

ETSI TS 123 216 V8.5.0 (2009-10)

Technical Specification

**Digital cellular telecommunications system (Phase 2+);
Universal Mobile Telecommunications System (UMTS);
LTE;
Single Radio Voice Call Continuity (SRVCC);
Stage 2
(3GPP TS 23.216 version 8.5.0 Release 8)**



Reference

RTS/TSGS-0223216v850

Keywords

GSM, LTE, UMTS

ETSI

650 Route des Lucioles
F-06921 Sophia Antipolis Cedex - FRANCE

Tel.: +33 4 92 94 42 00 Fax: +33 4 93 65 47 16

Siret N° 348 623 562 00017 - NAF 742 C
Association à but non lucratif enregistrée à la
Sous-Préfecture de Grasse (06) N° 7803/88

Important notice

Individual copies of the present document can be downloaded from:

<http://www.etsi.org>

The present document may be made available in more than one electronic version or in print. In any case of existing or perceived difference in contents between such versions, the reference version is the Portable Document Format (PDF). In case of dispute, the reference shall be the printing on ETSI printers of the PDF version kept on a specific network drive within ETSI Secretariat.

Users of the present document should be aware that the document may be subject to revision or change of status. Information on the current status of this and other ETSI documents is available at

<http://portal.etsi.org/tb/status/status.asp>

If you find errors in the present document, please send your comment to one of the following services:

http://portal.etsi.org/chaicor/ETSI_support.asp

Copyright Notification

No part may be reproduced except as authorized by written permission.
The copyright and the foregoing restriction extend to reproduction in all media.

© European Telecommunications Standards Institute 2009.
All rights reserved.

DECT[™], **PLUGTESTS**[™], **UMTS**[™], **TIPHON**[™], the TIPHON logo and the ETSI logo are Trade Marks of ETSI registered for the benefit of its Members.

3GPP[™] is a Trade Mark of ETSI registered for the benefit of its Members and of the 3GPP Organizational Partners.

LTE[™] is a Trade Mark of ETSI currently being registered

for the benefit of its Members and of the 3GPP Organizational Partners.

GSM[®] and the GSM logo are Trade Marks registered and owned by the GSM Association.

Intellectual Property Rights

IPRs essential or potentially essential to the present document may have been declared to ETSI. The information pertaining to these essential IPRs, if any, is publicly available for **ETSI members and non-members**, and can be found in ETSI SR 000 314: *"Intellectual Property Rights (IPRs); Essential, or potentially Essential, IPRs notified to ETSI in respect of ETSI standards"*, which is available from the ETSI Secretariat. Latest updates are available on the ETSI Web server (<http://webapp.etsi.org/IPR/home.asp>).

Pursuant to the ETSI IPR Policy, no investigation, including IPR searches, has been carried out by ETSI. No guarantee can be given as to the existence of other IPRs not referenced in ETSI SR 000 314 (or the updates on the ETSI Web server) which are, or may be, or may become, essential to the present document.

Foreword

This Technical Specification (TS) has been produced by ETSI 3rd Generation Partnership Project (3GPP).

The present document may refer to technical specifications or reports using their 3GPP identities, UMTS identities or GSM identities. These should be interpreted as being references to the corresponding ETSI deliverables.

The cross reference between GSM, UMTS, 3GPP and ETSI identities can be found under <http://webapp.etsi.org/key/queryform.asp>.

Contents

Intellectual Property Rights	2
Foreword.....	2
Foreword.....	5
1 Scope	6
2 References	6
3 Definitions and abbreviations.....	7
3.1 Definitions	7
3.3 Abbreviations	8
4 High level Principles and Concepts.....	8
4.1 High level Principles.....	8
4.1.1 Architectural Principles for 3GPP2 1xCS SRVCC.....	8
4.1.2 Architectural Principles for 3GPP UTRAN/GERAN SRVCC	8
4.2 Concepts	9
4.2.1 E-UTRAN and 3GPP2 1xCS SRVCC	9
4.2.2 E-UTRAN and 3GPP UTRAN/GERAN SRVCC	9
4.2.3 UTRAN (HSPA) to 3GPP UTRAN/GERAN SRVCC	10
5 Architecture model and reference points.....	11
5.1 General	11
5.2 Reference architecture	11
5.2.1 E-UTRAN and 3GPP2 1xCS SRVCC architecture	11
5.2.2 E-UTRAN and 3GPP UTRAN/GERAN SRVCC architecture.....	12
5.2.3 UTRAN (HSPA) and 3GPP UTRAN/GERAN SRVCC architecture.....	13
5.3 Functional Entities.....	13
5.3.1 3GPP2 1x CS SRVCC interworking solution function (1xCS IWS).....	13
5.3.2 MSC Server enhanced for E-UTRAN/UTRAN (HSPA) and 3GPP UTRAN/GERAN SRVCC	14
5.3.3 MME.....	14
5.3.3.1 Interworking with 3GPP2 1xCS IWS	14
5.3.3.2 Interworking with 3GPP MSC Server enhanced for SRVCC	14
5.3.3.2.1 Interworking with 3GPP MSC Server enhanced for SRVCC.....	14
5.3.3.2.2 PS bearer splitting function	14
5.3.3A SGSN	14
5.3.3A.1 Interworking with 3GPP MSC Server enhanced for SRVCC	14
5.3.3A.1.1 Interworking with 3GPP MSC Server enhanced for SRVCC.....	14
5.3.3A.1.2 PS bearer splitting function	15
5.3.4 UE enhanced for SRVCC	15
5.3.4.1 Interworking with 3GPP2 1xCS.....	15
5.3.4.2 Interworking with 3GPP UTRAN/GERAN	15
5.3.5 Serving/PDN GW	15
5.3.6 E-UTRAN.....	15
5.3.6.1 Interworking with 3GPP2 1xCS.....	15
5.3.6.2 Interworking with 3GPP UTRAN/GERAN	16
5.3.6A UTRAN (HSPA).....	16
5.3.7 HSS	16
5.3.7.1 Interworking with 3GPP UTRAN/GERAN	16
5.4 Reference points	16
5.4.1 MME – 3GPP2 1xCS IWS (S102).....	16
5.4.2 MME/SGSN – MSC Server (Sv)	16
5.4.3 E-UTRAN – MME (S1-MME).....	17
5.4.3A UTRAN (HSPA) – SGSN (Iu-ps).....	17
5.4.4 HSS – MME (S6a).....	17
5.4.5 HSS – SGSN (Gr).....	17
6 Procedures and flows.....	17

6.1	SRVCC from E-UTRAN to 3GPP2 1xCS	17
6.1.1	E-UTRAN Attach procedure for SRVCC.....	17
6.1.2	Service Request procedures for SRVCC	17
6.1.3	Call flows for SRVCC from E-UTRAN.....	17
6.2	E-UTRAN and 3GPP GERAN/UTRAN SRVCC.....	19
6.2.1	E-UTRAN Attach procedure for SRVCC.....	19
6.2.1A	Service Request procedures for SRVCC	20
6.2.2	Call flows for SRVCC from E-UTRAN.....	20
6.2.2.1	SRVCC from E-UTRAN to GERAN without DTM support.....	20
6.2.2.1A	SRVCC from E-UTRAN to GERAN with DTM but without DTM HO support.....	22
6.2.2.2	SRVCC from E-UTRAN to UTRAN or GERAN with DTM HO support	22
6.3	UTRAN (HSPA) and 3GPP GERAN/UTRAN SRVCC.....	26
6.3.1	GPRS Attach procedure for SRVCC	26
6.3.2	Call flows for SRVCC from UTRAN (HSPA).....	26
6.3.2.1	SRVCC from UTRAN (HSPA) to GERAN without DTM support.....	26
6.3.2.1a	SRVCC from UTRAN (HSPA) to GERAN with DTM but without DTM HO support	28
6.3.2.2	SRVCC from UTRAN (HSPA) to UTRAN or GERAN with DTM HO support	29
7	Charging.....	31
8	Handover Failure.....	31
8.1	Failure in EUTRAN/UTRAN (HSPA) and 3GPP UTRAN/GERAN SR-VCC	31
8.1.1	Failure before MSC Server initiates Session Transfer	31
8.1.2	Failure after UE receives HO command	31
8.1.3	Handover Cancellation	32
9	Security.....	32
9.1	Network Domain Security with 3GPP2 1xCS IWS	32
9.2	Network Domain Security with 3GPP UTRAN/GERAN MSC Server	32
Annex A (informative): Determination of Neighbour Cell List.....		33
A.1	SRVCC from E-UTRAN to 3GPP2 1xCS	33
A.2	SRVCC from E-UTRAN to GERAN/UTRAN.....	33
A.3	SRVCC from UTRAN (HSPA) to GERAN/UTRAN.....	33
Annex B (informative): Change history		34
History		36

Foreword

This Technical Specification has been produced by the 3rd Generation Partnership Project (3GPP).

The contents of the present document are subject to continuing work within the TSG and may change following formal TSG approval. Should the TSG modify the contents of the present document, it will be re-released by the TSG with an identifying change of release date and an increase in version number as follows:

Version x.y.z

where:

- x the first digit:
 - 1 presented to TSG for information;
 - 2 presented to TSG for approval;
 - 3 or greater indicates TSG approved document under change control.
- y the second digit is incremented for all changes of substance, i.e. technical enhancements, corrections, updates, etc.
- z the third digit is incremented when editorial only changes have been incorporated in the document.

1 Scope

The present document specifies the architecture enhancements for Single Radio Voice Call Continuity (SRVCC) between E-UTRAN access and 3GPP2's 1xCS, and between E-UTRAN access and 3GPP's UTRAN/GERAN accesses and between UTRAN (HSPA) access and 3GPP's UTRAN/GERAN accesses, for Circuit Switched (CS) calls that are anchored in the IMS.

This document will not describe 3GPP2 functional entities. However, interfaces between both 3GPP and 3GPP2 functional entities are described in this specification.

SRVCC from E-UTRAN access to 3GPP2 1xCS is covered in this specification. Handling of non-voice component and SRVCC from 3GPP2 1xCS to E-UTRAN direction is not specified in this release.

SRVCC from E-UTRAN/UTRAN (HSPA) access to 3GPP UTRAN/GERAN CS accesses for voice calls that are anchored in the IMS, as well as the coordination between the SRVCC for voice call and the handover of non-voice PS bearers, are covered in this specification. The handover of non-voice PS bearer from E-UTRAN is specified by the procedures defined in TS 23.401 [2], TS 23.060 [10], TS 25.413 [11] and TS 43.129 [12]. The handover of non voice PS bearer from UTRAN (HSPA) is specified by the procedures defined in TS 23.060 [10], TS 25.413 [11] and TS 43.129 [12]. Handling of SRVCC from 3GPP UTRAN/GERAN CS accesses to E-UTRAN/UTRAN (HSPA) direction is not specified in this release.

2 References

The following documents contain provisions which, through reference in this text, constitute provisions of the present document.

- References are either specific (identified by date of publication, edition number, version number, etc.) or non-specific.
- For a specific reference, subsequent revisions do not apply.
- For a non-specific reference, the latest version applies. In the case of a reference to a 3GPP document (including a GSM document), a non-specific reference implicitly refers to the latest version of that document *in the same Release as the present document*.

- [1] 3GPP TR 21.905: "Vocabulary for 3GPP Specifications".
- [2] 3GPP TS 23.401: "GPRS enhancements for E-UTRAN access".
- [3] 3GPP TS 23.402 "Architecture enhancements for non-3GPP accesses".
- [4] 3GPP2 X.S0042-0: "Voice Call Continuity between IMS and Circuit Switched System".
- [5] ITU-T Recommendation I.130: "Method for the characterization of telecommunication services supported by an ISDN and network capabilities of an ISDN".
- [6] ITU-T Recommendation Q.65: "Methodology - Stage 2 of the method for the characterisation of services supported by an ISDN".
- [7] 3GPP TR 36.938: "Improved Network Controlled Mobility between E-UTRAN and 3GPP2/Mobile WiMAX Radio Technologies".
- [8] 3GPP2 A.S0008-C: "Interoperability Specification (IOS) for High Rate Packet Data (HRPD) Radio Access Network Interfaces with Session Control in the Access Network".
- [9] 3GPP TS 22.278: "Service requirements for the Evolved Packet System (EPS)".
- [10] 3GPP TS 23.060: "General Packet Radio Service (GPRS); Service description; Stage 2".
- [11] 3GPP TS 25.413: "UTRAN Iu interface Radio Access Network Application Part (RANAP) signalling".

- [12] 3GPP TS 43.129: "Packet-switched handover for GERAN A/Gb mode; Stage 2".
- [13] 3GPP TS 23.292: "IP Multimedia Subsystem (IMS) Centralized Services: Stage 2".
- [14] 3GPP TS 23.237: "IP Multimedia Subsystem (IMS) Service Continuity: Stage 2".
- [15] 3GPP TS 23.002: "Network Architecture".
- [16] 3GPP TS 36.300: "Evolved Universal Terrestrial Radio Access (E-UTRA) and Evolved Universal Terrestrial Radio Access Network (E-UTRAN); Overall description; Stage 2".
- [17] Void.
- [18] 3GPP TS 23.009: "Handover procedures".
- [19] 3GPP TS 25.331: "Radio Resource Control (RRC) protocol specification".
- [20] 3GPP2 A.S0014: "Interoperability Specification (IOS) for cdma2000 Access Network Interfaces".
- [21] 3GPP TS 33.210: "3G Security; Network Domain Security; IP network layer security".
- [22] 3GPP TS 33.401: "3GPP System Architecture Evolution (SAE): Security architecture".
- [23] 3GPP TS 48.008: "Mobile Switching Centre - Base Station System (MSC-BSS) interface; Layer 3 specification".
- [24] 3GPP TS 48.018: "General Packet Radio Service (GPRS); Base Station System (BSS) - Serving GPRS Support Node (SGSN); BSS GPRS Protocol (BSSGP)".
- [25] 3GPP TS 33.102: "3G Security; Security architecture".
- [26] 3GPP TS 22.173: "IP Multimedia Core Network Subsystem (IMS) Multimedia Telephony Service and supplementary services".
- [27] 3GPP TS 23.003: "Numbering, addressing and identification".

3 Definitions and abbreviations

3.1 Definitions

For the purposes of the present document, the terms and definitions given in TR 21.905 [1] and the following apply. A term defined in the present document takes precedence over the definition of the same term, if any, in TR 21.905 [1].

1xCS: The 3GPP2 legacy circuit switched signalling system as defined in 3GPP2 X.S0042-0 [4].

3GPP SRVCC UE: A 3GPP SRVCC UE is a UE enhanced for IMS Service Continuity with the additional UE capabilities described in this specification for SRVCC between E-UTRAN and 3GPP UTRAN and / or between E-UTRAN and 3GPP GERAN and / or between UTRAN (HSPA) and 3GPP UTRAN and 3GPP GERAN.

Single Radio Voice Call Continuity: Voice call continuity between IMS over PS access and CS access for calls that are anchored in IMS when the UE is capable of transmitting/receiving on only one of those access networks at a given time.

Session Transfer Number for SR-VCC (STN-SR): see TS 23.237 [14].

Correlation MSISDN: An MSISDN used for correlation of sessions. See TS 23.003 [14] for more information.

3.3 Abbreviations

For the purposes of the present document, the abbreviations given in TR 21.905 [1] and the following apply. An abbreviation defined in the present document takes precedence over the definition of the same abbreviation, if any, in TR 21.905 [1].

SRVCC	Single Radio Voice Call Continuity
1xCS IWS	Single Radio Voice Call Continuity Interworking solution Function for 3GPP2 1xCS
SAI	Serving Area Identity as defined in TS 25.413 [11]
C-MSISDN	Correlation MSISDN

4 High level Principles and Concepts

4.1 High level Principles

4.1.1 Architectural Principles for 3GPP2 1xCS SRVCC

The solution for SRVCC fulfils the requirements of TS 22.278 [9] and the following architectural principles:

1. The solution shall allow coexistence and be compatible with the 1xCS procedures specified in the 3GPP2 VCC specification, X.S0042 [4].
2. The solution shall not require UE with multiple RATs capability to simultaneously signal on two different RATs.
3. The solution shall be transparent to E-UTRA only terminal or network.
4. The solution shall minimize the coupling between the E-UTRAN and the 3GPP2 access. In particular, the solution shall allow the cdma2000 1xRTT specification to evolve without necessitating a modification to the E-UTRAN specifications.
5. RAT change and domain selection should be under network control.
6. In roaming cases, the Visited PLMN should control the RAT change and/or domain selection while taking into account any related HPLMN policies.
7. The solution shall not impact cdma2000 RAT.
8. The solution shall not impact cdma2000 CS CN.

4.1.2 Architectural Principles for 3GPP UTRAN/GERAN SRVCC

The solution for SRVCC fulfils the requirements of TS 22.278 [9] and the following architectural principles:

1. The solution shall allow coexistence and be compatible with TS 23.292 [13] and TS 23.237 [14].
2. The solution shall not require UE with multiple RATs capability to simultaneously signal on two different RATs.
3. RAT change and domain selection should be under network control.
4. E-UTRAN/UTRAN (HSPA) to UTRAN/GERAN handover for SRVCC is triggered by the same radio handover conditions and mechanisms as for an E-UTRAN/UTRAN (HSPA) to UTRAN/GERAN PS handover.

NOTE: The UE may have multiple voice media streams that are carried over multiple voice (e.g. QCI=1) bearers or are multiplexed over a single voice bearer. Only one of these voice streams is selected for SRVCC by the SCC AS (see TS 23.237 [14]).

4.2 Concepts

4.2.1 E-UTRAN and 3GPP2 1xCS SRVCC

For SRVCC-capable UEs, the call is always anchored at the VCC AS in the 3GPP2's IMS. The 3GPP2 1xCS IWS enables a single radio UE to communicate in parallel both with the source system and the target system. From VCC perspective, this mechanism minimizes the voice gap by supporting the transport of signalling for establishment of the target CS access leg while the terminal is connected to the source PS access network.

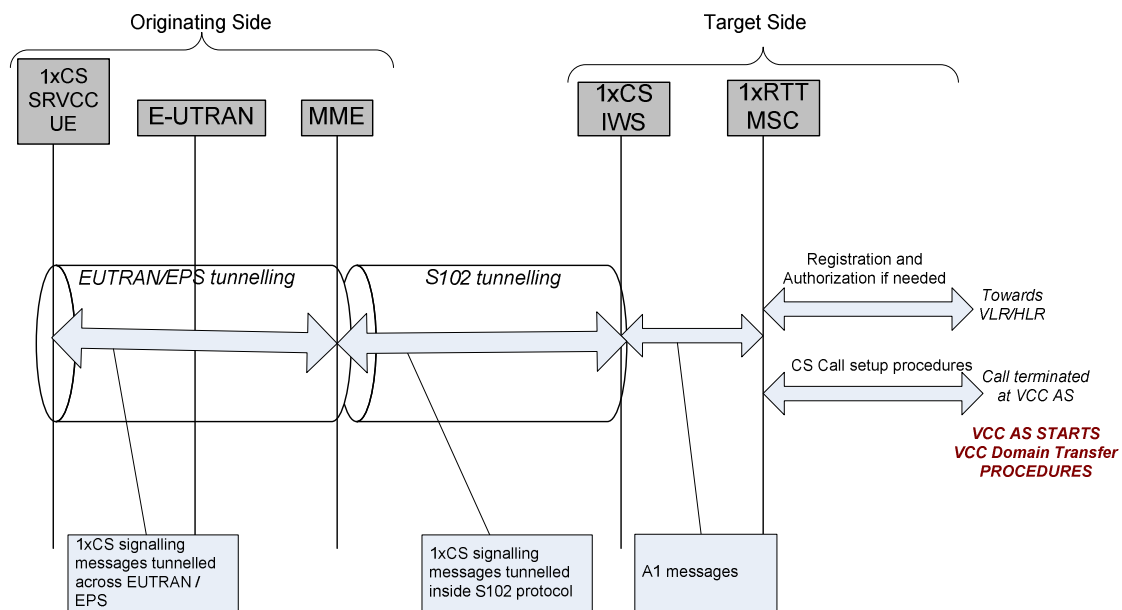


Figure 4.2.1-1: Transport of 3GPP2 1xCS signalling messages for preparation of the CS access leg in the target system

The S102 reference point is used to convey 3GPP2 1xCS signalling messages between the MME and 3GPP2 1xCS IWS. These 1x CS signalling messages are actually exchanged between the UE and the 3GPP2 1xCS IWS, and S102 is only one link in the overall UE-1xCS IWS tunnelling path. On the remaining portion of the tunnelling path, the 3GPP2 1xCS signalling messages are encapsulated in E-UTRAN/EPS tunnelling messages (UE-MME).

4.2.2 E-UTRAN and 3GPP UTRAN/GERAN SRVCC

For facilitating session transfer (SRVCC) of the voice component to the CS domain, the IMS multimedia telephony sessions needs to be anchored in the IMS.

For SRVCC from E-UTRAN to UTRAN/GERAN, MME first receives the handover request from E-UTRAN with the indication that this is for SRVCC handling, and then triggers the SRVCC procedure with the MSC Server enhanced with SRVCC via the Sv reference point if MME has SRVCC STN-SR information for this UE. MSC Server enhanced for SRVCC then initiates the session transfer procedure to IMS and coordinates it with the CS handover procedure to the target cell. MSC Server enhanced for SRVCC then sends PS-CS handover Response to MME, which includes the necessary CS HO command information for the UE to access the UTRAN/GERAN.

Handling of any non-voice PS bearer is done by the PS bearer splitting function in the MME. MME starts the handover of non-voice PS bearer during SRVCC procedure based on the information received from E-UTRAN. The handover of non-voice PS bearer(s), if performed, is done as according to Inter RAT handover procedure as defined in TS 23.401 [2]. The MME is responsible to coordinate the Forward Relocation Response from SRVCC and PS-PS handover procedure.

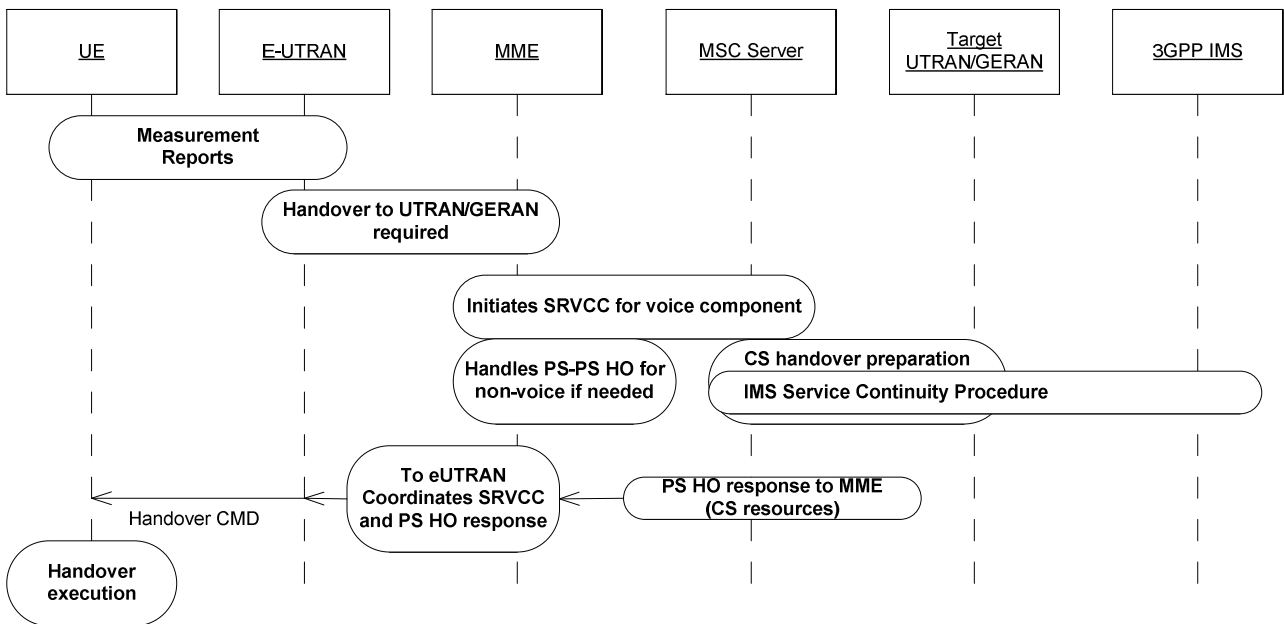


Figure 4.2.2-1: Overall high level concepts for SRVCC from E-UTRAN to UTRAN/GERAN

4.2.3 UTRAN (HSPA) to 3GPP UTRAN/GERAN SRVCC

For facilitating session transfer (SRVCC) of the voice component to the CS domain, the IMS multimedia telephony sessions needs to be anchored in the IMS.

For SRVCC from UTRAN (HSPA) to UTRAN/GERAN, SGSN first receives the handover request from UTRAN (HSPA) with the indication that this is for SRVCC handling, and then triggers the SRVCC procedure with the MSC Server enhanced with SRVCC via the Sv if SGSN has STN-SR information for this UE. MSC Server enhanced for SRVCC then initiates the session transfer procedure to IMS and coordinates it with the CS handover procedure to the target cell. MSC Server enhanced for SRVCC then sends PS-CS handover Response to SGSN, which includes the necessary CS HO command information for the UE to access the UTRAN/GERAN.

Handling of any non voice PS bearer is done by the PS bearer splitting function in the SGSN. SGSN starts the handover of non voice PS bearer during SRVCC procedure based on the information received from UTRAN (HSPA). The handover of non voice PS bearer(s), if performed, is done as according to Inter/Intra RAT handover procedure as defined in TS 23.060 [10] and TS 25.413 [11]. The SGSN is responsible to coordinate the Forward Relocation Response from SRVCC and PS-PS handover procedure.

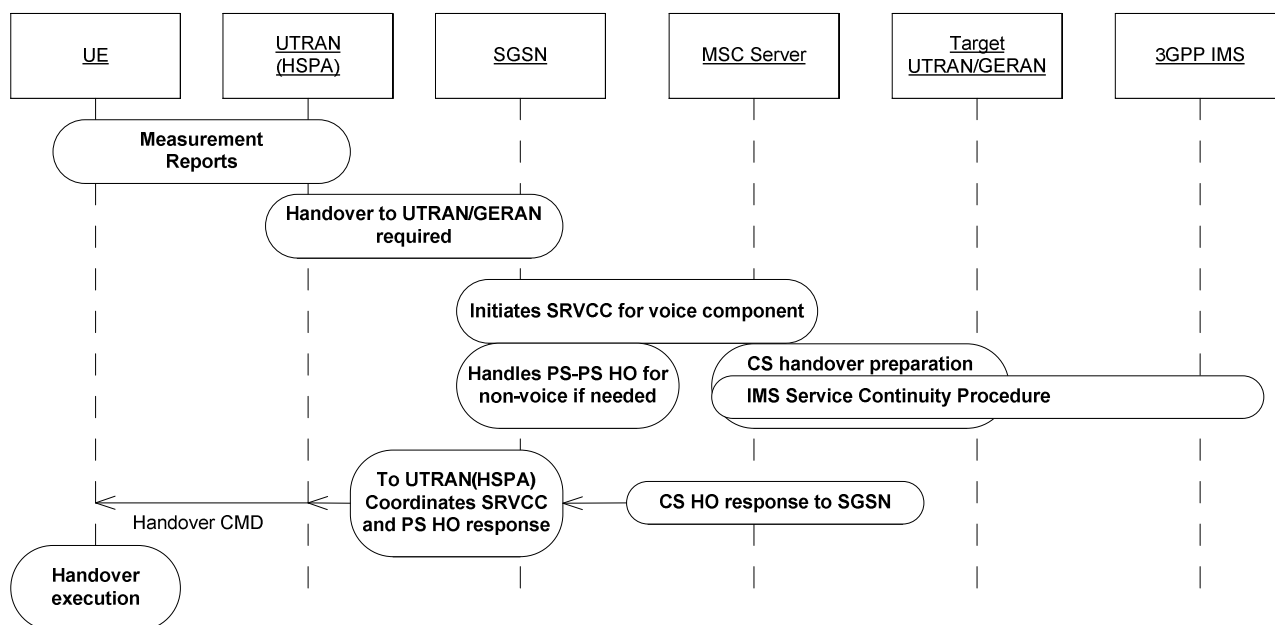


Figure 4.2.3-1: Overall high level concepts for SRVCC from UTRAN (HSPA) to UTRAN/GERAN

5 Architecture model and reference points

5.1 General

The SRVCC Architecture for 3GPP2 1xCS reuses many existing elements in 3GPP2 X.S0042 [4] for 3GPP2 1xCS.

The SRVCC Architecture for 3GPP UTRAN/GERAN reuses the session transfer function defined for IMS in TS 23.237 [14] for IMS service continuity.

The overall model and impacts to the various elements is provided in the following clauses.

5.2 Reference architecture

5.2.1 E-UTRAN and 3GPP2 1xCS SRVCC architecture

This specification introduces an additional functional entity to those defined in the E-UTRAN architecture TS 23.402 [3], called 1x CS SRVCC interworking solution function (3GPP2 1xCS IWS), see figure 5.2.1-1.

NOTE: The figure only shows the necessary components related to 3GPP2 1xCS IWS.

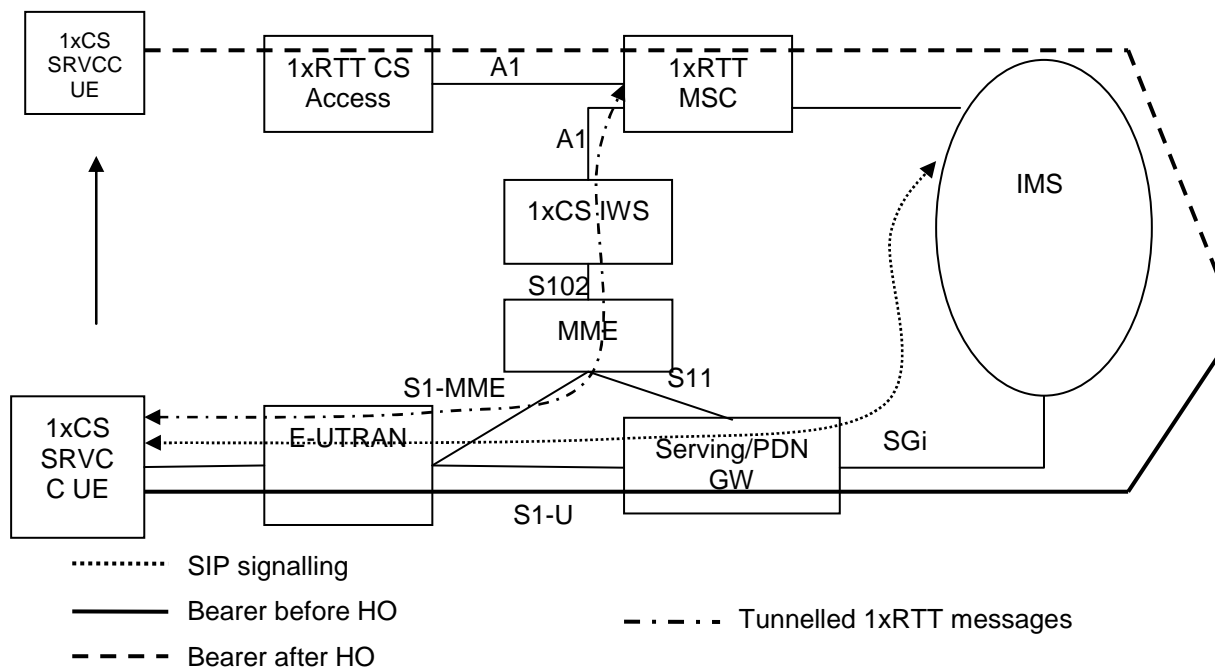
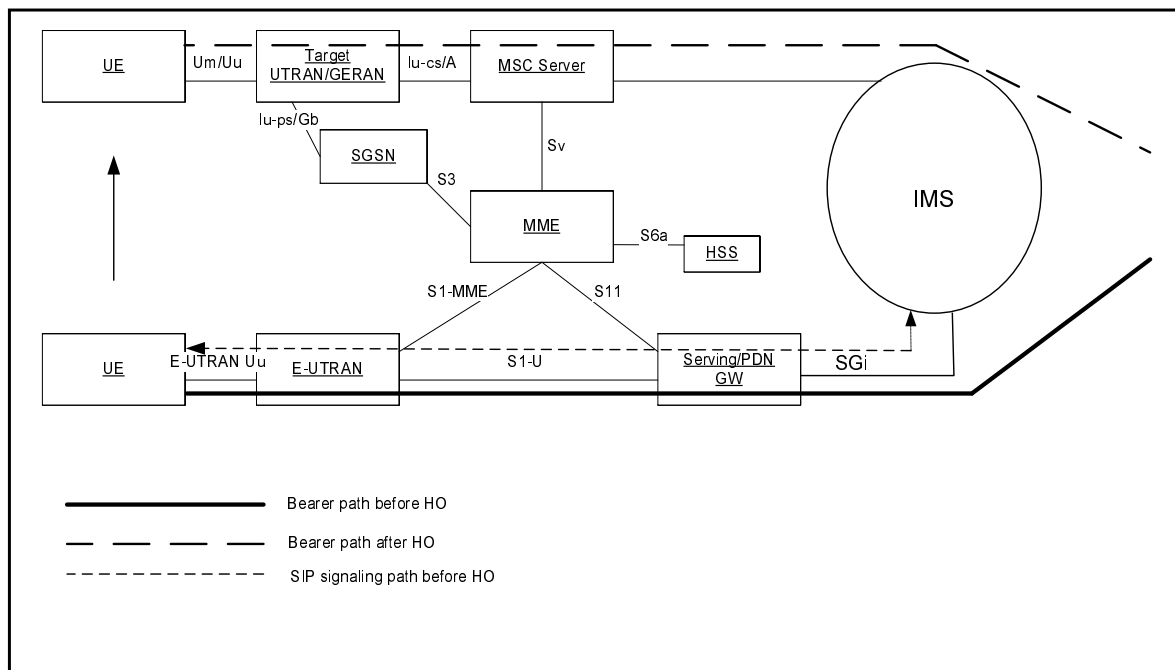


Figure 5.2.1-1: SRVCC architecture for E-UTRAN to 3GPP2 1xCS

5.2.2 E-UTRAN and 3GPP UTRAN/GERAN SRVCC architecture

This specification introduces an additional function to those defined in the E-UTRAN architecture TS 23.401 [2] for SRVCC. This additional function is provided by the MSC Server (i.e., MSC Server enhanced for SRVCC).

NOTE 1: The following figure only shows the necessary components related to MSC Server enhanced with SRVCC.



NOTE 2: MSC Server shown in the figure is enhanced for SRVCC.

NOTE 3: This architecture also applies to roaming scenario (i.e., S8, S6a are not impacted due to SRVCC).

NOTE 4: The MSC server enhanced with SRVCC may not be the final target MSC which connects to the target cell.

Figure 5.2.2-1: SRVCC architecture for E-UTRAN to 3GPP UTRAN/GERAN

5.2.3 UTRAN (HSPA) and 3GPP UTRAN/GERAN SRVCC architecture

This specification introduces an additional function to those defined in the UTRAN architecture TS 23.060 [10] for SRVCC. This additional function is provided by the MSC Server (i.e., MSC Server enhanced for SRVCC).

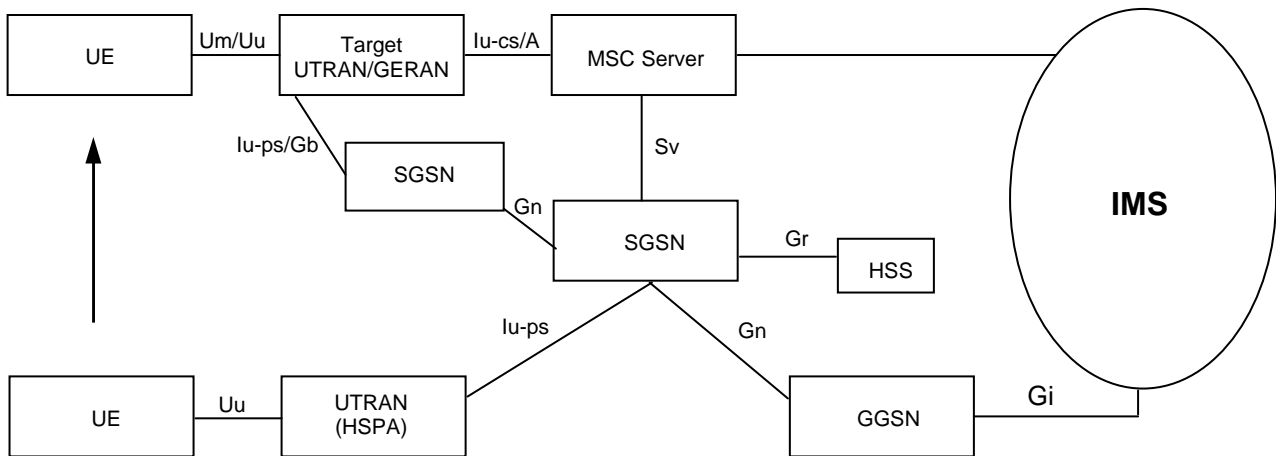
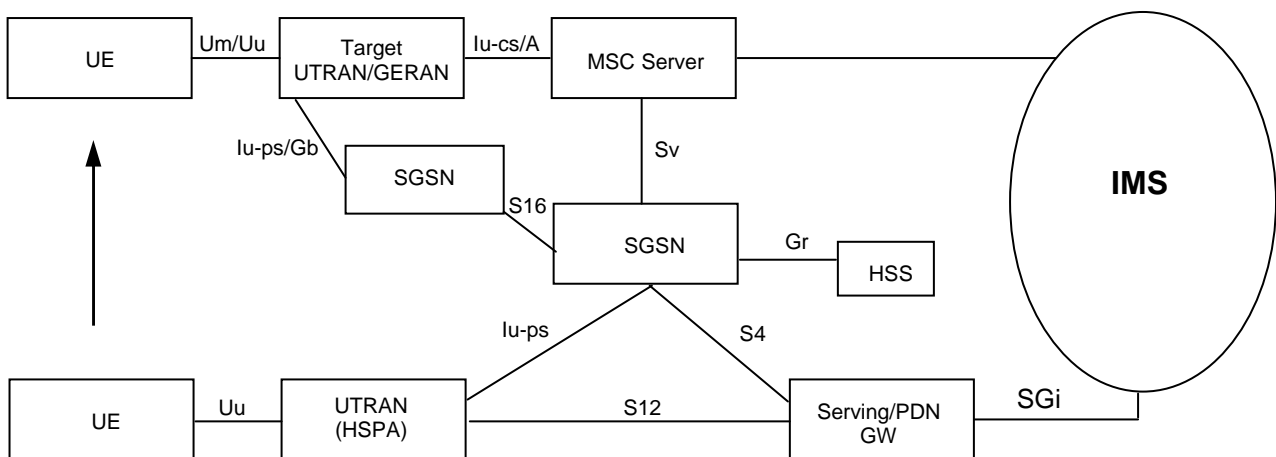


Figure 5.2.3-1: SRVCC architecture for UTRAN (HSPA) to 3GPP UTRAN/GERAN with Gn based SGSN



- NOTE 1: The above figures only show the necessary components related to MSC Server enhanced with SRVCC.
- NOTE 2: MSC Server shown in the above figures are enhanced for SRVCC.
- NOTE 3: This architecture also applies to roaming scenario.
- NOTE 4: The MSC server enhanced with SRVCC may not be the final target MSC which connects to the target cell.

Figure 5.2.3-2: SRVCC architecture for UTRAN (HSPA) to 3GPP UTRAN/GERAN with S4 based SGSN

5.3 Functional Entities

NOTE 1: 3GPP2 components are not described here. Please refer to 3GPP2 X.S0042 [4].

NOTE 2: IMS components are not described here. Please refer to TS 23.237 [14] and TS 23.292 [13].

5.3.1 3GPP2 1x CS SRVCC interworking solution function (1xCS IWS)

3GPP2 1xCS IWS uses the S102 reference point to communicate with the MME and to transport 3GPP2 1xCS signalling messages to the SRVCC UE. The role of the 3GPP2 1xCS IWS is:

- To be a signalling tunnelling end point towards the MME for receiving/sending encapsulated 3GPP2 1xCS signalling messages to/from the UE; and
- To emulate a 1xRTT BSS towards the 1xRTT MSC (reference point A1 as defined in 3GPP2 A.S0014 [20] between 1xBS and MSC).

5.3.2 MSC Server enhanced for E-UTRAN/UTRAN (HSPA) and 3GPP UTRAN/GERAN SRVCC

In addition to the standard MSC Server behavior defined in TS 23.002 [15], an MSC Server which has been enhanced for SRVCC provides the following functions as needed for support of SRVCC:

- Handling the Relocation Preparation procedure requested for the voice component from MME/SGSN via Sv reference point;
- Invoking the session transfer procedure from IMS to CS as according to TS 23.237 [14];
- Coordinating the CS Handover and session transfer procedures;
- Handling the MAP_Update_Location procedure without it being triggered from the UE.

5.3.3 MME

5.3.3.1 Interworking with 3GPP2 1xCS IWS

If the MME (operator) supports interworking to 3GPP2 1xCS, the MME shall follow the rules and procedures described in TS 23.402 [3] with the following additions and clarifications:

- To be a signalling tunnelling end point towards the 3GPP2 1xCS IWS for sending/receiving encapsulated 3GPP2 1xCS signalling messages to/from the UE, which are encapsulated in S1-MME S1 Information Transfer messages (TR 36.938 [7]).
- release of the E-UTRAN resources after SRVCC to the 3GPP2 1xCS is completed.

5.3.3.2 Interworking with 3GPP MSC Server enhanced for SRVCC

5.3.3.2.1 Interworking with 3GPP MSC Server enhanced for SRVCC

If the MME (operator) supports the interworking to 3GPP CS, the MME shall follow the rules and procedures described in TS 23.401 [2] with the following additions and clarifications:

- Performing the PS bearer splitting function by separating the voice PS bearer from the non-voice PS bearers.
- Handling the non-voice PS bearers handover with the target cell as according to Inter RAT handover procedure as defined in TS 23.401 [2].
- Initiating the SRVCC handover procedure for handover of the voice component to the target cell via the Sv interface. This procedure is only triggered once regardless of the number of voice bearers (i.e. QCI=1) that are in use by the UE..
- Coordinating PS handover and SRVCC handover procedures when both procedures are performed,

5.3.3.2.2 PS bearer splitting function

The function identifies the voice PS bearer upon E-UTRAN to UTRAN/GERAN SRVCC and performs different handling of these bearers from the non-voice PS bearers (see detailed procedures in subsequent clauses).

5.3.3A SGSN

5.3.3A.1 Interworking with 3GPP MSC Server enhanced for SRVCC

5.3.3A.1.1 Interworking with 3GPP MSC Server enhanced for SRVCC

If the SGSN (operator) supports the interworking to 3GPP CS, the SGSN shall follow the rules and procedures described in TS 23.060 [10] with the following additions and clarifications:

- Performing the PS bearer splitting function by separating the voice PS bearer from the non-voice PS bearers. VoIP is detected by traffic class=conversational and SSD='speech'.
- Handling the non-voice PS bearers handover with the target cell as according to Inter/Intra RAT handover procedure as defined in TS 23.060 [10].
- Initiating the SRVCC handover procedure for handover of the voice component to the target cell via the Sv interface. This process is only triggered once regardless of the number of PS voice bearers (i.e. SSD='speech') that are in use by the UE..
- Coordinating PS handover and SRVCC handover procedures when both procedures are performed.

5.3.3A.1.2 PS bearer splitting function

The function identifies the voice PS bearer upon HSPA to UTRAN/GERAN SRVCC and performs different handling on these bearers from the non-voice PS bearers (see detailed procedures in subsequent clauses).

5.3.4 UE enhanced for SRVCC

5.3.4.1 Interworking with 3GPP2 1xCS

If the UE supports 3GPP2 1xCS access, the 1xCS SRVCC UE is a UE that is capable to perform SRVCC to the 3GPP2 1xCS system. The interaction between UE and E-UTRAN is described in TR 36.938 [7]. The interaction with the 3GPP2 1xCS system is described in this specification.

5.3.4.2 Interworking with 3GPP UTRAN/GERAN

3GPP SRVCC UE is needed to perform SRVCC (see clause 3.1 for 3GPP SRVCC UE definition). The interaction between UE and E-UTRAN is described in TS 36.300 [16] and between UE and UTRAN (HSPA) is described in TS 25.331 [19].

3GPP SRVCC UE shall support UE assisted T-ADS functionality as described in clause 7.4.1.3 of TS 23.292 [13] for selecting the CS domain for terminating voice calls.

The SRVCC UE indicates to the network that the UE is SRVCC capable when being configured for using IMS speech service supported by the home operator, e.g. the IMS Multimedia Telephony Service for bi-directional speech as described in TS 22.173 [26] and the operator policy on the SRVCC UE as specified in TS 23.237 [14] does not restrict the session transfer.

5.3.5 Serving/PDN GW

No additional requirement due to SRVCC.

5.3.6 E-UTRAN

5.3.6.1 Interworking with 3GPP2 1xCS

If the E-UTRAN (operator) supports interworking to 3GPP2 1xCS, the E-UTRAN performs the HO trigger, tunnelling of the 3GPP2 1xCS signalling messages toward the MME, and interacting with the SRVCC UE as described in TR 36.938 [7].

E-UTRAN may be capable of determining the neighbour cell list based on the "SRVCC operation possible" indication and/or presence of established QCI=1 bearers for a specific UE. An example algorithm is provided in clause A.1.

NOTE: If E-UTRAN does not update the neighbour cell list dynamically, if E-UTRAN triggers handover to 1x when either the "SRVCC operation possible" indication is set to "false" or there are no established QCI=1 bearers for a specific UE, this will result in an error case.

5.3.6.2 Interworking with 3GPP UTRAN/GERAN

Between UE and E-UTRAN, no additional functionality is required for the E-UTRAN as defined in TS 36.300 [16].

When E-UTRAN selects a target cell for SRVCC handover, it needs to send an indication to MME that this handover procedure requires SRVCC

E-UTRAN may be capable of determining the neighbour cell list based on the "SRVCC operation possible" indication and/or presence of established QCI=1 bearers for a specific UE. An example algorithm is provided in clause A.2.

NOTE: In case E-UTRAN does not update the neighbour cell list dynamically, if E-UTRAN triggers handover to a VoIP-incapable cell when the "SRVCC operation possible" indication is set to "false" and there are established voice (QCI=1) bearers for a specific UE, the establishment of the voice bearers will be rejected by the target access.

5.3.6A UTRAN (HSPA)

When HSPA capable UTRAN selects a target cell for SRVCC handover, it needs to send an indication to SGSN that this handover procedure requires SRVCC.

NOTE 1: UTRAN (HSPA) assumes that SGSN supports SRVCC functionality.

UTRAN may be capable of determining the neighbour cell list based on the "SRVCC operation possible" indication and/or presence of established voice bearers (i.e. bearers with Traffic Class = Conversational and Source Statistic Descriptor = 'speech') for a specific UE. An example algorithm is provided in clause A.3.

NOTE 2: In case UTRAN does not update the neighbour cell list dynamically, if UTRAN triggers handover to a VoIP-incapable cell when the "SRVCC operation possible" indication is set to "false" and there are established bearers with Traffic Class = Conversational and Source Statistic Descriptor = 'speech' for a specific UE, the establishment of the voice bearers will be rejected by the target access.

5.3.7 HSS

5.3.7.1 Interworking with 3GPP UTRAN/GERAN

The SRVCC STN-SR and C-MSISDN are downloaded to MME from HSS during E-UTRAN attach procedure. For UTRAN (HSPA), the STN-SR and C-MSISDN are downloaded to SGSN from HSS during GPRS attach procedure. HSS also informs the MME/SGSN when STN-SR is modified or removed from the subscription.

NOTE: HSS functionality is not impacted when MSC Server enhanced with SRVCC performs the MAP_Update_Location procedure.

5.4 Reference points

5.4.1 MME – 3GPP2 1xCS IWS (S102)

The S102 reference point provides a tunnel between MME and 3GPP2 1xCS IWS to relay 3GPP2 1xCS signalling messages. 1x CS signalling messages are those messages that are defined for A21 interface as described in 3GPP2 A.S0008-C [8].

NOTE: It is up to stage 3 to determine whether the tunnelling protocol for S102 can be defined as exactly as in A21. If so, S102 is then equivalent to A21.

5.4.2 MME/SGSN – MSC Server (Sv)

The Sv reference point provides SRVCC support between 3GPP E-UTRAN/UTRAN (HSPA) and 3GPP UTRAN/GERAN.

5.4.3 E-UTRAN – MME (S1-MME)

For 3GPP2 1xCS SRVCC, the S1-MME reference point provides S1 Information Transfer message (TR 36.938 [7]) between UE and MME to relay the 3GPP2 1xCS signalling messages.

For 3GPP SRVCC, the S1-MME reference point allows handover signalling between E-UTRAN and MME. It is defined in TS 36.300 [16]

5.4.3A UTRAN (HSPA) – SGSN (Iu-ps)

For 3GPP HSPA SRVCC, the Iu-ps reference point allows handover signalling between UTRAN and SGSN. It is defined in TS 25.413 [11].

5.4.4 HSS – MME (S6a)

For 3GPP SRVCC, the S6a is used to download SRVCC related information to MME during E-UTRAN attach procedure or to inform MME that STN-SR information in the HSS has changed.

5.4.5 HSS – SGSN (Gr)

For 3GPP SRVCC, the Gr is used to download SRVCC related information to SGSN during UTRAN (HSPA) attach procedure or to inform SGSN that STN-SR information in the HSS has changed.

6 Procedures and flows

6.1 SRVCC from E-UTRAN to 3GPP2 1xCS

6.1.1 E-UTRAN Attach procedure for SRVCC

E-UTRAN attach procedure for 3GPP2 SRVCC UE is performed as defined in TS 23.401 [2] with the following additions:

- SRVCC UE includes the SRVCC capability indication as part of the UE network capability in the Attach Request message. MME stores this information for SRVCC operation.
- MME includes a "SRVCC operation possible" indication in the S1 AP Initial Context Setup Request, meaning that both UE and MME are SRVCC-capable.

6.1.2 Service Request procedures for SRVCC

Service Request procedures for 3GPP2 SRVCC UE are performed as defined in TS 23.401 [2] with the following additions:

- MME includes a "SRVCC operation possible" indication in the S1 AP Initial Context Setup Request, meaning that both UE and MME are SRVCC-capable.

6.1.3 Call flows for SRVCC from E-UTRAN

Figure 6.1.3-1 illustrates a high-level call flow for the E-UTRAN-to-1x voice service continuity procedure.

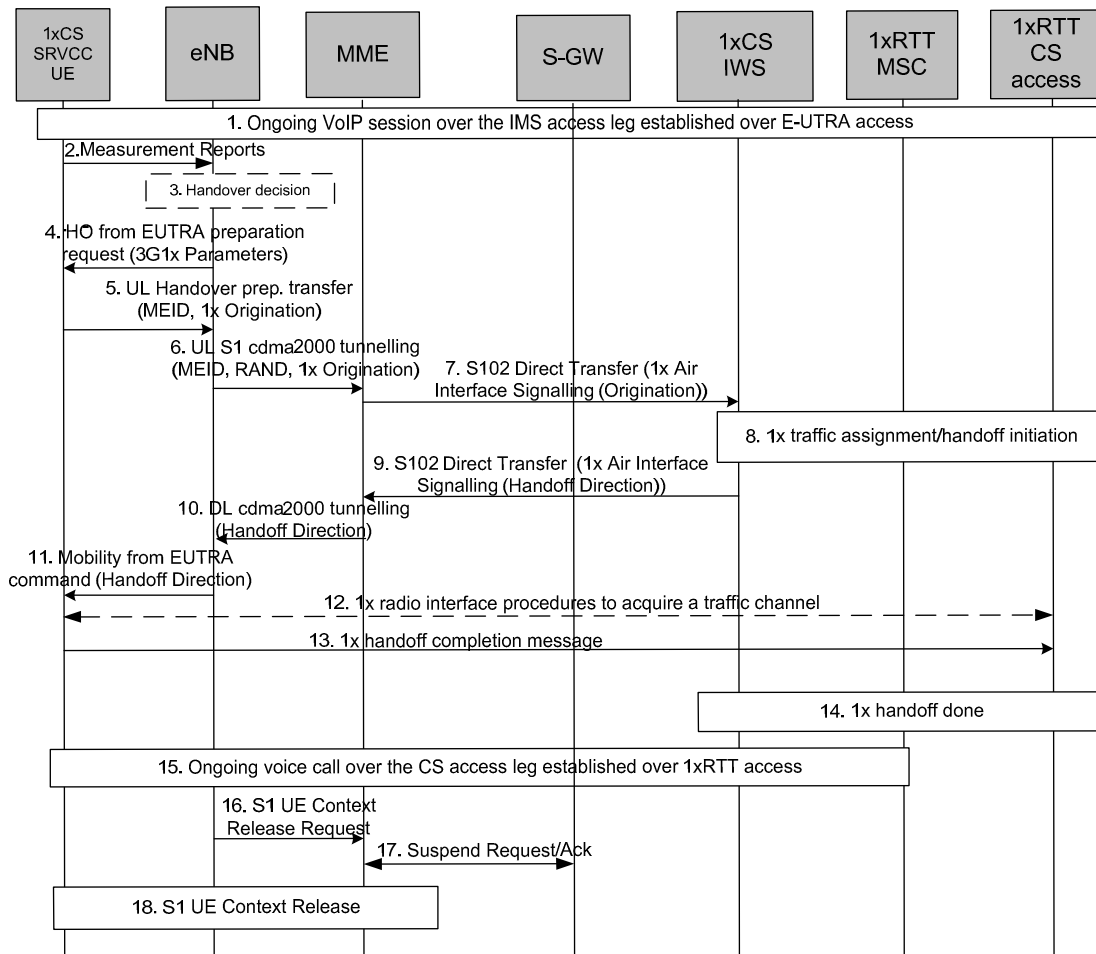


Figure 6.1.3-1: LTE VoIP-to-1x CS voice service continuity

1. Ongoing VoIP session over the IMS access leg established over EPS/E-UTRAN access.
2. 1xCs SRVCC UE sends measurement reports to eNodeB.
3. The E-UTRAN (e.g., based on some trigger, measurement reports) makes a determination to initiate an inter-technology handover to cdma2000 1xRTT.
4. The E-UTRAN signals the UE to perform an inter-technology handover by sending a Handover from EUTRA Preparation Request (3G1x Overhead Parameters, RAND value) message.
5. The UE initiates signalling for establishment of the CS access leg by sending a UL handover preparation message containing the 1xRTT Origination message.
6. The E-UTRAN sends an Uplink S1 cdma2000 Tunnelling (MEID, RAND, 1x Origination, Reference CellID) message to the MME. The eNodeB will also include CDMA2000 HO Required Indication IE to Uplink S1 CDMA2000 Tunnelling message, which indicates to the MME that the handover preparation has started.
7. Upon reception of the Uplink S1 cdma2000 Tunnelling message, the MME selects a 3GPP2 1xCs IWS based on Reference CellID and encapsulates the 1x Origination Message along with the MEID and RAND in a S102 Direct Transfer message (as "1x Air Interface Signalling").
8. The traffic channel resources are established in the 1x RTT system and 3GPP2 1xCs procedures for initiation of Session Transfer are performed as per 3GPP2 X.S0042 [4].

NOTE 1: Step 9 and 3GPP2 1xCs procedures in step 8 are independent of each other.

NOTE 2: The "VDN" parameter referred to in 3GPP2 X.S0042 [4] corresponds to the STN-SR parameter defined in TS 23.237 [14].

9. The 3GPP2 1xCS IWS creates a 1x message and encapsulates it in a S102 Direct Transfer message (1x , Handover indication). If the 3GPP2 access was able to allocate resources successfully, the 1x message is a 1x Handover Direction message and the handover indicator indicates successful resource allocation. Otherwise, the handover indicator indicates to the MME that handover preparation failed and the embedded 1x message indicates the failure to the UE.
10. The MME sends the 1x message and CDMA2000 HO Status IE in a Downlink S1 cdma2000 Tunnelling message to the E-UTRAN. The CDMA2000 HO Status IE is set according to the handover indicator received over the S102 tunnel.
11. If the CDMA2000 HO Status IE indicates successful handover preparation, the E-UTRAN forwards the 1x Handoff Direction message embedded in a Mobility from EUTRA Command message to the UE. This is perceived by the UE as a Handover Command message. If handover preparation failed, DL Information transfer message will be sent instead, with the embedded 1xRTT message that indicates the failure to the UE.
12. Once the UE receives the traffic channel information from the cdma2000 1xRTT system, the UE retunes to the 1xRTT radio access network and performs traffic channel acquisition with the 1xRTT CS access (e.g., 1xRTT BSS).
13. The UE sends a 1xRTT handoff completion message to the 1xRTT CS access (e.g., 1xRTT BSS).
14. The 1xRTT CS Access sends message to 1xRTT MSC to indicate of handoff done. The resources between 1x CS IWS and 1xRTT MSC may be released at this step.
15. Ongoing voice call over the CS access leg established over 1xRTT access. The E-UTRAN/EPS context may be released based on the normal E-UTRAN/EPS procedure.
16. The eNodeB sends an S1 UE Context Release Request (Cause) message to the MME. Cause indicates the S1 release procedure is caused by handover from E-UTRAN to 1xRTT.
17. The MME exchanges Suspend Request/ Acknowledge messages with the Serving GW. The S1-U bearers are released for all EPS bearers and the GBR bearers are deactivated by the MME. The non-GBR bearers are preserved and are marked as suspended in the S-GW. Upon receipt of downlink data the S-GW should not send a downlink data notification message to the MME.
18. S1 UE Context in the eNodeB is released as specified in TS 23.401 [2].

6.2 E-UTRAN and 3GPP GERAN/UTRAN SRVCC

6.2.1 E-UTRAN Attach procedure for SRVCC

E-UTRAN attach procedure for 3GPP SRVCC UE is performed as defined in TS 23.401 [2] with the following additions:

- SRVCC UE includes the SRVCC capability indication as part of the UE Network Capability in the Attach Request message, if the UE has been configured for using IMS speech service supported by the home operator and the session transfer is not restricted and maintained during Tracking Area Updates. MME stores this information for SRVCC operation. The procedures are as specified in TS 23.401 [22]. If the UE has not been configured to use an IMS speech service supported by the home operator or the session transfer is restricted, the SRVCC UE shall not include the SRVCC capability.

NOTE 1: If the operator policy on the UE is changed, the UE can change its SRVCC capability indication as part of the UE network capability in a Tracking Area Update message.

- SRVCC UE includes the GERAN MS Classmark 3 (if GERAN access is supported), MS Classmark 2 (if GERAN or UTRAN access or both are supported) and Supported Codecs IE (if GERAN or UTRAN access or both are supported) in the Attach Request message and in the non-periodic Tracking Area Update messages.

NOTE 2: MS Classmark 2, 3 and the Supported Codec IE are not sent from the source MME to the target MME/SGSN at inter CN-node mobility.

- If the subscriber is allowed to have SRVCC in the VPLMN then HSS includes SRVCC STN-SR and C-MSISDN as part of the subscription data sent to the MME.

- MME includes a "SRVCC operation possible" indication in the S1 AP Initial Context Setup Request, meaning that both UE and MME are SRVCC-capable.

6.2.1A Service Request procedures for SRVCC

Service Request procedures for 3GPP SRVCC UE are performed as defined in TS 23.401 [2] with the following additions:

- MME includes a "SRVCC operation possible" indication in the S1 AP Initial Context Setup Request, meaning that both UE and MME are SRVCC-capable.

6.2.2 Call flows for SRVCC from E-UTRAN

NOTE 1: If the MSC Server enhanced for SRVCC controls the target BSS/RNS, the steps depicted with dot-dashed arrows representing the MSC-MSC handover procedure defined in TS 23.009 [18] are not executed and the functions of the MSC Server enhanced for SRVCC are merged with those of the target MSC.

NOTE 2: For the sake of brevity the call flow descriptions use "MSC Server" instead of "MSC Server enhanced for SRVCC".

NOTE 3: The target MSC need not be enhanced for SRVCC.

6.2.2.1 SRVCC from E-UTRAN to GERAN without DTM support

Depicted in figure 6.2.2.1-1 is a call flow for SRVCC from E-UTRAN to GERAN without DTM support.

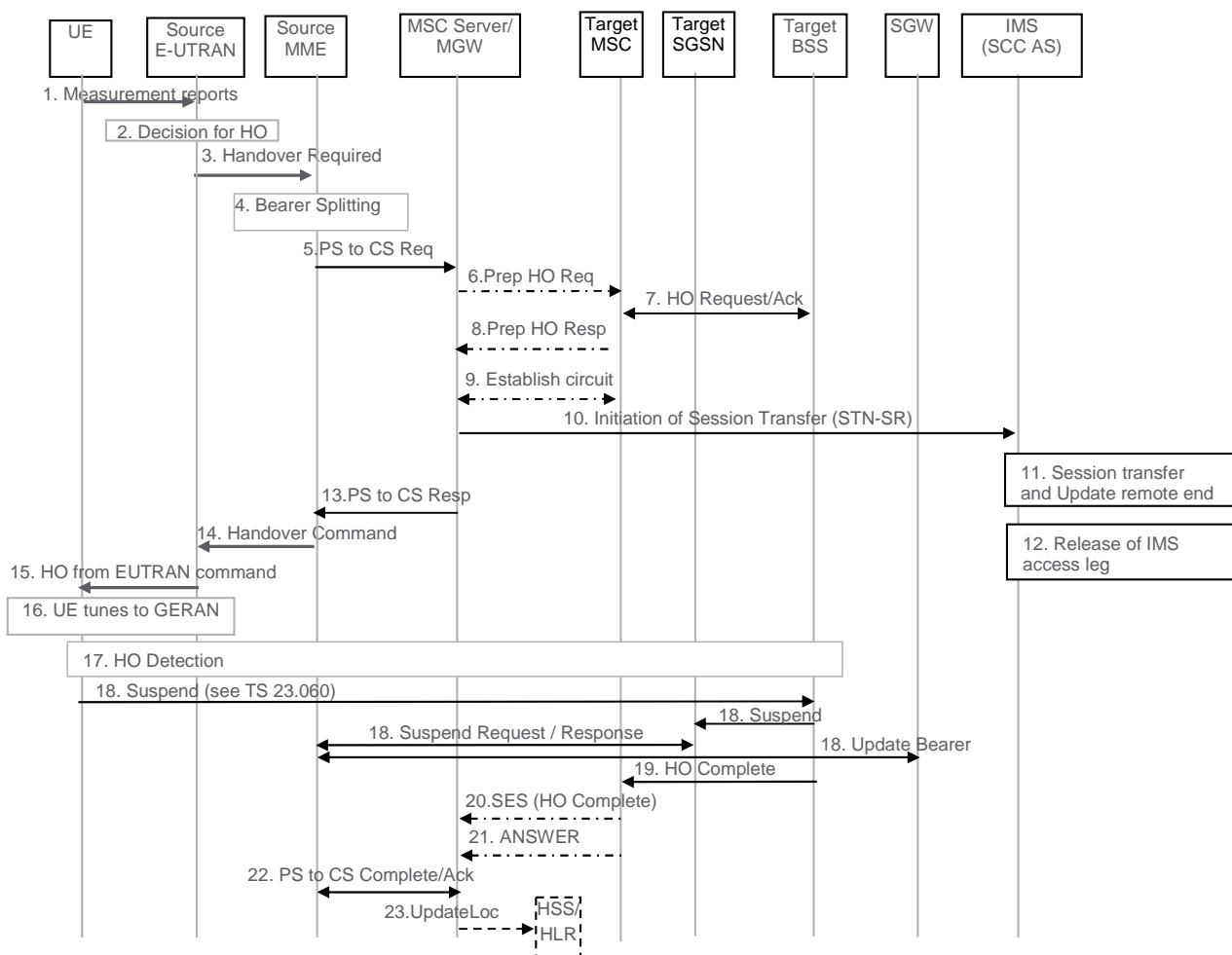


Figure 6.2.2.1-1: SRVCC from E-UTRAN to GERAN without DTM support

1. UE sends measurement reports to E-UTRAN.
2. Based on UE measurement reports the source E-UTRAN decides to trigger an SRVCC handover to GERAN.
3. Source E-UTRAN sends Handover Required (Target ID, generic Source to Target Transparent Container, SRVCC HO Indication) message to the source MME. The E-UTRAN places the "old BSS to new BSS information IE" for the CS domain in the generic Source to Target Transparent Container. The SRVCC HO indication indicates to the MME that target is only CS capable, hence this is a SRVCC handover operation only towards the CS domain.
4. Based on the QCI associated with the voice bearer (QCI 1) and the SRVCC HO indication, the source MME splits the voice bearer from the non voice bearers and initiates the PS-CS handover procedure for the voice bearer only towards MSC Server;
5. The MME sends a SRVCC PS to CS Request (IMSI, Target ID, STN-SR, C-MSISDN, generic Source to Target Transparent Container, MM Context) message to the MSC Server. The MME received STN-SR and C-MSISDN from the HSS as part of the subscription profile downloaded during the E-UTRAN attach procedure. The MM Context contains security related information. CS security key is derived by the MME from the E-UTRAN/EPS domain key as defined in TS 33.401 [22]. The CS Security key is sent in the MM Context.
6. The MSC Server interworks the PS-CS handover request with a CS inter-MSC handover request by sending a Prepare Handover Request message to the target MSC. The MSC Server assigns a default SAI as Source ID on the interface to the target BSS.

NOTE 1: The value of the default SAI is configured in the MSC and allows a release 8 and later BSC to identify that the source for the SRVCC Handover is E-UTRAN. To ensure correct statistics in the target BSS the default SAI should be different from the SAIs used in UTRAN.

7. Target MSC performs resource allocation with the target BSS by exchanging Handover Request/ Acknowledge messages.
8. Target MSC sends a Prepare Handover Response message to the MSC Server.
9. Establishment of circuit connection between the target MSC and the MGW associated with the MSC Server e.g. using ISUP IAM and ACM messages.
10. The MSC Server initiates the Session Transfer by using the STN-SR e.g. by sending an ISUP IAM (STN-SR) message towards the IMS. Standard IMS Service Continuity procedures are applied for execution of the Session Transfer, see TS 23.237 [14].

NOTE 2: This step can be started after step 8.

NOTE 3: If the MSC Server is using an ISUP interface, then the initiation of the session transfer may fail if the subscriber profile including CAMEL triggers is not available prior handover (see clause 7.3.2.1.3 in TS 23.292 [13]).

11. During the execution of the Session Transfer procedure the remote end is updated with the SDP of the CS access leg. The downlink flow of VoIP packets is switched towards the CS access leg at this point.
12. Source IMS access leg is released as per TS 23.237 [14].

NOTE 4: Steps 11 and 12 are independent of step 13.

13. MSC Server sends a SRVCC PS to CS Response (Target to Source Transparent Container) message to the source MME.
14. Source MME sends a Handover Command (Target to Source Transparent Container) message to the source E-UTRAN. The message includes information about the voice component only.
15. Source E-UTRAN sends a Handover from E-UTRAN Command message to the UE.
16. UE tunes to GERAN.
17. Handover Detection at the target BSS occurs. The UE sends a Handover Complete message via the target BSS to the target MSC. If the target MSC is not the MSC Server, then the Target MSC sends an SES (Handover Complete) message to the MSC Server.

18. The UE starts the Suspend procedure specified in TS 23.060 [10], clause 16.2.1.1.2 and if ISR is activated the TLLI and RAI pair are derived from the GUTI as described in TS 23.401 [2]. This triggers the Target SGSN to send a Suspend Request message to the Source MME. The MME returns a Suspend Response to the Target SGSN. The MME also starts the preservation of non-GBR bearers and the deactivation of the voice and other GBR bearers.
19. Target BSS sends a Handover Complete message to the target MSC.
20. Target MSC sends an SES (Handover Complete) message to the MSC Server. The speech circuit is through connected in the MSC Server/MGW according to TS 23.009 [18].
21. Completion of the establishment procedure with ISUP Answer message to the MSC Server according to TS 23.009 [18].
22. MSC Server sends a SRVCC PS to CS Complete Notification message to the source MME, informing it that the UE has arrived on the target side. Source MME acknowledges the information by sending a SRVCC PS to CS Complete Acknowledge message to the MSC Server.
23. MSC Server may perform a MAP Update Location to the HSS/HLR if needed. This may be needed for MSC Server to receive GSM Supplementary Service information and routing of mobile terminating calls properly in certain configuration.

NOTE 5: This Update Location is not initiated by the UE.

After the CS voice call is terminated and if the UE is still in GERAN, then (as specified in TS 23.060 [10]) the UE shall resume PS services by sending a Routing Area Update Request message to the SGSN. The Update Type depends on the mode of operation of the GERAN network, e.g. in mode I a Combined RA/LA Update is used and in mode II or III Routing Area Update is used.

6.2.2.1A SRVCC from E-UTRAN to GERAN with DTM but without DTM HO support

The call flow for this scenario is similar to the call flow depicted in figure 6.2.2.1-1, with the exception that the Suspend procedure (step 18 in figure 6.2.2.1-1) is not performed. At the end of the procedure described in figure 6.2.2.1-1, the UE re-establishes the PS resources by performing the Routing Area update procedure as described in TS 23.060 [10].

6.2.2.2 SRVCC from E-UTRAN to UTRAN or GERAN with DTM HO support

Depicted in figure 6.2.2.2-1 is a call flow for SRVCC from E-UTRAN to UTRAN or GERAN with DTM HO support, including the handling of the non-voice component.

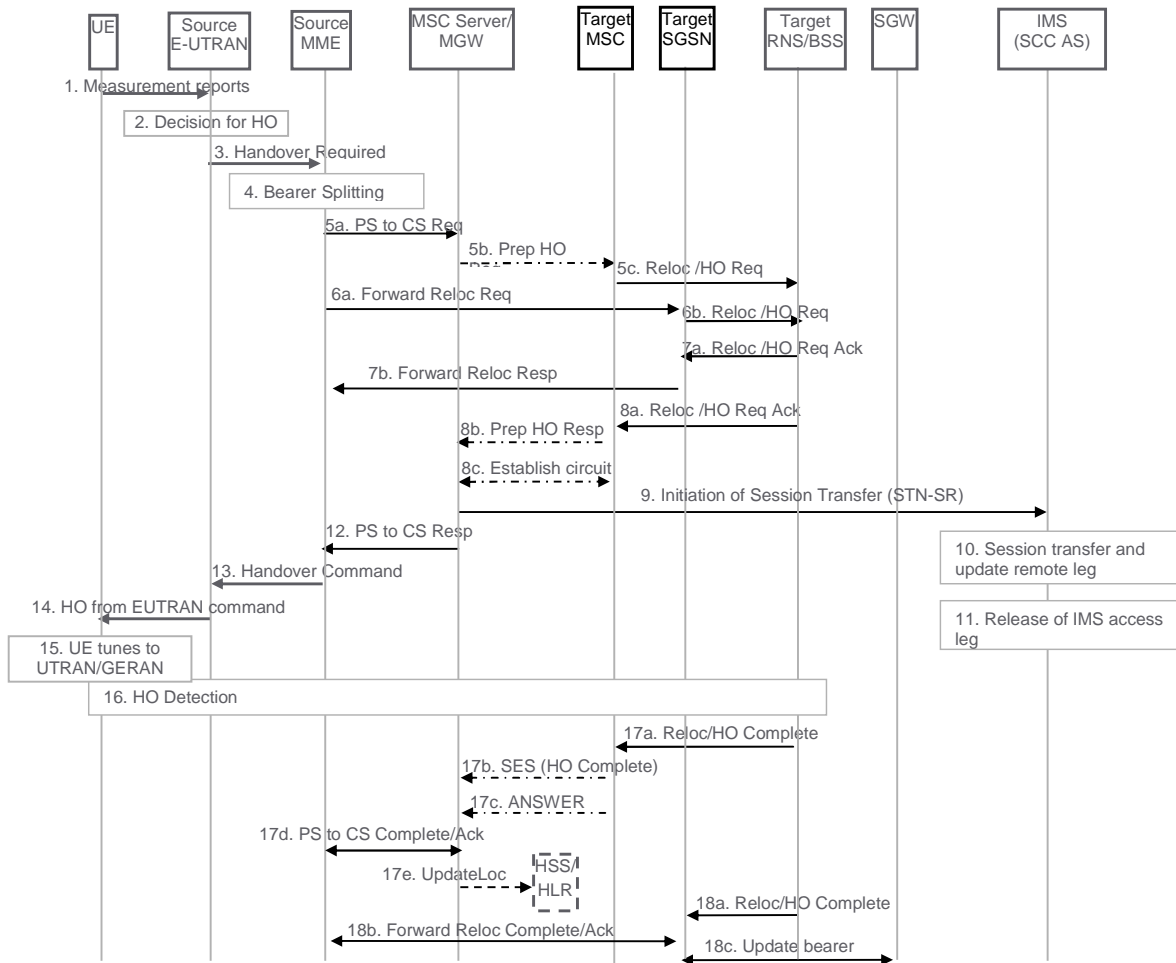


Figure 6.2.2.2-1: SRVCC from E-UTRAN to UTRAN or GERAN with DTM HO support

1. UE sends measurement reports to E-UTRAN.
2. Based on UE measurement reports the source E-UTRAN decides to trigger an SRVCC handover to UTRAN/GERAN.
3. If target is UTRAN, the source E-UTRAN sends a Handover Required (Target ID, generic Source to Target Transparent Container, SRVCC HO indication) message to the source MME. SRVCC HO indication indicates to MME that this is for CS+PS HO.

NOTE 1: When the source E-UTRAN indicates using SRVCC HO Indication that target is both CS and PS capable and this is a CS+PS HO request, the source MME sends the single received transparent container to both the target CS domain and the target PS domain.

If target is GERAN, the source E-UTRAN sends a Handover Required (Target ID, generic Source to Target Transparent Container, additional Source to Target Transparent Container, SRVCC HO Indication) message to the source MME. The E-UTRAN places the "old BSS to new BSS information IE" for the CS domain in the additional Source to Target Transparent Container. In this case, the MME identifies from SRVCC HO Indication that this is a request for a CS+PS handover.

4. Based on the QCI associated with the voice bearer (QCI 1) and the SRVCC HO Indication, the source MME splits the voice bearer from all other PS bearers and initiates their relocation towards MSC Server and SGSN, respectively.
- 5a) Source MME initiates the PS-CS handover procedure for the voice bearer by sending a SRVCC PS to CS Request (IMSI, Target ID, STN-SR, C-MSISDN, Source to Target Transparent Container, MM Context) message to the MSC Server. The message includes information relevant to the CS domain only. MME received STN-SR and C-MSISDN from the HSS as part of the subscription profile downloaded during the E-UTRAN attach procedure. MM Context contains security related information. CS security key is derived by the MME

from the E-UTRAN/EPS domain key as defined in TS 33.401 [22]. The CS Security key is sent in the MM Context.

- 5b) MSC Server interworks the PS-CS handover request with a CS inter-MSC handover request by sending a Prepare Handover Request message to the target MSC. If the target system is GERAN, the MSC Server assigns a default SAI as Source ID on the interface to the target BSS.

NOTE 2: The value of the default SAI is configured in the MSC and allows a release 8 and later BSC to identify that the source for the SRVCC Handover is E-UTRAN. To ensure correct statistics in the target BSS the default SAI should be different from the SAIs used in UTRAN.

- 5c) Target MSC requests resource allocation for the CS relocation by sending the Relocation Request/Handover Request (additional Source to Target Transparent Container) message to the target RNS/BSS.

6. In parallel to the previous step the source MME initiates relocation of the PS bearers. The following steps are performed (for details see TS 23.401 [2] clauses 5.5.2.1 and 5.5.2.3):

- a) Source MME sends a Forward Relocation Request (Source to Target Transparent Container, MM Context, PDN Connections) message to the target SGSN. The PDP Context includes bearer information for the non-voice component(s) and the voice bearer(s). The PS-to-CS handover indicator shall be set for the voice bearer(s). The handling of security keys for PS handover of the remaining non-voice PS bearers is specified in TS 33.401 [22].

NOTE 3: In case of handover to a Gn/Gp SGSN the Forward Relocation Request will contain PDP Contexts instead of PDN Connections. Also instead of providing the PS-to-CS indicator for the voice bearer(s) the MBR parameter will be set equal to zero to indicate handover to CS domain.

- b) Target SGSN requests resource allocation for the PS relocation by sending the Relocation Request/Handover Request (Source to Target Transparent Container) message to the target RNS/BSS.

7. After the target RNS/BSS receives both the CS relocation/handover request with the PS relocation/handover request, it assigns the appropriate CS and PS resources. The following steps are performed:

- a) Target RNS/BSS acknowledges the prepared PS relocation/handover by sending the Relocation Request Acknowledge/Handover Request Acknowledge (Target to Source Transparent Container) message to the target SGSN.
- b) Target SGSN sends a Forward Relocation Response (Target to Source Transparent Container) message to the source MME.

8. In parallel to the previous step the following steps are performed:

- a) Target RNS/BSS acknowledges the prepared CS relocation/handover by sending the Relocation Request Acknowledge/Handover Request Acknowledge (Target to Source Transparent Container) message to the target MSC.
- b) Target MSC sends a Prepare Handover Response (Target to Source Transparent Container) message to the MSC Server.
- c) Establishment of circuit connection between the target MSC and the MGW associated with the MSC Server e.g. using ISUP IAM and ACM messages.

NOTE 4: The Target to Source Transparent Container sent to the target SGSN in step 7a and the Target to Source Transparent Container sent to the target MSC in step 8a, include the same allocation of CS and PS resources (e.g. the target BSS includes the same DTM Handover Command in both containers).

9. The MSC Server initiates the Session Transfer by using the STN-SR e.g. by sending an ISUP IAM (STN-SR) message towards the IMS. Standard IMS Service Continuity procedures are applied for execution of the Session Transfer, TS 23.237 [14].

NOTE 5: This step can be started after step 8b.

NOTE 6: If the MSC Server is using an ISUP interface, then the initiation of the session transfer may fail if the subscriber profile including CAMEL triggers is not available prior handover (see clause 7.3.2.1.3 of TS 23.292 [13]).

10. During the execution of the Session Transfer procedure the remote end is updated with the SDP of the CS access leg according to TS 23.237 [14]. The downlink flow of VoIP packets is switched towards the CS access leg at this point.

11. The source IMS access leg is released according to TS 23.237 [14].

NOTE 7: Steps 10 and 11 are independent of step 12.

12. The MSC Server sends a SRVCC PS to CS Response (Target to Source Transparent Container) message to the source MME.

13. Source MME synchronises the two prepared relocations and sends a Handover Command (Target to Source Transparent Container) message to the source E-UTRAN.

NOTE 8: When the target cell is GERAN, the MME may receive different Target to Source Transparent Containers from the MSC Server and from the SGSN, i.e. a "New BSS to Old BSS Information" (see TS 48.008 [23]) may be received from the MSC Server and a "Target BSS to Source BSS Transparent Container" (see TS 48.018 [24]) may be received from the SGSN.

14. E-UTRAN sends a Handover from E-UTRAN Command message to the UE.

15. UE tunes to the target UTRAN/GERAN cell.

16. Handover Detection at the target RNS/BSS occurs. The UE sends a Handover Complete message via the target RNS/BSS to the target MSC. If the target MSC is not the MSC Server, then the Target MSC sends an SES (Handover Complete) message to the MSC Server.

17. The CS relocation/handover is complete. The following steps are performed:

- a) Target RNS/BSS sends Relocation Complete/Handover Complete message to the target MSC.
- b) Target MSC sends an SES (Handover Complete) message to the MSC Server. The speech circuit is through connected in the MSC Server/MGW according to TS 23.009 [18].
- c) Completion of the establishment procedure with ISUP Answer message to the MSC Server according to TS 23.009 [18].
- d) MSC Server sends a SRVCC PS to CS Complete Notification message to the source MME. Source MME acknowledges the information by sending a SRVCC PS to CS Complete Acknowledge message to the MSC Server.
- e) MSC Server may perform an MAP Update Location to the HSS/HLR if needed. This may be needed for the MSC Server to receive GSM Supplementary Service information and routing of mobile terminating calls properly in certain configuration.

NOTE 9: This Update Location is not initiated by the UE.

18. In parallel to the previous step, the PS relocation/handover is completed. The following steps are performed:

- a) Target RNS/BSS sends Relocation Complete/Handover Complete message to target SGSN.
- b) Target SGSN sends a Forward Relocation Complete message to the source MME. Source MME acknowledges the information by sending a Forward Relocation Complete Acknowledge message to the target SGSN.
- c) Target SGSN updates the bearer with Serving GW as specified in TS 23.401 [2]. The PS-to-CS handover indicator shall be set for the voice bearer(s).

NOTE 10 :In case of Gn/Gp SGSN the PS-to-CS indicator can not be signalled for the voice bearer(s). Instead the MBR parameter will be set equal to zero to indicate handover to CS domain.

6.3 UTRAN (HSPA) and 3GPP GERAN/UTRAN SRVCC

6.3.1 GPRS Attach procedure for SRVCC

GPRS attach procedure for 3GPP SRVCC UE is performed as defined in TS 23.060 [10] with the following additions:

- SRVCC UE includes the SRVCC capability indication as part of the "MS Network Capability" in the Attach Request message, if the UE has been configured to use an IMS speech service supported by the home operator and the session transfer is not restricted and maintained during Routing Area Updates. SGSN stores this information for SRVCC operation. If the UE has not been configured to use an IMS speech service supported by the home operator or the session transfer is restricted, the SRVCC UE shall not include the SRVCC capability.

NOTE 1: If the operator policy on the UE is changed, the UE can change its SRVCC capability indication as part of the UE network capability in a Routing Area Update message.

- UTRAN (HSPA) receives UE SRVCC capability indication as part of the "UE Radio Access Capability".
- SRVCC UE includes the GERAN MS Classmark 3 (if GERAN access is supported), MS Classmark 2 and Supported Codecs IE in the Attach Request message and in the non-periodic Routing Area Update messages.

NOTE 2: MS Classmark 2, 3 and the Supported Codec IE are not sent from the source SGSN to the target MME/SGSN at inter CN-node mobility.

- If the subscriber is allowed to have SRVCC in the VPLMN then HSS includes STN-SR and C-MSISDN as part of the subscription data sent to the SGSN.

6.3.2 Call flows for SRVCC from UTRAN (HSPA)

NOTE 1: If the MSC Server enhanced for SRVCC controls the target BSS/RNS, the steps depicted with dot-dashed arrows representing the MSC-MSC handover procedure defined in TS 23.009 [18] are not executed and the functions of the MSC Server enhanced for SRVCC are merged with those of the target MSC.

NOTE 2: For the sake of brevity the call flow descriptions use "MSC Server" instead of "MSC Server enhanced for SRVCC".

NOTE 3: The target MSC need not be enhanced for SRVCC.

6.3.2.1 SRVCC from UTRAN (HSPA) to GERAN without DTM support

Depicted in figure 6.3.2.1-1 is a call flow for SRVCC from HSPA to GERAN without DTM support.

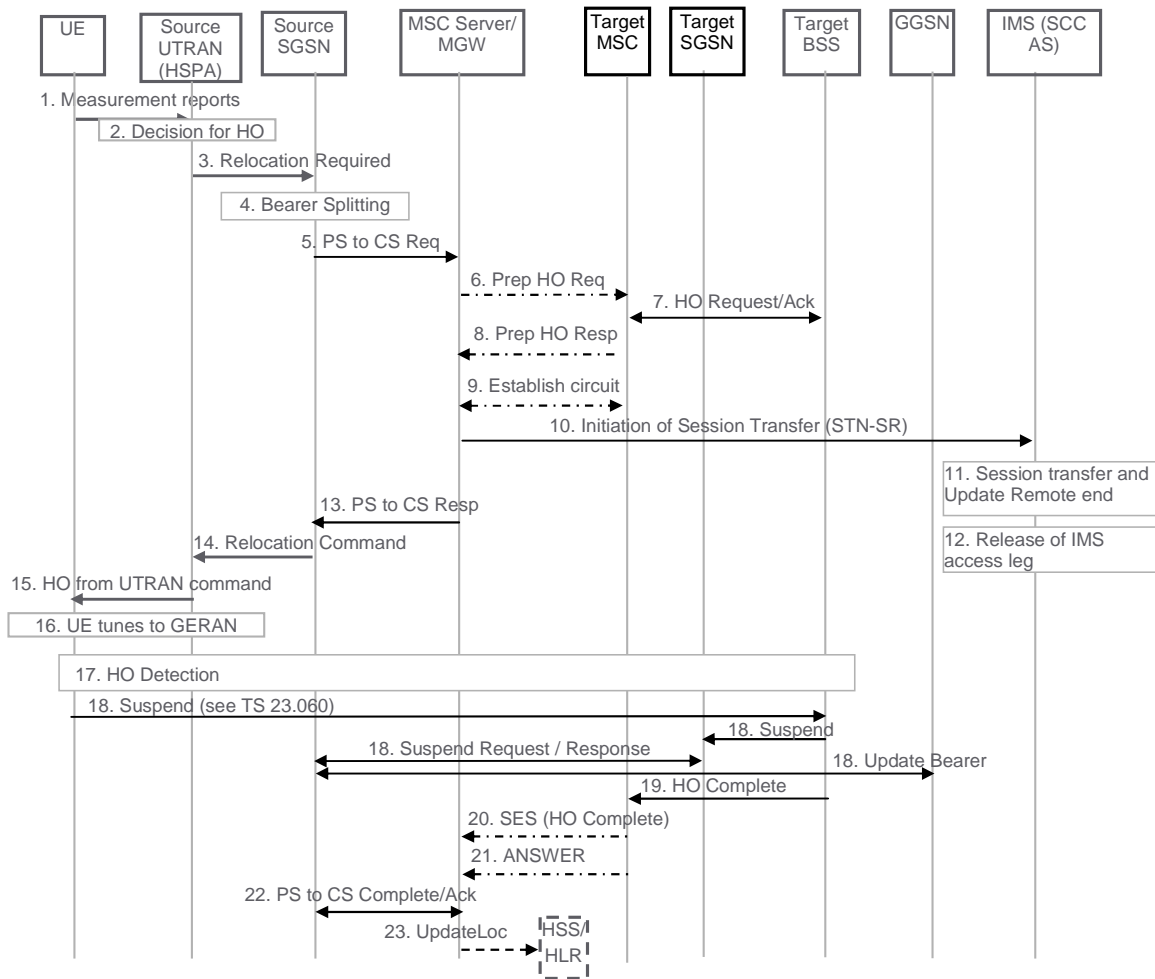


Figure 6.3.2.1-1: SRVCC from UTRAN (HSPA) to GERAN without DTM support

1. UE sends measurement reports to Source UTRAN (HSPA).
2. Based on UE measurement reports the source UTRAN (HSPA) decides to trigger a handover to GERAN.
3. Source UTRAN (HSPA) sends Relocation Required (Target ID, Source to Target Transparent Container, SRVCC Handover Indication) message to the source SGSN. The UTRAN (HSPA) includes the "old BSS to new BSS information IE" for the CS domain. The SRVCC Handover Indication indicates to the SGSN that this is a SRVCC handover operation only towards the CS domain.
4. Based on the Traffic Class associated with conversational and Source Statistic Descriptor = speech, and the SRVCC Handover Indication the source SGSN splits the voice bearer from the non-voice bearers and initiates the PS-CS handover procedure for the voice bearer only towards MSC server.
5. Source SGSN sends a SRVCC PS to CS Request (IMSI, Target ID, STN-SR, C-MSISDN, Source to Target Transparent Container, MM Context) message to the MSC Server. SGSN received the STN-SR and C-MSISDN from the HSS as part of the subscription profile downloaded during the UTRAN (HSPA) attach procedure. The MM Context contains security related information. The CS Security key is derived by SGSN from the UTRAN (HSPA)/EPS domain key as defined in TS 33.102 [25]. The CS security key is sent in the MM Context.
6. The MSC Server interworks the PS handover request with a CS inter-MSC handover request by sending a Prepare Handover Request message to the target MSC.
7. Target MSC performs resource allocation with the target BSS by exchanging Handover Request/ Acknowledge messages.
8. Target MSC sends a Prepare Handover Response message to the MSC Server.
9. Establishment of circuit connection between the target MSC and the MGW associated with the MSC Server e.g. using ISUP IAM and ACM messages.

10. The MSC Server initiates the Session Transfer by using the STN-SR e.g. by sending an ISUP IAM (STN-SR) message towards the IMS. Standard IMS Service Continuity procedures are applied for execution of the Session Transfer, see TS 23.237 [14].

NOTE 1: This step can be started after step 8.

NOTE 2: If the MSC Server is using an ISUP interface, then the initiation of the session transfer may fail if the subscriber profile including CAMEL triggers is not available prior handover (see clause 7.3.2.1.3 of TS 23.292 [13]).

11. During the execution of the Session Transfer procedure the remote end is updated with the SDP of the CS access leg. The downlink flow of VoIP packets is switched towards the CS access leg at this point.

12. Source IMS access leg is released according to TS 23.237 [14].

NOTE 3: Steps 11 and 12 are independent of step 13.

13. MSC Server sends a SRVCC PS to CS Response (Target to Source Transparent Container) message to the source SGSN.

14. Source SGSN sends a Relocation Command (Target to Source Transparent Container) message to the source UTRAN (HSPA). The message includes information about the voice component only.

15. Source UTRAN (HSPA) sends a Handover Command message to the UE.

16. UE tunes to GERAN.

17. Handover Detection at the target BSS occurs.

18. The UE starts the Suspend procedure specified in TS 23.060 [10], clause 16.2.1.1.2 and if ISR is activated the TLLI and RAI pair are derived from the GUTI as described in TS 23.401 [2]. This triggers the Target SGSN to send a Suspend Request message to the Source SGSN. The Source SGSN returns a Suspend Response to the Target SGSN. The Source SGSN also starts the preservation of non-GBR bearers and the deactivation of the voice and other GBR bearers.

19. Target BSS sends a Handover Complete message to the target MSC.

20. Target MSC sends an SES (Handover Complete) message to the MSC Server. The speech circuit is through connected in the MSC Server/MGW according to TS 23.009 [18].

21. Completion of the establishment procedure with ISUP Answer message to the MSC Server according to TS 23.009 [18].

22. MSC Server sends a SRVCC PS to CS Complete Notification message to the source SGSN, informing it that the UE has arrived on the target side. Source SGSN acknowledges the information by sending a SRVCC PS to CS Complete Acknowledge message to the MSC Server.

23. MSC Server may perform a MAP Update Location to the HSS/HLR if needed. This may be needed for MSC Server to receive GSM SS information and routing of mobile terminating calls properly in certain configuration.

NOTE 4: This Update Location is not initiated by the UE.

After the CS voice call is terminated and if the UE is still in GERAN, then (as specified in TS 23.060 [10]) the UE shall resume GPRS services by sending a Routing Area Update Request message to the SGSN. The Update Type depends on the mode of operation of the GERAN network, e.g. in mode I a Combined RA/LA Update is used and in mode II or III Routing Area Update is used.

6.3.2.1a SRVCC from UTRAN (HSPA) to GERAN with DTM but without DTM HO support

The call flow for this scenario is similar to the call flow depicted in figure 6.3.2.1-1, with the exception that the Suspend procedure (step 18 in figure 6.3.2.1-1) is not performed. At the end of the procedure described in figure 6.3.2.1-1, the UE re-establishes the PS resources by performing the Routing Area update procedure as described in TS 23.060 [10].

6.3.2.2 SRVCC from UTRAN (HSPA) to UTRAN or GERAN with DTM HO support

Depicted in figure 6.3.2.2-1 is a call flow for SRVCC from UTRAN (HSPA) to UTRAN or GERAN with DTM HO support, including the handling of the non voice component.

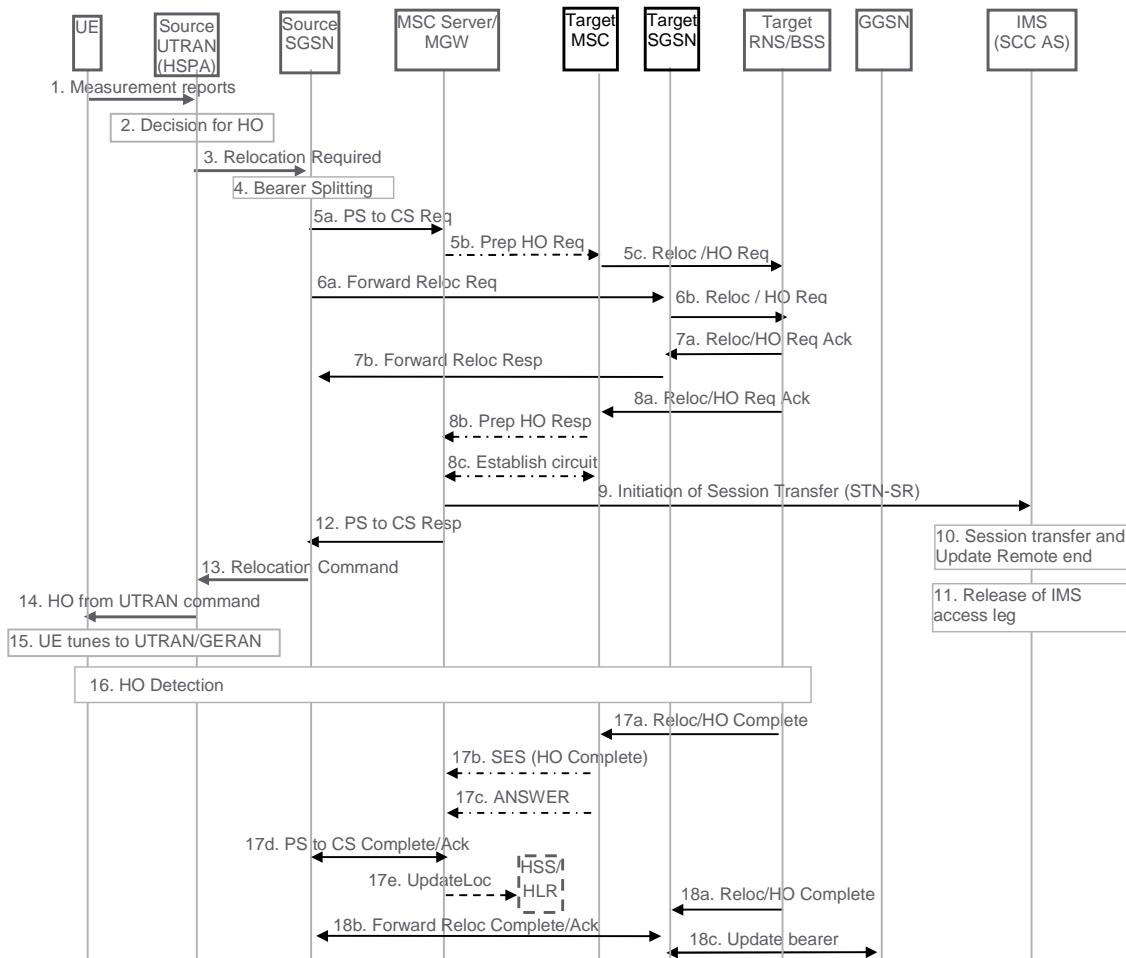


Figure 6.3.2.2-1: SRVCC from UTRAN (HSPA) to UTRAN or GERAN with DTM HO support

1. UE sends measurement reports to Source UTRAN (HSPA).
2. Based on UE measurement reports the source UTRAN (HSPA) decides to trigger a handover to UTRAN/GERAN.
3. If target is UTRAN, the source UTRAN (HSPA) sends a Relocation Required (Target ID, Source RNC to Target RNC Transparent Container, SRVCC Handover Indication) message to the source SGSN. UTRAN (HSPA) also indicates to SGSN that this is for CS+PS HO.

NOTE 1: When the source UTRAN (HSPA) indicates that this is a CS+PS HO request, the source SGSN sends the single received transparent container to both the target CS domain and the target PS domain.

If target is GERAN, the source UTRAN (HSPA) sends a Relocation Required (Target ID, Old BSS to New BSS Information IE for the CS domain and Source BSS to Target BSS Transparent Container for the PS Domain, SRVCC Handover Indication) message to the source SGSN. In this case, the SGSN identifies from the SRVCC Handover Indication that this is a request for a CS+PS handover.

4. Based on the Traffic Class associated with conversational and Source Statistic Descriptor = speech, and the SRVCC Handover Indication the Source SGSN splits the voice bearer from all other PS bearers and initiates their relocation towards MSC Server and SGSN, respectively.
- 5a) Source SGSN initiates the PS-CS handover procedure for the voice bearer by sending a SRVCC PS to CS Request (IMSI, Target ID, STN-SR, C-MSISDN, Source to Target Transparent Container, MM Context) message to the MSC Server. The message includes information relevant to the CS domain only. SGSN received

STN-SR and C-MSISDN from the HSS as part of the subscription profile downloaded during the UTRAN (HSPA) attach procedure. MM Context contains security related information. The CS Security key is derived by the SGSN from the UTRAN (HSPA)/EPS domain key as defined in TS 33.102 [25]. The CS security key is sent in the MM Context.

- 5b) MSC Server interworks the PS handover request with a CS inter-MSC handover request by sending a Prepare Handover Request message to the target MSC.
- 5c) Target MSC requests resource allocation for the CS relocation by sending the Relocation Request/Handover Request (Source to Target Transparent Container) message to the target RNS/BSS.
6. In parallel to the previous step the source SGSN initiates relocation of the PS bearers. The following steps are performed (for details see TS 23.060 [10]):
 - a) Source SGSN sends a Forward Relocation Request (Source to Target Transparent Container, MM Context, PDP Context) message to the target SGSN. The PDP Context includes bearer information for the non-voice component(s) and the preserved voice bearer(s) (i.e. bit rates set to 0 kbps). The handling of security keys for PS handover of the remaining non-voice PS bearers is specified in TS 33.102 [25].
 - b) Target SGSN requests resource allocation for the PS relocation by sending the Relocation Request/Handover Request (Source to Target Transparent Container) message to the target RNS/BSS.
7. Target RNS/BSS coordinates the CS relocation request with the PS relocation request and assigns resources. The following steps are performed:
 - a) Target RNS/BSS acknowledges the prepared PS relocation by sending the Relocation Request Acknowledge/Handover Request Acknowledge (Target to Source Transparent Container) message to the target SGSN.
 - b) Target SGSN sends a Forward Relocation Response (Target to Source Transparent Container) message to the source SGSN.
8. In parallel to the previous step the following steps are performed:
 - a) Target RNS/BSS acknowledges the prepared CS relocation by sending the Relocation Request Acknowledge/Handover Request Acknowledge (Target to Source Transparent Container) message to the target MSC.
 - b) Target MSC sends a Prepare Handover Response (Target to Source Transparent Container) message to the MSC Server.
 - c) Establishment of circuit connection between the target MSC and the MGW associated with the MSC Server e.g. using ISUP IAM and ACM messages.
9. The MSC Server initiates the Session Transfer by using the STN-SR e.g. by sending an ISUP IAM (STN-SR) message towards the IMS. Standard IMS Service Continuity procedures are applied for execution of the Session Transfer, see TS 23.237 [14].

NOTE 2: This step can be started after step 8b.

NOTE 3: If the MSC Server is using an ISUP interface, then the initiation of the session transfer may fail if the subscriber profile including CAMEL triggers is not available prior handover (see clause 7.3.2.1.3 of TS 23.292 [13]).

10. During the execution of the Session Transfer procedure the remote end is updated with the SDP of the CS access leg according to TS 23.237 [14]. The downlink flow of VoIP packets is switched towards the CS access leg at this point.

11. The source IMS access leg is released according to TS 23.237 [14].

NOTE 4: Steps 10 and 11 are independent of step 12.

12. The MSC Server sends a SRVCC PS to CS Response (Target to Source Transparent Container) message to the source SGSN.

13. Source SGSN synchronises the two prepared relocations and sends a Relocation Command (Target to Source Transparent Container) message to the source UTRAN (HSPA).
14. UE tunes to the target UTRAN/GERAN cell.
15. UTRAN (HSPA) sends a Handover Command message to the UE.
16. Handover Detection at the target RNS/BSS.
17. The CS relocation is complete. The following steps are performed:
 - a) Target RNS/BSS sends Relocation Complete/Handover Complete message to the target MSC.
 - b) Target MSC sends an SES (Handover Complete) message to the MSC Server. The speech circuit is through connected in the MSC Server/MGW according to TS 23.009 [18].
 - c) Completion of the establishment procedure with ISUP Answer message to the MSC Server according to TS 23.009 [18].
 - d) MSC Server sends a SRVCC PS to CS Complete Notification message to the source SGSN. Source SGSN acknowledges the information by sending a SRVCC PS to CS Complete Acknowledge message to the MSC Server.
 - e) MSC Server may perform an MAP Update Location to the HSS/HLR if needed. This may be needed for the MSC Server to receive GSM SS information and routing of mobile terminating calls properly in certain configuration.

NOTE 5: This Update Location is not initiated by the UE.

18. In parallel to the previous step, the PS relocation is complete. The following steps are performed:
 - a) Target RNS/BSS sends Relocation Complete/Handover Complete message to target SGSN.
 - b) Target SGSN sends a Forward Relocation Complete message to the source SGSN. Source SGSN acknowledges the information by sending a Forward Relocation Complete Acknowledge message to the target SGSN.
 - c) Target SGSN updates the bearer with GGSN.

7 Charging

See TS 23.292 [13] clause 8 on charging for guidance on the handling of charging for SRVCC.

8 Handover Failure

8.1 Failure in EUTRAN/UTRAN (HSPA) and 3GPP UTRAN/GERAN SR-VCC

8.1.1 Failure before MSC Server initiates Session Transfer

If a failure is encountered before the MSC Server initiates Session Transfer, then the standardised handover failure procedures apply according to TS 23.401 [2]. No further action is required by the UE.

8.1.2 Failure after UE receives HO command

If the UE encounters a failure after it receives the handover command and does not successfully transition to 3GPP UTRAN/GERAN, the UE attempts to return to E-UTRAN/UTRAN, according to standardised procedures and initiates signalling to transfer the session back to E-UTRAN/UTRAN using the service continuity procedures described in

TS 23.237 [14]. The core network (MME, MSC Server) shall take no SR-VCC specific action in the event of not receiving the Handover Complete message from the UE.

8.1.3 Handover Cancellation

If the source E-UTRAN/UTRAN decides to terminate the handover procedure before its completion, the MME/SGSN shall return to its state before the handover procedure was triggered. The MME/SGSN attempts to trigger, at the MSC Server enhanced for SRVCC, handover cancellation procedures according to TS 23.009 [18]. The MSC Server enhanced for SRVCC shall take no SRVCC-specific action towards IMS.

In order to recover from potential handover cancellations, the SRVCC UE monitors the user plane for unexpected termination (e.g. the media flow stops when still in coverage). The UE may automatically attempt to re-establish the session by operating as though it required a transfer of the session to E-UTRAN/UTRAN, according to the service continuity procedures described in TS 23.237 [14]. If the session is no longer active, then this session transfer request shall be rejected by the IMS.

9 Security

9.1 Network Domain Security with 3GPP2 1xCS IWS

Network domain security with 3GPP2 1xCS IWS shall be provided by NDS/IP according to TS 33.210 [21] with integrity protection and confidentiality. This shall be applied whenever signalling messages (e.g. containing security context) are transferred on the S102 reference point.

NOTE 1: In case control plane interfaces are trusted (e.g. physically protected), there is no need to use protection according to TS 33.210 [21].

9.2 Network Domain Security with 3GPP UTRAN/GERAN MSC Server

Network domain security with 3GPP UTRAN/GERAN MSC Server shall be provided by NDS/IP according to TS 33.210 [21] with integrity protection and confidentiality. This shall be applied whenever signalling messages (e.g. containing security context) are transferred on the Sv reference point.

NOTE 2: In case control plane interfaces are trusted (e.g. physically protected), there is no need to use protection according to TS 33.210 [21].

Annex A (informative): Determination of Neighbour Cell List

This annex describes example algorithms for determination of Neighbour Cell List (NCL) for SRVCC operation. In case of SRVCC to GERAN/UTRAN it is also clarified when the E-UTRAN includes a SRVCC indication in the Handover Required message.

A.1 SRVCC from E-UTRAN to 3GPP2 1xCS

E-UTRAN may determine the NCL as follows:

- If the "SRVCC operation possible" indication is set to "true" (i.e. both EPC and UE are SRVCC capable), then:
 - if there is an established QCI=1 bearer for this UE, then 1x cells may be included as candidate target cells in the NCL;
 - if there is no established QCI=1 bearer for this UE, then 1x cells are not included in the NCL.
- If the "SRVCC operation possible" indication is set to "false" (i.e. either EPC or UE is not SRVCC capable), then 1x cells are not included in the NCL.

A.2 SRVCC from E-UTRAN to GERAN/UTRAN

E-UTRAN may determine the NCL, as well as the need to signal a SRVCC indication, as follows:

- If the "SRVCC operation possible" indication is set to "true" (i.e. both EPC and UE are SRVCC capable), then VoIP-incapable cells may be included as candidate target cells in the NCL, regardless of the presence of established QCI=1 bearers for this UE. Moreover:
 - if there is an established QCI=1 bearer for this UE and the selected target cell is VoIP-capable, then E-UTRAN does not include a SRVCC indication in the Handover Required message;
 - if there is an established QCI=1 bearer for this UE and the selected target cell is VoIP-incapable, then E-UTRAN includes a SRVCC indication in the Handover Required message;
 - if there is no established QCI=1 bearer for this UE, then E-UTRAN does not include a SRVCC indication in the Handover Required message;
- If the "SRVCC operation possible" indication is set to "false" (i.e. either EPC or UE is not SRVCC capable), then E-UTRAN does not include a SRVCC indication in the Handover Required message. Moreover:
 - if there is an established QCI=1 bearer for this UE, then VoIP-incapable cell are not be included in the NCL;
 - if there is no established QCI=1 bearer for this UE, then VoIP-incapable cells may be included in the NCL.

A.3 SRVCC from UTRAN (HSPA) to GERAN/UTRAN

Similar logic may be used as in clause A.2 by replacing E-UTRAN with UTRAN.

Annex B (informative): Change history

Change history								
Date	TSG #	TSG Doc.	CR	Rev	Cat	Subject/Comment	Old	New
2008-06	SP-40	SP-080356	-	-	-	MCC Editorial update for presentation to TSG SA for Approval	1.2.1	2.0.0
2008-06	-	-	-	-	-	MCC Editorial update after TSG Approval to version 8.0.0 (Rel-8)	2.0.0	8.0.0
2008-09	SP-41	SP-080586	0003	1	F	Update of E-UTRAN and 3GPP UTRAN/GERAN SRVCC architecture	8.0.0	8.1.0
2008-09	SP-41	SP-080586	0005	1	F	Correction of "Call flows for SRVCC from E-UTRAN"	8.0.0	8.1.0
2008-09	SP-41	SP-080601	0006	6	F	Replacing VDN with STN-SR and other corrections in 3GPP TS 23.216	8.0.0	8.1.0
2008-09	SP-41	SP-080586	0007	1	F	Correction of SRVCC in 23.216	8.0.0	8.1.0
2008-09	SP-41	SP-080586	0009	2	F	Correction of SRVCC without PS HO support in GERAN	8.0.0	8.1.0
2008-09	SP-41	SP-080586	0011	2	F	Modification of LTE Attach procedure for SRVCC	8.0.0	8.1.0
2008-09	SP-41	SP-080586	0013	3	B	HSPA SRVCC addition to TS 23.216	8.0.0	8.1.0
2008-09	SP-41	SP-080586	0015	1	F	Corrections to Call flows for SRVCC from E-UTRAN	8.0.0	8.1.0
2008-09	SP-41	SP-080586	0016	-	F	Clarification on Suspend procedures for SRVCC	8.0.0	8.1.0
2008-09	SP-41	SP-080586	0021	-	F	Correction to a reference specification	8.0.0	8.1.0
2008-09	SP-41	SP-080586	0023	1	F	Handover Failure handling for SR-VCC	8.0.0	8.1.0
2008-09	SP-41	SP-080586	0024	-	F	IS41 ISUP correction in figure	8.0.0	8.1.0
2008-09	SP-41	SP-080586	0025	1	F	Security additions to TS 23.216	8.0.0	8.1.0
2008-09	SP-41	SP-080586	0026	1	F	Clarification on routeing of Forward Relocation Request message	8.0.0	8.1.0
2008-12	SP-42	SP-080816	0027	-	F	Clarification of Suspend procedure	8.1.0	8.2.0
2008-12	SP-42	SP-080816	0028	4	F	EUTRAN to UTRAN/GERAN call flow renumbering and clarifications	8.1.0	8.2.0
2008-12	SP-42	SP-080816	0029	1	F	HSPA to UTRAN/GERAN call flow renumbering and clarifications	8.1.0	8.2.0
2008-12	SP-42	SP-080816	0031	1	F	Terminology alignments with stage3 and some editorial corrections	8.1.0	8.2.0
2008-12	SP-42	SP-080816	0033	1	F	Corrections to 1xRTT call flow	8.1.0	8.2.0
2008-12	SP-42	SP-080816	0034	1	F	Terminating voice call handling in SRVCC networks supporting EPS ISR	8.1.0	8.2.0
2008-12	SP-42	SP-080816	0035	4	F	SRVCC failure handling during radio HO preparation	8.1.0	8.2.0
2008-12	SP-42	SP-080816	0036	1	F	Correction to Suspend handling to cope with ISR	8.1.0	8.2.0
2008-12	SP-42	SP-080816	0037	1	F	Provision of essential information for SRVCC to 2G/3G from the UE	8.1.0	8.2.0
2008-12	SP-42	SP-080832	0040	-	F	Security addition to SRVCC	8.1.0	8.2.0
2008-12	SP-42	SP-080832	0043	1	F	Message flow alignment with Stage 3 Sv	8.1.0	8.2.0
2008-12	SP-42	SP-080816	0046	1	F	CS security key derivation for HSPA	8.1.0	8.2.0
2008-12	SP-42	SP-080832	0047	5	F	SRVCC capabilities and SRVCC indication	8.1.0	8.2.0
2008-12	SP-42	SP-080832	0050	1	F	Corrections on call flows	8.1.0	8.2.0
2008-12	SP-42	SP-080832	0051	2	F	CN capability indication by UE	8.1.0	8.2.0
2008-12	SP-42	SP-080816	0054	1	F	Voice component info sent to the MSC Server during SRVCC	8.1.0	8.2.0
2008-12	SP-42	SP-080832	0055	1	F	Removal of PS-PS disabling by MME	8.1.0	8.2.0
2009-03	SP-43	SP-090113	0057	-	F	Corrections regarding the use of transparent containers	8.2.0	8.3.0
2009-03	SP-43	SP-090112	0060	1	F	Replacing PS handover with DTM handover	8.2.0	8.3.0
2009-03	SP-43	SP-090112	0061	1	F	Alignment with Common IMS	8.2.0	8.3.0
2009-03	SP-43	SP-090113	0062	-	F	Correction to suspend response	8.2.0	8.3.0
2009-06	SP-44	SP-090330	0059	4	F	Correction to voice bearer handling in PS HO / DTM scenarios	8.3.0	8.4.0
2009-06	SP-44	SP-090330	0063	3	F	Correction to Target ID usage	8.3.0	8.4.0
2009-06	SP-44	SP-090344	0067	2	F	Source ID for GERAN SRVCC	8.3.0	8.4.0
2009-06	SP-44	SP-090344	0069	2	F	Clarification of STN-SR download and including HSPA to failure scenario	8.3.0	8.4.0
2009-06	SP-44	SP-090344	0070	4	F	Classmark and Codec list handling in SRVCC	8.3.0	8.4.0
2009-06	SP-44	SP-090344	0074	1	F	Corrections regarding the use of transparent containers in HSPA SRVCC	8.3.0	8.4.0
2009-06	SP-44	SP-090344	0079	2	F	On SRVCC from E-UTRAN to 3GPP2 1xCS :Cut and paste error in section 6.1.3	8.3.0	8.4.0
2009-06	SP-44	SP-090344	0084	-	F	Clarification of IMSI and Gr interface in SRVCC	8.3.0	8.4.0
2009-06	SP-44	SP-090330	0086	1	F	Clarification of UE-TADS for SRVCC UEs	8.3.0	8.4.0
2009-06	SP-44	SP-090330	0087	1	F	Support for multiple simultaneous voice bearers	8.3.0	8.4.0
2009-06	SP-44	SP-090344	0089	2	F	SRVCC indicator alignment	8.3.0	8.4.0

Change history								
Date	TSG #	TSG Doc.	CR	Rev	Cat	Subject/Comment	Old	New
2009-09	SP-45	SP-090595	0093	2	F	Handling of non-voice GBR bearers for E-UTRAN/UTRAN to GERAN without DTM support	8.4.0	8.5.0
2009-09	SP-45	SP-090595	0096	-	F	1xSRVCC handover failure indication	8.4.0	8.5.0
2009-09	SP-45	SP-090595	0097	-	F	Correction for CDMA2000 1xRTT version	8.4.0	8.5.0
2009-09	SP-45	SP-090595	0102	-	F	Adding the definition of Correlation MSISDN	8.4.0	8.5.0
2009-09	SP-45	SP-090595	0104	-	F	Clarify the use of the term "C-MSISDN" in TS 23.216	8.4.0	8.5.0

History

Document history		
V8.2.0	January 2009	Publication
V8.3.0	March 2009	Publication
V8.4.0	June 2009	Publication
V8.5.0	October 2009	Publication