

ETSI TS 123 261 V12.0.0 (2014-09)



**Universal Mobile Telecommunications System (UMTS);
LTE;
IP flow mobility and seamless
Wireless Local Area Network (WLAN) offload;
Stage 2
(3GPP TS 23.261 version 12.0.0 Release 12)**



Reference

RTS/TSGS-0223261vc00

Keywords

LTE,UMTS

ETSI

650 Route des Lucioles
F-06921 Sophia Antipolis Cedex - FRANCE

Tel.: +33 4 92 94 42 00 Fax: +33 4 93 65 47 16

Siret N° 348 623 562 00017 - NAF 742 C
Association à but non lucratif enregistrée à la
Sous-Préfecture de Grasse (06) N° 7803/88

Important notice

The present document can be downloaded from:

<http://www.etsi.org>

The present document may be made available in electronic versions and/or in print. The content of any electronic and/or print versions of the present document shall not be modified without the prior written authorization of ETSI. In case of any existing or perceived difference in contents between such versions and/or in print, the only prevailing document is the print of the Portable Document Format (PDF) version kept on a specific network drive within ETSI Secretariat.

Users of the present document should be aware that the document may be subject to revision or change of status. Information on the current status of this and other ETSI documents is available at

<http://portal.etsi.org/tb/status/status.asp>

If you find errors in the present document, please send your comment to one of the following services:

http://portal.etsi.org/chaicor/ETSI_support.asp

Copyright Notification

No part may be reproduced or utilized in any form or by any means, electronic or mechanical, including photocopying and microfilm except as authorized by written permission of ETSI.

The content of the PDF version shall not be modified without the written authorization of ETSI.

The copyright and the foregoing restriction extend to reproduction in all media.

© European Telecommunications Standards Institute 2014.

All rights reserved.

DECT™, **PLUGTESTS™**, **UMTS™** and the ETSI logo are Trade Marks of ETSI registered for the benefit of its Members. **3GPP™** and **LTE™** are Trade Marks of ETSI registered for the benefit of its Members and of the 3GPP Organizational Partners.

GSM® and the GSM logo are Trade Marks registered and owned by the GSM Association.

Intellectual Property Rights

IPRs essential or potentially essential to the present document may have been declared to ETSI. The information pertaining to these essential IPRs, if any, is publicly available for **ETSI members and non-members**, and can be found in ETSI SR 000 314: *"Intellectual Property Rights (IPRs); Essential, or potentially Essential, IPRs notified to ETSI in respect of ETSI standards"*, which is available from the ETSI Secretariat. Latest updates are available on the ETSI Web server (<http://ipr.etsi.org>).

Pursuant to the ETSI IPR Policy, no investigation, including IPR searches, has been carried out by ETSI. No guarantee can be given as to the existence of other IPRs not referenced in ETSI SR 000 314 (or the updates on the ETSI Web server) which are, or may be, or may become, essential to the present document.

Foreword

This Technical Specification (TS) has been produced by ETSI 3rd Generation Partnership Project (3GPP).

The present document may refer to technical specifications or reports using their 3GPP identities, UMTS identities or GSM identities. These should be interpreted as being references to the corresponding ETSI deliverables.

The cross reference between GSM, UMTS, 3GPP and ETSI identities can be found under <http://webapp.etsi.org/key/queryform.asp>.

Modal verbs terminology

In the present document "**shall**", "**shall not**", "**should**", "**should not**", "**may**", "**may not**", "**need**", "**need not**", "**will**", "**will not**", "**can**" and "**cannot**" are to be interpreted as described in clause 3.2 of the [ETSI Drafting Rules](#) (Verbal forms for the expression of provisions).

"**must**" and "**must not**" are **NOT** allowed in ETSI deliverables except when used in direct citation.

Contents

Intellectual Property Rights	2
Foreword.....	2
Modal verbs terminology.....	2
Foreword.....	4
1 Scope	5
2 References	5
3 Definitions and abbreviations.....	6
3.1 Definitions	6
3.2 Abbreviations	6
4 Architecture model and concepts	6
4.1 General concepts	6
4.2 Architecture reference model	7
4.2.1 Non-roaming architecture	7
4.2.1 Roaming architecture.....	7
4.3 High level functions	7
4.3.1 S2c and H1 extensions for IP flow mobility	7
4.3.1.1 General	7
4.3.1.2 DSMIPv6 enhancements	7
4.3.2 Policy provisioning for Inter-system mobility and WLAN offload	8
4.3.3 Policy Control and Charging support	9
4.3.4 Local Operating Environment Information.....	9
5 IP Flow Mobility procedures and flows	9
5.1 General	9
5.2 PDN connection establishment over first access	9
5.2.1 General.....	9
5.2.2 PDN connection establishment over 3GPP access.....	9
5.2.3 PDN connection establishment over WLAN	10
5.3 Addition of an access to a PDN connection	11
5.3.1 General.....	11
5.3.2 Addition of WLAN access.....	12
5.3.3 Addition of 3GPP access	13
5.4 IP flow mobility within a PDN connection	15
5.4.1 General.....	15
5.4.2 IP flow mobility within a PDN connection with network-initiated dynamic PCC	15
5.4.3 IP flow mobility within a PDN connection with UE-initiated resource request	16
5.5 Removal of an access from a PDN connection	18
5.5.1 UE-initiated removal of an access from a PDN connection.....	18
5.5.2 HA-initiated removal of an access from a PDN connection.....	19
5.6 Addition of one access for multiple PDN connections to the same APN.....	21
5.7 Detach and PDN disconnection procedures	21
Annex A (informative): Change history	22
History	23

Foreword

This Technical Specification has been produced by the 3rd Generation Partnership Project (3GPP).

The contents of the present document are subject to continuing work within the TSG and may change following formal TSG approval. Should the TSG modify the contents of the present document, it will be re-released by the TSG with an identifying change of release date and an increase in version number as follows:

Version x.y.z

where:

x the first digit:

- 1 presented to TSG for information;
- 2 presented to TSG for approval;
- 3 or greater indicates TSG approved document under change control.

y the second digit is incremented for all changes of substance, i.e. technical enhancements, corrections, updates, etc.

z the third digit is incremented when editorial only changes have been incorporated in the document.

1 Scope

This document specifies the Stage 2 system description for IP flow mobility between a 3GPP and a WLAN. The technical solution is based on the working principles of DSMIPv6 [2] and it is applicable to both the Evolved Packet System and the I-WLAN mobility architecture.

The specification covers the system description of seamless WLAN offload and IP flow mobility between 3GPP and WLAN as well as the respective interactions with the PCC and ANDSF frameworks. The system description for non seamless WLAN offload is covered in 3GPP TS 23.402 [3].

This document specifies also the detailed extensions to S2c [3] and H1 [4] reference points for IP flow mobility. The extensions to the PCC and to the ANDSF framework are specified respectively in 3GPP TS 23.203 [5] and in 3GPP TS 23.402 [3].

2 References

The following documents contain provisions which, through reference in this text, constitute provisions of the present document.

- References are either specific (identified by date of publication, edition number, version number, etc.) or non-specific.
- For a specific reference, subsequent revisions do not apply.
- For a non-specific reference, the latest version applies. In the case of a reference to a 3GPP document (including a GSM document), a non-specific reference implicitly refers to the latest version of that document *in the same Release as the present document*.

- [1] 3GPP TR 21.905: "Vocabulary for 3GPP Specifications".
- [2] IETF RFC 5555 (June 2009): "Mobile IPv6 support for dual stack Hosts and Routers (DSMIPv6)".
- [3] 3GPP TS 23.402: "Architecture enhancements for non-3GPP accesses".
- [4] 3GPP TS 23.327: "Mobility between 3GPP-Wireless Local Area Network (WLAN) interworking and 3GPP systems".
- [5] 3GPP TS 23.203: "Policy and Charging Control architecture".
- [6] IETF RFC 4877 (April 2007): "Mobile IPv6 Operation with IKEv2 and the Revised IPsec Architecture".
- [7] IETF RFC 5648 (October 2009): "Multiple Care-of Addresses Registration".
- [8] IETF RFC 6089 (January 2011): "Flow Bindings in Mobile IPv6 and Network Mobility (NEMO) Basic Support".
- [9] 3GPP TS 23.234: "3GPP System to Wireless Local Area Network (WLAN) Interworking; System Description".
- [10] 3GPP TS 23.401: "General Packet Radio Service (GPRS) enhancements for Evolved Universal Terrestrial Radio Access Network (E-UTRAN) access".
- [11] 3GPP TS 23.060: "General Packet Radio Service (GPRS); Service description; Stage 2".
- [12] IETF RFC 6088 (January 2011): "Traffic Selectors for Flow Bindings".
- [13] IETF RFC 5846 (June 2010): "Binding Revocation for IPv6 Mobility".
- [14] IETF RFC 6275 (July 2011): "Mobility Support in IPv6".

3 Definitions and abbreviations

3.1 Definitions

For the purposes of the present document, the terms and definitions given in TR 21.905 [1] and the following apply.

The following terms used in this Technical Specification are defined in RFC 6275 [14]: Home Address, Care-of Address, binding cache, binding cache entry.

The following terms used in this Technical Specification are defined in TS 23.402 [3]: Home network prefix.

Home Agent: The Home Agent functionality consists in the DSMIPv6 anchor point functionality described in RFC 5555 [2] and in RFC 4877 [6] and the extensions defined in RFC 5648 [7] and RFC 6089 [8]. As per TS 23.402 [3], the HA functionality is located in the PDN Gateway. As per TS 23.327 [4] the HA functionality can be either a standalone entity or co-located with the GGSN or with the PDG.

Local Operating Environment Information: This is a set of implementation specific parameters which describe the local environment in which the UE is operating.

routing address: A routable IP address. In DSMIPv6 this is either the CoA (visited link case) or the HoA (in home link case).

routing filter: A set of packet flow IP header parameter values/ranges used to identify one or more IP flows for routing purposes.

routing rule: The association of a routing filter with a routing address.

3.2 Abbreviations

For the purposes of the present document, the abbreviations given in TR 21.905 [1] and the following apply.

BID	Binding Identifier
CoA	Care-of Address
DSMIPv6	Dual-Stack Mobile IPv6
EPC	Evolved Packet Core
ePDG	Evolved Packet Data Gateway
EPS	Evolved Packet System
FID	Flow Identifier
GW	Gateway
HA	Home Agent
HoA	Home Address
UE	User Equipment

4 Architecture model and concepts

4.1 General concepts

This document specifies a mechanism for a UE to simultaneously connect to 3GPP access and WLAN and exchange different IP flows belonging to the same PDN connection through different accesses. The mechanism also enables seamless IP flow mobility, with IP flows belonging to the same or different applications being moved seamlessly between a 3GPP access and WLAN.

The solution allows the operator to indicate how the IP flows are routed through the available access systems and to selectively offload some traffic (e.g. best effort traffic) to WLAN while using UTRAN or E-UTRAN for other traffic (e.g. traffic with specific QoS requirements). This is usually referred to as WLAN offload.

The technical solution is based on DSMIPv6 [2] and is applicable to both the Evolved Packet System and the I-WLAN mobility architecture. Since the solution is based on DSMIPv6, IP address preservation and session continuity is provided when moving IP flows from one access to the other.

4.2 Architecture reference model

4.2.1 Non-roaming architecture

The baseline architecture reference model for IP flow mobility when EPS is deployed in the non roaming case is specified in TS 23.402 [3].

The baseline architecture reference model for IP flow mobility when I-WLAN mobility is deployed in the non roaming case is specified in TS 23.327 [4].

The baseline Non-roaming architecture for I-WLAN is specified in TS 23.234 [9].

The baseline Non-roaming architecture for ANDSF is specified in TS 23.402 [3].

4.2.1 Roaming architecture

The baseline architecture reference model for IP flow mobility when EPS is deployed in the roaming case is specified in TS 23.402 [3].

The baseline architecture reference model for IP flow mobility when I-WLAN mobility is deployed in the roaming case is specified in TS 23.327 [4].

The baseline roaming architecture for I-WLAN is specified in TS 23.234 [9].

The baseline roaming architecture for ANDSF is specified in TS 23.402 [3].

4.3 High level functions

4.3.1 S2c and H1 extensions for IP flow mobility

4.3.1.1 General

The granularity of access system connectivity and inter system mobility based on TS 23.402 [3] and TS 23.327 [4] is per PDN connection basis. This implies that when a handover occurs all the IP flows belonging to the same PDN connection are moved from the source access system to the target access system.

With IP flow mobility it is possible to have a finer granularity in access system connectivity and inter system mobility: the handover procedures can be applied to a single or multiple IP flows belonging to the same PDN connection. This implies that some IP flows of one PDN connection can be routed via one access system while simultaneously some IP flows of the same PDN connection can be routed via another access system.

To achieve IP flow mobility the inter-system mobility signalling is enhanced in order to carry routing filters. The extensions to DSMIPv6 mobility signalling needed to carry routing filters when the UE is connected to multiple accesses simultaneously are specified in RFC 5648 [7] and RFC 6089 [8] and are applicable to both S2c and H1.

4.3.1.2 DSMIPv6 enhancements

When a UE configures different IP addresses on multiple accesses, it can register these addresses with the HA as CoAs using multiple bindings as specified in IETF RFC 5648 [7].

To register multiple bindings, the UE generates a Binding ID (BID) for each CoA and stores the BID in the binding update list. The UE then registers its CoAs by sending a Binding Update (BU) with a Binding Identifier mobility option. The BID is included in the Binding Identifier mobility option. When the UE is on the home link in one of the access, the CoA field is set to the HoA in the respective BID.

When the HA receives the BU with a Binding Identifier mobility option, it copies the BID from the mobility option to the corresponding field in the Binding Cache entry. If there is an existing Binding Cache entry for the UE, and if the BID in the BU does not match the one with the existing entry, the HA creates a new Binding Cache entry for the new CoA and BID.

Based on this extension, a typical Binding Cache in HA according to this specification in case the UE is not on the home link is shown in Table 4.3.1.2-1.

NOTE: A BID is only unique for a given HoA, i.e. different mobile nodes can use the same BID value.

Table 4.3.1.2-1: Binding Cache in HA supporting multiple CoAs registration

Home Address	Care-of Address	Binding ID	Priority
HoA1	CoA1	BID1	x
HoA1	CoA2	BID2	y
...

In order to route IP flows through a specific access, the UE needs to request to store routing filters for that access at the HA: the UE includes the Flow Identification (FID) mobility option in the BU message as defined in RFC 6089 [8]. The FID option defines a routing rule which contains a routing filter and a routing address. The routing address (either CoA or HoA) is indicated by the BID. The routing filter is included in the DSMIPv6 signalling as described in RFC 6088 [12]. The routing filters are unidirectional and can be different for uplink and downlink traffic.

It is assumed that between UE and the Home Agent function there is always a default routing address via which packets not matching any specific routing filter are routed. The UE provides a relative priority with each BID, where the BID with the highest priority is the default route. The UE may update the priority of a BID during IP flow mobility procedures.

To install/remove/move an IP flow, the UE shall create a new IP flow binding or remove/update the IP flow binding at the HA by using DSMIPv6 signalling as specified in RFC 5555 [2], RFC 5648 [7] and RFC 6089 [8].

An example of a typical Binding Cache in HA with routing filters is shown in Table 4.3.1.2-2. Note that a FID is only unique for a given HoA, i.e. different PDN connections can use the same FID value. Each flow binding entry contains a relative priority.

Table 4.3.1.2-2: Binding Cache in HA supporting flow bindings

Home Address	Routing Address	Binding ID	BID Priority	Flow ID	FID Priority	Routing Filter
HoA1	CoA1	BID1	x	FID1	a	Description of IP flows...
				FID2	b	Description of IP flows...
HoA1	CoA2	BID2	y	FID3

NOTE: This clause shows only a conceptual representation of the binding cache. The actual format is implementation specific.

4.3.2 Policy provisioning for Inter-system mobility and WLAN offload

In order to allow the operator to indicate to the UE through which access technology IP flows are expected to be routed, inter system routing policies are introduced in TS 23.402 [3]. Such policies can be defined per APN, per IP flow class under any APN or per IP flow class under a specific APN and can be provided to the UE either through ANDSF or by means of static pre-configuration.

For IP flows that are routed over WLAN, the inter system routing policies also specify whether the traffic should be routed through the HA or directly via the WLAN access, bypassing the HA.

The normative procedures for ANDSF and UE can be found in TS 23.402 [3].

4.3.3 Policy Control and Charging support

When IP flow mobility is used and PCC is deployed, the PCC architecture is enhanced to handle multiple simultaneous access connections for a single IP-CAN session. These enhancements require the PDN GW to keep the PCRF up to date about the current routing address for each IP flow.

The detailed description of the normative procedures for PCC enhancements can be found in TS 23.203 [5].

4.3.4 Local Operating Environment Information

In addition to operator policy and user preferences, the UE may take into account the Local Operating Environment Information when deciding which access to use for an IP flow.

The actual Local Operating Environment Information is implementation dependent and may comprise of such items as, radio environment information, quality of IP connection, application specific requirements, power considerations, etc.

5 IP Flow Mobility procedures and flows

5.1 General

This section describes the IP flow mobility procedures for different scenarios. The call flows are described in a common way for I-WLAN and EPS and the procedures which are applicable to EPS only are marked as optional and identified as not applicable to an I-WLAN mobility deployment. Furthermore the call flows do not differentiate between trusted or untrusted accesses as the IP flow mobility procedures are common as soon as the UE configures a Care-of Address.

5.2 PDN connection establishment over first access

5.2.1 General

This clause specifies the additional UE procedures when establishing a PDN connection through a 3GPP or through a WLAN access when the UE supports IP flow mobility. In these flows it is assumed that the UE has not established the PDN connection through any access yet.

NOTE: In the rest of the document the PDN connection establishment procedure is meant to be PDP context activation procedure in case of I-WLAN mobility architecture.

5.2.2 PDN connection establishment over 3GPP access

The UE performs the initial PDN connection establishment to a 3GPP access as shown in Figure 5.2.2-1. This procedure applies independently whether the UE attaches to EPS or GPRS.

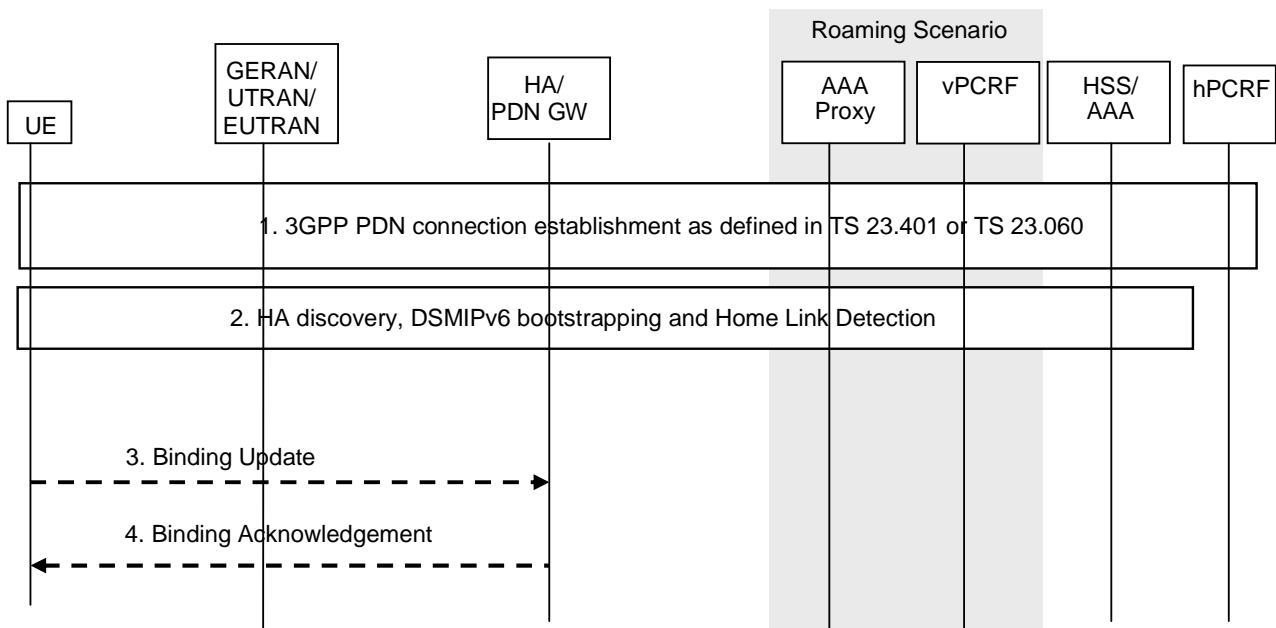


Figure 5.2.2-1: PDN connection procedure over 3GPP access

1. The initial PDN establishment procedure is performed by the UE according to TS 23.401 [10] or TS 23.060 [11], depending if the PDN connection establishment is to EPS or GPRS. During this step an IPv4 address and/or an IPv6 address/prefix is assigned to the UE.
2. The UE performs HA discovery, DSMIPv6 bootstrapping and the home link detection procedure as described in TS 23.402 [3] or TS 23.327 [4].

If the UE requests the home network prefix in the Protocol Configuration Option (as in TS 23.402 [3]), the UE shall request in the Protocol Configuration Option an indication of HA support of IP flow mobility.

If the UE obtains the home network prefix using the IKEv2 procedure, the UE shall use IKEv2 signaling to indicate IFOM support. The HA supporting IFOM shall use IKEv2 signaling to confirm the IFOM support.

If the HA does not support IFOM, the UE shall disable IFOM capabilities for that PDN connection.

The presence of ANDSF inter-system routing policies for a given PLMN may be considered by the UE as an implicit indication that the Home Agents of that PLMN support IP flow mobility. If the UE has ANDSF inter-system routing policies, the UE may skip the IKEv2 and PCO procedures to check the IFOM support of the PDN GW for the PDN GWs residing in the PLMN where the ANDSF policies are valid.

3. If the UE detects it is not on the home link, the UE sends a DSMIPv6 Binding Update (HoA, CoA, Lifetime, BID) message to the HA as specified in RFC 5555 [2] and RFC 5648 [7]. The inclusion of the BID mobility option at this stage is an indication that the UE supports IP Flow Mobility extensions. The UE may also include some FID mobility options as described in RFC 6089 [8].

NOTE: This step cannot happen in case IP flow mobility is used in EPS as 3GPP is always the home link in EPS.

4. The HA validates the BU, installs the IP flow mobility routing rules, establishes the DSMIPv6 bindings and sends a BA to the UE per RFC 5555 [2], RFC 5648 [7] and RFC 6089 [8].

5.2.3 PDN connection establishment over WLAN

The UE performs the initial PDN connection establishment over a WLAN access as shown in Figure 5.2.3-1.

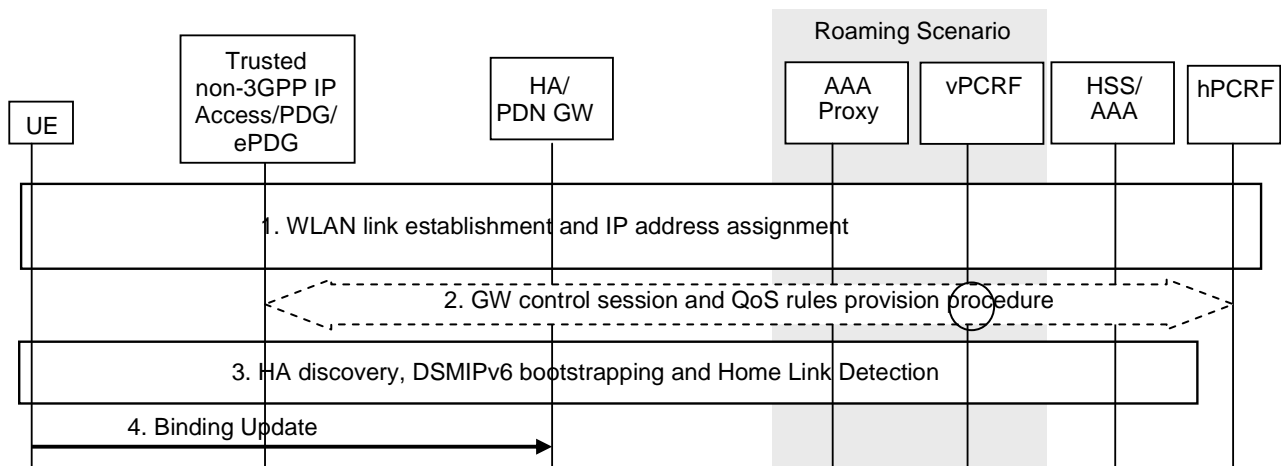


Figure 5.2.3-1: PDN connection procedure over non-3GPP access

1. The UE connects to the WLAN and configures an IPv4 address and/or an IPv6 address/prefix. Depending on the specific scenario considered the UE attaches either to a trusted WLAN, an ePDG via an untrusted WLAN or to a PDG via a I-WLAN access as specified in TS 23.402 [3] or TS 23.327 [4]. If the UE connects to PDG or ePDG, an IPv4 address and/or an IPv6 address/prefix is assigned to the UE.
2. If the UE connects to a Trusted non-3GPP access and dynamic PCC is deployed, a GW control session may be established as specified in TS 23.203 [5].
3. The UE performs HA discovery, DSMIPv6 bootstrapping and the home link detection procedure as described in TS 23.402 [3] or TS 23.327 [4].

During the home link detection procedure in IKEv2, the UE shall use IKEv2 signalling to indicate IFOM support. The HA supporting IFOM shall use IKEv2 signalling to confirm the IFOM support.

If the HA does not support IFOM, the UE shall disable IFOM capabilities for that PDN connection.

The presence of ANDSF inter-system routing policies for a given PLMN may be considered by the UE as an implicit indication that the Home Agents of that PLMN support IP flow mobility. If the UE has ANDSF inter-system routing policies, the UE may skip the IKEv2 and PCO procedures to check the IFOM support of the PDN GW for the PDN GWs residing in the PLMN where the ANDSF policies are valid.

4. If the UE detects it is not on the home link, the UE sends a DSMIPv6 Binding Update (HoA, CoA, Lifetime, BID) message to the HA as specified in RFC 5555 [2] and RFC 5648 [7]. The inclusion of the BID mobility option at this stage is an indication that the UE supports IP Flow Mobility extensions. The BID mobility option contains the Binding ID of the WLAN access. The UE may also include some FID mobility options as described in RFC 6089 [8].
5. If the HA function is located in the PDN GW and dynamic PCC is deployed, the PDN GW performs an IP-CAN session establishment procedure with the PCRF as specified in TS 23.203 [5].
6. The HA validates the BU, installs the IP flow mobility routing rules, establishes the DSMIPv6 bindings and sends a BA to the UE per RFC 5555 [2], RFC 5648 [7] and RFC 6089 [8].

5.3 Addition of an access to a PDN connection

5.3.1 General

This clause specifies the additional procedures for adding an access to an existing PDN connection over a 3GPP access or a WLAN access when the UE supports IP flow mobility. In these flows it is assumed that the UE has performed a PDN Connection establishment procedure through one access as specified in clause 5.2. Subsequently the UE attaches to a second access and starts using both accesses for the same PDN connection. As a result the UE is simultaneously connected via both accesses and a set of traffic flows are routed through one access while the remaining traffic flows are routed through the other access.

Non-roaming, home routed roaming and Local Breakout cases are supported by this procedure. The AAA proxy and vPCRF are only used in the case of home routed roaming and Local Breakout. In non-roaming scenarios, the AAA proxy and vPCRF are not involved.

The optional interaction steps between the gateways and the PCRF in the procedures only occur if dynamic policy provisioning is deployed in EPC. These steps are never present when the solution is applied to I-WLAN mobility architecture according to TS 23.327 [4].

5.3.2 Addition of WLAN access

After successfully attachment to 3GPP access, the UE has established a PDN connection over 3GPP access as specified in clause 5.2.2. Subsequently the UE performs the WLAN attachment, and requests to establish a PDN connection using the same APN, and attempts to use both accesses for the same PDN connection simultaneously. The WLAN access may be considered as the UE's foreign link from DSMIPv6 perspective.

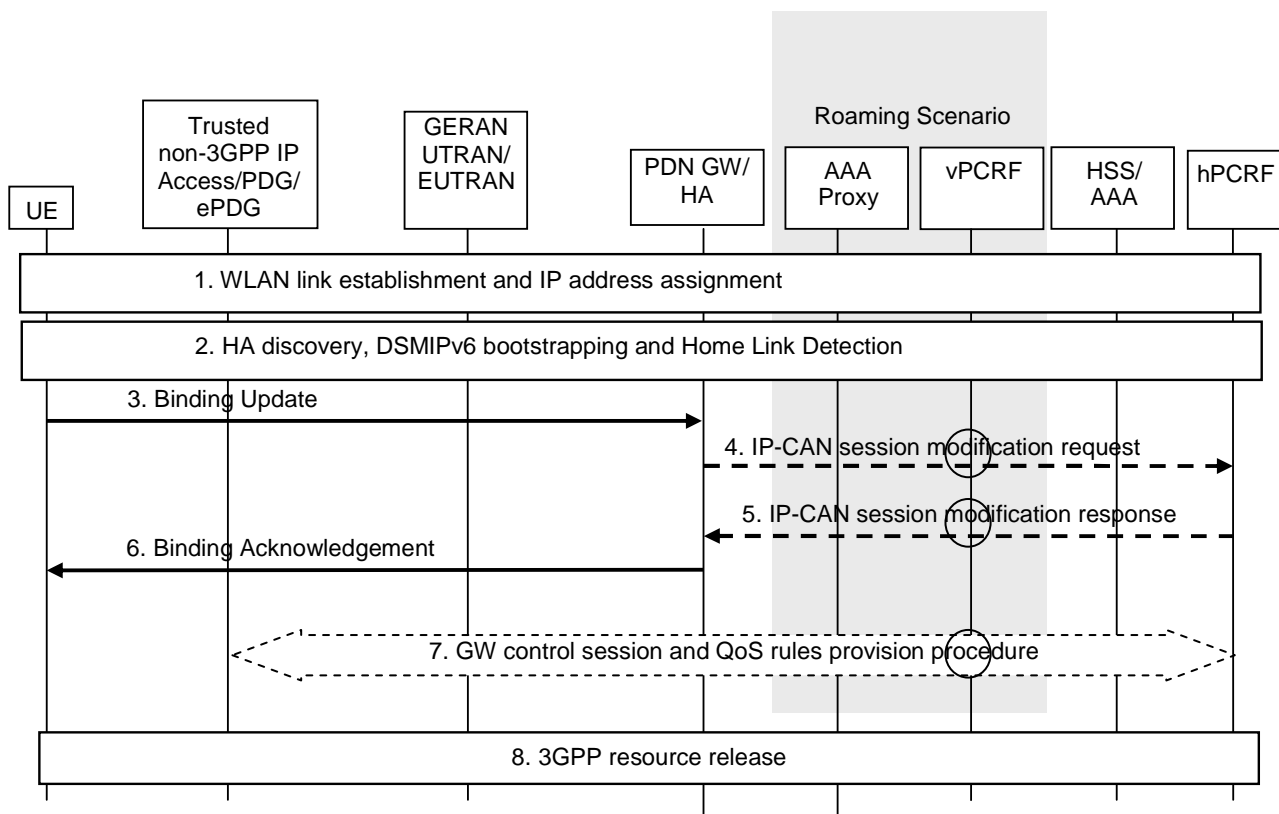


Figure 5.3.2-1: Addition of WLAN access to the PDN connection

The signalling flow above shows the particular case where the UE is first connected to a 3GPP access and then it requests addition of a WLAN access.

1. The UE discovers a WLAN and connects to it and configures an IPv4 address and/or an IPv6 address/prefix according to TS 23.402 [3] or TS 23.327 [4], depending whether the WLAN access is used in the context of EPC or I-WLAN mobility architecture.
2. The UE performs HA discovery, DSMIPv6 bootstrapping and DSMIPv6 home link detection procedure according to TS 23.402 [3] unless already performed in the 3GPP access.
3. The UE sends a DSMIPv6 Binding Update (HoA, CoA, Lifetime, BID, FID, flow description) message to the HA over the WLAN access. The UE may include the requested routing rules via the FID mobility option with both the routing filters and the BID (which includes the routing address) as specified in IETF RFC 5555 [2], IETF RFC 5648 [7] and RFC 6089 [8]. The UE can include more than one routing rule by including multiple FID mobility options in the Binding Update. The DSMIPv6 Binding Update also contains an indication which indicates that the home link (3GPP access) is still connected and also the BID mobility options which identify that one binding is associated with the home address (3GPP access) and the other with the Care-of-Address from

the WLAN access. The UE also indicates in the Binding Update which is the default binding where the HA should route packets not matching any FID as specified in RFC 6089 [8].

4. In case the HA function is located in the PDN GW and dynamic PCC is deployed, the PDN GW sends an IP-CAN session modification request to the PCRF. In this request, the PDN GW provides the updated routing rules to the PCRF. The PCRF stores the mapping between each SDF and its routing address.
5. If the HA function is located in the PDN GW, based on the successful establishment of resources at the BBERF, the PCRF sends an acknowledgement to the PDN GW, including updated PCC rules if appropriate.
6. The HA creates a DSMIPv6 binding, installs the IP flow routing rules and sends a Binding Acknowledgment (Lifetime, HoA, CoA, BID, FID) as specified in RFC 5555 [2], RFC 5648 [7] and RFC 6089 [8], to indicate which routing rules requested by the UE are accepted.

The PDN GW may send message 6 before receiving the reply from PCRF in message 5.

7. Based on the IP-CAN session modification request (if step 4 was performed), the PCRF ensures that the relevant QoS rules for the SDFs are installed in the target BBERF. This is done by a GW control session and QoS rules provision procedure as specified in TS 23.203 [5].
8. In case the HA function is located in the PDN GW, appropriate 3GPP resource release procedures are executed for the resources associated with the flows that were moved away from the 3GPP source access. This procedure may be triggered by the PCRF via a GW control session and QoS rules provision procedure if PMIPv6 is used on S5 and it may be triggered by the PDN GW in case GTP is used on S5.

If the HA function is implemented in I-WLAN mobility, the UE may initiate GPRS resource release procedures for those resources that were moved away from the 3GPP source access, as specified in TS 23.060 [11].

5.3.3 Addition of 3GPP access

After successfully attachment to WLAN access, the UE has established a PDN connection over WLAN as specified in clause 5.2.3. As the UE detected the WLAN access is not the home link from DSMIPv6 perspective, DSMIPv6 signalling was triggered over the WLAN access.

Subsequently, as described in this clause, the UE performs the initial attachment procedure or PDN Connection establishment procedure over a 3GPP access and establishes a PDN connection using the same APN, as described in TS 23.060 [11], TS 23.401 [10] or TS 23.402 [3]. As the UE has indicated IP flow mobility during the initial attachment over WLAN, the 3GPP access attachment completion shall not trigger the DSMIPv6 binding deregistration.

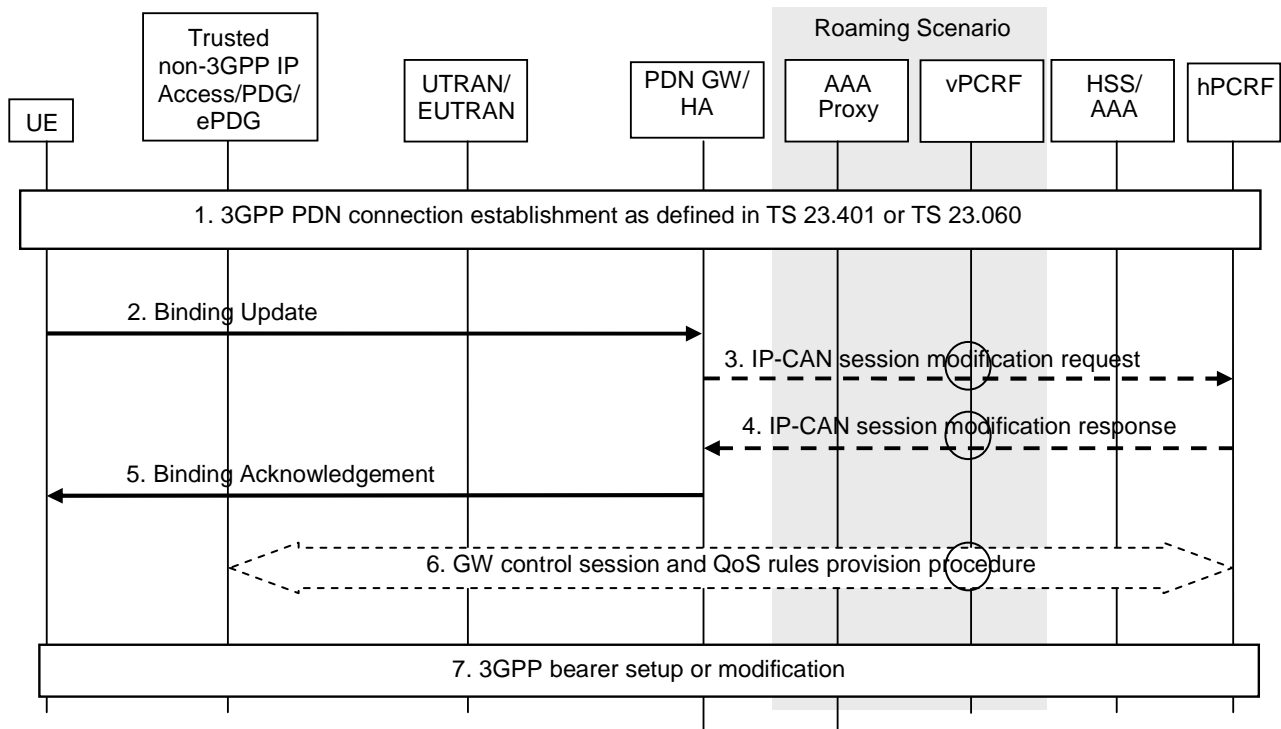


Figure 5.3.3-1: Addition of 3GPP access to the PDN connection

The signalling flow above shows the particular case where the UE is first connected to a WLAN access and then it requests addition of a 3GPP access.

- The UE discovers a 3GPP access and performs the Attach or PDN Connection establishment procedure according to TS 23.401 [10] or TS 23.060 [11]. Specifically, the UE sets the Request Type to Handover to facilitate the MME selects the same PDN GW/HA as the UE connects in WLAN Access. Since the UE has indicated IP flow mobility support during the initial attachment over WLAN, the HA shall not deregister the DSMIPv6 binding by sending a Binding Revocation Indication towards the WLAN access.
- The UE sends a DSMIPv6 Binding Update (HoA, CoA, Lifetime, BID, FID, flow description) message to the HA over the 3GPP access. The UE may include the requested routing rules via the FID mobility option with both the routing filters and the BID (which includes the routing address) as specified in RFC 5555 [2], RFC 5648 [7] and RFC 6089 [8]. If the 3GPP access is the home link, the UE sets the 'H' flag in the respective BID mobility option, as specified in RFC 6089 [8]. The UE can include more than one routing rule by including multiple FID mobility options in the Binding Update. The UE also indicates in the Binding Update which is the default binding where the HA should route packets not matching any FID as specified in RFC 6089 [8].
- In case the HA function is located in the PDN GW and dynamic PCC is deployed, the PDN GW sends an IP-CAN session modification request to the PCRF. In this request, the PDN GW provides the updated routing rules to the PCRF. The PCRF stores the mapping between each SDF and its routing address.
- If the HA function is located in the PDN GW, based on the successful establishment of resources at the BBERF, the PCRF sends an acknowledgement to the PDN GW, including updated PCC rules if appropriate.
- The HA sends a Binding Acknowledgment (Lifetime, HoA, CoA, BID, FID) as specified in RFC 5555 [2], RFC 5648 [7] and RFC 6089 [8], to indicate which routing rules requested by the UE are accepted.

The PDN GW/HA may send message 5 before receiving the reply from PCRF in message 4.

- Based on the IP-CAN session modification request (if step 3 was performed), the PCRF ensures that the relevant QoS rules for the SDFs are installed in the target BBERF. This is done by a GW control session and QoS rules provision procedure as specified in TS 23.203 [5].
- In case the HA function is located in the PDN GW, appropriate 3GPP bearer setup or modification procedures are executed for the resources associated with the flows that were moved onto the 3GPP access. This procedure

may be triggered by the PCRF via a GW control session and QoS rules provision procedure if PMIPv6 is used on S5 and it may be triggered by the PDN GW in case GTP is used on S5.

If the HA function is implemented in I-WLAN mobility, the UE may initiate GPRS bearer setup or modification procedures for those resources that were moved onto the 3GPP access, as specified in TS 23.060 [11].

5.4 IP flow mobility within a PDN connection

5.4.1 General

This clause specifies the IP flow mobility procedures within a PDN connection. In these procedures the UE is assumed to simultaneously connect via a 3GPP access and a WLAN access. The UE is using both the accesses for the same PDN connection. Subsequently, the UE adds/modifies/deletes/moves between accesses IP flows using DSMIPv6 messages.

Non-roaming, home routed roaming and Local Breakout cases are supported by this procedure. The AAA proxy and vPCRF shown in Figure 5.4.2-1 are only used in the case of home routed roaming and Local Breakout. In non-roaming scenarios, the AAA proxy and vPCRF are not involved.

The optional interaction steps between the gateways and the PCRF in the procedures only occur if dynamic policy provisioning is deployed in EPC. These steps are not present when the solution is applied to I-WLAN mobility architecture according to TS 23.327 [4].

There are two scenarios, depending on UE initiates the QoS establishment in the target access or the network performs the QoS establishment when the IP flow is moved.

5.4.2 IP flow mobility within a PDN connection with network-initiated dynamic PCC

In this scenario the UE moves one or more IP flow(s) from one access to the other access and network-initiated dynamic PCC is used to set up or remove appropriate resources.

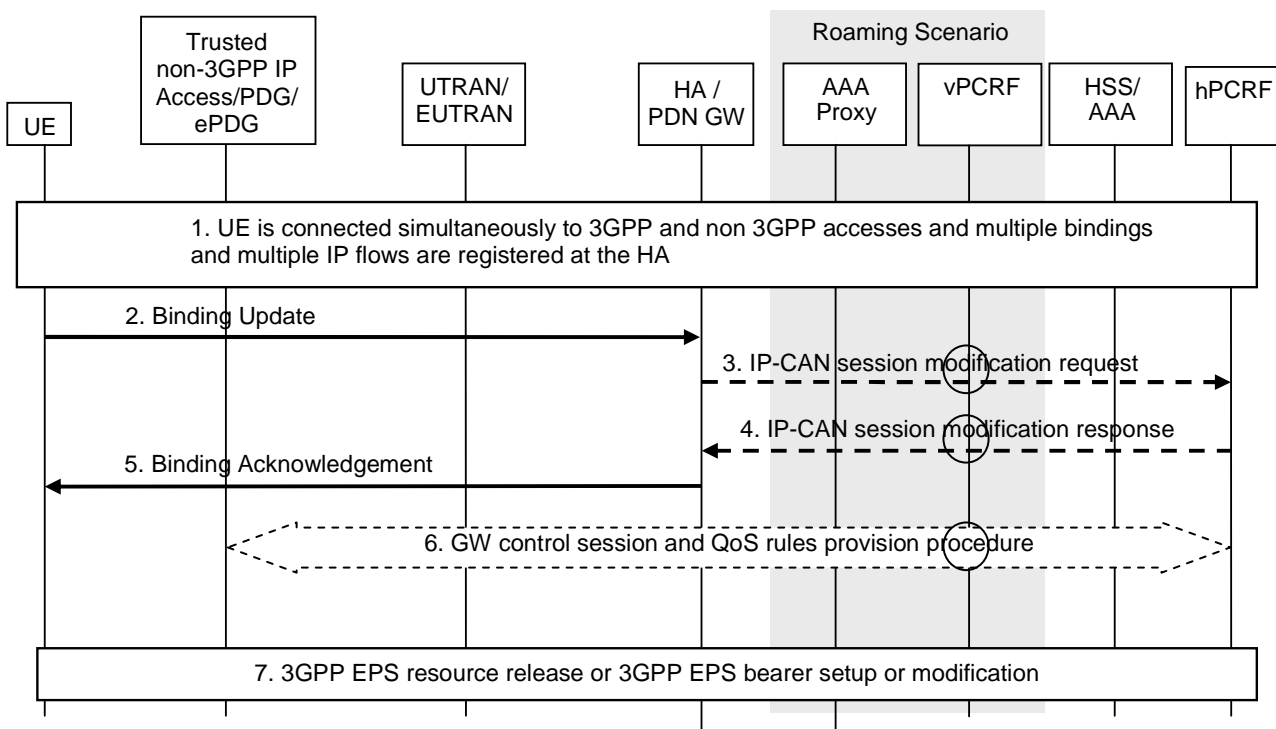


Figure 5.4.2-1: IP Flow Mobility and network initiated dynamic PCC

1. The UE is simultaneously connected to a 3GPP access and a WLAN access based on the procedures specified in clauses 5.2 and 5.3. Based on current routing rules some traffic is routed through the 3GPP access and some other traffic through the WLAN access.
2. The UE sends a Binding Update (HoA, BID, FID) as specified in RFC 5555 [2], RFC 5648 [7] and RFC 6089 [8] to the HA to install a new routing rule or to modify the routing address of an existing routing rule to route the respective traffic (identified by the included FID) through one particular access (identified by the included BID) or to remove an existing routing rule. In case of new routing rule with a new FID mobility option, the UE includes the routing filter description.

NOTE: The UE can send the Binding Update either from the 3GPP or from the WLAN access irrespective of which access the IP flow is moved to.

3. In case the HA function is implemented in EPC, the PDN GW sends an IP-CAN session modification request to the PCRF. In this request the PDN GW provides the updated routing rules to the PCRF. The PCRF stores the updated mapping between routing addresses and SDFs.
4. If the HA function is implemented in EPC, based on the successful establishment of resources in the WLAN access, the PCRF sends an acknowledgement to the PDN GW, including updated PCC rules if appropriate.
5. The HA sends a Binding Acknowledgment (Lifetime, HoA, BID, FID) as specified in RFC 5555 [2], RFC 5648 [7] and RFC 6089 [8], to indicate which routing rules requested by the UE are accepted.

The PDN GW/HA may send message 5 before receiving the reply from PCRF in message 4.

6. If the HA function is implemented in EPC, based on the IP-CAN session modification request, the PCRF ensures that the relevant QoS rules are installed in the target access or the relevant QoS rules are uninstalled from the source access. For non-3GPP access, this is done by a GW control session and QoS rules provision procedure as specified in TS 23.203 [5].
7. If the HA function is implemented in EPC, appropriate EPS resource release procedures are executed for those resources that were moved away from the 3GPP source access or appropriate EPS resource allocation procedures are executed for those resources that were moved onto the 3GPP access, as specified in TS 23.402 [3]. This procedure may be triggered by the PCRF via a GW control session and QoS rules provision procedure if PMIPv6 is used on S5 and it may be triggered by the PDN GW in case GTP is used on S5.

5.4.3 IP flow mobility within a PDN connection with UE-initiated resource request

In this scenario the UE requests for resources in the target access with UE-initiated procedures and when the resources are provided, the UE moves one or more IP flow(s) to the target access.

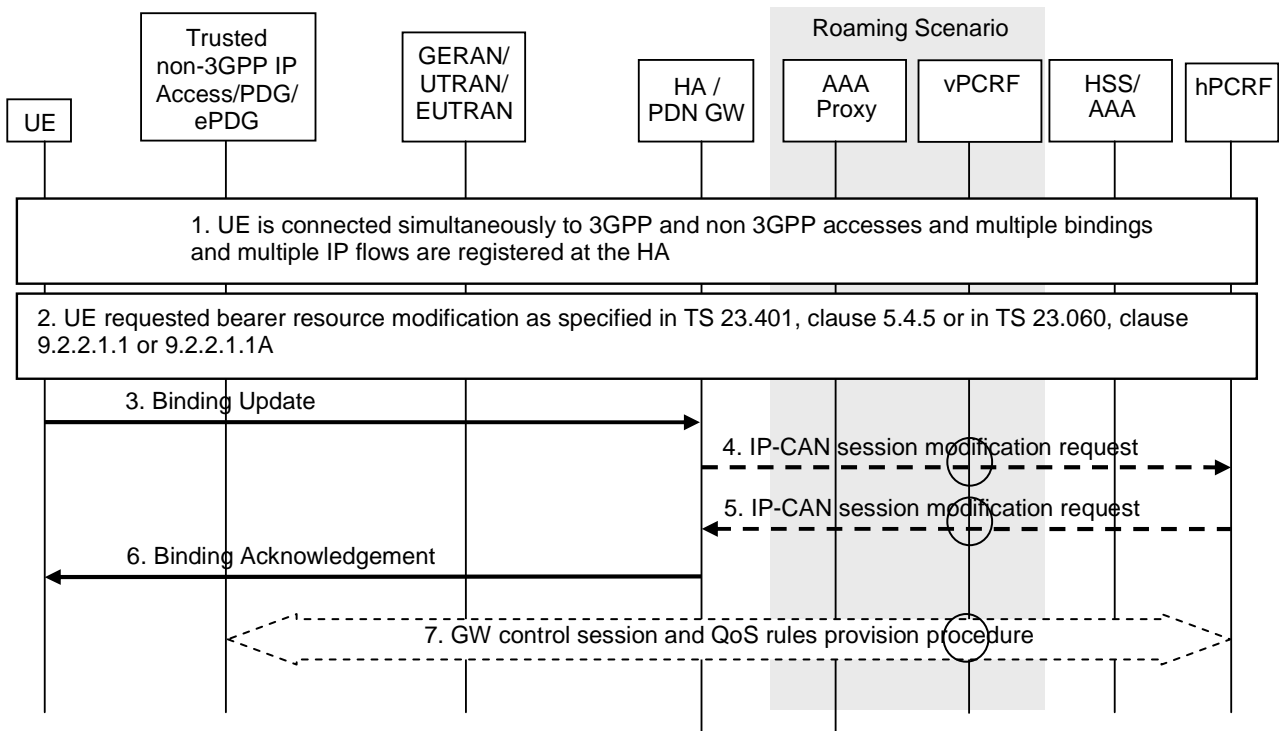


Figure 5.4.3-1: IP Flow Mobility and UE initiated resource request

1. The UE is simultaneously connected to a 3GPP access and a WLAN access based on the procedures specified in clauses 5.2 and 5.3. Based on current routing rules some traffic is routed through the 3GPP access and some other traffic through the WLAN access.
2. Before moving an IP flow currently routed over WLAN to the 3GPP access, the UE requests appropriate resources in the 3GPP access. This is done as specified in clause 5.4.5 of TS 23.401 [10] or in clause 9.2.2.1.1 or 9.2.2.1.1A of TS 23.060 [11]. In this procedure the UE includes the packet filters related to the requested resources. In this step if the HA function is implemented in EPC, the PDN GW may interact with the PCRF to trigger the appropriate PCC decision. The PCRF can authorize the resource establishment but since there is no change in the routing rules provided by the PDN GW.

NOTE 1: After this step and until step 5 is performed, resources are allocated in two accesses for the same SDF.

3. The UE sends a Binding Update (HoA, BID, FID) as specified in RFC 5555 [2], RFC 5648 [7] and RFC 6089 [8] to the HA to install a new routing rule or to modify the routing address of an existing routing rule to route the respective traffic (identified by the included FID) through one particular access (identified by the included BID) or to remove an existing routing rule. In case of new routing rule with a new FID mobility option, the UE includes the routing filter description.

NOTE 2: The UE can send the Binding Update either from the 3GPP or from the WLAN access irrespective of which access the IP flow is moved to.

NOTE 3: The routing filters included in the BU can be different from the packet filters included in step 2 by the UE. QoS will be provided only based on the packet filters installed in step 2 but the UE can include different, e.g. more generic, routing filters in this operation.

4. In case the HA function is implemented in EPC, the PDN GW sends an IP-CAN session modification request to the PCRF. In this request the PDN GW provides the updated routing rules to the PCRF. The PCRF stores the updated mapping between routing addresses and SDFs.
5. If the HA function is implemented in EPC, based on the successful establishment of resources in the WLAN access, the PCRF sends an acknowledgement to the PDN GW, including updated PCC rules if appropriate.
6. The HA sends a Binding Acknowledgment (Lifetime, HoA, BID, FID) as specified in RFC 5555 [2], RFC 5648 [7] and RFC 6089 [8], to indicate which routing rules requested by the UE are accepted.

The PDN GW may send message 6 before receiving the reply from PCRF in message 5.

7. If the HA function is implemented in EPC, based on the IP-CAN session modification request, the PCRF ensures that the resources associated with the routing filters moved to the 3GPP access are released. This is done by a GW control session and QoS rules provision procedure as specified in TS 23.203 [5].

5.5 Removal of an access from a PDN connection

5.5.1 UE-initiated removal of an access from a PDN connection

In this scenario, the UE is attached to a 3GPP access and a WLAN access and is using both the accesses for the same PDN connection. Subsequently, the UE moves all IP flows associated with one access to another access and disconnects from the one access (e.g. due to loss of coverage or by an explicit detach).

The optional interaction steps between the gateways and the PCRF in the procedures only occur if dynamic policy provisioning is deployed in EPC. These steps are never present when the solution is applied to I-WLAN mobility architecture according to TS 23.327 [4].

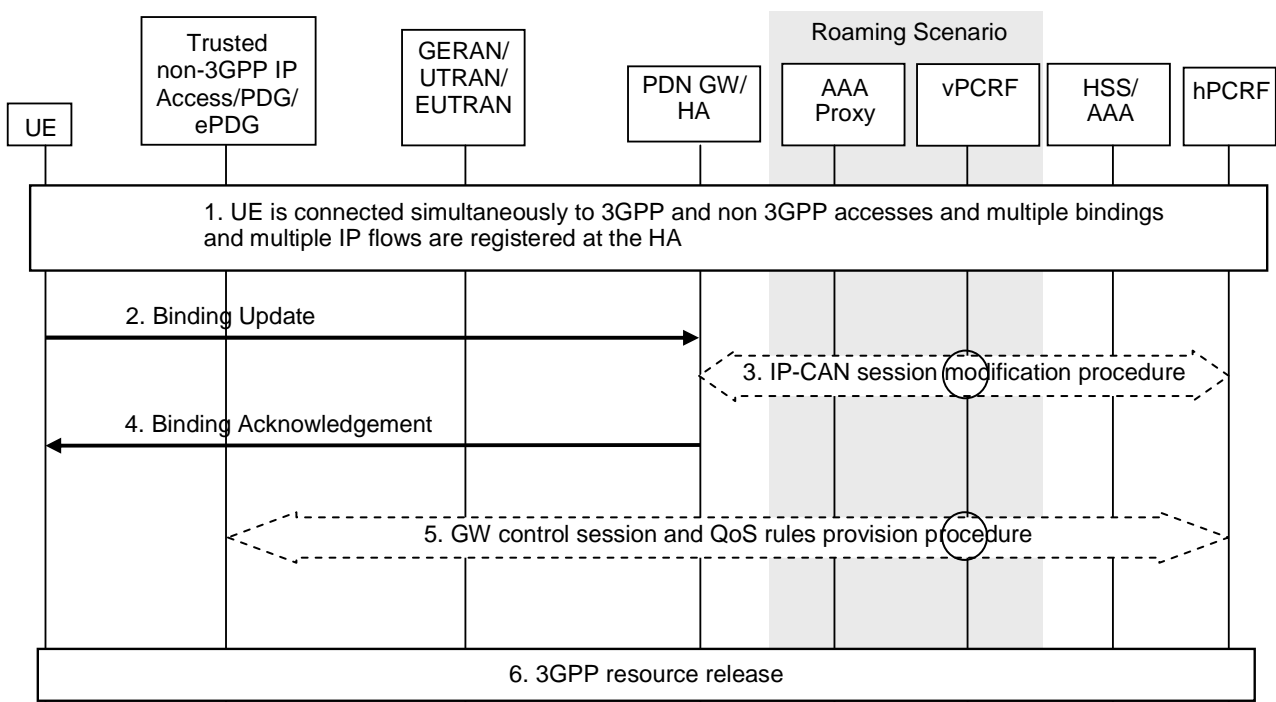


Figure 5.5-1: Removal of one access from the PDN connection

1. The UE is simultaneously connected to a 3GPP access and a WLAN access based on the procedures specified in clauses 5.2 and 5.3. Based on current routing rules some IP flows are routed through the 3GPP access and some other IP flows through the WLAN access.
2. The UE decides to move all IP flows to one access and to disconnect from the other access (e.g. due to loss of coverage, based on internal trigger, based on updated policies from ANDSF).
 - a. If UE disconnects one access (either a home link or a foreign link) and maintains the other access which is the foreign link, the UE sends a Binding Update (Lifetime, HoA, BID) to the HA with lifetime set to 0 to remove the BID of the access it disconnects from. Or, alternatively, the UE sends a Binding Update (HoA, BID) over the maintained foreign link to the HA with lifetime set to non-zero, the BID of the maintained foreign link, and "O" flag set.
 - b. If the UE disconnects the WLAN access which is a foreign link and maintains only the 3GPP access which is the home link, the UE sends a Binding Update with lifetime 0 without any BID. This de-registration Binding Update can be sent from any available access.

3. In case the HA function is located in the PDN GW, the PDN GW initiates the IP-CAN session modification procedure with the PCRF. In this procedure, the PDN GW removes the routing address related to the removed BID associated with the IP-CAN session.
4. The HA sends a Binding Acknowledgment (Lifetime, HoA, BID) as specified in RFC 5555 [2], RFC 5648 [7] and RFC 6089 [8].

NOTE 1: As specified in RFC 6089 [8] the routing rules which point to a routing address which is not registered become inactive and don't influence the routing of the packets, i.e. there is no need for the UE to change the routing rules as all packets will be anyway routed to the only existing binding.

5. If the HA function is located in the PDN GW, as part of the IP-CAN session modification procedure initiated in step 3, the PCRF ensures that the relevant QoS rules for the SDFs are installed in the target BBERF. This is done by a GW control session and QoS rules provision procedure as specified in TS 23.203 [5].
6. If in step 2 the UE has removed the BID associated with the 3GPP access and maintained the BID for the WLAN access, the PDN GW shall initiate the PDN GW Initiated PDN Disconnection procedure in 3GPP access as defined in TS 23.402 [3], clause 5.6.2.2 or the PDN GW Initiated Bearer Deactivation procedure as defined in TS 23.401 [10], clause 5.4.4.1. The PDN GW shall set the release cause to 'RAT changed from 3GPP to Non-3GPP' to avoid the MME remove the PDN GW ID from the HSS. In case of I-WLAN mobility architecture and the UE has removed the BID associated with the 3GPP access, the UE may initiate PDP Context Deactivation as described in TS 23.060 [11].

If the BID associated with the WLAN access is removed, according to TS 23.402 [3] the security associations between the UE and the HA should not be immediately deleted. As the security associations were created dynamically using IKEv2 they will be automatically deleted when they expire. Similarly, for I-WLAN mobility architecture, the H2 session between the HA and the AAA Server should not be immediately deleted. The H2 session will be deleted by the HA immediately after security associations are deleted. In case of I-WLAN mobility architecture, the UE may initiate release of the IKEv2 security association with the PDG according to TS 23.234 [9].

NOTE 2: In case a detach from 3GPP access needs to be triggered, e.g. based on O&M, a PDN GW initiated PDN disconnection procedure is used instead of a MME/SGSN-initiated detach/PDN disconnection procedure.

5.5.2 HA-initiated removal of an access from a PDN connection

In this scenario, the UE is attached to a 3GPP access and a WLAN access and is using both the accesses for the same PDN connection. The HA disconnects the UE from the one access (e.g. due to change of subscription) .

The optional interaction steps between the gateways and the PCRF in the procedures only occur if dynamic policy provisioning is deployed in EPC. These steps are never present when the solution is applied to I-WLAN mobility architecture according to TS 23.327 [4].

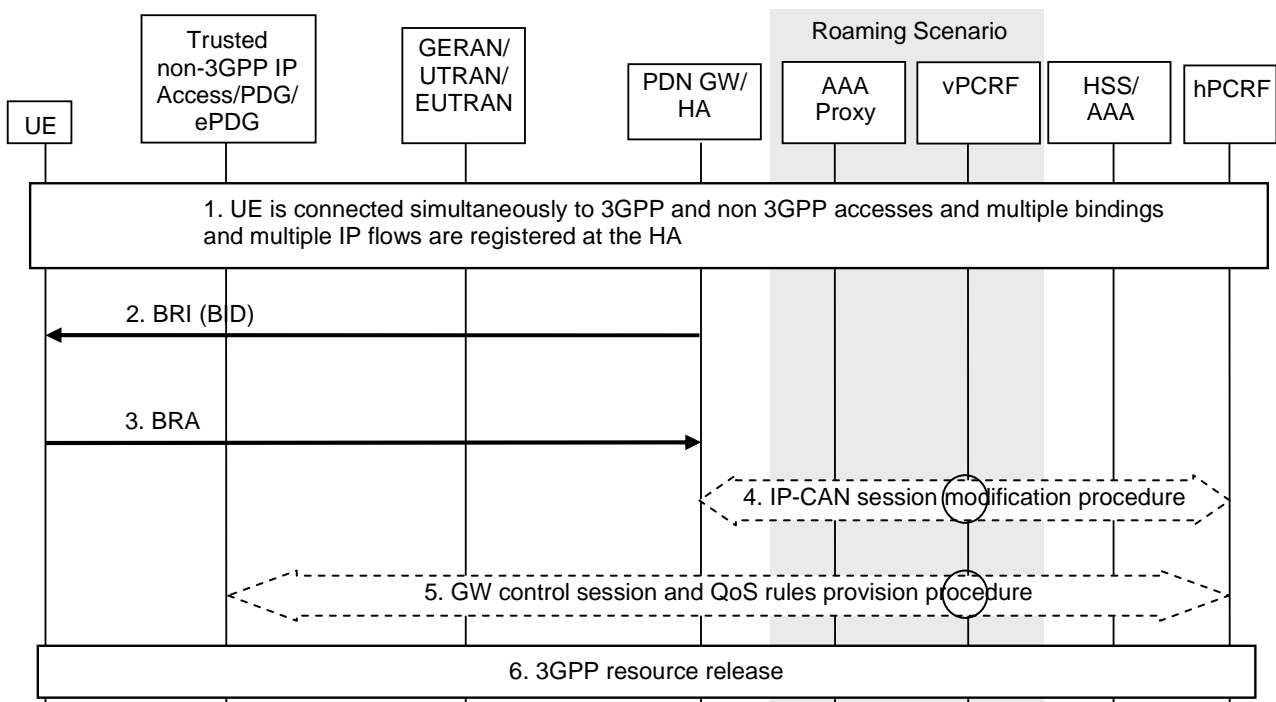


Figure 5.5-1: Removal of one access from the PDN connection

1. The UE is simultaneously connected to a 3GPP access and a WLAN access based on the procedures specified in clauses 5.2 and 5.3. Based on current routing rules some IP flows are routed through the 3GPP access and some other IP flows through the WLAN access.
2. The HA sends a BRI message including a BID mobility option to remove only one of the binding registered for the UE as defined in IETF RFC 5846 [13].

NOTE: If HA disconnects the UE from the WLAN access and the 3GPP access is the home link, alternatively the HA can terminate the DSMIPv6 session omitting the BID mobility option.

3. The UE replies with a BRA message and removes the BID indicated by the HA as defined in IETF RFC 5846 [13].
4. In case the HA function is located in the PDN GW, the PDN GW initiates the IP-CAN session modification procedure with the PCRF. In this procedure, the PDN GW removes the routing address related to the removed BID associated with the IP-CAN session.
5. If the HA function is located in the PDN GW, as part of the IP-CAN session modification procedure initiated in step 3, the PCRF ensures that the relevant QoS rules for the SDFs are installed in the target BBERF. This is done by a GW control session and QoS rules provision procedure as specified in TS 23.203 [5].
6. If in step 2 the HA has removed the BID associated with the 3GPP access and maintained the BID for the WLAN access, the PDN GW shall initiate the PDN GW Initiated PDN Disconnection procedure in 3GPP access as defined in TS 23.402 [3], clause 5.6.2.2 or the PDN GW Initiated Bearer Deactivation procedure as defined in TS 23.401 [10], clause 5.4.4.1. The PDN GW shall set the release cause to 'RAT changed from 3GPP to Non-3GPP' to avoid the MME remove the PDN GW ID from the HSS. In case of I-WLAN mobility architecture and the UE has removed the BID associated with the 3GPP access, the UE may initiate PDP Context Deactivation as described in TS 23.060 [11].

If the BID associated with the WLAN access is removed, according to TS 23.402 [3] the security associations between the UE and the HA should not be immediately deleted. As the security associations were created dynamically using IKEv2 they will be automatically deleted when they expire.

For I-WLAN mobility architecture, the H2 session between the HA and the AAA Server should not be immediately deleted. The H2 session will be deleted by the HA immediately after security associations are deleted. In case of I-WLAN mobility architecture, the UE may initiate release of the IKEv2 security association with the PDG according to TS 23.234 [9].

5.6 Addition of one access for multiple PDN connections to the same APN

When a UE having multiple PDN connections to the same APN via one access attaches to a second access, the UE needs to decide which of the multiple PDN connections the UE has would use both accesses simultaneously.

When the UE having multiple PDN connections to the same APN via a 3GPP access attaches to a WLAN, the UE shall perform DSMIPv6 procedures only for the PDN connections for which it will use IP flow mobility.

When the UE having multiple PDN connections to the same APN via the WLAN attaches to the 3GPP access, the UE should only establish the PDN connections for which it will use IP flow mobility. However, due to the restriction that the UE cannot indicate which PDN connection is to establish, the UE shall repeat UE PDN Connectivity Request until the desired PDN connections have been established and shall perform DSMIPv6 procedures for the desired PDN connections.

5.7 Detach and PDN disconnection procedures

When the UE is attached to the same PDN through two accesses and a detach or PDN disconnection procedure is required, the following considerations apply:

- In case of UE initiated PDN disconnection the UE-initiated PDN disconnection procedure described in clause 6.5.2 of TS 23.402 [3] shall be performed (in case of untrusted access the procedure described in clause 7.5.2 of TS 23.402 [3] shall be performed). When this procedure is completed, UE-initiated Detach procedure described in clause 5.3.8.2 of TS 23.401 [10] shall be performed.
- In case of HSS initiated detach, the HSS-initiated Detach procedure described in 6.5.3 of TS 23.402 [3] shall be performed (in case of untrusted access the procedure described in clause 7.5.3 of TS 23.402 [3] shall be performed). When this procedure is completed, the HSS-initiated Detach procedure described in clause 5.3.8.4 of TS 23.401 [10] shall be performed.
- In case of PDN-GW initiated PDN disconnection procedure, the procedure in clause 6.5.4 of TS 23.402 [3] shall be performed (in case of untrusted access the procedure described in clause 7.5.4 of TS 23.402 [3] shall be performed). When this procedure is completed, the PDN GW Initiated Bearer Deactivation procedure as defined in TS 23.401 [10], clause 5.4.4.1, shall be performed.

When the UE is attached to I-WLAN architecture through 3GPP and WLAN accesses and a detach or PDN disconnection procedure is required, similar considerations as above apply with reference to the procedures described in TS 23.327 [4] and TS 23.060 [11].

Annex A (informative): Change history

Date	TSG #	TSG Doc.	CR	Rev	Cat	Subject/Comment	Old	New
06-2010	SP-48	SP-100353	-	-	-	MCC Update to version 2.0.0 for presentation to TSG SA for approval	1.1.0	2.0.0
06-2010	SP-48	-	-	-	-	MCC Update to version 10.0.0 after approval at TSG SA (Release 10)	2.0.0	10.0.0
09-2010	SP-49	SP-100547	0003	2	F	PDN GW capability check in IFOM	10.0.0	10.1.0
09-2010	SP-49	SP-100547	0004	-	F	Inter System Routing Policies	10.0.0	10.1.0
09-2010	SP-49	SP-100547	0005	-	B	PDN GW imitated BID removal	10.0.0	10.1.0
09-2010	SP-49	SP-100547	0007	-	F	Addition of the Reference and Miscellaneous corrections	10.0.0	10.1.0
03-2012	SP-55	SP-120071	0011	-	F	IETF reference update for 23.261	10.1.0	10.2.0
2012-09	-	-	-	-	-	Update to Rel-11 version (MCC)	10.2.0	11.0.0
2014-09	SP-65	-	-	-	-	Update to Rel-12 version (MCC)	11.0.0	12.0.0

History

Document history		
V12.0.0	September 2014	Publication