

# ETSI TS 124 312 V8.1.0 (2009-03)

---

*Technical Specification*

**Universal Mobile Telecommunications System (UMTS);  
LTE;  
Access Network Discovery and Selection Function (ANDSF)  
Management Object (MO)  
(3GPP TS 24.312 version 8.1.0 Release 8)**

---



---

Reference

RTS/TSGC-0124312v810

---

Keywords

LTE, UMTS

**ETSI**

650 Route des Lucioles  
F-06921 Sophia Antipolis Cedex - FRANCE

Tel.: +33 4 92 94 42 00 Fax: +33 4 93 65 47 16

Siret N° 348 623 562 00017 - NAF 742 C  
Association à but non lucratif enregistrée à la  
Sous-Préfecture de Grasse (06) N° 7803/88

---

**Important notice**

Individual copies of the present document can be downloaded from:

<http://www.etsi.org>

The present document may be made available in more than one electronic version or in print. In any case of existing or perceived difference in contents between such versions, the reference version is the Portable Document Format (PDF). In case of dispute, the reference shall be the printing on ETSI printers of the PDF version kept on a specific network drive within ETSI Secretariat.

Users of the present document should be aware that the document may be subject to revision or change of status. Information on the current status of this and other ETSI documents is available at

<http://portal.etsi.org/tb/status/status.asp>

If you find errors in the present document, please send your comment to one of the following services:

[http://portal.etsi.org/chaicor/ETSI\\_support.asp](http://portal.etsi.org/chaicor/ETSI_support.asp)

---

**Copyright Notification**

No part may be reproduced except as authorized by written permission.  
The copyright and the foregoing restriction extend to reproduction in all media.

© European Telecommunications Standards Institute 2009.  
All rights reserved.

**DECT™**, **PLUGTESTS™**, **UMTS™**, **TIPHON™**, the TIPHON logo and the ETSI logo are Trade Marks of ETSI registered for the benefit of its Members.

**3GPP™** is a Trade Mark of ETSI registered for the benefit of its Members and of the 3GPP Organizational Partners.

**LTE™** is a Trade Mark of ETSI currently being registered

for the benefit of its Members and of the 3GPP Organizational Partners.

**GSM®** and the GSM logo are Trade Marks registered and owned by the GSM Association.

---

## Intellectual Property Rights

IPRs essential or potentially essential to the present document may have been declared to ETSI. The information pertaining to these essential IPRs, if any, is publicly available for **ETSI members and non-members**, and can be found in ETSI SR 000 314: "*Intellectual Property Rights (IPRs); Essential, or potentially Essential, IPRs notified to ETSI in respect of ETSI standards*", which is available from the ETSI Secretariat. Latest updates are available on the ETSI Web server (<http://webapp.etsi.org/IPR/home.asp>).

Pursuant to the ETSI IPR Policy, no investigation, including IPR searches, has been carried out by ETSI. No guarantee can be given as to the existence of other IPRs not referenced in ETSI SR 000 314 (or the updates on the ETSI Web server) which are, or may be, or may become, essential to the present document.

---

## Foreword

This Technical Specification (TS) has been produced by ETSI 3rd Generation Partnership Project (3GPP).

The present document may refer to technical specifications or reports using their 3GPP identities, UMTS identities or GSM identities. These should be interpreted as being references to the corresponding ETSI deliverables.

The cross reference between GSM, UMTS, 3GPP and ETSI identities can be found under <http://webapp.etsi.org/key/queryform.asp>.

# Contents

Intellectual Property Rights .....	2
Foreword.....	2
Foreword.....	6
1 Scope .....	7
2 References .....	7
3 Definitions and abbreviations.....	8
3.1 Definitions .....	8
3.3 Abbreviations .....	8
4 ANDSF MO .....	8
5 ANDSF MO parameters.....	11
5.1 General .....	11
5.2 Node: <X> .....	11
5.3 <X>/Name .....	11
5.4 <X>/Policy.....	11
5.5 <X>/Policy/<X> .....	11
5.6 <X>/Policy/<X>/RulePriority .....	12
5.7 <X>/Policy/<X>/PrioritizedAccess.....	12
5.8 <X>/Policy/<X>/PrioritizedAccess/<X> .....	12
5.9 <X>/Policy/<X>/PrioritizedAccess/<X>/ AccessTechnology.....	12
5.10 <X>/Policy/<X>/PrioritizedAccess/<X>/ AccessId .....	13
5.11 <X>/Policy/<X>/PrioritizedAccess/<X>/ AccessNetworkPriority .....	13
5.12 <X>/Policy/<X>/ValidityArea .....	14
5.13 <X>/Policy/<X>/ValidityArea/3GPP_Location.....	14
5.14 <X>/Policy/<X>/ValidityArea/3GPP_Location/<X>.....	14
5.15 <X>/Policy/<X>/ValidityArea/3GPP_Location/<X>/PLMN.....	14
5.16 <X>/Policy/<X>/ValidityArea/3GPP_Location/<X>/TAC.....	15
5.17 <X>/Policy/<X>/ValidityArea/3GPP_Location/<X>/LAC.....	15
5.18 <X>/Policy/<X>/ValidityArea/3GPP_Location/<X>/CGI.....	15
5.19 <X>/Policy/<X>/ValidityArea/3GPP2_Location.....	15
5.20 <X>/Policy/<X>/ValidityArea/3GPP2_Location/1x .....	16
5.21 <X>/Policy/<X>/ValidityArea/3GPP2_Location/1x/<X>.....	16
5.22 <X>/Policy/<X>/ValidityArea/3GPP2_Location/1x/<X>/ SID .....	16
5.23 <X>/Policy/<X>/ValidityArea/3GPP2_Location/1x/<X>/ NID .....	16
5.24 <X>/Policy/<X>/ValidityArea/3GPP2_Location/1x/<X>/ Base_ID.....	17
5.25 <X>/Policy/<X>/ValidityArea/3GPP2_Location/HRPD .....	17
5.26 <X>/Policy/<X>/ValidityArea/3GPP2_Location/HRPD/<X> .....	17
5.27 <X>/Policy/<X>/ValidityArea/3GPP2_Location/HRPD/<X>/ Sector_ID.....	17
5.27A <X>/Policy/<X>/ValidityArea/3GPP2_Location/HRPD/<X>/ Netmask.....	18
5.28 <X>/Policy/<X>/ValidityArea/WiMAX_Location.....	18
5.29 <X>/Policy/<X>/ValidityArea/WiMAX_Location/<X> .....	18
5.30 <X>/Policy/<X>/ValidityArea/WiMAX_Location/<X>/NAP-ID .....	18
5.31 <X>/Policy/<X>/ValidityArea/WiMAX_Location/<X>/BS-ID .....	19
5.32 <X>/Policy/<X>/ValidityArea/WiFi_Location.....	19
5.33 <X>/Policy/<X>/ValidityArea/WiFi_Location/<X> .....	19
5.34 <X>/Policy/<X>/ValidityArea/WiFi_Location/<X>/SSID .....	19
5.35 <X>/Policy/<X>/ValidityArea/WiFi_Location/<X>/BSSID .....	19
5.36 <X>/Policy/<X>/ValidityArea/Geo_Location .....	20
5.36A <X>/Policy/<X>/ValidityArea/Geo_Location/Circular .....	20
5.36B <X>/Policy/<X>/ValidityArea/Geo_Location/Circular/<X> .....	20
5.36C <X>/Policy/<X>/ValidityArea/Geo_Location/Circular/<X>/ AnchorLatitude .....	20
5.36D <X>/Policy/<X>/ValidityArea/Geo_Location/Circular/<X>/ AnchorLongitude.....	21
5.36E <X>/Policy/<X>/ValidityArea/Geo_Location/Circular/<X>/ Radius .....	21
5.37 <X>/Policy/<X>/Roaming .....	21

5.38	<X>/Policy/<X>/TimeOfDay.....	21
5.39	<X>/Policy/<X>/TimeOfDay/<X>.....	22
5.40	<X>/Policy/<X>/TimeOfDay/<X>/TimeStart.....	22
5.41	<X>/Policy/<X>/TimeOfDay/<X>/TimeStop.....	22
5.42	<X>/Policy/<X>/TimeOfDay/<X>/DateStart.....	23
5.43	<X>/Policy/<X>/TimeOfDay/<X>/DateStop.....	23
5.44	Void.....	23
5.45	Void.....	23
5.46	Void.....	23
5.47	Void.....	23
5.48	<X>/Policy/<X>/UpdatePolicy.....	23
5.49	<X>/DiscoveryInformation.....	24
5.50	<X>/DiscoveryInformation/<X>.....	24
5.51	<X>/DiscoveryInformation/<X>/AccessNetworkType.....	24
5.52	<X>/DiscoveryInformation/<X>/AccessNetworkArea.....	24
5.53	<X>/DiscoveryInformation/<X>/AccessNetworkArea/ 3GPP_Location.....	25
5.54	<X>/DiscoveryInformation/<X>/AccessNetworkArea/ 3GPP_Location/<X>.....	25
5.55	<X>/DiscoveryInformation/<X>/AccessNetworkArea/ 3GPP_Location/<X>/PLMN.....	25
5.56	<X>/DiscoveryInformation/<X>/AccessNetworkArea/ 3GPP_Location/<X>/TAC.....	25
5.57	<X>/DiscoveryInformation/<X>/AccessNetworkArea/ 3GPP_Location/<X>/LAC.....	26
5.58	<X>/DiscoveryInformation/<X>/AccessNetworkArea/ 3GPP_Location/<X>/CGI.....	26
5.59	<X>/DiscoveryInformation/<X>/AccessNetworkArea/ 3GPP2_Location.....	26
5.60	<X>/DiscoveryInformation/<X>/AccessNetworkArea/ 3GPP2_Location/1x.....	26
5.61	<X>/DiscoveryInformation/<X>/AccessNetworkArea/ 3GPP2_Location/1x/<X>.....	27
5.62	<X>/DiscoveryInformation/<X>/AccessNetworkArea/ 3GPP2_Location/1x/<X>/SID.....	27
5.63	<X>/DiscoveryInformation/<X>/AccessNetworkArea/ 3GPP2_Location/1x/<X>/NID.....	27
5.64	<X>/DiscoveryInformation/<X>/AccessNetworkArea/ 3GPP2_Location/1x/<X>/Base_ID.....	27
5.65	<X>/DiscoveryInformation/<X>/AccessNetworkArea/ 3GPP2_Location/HRPD.....	28
5.66	<X>/DiscoveryInformation/<X>/AccessNetworkArea/ 3GPP2_Location/HRPD/<X>.....	28
5.67	<X>/DiscoveryInformation/<X>/AccessNetworkArea/ 3GPP2_Location/HRPD/<X>/Sector_ID.....	28
5.67A	<X>/DiscoveryInformation/<X>/AccessNetworkArea/ 3GPP2_Location/HRPD/<X>/Netmask.....	28
5.68	<X>/DiscoveryInformation/<X>/AccessNetworkArea/ WiMAX_Location.....	29
5.69	<X>/DiscoveryInformation/<X>/AccessNetworkArea/ WiMAX_Location/<X>.....	29
5.70	<X>/DiscoveryInformation/<X>/AccessNetworkArea/ WiMAX_Location/<X>/NAP-ID.....	29
5.71	<X>/DiscoveryInformation/<X>/AccessNetworkArea/ WiMAX_Location/<X>/BS-ID.....	30
5.72	<X>/DiscoveryInformation/<X>/AccessNetworkArea/ WiFi_Location.....	30
5.73	<X>/DiscoveryInformation/<X>/AccessNetworkArea/ WiFi_Location/<X>.....	30
5.74	<X>/DiscoveryInformation/<X>/AccessNetworkArea/ WiFi_Location/<X>/SSID.....	30
5.75	<X>/DiscoveryInformation/<X>/AccessNetworkArea/ WiFi_Location/<X>/BSSID.....	31
5.76	<X>/DiscoveryInformation/<X>/AccessNetworkArea/ Geo_Location.....	31
5.76A	<X>/DiscoveryInformation/<X>/ AccessNetworkArea /Geo_Location/Circular.....	31
5.76B	<X>/DiscoveryInformation/<X>/ AccessNetworkArea /Geo_Location/Circular/<X>.....	31
5.76C	<X>/DiscoveryInformation/<X>/ AccessNetworkArea/Geo_Location/Circular/<X>/AnchorLatitude.....	32
5.76D	<X>/DiscoveryInformation/<X>/ AccessNetworkArea/Geo_Location/Circular/<X>/AnchorLongitude.....	32
5.76E	<X>/DiscoveryInformation/<X>/ AccessNetworkArea/Geo_Location/Circular/<X>/Radius.....	32
5.77	<X>/DiscoveryInformation/<X>/ AccessNetworkInformationRef.....	32
5.78	<X>/UE_Location.....	33
5.79	<X>/UE_Location/3GPP_Location.....	33
5.80	<X>/UE_Location/3GPP_Location/<X>.....	33
5.81	<X>/UE_Location/3GPP_Location/<X>/PLMN.....	33
5.82	<X>/UE_Location/3GPP_Location/<X>/TAC.....	34
5.83	<X>/UE_Location/3GPP_Location/<X>/LAC.....	34
5.84	<X>/UE_Location/3GPP_Location/<X>/CGI.....	34
5.85	<X>/UE_Location/3GPP2_Location.....	34
5.86	<X>/UE_Location/3GPP2_Location/1x.....	34
5.87	<X>/UE_Location/3GPP2_Location/1x/<X>.....	35
5.88	<X>/UE_Location/3GPP2_Location/1x/<X>/SID.....	35
5.89	<X>/UE_Location/3GPP2_Location/1x/<X>/NID.....	35
5.90	<X>/UE_Location/3GPP2_Location/1x/<X>/Base_ID.....	35
5.91	<X>/UE_Location/3GPP2_Location/HRPD.....	36
5.92	<X>/UE_Location/3GPP2_Location/HRPD/<X>.....	36
5.93	<X>/UE_Location/3GPP2_Location/HRPD/<X>/Sector_ID.....	36

5.93A	<X>/UE_Location/3GPP2_Location/HRPD/<X>/Netmask .....	36
5.94	<X>/UE_Location/WiMAX_Location .....	36
5.95	<X>/UE_Location/WiMAX_Location/<X> .....	37
5.96	<X>/UE_Location/WiMAX_Location/<X>/NAP-ID .....	37
5.97	<X>/UE_Location/WiMAX_Location/<X>/BS-ID .....	37
5.98	<X>/UE_Location/WiFi_Location .....	37
5.99	<X>/UE_Location/WiFi_Location/<X> .....	38
5.100	<X>/UE_Location/WiFi_Location/<X>/SSID .....	38
5.101	<X>/UE_Location/WiFi_Location/<X>/BSSID .....	38
5.102	<X>/UE_Location/Geo_Location/ .....	38
5.102A	<X>/UE_Location/Geo_Location/ <X> .....	38
5.102B	<X>/ UE_Location /Geo_Location/Latitude .....	39
5.102C	<X>/ UE_Location /Geo_Location/Longitude .....	39
5.103	<X>/Ext .....	39
<b>6</b>	<b>MO for WiMAX .....</b>	<b>39</b>
6.1	Introduction .....	39
6.2	WNDS MO .....	40
6.3	WNDS MO parameters .....	40
6.3.1	General .....	40
6.3.2	Node: <X> .....	40
6.3.3	<X>/Name .....	41
6.3.4	<X>/NSP-ID .....	41
6.3.5	<X>/NSP-ID/<X> .....	41
6.3.6	<X>/NSP-ID/<X>/NSP-Verbose .....	41
6.3.7	<X>/ NSP-ID /<X>/NAP-ID .....	41
6.3.8	<X>/ NSP-ID /<X>/BS-ID .....	42
6.3.9	<X>/NSP-ID/<X>/FrequencyInfo .....	42
6.3.10	<X>/NSP-ID/<X>/FrequencyInfo/<X> .....	42
6.3.11	<X>/NSP-ID/<X>/FrequencyInfo/<X>FirstFreq .....	42
6.3.12	<X>/NSP-ID/<X>/FrequencyInfo/<X>LastFreq .....	42
6.3.13	<X>/NSP-ID/<X>/FrequencyInfo/<X>NextFreqStep .....	43
6.3.14	<X>/NSP-ID/<X>/ FrequencyInfo/<X>ChannelBandwidth .....	43
6.3.15	<X>/NSP-ID/<X>/ FrequencyInfo/<X>DuplexMode .....	43
6.3.16	<X>/NSP-ID/<X>/ FrequencyInfo/<X>FFT_Size .....	44
6.3.17	<X>/NSP-ID/<X>/ FrequencyInfo/<X>Preambles .....	44
6.3.18	<X>/NSP-ID/<X>/ SystemVersion .....	44
6.3.19	<X>/NSP-ID/<X>/AvailableDownlinkResources .....	44
6.3.20	<X>/NSP-ID/<X>/CellType .....	44
6.3.21	<X>/NSP-ID/<X>/DefaultAverageRSSI .....	45
6.3.22	<X>/NSP-ID/<X>/DefaultAverageCINR .....	45
6.3.23	<X>/NSP-ID/<X>/OperatorDifferentiatedTextField .....	45
6.3.24	<X>/Ext .....	45
<b>Annex A (informative):</b>	<b>ANDSF MO DDF .....</b>	<b>46</b>
<b>Annex B (informative):</b>	<b>WNDS MO DDF .....</b>	<b>75</b>
<b>Annex C (informative):</b>	<b>Change history .....</b>	<b>82</b>
History .....		83

---

# Foreword

This Technical Specification has been produced by the 3<sup>rd</sup> Generation Partnership Project (3GPP).

The contents of the present document are subject to continuing work within the TSG and may change following formal TSG approval. Should the TSG modify the contents of the present document, it will be re-released by the TSG with an identifying change of release date and an increase in version number as follows:

Version x.y.z

where:

- x the first digit:
  - 1 presented to TSG for information;
  - 2 presented to TSG for approval;
  - 3 or greater indicates TSG approved document under change control.
- y the second digit is incremented for all changes of substance, i.e. technical enhancements, corrections, updates, etc.
- z the third digit is incremented when editorial only changes have been incorporated in the document.

---

# 1 Scope

The present document defines management objects that can be used by the Access Network Discovery and Selection Function (ANDSF) and the UE.

The Management Object (MO) is compatible with the OMA Device Management (DM) protocol specifications, version 1.2 and upwards, and is defined using the OMA DM Device Description Framework (DDF) as described in the Enabler Release Definition OMA-ERELED-DM-V1\_2 [5].

The MO consists of relevant parameters for intersystem mobility policy- and access network discovery information that can be managed by the ANDSF.

The service requirements and the functional requirements for the access network discovery and selection are described in 3GPP TS 22.278 [2] and in 3GPP TS 23.402 [4] respectively.

---

# 2 References

The following documents contain provisions which, through reference in this text, constitute provisions of the present document.

- References are either specific (identified by date of publication, edition number, version number, etc.) or non-specific.
- For a specific reference, subsequent revisions do not apply.
- For a non-specific reference, the latest version applies. In the case of a reference to a 3GPP document (including a GSM document), a non-specific reference implicitly refers to the latest version of that document *in the same Release as the present document*.

- [1] 3GPP TR 21.905: "Vocabulary for 3GPP Specifications".
- [2] 3GPP TS 22.278: "Service requirements for the Evolved Packet System (EPS)".
- [3] 3GPP TS 23.003: "Numbering, addressing and identification".
- [3A] 3GPP TS 23.032: "Universal Geographical Area Description (GAD)".
- [4] 3GPP TS 23.402: "Architecture enhancements for non-3GPP accesses".
- [4A] OMA-DDS-DM\_ConnMO-V1\_0- 20081107-A: 'Standardized Connectivity Management Objects', Approved Version 1.0 – 07 Nov 2008.
- [4B] OMA-DDS-DM\_ConnMO\_WLAN-V1\_0-20081024-A: 'Standardized Connectivity Management Objects WLAN Parameters', Approved Version 1.0 – 24 Oct 2008.
- [5] OMA-ERELED-DM-V1\_2: "Enabler Release Definition for OMA Device Management".
- [6] WiMAX Forum Network Architecture Release 1.0 version 1.2.2 – Stage 2: "Architecture Tenets, Reference Model and Reference Points", May 2008.
- [7] WiMAX Forum Network Architecture Release 1.0 version 1.2.2 – Stage 3: "Detailed Protocols and Procedures", May 2008.
- [8] WiMAX Forum Mobile System Profile Release 1.0 Approved Specification Revision 1.4.0, April 2007.
- [9] IEEE Std 802.11™-2007: "Information Technology- Telecommunications and information exchange between systems-Local and metropolitan area networks-Specific requirements-Part 11: Wireless LAN Medium Access Control (MAC) and Physical Layer (PHY) Specifications".



- [10] IEEE Std 802.16e-2005 and IEEE Std 802.16-2004/Cor1-2005: "IEEE Standard for Local and Metropolitan Area Networks, Part 16: Air Interface for Fixed and Mobile Broadband Wireless Access Systems Amendments 2 and Corrigendum 1", February 2006.
- [11] IETF RFC 3629 (November 2003): "UTF-8, a transformation format of ISO 10646".
- [12] "Unicode 5.1.0, Unicode Standard Annex #15; Unicode Normalization Forms", March 2008. <http://www.unicode.org>
- [13] 3GPP2 C.S0005: "Upper Layer (Layer 3) Signaling Standard for cdma2000 Spread Spectrum Systems".
- [14] 3GPP2 C.S0016: "Over-the-Air Service Provisioning of Mobile Stations in Spread Spectrum Standards".
- [15] 3GPP2 C.S0024-0: "cdma2000 High Rate Packet Data Air Interface Specification".
- [16] ISO 8601:2004: "Data elements and interchange formats -- Information interchange -- Representation of dates and times"

---

## 3 Definitions and abbreviations

### 3.1 Definitions

For the purposes of the present document, the terms and definitions given in 3GPP TR 21.905 [1] apply.

### 3.3 Abbreviations

For the purposes of the present document, the following abbreviations apply:

ANDSF	Access Network Discovery and Selection Function
DDF	Device Description Framework
DM	Device Management
MO	Management Object
OMA	Open Mobile Alliance
RSSI	Receive Signal Strength Indicator
UE	User Equipment
WNDS	WiMAX Network Discovery and Selection

---

## 4 ANDSF MO

The ANDSF MO is used to manage intersystem mobility policy- as well as access network discovery information stored in a UE supporting provisioning of such information from an ANDSF.

The ANDSF may initiate the provision of information from the ANDSF using a server initiated session alert message.

The UE may initiate the provision of information from the ANDSF, using a client initiated session alert message of code "Generic Alert". The "Type" element of the OMA DM generic alert message shall be set to "urn:oma:at:ext-3gpp-andsf:1.0:provision".

The intersystem mobility policy information consists of a set of one or more intersystem mobility policy rules. At any point in time there shall be at most one rule applied, that rule is referred to as the 'active' rule. There may hence be zero or one 'active' rule.

The rules have a number of conditions (e.g. current access technology and location) where one or more may be present and set to a value. The rules also have a number of results (e.g. preferred access technology and restricted access technology) to be used whenever a rule is 'active'. If there are no results for the 'active' rule, it is implementation dependent how UE performs network selection. Irrespective of whether any rule is 'active' or not, the UE shall

periodically re-evaluate ANDSF policies. When ANDSF policy selection rules identify an available network, the highest priority rule becomes 'active' rule and network re-selection is performed.

While the rule remains 'active', UE shall keep considering higher priority networks, than currently selected, in the prioritized network list of the rule. In addition to conditions and results there is a rule-priority that shall be set for each rule in order for the UE to determine which rule, out of potentially several valid rules, it should consider as 'active'. The trigger for (re-)evaluating rules is that the 'active' rule becomes invalid (conditions no longer fulfilled), the expiration of the validity period (as possibly indicated by the ValidityPeriod value) of the 'active' rule, or some other manufacturer specific trigger.

The relation between Policy and DiscoveryInformation is that Policies prioritize the access network, while DiscoveryInformation provide further information for the UE to access the access network defined in the policy.

The validity of the policy takes into account ValidityArea, Roaming and TimeOfDay, which must all match in order to make the Policy valid.

The MO has a node indicating the position of the UE. The trigger for updating the value of this node is that the location information it contains is no longer valid (i.e. the UE has changed its position) or some other manufacturer specific trigger. The update of the information contained in this node doesn't necessarily imply any interaction with the ANDSF server.

The MO defines validity areas, position of the UE and availability of access networks in terms of geographical coordinates. The way such coordinates are retrieved is implementation dependant (e.g. GPS receiver).

The Management Object Identifier is: urn:oma:mo:ext-3gpp-andsf:1.0.

The OMA DM Access Control List (ACL) property mechanism as standardized (see Enabler Release Definition OMA-ERELED-DM-V1\_2 [5]) may be used to grant or deny access rights to OMA DM servers in order to modify nodes and leaf objects of the ANDSF MO.

The following nodes and leaf objects are possible under the ANDSF node as described in figure 4.1:

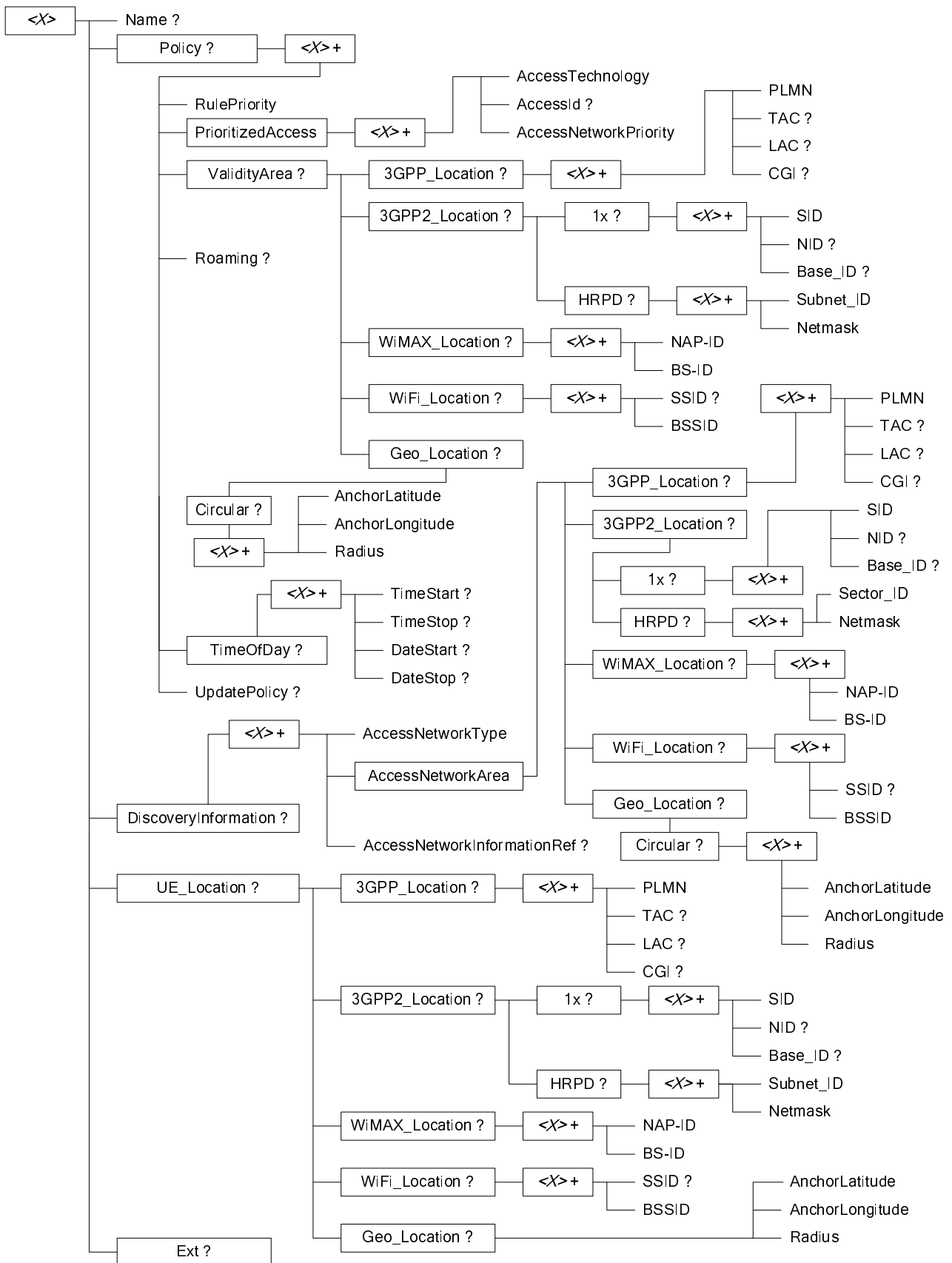


Figure 4.1: The ANDSF MO

---

## 5 ANDSF MO parameters

### 5.1 General

This clause describes the parameters for the ANDSF MO.

### 5.2 Node: <X>

This interior node acts as a placeholder for zero or one accounts for a fixed node.

- Occurrence: ZeroOrOne
- Format: node
- Access Types: Get
- Values: N/A

### 5.3 <X>/Name

The Name leaf is a name for the ANDSF MO settings.

- Occurrence: ZeroOrOne
- Format: chr
- Access Types: Get
- Values: <User displayable name>

The User displayable name shall be represented by Unicode characters encoded as UTF-8 as specified in IETF RFC 3629 [11] and formatted using Normalization Form KC (NFKC) as specified in Unicode Standard Annex #15; Unicode Normalization Forms [12].

### 5.4 <X>/Policy

The Policy node acts as a placeholder for policies for intersystem mobility.

- Occurrence: ZeroOrOne
- Format: node
- Access Types: Get, Replace
- Values: N/A

### 5.5 <X>/Policy/<X>

This interior node acts as a placeholder for one or more intersystem mobility policy rules.

- Occurrence: OneOrMore
- Format: node
- Access Types: Get, Replace
- Values: N/A

## 5.6 <X>/Policy/<X>/RulePriority

The RulePriority leaf represents the priority given to one particular rule and is represented as a numerical value.

- Occurrence: One
- Format: int
- Access Types: Get, Replace
- Values: <Rule priority>

In case more than one valid intersystem mobility policy rule exists, the UE shall treat the rule with the lowest RulePriority value as the rule having the highest priority among the valid rules. If there are overlapping rules (e.g. by location, for example: rule by CGI, rule by PLMN), they should not have the same priority. If the UE finds multiple rules with the same priority, the choice of the rule is UE implementation specific. If there are no matching access networks according to the rule, other rules with the same priority shall be considered.

## 5.7 <X>/Policy/<X>/PrioritizedAccess

The PrioritizedAccess node indicates the preferred access for one particular rule.

- Occurrence: One
- Format: node
- Access Types: Get, Replace
- Values: N/A

## 5.8 <X>/Policy/<X>/PrioritizedAccess/<X>

This interior node acts as a placeholder for one or more prioritized accesses.

- Occurrence: OneOrMore
- Format: node
- Access Types: Get, Replace
- Values: N/A

## 5.9 <X>/Policy/<X>/PrioritizedAccess/<X>/AccessTechnology

The AccessTechnology leaf indicates a prioritized access technology.

- Occurrence: One
- Format: int
- Access Types: Get, Replace
- Values: <Access technology>

Possible values for the Access technology are specified in table 5.9.1.

**Table 5.9.1: Possible values for the AccessTechnology leaf**

Value	Description
0	Reserved
1	3GPP
3	WiFi
4	WiMAX
5-255	Reserved

## 5.10 <X>/Policy/<X>/PrioritizedAccess/<X>/AccessId

The AccessId leaf represents an access network identifier.

- Occurrence: ZeroOrOne
- Format: chr
- Access Types: Get, Replace
- Values: <Access id>

The AccessId contains an identifier for a specific radio access network. Only SSID for WiFi and NAP-ID for WiMAX radio access network are contained in this leaf. AccessIds in numerical format shall be encoded as character string. The AccessId be represented by Unicode characters encoded as UTF-8 as specified in IETF RFC 3629 [11] and formatted using Normalization Form KC (NFKC) as specified in Unicode Standard Annex #15; Unicode Normalization Forms [12].

## 5.11 <X>/Policy/<X>/PrioritizedAccess/<X>/AccessNetworkPriority

The AccessNetworkPriority leaf represents an access technology priority.

- Occurrence: One
- Format: int
- Access Types: Get, Replace
- Values: <Access network priority>

In case more than one valid PrioritizedAccess are available and if the value of the priority belongs to the range 1-250, the UE shall consider the access network (with the corresponding access identifier if present) with the lowest AccessNetworkPriority value as the access network (with the corresponding access identifier if present) having the highest priority, as defined in table 5.11.1. The AccessNetworkPriority value 'Restricted access' (254) indicates an access that should not be used by the UE. The AccessNetworkPriority value 'Forbidden' (255) indicates an access that shall not be used by the UE. The same AccessNetworkPriority value may be used for more than one AccessId. If the UE is not able to find an access network according to ANDSF policies, it is implementation dependent how to proceed with network selection.

**Table 5.11.1: Values of AccessNetworkPriority leaf**

Value	Description
0	Reserved
1-250	Priority value
251-253	Reserved
254	Restricted access. This access should be avoided if the current rule is active.
255	Forbidden. UE is not allowed to use this access if the current rule is active.

NOTE: It is implementation dependent if or when a restricted access is selected if there are no other accesses available.

## 5.12 <X>/Policy/<X>/ValidityArea

The ValidityArea node acts as a placeholder for location conditions for a particular rule.

- Occurrence: ZeroOrOne
- Format: node
- Access Types: Get, Replace
- Values: N/A

This is considered to be fulfilled if either 3GPP\_Location or Non3GPP\_Location is a match. If UE is not able to deduce its location by any means, only rules without Validity Area can be considered for active rule.

## 5.13 <X>/Policy/<X>/ValidityArea/3GPP\_Location

The 3GPP\_Location node acts as a placeholder for 3GPP location descriptions.

- Occurrence: ZeroOrOne
- Format: node
- Access Types: Get, Replace
- Values: N/A

If the UE is currently aware that it is located in the coverage area described by this node, the UE shall consider the corresponding rule as valid. In case of overlapping validity domains of multiple policy rules, RulePriority leaf is used as discriminator.

## 5.14 <X>/Policy/<X>/ValidityArea/3GPP\_Location/<X>

This interior node acts as a placeholder for one or more 3GPP location descriptions.

- Occurrence: OneOrMore
- Format: node
- Access Types: Get, Replace
- Values: N/A

## 5.15 <X>/Policy/<X>/ValidityArea/3GPP\_Location/<X>/PLMN

The PLMN leaf indicates a PLMN code for one particular 3GPP location condition for the intersystem mobility policy rule.

- Occurrence: One
- Format: chr
- Access Types: Get, Replace
- Values: <PLMN>

The format of the PLMN is defined by 3GPP TS 23.003 [3].

## 5.16 <X>/Policy/<X>/ValidityArea/3GPP\_Location/<X>/TAC

The TAC leaf indicates a Tracking Area Code for one particular 3GPP location condition for the intersystem mobility policy rule.

- Occurrence: ZeroOrOne
- Format: chr
- Access Types: Get, Replace
- Values: <Tracking area code>

The format of the TAC is defined by 3GPP TS 23.003 [3].

## 5.17 <X>/Policy/<X>/ValidityArea/3GPP\_Location/<X>/LAC

The LAC leaf indicates a Location Area Code for one particular 3GPP location condition for the intersystem mobility policy rule.

- Occurrence: ZeroOrOne
- Format: chr
- Access Types: Get, Replace
- Values: <Location area code>

The format of the LAC is defined by 3GPP TS 23.003 [3].

## 5.18 <X>/Policy/<X>/ValidityArea/3GPP\_Location/<X>/CGI

The CGI leaf indicates a Cell Global Identity for one particular 3GPP location condition for the intersystem mobility policy rule.

- Occurrence: ZeroOrOne
- Format: chr
- Access Types: Get, Replace
- Values: <Cell global identity>

The format of the GCI is defined by 3GPP TS 23.003 [3].

## 5.19 <X>/Policy/<X>/ValidityArea/3GPP2\_Location

This 3GPP2\_Location node acts as a placeholder for 3GPP2 location descriptions.

- Occurrence: ZeroOrOne
- Format: node
- Access Types: Get, Replace
- Values: N/A

If the UE is currently aware that it is located in the coverage area described by this node, the UE shall consider the corresponding rule as valid. In case of overlapping validity domains of multiple policy rules, RulePriority leaf is used as discriminator.



## 5.20 <X>/Policy/<X>/ValidityArea/3GPP2\_Location/1x

This 1x node acts as a placeholder for 3GPP2 1x RAT location descriptions.

- Occurrence: ZeroOrOne
- Format: node
- Access Types: Get, Replace
- Values: N/A

## 5.21 <X>/Policy/<X>/ValidityArea/3GPP2\_Location/1x/<X>

This interior node acts as a placeholder for one or more 3GPP2 1x RAT location descriptions.

- Occurrence: OneOrMore
- Format: node
- Access Types: Get, Replace
- Values: N/A

## 5.22 <X>/Policy/<X>/ValidityArea/3GPP2\_Location/1x/<X>/ SID

This SID leaf indicates a System Identification code for one particular 3GPP2 1x RAT location condition for the intersystem mobility policy rule.

- Occurrence: One
- Format: chr
- Access Types: Get, Replace
- Values: <System Identification>

The format of the SID is defined by 3GPP2 C S0016 [14].

## 5.23 <X>/Policy/<X>/ValidityArea/3GPP2\_Location/1x/<X>/ NID

This NID leaf indicates a Network Identification code for one particular 3GPP2 1x RAT location condition for the intersystem mobility policy rule.

- Occurrence: ZeroOrOne
- Format: chr
- Access Types: Get
- Values: <Network Identification>

The format of the NID is defined by 3GPP2 C.S0016 [14].

## 5.24 <X>/Policy/<X>/ValidityArea/3GPP2\_Location/1x/<X>/Base\_ID

This Base\_ID leaf indicates a Base Station Identification code for one particular 3GPP2 1x RAT location condition for the intersystem mobility policy rule.

- Occurrence: ZeroOrOne
- Format: chr
- Access Types: Get, Replace
- Values: <Base Station Identification>

The format of the Base\_ID is defined by 3GPP2 C.S0005 [13].

## 5.25 <X>/Policy/<X>/ValidityArea/3GPP2\_Location/HRPD

This HRPD node acts as a placeholder for 3GPP2 HRPD RAT location descriptions.

- Occurrence: ZeroOrOne
- Format: node
- Access Types: Get, Replace
- Values: N/A

## 5.26 <X>/Policy/<X>/ValidityArea/3GPP2\_Location/HRPD/<X>

This interior node acts as a placeholder for one or more 3GPP2 HRPD RAT location descriptions.

- Occurrence: OneOrMore
- Format: node
- Access Types: Get, Replace
- Values: N/A

## 5.27 <X>/Policy/<X>/ValidityArea/3GPP2\_Location/HRPD/<X>/Sector\_ID

This Sector\_ID leaf indicates a Sector Identification code for one particular 3GPP2 HRPD RAT location condition for the intersystem mobility policy rule.

- Occurrence: One
- Format: bit
- Access Types: Get, Replace
- Values: < Sector\_ID >

The format of the Sector\_ID is defined by 3GPP2 C.S0024-0 [15]. The length of Sector ID contained in this node is 128 bits.

## 5.27A <X>/Policy/<X>/ValidityArea/3GPP2\_Location/HRPD/<X>/Netmask

This Netmask leaf indicates a Netmask code for one particular 3GPP2 HRPD RAT location condition for the intersystem mobility policy rule.

- Occurrence: One
- Format: bit
- Access Types: Get, Replace
- Values: <Netmask>

The format of Netmask is defined by 3GPP2 C.S0024-0 [15]. The length of Netmask contained in this node is 8 bits. The mask contained in this leaf shall be applied to the Sector\_ID bit string contained in the correspondent leaf of interior node <X>/Policy/<X>/ValidityArea/3GPP2\_Location/HRPD/<X>/Sector\_ID.

## 5.28 <X>/Policy/<X>/ValidityArea/WiMAX\_Location

The WiMAX\_Location node acts as a placeholder for WiMAX location descriptions.

- Occurrence: ZeroOrOne
- Format: node
- Access Types: Get, Replace
- Values: N/A

If the UE is currently aware that it is located in the coverage area described by this node, the UE shall consider the corresponding rule as valid. In case of overlapping validity domains of multiple policy rules, RulePriority leaf is used as discriminator.

## 5.29 <X>/Policy/<X>/ValidityArea/WiMAX\_Location/<X>

This interior node acts as a placeholder for one or more WiMAX location descriptions.

- Occurrence: OneOrMore
- Format: node
- Access Types: Get, Replace
- Values: N/A

## 5.30 <X>/Policy/<X>/ValidityArea/WiMAX\_Location/<X>/NAP-ID

The NAP-ID leaf indicates the Network Access Provider for a particular WiMAX location condition for the intersystem mobility policy rule.

- Occurrence: One
- Format: chr
- Access Types: Get, Replace
- Values: <NAP-ID>

The format of the NAP-ID is defined by the WiMAX Forum Network Architecture Release 1.0 version 1.2.2 – Stage 2 [6] and WiMAX Forum Network Architecture Release 1.0 version 1.2.2 – Stage 3 [7].

### 5.31 <X>/Policy/<X>/ValidityArea/WiMAX\_Location/<X>/BS-ID

The BS-ID leaf indicates the BS identifier for a particular WiMAX location condition for the intersystem mobility policy rule.

- Occurrence: One
- Format: chr
- Access Types: Get, Replace
- Values: <BS-ID>

The format of the BS-ID is defined by the IEEE Std 802.16e-2005 and IEEE Std 802.16-2004/Cor1-2005 [10].

### 5.32 <X>/Policy/<X>/ValidityArea/WiFi\_Location

The WiFi\_Location node acts as a placeholder for WiFi location descriptions.

- Occurrence: ZeroOrOne
- Format: node
- Access Types: Get, Replace
- Values: N/A

If the UE is currently aware that it is located in the coverage area described by this node, the UE shall consider the corresponding rule as valid. In case of overlapping validity domains of multiple policy rules, RulePriority leaf is used as discriminator.

### 5.33 <X>/Policy/<X>/ValidityArea/WiFi\_Location/<X>

This interior node acts as a placeholder for one or more WiFi location descriptions.

- Occurrence: OneOrMore
- Format: node
- Access Types: Get, Replace
- Values: N/A

### 5.34 <X>/Policy/<X>/ValidityArea/WiFi\_Location/<X>/SSID

The SSID leaf indicates the SSID for a particular WiFi location condition for the intersystem mobility policy rule.

- Occurrence: ZeroOrOne
- Format: chr
- Access Types: Get, Replace
- Values: <SSID>

The format of the SSID is defined by IEEE Std 802.11™-2007 [9].

### 5.35 <X>/Policy/<X>/ValidityArea/WiFi\_Location/<X>/BSSID

The BSSID leaf indicates the AP identifier for one particular WiFi location condition for the intersystem mobility policy rule.

- Occurrence: One
- Format: chr
- Access Types: Get, Replace
- Values: <BSSID>

The format of the BSSID is defined by IEEE Std 802.11™-2007 [9].

## 5.36 <X>/Policy/<X>/ValidityArea/Geo\_Location

The Geo\_Location node acts as a placeholder for Geographical location descriptions for one intersystem mobility policy rule.

- Occurrence: ZeroOrOne
- Format: node
- Access Types: Get, Replace
- Values: N/A

If the UE is currently aware that it is located in the area described by this node, the UE shall consider the corresponding rule as valid. In case of overlapping validity domains of multiple policy rules, RulePriority leaf is used as discriminator.

### 5.36A <X>/Policy/<X>/ValidityArea/Geo\_Location/Circular

The Circular node acts as a placeholder for circular areas location descriptions for one intersystem mobility policy rule.

- Occurrence: ZeroOrOne
- Format: node
- Access Types: Get, Replace
- Values: N/A

### 5.36B <X>/Policy/<X>/ValidityArea/Geo\_Location/Circular/<X>

The interior node acts as a placeholder for one or more circular area location descriptions for one intersystem mobility policy rule.

- Occurrence: OneOrMore
- Format: node
- Access Types: Get, Replace
- Values: <N/A >

### 5.36C <X>/Policy/<X>/ValidityArea/Geo\_Location/Circular/<X>/AnchorLatitude

The AnchorLatitude node acts as a placeholder for the latitude value of the center of the circular area.

- Occurrence: One
- Format: bit
- Access Types: Get, Replace

- Values: <Latitude>

The Latitude is defined in subclause 6.1 of 3GPP TS 23.032 [3A].

### 5.36D <X>/Policy/<X>/ValidityArea/Geo\_Location/Circular/<X>/AnchorLongitude

The AnchorLongitude node acts as a placeholder for the longitude value of the centre of the circular area.

- Occurrence: One
- Format: bit
- Access Types: Get, Replace
- Values: <Longitude >

The Longitude is defined in subclause 6.1 of 3GPP TS 23.032 [3A].

### 5.36E <X>/Policy/<X>/ValidityArea/Geo\_Location/Circular/<X>/Radius

The Radius node acts as a placeholder for the radius value of the circular area.

- Occurrence: One
- Format: int
- Access Types: Get, Replace
- Values: <Radius>

The Radius is given in meters and is defined in subclause 6.6 of 3GPP TS 23.032 [3A].

### 5.37 <X>/Policy/<X>/Roaming

The Roaming leaf indicates the roaming condition for the intersystem mobility policy rule.

- Occurrence: ZeroOrOne
- Format: bool
- Access Types: Get, Replace
- Values: 0, 1
  - 0 Indicates that the rule is only valid when the UE is not roaming.
  - 1 Indicates that the rule is only valid when the UE is roaming.

The UE shall consider a rule with the Roaming leaf present as valid only if the current roaming state (roaming/not roaming) of the UE matches the one indicated in the Roaming value.

NOTE: When the UE is roaming, how it discovers and interacts with the ANDSF is not specified in the specification of this release.

### 5.38 <X>/Policy/<X>/TimeOfDay

The TimeOfDay node indicates the time of day condition for the intersystem mobility policy rule.

- Occurrence: ZeroOrOne

- Format: node
- Access Types: Get, Replace
- Values: N/A

The UE shall consider a rule with the TimeOfDay present as valid only if the time of day in the current time zone, as indicated by the UE, matches at least one time interval indicated in the TimeOfDay node.

UE that does not support calendar or clock application does not need to interpret the TimeOfDay leaf.

### 5.39 <X>/Policy/<X>/TimeOfDay/<X>

This interior node acts as a placeholder for one or more time of day condition for the intersystem mobility policy rule.

- Occurrence: OneOrMore
- Format: node
- Access Types: Get, Replace
- Values: N/A

If the time interval is indicated with more than one leaf value pair (e.g. with TimeStart-TimeStop pair and DateStart-DateStop pair), the UE shall consider a rule with the TimeOfDay present as valid only if all the leaf value pairs in the node match with the time indicated by the UE.

### 5.40 <X>/Policy/<X>/TimeOfDay/<X>/TimeStart

The TimeStart leaf acts as a place holder containing the time of the day that indicates when the UE shall start to apply the intersystem policy rule.

- Occurrence: ZeroOrOne
- Format: chr
- Access Types: Get, Replace
- Values: <time of day>

The value this leaf can assume is time of the day represented in string format, as defined in ISO 8601:2004 [16].

### 5.41 <X>/Policy/<X>/TimeOfDay/<X>/TimeStop

The TimeStop leaf node acts as a place holder containing the time of the day that indicates when the UE shall stop to apply the intersystem policy rule.

- Occurrence: ZeroOrOne
- Format: chr
- Access Types: Get, Replace
- Values: <time of day>

The value this leaf can assume is time of the day represented in string format, as defined in ISO 8601:2004 [16].

If within the same occurrence of TimeOfDay the value of TimeStop is smaller than TimeStart, the UE shall consider as validity period of the policy the time starting at TimeStart and ending at TimeStop of the following day.

## 5.42 <X>/Policy/<X>/TimeOfDay/<X>/DateStart

The DateStart leaf acts as a place holder containing the date that indicates when the UE shall start to apply the intersystem policy rule.

- Occurrence: ZeroOrOne
- Format: chr
- Access Types: Get, Replace
- Values: <date>

The value this leaf can assume is a date represented in string format, as defined in ISO 8601:2004 [16]. The UE handling of semantical error where DateStart node indicates a date that does not exist is UE implementation specific.

## 5.43 <X>/Policy/<X>/TimeOfDay/<X>/DateStop

The DateStop leaf acts as a place holder containing the date that indicates when the UE shall stop to apply the intersystem policy rule.

- Occurrence: ZeroOrOne
- Format: chr
- Access Types: Get, Replace
- Values: <date>

The value this leaf can assume is a date represented in string format, as defined in ISO 8601:2004 [16].

The UE handling of semantical error where DateStop node indicates a date that does not exist is UE implementation specific.

The value of this leaf shall be greater (i.e. a later date) than the value of corresponding DateStart leaf.

## 5.44 Void

## 5.45 Void

## 5.46 Void

## 5.47 Void

## 5.48 <X>/Policy/<X>/UpdatePolicy

The UpdatePolicy leaf indicates the update policy for the intersystem mobility policy rule.

- Occurrence: ZeroOrOne
- Format: bool
- Access Types: Get, Replace
- Values: 0, 1

0 Indicates that the UE is not required to request an update of the rules.

1 Indicates that the UE is required to request an update of the rules.



The UpdatePolicy value may be used by the UE to determine whether or not to request an update of its intersystem mobility policy when the rule is no longer considered to be valid by the UE.

## 5.49 <X>/DiscoveryInformation

The DiscoveryInformation node acts as a placeholder for access network discovery information.

- Occurrence: ZeroOrOne
- Format: node
- Access Types: Get, Replace
- Values: N/A

The operator may provide information on available access networks through the ANDSF. The UE may use the information as an aid in discovering other access networks.

## 5.50 <X>/DiscoveryInformation/<X>

This interior node acts as a placeholder for one or more access network information elements.

- Occurrence: OneOrMore
- Format: node
- Access Types: Get, Replace
- Values: N/A

## 5.51 <X>/DiscoveryInformation/<X>/AccessNetworkType

The AccessNetworkType leaf represents the type of an access network.

- Occurrence: One
- Format: int
- Access Types: Get, Replace
- Values: <Access network type>

The value of AccessNetworkType indicates the type of the network for which discovery assistance information is provided. Possible values are specified in table 5.51.1.

**Table 5.51.1: Possible values for the AccessNetworkType leaf**

Value	Description
0	Reserved
1	3GPP
3	WiFi
4	WiMAX
5-255	Reserved

## 5.52 <X>/DiscoveryInformation/<X>/AccessNetworkArea

The AccessNetworkArea node acts as a placeholder for a description of the location where one particular access network is expected to be available.

- Occurrence: One

- Format: node
- Access Types: Get, Replace
- Values: N/A

### 5.53 <X>/DiscoveryInformation/<X>/AccessNetworkArea/ 3GPP\_Location

The 3GPP\_Location node acts as a placeholder for 3GPP location descriptions.

- Occurrence: ZeroOrOne
- Format: node
- Access Types: Get, Replace
- Values: N/A

If the UE is currently aware that it is located in the coverage area described by this node, the networks described in the correspondent AccessNetworkInformationRef are expected to be available.

### 5.54 <X>/DiscoveryInformation/<X>/AccessNetworkArea/ 3GPP\_Location/<X>

This interior node acts as a placeholder for one or more 3GPP location descriptions.

- Occurrence: OneOrMore
- Format: node
- Access Types: Get, Replace
- Values: N/A

### 5.55 <X>/DiscoveryInformation/<X>/AccessNetworkArea/ 3GPP\_Location/<X>/PLMN

The PLMN leaf indicates a PLMN code for one particular 3GPP location condition for the intersystem mobility policy rule.

- Occurrence: One
- Format: chr
- Access Types: Get, Replace
- Values: <PLMN>

The format of the PLMN is defined by 3GPP TS 23.003 [3].

### 5.56 <X>/DiscoveryInformation/<X>/AccessNetworkArea/ 3GPP\_Location/<X>/TAC

This TAC leaf indicates a Tracking Area Code for one particular 3GPP location description.

- Occurrence: ZeroOrOne
- Format: chr

- Access Types: Get, Replace
- Values: <Tracking area code>

The format of the TAC is defined by 3GPP TS 23.003 [3].

## 5.57 <X>/DiscoveryInformation/<X>/AccessNetworkArea/ 3GPP\_Location/<X>/LAC

This LAC leaf indicates a Location Area Code for one particular 3GPP location description.

- Occurrence: ZeroOrOne
- Format: chr
- Access Types: Get, Replace
- Values: <Location area code>

The format of the LAC is defined by 3GPP TS 23.003 [3].

## 5.58 <X>/DiscoveryInformation/<X>/AccessNetworkArea/ 3GPP\_Location/<X>/CGI

The CGI leaf indicates a Cell Global Identity for one particular 3GPP location condition for the intersystem mobility policy rule.

- Occurrence: ZeroOrOne
- Format: chr
- Access Types: Get, Replace
- Values: <Cell global identity>

The format of the CGI is defined by 3GPP TS 23.003 [3].

## 5.59 <X>/DiscoveryInformation/<X>/AccessNetworkArea/ 3GPP2\_Location

This 3GPP2\_Location node acts as a placeholder for 3GPP2 location descriptions for one or more access networks.

- Occurrence: ZeroOrOne
- Format: node
- Access Types: Get, Replace
- Values: N/A

If the UE is currently aware that it is located in the coverage area described by this 3GPP2\_Location node, the networks described in the correspondent AccessNetworkInformationRef are expected to be available.

## 5.60 <X>/DiscoveryInformation/<X>/AccessNetworkArea/ 3GPP2\_Location/1x

This 1x node acts as a placeholder for one or more 3GPP2 1x RAT location descriptions.

- Occurrence: ZeroOrOne

- Format: node
- Access Types: Get, Replace
- Values: N/A

## 5.61 <X>/DiscoveryInformation/<X>/AccessNetworkArea/ 3GPP2\_Location/1x/<X>

This interior node acts as a placeholder for one or more 3GPP2 1x RAT location descriptions.

- Occurrence: OneOrMore
- Format: node
- Access Types: Get, Replace
- Values: N/A

## 5.62 <X>/DiscoveryInformation/<X>/AccessNetworkArea/ 3GPP2\_Location/1x/<X>/SID

This SID leaf indicates a System Identification code for one particular 3GPP2 1x RAT location condition for one or more access networks.

- Occurrence: One
- Format: chr
- Access Types: Get, Replace
- Values: <System Identification>

The format of the SID is defined by 3GPP2 C.S0016 [14].

## 5.63 <X>/DiscoveryInformation/<X>/AccessNetworkArea/ 3GPP2\_Location/1x/<X>/NID

This NID leaf indicates a Network Identification code for one particular 3GPP2 1x RAT location condition for one or more access networks.

- Occurrence: ZeroOrOne
- Format: chr
- Access Types: Get, Replace
- Values: <Network Identification>

The format of the NID is defined by 3GPP2 C.S0016 [14].

## 5.64 <X>/DiscoveryInformation/<X>/AccessNetworkArea/ 3GPP2\_Location/1x/<X>/Base\_ID

This Base\_ID leaf indicates a Base Station Identification Code for one particular 3GPP2 1x RAT location condition for one or more access networks.

- Occurrence: ZeroOrOne

- Format: chr
- Access Types: Get, Replace
- Values: <Base Station Identification>

The format of the Base\_ID is defined by 3GPP2 C.S0005 [13].

## 5.65 <X>/DiscoveryInformation/<X>/AccessNetworkArea/ 3GPP2\_Location/HRPD

This HRPD node acts as a placeholder for one or more 3GPP2 HRPD RAT location descriptions.

- Occurrence: ZeroOrOne
- Format: node
- Access Types: Get, Replace
- Values: N/A

## 5.66 <X>/DiscoveryInformation/<X>/AccessNetworkArea/ 3GPP2\_Location/HRPD/<X>

This interior node acts as a placeholder for one or more 3GPP2 HRPD RAT location descriptions.

- Occurrence: OneOrMore
- Format: node
- Access Types: Get, Replace
- Values: N/A

## 5.67 <X>/DiscoveryInformation/<X>/AccessNetworkArea/ 3GPP2\_Location/HRPD/<X>/Sector\_ID

This Sector\_ID leaf indicates a Sector Identification code for one particular 3GPP2 HRPD RAT location condition for one or more access networks.

- Occurrence: One
- Format: bit
- Access Types: Get, Replace
- Values: <Sector ID>

The format of the Sector ID is defined by 3GPP2 C.S0024-0 [15]. The length of Sector ID contained in this node is 128 bits.

## 5.67A <X>/DiscoveryInformation/<X>/AccessNetworkArea/ 3GPP2\_Location/HRPD/<X>/Netmask

This Netmask leaf indicates a Netmask code for one particular 3GPP2 HRPD RAT location condition for one or more access networks.

- Occurrence: One

- Format: bit
- Access Types: Get, Replace
- Values: <Netmask>

The format of Netmask is defined by 3GPP2 C.S0024-0 [15]. The length of Netmask contained in this node is 8 bits. The mask contained in this leaf shall be applied to the Sector\_ID bit string contained in the correspondent leaf of interior node <X>/DiscoveryInformation/<X>/AccessNetworkArea/3GPP2\_Location/HRPD/<X>.

## 5.68 <X>/DiscoveryInformation/<X>/AccessNetworkArea/ WiMAX\_Location

The WiMAX\_Location node acts as a placeholder for WiMAX location descriptions.

- Occurrence: ZeroOrOne
- Format: node
- Access Types: Get, Replace
- Values: N/A

If the UE is currently aware that it is located in the coverage area described by this node, the networks described in the correspondent AccessNetworkInformationRef are expected to be available.

## 5.69 <X>/DiscoveryInformation/<X>/AccessNetworkArea/ WiMAX\_Location/<X>

This interior node acts as a placeholder for one or more WiMAX location descriptions.

- Occurrence: OneOrMore
- Format: node
- Access Types: Get, Replace
- Values: N/A

## 5.70 <X>/DiscoveryInformation/<X>/AccessNetworkArea/ WiMAX\_Location/<X>/NAP-ID

The NASP-ID leaf indicates the Network Access Provider for a particular WiMAX location condition for the intersystem mobility policy rule.

- Occurrence: One
- Format: chr
- Access Types: Get, Replace
- Values: <NAP-ID>

The format of the NAP-ID is defined by the WiMAX Forum Network Architecture version 1.2.2 – Stage 2 [6] and WiMAX Forum Network Architecture Release 1.0 version 1.2.2 – Stage 3 [7].

## 5.71 <X>/DiscoveryInformation/<X>/AccessNetworkArea/ WiMAX\_Location/<X>/BS-ID

The BS-ID leaf indicates the BS identifier for a particular WiMAX location condition for the intersystem mobility policy rule.

- Occurrence: One
- Format: chr
- Access Types: Get, Replace
- Values: <BS-ID>

The format of the BS-ID is defined by the IEEE Std 802.16e-2005 and IEEE Std 802.16-2004/Cor1-2005 [10].

## 5.72 <X>/DiscoveryInformation/<X>/AccessNetworkArea/ WiFi\_Location

The WiFi\_Location node acts as a placeholder for WiFi location descriptions.

- Occurrence: ZeroOrOne
- Format: node
- Access Types: Get, Replace
- Values: N/A

If the UE is currently aware that it is located in the coverage area described by this node, the networks described in the correspondent AccessNetworkInformationRef are expected to be available.

## 5.73 <X>/DiscoveryInformation/<X>/AccessNetworkArea/ WiFi\_Location/<X>

This interior node acts as a placeholder for one or more WiFi location descriptions.

- Occurrence: OneOrMore
- Format: node
- Access Types: Get, Replace
- Values: N/A

## 5.74 <X>/DiscoveryInformation/<X>/AccessNetworkArea /WiFi\_Location/<X>/SSID

The SSID leaf indicates the SSID for a particular WiFi location condition for the intersystem mobility policy rule.

- Occurrence: ZeroOrOne
- Format: chr
- Access Types: Get, Replace
- Values: <SSID>

The format of the SSID is defined by IEEE Std 802.11™-2007 [9].

## 5.75 <X>/DiscoveryInformation/<X>/AccessNetworkArea/ WiFi\_Location/<X>/BSSID

The BSSID leaf indicates the AP identifier for one particular WiFi location condition for the intersystem mobility policy rule.

- Occurrence: One
- Format: chr
- Access Types: Get, Replace
- Values: <BSSID>

The format of the BSSID is defined by IEEE Std 802.11™-2007 [9].

## 5.76 <X>/DiscoveryInformation/<X>/AccessNetworkArea/ Geo\_Location

This Geo\_Location node acts as a placeholder for geographical location descriptions for location of one or more access networks.

- Occurrence: ZeroOrOne
- Format: node
- Access Types: Get, Replace
- Values: N/A

If the UE is currently aware that it is located in the area described by this Geo\_Location node, the networks described in the correspondent AccessNetworkInformationRef are expected to be available.

## 5.76A <X>/DiscoveryInformation/<X>/ AccessNetworkArea /Geo\_Location/Circular

The Circular node acts as a placeholder for circular areas location descriptions.

- Occurrence: ZeroOrOne
- Format: node
- Access Types: Get, Replace
- Values: N/A

## 5.76B <X>/DiscoveryInformation/<X>/ AccessNetworkArea /Geo\_Location/Circular/<X>

The interior node acts as a placeholder for one or more circular area location descriptions.

- Occurrence: OneOrMore
- Format: node
- Access Types: Get, Replace
- Values: <N/A >



### 5.76C <X>/DiscoveryInformation/<X>/ AccessNetworkArea/Geo\_Location/Circular/<X>/AnchorLatitude

The AnchorLatitude node acts as a placeholder for the latitude value of the center of the circular area.

- Occurrence: OneOrMore
- Format: bit
- Access Types: Get, Replace
- Values: <Latitude>

The Latitude is defined in subclause 6.1 of 3GPP TS 23.032 [3A].

### 5.76D <X>/DiscoveryInformation/<X>/ AccessNetworkArea/Geo\_Location/Circular/<X>/AnchorLongitude

The AnchorLongitude node acts as a placeholder for the longitude value of the center of the circular area.

- Occurrence: OneOrMore
- Format: bit
- Access Types: Get, Replace
- Values: <Longitude>

The Longitude is defined in subclause 6.1 of 3GPP TS 23.032 [3A].

### 5.76E <X>/DiscoveryInformation/<X>/ AccessNetworkArea/Geo\_Location/Circular/<X>/Radius

The Radius node acts as a placeholder for the radius value of the circular area.

- Occurrence: OneOrMore
- Format: node
- Access Types: Get, Replace
- Values: <Radius>

The Radius is given in meters and is defined in subclause 6.6 of 3GPP TS 23.032 [3A].

### 5.77 <X>/DiscoveryInformation/<X>/ AccessNetworkInformationRef

The AccessNetworkInformationRef leaf represents a reference to an access network information object.

- Occurrence: ZeroOrOne
- Format: chr
- Access Types: Get, Replace
- Values: <An access network information object>

The value of AccessNetworkInformationRef is a reference to an object with access network type specific information. For example WLAN related values for the AccessNetworkInformationRef are defined in the OMA Connectivity Management Objects defined e.g. in OMA-DDS-DM\_ConnMO-V1\_0-20081107-A [4A] and OMA-DDS-DM\_ConnMO\_WLAN-V1\_0-20081024-A [4B], and WiMAX related values for the AccessNetworkInformationRef are defined in the WiMAX MO in clause 6, etc.

## 5.78 <X>/UE\_Location

The UE\_Location node acts as a placeholder for describing the current location of the UE.

- Occurrence: One
- Format: node
- Access Types: Get
- Values: N/A

## 5.79 <X>/UE\_Location/3GPP\_Location

The 3GPP\_Location node acts as a placeholder for 3GPP location descriptions.

- Occurrence: ZeroOrOne
- Format: node
- Access Types: Get
- Values: N/A

The UE should insert the parameters of all the 3GPP networks it can discover when updating this node.

## 5.80 <X>/UE\_Location/3GPP\_Location/<X>

This interior node acts as a placeholder for one or more 3GPP location descriptions.

- Occurrence: OneOrMore
- Format: node
- Access Types: Get
- Values: N/A

## 5.81 <X>/UE\_Location/3GPP\_Location/<X>/PLMN

The PLMN leaf indicates a PLMN code for one particular 3GPP location condition for the intersystem mobility policy rule.

- Occurrence: One
- Format: chr
- Access Types: Get
- Values: <PLMN>

The format of the PLMN is defined by 3GPP TS 23.003 [3].

## 5.82 <X>/UE\_Location/3GPP\_Location/<X>/TAC

This TAC leaf indicates a Tracking Area Code for one particular 3GPP location condition for the UE Location.

- Occurrence: ZeroOrOne
- Format: chr
- Access Types: Get
- Values: <Tracking area code>

The format of the TAC is defined by 3GPP TS 23.003 [3].

## 5.83 <X>/UE\_Location/3GPP\_Location/<X>/LAC

This LAC leaf indicates a Location Area Code for one particular 3GPP location condition for the UE location.

- Occurrence: ZeroOrOne
- Format: chr
- Access Types: Get
- Values: <Location area code>

The format of the LAC is defined by 3GPP TS 23.003 [3].

## 5.84 <X>/UE\_Location/3GPP\_Location/<X>/CGI

The CGI leaf indicates a Cell Global Identity for one particular 3GPP location condition for the intersystem mobility policy rule.

- Occurrence: ZeroOrOne
- Format: chr
- Access Types: Get
- Values: <Cell global identity>

The format of the CGI is defined by 3GPP TS 23.003 [3].

## 5.85 <X>/UE\_Location/3GPP2\_Location

This 3GPP2\_Location node acts as a placeholder for 3GPP2 location description of UE position.

- Occurrence: ZeroOrOne
- Format: node
- Access Types: Get
- Values: N/A

The UE should insert the parameters of all the 3GPP2 networks it can discover when updating this node.

## 5.86 <X>/UE\_Location/3GPP2\_Location/1x

This 1x node acts as a placeholder for one or more 3GPP2 1x RAT location descriptions of UE position.

- Occurrence: ZeroOrOne

- Format: node
- Access Types: Get
- Values: N/A

## 5.87 <X>/UE\_Location/3GPP2\_Location/1x/<X>

This interior node acts as a placeholder for one or more 3GPP2 1x RAT location descriptions of UE position.

- Occurrence: OneOrMore
- Format: node
- Access Types: Get
- Values: N/A

## 5.88 <X>/UE\_Location/3GPP2\_Location/1x/<X>/SID

This SID leaf indicates a System Identification code for one particular 3GPP2 1x RAT location used to indicate UE position.

- Occurrence: One
- Format: chr
- Access Types: Get
- Values: <SID>

The format of the SID is defined by 3GPP2 C.S0016 [14].

## 5.89 <X>/UE\_Location/3GPP2\_Location/1x/<X>/NID

This NID leaf indicates a Network Identification code for one particular 3GPP2 1x RAT location used to indicate UE position.

- Occurrence: ZeroOrOne
- Format: chr
- Access Types: Get
- Values: <NID>

The format of the NID is defined by 3GPP2 C.S0016 [14].

## 5.90 <X>/UE\_Location/3GPP2\_Location/1x/<X>/Base\_ID

This Base\_ID leaf indicates a Base Station Identification code for one particular 3GPP2 1x RAT location used to indicate UE position.

- Occurrence: ZeroOrOne
- Format: chr
- Access Types: Get
- Values: <Base\_ID>

The format of the Base\_ID is defined by 3GPP2 C.S0005 [13].

## 5.91 <X>/UE\_Location/3GPP2\_Location/HRPD

This HRPD node acts as a placeholder for one or more 3GPP2 HRPD RAT location descriptions of UE position.

- Occurrence: ZeroOrOne
- Format: node
- Access Types: Get
- Values: N/A

## 5.92 <X>/UE\_Location/3GPP2\_Location/HRPD/<X>

This interior node acts as a placeholder for one or more 3GPP2 HRPD RAT location descriptions of UE position.

- Occurrence: OneOrMore
- Format: node
- Access Types: Get
- Values: N/A

## 5.93 <X>/UE\_Location/3GPP2\_Location/HRPD/<X>/Sector\_ID

This Sector\_ID leaf indicates a Sector Identification code for one particular 3GPP2 HRPD RAT location used to indicate UE position.

- Occurrence: One
- Format: bit
- Access Types: Get
- Values: <Sector\_ID>

The format of the Sector\_ID is defined by 3GPP2 C.S0024-0 [15]. The length of Sector ID contained in this node is 128 bits.

## 5.93A <X>/UE\_Location/3GPP2\_Location/HRPD/<X>/Netmask

The Netmask leaf indicates a Netmask code for one particular 3GPP2 HRPD RAT location used to indicate UE position.

- Occurrence: One
- Format: bit
- Access Types: Get
- Values: <Netmask>

The format of Netmask is defined by 3GPP2 C.S0024-0 [15]. The length of Netmask contained in this node is 8 bits. The mask contained in this leaf shall be applied to the Sector\_ID bit string contained in the correspondent leaf of interior node.

## 5.94 <X>/UE\_Location/WiMAX\_Location

The WiMAX\_Location node acts as a placeholder for WiMAX location descriptions.

- Occurrence: ZeroOrOne

- Format: node
- Access Types: Get
- Values: N/A

The UE should insert the parameters of all the WiMAX networks it can discover when updating this node.

## 5.95 <X>/UE\_Location/WiMAX\_Location/<X>

This interior node acts as a placeholder for one or more WiMAX location descriptions.

- Occurrence: OneOrMore
- Format: node
- Access Types: Get
- Values: N/A

## 5.96 <X>/UE\_Location/WiMAX\_Location/<X>/NAP-ID

The NAP-ID leaf indicates the Network Access Provider for a particular WiMAX location condition for the intersystem mobility policy rule.

- Occurrence: One
- Format: chr
- Access Types: Get
- Values: <NAP-ID>

The format of the NAP-ID is defined by the WiMAX Forum Network Architecture version 1.2.2 – Stage 2 [6] and WiMAX Forum Network Architecture Release 1.0 version 1.2.2 – Stage 3 [7].

## 5.97 <X>/UE\_Location/WiMAX\_Location/<X>/BS-ID

The BS-ID leaf indicates the BS identifier for a particular WiMAX location condition for the intersystem mobility policy rule.

- Occurrence: One
- Format: chr
- Access Types: Get
- Values: <BS-ID>

The format of the BS-ID is defined by the IEEE Std 802.16e-2005 and IEEE Std 802.16-2004/Cor1-2005 [10].

## 5.98 <X>/UE\_Location/WiFi\_Location

The WiFi\_Location node acts as a placeholder for WiFi location descriptions.

- Occurrence: ZeroOrOne
- Format: node
- Access Types: Get
- Values: N/A

The UE should insert the parameters of all the WiFi networks it can discover when updating this node.

## 5.99 <X>/UE\_Location/WiFi\_Location/<X>

This interior node acts as a placeholder for one or more WiFi location descriptions.

- Occurrence: OneOrMore
- Format: node
- Access Types: Get
- Values: N/A

## 5.100 <X>/UE\_Location/WiFi\_Location/<X>/SSID

The SSID leaf indicates the SSID for a particular WiFi location condition for the intersystem mobility policy rule.

- Occurrence: ZeroOrOne
- Format: chr
- Access Types: Get
- Values: <SSID>

The format of the SSID is defined by IEEE Std 802.11™-2007 [9].

## 5.101 <X>/UE\_Location/WiFi\_Location/<X>/BSSID

The BSSID leaf indicates the AP identifier for one particular WiFi location condition for the intersystem mobility policy rule.

- Occurrence: One
- Format: chr
- Access Types: Get
- Values: <BSSID>

The format of the BSSID is defined by IEEE Std 802.11™-2007 [9].

## 5.102 <X>/UE\_Location/Geo\_Location/

This interior node acts as a placeholder for one or more UE Geo\_Location location descriptions.

- Occurrence: ZeroOrOne
- Format: node
- Access Types: Get
- Values: <N/A >

If the UE is aware of its geographical position, it shall insert the coordinates of its position in this Geo\_Location node.

## 5.102A <X>/UE\_Location /Geo\_Location/ <X>

The interior node acts as a placeholder for one or more UE Geo\_Location location descriptions.

- Occurrence: OneOrMore
- Format: node
- Access Types: Get
- Values: <N/A >

## 5.102B <X>/ UE\_Location /Geo\_Location/Latitude

The Latitude node acts as a placeholder for the latitude value of the position of the UE.

- Occurrence: ZeroOrOne
- Format: bit
- Access Types: Get
- Values: <Latitude >

The Latitude is defined in subclause 6.1 of 3GPP TS 23.032 [3A].

## 5.102C <X>/ UE\_Location /Geo\_Location/Longitude

The Longitude node acts as a placeholder for the longitude value of the position of the UE.

- Occurrence: ZeroOrOne
- Format: bit
- Access Types: Get
- Values: <Longitude>

The Longitude is defined in subclause 6.1 of 3GPP TS 23.032 [3A].

## 5.103 <X>/Ext

The Ext is an interior node for where the vendor specific information about the ANDSF MO is being placed (vendor meaning application vendor, device vendor etc.). Usually the vendor extension is identified by vendor specific name under the ext node. The tree structure under the vendor identifier is not defined and can therefore include one or more un-standardized sub-trees.

- Occurrence: ZeroOrOne
- Format: node
- Access Types: Get
- Values: N/A

---

# 6 MO for WiMAX

## 6.1 Introduction

This section defines the WiMAX Network Discovery and Selection (WNDS) MO and the corresponding behaviour of the UE with regard to discovering and selecting WiMAX access networks in the home operator network. The service requirements for the WiMAX network discovery and selection function are described in 3GPP TS 23.402 [4].



The WNDS MO is compatible with the OMA Device Management (DM) protocol specifications, version 1.2 and upwards, and is defined using the OMA DM Device Description Framework (DDF) as described in the Enabler Release Definition OMA-ERELED-DM-V1\_2 [5].

## 6.2 WNDS MO

The WNDS MO is used to manage WiMAX network discovery and selection information stored in the UE and supports provisioning of such information from the ANDSF.

The ANDSF may initiate the provisioning of WiMAX specific information using a server initiated session alert message. The UE may initiate the provision of information from the ANDSF using a client initiated session alert message.

The Management Object Identifier is: urn:oma:mo:XXXX:1.0.

**Editor's note:** This value needs to be replaced with the value registered for this MO by OMA. Proposed value is urn:oma:mo:ext-3gpp-wnds:1.0

The OMA DM Access Control List (ACL) property mechanism as standardized (see Enabler Release Definition OMA-ERELED-DM-V1\_2 [5]) may be used to grant or deny access rights to OMA DM servers in order to modify nodes and leaf objects of the WNDS MO.

The following nodes and leaf objects are possible under the WiMAX Network Discovery and Selection node as described in figure 6.2.1:

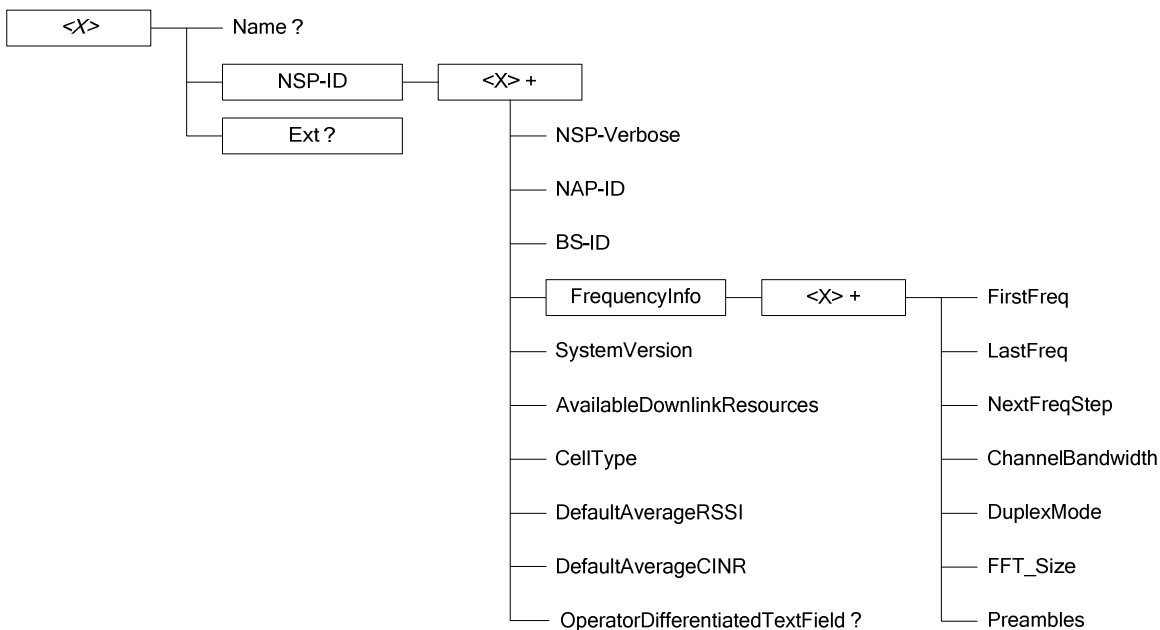


Figure 6.2.1: WNDS MO

## 6.3 WNDS MO parameters

### 6.3.1 General

This clause describes the parameters for the WNDS MO.

### 6.3.2 Node: <X>

This interior node acts as a placeholder for zero or one accounts for a fixed node.

- Occurrence: ZeroOrOne
- Format: node
- Access Types: Get
- Values: N/A

### 6.3.3 <X>/Name

The Name leaf is a name for the WNDS MO settings.

- Occurrence: ZeroOrOne
- Format: chr
- Access Types: Get
- Values: <User displayable name>

### 6.3.4 <X>/NSP-ID

The NSP-ID node is the placeholder for identifier of service provider that provides IP connectivity and WiMAX services. For further details on Network Service Provider please refer to the WiMAX Forum Network Architecture version 1.2.2 – Stage 2 [6] and WiMAX Forum Network Architecture Release 1.0 version 1.2.2 – Stage 3 [7].

- Occurrence: One
- Format: int
- Access Types: Get, Replace
- Values: <NSP-ID>

### 6.3.5 <X>/NSP-ID/<X>

This interior node acts as a placeholder for one or more Network Service Provider properties.

- Occurrence: OneOrMore
- Format: node
- Access Types: Get, Replace
- Values: <N/A>

### 6.3.6 <X>/NSP-ID/<X>/NSP-Verbose

The NSP-Verbose leaf is the verbose name of the Network Service Provider.

- Occurrence: One
- Format: chr
- Access Types: Get, Replace
- Values: <NSP-Verbose>

### 6.3.7 <X>/NSP-ID/<X>/NAP-ID

The NAP-ID leaf is the identifier of the WiMAX radio access infrastructure provider. For further details on Network Access Provider please refer to the WiMAX Forum Network Architecture version 1.2.2 – Stage 2 [6] and WiMAX Forum Network Architecture Release 1.0 version 1.2.2 – Stage 3 [7].

- Occurrence: One
- Format: int
- Access Types: Get, Replace
- Values: <NAP-ID>

### 6.3.8 <X>/NSP-ID/<X>/BS-ID

The BS-ID leaf is the base station identifier. For further details on BS-ID please refer to IEEE Std 802.16e-2005 and IEEE Std 802.16-2004/Cor1-2005 [10].

- Occurrence: One
- Format: chr
- Access Types: Get, Replace
- Values: <BS-ID>

### 6.3.9 <X>/NSP-ID/<X>/FrequencyInfo

The FrequencyInfo node contains WiMAX operating frequency related information.

- Occurrence: One
- Format: node
- Access Types: Get, Replace
- Values: <N/A>

### 6.3.10 <X>/NSP-ID/<X>/FrequencyInfo/<X>

This interior node acts as a placeholder for one or more FrequencyInfo node properties..

- Occurrence: OneOrMore
- Format: node
- Access Types: Get, Replace
- Values: <N/A>

### 6.3.11 <X>/NSP-ID/<X>/FrequencyInfo/<X>FirstFreq

The FirstFreq leaf specifies the first center frequency in KHz for this channel.

- Occurrence: One
- Format: int
- Access Types: Get, Replace
- Values: <FirstFreq>

### 6.3.12 <X>/NSP-ID/<X>/FrequencyInfo/<X>LastFreq

The LastFreq leaf specifies the last center frequency in KHz for this channel. If this value equals to the FirstFreq or the leaf node is omitted, then this entry refers to a single channel rather than a channel range. If this field is present then NextFreqStep shall be present as well.

- Occurrence: One

- Format: int
- Access Types: Get, Replace
- Values: <LastFreq>

### 6.3.13 <X>/NSP-ID/<X>/FrequencyInfo/<X>NextFreqStep

The NextFreqStep leaf defines the frequency step in KHz to reach the next central frequency when defining the frequency range using FirstFreq and LastFreq.

- Occurrence: One
- Format: int
- Access Types: Get, Replace
- Values: <NextFreqStep>

When this leaf node is omitted there is only one central frequency (i.e FirstFreq). If this field is present LastFreq shall be present as well. The formula to calculate the next central frequency is:

CurrentFreq = FirstFreq

While (CurrentFreq <= LastFreq) CurrentFreq = CurrentFreq + NextFreqStep

### 6.3.14 <X>/NSP-ID/<X>/ FrequencyInfo/<X>ChannelBandwidth

The ChannelBandwidth leaf is the system bandwidth in KHz that is supported by the WiMAX network.

- Occurrence: One
- Format: int
- Access Types: Get, Replace
- Values: <ChannelBandwidth>

### 6.3.15 <X>/NSP-ID/<X>/ FrequencyInfo/<X>DuplexMode

The DuplexMode leaf is the duplex mode supported by the network. The DuplexMode can be TDD, FDD or hybrid FDD (HFDD)

- Occurrence: One
- Format: int
- Access Types: Get, Replace
- Values: <Duplex mode>

The value of the DuplexMode shall be used as specified in Table 6.3.15.1.

**Table 6.3.15.1: Values of DuplexMode**

Value	Description
0	Reserved
1	TDD
2	FDD
3	HFDD
4-255	Reserved

### 6.3.16 <X>/NSP-ID/<X>/ FrequencyInfo/<X>FFT\_Size

The FFT\_Size leaf specifies the channel's FFT.

- Occurrence: One
- Format: int
- Access Types: Get, Replace
- Values: <FFT size>

### 6.3.17 <X>/NSP-ID/<X>/ FrequencyInfo/<X>Preambles

The Preambles leaf specifies the valid preambles for each channel in the channel range.

- Occurrence: One
- Format: chr
- Access Types: Get, Replace
- Values: <Preambles>

The value is a hexadecimal string which is 29 digits long. The two MSB are zeroed and the LSB indicates channel 0.

### 6.3.18 <X>/NSP-ID/<X>/ SystemVersion

The SystemVersion leaf is the Mobile WiMAX release as specified by the WiMAX Forum Mobile System Profile [8].

- Occurrence: One
- Format: chr
- Access Types: Get, Replace
- Values: <System version>

### 6.3.19 <X>/NSP-ID/<X>/AvailableDownlinkResources

The AvailableDownlinkResources leaf represents the percentage of average downlink radio resources available. This is the ratio of non-assigned DL radio resource to the total available DL radio resources.

- Occurrence: One
- Format: int
- Access Types: Get, Replace
- Values: <Available downlink resources>

### 6.3.20 <X>/NSP-ID/<X>/CellType

The CellType leaf represents the type of cell. The cell type can be femto, pico, micro or macro.

- Occurrence: One
- Format: chr
- Access Types: Get, Replace
- Values: <Cell type>

### 6.3.21 <X>/NSP-ID/<X>/DefaultAverageRSSI

The DefaultAverageRSSI leaf represents the default average value of Receive Signal Strength Indicator (RSSI)

- Occurrence: One
- Format: int
- Access Types: Get, Replace
- Values: <Default average RSSI>

### 6.3.22 <X>/NSP-ID/<X>/DefaultAverageCINR

The DefaultAverageCINR leaf represents the default average value of Carrier to Noise Interference Ratio (CINR)

- Occurrence: One
- Format: int
- Access Types: Get, Replace
- Values: <Default Average CINR>

### 6.3.23 <X>/NSP-ID/<X>/OperatorDifferentiatedTextField

The OperatorDifferentiatedTextField leaf represents textual information that the operator wants to associate with the access technology.

- Occurrence: ZeroOrOne
- Format: chr
- Access Types: Get, Replace
- Values: <Text field>

The text field contains alphanumeric characters.

### 6.3.24 <X>/Ext

The Ext is an interior node for where the vendor specific information about the WND5 MO is placed (vendor can be application vendor, device vendor etc.). Usually the vendor extension is identified by vendor specific name under the ext node. The tree structure under the vendor identifier is not defined and can therefore include one or more un-standardized sub-trees.

- Occurrence: ZeroOrOne
- Format: node
- Access Types: Get
- Values: N/A

## Annex A (informative): ANDSF MO DDF

This DDF is the standardized minimal set. A vendor can define its own DDF for the complete device. This DDF can include more features than this minimal standardized version.

```
<?xml version="1.0" encoding="UTF-8"?>
<!DOCTYPE MgmtTree PUBLIC "-//OMA//DTD SYNCML-DMDDF 1.2//EN"
http://www.openmobilealliance.org/tech/DTD/OMA-SynchML-DMDDF-1_2.dtd>

<MgmtTree>
  <VerDTD>1.2</VerDTD>
  <Man>--The device manufacturer--</Man>
  <Mod>--The device model--</Mod>

  <Node>
    <NodeName>x</NodeName>
    <DFProperties>
      <AccessType>
        <Get/>
      </AccessType>
      <Description>ANDSF settings</Description>
      <DFFormat>
        <node/>
      </DFFormat>
      <Occurrence>
        <ZeroOrOne/>
      </Occurrence>
      <DFTitle>The ANDSF Management Object.</DFTitle>
      <DFType>
        <DDFName/>
      </DFType>
    </DFProperties>

    <Node>
      <NodeName>Name</NodeName>
      <DFProperties>
        <AccessType>
          <Get/>
        </AccessType>
        <DFFormat>
          <chr/>
        </DFFormat>
        <Occurrence>
          <ZeroOrOne/>
        </Occurrence>
        <DFTitle>User displayable name for the node.</DFTitle>
        <DFType>
          <MIME>text/plain</MIME>
        </DFType>
      </DFProperties>
    </Node>

    <Node>
      <NodeName>Policy</NodeName>
      <!-- The Policy node starts here. -->
      <DFProperties>
        <AccessType>
          <Get/>
          <Replace/>
        </AccessType>
        <DFFormat>
          <node/>
        </DFFormat>
        <Occurrence>
          <ZeroOrOne/>
        </Occurrence>
        <DFTitle>Policies for access network selection.</DFTitle>
        <DFType>
          <DDFName/>
        </DFType>
      </DFProperties>
    </Node>
  </MgmtTree>

```

```

<Node>
  <NodeName></NodeName>
  <DFProperties>
    <AccessType>
      <Get/>
      <Replace/>
    </AccessType>
    <DFFormat>
      <node/>
    </DFFormat>
    <Occurrence>
      <OneOrMore/>
    </Occurrence>
    <DFType>
      <DDFName></DDFName>
    </DFType>
  </DFProperties>

  <Node>
    <NodeName>RulePriority</NodeName>
    <DFProperties>
      <AccessType>
        <Get/>
        <Replace/>
      </AccessType>
      <DFFormat>
        <int/>
      </DFFormat>
      <Occurrence>
        <One/>
      </Occurrence>
      <DFTitle>Rule priority.</DFTitle>
      <DFType>
        <MIME>text/plain</MIME>
      </DFType>
    </DFProperties>
  </Node>

  <Node>
    <NodeName>PrioritizedAccess</NodeName>
    <DFProperties>
      <AccessType>
        <Get/>
        <Replace/>
      </AccessType>
      <DFFormat>
        <node/>
      </DFFormat>
      <Occurrence>
        <One/>
      </Occurrence>
      <DFTitle>Prioritized access.</DFTitle>
      <DFType>
        <DDFName/>
      </DFType>
    </DFProperties>

    <Node>
      <NodeName></NodeName>
      <DFProperties>
        <AccessType>
          <Get/>
          <Replace/>
        </AccessType>
        <DFFormat>
          <node/>
        </DFFormat>
        <Occurrence>
          <OneOrMore/>
        </Occurrence>
        <DFType>
          <DDFName></DDFName>
        </DFType>
      </DFProperties>

      <Node>
        <NodeName>AccessTechnology</NodeName>
        <DFProperties>

```



```

        <AccessType>
          <Get/>
          <Replace/>
        </AccessType>
        <DFFormat>
          <int/>
        </DFFormat>
        <Occurrence>
          <One/>
        </Occurrence>
        <DFTitle>Access technology.</DFTitle>
        <DFType>
          <MIME>text/plain</MIME>
        </DFType>
      </DFProperties>
    </Node>

    <Node>
      <nodeName>AccessId</nodeName>
      <DFProperties>
        <AccessType>
          <Get/>
          <Replace/>
        </AccessType>
        <DFFormat>
          <chr/>
        </DFFormat>
        <Occurrence>
          <ZeroOrOne/>
        </Occurrence>
        <DFTitle>Access identity.</DFTitle>
        <DFType>
          <MIME>text/plain</MIME>
        </DFType>
      </DFProperties>
    </Node>

    <Node>
      <nodeName>AccessNetworkPriority</nodeName>
      <DFProperties>
        <AccessType>
          <Get/>
          <Replace/>
        </AccessType>
        <DFFormat>
          <int/>
        </DFFormat>
        <Occurrence>
          <One/>
        </Occurrence>
        <DFTitle>Access network priority.</DFTitle>
        <DFType>
          <MIME>text/plain</MIME>
        </DFType>
      </DFProperties>
    </Node>
  </Node>
</Node>

<Node>
  <nodeName>ValidityArea</nodeName>
  <DFProperties>
    <AccessType>
      <Get/>
      <Replace/>
    </AccessType>
    <DFFormat>
      <node/>
    </DFFormat>
    <Occurrence>
      <ZeroOrOne/>
    </Occurrence>
    <DFTitle>Validity area.</DFTitle>
    <DFType>
      <DDFName/>
    </DFType>
  </DFProperties>

```

```

<Node>
  <NodeName>3GPP_Location</NodeName>
  <DFProperties>
    <AccessType>
      <Get/>
      <Replace/>
    </AccessType>
    <DFFormat>
      <node/>
    </DFFormat>
    <Occurrence>
      <ZeroOrOne/>
    </Occurrence>
    <DFTitle>Validity area for 3GPP access.</DFTitle>
    <DFType>
      <DDFName/>
    </DFType>
  </DFProperties>

  <Node>
    <NodeName></NodeName>
    <DFProperties>
      <AccessType>
        <Get/>
        <Replace/>
      </AccessType>
      <DFFormat>
        <node/>
      </DFFormat>
      <Occurrence>
        <OneOrMore/>
      </Occurrence>
      <DFType>
        <DDFName></DDFName>
      </DFType>
    </DFProperties>

    <Node>
      <NodeName>PLMN</NodeName>
      <DFProperties>
        <AccessType>
          <Get/>
          <Replace/>
        </AccessType>
        <DFFormat>
          <chr/>
        </DFFormat>
        <Occurrence>
          <One/>
        </Occurrence>
        <DFTitle>PLMN.</DFTitle>
        <DFType>
          <MIME>text/plain</MIME>
        </DFType>
      </DFProperties>
    </Node>

    <Node>
      <NodeName>TAC</NodeName>
      <DFProperties>
        <AccessType>
          <Get/>
          <Replace/>
        </AccessType>
        <DFFormat>
          <chr/>
        </DFFormat>
        <Occurrence>
          <ZeroOrOne/>
        </Occurrence>
        <DFTitle>TAC.</DFTitle>
        <DFType>
          <MIME>text/plain</MIME>
        </DFType>
      </DFProperties>
    </Node>
  </Node>

```

```

    <NodeName>LAC</NodeName>
    <DFProperties>
      <AccessType>
        <Get/>
        <Replace/>
      </AccessType>
      <DFFormat>
        <chr/>
      </DFFormat>
      <Occurrence>
        <ZeroOrOne/>
      </Occurrence>
      <DFTitle>LAC.</DFTitle>
      <DFType>
        <MIME>text/plain</MIME>
      </DFType>
    </DFProperties>
  </Node>

  <Node>
    <NodeName>CGI</NodeName>
    <DFProperties>
      <AccessType>
        <Get/>
        <Replace/>
      </AccessType>
      <DFFormat>
        <chr/>
      </DFFormat>
      <Occurrence>
        <ZeroOrOne/>
      </Occurrence>
      <DFTitle>CGI.</DFTitle>
      <DFType>
        <MIME>text/plain</MIME>
      </DFType>
    </DFProperties>
  </Node>
</Node>

<Node>
  <NodeName>3GPP2_Location</NodeName>
  <DFProperties>
    <AccessType>
      <Get/>
      <Replace/>
    </AccessType>
    <DFFormat>
      <node/>
    </DFFormat>
    <Occurrence>
      <ZeroOrOne/>
    </Occurrence>
    <DFTitle> Validity area for 3GPP2 access.</DFTitle>
    <DFType>
      <DDFName/>
    </DFType>
  </DFProperties>

  <Node>
    <NodeName>1x</NodeName>
    <DFProperties>
      <AccessType>
        <Get/>
        <Replace/>
      </AccessType>
      <DFFormat>
        <node/>
      </DFFormat>
      <Occurrence>
        <ZeroOrOne/>
      </Occurrence>
      <DFTitle> Validity area for 3GPP2-1x access.</DFTitle>
      <DFType>
        <DDFName/>
      </DFType>
    </DFProperties>
  </Node>

```

```

<Node>
  <NodeName></NodeName>
  <DFProperties>
    <AccessType>
      <Get/>
      <Replace/>
    </AccessType>
    <DFFormat>
      <node/>
    </DFFormat>
    <Occurrence>
      <OneOrMore/>
    </Occurrence>
    <DFType>
      <DDFName></DDFName>
    </DFType>
  </DFProperties>

<Node>
  <NodeName>SID</NodeName>
  <DFProperties>
    <AccessType>
      <Get/>
      <Replace/>
    </AccessType>
    <DFFormat>
      <chr/>
    </DFFormat>
    <Occurrence>
      <One/>
    </Occurrence>
    <DFTitle>1x-SID.</DFTitle>
    <DFType>
      <MIME>text/plain</MIME>
    </DFType>
  </DFProperties>
</Node>

<Node>
  <NodeName>NID</NodeName>
  <DFProperties>
    <AccessType>
      <Get/>
      <Replace/>
    </AccessType>
    <DFFormat>
      <chr/>
    </DFFormat>
    <Occurrence>
      <ZeroOrOne/>
    </Occurrence>
    <DFTitle>1x-NID.</DFTitle>
    <DFType>
      <MIME>text/plain</MIME>
    </DFType>
  </DFProperties>
</Node>

<Node>
  <NodeName>Base_ID</NodeName>
  <DFProperties>
    <AccessType>
      <Get/>
      <Replace/>
    </AccessType>
    <DFFormat>
      <chr/>
    </DFFormat>
    <Occurrence>
      <ZeroOrOne/>
    </Occurrence>
    <DFTitle>1x-Base ID.</DFTitle>
    <DFType>
      <MIME>text/plain</MIME>
    </DFType>
  </DFProperties>
</Node>

```

```

    </Node>
  </Node>

  <Node>
    <NodeName>HRPD</NodeName>
    <DFProperties>
      <AccessType>
        <Get/>
        <Replace/>
      </AccessType>
      <DFFormat>
        <node/>
      </DFFormat>
      <Occurrence>
        <ZeroOrOne/>
      </Occurrence>
      <DFTitle> Validity area for 3GPP2-HRPD access</DFTitle>
      <DFType>
        <DDFName/>
      </DFType>
    </DFProperties>

    <Node>
      <NodeName></NodeName>
      <DFProperties>
        <AccessType>
          <Get/>
          <Replace/>
        </AccessType>
        <DFFormat>
          <node/>
        </DFFormat>
        <Occurrence>
          <OneOrMore/>
        </Occurrence>
        <DFType>
          <DDFName></DDFName>
        </DFType>
      </DFProperties>

      <Node>
        <NodeName>Sector_ID</NodeName>
        <DFProperties>
          <AccessType>
            <Get/>
            <Replace/>
          </AccessType>
          <DFFormat>
            <bit/>
          </DFFormat>
          <Occurrence>
            <One/>
          </Occurrence>
          <DFTitle>HRPD Sector ID</DFTitle>
          <DFType>
            <MIME>text/plain</MIME>
          </DFType>
        </DFProperties>
      </Node>

      <Node>
        <NodeName>Netmask</NodeName>
        <DFProperties>
          <AccessType>
            <Get/>
            <Replace/>
          </AccessType>
          <DFFormat>
            <bit/>
          </DFFormat>
          <Occurrence>
            <One/>
          </Occurrence>
          <DFTitle>HRPD netmask</DFTitle>
          <DFType>
            <MIME>text/plain</MIME>
          </DFType>
        </DFProperties>
      </Node>
    </Node>
  </Node>

```

```

        </Node>
    </Node>
</Node>
</Node>
<Node>
    <NodeName>WiMAX_Location</NodeName>
    <DFProperties>
        <AccessType>
            <Get/>
            <Replace/>
        </AccessType>
        <DFFormat>
            <node/>
        </DFFormat>
        <Occurrence>
            <ZeroOrOne/>
        </Occurrence>
        <DFTitle> Validity area for WiMAX access.</DFTitle>
        <DFType>
            <DDFName/>
        </DFType>
    </DFProperties>
</Node>
<Node>
    <NodeName></NodeName>
    <DFProperties>
        <AccessType>
            <Get/>
            <Replace/>
        </AccessType>
        <DFFormat>
            <node/>
        </DFFormat>
        <Occurrence>
            <OneOrMore/>
        </Occurrence>
        <DFType>
            <DDFName></DDFName>
        </DFType>
    </DFProperties>
</Node>
<Node>
    <NodeName>NAP-ID</NodeName>
    <DFProperties>
        <AccessType>
            <Get/>
            <Replace/>
        </AccessType>
        <DFFormat>
            <chr/>
        </DFFormat>
        <Occurrence>
            <One/>
        </Occurrence>
        <DFTitle>NAP-ID</DFTitle>
        <DFType>
            <MIME>text/plain</MIME>
        </DFType>
    </DFProperties>
</Node>
<Node>
    <NodeName>BS-ID</NodeName>
    <DFProperties>
        <AccessType>
            <Get/>
            <Replace/>
        </AccessType>
        <DFFormat>
            <chr/>
        </DFFormat>
        <Occurrence>
            <One/>
        </Occurrence>
        <DFTitle>BS-ID</DFTitle>
        <DFType>
            <MIME>text/plain</MIME>
    </DFProperties>
</Node>

```

```

        </DFType>
      </DFProperties>
    </Node>
  </Node>
</Node>
<Node>
  <NodeName>WiFi_Location</NodeName>
  <DFProperties>
    <AccessType>
      <Get/>
      <Replace/>
    </AccessType>
    <DFFormat>
      <node/>
    </DFFormat>
    <Occurrence>
      <ZeroOrOne/>
    </Occurrence>
    <DFTitle> Validity area for WiFi access.</DFTitle>
    <DFType>
      <DDFName/>
    </DFType>
  </DFProperties>

  <Node>
    <NodeName></NodeName>
    <DFProperties>
      <AccessType>
        <Get/>
        <Replace/>
      </AccessType>
      <DFFormat>
        <node/>
      </DFFormat>
      <Occurrence>
        <OneOrMore/>
      </Occurrence>
      <DFType>
        <DDFName></DDFName>
      </DFType>
    </DFProperties>

    <Node>
      <NodeName>SSID</NodeName>
      <DFProperties>
        <AccessType>
          <Get/>
          <Replace/>
        </AccessType>
        <DFFormat>
          <chr/>
        </DFFormat>
        <Occurrence>
          <ZeroOrOne/>
        </Occurrence>
        <DFTitle>SSID</DFTitle>
        <DFType>
          <MIME>text/plain</MIME>
        </DFType>
      </DFProperties>
    </Node>

    <Node>
      <NodeName>BSSID</NodeName>
      <DFProperties>
        <AccessType>
          <Get/>
          <Replace/>
        </AccessType>
        <DFFormat>
          <chr/>
        </DFFormat>
        <Occurrence>
          <One/>
        </Occurrence>
        <DFTitle>BSSID</DFTitle>
        <DFType>

```

```

        <MIME>text/plain</MIME>
      </DFType>
    </DFProperties>
  </Node>
</Node>
</Node>
</Node>
</Node>
<Node>
  <NodeName>Geo_Location</NodeName>
  <DFProperties>
    <AccessType>
      <Get/>
      <Replace/>
    </AccessType>
    <DFFormat>
      <node/>
    </DFFormat>
    <Occurrence>
      <ZeroOrOne/>
    </Occurrence>
    <DFTitle>Geographical location.</DFTitle>
    <DFType>
      <DDFName/>
    </DFType>
  </DFProperties>

  <Node>
    <NodeName>Circular</NodeName>
    <DFProperties>
      <AccessType>
        <Get/>
        <Replace/>
      </AccessType>
      <DFFormat>
        <node/>
      </DFFormat>
      <Occurrence>
        <ZeroOrOne/>
      </Occurrence>
      <DFTitle>Circular location descripton.</DFTitle>
      <DFType>
        <DDFName/>
      </DFType>
    </DFProperties>

    <Node>
      <NodeName></NodeName>
      <DFProperties>
        <AccessType>
          <Get/>
          <Replace/>
        </AccessType>
        <DFFormat>
          <node/>
        </DFFormat>
        <Occurrence>
          <OneOrMore/>
        </Occurrence>
        <DFType>
          <DDFName></DDFName>
        </DFType>
      </DFProperties>

    <Node>
      <NodeName>AnchorLatitude</NodeName>
      <DFProperties>
        <AccessType>
          <Get/>
          <Replace/>
        </AccessType>
        <DFFormat>
          <chr/>
        </DFFormat>
        <Occurrence>
          <One/>
        </Occurrence>
        <DFTitle>Anchor latitude</DFTitle>
        <DFType>

```



```

        <MIME>text/plain</MIME>
      </DFType>
    </DFProperties>
  </Node>

  <Node>
    <NodeName>AnchorLongitude</NodeName>
    <DFProperties>
      <AccessType>
        <Get/>
        <Replace/>
      </AccessType>
      <DFFormat>
        <chr/>
      </DFFormat>
      <Occurrence>
        <One/>
      </Occurrence>
      <DFTitle>Anchor longitude</DFTitle>
      <DFType>
        <MIME>text/plain</MIME>
      </DFType>
    </DFProperties>
  </Node>

  <Node>
    <NodeName>Radius</NodeName>
    <DFProperties>
      <AccessType>
        <Get/>
        <Replace/>
      </AccessType>
      <DFFormat>
        <chr/>
      </DFFormat>
      <Occurrence>
        <One/>
      </Occurrence>
      <DFTitle>Radius</DFTitle>
      <DFType>
        <MIME>text/plain</MIME>
      </DFType>
    </DFProperties>
  </Node>
</Node>
</Node>
</Node>
</Node>
</Node>
<Node>
  <NodeName>Roaming</NodeName>
  <DFProperties>
    <AccessType>
      <Get/>
      <Replace/>
    </AccessType>
    <DFFormat>
      <bool/>
    </DFFormat>
    <Occurrence>
      <ZeroOrOne/>
    </Occurrence>
    <DFTitle>Rule priority.</DFTitle>
    <DFType>
      <MIME>text/plain</MIME>
    </DFType>
  </DFProperties>
</Node>

<Node>
  <NodeName>TimeOfDay</NodeName>
  <DFProperties>
    <AccessType>
      <Get/>
      <Replace/>
    </AccessType>
    <DFFormat>
      <node/>
    </DFFormat>
  </DFProperties>
</Node>

```

```

</DFFormat>
<Occurrence>
  <ZeroOrOne/>
</Occurrence>
<DFTitle>Time of day.</DFTitle>
<DFType>
  <DDFName/>
</DFType>
</DFProperties>

<Node>
  <NodeName></NodeName>
  <DFProperties>
    <AccessType>
      <Get/>
      <Replace/>
    </AccessType>
    <DFFormat>
      <node/>
    </DFFormat>
    <Occurrence>
      <OneOrMore/>
    </Occurrence>
    <DFType>
      <DDFName></DDFName>
    </DFType>
  </DFProperties>

  <Node>
    <NodeName>TimeStart</NodeName>
    <DFProperties>
      <AccessType>
        <Get/>
        <Replace/>
      </AccessType>
      <DFFormat>
        <int/>
      </DFFormat>
      <Occurrence>
        <ZeroOrOne/>
      </Occurrence>
      <DFTitle>Start condition for time of rule.</DFTitle>
      <DFType>
        <MIME>text/plain</MIME>
      </DFType>
    </DFProperties>
  </Node>

  <Node>
    <NodeName>TimeStop</NodeName>
    <DFProperties>
      <AccessType>
        <Get/>
        <Replace/>
      </AccessType>
      <DFFormat>
        <int/>
      </DFFormat>
      <Occurrence>
        <ZeroOrOne/>
      </Occurrence>
      <DFTitle>Stop condition for time of rule.</DFTitle>
      <DFType>
        <MIME>text/plain</MIME>
      </DFType>
    </DFProperties>
  </Node>

  <Node>
    <NodeName>DateStart</NodeName>
    <DFProperties>
      <AccessType>
        <Get/>
        <Replace/>
      </AccessType>
      <DFFormat>
        <int/>
      </DFFormat>

```

```

        <Occurrence>
          <ZeroOrOne/>
        </Occurrence>
        <DFTitle>Starting date for time condition of rule.</DFTitle>
        <DFType>
          <MIME>text/plain</MIME>
        </DFType>
      </DFProperties>
    </Node>

    <Node>
      <NodeName>DateStop</NodeName>
      <DFProperties>
        <AccessType>
          <Get/>
          <Replace/>
        </AccessType>
        <DFFormat>
          <int/>
        </DFFormat>
        <Occurrence>
          <ZeroOrOne/>
        </Occurrence>
        <DFTitle>Stop date for time condition of rule.</DFTitle>
        <DFType>
          <MIME>text/plain</MIME>
        </DFType>
      </DFProperties>
    </Node>
  </Node>
</Node>

<Node>
  <NodeName>UpdatePolicy</NodeName>
  <DFProperties>
    <AccessType>
      <Get/>
      <Replace/>
    </AccessType>
    <DFFormat>
      <bool/>
    </DFFormat>
    <Occurrence>
      <ZeroOrOne/>
    </Occurrence>
    <DFTitle>Update policy.</DFTitle>
    <DFType>
      <MIME>text/plain</MIME>
    </DFType>
  </DFProperties>
</Node>
</Node>

<Node>
  <NodeName>DiscoveryInformation</NodeName>
  <!-- The DiscoveryInformation node starts here. -->
  <DFProperties>
    <AccessType>
      <Get/>
      <Replace/>
    </AccessType>
    <DFFormat>
      <node/>
    </DFFormat>
    <Occurrence>
      <ZeroOrOne/>
    </Occurrence>
    <DFTitle>Access network discovery information.</DFTitle>
    <DFType>
      <DDFName/>
    </DFType>
  </DFProperties>

  <Node>
    <NodeName></NodeName>
    <DFProperties>
      <AccessType>

```

```

        <Get/>
        <Replace/>
    </AccessType>
    <DFFormat>
        <node/>
    </DFFormat>
    <Occurrence>
        <OneOrMore/>
    </Occurrence>
    <DFType>
        <DDFName></DDFName>
    </DFType>
</DFProperties>

<Node>
    <NodeName>AccessNetworkType</NodeName>
    <DFProperties>
        <AccessType>
            <Get/>
            <Replace/>
        </AccessType>
        <DFFormat>
            <int/>
        </DFFormat>
        <Occurrence>
            <One/>
        </Occurrence>
        <DFTitle>Access network type.</DFTitle>
        <DFType>
            <MIME>text/plain</MIME>
        </DFType>
    </DFProperties>
</Node>

<Node>
    <NodeName>AccessNetworkArea</NodeName>
    <DFProperties>
        <AccessType>
            <Get/>
            <Replace/>
        </AccessType>
        <DFFormat>
            <node/>
        </DFFormat>
        <Occurrence>
            <One/>
        </Occurrence>
        <DFTitle>Access network area.</DFTitle>
        <DFType>
            <DDFName/>
        </DFType>
    </DFProperties>

<Node>
    <NodeName>3GPP_Location</NodeName>
    <DFProperties>
        <AccessType>
            <Get/>
            <Replace/>
        </AccessType>
        <DFFormat>
            <node/>
        </DFFormat>
        <Occurrence>
            <ZeroOrOne/>
        </Occurrence>
        <DFTitle>Discovery information for 3GPP access.</DFTitle>
        <DFType>
            <DDFName/>
        </DFType>
    </DFProperties>

    <Node>
        <NodeName></NodeName>
        <DFProperties>
            <AccessType>
                <Get/>
                <Replace/>
            </AccessType>

```

```

    </AccessType>
    <DFFormat>
      <node/>
    </DFFormat>
  </Occurrence>
  <DFType>
    <DDFName></DDFName>
  </DFType>
</DFProperties>

<Node>
  <NodeName>PLMN</NodeName>
  <DFProperties>
    <AccessType>
      <Get/>
      <Replace/>
    </AccessType>
    <DFFormat>
      <chr/>
    </DFFormat>
    <Occurrence>
      <One/>
    </Occurrence>
    <DFTitle>PLMN.</DFTitle>
    <DFType>
      <MIME>text/plain</MIME>
    </DFType>
  </DFProperties>
</Node>

<Node>
  <NodeName>TAC</NodeName>
  <DFProperties>
    <AccessType>
      <Get/>
      <Replace/>
    </AccessType>
    <DFFormat>
      <chr/>
    </DFFormat>
    <Occurrence>
      <ZeroOrOne/>
    </Occurrence>
    <DFTitle>TAC.</DFTitle>
    <DFType>
      <MIME>text/plain</MIME>
    </DFType>
  </DFProperties>
</Node>

<Node>
  <NodeName>LAC</NodeName>
  <DFProperties>
    <AccessType>
      <Get/>
      <Replace/>
    </AccessType>
    <DFFormat>
      <chr/>
    </DFFormat>
    <Occurrence>
      <ZeroOrOne/>
    </Occurrence>
    <DFTitle>LAC.</DFTitle>
    <DFType>
      <MIME>text/plain</MIME>
    </DFType>
  </DFProperties>
</Node>

<Node>
  <NodeName>CGI</NodeName>
  <DFProperties>
    <AccessType>
      <Get/>
      <Replace/>

```

```

        </AccessType>
        <DFFormat>
            <chr/>
        </DFFormat>
        <Occurrence>
            <ZeroOrOne/>
        </Occurrence>
        <DFTitle>CGI.</DFTitle>
        <DFType>
            <MIME>text/plain</MIME>
        </DFType>
    </DFProperties>
</Node>
</Node>
</Node>
<Node>
    <NodeName>3GPP2_Location</NodeName>
    <DFProperties>
        <AccessType>
            <Get/>
            <Replace/>
        </AccessType>
        <DFFormat>
            <node/>
        </DFFormat>
        <Occurrence>
            <ZeroOrOne/>
        </Occurrence>
        <DFTitle>Discovery information for 3GPP2 access.</DFTitle>
        <DFType>
            <DDFName/>
        </DFType>
    </DFProperties>

    <Node>
        <NodeName>1x</NodeName>
        <DFProperties>
            <AccessType>
                <Get/>
                <Replace/>
            </AccessType>
            <DFFormat>
                <node/>
            </DFFormat>
            <Occurrence>
                <ZeroOrOne/>
            </Occurrence>
            <DFTitle>Discovery information for 3GPP2-1x access.</DFTitle>
            <DFType>
                <DDFName/>
            </DFType>
        </DFProperties>

    <Node>
        <NodeName></NodeName>
        <DFProperties>
            <AccessType>
                <Get/>
                <Replace/>
            </AccessType>
            <DFFormat>
                <node/>
            </DFFormat>
            <Occurrence>
                <OneOrMore/>
            </Occurrence>
            <DFType>
                <DDFName></DDFName>
            </DFType>
        </DFProperties>

    <Node>
        <NodeName>SID</NodeName>
        <DFProperties>
            <AccessType>
                <Get/>
                <Replace/>
            </AccessType>

```

```

        </AccessType>
        <DFFormat>
            <chr/>
        </DFFormat>
        <Occurrence>
            <One/>
        </Occurrence>
        <DFTitle>1x-SID.</DFTitle>
        <DFType>
            <MIME>text/plain</MIME>
        </DFType>
    </DFProperties>
</Node>

<Node>
    <NodeName>NID</NodeName>
    <DFProperties>
        <AccessType>
            <Get/>
            <Replace/>
        </AccessType>
        <DFFormat>
            <chr/>
        </DFFormat>
        <Occurrence>
            <ZeroOrOne/>
        </Occurrence>
        <DFTitle>1x-NID.</DFTitle>
        <DFType>
            <MIME>text/plain</MIME>
        </DFType>
    </DFProperties>
</Node>

<Node>
    <NodeName>Base_ID</NodeName>
    <DFProperties>
        <AccessType>
            <Get/>
            <Replace/>
        </AccessType>
        <DFFormat>
            <chr/>
        </DFFormat>
        <Occurrence>
            <ZeroOrOne/>
        </Occurrence>
        <DFTitle>1x-Base ID.</DFTitle>
        <DFType>
            <MIME>text/plain</MIME>
        </DFType>
    </DFProperties>
</Node>
</Node>
</Node>

<Node>
    <NodeName>HRPD</NodeName>
    <DFProperties>
        <AccessType>
            <Get/>
            <Replace/>
        </AccessType>
        <DFFormat>
            <node/>
        </DFFormat>
        <Occurrence>
            <ZeroOrOne/>
        </Occurrence>
        <DFTitle>Discovery information for 3GPP2-HRPD access</DFTitle>
        <DFType>
            <DDFName/>
        </DFType>
    </DFProperties>

    <Node>
        <NodeName></NodeName>
        <DFProperties>

```

```

    <AccessType>
      <Get/>
      <Replace/>
    </AccessType>
    <DFFormat>
      <node/>
    </DFFormat>
    <Occurrence>
      <OneOrMore/>
    </Occurrence>
    <DFType>
      <DDFName></DDFName>
    </DFType>
  </DFProperties>

  <Node>
    <NodeName>Sector_ID</NodeName>
    <DFProperties>
      <AccessType>
        <Get/>
        <Replace/>
      </AccessType>
      <DFFormat>
        <bit/>
      </DFFormat>
      <Occurrence>
        <One/>
      </Occurrence>
      <DFTitle>HRPD Sector ID</DFTitle>
      <DFType>
        <MIME>text/plain</MIME>
      </DFType>
    </DFProperties>
  </Node>

  <Node>
    <NodeName>Netmask</NodeName>
    <DFProperties>
      <AccessType>
        <Get/>
        <Replace/>
      </AccessType>
      <DFFormat>
        <bit/>
      </DFFormat>
      <Occurrence>
        <One/>
      </Occurrence>
      <DFTitle>HRPD netmask</DFTitle>
      <DFType>
        <MIME>text/plain</MIME>
      </DFType>
    </DFProperties>
  </Node>
</Node>

  <Node>
    <NodeName>WiMAX_Location</NodeName>
    <DFProperties>
      <AccessType>
        <Get/>
        <Replace/>
      </AccessType>
      <DFFormat>
        <node/>
      </DFFormat>
      <Occurrence>
        <ZeroOrOne/>
      </Occurrence>
      <DFTitle>Discovery information for WiMAX access.</DFTitle>
      <DFType>
        <DDFName/>
      </DFType>
    </DFProperties>
  </Node>

```



```

<NodeName></NodeName>
<DFProperties>
  <AccessType>
    <Get/>
    <Replace/>
  </AccessType>
  <DFFormat>
    <node/>
  </DFFormat>
  <Occurrence>
    <OneOrMore/>
  </Occurrence>
  <DFType>
    <DDFName></DDFName>
  </DFType>
</DFProperties>

<Node>
  <NodeName>NAP-ID</NodeName>
  <DFProperties>
    <AccessType>
      <Get/>
      <Replace/>
    </AccessType>
    <DFFormat>
      <chr/>
    </DFFormat>
    <Occurrence>
      <One/>
    </Occurrence>
    <DFTitle>NAP-ID</DFTitle>
    <DFType>
      <MIME>text/plain</MIME>
    </DFType>
  </DFProperties>
</Node>

<Node>
  <NodeName>BS-ID</NodeName>
  <DFProperties>
    <AccessType>
      <Get/>
      <Replace/>
    </AccessType>
    <DFFormat>
      <chr/>
    </DFFormat>
    <Occurrence>
      <One/>
    </Occurrence>
    <DFTitle>BS-ID</DFTitle>
    <DFType>
      <MIME>text/plain</MIME>
    </DFType>
  </DFProperties>
</Node>
</Node>

<Node>
  <NodeName>WiFi_Location</NodeName>
  <DFProperties>
    <AccessType>
      <Get/>
      <Replace/>
    </AccessType>
    <DFFormat>
      <node/>
    </DFFormat>
    <Occurrence>
      <ZeroOrOne/>
    </Occurrence>
    <DFTitle>Discovery information for WiFi access.</DFTitle>
    <DFType>
      <DDFName/>
    </DFType>
  </DFProperties>

```

```

<Node>
  <NodeName></NodeName>
  <DFProperties>
    <AccessType>
      <Get/>
      <Replace/>
    </AccessType>
    <DFFormat>
      <node/>
    </DFFormat>
    <Occurrence>
      <OneOrMore/>
    </Occurrence>
    <DFType>
      <DDFName></DDFName>
    </DFType>
  </DFProperties>

  <Node>
    <NodeName>SSID</NodeName>
    <DFProperties>
      <AccessType>
        <Get/>
        <Replace/>
      </AccessType>
      <DFFormat>
        <chr/>
      </DFFormat>
      <Occurrence>
        <ZeroOrOne/>
      </Occurrence>
      <DFTitle>SSID</DFTitle>
      <DFType>
        <MIME>text/plain</MIME>
      </DFType>
    </DFProperties>
  </Node>

  <Node>
    <NodeName>BSSID</NodeName>
    <DFProperties>
      <AccessType>
        <Get/>
        <Replace/>
      </AccessType>
      <DFFormat>
        <chr/>
      </DFFormat>
      <Occurrence>
        <One/>
      </Occurrence>
      <DFTitle>BSSID</DFTitle>
      <DFType>
        <MIME>text/plain</MIME>
      </DFType>
    </DFProperties>
  </Node>
</Node>

<Node>
  <NodeName>Geo_Location</NodeName>
  <DFProperties>
    <AccessType>
      <Get/>
      <Replace/>
    </AccessType>
    <DFFormat>
      <node/>
    </DFFormat>
    <Occurrence>
      <ZeroOrOne/>
    </Occurrence>
    <DFTitle>Geographical location.</DFTitle>
    <DFType>
      <DDFName/>
    </DFType>
  </DFProperties>

```

```

<Node>
  <nodeName>Circular</nodeName>
  <DFProperties>
    <AccessType>
      <Get/>
      <Replace/>
    </AccessType>
    <DFFormat>
      <node/>
    </DFFormat>
    <Occurrence>
      <ZeroOrOne/>
    </Occurrence>
    <DFTitle>Circular location descripton.</DFTitle>
    <DFType>
      <DDFName/>
    </DFType>
  </DFProperties>

  <Node>
    <nodeName></nodeName>
    <DFProperties>
      <AccessType>
        <Get/>
        <Replace/>
      </AccessType>
      <DFFormat>
        <node/>
      </DFFormat>
      <Occurrence>
        <OneOrMore/>
      </Occurrence>
      <DFType>
        <DDFName></DDFName>
      </DFType>
    </DFProperties>

    <Node>
      <nodeName>AnchorLatitude</nodeName>
      <DFProperties>
        <AccessType>
          <Get/>
          <Replace/>
        </AccessType>
        <DFFormat>
          <chr/>
        </DFFormat>
        <Occurrence>
          <One/>
        </Occurrence>
        <DFTitle>Anchor latitude</DFTitle>
        <DFType>
          <MIME>text/plain</MIME>
        </DFType>
      </DFProperties>
    </Node>

    <Node>
      <nodeName>AnchorLongitude</nodeName>
      <DFProperties>
        <AccessType>
          <Get/>
          <Replace/>
        </AccessType>
        <DFFormat>
          <chr/>
        </DFFormat>
        <Occurrence>
          <One/>
        </Occurrence>
        <DFTitle>Anchor longitude</DFTitle>
        <DFType>
          <MIME>text/plain</MIME>
        </DFType>
      </DFProperties>
    </Node>

```

```

        <Node>
          <NodeName>Radius</NodeName>
          <DFProperties>
            <AccessType>
              <Get/>
              <Replace/>
            </AccessType>
            <DFFormat>
              <chr/>
            </DFFormat>
            <Occurrence>
              <One/>
            </Occurrence>
            <DFTitle>Radius</DFTitle>
            <DFType>
              <MIME>text/plain</MIME>
            </DFType>
          </DFProperties>
        </Node>
      </Node>
    </Node>
  </Node>
</Node>

<Node>
  <NodeName>AccessNetworkInformationRef</NodeName>
  <DFProperties>
    <AccessType>
      <Get/>
      <Replace/>
    </AccessType>
    <DFFormat>
      <chr/>
    </DFFormat>
    <Occurrence>
      <ZeroOrOne/>
    </Occurrence>
    <DFTitle>Access network information reference.</DFTitle>
    <DFType>
      <MIME>text/plain</MIME>
    </DFType>
  </DFProperties>
</Node>
</Node>
</Node>

<Node>
  <NodeName>UE_Location</NodeName>
  <!-- The UE_Location node starts here. -->
  <DFProperties>
    <AccessType>
      <Get/>
    </AccessType>
    <DFFormat>
      <node/>
    </DFFormat>
    <Occurrence>
      <ZeroOrOne/>
    </Occurrence>
    <DFTitle>Current location of the UE</DFTitle>
    <DFType>
      <DDFName/>
    </DFType>
  </DFProperties>

  <Node>
    <NodeName>3GPP_Location</NodeName>
    <DFProperties>
      <AccessType>
        <Get/>
      </AccessType>
      <DFFormat>
        <node/>
      </DFFormat>
      <Occurrence>
        <ZeroOrOne/>
      </Occurrence>
      <DFTitle>Current 3GPP location of the UE</DFTitle>
    </DFProperties>
  </Node>
</Node>

```

```

    <DFType>
      <DDFName/>
    </DFType>
  </DFProperties>

<Node>
  <NodeName></NodeName>
  <DFProperties>
    <AccessType>
      <Get/>
    </AccessType>
    <DFFormat>
      <node/>
    </DFFormat>
    <Occurrence>
      <OneOrMore/>
    </Occurrence>
    <DFType>
      <DDFName></DDFName>
    </DFType>
  </DFProperties>

<Node>
  <NodeName>PLMN</NodeName>
  <DFProperties>
    <AccessType>
      <Get/>
    </AccessType>
    <DFFormat>
      <chr/>
    </DFFormat>
    <Occurrence>
      <One/>
    </Occurrence>
    <DFTitle>Current PLMN</DFTitle>
    <DFType>
      <MIME>text/plain</MIME>
    </DFType>
  </DFProperties>
</Node>

<Node>
  <NodeName>TAC</NodeName>
  <DFProperties>
    <AccessType>
      <Get/>
    </AccessType>
    <DFFormat>
      <chr/>
    </DFFormat>
    <Occurrence>
      <ZeroOrOne/>
    </Occurrence>
    <DFTitle>Current TAC</DFTitle>
    <DFType>
      <MIME>text/plain</MIME>
    </DFType>
  </DFProperties>
</Node>

<Node>
  <NodeName>LAC</NodeName>
  <DFProperties>
    <AccessType>
      <Get/>
    </AccessType>
    <DFFormat>
      <chr/>
    </DFFormat>
    <Occurrence>
      <ZeroOrOne/>
    </Occurrence>
    <DFTitle>Current LAC</DFTitle>
    <DFType>
      <MIME>text/plain</MIME>
    </DFType>
  </DFProperties>
</Node>

```

```

    <Node>
      <NodeName>CGI</NodeName>
      <DFProperties>
        <AccessType>
          <Get/>
        </AccessType>
        <DFFormat>
          <chr/>
        </DFFormat>
        <Occurrence>
          <ZeroOrOne/>
        </Occurrence>
        <DFTitle>Current CGI</DFTitle>
        <DFType>
          <MIME>text/plain</MIME>
        </DFType>
      </DFProperties>
    </Node>
  </Node>
</Node>

<Node>
  <NodeName>3GPP2_Location</NodeName>
  <DFProperties>
    <AccessType>
      <Get/>
    </AccessType>
    <DFFormat>
      <node/>
    </DFFormat>
    <Occurrence>
      <ZeroOrOne/>
    </Occurrence>
    <DFTitle>Current 3GPP2 location of the UE</DFTitle>
    <DFType>
      <DDFName/>
    </DFType>
  </DFProperties>

  <Node>
    <NodeName>1x</NodeName>
    <DFProperties>
      <AccessType>
        <Get/>
      </AccessType>
      <DFFormat>
        <node/>
      </DFFormat>
      <Occurrence>
        <ZeroOrOne/>
      </Occurrence>
      <DFTitle>Current 3GPP2-1x location of the UE</DFTitle>
      <DFType>
        <DDFName/>
      </DFType>
    </DFProperties>

    <Node>
      <NodeName></NodeName>
      <DFProperties>
        <AccessType>
          <Get/>
        </AccessType>
        <DFFormat>
          <node/>
        </DFFormat>
        <Occurrence>
          <OneOrMore/>
        </Occurrence>
        <DFType>
          <DDFName></DDFName>
        </DFType>
      </DFProperties>

      <Node>
        <NodeName>SID</NodeName>
        <DFProperties>

```

```

        <AccessType>
        <Get/>
    </AccessType>
    <DFFormat>
    <chr/>
</DFFormat>
<Occurrence>
    <One/>
</Occurrence>
<DFTitle>Current SID</DFTitle>
<DFType>
    <MIME>text/plain</MIME>
</DFType>
</DFProperties>
</Node>

<Node>
    <NodeName>NID</NodeName>
    <DFProperties>
        <AccessType>
        <Get/>
    </AccessType>
    <DFFormat>
    <chr/>
</DFFormat>
<Occurrence>
    <ZeroOrOne/>
</Occurrence>
<DFTitle>Current NID</DFTitle>
<DFType>
    <MIME>text/plain</MIME>
</DFType>
</DFProperties>
</Node>

<Node>
    <NodeName>Base_ID</NodeName>
    <DFProperties>
        <AccessType>
        <Get/>
    </AccessType>
    <DFFormat>
    <chr/>
</DFFormat>
<Occurrence>
    <ZeroOrOne/>
</Occurrence>
<DFTitle>Current Base ID</DFTitle>
<DFType>
    <MIME>text/plain</MIME>
</DFType>
</DFProperties>
</Node>
</Node>

<Node>
    <NodeName>HRPD</NodeName>
    <DFProperties>
        <AccessType>
        <Get/>
    </AccessType>
    <DFFormat>
    <node/>
</DFFormat>
<Occurrence>
    <ZeroOrOne/>
</Occurrence>
<DFTitle>Current 3GPP2-HRPD location of the UE</DFTitle>
<DFType>
    <DDFName/>
</DFType>
</DFProperties>

<Node>
    <NodeName></NodeName>
    <DFProperties>
        <AccessType>

```

```

        <Get/>
      </AccessType>
    <DFFormat>
      <node/>
    </DFFormat>
  <Occurrence>
    <OneOrMore/>
  </Occurrence>
<DFType>
  <DDFName></DDFName>
</DFType>
</DFProperties>

<Node>
  <NodeName>Sector_ID</NodeName>
  <DFProperties>
    <AccessType>
      <Get/>
    </AccessType>
    <DFFormat>
      <bit/>
    </DFFormat>
    <Occurrence>
      <One/>
    </Occurrence>
    <DFTitle>Current Sector ID</DFTitle>
    <DFType>
      <MIME>text/plain</MIME>
    </DFType>
  </DFProperties>
</Node>

<Node>
  <NodeName>Netmask</NodeName>
  <DFProperties>
    <AccessType>
      <Get/>
    </AccessType>
    <DFFormat>
      <bit/>
    </DFFormat>
    <Occurrence>
      <One/>
    </Occurrence>
    <DFTitle>HRPD netmask</DFTitle>
    <DFType>
      <MIME>text/plain</MIME>
    </DFType>
  </DFProperties>
</Node>
</Node>
</Node>

<Node>
  <NodeName>WiMAX_Location</NodeName>
  <DFProperties>
    <AccessType>
      <Get/>
    </AccessType>
    <DFFormat>
      <node/>
    </DFFormat>
    <Occurrence>
      <ZeroOrOne/>
    </Occurrence>
    <DFTitle>Current WiMAX location of the UE</DFTitle>
    <DFType>
      <DDFName/>
    </DFType>
  </DFProperties>

  <Node>
    <NodeName></NodeName>
    <DFProperties>
      <AccessType>
        <Get/>
      </AccessType>

```



```

    <DFFormat>
      <node/>
    </DFFormat>
  </DFProperties>
</DFType>
</DFProperties>
</Node>

<Node>
  <NodeName>NAP- ID</NodeName>
  <DFProperties>
    <AccessType>
      <Get/>
    </AccessType>
    <DFFormat>
      <chr/>
    </DFFormat>
    <Occurrence>
      <One/>
    </Occurrence>
    <DFTitle>Current NAP-ID</DFTitle>
    <DFType>
      <MIME>text/plain</MIME>
    </DFType>
  </DFProperties>
</Node>

<Node>
  <NodeName>BS- ID</NodeName>
  <DFProperties>
    <AccessType>
      <Get/>
    </AccessType>
    <DFFormat>
      <chr/>
    </DFFormat>
    <Occurrence>
      <One/>
    </Occurrence>
    <DFTitle>Current BS-ID</DFTitle>
    <DFType>
      <MIME>text/plain</MIME>
    </DFType>
  </DFProperties>
</Node>
</Node>
</Node>

<Node>
  <NodeName>WiFi_Location</NodeName>
  <DFProperties>
    <AccessType>
      <Get/>
    </AccessType>
    <DFFormat>
      <node/>
    </DFFormat>
    <Occurrence>
      <ZeroOrOne/>
    </Occurrence>
    <DFTitle>Current WiFi location of the UE</DFTitle>
    <DFType>
      <DDFName/>
    </DFType>
  </DFProperties>

  <Node>
    <NodeName></NodeName>
    <DFProperties>
      <AccessType>
        <Get/>
      </AccessType>
      <DFFormat>
        <node/>
      </DFFormat>
    </DFProperties>
  </Node>

```

```

    <Occurrence>
      <OneOrMore/>
    </Occurrence>
    <DFType>
      <DDFName></DDFName>
    </DFType>
  </DFProperties>

  <Node>
    <NodeName>SSID</NodeName>
    <DFProperties>
      <AccessType>
        <Get/>
      </AccessType>
      <DFFormat>
        <chr/>
      </DFFormat>
      <Occurrence>
        <ZeroOrOne/>
      </Occurrence>
      <DFTitle>Current SSID</DFTitle>
      <DFType>
        <MIME>text/plain</MIME>
      </DFType>
    </DFProperties>
  </Node>

  <Node>
    <NodeName>BSSID</NodeName>
    <DFProperties>
      <AccessType>
        <Get/>
      </AccessType>
      <DFFormat>
        <chr/>
      </DFFormat>
      <Occurrence>
        <One/>
      </Occurrence>
      <DFTitle>Current BSSID</DFTitle>
      <DFType>
        <MIME>text/plain</MIME>
      </DFType>
    </DFProperties>
  </Node>
</Node>

<Node>
  <NodeName>Geo_Location</NodeName>
  <DFProperties>
    <AccessType>
      <Get/>
    </AccessType>
    <DFFormat>
      <node/>
    </DFFormat>
    <Occurrence>
      <ZeroOrOne/>
    </Occurrence>
    <DFTitle>Current Geographical location of the UE</DFTitle>
    <DFType>
      <DDFName/>
    </DFType>
  </DFProperties>

  <Node>
    <NodeName>AnchorLatitude</NodeName>
    <DFProperties>
      <AccessType>
        <Get/>
      </AccessType>
      <DFFormat>
        <chr/>
      </DFFormat>
      <Occurrence>
        <One/>
      </Occurrence>

```

```

        <DFTitle>Anchor latitude</DFTitle>
        <DFType>
          <MIME>text/plain</MIME>
        </DFType>
      </DFProperties>
    </Node>

    <Node>
      <NodeName>AnchorLongitude</NodeName>
      <DFProperties>
        <AccessType>
          <Get/>
        </AccessType>
        <DFFormat>
          <chr/>
        </DFFormat>
        <Occurrence>
          <One/>
        </Occurrence>
        <DFTitle>Anchor longitude</DFTitle>
        <DFType>
          <MIME>text/plain</MIME>
        </DFType>
      </DFProperties>
    </Node>
  </Node>

  <Node>
    <NodeName>Ext</NodeName>
    <!-- The Extension node starts here. -->
    <DFProperties>
      <AccessType>
        <Get/>
      </AccessType>
      <DFFormat>
        <node/>
      </DFFormat>
      <Occurrence>
        <ZeroOrOne/>
      </Occurrence>
      <DFTitle>A collection of all Extension objects</DFTitle>
      <DFType>
        <DDFName/>
      </DFType>
    </DFProperties>
  </Node>

</Node>
</MgmtTree>

```

## Annex B (informative): WNDS MO DDF

This DDF is the standardized minimal set. A vendor can define its own DDF for the complete device. This DDF can include more features than this minimal standardized version.

```
<?xml version="1.0" encoding="UTF-8"?>
<!DOCTYPE MgmtTree PUBLIC "-//OMA//DTD SYNCML-DMDDF 1.2//EN"
http://www.openmobilealliance.org/tech/DTD/OMA-SyncML-DMDDF-1_2.dtd>

<MgmtTree>
  <VerDTD>1.2</VerDTD>
  <Man>--The device manufacturer--</Man>
  <Mod>--The device model--</Mod>

  <Node>
    <nodeName>WiMAX_NDS</nodeName>
    <DFProperties>
      <AccessType>
        <Get/>
      </AccessType>
      <Description>WiMAX NDS settings</Description>
      <DFFormat>
        <node/>
      </DFFormat>
      <Occurrence>
        <ZeroOrOne/>
      </Occurrence>
      <DFTitle>The WiMAX NDS Management Object.</DFTitle>
      <DFType>
        <DDFName/>
      </DFType>
    </DFProperties>

    <Node>
      <nodeName>Name</nodeName>
      <DFProperties>
        <AccessType>
          <Get/>
        </AccessType>
        <DFFormat>
          <chr/>
        </DFFormat>
        <Occurrence>
          <ZeroOrOne/>
        </Occurrence>
        <DFTitle>User displayable name for the node.</DFTitle>
        <DFType>
          <MIME>text/plain</MIME>
        </DFType>
      </DFProperties>
    </Node>

    <Node>
      <nodeName>NSP-ID</nodeName>
      <!-- The NSP-ID node starts here. -->
      <DFProperties>
        <AccessType>
          <Get/>
          <Replace/>
        </AccessType>
        <DFFormat>
          <node/>
        </DFFormat>
        <Occurrence>
          <One/>
        </Occurrence>
        <DFTitle>Properties for each of the NSP-ID.</DFTitle>
        <DFType>
          <DDFName/>
        </DFType>
      </DFProperties>
    </Node>
  </MgmtTree>
```

```

<Node>
  <NodeName/>
  <DFProperties>
    <AccessType>
      <Get/>
      <Replace/>
    </AccessType>
    <DFFormat>
      <node/>
    </DFFormat>
    <Occurrence>
      <OneOrMore/>
    </Occurrence>
    <DFTitle>The "name" node for properties of NSP-ID.</DFTitle>
    <DFType>
      <DDFName/>
    </DFType>
  </DFProperties>

  <Node>
    <NodeName>NSP-Verbose</NodeName>
    <DFProperties>
      <AccessType>
        <Get/>
        <Replace/>
      </AccessType>
      <DFFormat>
        <chr/>
      </DFFormat>
      <Occurrence>
        <One/>
      </Occurrence>
      <DFTitle>The verbose name of Netwrk Service Provider.</DFTitle>
      <DFType>
        <MIME>text/plain</MIME>
      </DFType>
    </DFProperties>
  </Node>

  <Node>
    <NodeName>NAP-ID</NodeName>
    <DFProperties>
      <AccessType>
        <Get/>
        <Replace/>
      </AccessType>
      <DFFormat>
        <int/>
      </DFFormat>
      <Occurrence>
        <One/>
      </Occurrence>
      <DFTitle>The Network Access Provider Identifier.</DFTitle>
      <DFType>
        <MIME>text/plain</MIME>
      </DFType>
    </DFProperties>
  </Node>

  <Node>
    <NodeName>BS-ID</NodeName>
    <DFProperties>
      <AccessType>
        <Get/>
        <Replace/>
      </AccessType>
      <DFFormat>
        <int/>
      </DFFormat>
      <Occurrence>
        <One/>
      </Occurrence>
      <DFTitle>The Base Station Identifier.</DFTitle>
      <DFType>
        <MIME>text/plain</MIME>
      </DFType>
    </DFProperties>
  </Node>

```

```

<Node>
  <NodeName>FrequencyInfo</NodeName>
  <!-- The FrequencyInfo node starts here. -->
  <DFProperties>
    <AccessType>
      <Get/>
    </AccessType>
    <DFFormat>
      <node/>
    </DFFormat>
    <Occurrence>
      <One/>
    </Occurrence>
    <DFTitle>Frequency Information for the NAP Identifier.</DFTitle>
    <DFType>
      <DDFName/>
    </DFType>
  </DFProperties>

  <Node>
    <NodeName/>
    <DFProperties>
      <AccessType>
        <Get/>
      </AccessType>
      <DFFormat>
        <node/>
      </DFFormat>
      <Occurrence>
        <OneOrMore/>
      </Occurrence>
      <DFTitle>The "name" node for frequency Information of NAP-ID.</DFTitle>
      <DFType>
        <DDFName/>
      </DFType>
    </DFProperties>

    <Node>
      <NodeName>FirstFreq</NodeName>
      <DFProperties>
        <AccessType>
          <Get/>
          <Replace/>
        </AccessType>
        <DFFormat>
          <int/>
        </DFFormat>
        <Occurrence>
          <One/>
        </Occurrence>
        <DFTitle>The First Center Frequency.</DFTitle>
        <DFType>
          <MIME>text/plain</MIME>
        </DFType>
      </DFProperties>
    </Node>

    <Node>
      <NodeName>LastFreq</NodeName>
      <DFProperties>
        <AccessType>
          <Get/>
          <Replace/>
        </AccessType>
        <DFFormat>
          <int/>
        </DFFormat>
        <Occurrence>
          <One/>
        </Occurrence>
        <DFTitle>The Last Center Frequency.</DFTitle>
        <DFType>
          <MIME>text/plain</MIME>
        </DFType>
      </DFProperties>
    </Node>

```

```

<Node>
  <NodeName>NextFreqStep</NodeName>
  <DFProperties>
    <AccessType>
      <Get/>
      <Replace/>
    </AccessType>
    <DFFormat>
      <int/>
    </DFFormat>
    <Occurrence>
      <One/>
    </Occurrence>
    <DFTitle>The frequency step for next central frequency.</DFTitle>
    <DFType>
      <MIME>text/plain</MIME>
    </DFType>
  </DFProperties>
</Node>

<Node>
  <NodeName>ChannelBandwidth</NodeName>
  <DFProperties>
    <AccessType>
      <Get/>
      <Replace/>
    </AccessType>
    <DFFormat>
      <int/>
    </DFFormat>
    <Occurrence>
      <One/>
    </Occurrence>
    <DFTitle>The channel bandwidth in KHz.</DFTitle>
    <DFType>
      <MIME>text/plain</MIME>
    </DFType>
  </DFProperties>
</Node>

<Node>
  <NodeName>DuplexMode</NodeName>
  <DFProperties>
    <AccessType>
      <Get/>
      <Replace/>
    </AccessType>
    <DFFormat>
      <int/>
    </DFFormat>
    <Occurrence>
      <One/>
    </Occurrence>
    <DFTitle>The duplex mode for this channel.</DFTitle>
    <DFType>
      <MIME>text/plain</MIME>
    </DFType>
  </DFProperties>
</Node>

<Node>
  <NodeName>FFTSIZE</NodeName>
  <DFProperties>
    <AccessType>
      <Get/>
      <Replace/>
    </AccessType>
    <DFFormat>
      <int/>
    </DFFormat>
    <Occurrence>
      <One/>
    </Occurrence>
    <DFTitle>The FFT size for this channel.</DFTitle>
    <DFType>
      <MIME>text/plain</MIME>
    </DFType>
  </DFProperties>

```

```

</Node>

<Node>
  <nodeName>Preambles</nodeName>
  <DFProperties>
    <AccessType>
      <Get/>
      <Replace/>
    </AccessType>
    <DFFormat>
      <chr/>
    </DFFormat>
    <Occurrence>
      <One/>
    </Occurrence>
    <DFTitle>The Preambles for this channel.</DFTitle>
    <DFType>
      <MIME>text/plain</MIME>
    </DFType>
  </DFProperties>
</Node>
</Node>

<Node>
  <nodeName>SystemVersion</nodeName>
  <DFProperties>
    <AccessType>
      <Get/>
      <Replace/>
    </AccessType>
    <DFFormat>
      <chr/>
    </DFFormat>
    <Occurrence>
      <One/>
    </Occurrence>
    <DFTitle>The System Profile Version supported.</DFTitle>
    <DFType>
      <MIME>text/plain</MIME>
    </DFType>
  </DFProperties>
</Node>

<Node>
  <nodeName>AvailableDownlinkResources</nodeName>
  <DFProperties>
    <AccessType>
      <Get/>
      <Replace/>
    </AccessType>
    <DFFormat>
      <int/>
    </DFFormat>
    <Occurrence>
      <One/>
    </Occurrence>
    <DFTitle>The available downlink radio resources.</DFTitle>
    <DFType>
      <MIME>text/plain</MIME>
    </DFType>
  </DFProperties>
</Node>

<Node>
  <nodeName>CellType</nodeName>
  <DFProperties>
    <AccessType>
      <Get/>
      <Replace/>
    </AccessType>
    <DFFormat>
      <int/>
    </DFFormat>
    <Occurrence>
      <One/>
    </Occurrence>
    <DFTitle>The Cell Type.</DFTitle>
  </DFProperties>
</Node>

```



```

        <DFType>
          <MIME>text/plain</MIME>
        </DFType>
      </DFProperties>
    </Node>

    <Node>
      <NodeName>DefaultAverageRSSI</NodeName>
      <DFProperties>
        <AccessType>
          <Get/>
          <Replace/>
        </AccessType>
        <DFFormat>
          <int/>
        </DFFormat>
        <Occurrence>
          <One/>
        </Occurrence>
        <DFTitle>The default average RSSI for this cell.</DFTitle>
        <DFType>
          <MIME>text/plain</MIME>
        </DFType>
      </DFProperties>
    </Node>

    <Node>
      <NodeName>DefaultAverageCINR</NodeName>
      <DFProperties>
        <AccessType>
          <Get/>
          <Replace/>
        </AccessType>
        <DFFormat>
          <int/>
        </DFFormat>
        <Occurrence>
          <One/>
        </Occurrence>
        <DFTitle>The default average CINR for this cell.</DFTitle>
        <DFType>
          <MIME>text/plain</MIME>
        </DFType>
      </DFProperties>
    </Node>
  </Node>
</Node>

  <Node>
    <NodeName>OperatorDifferentiatedTextField</NodeName>
    <DFProperties>
      <AccessType>
        <Get/>
        <Replace/>
      </AccessType>
      <DFFormat>
        <chr/>
      </DFFormat>
      <Occurrence>
        <ZeroOrOne/>
      </Occurrence>
      <DFTitle>The differentiated operator text field for this cell.</DFTitle>
      <DFType>
        <MIME>text/plain</MIME>
      </DFType>
    </DFProperties>
  </Node>

<Node>
  <NodeName>Ext</NodeName>
  <!-- The Extension node starts here. -->
  <DFProperties>
    <AccessType>
      <Get/>
    </AccessType>
    <DFFormat>
      <node/>
    </DFFormat>

```

```
<Occurrence>
  <ZeroOrOne/>
</Occurrence>
<DFTitle>A collection of all Extension objects.</DFTitle>
<DFType>
  <DDFName/>
</DFType>
</DFProperties>
</Node>
</Node>
</MgmtTree>
```

## Annex C (informative): Change history

Change history							
Date	TSG #	TSG Doc.	CR	Rev	Subject/Comment	Old	New
2008-10	CT1#55 bis				Includes the following contributions agreed by CT1: C1-084148, C1-084151, C1-084557, C1-084451, C1-084452, C1-084558, C1-084559, C1-084560		0.1.0
2008-11	CT1#56				Includes the following contributions agreed by CT1: C1-084830, C1-085155, C1-085346, C1-085535, C1-085554, C1-085343, C1-085536, C1-085347, C1-085339 Alignments and cleanups by the rapporteur	0.1.0	0.2.0
2008-11					Version 1.0.0 created for presentation to CT#42 for information and approval	0.2.0	1.0.0
2008-12	CT#42				Version 8.0.0 created after approval in CT#42	1.0.0	8.0.0
2009-03	CT#43	CP-090125	000 1	4	Adding ConnMO reference and Correct the Alert Type	8.0.0	8.1.0
2009-03	CT#43	CP-090131	000 5		urn for the ANDSF MO registered by OMNA	8.0.0	8.1.0
2009-03	CT#43	CP-090130	000 7	1	TimeOfDay Modification	8.0.0	8.1.0
2009-03	CT#43	CP-090128	001 2	2	Geo_location identifiers	8.0.0	8.1.0
2009-03	CT#43	CP-090127	001 6	2	Corrections and cleanups of the ANDSF MO	8.0.0	8.1.0
2009-03	CT#43	CP-090127	001 7	2	Creating the DDF for the ANDSF MO	8.0.0	8.1.0
2009-03	CT#43	CP-090129	001 9	1	Removal of editor"s notes	8.0.0	8.1.0

---

# History

<b>Document history</b>		
V8.0.0	January 2009	Publication
V8.1.0	March 2009	Publication