

ETSI TS 124 391 V14.0.0 (2017-04)



**Universal Mobile Telecommunications System (UMTS);  
LTE;  
Unstructured Supplementary Service Data (USSD)  
using IP Multimedia (IM) Core Network (CN) subsystem (IMS)  
Management Object (MO)  
(3GPP TS 24.391 version 14.0.0 Release 14)**



---

Reference

RTS/TSGC-0124391ve00

---

Keywords

LTE,UMTS

**ETSI**

650 Route des Lucioles  
F-06921 Sophia Antipolis Cedex - FRANCE

Tel.: +33 4 92 94 42 00 Fax: +33 4 93 65 47 16

Siret N° 348 623 562 00017 - NAF 742 C  
Association à but non lucratif enregistrée à la  
Sous-Préfecture de Grasse (06) N° 7803/88

---

**Important notice**

The present document can be downloaded from:  
<http://www.etsi.org/standards-search>

The present document may be made available in electronic versions and/or in print. The content of any electronic and/or print versions of the present document shall not be modified without the prior written authorization of ETSI. In case of any existing or perceived difference in contents between such versions and/or in print, the only prevailing document is the print of the Portable Document Format (PDF) version kept on a specific network drive within ETSI Secretariat.

Users of the present document should be aware that the document may be subject to revision or change of status. Information on the current status of this and other ETSI documents is available at  
<https://portal.etsi.org/TB/ETSIDeliverableStatus.aspx>

If you find errors in the present document, please send your comment to one of the following services:  
<https://portal.etsi.org/People/CommiteeSupportStaff.aspx>

---

**Copyright Notification**

No part may be reproduced or utilized in any form or by any means, electronic or mechanical, including photocopying and microfilm except as authorized by written permission of ETSI.

The content of the PDF version shall not be modified without the written authorization of ETSI.  
The copyright and the foregoing restriction extend to reproduction in all media.

© European Telecommunications Standards Institute 2017.  
All rights reserved.

**DECT™**, **PLUGTESTS™**, **UMTS™** and the ETSI logo are Trade Marks of ETSI registered for the benefit of its Members.  
**3GPP™** and **LTE™** are Trade Marks of ETSI registered for the benefit of its Members and of the 3GPP Organizational Partners.  
**GSM®** and the GSM logo are Trade Marks registered and owned by the GSM Association.

---

## Intellectual Property Rights

IPRs essential or potentially essential to the present document may have been declared to ETSI. The information pertaining to these essential IPRs, if any, is publicly available for **ETSI members and non-members**, and can be found in ETSI SR 000 314: "*Intellectual Property Rights (IPRs); Essential, or potentially Essential, IPRs notified to ETSI in respect of ETSI standards*", which is available from the ETSI Secretariat. Latest updates are available on the ETSI Web server (<https://ipr.etsi.org>).

Pursuant to the ETSI IPR Policy, no investigation, including IPR searches, has been carried out by ETSI. No guarantee can be given as to the existence of other IPRs not referenced in ETSI SR 000 314 (or the updates on the ETSI Web server) which are, or may be, or may become, essential to the present document.

---

## Foreword

This Technical Specification (TS) has been produced by ETSI 3rd Generation Partnership Project (3GPP).

The present document may refer to technical specifications or reports using their 3GPP identities, UMTS identities or GSM identities. These should be interpreted as being references to the corresponding ETSI deliverables.

The cross reference between GSM, UMTS, 3GPP and ETSI identities can be found under <http://webapp.etsi.org/key/queryform.asp>.

---

## Modal verbs terminology

In the present document "**shall**", "**shall not**", "**should**", "**should not**", "**may**", "**need not**", "**will**", "**will not**", "**can**" and "**cannot**" are to be interpreted as described in clause 3.2 of the [ETSI Drafting Rules](#) (Verbal forms for the expression of provisions).

"**must**" and "**must not**" are **NOT** allowed in ETSI deliverables except when used in direct citation.

---

# Contents

Intellectual Property Rights .....	2
Foreword.....	2
Modal verbs terminology.....	2
Foreword.....	4
1 Scope .....	5
2 References .....	5
3 Definitions, symbols and abbreviations .....	5
3.1 Definitions .....	5
3.2 Abbreviations .....	5
4 USSI MO .....	7
5 MO configuration parameters .....	7
5.1 General .....	7
5.2 Node: /<X> .....	7
5.3 /<X>/Name .....	8
5.4 /<X>/USSD_using_CS_domain_only .....	8
5.4A /<X>/3GPP_PS_data_off.....	8
5.4B /<X>/3GPP_PS_data_off/USSI_exempt .....	8
5.5 /<X>/Ext .....	8
<b>Annex A (informative): USSI MO DDF .....</b>	<b>10</b>
<b>Annex B (informative): Change history .....</b>	<b>12</b>
History .....	13

---

# Foreword

This Technical Specification has been produced by the 3<sup>rd</sup> Generation Partnership Project (3GPP).

The contents of the present document are subject to continuing work within the TSG and may change following formal TSG approval. Should the TSG modify the contents of the present document, it will be re-released by the TSG with an identifying change of release date and an increase in version number as follows:

Version x.y.z

where:

- x the first digit:
  - 1 presented to TSG for information;
  - 2 presented to TSG for approval;
  - 3 or greater indicates TSG approved document under change control.
- y the second digit is incremented for all changes of substance, i.e. technical enhancements, corrections, updates, etc.
- z the third digit is incremented when editorial only changes have been incorporated in the document.

---

# 1 Scope

The present document defines the unstructured supplementary service data (USSD) using IP Multimedia (IM) Core Network (CN) subsystem (IMS) management object (MO). The MO is compatible with OMA device management protocol specifications, version 1.2 and upwards, and is defined using the OMA DM device description framework as described in the enabler release definition OMA-ERELED\_DM-V1\_2 [2].

The USSD using IMS (USSDI) MO consists of relevant configuration parameters that can be managed for the UE's USSDI capabilities specified in 3GPP TS 24.390 [3].

---

# 2 References

The following documents contain provisions which, through reference in this text, constitute provisions of the present document.

- References are either specific (identified by date of publication, edition number, version number, etc.) or non-specific.
- For a specific reference, subsequent revisions do not apply.
- For a non-specific reference, the latest version applies. In the case of a reference to a 3GPP document (including a GSM document), a non-specific reference implicitly refers to the latest version of that document *in the same Release as the present document*.

- [1] 3GPP TR 21.905: "Vocabulary for 3GPP Specifications".
- [2] OMA-ERELED-DM-V1\_2-20070209-A: "Enabler Release Definition for OMA Device Management, Version 1.2".
- [3] 3GPP TS 24.390: "Unstructured Supplementary Service Data (USSD) using IP Multimedia (IM) Core Network (CN) subsystem IMS; Stage 3".
- [4] 3GPP TS 23.221: "Architectural requirements".
- [5] 3GPP TS 24.090: "Unstructured Supplementary Service Data (USSD); Stage 3".

---

# 3 Definitions, symbols and abbreviations

## 3.1 Definitions

For the purposes of the present document, the terms and definitions given in 3GPP TR 21.905 [1] and the following apply. A term defined in the present document takes precedence over the definition of the same term, if any, in 3GPP TR 21.905 [1].

## 3.2 Abbreviations

For the purposes of the present document, the abbreviations given in 3GPP TR 21.905 [1] and the following apply. An abbreviation defined in the present document takes precedence over the definition of the same abbreviation, if any, in 3GPP TR 21.905 [1].

CN	Core Network
DDF	Device Description Framework
DM	Device Management
HPLMN	Home Public Land Mobile Network
IM	IP Multimedia
IMS	IP Multimedia core network Subsystem
IP	Internet Protocol

MO	Management Object
OMA	Open Mobile Alliance
SIP	Session Initiation Protocol
UE	User Equipment
USSD	Unstructured Supplementary Service Data
USSI	USSD using IMS

## 4 USSI MO

The USSI MO is used to manage settings of the UE for USSI. The USSI MO covers configuration parameters for a UE that supports the USSI capabilities specified in 3GPP TS 24.390 [3].

The MO identifier is: urn:oma:mo:ext-3gpp-ussi:1.0.

Protocol compatibility: This MO is compatible with OMA DM 1.2.

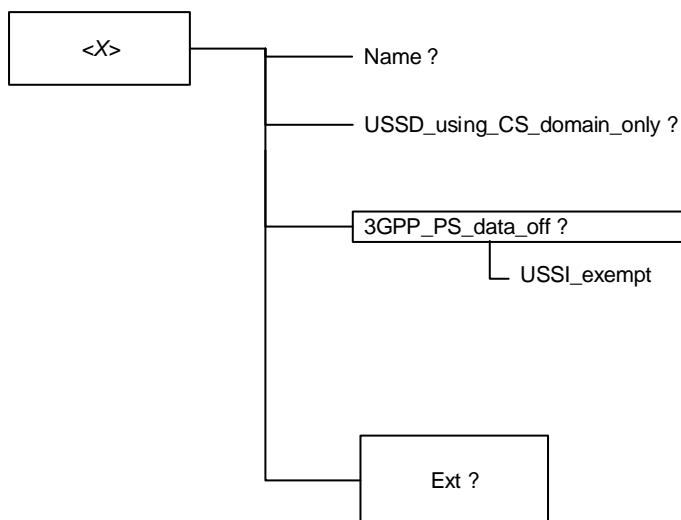


Figure 4.1: USSI MO

## 5 MO configuration parameters

### 5.1 General

This clause describes the configuration parameters for the USSI MO.

### 5.2 Node: /<X>

This interior node acts as a placeholder for one or more accounts for a fixed node.

- Occurrence: OneOrMore
- Format: node
- Access Types: Get
- Values: N/A

The interior node is mandatory if the UE supports USSI capabilities specified in 3GPP TS 24.390 [3]. Support for a UE is defined by the UE role as specified in 3GPP TS 24.390 [3].

NOTE: One node is normally used. More nodes are only used in case the terminal supports multiple UICCs.



## 5.3 /<X>/Name

The Name leaf is a name for the USSI settings.

- Occurrence: ZeroOrOne
- Format: chr
- Access Types: Get
- Values: <User displayable name>

## 5.4 /<X>/USSD\_using\_CS\_domain\_only

The USSD\_using\_CS\_domain\_only leaf indicates HPLMN operator preference for invocation of originating USSD requests using the mechanism specified in 3GPP TS 24.090 [5]. This equates to "USSD requests are to be invoked via the CS domain" as described in 3GPP TS 23.221 [4].

NOTE: In absence of this configuration parameter, originating USSD request are invoked in domain used for originating voice sessions as described in 3GPP TS 23.221 [4].

- Occurrence: ZeroOrOne
- Format: null
- Access Types: Get, Replace
- Values: null

### 5.4A /<X>/3GPP\_PS\_data\_off

The interior node contains configuration parameters for 3GPP PS data off.

- Occurrence: ZeroOrOne
- Format: node
- Access Types: Get, Replace
- Values: N/A

### 5.4B /<X>/3GPP\_PS\_data\_off/USSI\_exempt

The leaf indicates whether the USSI is a 3GPP PS data off exempt service.

- Occurrence: One
- Format: bool
- Access Types: Get, Replace
- Values: 0, 1

0 - Indicates that the USSI is not a 3GPP PS data off exempt service.

1 - Indicates that the USSI is a 3GPP PS data off exempt service.

## 5.5 /<X>/Ext

The Ext is an interior node for where the vendor specific information about the USSI management is being placed (vendor meaning application vendor, device vendor etc.). Usually the vendor extension is identified by vendor specific

name under the ext node. The tree structure under the vendor identified is not defined and can therefore include one or more un-standardized sub-trees.

- Occurrence: ZeroOrOne
- Format: node
- Access Types: Get
- Values: N/A

## Annex A (informative): USSI MO DDF

This DDF is the standardized minimal set. A vendor can define its own DDF for the complete device. This DDF can include more features than this minimal standardized version.

```
<?xml version="1.0" encoding="UTF-8"?>
<!DOCTYPE MgmtTree PUBLIC "-//OMA//DTD-DM-DDF 1.2//EN"
"http://www.openmobilealliance.org/tech/DTD/DM_DDF-V1_2.dtd">
<MgmtTree>
  <VerDTD>1.2</VerDTD>
  <Man>--The device manufacturer--</Man>
  <Mod>--The device model--</Mod>
  <Node>
    <NodeName/>
    <DFProperties>
      <AccessType>
        <Get/>
      </AccessType>
      <Description>USSI configuration parameters</Description>
      <DFFormat>
        <node/>
      </DFFormat>
      <Occurrence>
        <OneOrMore/>
      </Occurrence>
      <Scope>
        <Permanent/>
      </Scope>
      <DFTitle>The Unstructured Supplementary Service Data (USSD) using IP Multimedia (IM)
Core Network (CN) subsystem (IMS) Management Object (MO).</DFTitle>
      <DFType>
        <DDFName/>
      </DFType>
    </DFProperties>
  </Node>
  <Node>
    <NodeName>Name</NodeName>
    <DFProperties>
      <AccessType>
        <Get/>
      </AccessType>
      <DFFormat>
        <chr/>
      </DFFormat>
      <Occurrence>
        <ZeroOrOne/>
      </Occurrence>
      <Scope>
        <Dynamic/>
      </Scope>
      <DFTitle>The name for the USSI setting.</DFTitle>
      <DFType>
        <MIME>text/plain</MIME>
      </DFType>
    </DFProperties>
  </Node>
  <Node>
    <NodeName>USSD_using_CS_domain_only</NodeName>
    <DFProperties>
      <AccessType>
        <Get/>
        <Replace/>
      </AccessType>
      <DFFormat>
        <null/>
      </DFFormat>
      <Occurrence>
        <ZeroOrOne/>
      </Occurrence>
      <Scope>
        <Dynamic/>
      </Scope>
      <DFTitle>The HPLMN operator preference for invocation of originating USSD
requests.</DFTitle>
      <DFType>
```

```

        <MIME>text/plain</MIME>
      </DFType>
    </DFProperties>
  </Node>
<Node>
  <NodeName>3GPP_PS_data_off</NodeName>
  <DFProperties>
    <AccessType>
      <Replace/>
      <Get/>
    </AccessType>
    <DFFormat>
      <node/>
    </DFFormat>
    <Occurrence>
      <ZeroOrOne/>
    </Occurrence>
    <Scope>
      <Dynamic/>
    </Scope>
    <DFTitle>Configuration parameters for 3GPP PS data off.</DFTitle>
    <DFType>
      <DDFName/>
    </DFType>
  </DFProperties>
<Node>
  <NodeName>USSI_exempt</NodeName>
  <DFProperties>
    <AccessType>
      <Get/>
      <Replace/>
    </AccessType>
    <DFFormat>
      <bool/>
    </DFFormat>
    <Occurrence>
      <One/>
    </Occurrence>
    <Scope>
      <Dynamic/>
    </Scope>
    <DFTitle>Whether the USSI is a 3GPP PS data off exempt service.</DFTitle>
    <DFType>
      <MIME>text/plain</MIME>
    </DFType>
  </DFProperties>
</Node>
</Node>
<Node>
  <NodeName>Ext</NodeName>
  <!-- The Extension node starts here. -->
  <DFProperties>
    <AccessType>
      <Get/>
    </AccessType>
    <DFFormat>
      <node/>
    </DFFormat>
    <Occurrence>
      <ZeroOrOne/>
    </Occurrence>
    <Scope>
      <Dynamic/>
    </Scope>
    <DFTitle>A collection of all Extension objects.</DFTitle>
    <DFType>
      <DDFName/>
    </DFType>
  </DFProperties>
</Node>
</Node>
</MgmtTree>

```

## Annex B (informative): Change history

Change history							
Date	TSG #	TSG Doc.	CR	Rev	Subject/Comment	Old	New
2014-05					Version 0.1.0: based on C1-141702, C1-141703, C1-141704		0.1.0
2014-06	CT-64	CP-140281			Version 1.0.0 created for presentation for information and approval	0.1.0	1.0.0
2014-06	CT-64	CP-140455				1.0.0	2.0.0
2014-06	Post CT-64				Version 12.0.0 created after approval at CT-64	2.0.0	12.0.0
2014-09	CT-65	CP-140668	0001		Fixing access types not aligned in clause 5 and annex A	12.0.0	12.1.0
2014-12	CT-66	CP-140853	0002		Resolving editor's note on registration of MOID with OMA	12.1.0	12.2.0
2015-12	CT-70				Upgrade to Rel-13	12.2.0	13.0.0

Change history							
Date	Meeting	TDoc	CR	Rev	Cat	Subject/Comment	New version
2017-03	CT-75	CP-170130	0003		B	USSI configuration for 3GPP PS Data Off	14.0.0

---

# History

<b>Document history</b>		
V14.0.0	April 2017	Publication