

ETSI TS 124 404 V7.2.0 (2008-10)

Technical Specification

**Digital cellular telecommunications system (Phase 2+);
Universal Mobile Telecommunications System (UMTS);
TISPAN;
PSTN/ISDN simulation services:
Communication Diversion (CDIV);
Protocol specification
(3GPP TS 24.404 version 7.2.0 Release 7)**



Reference

RTS/TSGC-0124404v720

Keywords

GSM, UMTS

ETSI

650 Route des Lucioles
F-06921 Sophia Antipolis Cedex - FRANCE

Tel.: +33 4 92 94 42 00 Fax: +33 4 93 65 47 16

Siret N° 348 623 562 00017 - NAF 742 C
Association à but non lucratif enregistrée à la
Sous-Préfecture de Grasse (06) N° 7803/88

Important notice

Individual copies of the present document can be downloaded from:

<http://www.etsi.org>

The present document may be made available in more than one electronic version or in print. In any case of existing or perceived difference in contents between such versions, the reference version is the Portable Document Format (PDF). In case of dispute, the reference shall be the printing on ETSI printers of the PDF version kept on a specific network drive within ETSI Secretariat.

Users of the present document should be aware that the document may be subject to revision or change of status. Information on the current status of this and other ETSI documents is available at

<http://portal.etsi.org/tb/status/status.asp>

If you find errors in the present document, please send your comment to one of the following services:

http://portal.etsi.org/chaicor/ETSI_support.asp

Copyright Notification

No part may be reproduced except as authorized by written permission.
The copyright and the foregoing restriction extend to reproduction in all media.

© European Telecommunications Standards Institute 2008.
All rights reserved.

DECTTM, **PLUGTESTS**TM, **UMTS**TM, **TIPHON**TM, the TIPHON logo and the ETSI logo are Trade Marks of ETSI registered for the benefit of its Members.

3GPPTM is a Trade Mark of ETSI registered for the benefit of its Members and of the 3GPP Organizational Partners.

Intellectual Property Rights

IPRs essential or potentially essential to the present document may have been declared to ETSI. The information pertaining to these essential IPRs, if any, is publicly available for **ETSI members and non-members**, and can be found in ETSI SR 000 314: "*Intellectual Property Rights (IPRs); Essential, or potentially Essential, IPRs notified to ETSI in respect of ETSI standards*", which is available from the ETSI Secretariat. Latest updates are available on the ETSI Web server (<http://webapp.etsi.org/IPR/home.asp>).

Pursuant to the ETSI IPR Policy, no investigation, including IPR searches, has been carried out by ETSI. No guarantee can be given as to the existence of other IPRs not referenced in ETSI SR 000 314 (or the updates on the ETSI Web server) which are, or may be, or may become, essential to the present document.

Foreword

This Technical Specification (TS) has been produced by ETSI 3rd Generation Partnership Project (3GPP).

The present document may refer to technical specifications or reports using their 3GPP identities, UMTS identities or GSM identities. These should be interpreted as being references to the corresponding ETSI deliverables.

The cross reference between GSM, UMTS, 3GPP and ETSI identities can be found under <http://webapp.etsi.org/key/queryform.asp>.

Contents

Intellectual Property Rights	2
Foreword.....	2
Foreword.....	5
1 Scope	6
2 References	6
2.1 Normative references	6
2.2 Informative references.....	7
3 Definitions and abbreviations.....	7
3.1 Definitions	7
3.2 Abbreviations	8
4 Communication Diversion (CDIV)	8
4.1 Introduction	8
4.2 Description	9
4.2.1 General description	9
4.3 Operational requirements	11
4.3.1 Provision/withdrawal.....	11
4.3.2 Requirements on the originating network side.....	12
4.3.3 Requirements in the network	12
4.4 Coding requirements	12
4.4.1 SIP-Messages.....	13
4.4.2 Parameters.....	13
4.5 Signalling requirements.....	13
4.5.0 General.....	13
4.5.1 Activation/deactivation	13
4.5.1A Registration/erasure	14
4.5.1B Interrogation	14
4.5.2 Invocation and operation	14
4.5.2.1 Actions at the originating UA	14
4.5.2.2 Actions at the originating P-CSCF.....	14
4.5.2.3 Actions at the originating S-CSCF.....	14
4.5.2.4 Actions at the diverting S-CSCF.....	14
4.5.2.5 Actions at the diverted to S-CSCF	14
4.5.2.6 Actions at the AS of the diverting User	14
4.5.2.6.1 Checking of the diversion limits.....	14
4.5.2.6.2 Setting of the diversion parameters by the AS	15
4.5.2.6.3 Diversion procedures at the diverting AS.....	18
4.5.2.6.4 Notification procedures of the originating user (Subscription Option)	19
4.5.2.6.5 Indication of communication diversion to the diverting user (Subscription Option)	20
4.5.2.6.6 Not reachable indication.....	20
4.5.2.7 Actions at the AS of the diverted to User.....	20
4.5.2.8 Void.....	20
4.5.2.9 Actions at the incoming I-CSCF	20
4.5.2.10 Actions at the outgoing IBCF.....	20
4.5.2.11 Actions at the incoming IBCF.....	21
4.5.2.12 Actions at the BGCF	21
4.5.2.13 Actions at the MGCF	21
4.5.2.14 Actions at the destination P-CSCF.....	21
4.5.2.15 Actions at the diverted to UA.....	21
4.5.2.16 Actions at the diverting UA	21
4.6 Interaction with other services.....	21
4.6.1 Communication Hold (HOLD).....	21
4.6.2 Terminating Identification Presentation (TIP).....	21
4.6.3 Terminating Identification Restriction (TIR).....	21

4.6.4	Originating Identification Presentation (OIP)	21
4.6.5	Originating Identification Restriction (OIR)	22
4.6.6	Conference calling (CONF)	22
4.6.7	Communication Diversion Services (CDIV)	22
4.6.8	Malicious Communication Identification (MCID)	22
4.6.9	Anonymous Communication Rejection and Communication Barring (ACR/CB)	22
4.6.10	Explicit Communication Transfer (ECT)	22
4.6.10.1	Actions at the diverting AS	22
4.6.10.1.1	Determine whether ECT is applied to the diverted communication	22
4.6.10.1.2	Handling of transfer requests	22
4.6.10.1.3	Actions when CDIV is invoked again by the transferred communication	23
4.7	Interactions with other networks	23
4.7.1	Interaction with PSTN/ISDN	23
4.7.1.1	Interworking at the O-MGCF	23
4.7.1.1.1	Void	27
4.7.1.1.2	Call forwarding within the ISUP Network appeared	27
4.7.1.2	Interworking at the I-MGCF	30
4.7.2	Interaction with PSTN/ISDN Emulation	36
4.7.3	Interaction with external IP networks	36
4.8	Parameter values (timers)	37
4.8.1	No reply timer	37
4.9	Service Configuration	37
4.9.1	Structure of the XML Document	37
4.9.1.1	Communication Diversion Element	37
4.9.1.2	Communication Diversion Rules	38
4.9.1.3	Communication Diversion Rule Conditions	38
4.9.1.4	Communication Diversion Rule Actions	39
4.9.2	XML Schema	39
Annex A (informative): Signalling Flows		41
A.1	Normal cases	41
A.1.1	Communication Forwarding unconditional	41
A.1.2	Communication Deflection	43
A.1.3	Communication Forwarding on non Reply	45
A.1.4	Communication Forwarding on Busy	48
A.1.5	Communication Forwarding Not Logged-in (CFNL)	50
A.2	Interworking	51
A.2.1	Communication Forwarding unconditional	51
A.2.2	Communication Deflection	52
Annex B (informative): Example of filter criteria		53
Annex C (informative): Coding considerations		54
Annex D (informative): Change history		55
History		57

Foreword

This Technical Specification (TS) was been produced by ETSI Technical Committee Telecommunications and Internet converged Services and Protocols for Advanced Networking (TISPAN) and originally published as ETSI TS 183 004 [19]. It was transferred to the 3rd Generation Partnership Project (3GPP) in January 2008.

The contents of the present document are subject to continuing work within the TSG and may change following formal TSG approval. Should the TSG modify the contents of the present document, it will be re-released by the TSG with an identifying change of release date and an increase in version number as follows:

Version x.y.z

where:

- x the first digit:
 - 1 presented to TSG for information;
 - 2 presented to TSG for approval;
 - 3 or greater indicates TSG approved document under change control.
- y the second digit is incremented for all changes of substance, i.e. technical enhancements, corrections, updates, etc.
- z the third digit is incremented when editorial only changes have been incorporated in the document.

1 Scope

The present document specifies the, stage three, Protocol Description of the Communications Diversion (CDIV) services, based on stage one and two of the ISDN Communication diversion supplementary services. Within the Next Generation Network (NGN) the stage 3 description is specified using the IP-Multimedia Communication Control Protocol based on Session Initiation Protocol (SIP) and Session Description Protocol (SDP).

2 References

The following documents contain provisions which, through reference in this text, constitute provisions of the present document.

- References are either specific (identified by date of publication, edition number, version number, etc.) or non-specific.
- For a specific reference, subsequent revisions do not apply.
- For a non-specific reference, the latest version applies. In the case of a reference to a 3GPP document (including a GSM document), a non-specific reference implicitly refers to the latest version of that document *in the same Release as the present document*.

Referenced documents which are not found to be publicly available in the expected location might be found at <http://docbox.etsi.org/Reference>.

For online referenced documents, information sufficient to identify and locate the source shall be provided. Preferably, the primary source of the referenced document should be cited, in order to ensure traceability. Furthermore, the reference should, as far as possible, remain valid for the expected life of the document. The reference shall include the method of access to the referenced document and the full network address, with the same punctuation and use of upper case and lower case letters.

NOTE: While any hyperlinks included in this clause were valid at the time of publication ETSI cannot guarantee their long term validity.

2.1 Normative references

The following referenced documents are indispensable for the application of the present document. For dated references, only the edition cited applies. For non-specific references, the latest edition of the referenced document (including any amendments) applies.

- [1] ETSI TS 181 002: "Telecommunications and Internet converged Services and Protocols for Advanced Networking (TISPAN); Multimedia Telephony with PSTN/ISDN simulation services".
- [2] ETSI ES 283 003: "Telecommunications and Internet converged Services and Protocols for Advanced Networking (TISPAN); IP Multimedia Call Control Protocol based on Session Initiation Protocol (SIP) and Session Description Protocol (SDP) Stage 3 [3GPP TS 24.229 (Release 7), modified]".
- [3] IETF RFC 4244: "An Extension to the Session Initiation Protocol (SIP) for Request History Information".
- [4] ETSI TS 183 023: "Telecommunications and Internet converged Services and Protocols for Advanced Networking (TISPAN); PSTN/ISDN simulation services; Extensible Markup Language (XML) Configuration Access Protocol (XCAP) over the Ut interface for Manipulating NGN PSTN/ISDN Simulation Services".
- [5] IETF RFC 4566: "SDP: Session Description Protocol".
- [6] IETF RFC 3261: "SIP: Session Initiation Protocol".
- [7] IETF RFC 3966: "The tel URI for Telephone Numbers".

- [8] IETF RFC 3325: "Private Extensions to the Session Initiation Protocol (SIP) for Asserted Identity within Trusted Networks".
- [9] ETSI TS 183 011: "Telecommunications and Internet converged Services and Protocols for Advanced Networking (TISPAN); PSTN/ISDN simulation services: Anonymous Communication Rejection (ACR) and Communication Barring (CB); Protocol specification".
- [10] ETSI EN 300 356-15 (V4.2.1): "Integrated Services Digital Network (ISDN); Signalling System No.7 (SS7); ISDN User Part (ISUP) version 4 for the international interface; Part 15: Diversion supplementary service [ITU-T Recommendation Q.732, clauses 2 to 5 (1999) modified]".
- [11] ETSI TS 183 028: "Telecommunications and Internet converged Services and Protocols for Advanced Networking (TISPAN); Common Basic Communication procedures; Protocol specification".
- [12] ETSI ES 282 001: "Telecommunications and Internet converged Services and Protocols for Advanced Networking (TISPAN); NGN Functional Architecture Release 1".
- [13] ETSI ES 283 027: "Telecommunications and Internet converged Services and Protocols for Advanced Networking (TISPAN); Endorsement of the SIP-ISUP Interworking between the IP Multimedia (IM) Core Network (CN) subsystem and Circuit Switched (CS) networks [3GPP TS 29.163 (Release 7), modified]".
- [14] IETF RFC 4458: "Session Initiation Protocol (SIP) URIs for Applications such as Voicemail and Interactive Voice Response (IVR)".
- [15] ETSI TS 183 029: "Telecommunications and Internet converged Services and Protocols for Advanced Networking (TISPAN); PSTN/ISDN simulation services: Explicit Communication Transfer (ECT); Protocol specification".
- [16] IETF RFC 3515: "The Session Initiation Protocol (SIP) Refer Method".
- [17] IETF RFC 4745: "Common Policy: A Document Format for Expressing Privacy Preferences".

2.2 Informative references

- [18] OMA-TS-XDM-Core-V1_1: "XML Document Management (XDM) Specification", Version 1.1.
- [19] ETSI TS 183 004 V1.5.0: "Telecommunications and Internet converged Services and Protocols for Advanced Networking (TISPAN); PSTN/ISDN simulation services: Communication Diversion (CDIV); Protocol specification".

3 Definitions and abbreviations

3.1 Definitions

For the purposes of the present document, the terms and definitions given in TS 181 002 [1] and the following apply:

escaped character: See RFC 3261 [6].

CDIV Session Identifier URI: URI created and inserted by a diverting AS that is routed through the same AS

NOTE: This is used to solve the service interaction of CDIV and ECT.

transferee: party being transferred to the transfer target

transferor: party initiating the transfer

transfer target: party that the existing communication is transferred to

NOTE: After transfer the transferee and the transfer target are in communication with each other.

3.2 Abbreviations

For the purposes of the present document, the following abbreviations apply:

ACK	ACKnowledgement
ACM	Address Complete Message
ACR	Anonymous Communication Rejection
ANM	ANswer Message
AS	Application Server
CB	Communication Barring
CD	Communication Deflection
CDIV	Communication DIVersion
CFB	Communication Forwarding Busy
CFNL	Communication Forwarding on Not Logged-in
CFNR	Communication Forwarding No Reply
CFNRc	Communication Forwarding on subscriber Not Reachable
CFU	Communication Forwarding Unconditional
CONF	CONFerence
CPC	Calling Party Category
CPG	Call progress message
ECT	Explicit Communication Transfer
HOLD	communication HOLD
IFC	Initial Filter Criteria
IMS	IP Multimedia Subsystem
IP	Internet Protocol
ISDN	Integrated Service Data Network
MCID	Malicious Communication IDentification
NDC	National Destination Code
NGN	Next Generation Network
NOA	Nature Of Address
OCB	Outgoing Communication Barring
OIP	Originating Identification Presentation
OIR	Originating Identification Restriction
PSTN	Public Switched Telephone Network
P-CSCF	Proxy-Call Session Control Function
RTP	Real-Time Transport Protocol
S-CSCF	Server-Call Session Control Function
SDP	Session Description Protocol
SIP	Session Initiation Protocol
SN	Subscriber Number
TIP	Terminating Identification Presentation
TIR	Terminating Identification Restriction
UA	User Agent
UE	User Equipment
URI	Universal Resource Identifier
XML	eXtensible Markup Language

4 Communication Diversion (CDIV)

4.1 Introduction

The Communications Diversion (CDIV) services enables diverting user, to divert the communications addressed to diverting user to an other destination.

4.2 Description

4.2.1 General description

The service description of the following Communication Services CFU, CFB, CFNR, CFNRc and CD are based on the PSTN/ISDN Supplementary Services.

Generally the following requirements should be fulfilled:

- It shall be possible for the user or the network to identify an alternative destination for an IP multimedia session or individual media of an IP multimedia session.
- It shall be possible for redirection to be initiated at various stages of an IP Multimedia session. For example:
 - Prior to the set up of an IP Multimedia session.
 - During the initial request for an IP Multimedia session (CFU).
 - During the establishment of an IP Multimedia session (CD).
- Redirection can be applied for all Multimedia sessions unconditionally or it can be caused by any of a set list of events or conditions. Typical causes could be:
 - Identity of the originating user.
 - Presence of the originating or destination party.
 - If the destination party is already in a session (CFB).
 - If the destination party is unreachable or unavailable in some other way (CFNL, CFNR, CFNRc).
 - If the destination party does not respond (CFNR).
 - After a specified alerting interval (CFNR).
 - User's preference on routing for specific IP Multimedia session based on the capabilities of multiple UEs sharing the same IMS service subscription.
 - The sending party, receiving party or the network on their behalf, may initiate redirection to alternative destinations.

The following services describe applications based on a subset of the above-mentioned requirements to provide user different possibilities to divert a communication.

It should be possible that a user has the option to restrict receiving communications that are forwarded.

Communication Forwarding Unconditional (CFU)

The CFU service enables a served user to have the network redirect to another user communications which are addressed to the served user's address. The CFU service may operate on all communication, or just those associated with specified services. The served user's ability to originate communications is unaffected by the CFU supplementary service. After the CFU service has been activated, communications are forwarded independent of the status of the served user.

As a service provider option, a subscription option can be provided to enable the served user to receive an indication that the CFU service has been activated. This indication shall be provided when the served user originates a communication if the CFU service has been activated for the served user's address and for the service requested for the communication.

The maximum number of diversions permitted for each communication is a service provider option. The service provider shall define the upper limit of diversions. When counting the number of diversions, all types of diversion are included.

Communication Forwarding on Busy user (CFB)

The CFB service enables a served user to have the network redirect to another user communications which are addressed to the served user's address and meet busy. The CFB service may operate on all communications, or just those associated with specified services. The served user's ability to originate communications is unaffected by the CFB supplementary service.

As a service provider option, a subscription option can be provided to enable the served user to receive an indication that the CFB service has been activated. This indication shall be provided when the served user originates a communication if the CFB service has been activated for the served user's address and for the service requested for the communication.

The maximum number of diversions permitted for each communication is a service provider option. The service provider shall define the upper limit of diversions. When counting the number of diversions, all types of diversion are included.

For more information on the procedures for determination of the busy condition see TS 183 028 [11].

Communication Forwarding on No Reply (CFNR)

The CFNR service enables a served user to have the network redirect to another user communications which are addressed to the served user's address, and for which the connection is not established within a defined period of time. The CFNR service may operate on all communications, or just those associated with specified services. The served user's ability to originate communications is unaffected by the CFNR supplementary service.

The CFNR service can only be invoked by the network after the communication has been offered to the served user and an indication that the called user is being informed of the communication has been received.

As a service provider option, a subscription option can be provided to enable the served user to receive an indication that the CFNR service has been activated. This indication shall be provided when the served user originates a communication if the CFNR service has been activated for the served user's address and for the service requested for the communication.

The maximum number of diversions permitted for each communication is a service provider option. The service provider shall define the upper limit of diversions. When counting the number of diversions, all types of diversion are included.

Communication Forwarding on Subscriber Not Reachable (CFNRc)

The CFNRc service enables an user to have the network redirect all incoming communications, when the user is not reachable (e.g. there is no IP connectivity to the user's terminal), to another user. The CFNRc service may operate on all communications, or just those associated with specified services. The user's ability to originate communications is unaffected by the CFNRc simulation service.

As a service provider option, a subscription option can be provided to enable the user to receive an indication that the CFNRc service has been activated. This indication may be provided when the user originates a communication if the CFNRc service has been activated for the user and for the service requested for the communication.

The maximum number of diversions permitted for each communication is a service provider option. The service provider shall define the upper limit of diversions. When counting the number of diversions, all types of diversion are included.

Communication Deflection (CD)

The CD service enables the served user to respond to an incoming communication by requesting redirection of that communication to another user. The CD service can only be invoked before the connection is established by the served user, i.e. in response to the offered communication (before ringing), i.e. CD Immediate, or during the period that the served user is being informed of the communication (during ringing). The served user's ability to originate communications is unaffected by the CD supplementary service.

The maximum number of diversions permitted for each communication is a network provider option. The network provider shall define the upper limit of diversions. When counting the number of diversions, all types of diversion are included.

Communication Forwarding on Not Logged-in (CFNL)

The Communication Forwarding on Not Logged-in (CFNL) service enables a served user to redirect incoming communications which are addressed to the served user's address, to another user (forwarded-to address) in case the served user is not registered (logged-in). The CFNL service may operate on all communications, or just those associated with specified basic services.

As a service provider option, a subscription option can be provided to enable the served user to receive an indication that the CFNL service has been activated. This indication shall be provided when the served user logs out according to procedures described in RFC 3261 [6].

The maximum number of diversions permitted for each communication is a service provider option. The service provider shall define the upper limit of diversions. When counting the number of diversions, all types of diversion are included.

4.3 Operational requirements

4.3.1 Provision/withdrawal

The CDIV services (Communication forwarding unconditional, Communication forwarding busy, Communication forwarding no reply, Communication forwarding not logged-in and Communication deflection) shall be provided after prior arrangement with the service provider.

The CDIV services shall be withdrawn at the served user's request or for administrative reasons.

The five simulation services can be offered separately with subscription options. For each subscription option, only one value can be selected. These subscription options are part of the call diversion profile for the served user. The subscription options are shown in table 4.3.1.1.

Table 4.3.1.1: Subscription options for CDIV services

Subscription options	Value	Applicability
<i>Served user</i> receives notification that a communication has been forwarded.	No (default)	CFU CFB CFNR
	Yes	CFNRc CD
<i>Originating user</i> receives notification that his communication has been diverted (forwarded or deflected).	No	CFU CFB CFNR
	Yes (default)	CFNRc CFNL CD
Served user allows the presentation of forwarded to URI to <i>originating user</i> in diversion notification.	No	CFU CFB CFNR
	Yes (default)	CFNRc CFNL CD
Served user receives reminder notification on outgoing communication that forwarding is currently activated.	No (default)	CFU CFB CFNR
	Yes	CFNRc CFNL

Served user allows the presentation of his/her URI to <i>diverted-to</i> user.	No	CFU CFB CFNR CFNR _c CFNL CD
	Yes (default)	

The following network provider options are available for the supplementary services.

Table 4.3.1.2: Network provider options for CDIV services

Network provider option	Value	Applicability
Served user communication retention on invocation of diversion (forwarding or deflection).	Retain call to the served user until alerting begins at the diverted-to user	CFNR
	Clear call to the served user on invocation of call diversion	
Served user communication retention when forwarding is rejected at forwarded-to user.	Continue to alert the forwarding user (see note 1)	CFNR
	No action at the forwarding user (see note 2)	
Total number of all diversions for each call.	Maximum number of diverted connections (upper limit is based on operator policy)	CFU CFB CFNR CFNR _c CFNL CD
Call forwarding on no reply timer.	Timer duration shall be a service provider option	CFNR
NOTE 1: This applies to the retention of the communication at invocation of call forwarding.		
NOTE 2: This applies to the clearing communication option on invocation of call forwarding.		

For user configuration of the CDIV the Ut interface described in ES 282 001 [12] could be used. More detail is described in clause 4.9.

Other possibilities for provisioning could be used too like web based provisioning or pre-provisioning by the operator.

4.3.2 Requirements on the originating network side

No specific requirements are needed in the network.

4.3.3 Requirements in the network

No specific requirements are needed in the network.

4.4 Coding requirements

ES 283 003 [2] defines the messages and parameters for this simulation service. The following messages and parameters are used to support the Communication diversion service due to fulfil the requirements.

4.4.1 SIP-Messages

The following SIP messages are used due to the coding rules in ES 283 003 [2].

Table 4.4.1.1: SIP Header information for redirection

SIP Message	Ref.	SIP Header
INVITE	[3]	History-Info-Header
	[8]	Privacy header
	[14]	cause-parameter in the uri-parameter
180 (Ringing)	[3]	History-Info-Header
	[8]	Privacy header
	[14]	cause-parameter in the uri-parameter
181 (Call Is Being Forwarded)	[3]	History-Info-Header
	[8]	Privacy header
	[14]	cause-parameter in the uri-parameter
200 (OK) response	[3]	History-Info-Header
	[8]	Privacy header
	[14]	cause-parameter in the uri-parameter
302 (Moved Temporarily) (see note)	[2]	Contact header
	[14]	cause-parameter in the uri-parameter

NOTE: The 302 (Moved Temporarily) regarding the present document will be only used for the CD services.

For more information on the cause-parameter is given in annex C.

An AS that implements the CDIV service shall support the REFER method RFC 3515 [16], to be able to handle the interaction with ECT TS 183 029 [15].

4.4.2 Parameters

The Privacy header is described in ES 283 003 [2]. The present document refers for the History header to RFC 4244 [3], for the Privacy header and P.-Asserted-Identity to RFC 3325 [8] and for the Cause-Code to RFC 4458 [14].

4.5 Signalling requirements

4.5.0 General

For user configuration of the CFU, CFB, CFNR, CFNL and CD services the Ut interface should be used.

See clause 4.9 for further information about the structure of the XML document.

NOTE: Other possibilities for user configuration, as web-based provisioning or pre-provisioning by the operator are outside the scope of the present document.

4.5.1 Activation/deactivation

The services CFU, CFB, CFNR, CFNL and CD are individually activated at provisioning or at the subscribers request by using e.g. the Ut interface.

The services CFU, CFB, CFNR, CFNL and CD are individually deactivated at withdrawal or at the subscribers request by using e.g. the Ut interface.

4.5.1A Registration/erasure

For registration of diversion information for the services CFU, CFB, CFNR, CFNL and CD, the Ut interface should be used. The diverted-to party address of the services CFU, CFB, CFNR, CFNL and CD can individually be registered at the subscribers request by using the Ut interface.

For erasure of diversion information for the services CFU, CFB, CFNR, CFNL and CD, the Ut interface should be used. The diverted-to party address of the services CFU, CFB, CFNR, CFNL and CD can individually be erased at the subscribers request by using the Ut interface.

4.5.1B Interrogation

For interrogation of the services CFU, CFB, CFNR, CFNL and CD, the Ut interface should be used.

4.5.2 Invocation and operation

4.5.2.1 Actions at the originating UA

When communication diversion has occurred on the served user side and the network option "*Originating*" user receives notification that his communication has been diverted (forwarded or deflected) is set to true, the originating UA may receive a 181 (Call is being forwarded) response according to the procedures described in ES 283 003 [2].

The Information given by the History header could be displayed by the UA if it is a UE.

4.5.2.2 Actions at the originating P-CSCF

Procedures according to ES 283 003 [2] shall apply.

4.5.2.3 Actions at the originating S-CSCF

Procedures according to ES 283 003 [2] shall apply.

4.5.2.4 Actions at the diverting S-CSCF

Procedures according to ES 283 003 [2] shall apply.

NOTE: An example of the use of IFC is shown in annex B.

4.5.2.5 Actions at the diverted to S-CSCF

Procedures according to ES 283 003 [2] shall apply.

4.5.2.6 Actions at the AS of the diverting User

4.5.2.6.1 Checking of the diversion limits

When receiving an INVITE request and the AS determines that it must divert a communication:

- 1) the AS shall check if diverting the communication exceeds the number of diversions allowed within the network. The number of diversions shall be calculated by the entries including a Cause parameter given by the History-Info header field, if the History-Info header field is present. If the number of diversions exceeds the given limit then the communication shall be released; and
- 2) if the Communication has already undergone one or more diversion(s), the entries in the Index entries parameter shall be examined to see if another diversion is allowed due to network provider allowed limit of diversions.

If the number of diversions exceeds the given limit then the following response sent to the originating user shall apply:

- a) communication diversion forwarding busy a 486 (Busy here) shall be sent;
- b) communication forwarding no reply, 480 (Temporarily unavailable) shall be sent;
- c) communication forwarding unconditional 480 (Temporarily unavailable) shall be sent;
- d) communication deflection, 480 (Temporarily unavailable) shall be sent.

NOTE: It is based on operator policy that the communication can be delivered to the latest diverting party when it is known.

In all cases a Warning header field indicating that the communication is released due to the extension of diversion hops (e.g. "Too many diversions appeared") shall be sent.

4.5.2.6.2 Setting of the diversion parameters by the AS

4.5.2.6.2.1 Overview

After checking the limit of diversions the following settings of the INVITE request shall be performed.

4.5.2.6.2.2 First diversion; no History header received

When this is the first diversion the communication has undergone, the following information is to be set in the retargeted request:

- the diverting parties address;
- the diverted-to party address;
- diversion information.

The following header fields shall be included or modified with the specified values:

- a) **The Request URI** - shall be set to the public user identity where the communication is to be diverted.
- b) **The History-Info Header** field - Two hist-info entries that shall be generated.

- b.1) The first entry includes the hi-targeted-to-uri of the served user.

The privacy header "history" shall be escaped within the hi-targeted-to-uri, if:

- the served user wishes privacy (e.g. the served user is subscribed to the OIR Service); or
- the served user has the subscription option "Served user allows the presentation of his/her URI to diverted-to user" set to false.

The Index is set to index = 1 according to the rules specified in RFC 4244 [3].

- b.2) The second entry includes the hi-targeted-to-uri of the address where the communication is diverted to. The index is set to index = 1.1, The cause-param parameter (redirecting reason and redirecting indicator) included in the history-info header field shall be set according to the diversion conditions.

The mapping between the diversion conditions and the coding of the Reason parameter is as follows:

- Communication forwarding busy, the cause value "486" as defined by RFC 4458 [14] shall be used.
- Communication forwarding no reply, the cause value "408" as defined by RFC 4458 [14] shall be used.
- Communication forwarding unconditional, the cause value "302" as defined by RFC 4458 [14] shall be used.

- Communication deflection (Immediate response), the cause value "480" as defined by RFC 4458 [14] shall be used.
- Communication Forwarding Not Logged in, the cause value "404" as defined by RFC 4458 [14] shall be used.
- Communication Forwarding on Subscriber Not reachable, the cause value "503" as defined by RFC 4458 [14] shall be used.

according to the rules specified in RFC 4244 [3].

c) **The To header** field - If the served user does not want to reveal its identity to the diverted-to party, then the To header shall be changed the URI where the communication is diverted to. The served user does not want to reveal its identity when one of the following conditions holds true:

- if the served user wishes privacy (e.g. the served user is subscribed to the OIR Service); or
- if the served user has the subscription option "Served user allows the presentation of his/her URI to diverted-to user" set to false.

In all other cases the To header shall not be changed.

4.5.2.6.2.3 Subsequent diversion; a History header received

When this is the second or greater diversion the communication has undergone, a new history-info entry shall be added to the History-Info header field according to the rules defined in RFC 4244 [3]. The following information has to be added to the retargeted request:

- the diverted-to party address;
- diversion information.

The following header fields shall be included or modified with the specified values:

a) **Request URI** - shall be set to the public user identity where the communication is to be diverted.

b) **History-Info Header** The history entry representing the served user may be modified. One history entry is added.

b.1) The history entry representing the served user privacy header "history" shall be escaped within the hi-targeted-to-uri, if:

- if the served user wishes privacy (e.g. the served user is subscribed to the OIR Service); or
- if the served user has the subscription option "Served user allows the presentation of his/her URI to diverted-to user" set to false.

If the history is already escaped with the correct privacy value no modification is needed.

In all other cases the history entry representing the served user shall not be changed.

b.2) A history entry shall be added where the hi-targeted-to-uri shall be set to the public user identity where the communication is diverted to. Cause-param parameter (redirecting reason) included in the History-Info header field shall be set according to the diversion conditions. The mapping between the diversion conditions and the coding of the cause-param parameter is as follows:

- Communication forwarding busy, the Cause value "486" as defined by RFC 4458 [14] shall be used.
- Communication forwarding no reply, the Cause value "408" as defined by RFC 4458 [14] shall be used.
- Communication forwarding unconditional, the Cause value "302" as defined by RFC 4458 [14] shall be used.

- Communication deflection (Immediate response), the Cause value "480" as defined by RFC 4458 [14] shall be used.
- Communication Forwarding Not Logged in, the Cause value "404" as defined by RFC 4458 [14] shall be used.
- Communication Forwarding on Subscriber Not reachable, the cause value "503" as defined by RFC 4458 [14] shall be used.

The Index shall be incremented according to the Basic Forwarding rules specified in clause 4.3.3.1.3 "Indexing in the History-Info Header" of RFC 4244 [3] the new level index "1" shall be used.

c) **To header-** If the served user does not want to reveal its identity to the diverted-to party, then the To header shall be changed the URI where the communication is diverted to. The served user does not want to reveal its identity when one of the following conditions holds true:

- if the served user wishes privacy (e.g. the served user is subscribed to the OIR Service); or
- if the served user has the subscription option "Served user allows the presentation of his/her URI to diverted-to user" set to false.

In all other cases the To header shall not be changed.

4.5.2.6.2.4 Overview of the operation

Figure 4.5.2.6.2.4.1 shows the example of a communication path for multiple diversions.

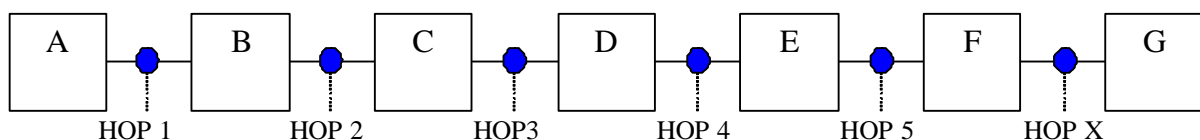


Figure 4.5.2.6.2.4.1: Originally A calls B Information transferred in the INVITE request

Table 4.5.2.6.2.4.1 shows which parameters and header fields that are modified in a diversion AS.

Table 4.5.2.6.2.4.1: Parameter information for multiple redirection

	HOP 1	HOP 2	HOP 3	HOP 4	HOP 5	HOP 6
Number Information	A	A	A	A	A	A
P-Asserted-Identity	B	C	D	E	F	G
Request URI		B,C	B,C,D	B,C,D,E	B,C,D,E,F	B,C,D,E,F,G
hi-targeted-to-uri						
History Index added		(1) & (2)	(3)	(4)	(5)	(6)
hi-targeted-to-uri		B,C	D(3)	E (4)	F (5)	G(6)
Reason		V(1); V (2) W(1); W(2)	V (3) W (3)	V (4) W (4)	V(5) W(5)	V(6) W(6)
Privacy		index1/Index2	index3	index4	index5	index6
Hi-index						
V = Value regarding the rules the Reason header field (e.g. SIP cause or redirection cause).						
W = privacy value (header) or (none) or no entry.						
NOTE: The Hi-index field shall be increased by 1 due to the rules described in [4].						

4.5.2.6.3 Diversion procedures at the diverting AS

The diverting AS shall continue the communication depending on the service that is causing the diversion:

1) **Communication Forwarding Unconditional (CFU) or Communication Forwarding Busy (CFB) network determined user busy or Communication Forwarding on Not Logged in (CFNL)**

The AS shall continue in the following manner:

- If the notification procedure of the originating user is supported then the originating user shall be notified as described in clause 4.5.2.6.4.
- An INVITE request containing the diverted-to URI shall be sent to the (outgoing) S-CSCF. The INVITE request shall include the parameter information as shown in table 4.5.2.6.2.4.1 and described in clause 4.5.2.6.2.

2) **Communication Forwarding No Reply (CFNR)**

After receiving the first 180 (Ringing) response the no reply timer (definition see clause 4.8) shall be started. If forking is provided by the S-CSCF a further received 180 (Ringing) response does not refresh the timer.

With receiving a 200 (OK) response the no reply timer shall be terminated and the call follows the Basic call procedure as described within ES 283 003 [2]. Other open early dialogs shall be terminated as described within ES 283 003 [2], clause 9.2.3.

When the no reply timer defined in clause 4.8 expires:

- The dialog(s) to the diverting user shall be terminated e.g. by sending a CANCEL request or BYE request according to the rules and procedures in RFC 3261 [6].
- If the notification procedure of the originating user is supported then the originating user shall be notified as described in clause 4.5.2.6.4.
- An INVITE request is sent to the (outgoing) S-CSCF towards the diverted-to user. The INVITE request includes the parameter information as shown in table 4.5.2.6.2.4.1.

3) **Communication Forwarding No Reply (CFNR) (ringing continues)**

After receiving the first 180 (Ringing) response the no reply timer (definition see clause 4.8) shall be started. If forking is provided by the S-CSCF a further received 180 (Ringing) response does not refresh the timer.

When the diverted-to-user has accepted the communication request (with 200 OK) and if the notification procedures of the originating user is supported then the originating user shall be notified as described in clause 4.5.2.6.4.

An INVITE is sent to the outgoing S-CSCF towards the diverted to user. The INVITE address message includes the parameter information as shown in table 4.5.2.6.2.4.1.

If diverting user accepts the communication after sending the INVITE request the communication path towards the diverted to user shall be released according to the rules and procedures in RFC 3261 [6].

4) **Communication Forwarding user determined Busy (CFB)**

The Communication Forwarding User Determined Busy is offered to the served user when the AS:

- The received 486 Busy shall be acknowledged with a ACK.
- If the notification procedures of the originating user are supported then the originating user shall be notified as described in clause 4.5.2.6.4.
- An INVITE message containing the diverted-to URI is sent to the outgoing S-CSCF. The INVITE address message includes the parameter information as shown in table 4.5.2.6.2.4.1.

5) **Communication Deflection (CD) immediate response**

The Communication Deflection immediate response is offered to the served user.

A 302 (Moved Temporarily) response is received.

If the notification procedures of the originating user are supported then the originating user shall be notified as described in clause 4.5.2.6.4.

An INVITE message containing the diverted-to URI is sent to the outgoing S-CSCF. The INVITE address message includes the parameter information as shown in table 4.5.2.6.2.4.1.

6) Communication Forwarding on subscriber Not Reachable (CFNRc)

When the AS receives a not reachable indication (see clause 4.5.2.6.6) on the INVITE forwarded to the served user, then the following criteria shall apply before the Communication Forwarding on Subscriber Not Reachable procedure is executed:

- the served user has an active forwarding rule containing not-reachable condition (see clause 4.9); and
- the served user is registered.

The following steps shall be followed to perform Communication Forwarding on Subscriber Not Reachable:

- 1) If the notification procedures of the originating user are supported then the originating user shall be notified as described in clause 4.5.2.6.4.
- 2) An INVITE message containing the diverted-to URI is sent to the outgoing S-CSCF. The INVITE address message includes the parameter information as shown in table 4.5.2.6.2.4.1.

4.5.2.6.4 Notification procedures of the originating user (Subscription Option)

When Communication Diversion occurs and if served user has the subscription option "*Originating* user receives notification that his communication has been diverted (forwarded or deflected)." set to true then a 181 (Call Is Being Forwarded) response shall be sent towards the originating user.

The following header fields shall be included or modified with the specified values:

- a) The **P-Asserted-Identity** includes the URI of the diverting user.
- b) The **Privacy** header with the value "id" shall be included, if:
 - the served user wishes privacy (e.g. the served user is subscribed to the TIR Service); or
 - the served user has the subscription option "Served user allows the presentation of his/her URI to *originating* user in diversion notification." set to false.
- c) The following entries shall be added to the **History-Info** header field:
 - c.1) If this is the first diversion then the first entry shall be populated with the hi-targeted-to-uri of the served user. The Index is set to index = 1 according to the rules specified in RFC 4244 [3].
 - c.2) On the history entry that represents the served user, the privacy header with value "history" shall be escaped within the hi-targeted-to-uri, if:
 - the served user wishes privacy (e.g. the served user is subscribed to the TIR Service); or
 - the served user has the subscription option "Served user allows the presentation of his/her URI to *originating* user in diversion notification." set to false;
 - if the history is already escaped with the correct privacy value no modification is needed;
 - in all other cases the history entry representing the served user shall not be changed.
 - c.3) A history entry shall be added according to the rules of clause 4.5.6.2.3 item b.2. For this entry the privacy header with value "history" shall be escaped within the hi-targeted-to-uri.

Additional the AS may initiate an announcement to be included towards the calling user in order to inform about the about the diversion. Announcements may be played according to procedures as are described in TS 183 028 [11].

4.5.2.6.5 Indication of communication diversion to the diverting user (Subscription Option)

If the subscription option "Served user receives notification that a communication has been forwarded" has been set to "yes", one or a combination of the following procedures are possible:

- 1) When the diverting user is registering the AS send a MESSAGE request including the information where the call is diverted too. As an Option the MESSAGE request that is be sent due to a timer value that can be provided by the user.
- 2) A diverting user will be informed periodically with a MESSAGE request the information where the call is diverted too.

NOTE 1: A diverting user could be informed via a Voicemail or Message mail system in the communication states described above.

If the subscription option "Served user receives reminder notification on outgoing communication that CDIV is currently activated" has been set to "yes", then a diverting user will be informed with a MESSAGE request after the diverting user has initiated a new outgoing communication. the information where the call is diverted too.

NOTE 2: A diverting user could be informed via a Voicemail or Message mail system in the communication states described above.

The description of information text contained in the MESSAGE request is out of scope of the present document.

4.5.2.6.6 Not reachable indication

It is recommended that the AS interprets the reception of one of the following response events as not reachable indication:

- 408 Request timeout response;
- 503 Service unavailable;
- 500 Server internal error;

and no provisional response, different than 100 Trying, has been received on the same dialog.

NOTE: There may be other means to discover this condition. These other means are out of the scope of the present document.

4.5.2.7 Actions at the AS of the diverted to User

The AS shall store the History Header of an incoming Request.

If a 180, 181 or 200 response does not contain a History header field, the AS shall include the stored History header field and if diverted to user is subscribed to the TIR service the Privacy header field of all responses the priv-value of the last entry in the History header field shall be set to "history".

NOTE: A response including no History header Field is coming from an untrusted entity or the History header field is not included due to the privacy status within the SIP request.

4.5.2.8 Void

4.5.2.9 Actions at the incoming I-CSCF

Procedures according to ES 283 003 [2] shall apply.

4.5.2.10 Actions at the outgoing IBCF

Procedures according to ES 283 003 [2] shall apply.

4.5.2.11 Actions at the incoming IBCF

Procedures according to ES 283 003 [2] shall apply.

4.5.2.12 Actions at the BGCF

Basic call procedures according to ES 283 003 [2] shall apply.

The interworking with other NGN is described in clause 4.7.3.

4.5.2.13 Actions at the MGCF

Procedures according to ES 283 003 [2] shall apply.

The interworking is described in clause 4.7.1.

4.5.2.14 Actions at the destination P-CSCF

Procedures according to ES 283 003 [2] shall apply.

4.5.2.15 Actions at the diverted to UA

Procedures according to ES 283 003 [2] shall apply.

4.5.2.16 Actions at the diverting UA

Procedures according to ES 283 003 [2] shall apply.

4.6 Interaction with other services

4.6.1 Communication Hold (HOLD)

No impact, i.e. neither service shall affect the operation of the other service.

4.6.2 Terminating Identification Presentation (TIP)

A P-Asserted-Identity and History header field received in the diverting AS is passed unmodified to the originating entity. The originating S-CSCF is responsible of the interpretation of the privacy header field.

4.6.3 Terminating Identification Restriction (TIR)

A P-Asserted-Identity and History header field received in the diverting AS is passed unmodified to the originating entity. The originating CSCF is responsible of the interpretation of the privacy header field.

If the served (diverting) user selects the option that the originating user is notified, but without the diverted-to number, then the AS shall not send the connected user's identity when the communication is answered, unless the originating user has an override capability.

4.6.4 Originating Identification Presentation (OIP)

When a communication has been diverted and the diverted-to user has been provided with the originating identification presentation simulation service, the S-CSCF of the diverted-to user shall send the number of the original originating user, if this originating user has not subscribed to or invoked the originating identification restriction simulation service.

4.6.5 Originating Identification Restriction (OIR)

When the originating identification restriction simulation service has been invoked, the originating user's address shall not be presented to the diverted-to user unless the diverted-to user has an override capability.

4.6.6 Conference calling (CONF)

No impact, i.e. neither service shall affect the operation of the other service.

4.6.7 Communication Diversion Services (CDIV)

No impact, i.e. neither service shall affect the operation of the other service.

For the indication of communication diversion to the diverting user service, the provision and activation of at least one redirection service is a pre-requirement to provision and activate the indication of communication diversion to the diverting user service.

4.6.8 Malicious Communication Identification (MCID)

No impact, i.e. neither service shall affect the operation of the other service.

4.6.9 Anonymous Communication Rejection and Communication Barring (ACR/CB)

If the user where the communication is forwarded to has subscribed to a call barring service "inhibition of incoming forwarded communication" the procedures described in TS 183 011 [9] shall take precedence.

If the user is subscribed to an Outgoing Communication Barring (OCB) service that includes the forwarded communication the OCB shall take precedence. The CDIV service has to check if the forwarded to number is restricted and release the communication in such a case.

4.6.10 Explicit Communication Transfer (ECT)

4.6.10.1 Actions at the diverting AS

4.6.10.1.1 Determine whether ECT is applied to the diverted communication

See TS 183 029 [15], clause 4.5.2.4.1 on the criteria that determine that a REFER request is to be treated as a request for transfer of an existing communication.

4.6.10.1.2 Handling of transfer requests

When a REFER request is received in the context of a call transfer scenario (see clause 4.6.10.1.1), it shall perform the following steps:

- 1) Create a new CDIV Session Identifier URI addressed to this AS. The URI shall be created in such a way that a new dialog set up towards this URI can be easily correlated with the current REFER dialog.
- 2) The AS stores the value of the Refer-To header field (transfer target) from the REFER request and links it to the CDIV Session Identifier URI.
- 3) The AS Replaces the Refer-To header field with the CDIV Session Identifier URI. (This ensures that the diverting AS remains in the loop when the transferee sets up the communication with the transfer target.).
- 4) The AS forwards the REFER request to the transferee using basic communication procedures ES 283 003 [2].

4.6.10.1.3 Actions when CDIV is invoked again by the transferred communication

When an INVITE is received targeted at the CDIV Session Identifier URI created earlier when transfer of the diverted ongoing communication was requested, the AS shall perform the following actions:

- 1) The AS replaces the request URI with the stored Refer-To header field value linked to the specific CDIV Session Identifier URI.

NOTE: If needed the AS may generate charging events to charge for the extra leg.

- 2) The AS sets the diversion parameters (History-Info and To header fields) as specified in clause 4.5.2.6.2, in step 4.5.2.6.2.2 b.2) or 4.5.2.6.2.3 b.2) the cause-param value 302 shall be used.
- 3) The AS forwards the INVITE request towards the transfer target using basic communication procedures ES 283 003 [2].

4.7 Interactions with other networks

4.7.1 Interaction with PSTN/ISDN

In case of interaction with networks which do not provide any notification of the communication diversion or communication redirection information (e.g. redirection counter) in the signalling system, the communication continues according to the basic call procedures.

4.7.1.1 Interworking at the O-MGCF

For the mapping of IAM to the INVITE Message no additional procedures beyond the basic call and interworking procedures are needed.

With regard to the backward messages the following mapping is valid.

Table 4.7.1.1.1: Mapping of SIP messages to ISUP messages

←Message sent to ISUP	←Message Received from SIP	
ACM indicating call forwarding	181 (Call Is Being Forwarded)	See table 4.7.1.1.6
CPG indicating call forwarding (see note)	181 (Call Is Being Forwarded)	See table 4.7.1.1.7
ACM indicating ringing	180 (Ringing)	See table 4.7.1.1.8
CPG indicating Alerting (see note)	180 (Ringing)	See table 4.7.1.1.9
ANM	200 (OK)	See table 4.7.1.1.10
CON	200 (OK) (Neither a 181 (Call Is Being Forwarded) nor a 180 (Ringing) was sent)	See table 4.7.1.1.10
NOTE: A CPG will be sent if an ACM was already sent.		

NOTE: The mapping of the basic Messages is shown in ES 283 027 [13].

Table 4.7.1.1.2: Mapping of History-Info Header to ISUP Redirection number

Source SIP header field and component	Source Component value	Redirection number	Derived value of parameter field
Hi-target-to-uri of the last History-Info entry containing a cause-param with cause value as listed in the cause-param row in table 4.7.1.1.4.	CC	Nature of address indicator	If CC is equal to the country code of the country where O-MGCF is located AND the next ISUP node is located in the same country, then set to "national (significant) number" else set to "international number".
appropriate global number portion of the URI, assumed to be in form "+" CC + NDC + SN.	CC, NDC, SN	Address signals	If NOA is "national (significant) number" then set to NDC + SN. If NOA is "international number" then set to CC + NDC + SN.

Table 4.7.1.1.3: Mapping of History-Info Header to ISUP Redirection number restriction indicator

Source SIP header field and component	Source Component value	Redirection number restriction indicator	Derived value of parameter field
Privacy, priv-value component	"history"	Redirection number restriction indicator	Presentation restricted
	Privacy header field absent or "none"		Presentation allowed or absent

Table 4.7.1.1.4: Mapping of History-Index to ISUP Call Diversion Information

Source SIP header field and component	Source Component value	Call Diversion Information	Derived value of parameter field
Privacy, priv-value component	"history"	Notification subscription options	If the priv-value "history" is set for the History-Info Header or to the hist-info element entries concerning the redirecting and diverted to uri then <i>presentation not allowed</i> shall be set. If the priv-value "history" is set only to the hist-info element concerning the redirecting uri then <i>presentation allowed without redirection number</i> shall be set.
	Privacy header field absent or "none"		<i>Presentation allowed with redirection number.</i>
Cause Value in History Index; cause-param = "cause" EQUAL Status-Code	Cause value	Call diversion information	Redirecting Reason
	404		Unknown
	302		Unconditional

	486		User busy
	408		No reply
	480		Deflection immediate
	503		Mobile subscriber not reachable
	487		Deflection during alerting

Table 4.7.1.1.5: Mapping of History Index to ISUP Event Information

Source SIP header field and component	Source Component value	Event Information	Derived value of parameter field
		Event indication	Shall be set to ALERTING if mapped from a 180 (Ringing)
			Shall be set to PROGRESS if mapped from a 181 (Call Is Being Forwarded)
			Call forwarded on busy (national use)
Cause Value in History Index; cause-param = "cause" EQUAL Status-Code	486		Call forwarded on no reply (national use)
	408		Call forwarded unconditional (national use)
	302		

Table 4.7.1.1.6: Mapping of 181 (Call Is Being Forwarded) → ACM

Source SIP header field and component	Source Component value	ISUP Parameter	Derived value of parameter field
181 (Call Is Being Forwarded)		ACM	
		Generic notification indicators	Call is diverting
History Header	See table 4.7.1.1.2	Redirection number	See table 4.7.1.1.2
Priv-value	See table 4.7.1.1.3	Redirection number restriction indicator	See table 4.7.1.1.3
Priv-value	See table 4.7.1.1.4	Call diversion information <i>Notification subscription options</i>	See table 4.7.1.1.4
History Index	Reason Header: Reason = See table 4.7.1.1.4	Call diversion information	Redirecting Reason See table 4.7.1.1.4

Table 4.7.1.1.7: Mapping of 181 (Call Is Being Forwarded) → CPG if ACM was already sent

Source SIP header field and component	Source Component value	ISUP Parameter	Derived value of parameter field
		Generic notification indicators	Call is diverting

Cause Value in History Index; cause-param = "cause" EQUAL Status-Code	486	Event indicator	CFB (national use)
	408 (see note)		CFNR (national use)
	302		CFU (national use)
			PROGRESS
History Header	See table 4.7.1.1.2	Redirection number	See table 4.7.1.1.2
Priv-value	See table 4.7.1.1.3	Redirection number restriction indicator	See table 4.7.1.1.3
Priv-value	See table 4.7.1.1.4	Call diversion information <i>Notification subscription options</i>	See table 4.7.1.1.4
Cause Value in History Index; cause-param = "cause" EQUAL Status-Code	See table 4.7.1.1.4	Call diversion information <i>Redirecting Reason</i>	See table 4.7.1.1.4
NOTE: This appears in the cases of CFNR.			

Table 4.7.1.1.8: Mapping of 180 (Ringing) → ACM if no 181 (Call Is Being Forwarded) was received before

Source SIP header field and component	Source Component value	ISUP Parameter	Derived value of parameter field
History Header	If Index indicates that there is a call forwarding.	Generic notification indicators	Call is diverting
History Header	See table 4.7.1.1.2	Redirection number	See table 4.7.1.1.2
Priv-value	See table 4.7.1.1.3	Redirection number restriction indicator	See table 4.7.1.1.3
Priv-value	See table 4.7.1.1.4	Call diversion information <i>Notification subscription options</i>	See table 4.7.1.1.4
Cause Value in History Index; cause-param = "cause" EQUAL Status-Code	See table 4.7.1.1.4	Call diversion information <i>Redirecting Reason</i>	See table 4.7.1.1.4

The mapping described within table 4.7.1.1.1 can only appear if the communication has already undergone a Call Forwarding in the ISDN/PSTN and the 180 is the first provisional response sent in backward direction.

The IWU can indicate the call diversion in the mapping of 180 (Ringing) to CPG in fact if the response before was a 181.

Table 4.7.1.1.9: Mapping of 180 (Ringing) → CPG if a 181 (Call Is Being Forwarded) was received before

180 (Ringing)		CPG	

		Generic notification indicators	Call is diverting
History-header		Event indicator	ALERTING
History Header	See table 4.7.1.1.2	Redirection number	See table 4.7.1.1.2
Priv-value	See table 4.7.1.1.3	Redirection number restriction indicator	See table 4.7.1.1.3
Priv-value	See table 4.7.1.1.4	Call diversion information <i>Notification subscription options</i>	See table 4.7.1.1.4
Cause Value in History Index; cause-param = "cause" EQUAL Status-Code	See table 4.7.1.1.4	Call diversion information <i>Redirecting Reason</i>	See table 4.7.1.1.4

The mapping in table 4.7.1.1.1 appears when already a 181 was mapped to a 180. Therefore the statemachine of the MGCF knows that a CDIV is in Progress.

Table 4.7.1.1.10: Mapping of 200 (OK) response

Source SIP header field and component	Source Component value	ISUP Parameter	Derived value of parameter field
200 (OK) response		ANM/CON	
History Header	See table 4.7.1.1.2	Redirection number	See table 4.7.1.1.2
Priv-value	See table 4.7.1.1.3	Redirection number restriction indicator	See table 4.7.1.1.3

4.7.1.1.1 Void

4.7.1.1.2 Call forwarding within the ISUP Network appeared

The following Scenario shows if a Call Forwarding appears in the ISUP/PSTN Network and the redirected Number is within the SIP Network. Table 4.7.1.1.2.1 should be seen as example.

For the mapping of 180 (Ringing) and 200 (OK) response OK to the regarding ISUP messages and parameters no additional procedures beyond the basic call procedures are needed.

To interwork the redirection number at the O-MGCF it is needed to create placeholder History entries. Such a History entry has to provide a hi-target-to-uri with a placeholder value "unknown@unknown.invalid" a cause-param and an index as described within table 4.7.1.1.2.1.

Table 4.7.1.1.2.1: Mapping of IAM with SIP INVITE

ISUP Parameter or IE	Derived value of parameter field	SIP component	Value
IAM		INVITE	
Redirecting number		History Header	hi-targeted-to-uri of the 2 nd last index entry IF more than 2 Index entries are included ELSE no mapping

ISUP Parameter or IE	Derived value of parameter field	SIP component	Value
Nature of address indicator:	"national (significant) number"	hi-targeted-to-uri	Add CC (of the country where the MGCF is located) to Generic Number Address Signals then map to user portion of URI scheme used. Addr-spec "+" CC NDC SN mapped to user portion of URI scheme used
	"international number"		Map complete Redirection number Address Signals to user portion of URI scheme used
Address Signals	If NOA is "national (significant) number" then the format of the Address Signals is: NDC + SN If NOA is "international number" then the format of the Address Signals is: CC + NDC + SN	hi-targeted-to-uri	"+" CC NDC SN mapped to userinfo portion of URI scheme used
Redirecting number	APRI	Privacy Header	Priv-value
	"presentation restricted"		"History"-Index
	"presentation allowed"		Privacy header field absent or "none"
Redirection Information	Redirection indicator	Privacy Header	Priv-value
	Call diverted		"none"
	Call diverted, all redirection info presentation restricted		"History"-Index
Redirection Information	Redirection counter	History Index	Number of diversions are sown due to the number of Index Entries Index for original called Party Number = 1 Address Signals (CdPN) Number = 1.1
	1		Index for original called Party Number = 1 Index for Redirecting
	2		

ISUP Parameter or IE	Derived value of parameter field	SIP component	Value
			number with Index = 1.1 Address Signals (CdPN) Number = 1.1.1
	N		Index for original called Party Number = 1 Placeholder History entry with Index = 1.1 ... Fill up ... Index for Redirecting Number with = 1+[(N-1)*".1"] Index for Address Signals (CdPN) = 1+N* ".1" (e.g. N=3 → 1.1.1.1)
Redirection Information		Cause Value in History Index; cause-param = "cause" EQUAL Status-Code	Cause value
	unknown		404
	unconditional		302
	User Busy	For a placeholder History entry the value "404" shall be taken.	486
	No reply		408
	Deflection during alerting		487
	Deflection immediate response		480
	Mobile subscriber not reachable		503
Called Party Number	See Redirecting number	History Header see hi-targeted-to-uri	URI of the last Index entry of History Header
Original Called Party Number	See Redirecting number	History Header see hi-targeted-to-uri	URI of first Index entry of History Header
Original Called Party Number	APRI	Privacy Header	Priv-value
	"presentation restricted"		"history"
	"presentation allowed"		"none"

4.7.1.2 Interworking at the I-MGCF

Table 4.7.1.2.1: Mapping of SIP to ISUP messages

→Message received from SIP	→Message send to BICC/ISUP
INVITE	IAM

Table 4.7.1.2.2: Mapping of History-Info Header to ISUP Redirecting number

Source SIP header field and component	Source Component value	Redirecting number	Derived value of parameter field
2 nd latest History-Info Header Entry containing a cause-param with cause value as listed in the cause-param row in table 4.7.1.2.3		Redirecting number	
Hi-target-to-uri appropriate global number portion of the URI, assumed to be in form "+" CC + NDC + SN	CC	Nature of address indicator	If CC is equal to the country code of the country where I-MGCF is located AND the next ISUP node is located in the same country, then set to "national (significant) number" else set to "international number"
	CC, NDC, SN	Address signals	If NOA is "national (significant) number" then set to NDC + SN. If NOA is "international number" then set to CC + NDC + SN
Privacy Header , priv-value component In History-Info header field of the 2 nd latest Entry containing a cause-param with cause value as listed in the cause-param row in table 4.7.1.2.3	"history"	APRI	"presentation restricted"
	Privacy header field absent or "none"		"presentation allowed"
NOTE: It is possible that an entry of the In History itself is marked as restricted or the whole History header.			

Table 4.7.1.2.3: Mapping of History Header to ISUP Redirection Information

Source SIP header field and component	Source Component value	Redirection Information	Derived value of parameter field
Privacy, priv-value component of the History In History-Info header field of the last two History-Info Entries containing a cause-	"history" for the whole History header or for the last two index entries	Redirection indicator	<i>Call diverted, all redirection info presentation restricted</i>

param with cause value as listed in the cause-param row in this table or as header itself (see note)	Privacy header field absent or "none"		<i>Call diverted</i>
		Original redirection reasons	<i>Unknown</i>
Cause Value in History Index; cause-param = "cause" EQUAL Status-Code	Cause value	Redirection reason	<i>Redirecting Reason</i>
	404		Unknown/not available
	302		Unconditional
	486		User busy
	408		No reply
	480		Deflection immediate response
	487		Deflection during alerting
	503		Mobile subscriber not reachable
NOTE: In History-Info header field of the 2 nd latest Entry containing a CDIV cause-param.			

Table 4.7.1.2.4: Mapping of History-Info Header to ISUP Original Called number

Source SIP header field and component	Source Component value	Original called number	Derived value of parameter field
		Numbering Plan Indicator	<i>"ISDN (Telephony) numbering plan (Recommendation E.164)"</i>
Hi-target-to-uri of 1 st History-Info entry containing a cause-param with cause value as listed in the cause-param row in table 4.7.1.2.3	CC	Nature of address indicator	If CC is equal to the country code of the country where I-MGCF is located AND the next ISUP node is located in the same country, then set to "national (significant) number" else set to "international number"
appropriate global number portion of the URI, assumed to be in form "+" CC + NDC + SN	CC, NDC, SN	Address signals	If NOA is "national (significant) number" then set to NDC + SN. If NOA is "international number" then set to CC + NDC + SN

Table 4.7.1.2.5: Mapping of INVITE to IAM

INVITE		IAM	
History Header	See table 4.7.1.2.2	Redirection number	See table 4.7.1.2.2
History-Info Header	See table 4.7.1.2.3	Redirection Information	See table 4.7.1.2.3
History Index	Index number for Redirecting number	Redirection	Redirection counter = number of History entries containing a

		Information	cause-param with cause value as listed in the cause-param row in this table.
cause-param	Cause value	Redirection Information	<i>Redirecting Reason</i>
	404		Unknown/not available
	302		Unconditional
	486		User busy
	408		No reply
	480		Deflection immediate response
	487		Deflection during alerting
	503		Mobile subscriber not reachable
IF "History Header is available" THEN "use first Index entry of History Header containing a cause-param with cause value as listed in the cause-param row in this table." ELSE "use To Header field."	Redirecting number <sip:oCdPN@hostportion> index=x ;	Original Called Party Number	See Redirecting number
Privacy Header	Priv-value	Original Called Party Number	APRI
	"history"		"presentation restricted"
	Privacy header field absent or "none"		"presentation allowed"

Table 4.7.1.2.6: Mapping of ISUP to SIP Messages

←Message sent to SIP	←Message Received from BICC/ISUP	
181 (Being forwarded)	ACM no indication with Redirection number and call diversion information (CFU, CFB, CDi)	See table 4.7.1.2.8
180 (Ringing)	ACM indicating ringing, oBCi: Call diversion may occur (CFNR, CDa)	Basic call procedure as described within ES 283 027 [13]
181 (Being forwarded)	CPG indicating progress or subsequent diversion indicated in the CPG with Redirection number and call diversion information (CFNR, CDa)	See table 4.7.1.2.9
180 (Ringing)	CPG indicating ringing and Redirection number restriction parameter	See table 4.7.1.2.10
200 (OK)	ANM and Redirection number restriction	See table 4.7.1.2.11

	parameter	
--	-----------	--

In the ISUP destination Exchange of the diverted-to user (see EN 300 356-15 [10]) only the Redirection Number Restriction indicator parameter shall be included into the ACM, CPG, ANM or CON message. Therefore only the mapping of these parameters are shown in table 4.7.1.2.7.

Table 4.7.1.2.7: Mapping of ISUP Redirection Number Restriction Parameter to History-Info Header

ISUP Parameter	Derived value of parameter field	SIP component	Value
Redirection number restriction indicator	presentation restricted		"History" and "id"
	Presentation allowed or absent AND a previous received notification subscription option was NOT "presentation not allowed" OR was NOT "presentation allowed without redirection number"		Privacy header field absent or "none"

A received CPG shall be mapped to a 180 (Ringing) if the CPC indicates an Alerting is due to the mapping ruled defined within the basic call.

Table 4.7.1.2.8: Mapping of ACM → 181 (Call Is Being Forwarded)

ISUP Parameter	Derived value of parameter field	SIP component	Value
Generic notification indicators	Call is diverting		
Redirection number		History-Info Header	hi-targeted-to-uri:
Nature of address indicator:	<i>"national (significant) number"</i>	hi-targeted-to-uri	Add CC (of the country where the MGCF is located) to Redirection number Address Signals then map to user portion of URI scheme used. Addr-spec "+" CC NDC SN mapped to user portion of URI scheme used according to the rules of clause 4.5.2.6.4 c
	<i>"international number"</i>		Map complete Redirection number Address Signals to user portion of URI scheme used according to the rules of clause 4.5.2.6.4 c
Address Signals	If NOA is <i>"national (significant) number"</i> then the format of the Address Signals is:	hi-targeted-to-uri	"+" CC NDC SN mapped to userinfo portion of URI scheme used

ISUP Parameter	Derived value of parameter field	SIP component	Value
	NDC + SN If NOA is "international number" then the format of the Address Signals is: CC + NDC + SN		
Call diversion information	<i>Redirecting Reason</i>	cause-param	Cause value
	Unknown/not available		404
	Unconditional		302
	User busy		486
	No reply		408
	Deflection immediate response		480
	Deflection during alerting		487
	Mobile subscriber not reachable		503
	<i>Notification subscription option</i>	Privacy	Roles
	unknown		Escaped Privacy value is set according to the rules of clause 4.5.2.6.4 c
	presentation not allowed		A 181 Being Forwarded shall not be sent
	presentation allowed with redirection number		Escaped Privacy value is set according to the rules of clause 4.5.2.6.4 c
	presentation allowed without redirection number		Escaped Privacy value is set according to the rules of clause 4.5.2.6.4 c

Table 4.7.1.2.9: Mapping of CPG → 181 (Call Is Being Forwarded)

ISUP Parameter	Derived value of parameter field	SIP component	Value
Event Indicator	Progress		
Generic notification indicators	Call is diverting		
Redirection number		History-Info Header	hi-targeted-to-uri:
Nature of address indicator:	"national (significant) number"	hi-targeted-to-uri	Add CC (of the country where the MGCF is located) to Redirection number Address Signals then map to

			user portion of URI scheme used. Addr-spec "+" CC NDC SN mapped to user portion of URI scheme used according to the rules of clause 4.5.2.6.4 c
	<i>"international number"</i>	hi-targeted-to-uri	Map complete Redirection number Address Signals to user portion of URI scheme used according to the rules of clause 4.5.2.6.4 c
Address Signals	If NOA is <i>"national (significant) number"</i> then the format of the Address Signals is: NDC + SN If NOA is <i>"international number"</i> then the format of the Address Signals is: CC + NDC + SN	hi-targeted-to-uri	"+" CC NDC SN mapped to userinfo portion of URI scheme used
Call diversion information	<i>Redirecting Reason</i>	cause-param	Cause value
	Unknown/not available		404
	Unconditional		302
	User busy		486
	No reply		408
	Deflection immediate response		480
	Deflection during alerting		487
	Mobile subscriber not reachable		503
	<i>Notification subscription option</i>	Privacy	Roles
	unknown		Escaped Privacy value is set according to the rules of clause 4.5.2.6.4 c
	presentation not allowed		A 181 Being Forwarded shall not be sent
	presentation allowed with redirection number		Escaped Privacy value is set according to the rules of clause 4.5.2.6.4 c
	presentation allowed		Escaped Privacy value is set

	without redirection number		according to the rules of clause 4.5.2.6.4 c
--	----------------------------	--	--

Table 4.7.1.2.10: Mapping of CPG → 180 (Ringing)

ISUP Parameter	Derived value of parameter field	SIP component	Value
Event Indicator	Alerting		
Redirection number restriction indicator		History-Info Header	hi-targeted-to-uri:
	<i>Presentation allowed</i>		No Privacy header escaped according to the rules of clause 4.5.2.6.4 c
	<i>Presentation restricted</i>		Escaped Privacy value is set according to the rules of clause 4.5.2.6.4 c
		cause-param	Value stored from a previous received ACM or CPG. See table 4.7.1.2.8
			Cause-param Value stored from a previous received ACM or CPG. See table 4.7.1.2.8

Table 4.7.1.2.11: Mapping of ANM → 200 OK (INVITE)

ISUP Parameter	Derived value of parameter field	SIP component	Value
Redirection number		History-Info Header	See table 4.7.1.2.8
		cause-param	cause value = as stored for the ACM
Redirection number restriction indicator			See table 4.7.1.2.7

4.7.2 Interaction with PSTN/ISDN Emulation

The Interaction with PSTN/ISDN Emulation is for further study.

4.7.3 Interaction with external IP networks

ES 283 003 [2] specifies the procedures used by a UE compliant to the TISIPAN SIP profile to communicate with an external SIP device possibly lacking TISIPAN SIP profile capabilities.

4.8 Parameter values (timers)

4.8.1 No reply timer

No reply timer: Timer duration shall be a service provider option.

4.9 Service Configuration

4.9.1 Structure of the XML Document

Communication Diversion documents are subtrees of the *simservs* document specified in TS 183 023 [4]. As such, Communication Diversion documents use the XCAP application usage in TS 183 023 [4].

In addition to the considerations and constraints defined by the *simservs* document TS 183 023 [4], we define the additional constraints and considerations for the Communication Diversion subtree:

XML schema: Implementations in compliance with the present document shall implement the XML schema that minimally includes the XML Schema defined in clause 4.9.2 and the *simservs* XML schema specified in clause 6.3 of TS 183 023 [4].

Data semantics: The semantics of the communication diversion XML configuration document is specified in clause 4.9.1.

An instance of the simulation services configuration containing a communication diversion configuration document.

```
<?xml version="1.0" encoding="UTF-8"?>
<simservs
xmlns="http://uri.etsi.org/ngn/params/xml/simservs/xcap"
xmlns:cp="urn:ietf:params:xml:ns:common-policy"
xmlns:ocp="urn:oma:xml:xm:common-policy">
  <communication-diversion active="true">
    rule set
  </communication-diversion>
</simservs>
```

The communication diversion service contains a rule set that specifies how the communication diversion service shall react to external stimuli.

4.9.1.1 Communication Diversion Element

The communication diversion configuration is contains a rule set. The rule set reuses the syntax as specified by the common policy draft (see RFC 4745 [17]).

```
<communication-diversion active="true">
  <cp:ruleset>
    rule1
    rule2
  </cp:ruleset>
</communication-diversion>
```

In general the following procedure applies:

When the service processes a set of rules it shall start with the first rule and test if its conditions are all true, if this is the case the rule matches and the specified action shall be executed.

When the rule does not match the following rule shall be selected and the same procedure repeated, until a matching rule is found or the set of remaining rules is empty.

However not all rules can be matched at the same moment in the call. Some conditions imply that rules that carry them are checked at specific events in the call, for example the no-answer condition only holds when the called party does not answer after a while. In this case the same procedure shall apply as above with the modification that the set of rules to process contains only the rules applicable for that specific network event.

In clause 4.9.1.3 all allowed conditions are specified, normally rules are evaluated at communication setup time, for conditions where this is not the case this is explicitly indicated.

The shown "active" attribute is inherited from the `simservType` from TS 183 023 [4], its meaning is also specified in TS 183 023 [4].

4.9.1.2 Communication Diversion Rules

The Communication Diversion service is configured with an ordered set of forwarding rules. The XML Schema reuses the rule syntax as specified by the common policy draft (see RFC 4745 [17]). The rules take the following form:

```
<cp:rule id="rule66">
  <cp:conditions>
    condition1
    condition2
  </cp:conditions>
  <cp:actions>
    <forward-to>
      <target>
        targetAddress1
      </target>
      <notify-caller>true</notify-caller>
    </forward-to>
  </cp:actions>
</cp:rule>
```

When the service processes a set of rules it shall start with the first rule and test if its conditions are all true, if this is the case the rule matches and the specified action is executed. When a rule matches remaining rules in the rule set shall be discarded. Applied to the fragment above this means that only if the expression (*condition1* AND *condition2*) evaluates to true that then the *rule66* matches and the forward-to action is executed.

When the rule does not match the following rule shall be selected and the same procedure repeated, until a matching rule is found or the set of remaining rules is empty.

The "id" attribute value of a rule shall uniquely identify the rule within a rule set. This can be used in XCAP usage to address one specific rule.

4.9.1.3 Communication Diversion Rule Conditions

The following conditions are allowed by the XML Schema for the communication diversion service:

busy: This condition evaluates to true when the called user is busy. In all other cases the condition evaluates to false. Rules with this condition are evaluated when a busy indication is received from the called party.

not-registered: This condition evaluates to true when the called user is not registered. In all other cases the condition evaluates to false.

presence-status: This condition evaluates to true when the called user's current presence activity status is equal to the value set for this condition. In all other cases the condition evaluates to false.

cp:identity: This condition evaluates to true when the *calling* user's identity matches with the value of the identity element. The interpretation of all the elements of this condition is described in OMA-TS-XDM-Core-V1_1 [18]. In all other cases the condition evaluates to false.

anonymous: This condition evaluates to true when the P-Asserted-Identity of the calling user is not provided or privacy restricted.

cp:sphere: Not applicable in the context of the Communication Diversion service.

cp:validity: Specifies a period. The condition evaluates to true when the current time is within the validity period expressed by the value of this condition. In all other cases the condition evaluates to false.

media: When the incoming call request for certain media, the forwarding rule can decide to forward the call for this specific media. This condition evaluates to true when the value of this condition matches the media field in one of the "m=" lines in the SDP (RFC 4566 [5]) offered in an INVITE (RFC 3261 [6]).

no-answer: This condition evaluates to true when the called user does not answer. In all other cases the condition evaluates to false. Rules with this condition are evaluated when a no-answer timeout is detected.

rule-deactivated: This condition always evaluates to false. This can be used to deactivate a rule, without losing information. By removing this condition the rule can be activated again.

ocp:external-list: This condition evaluates to true when the calling users identity is contained in an external resource list to which the value of external-list refers. The exact interpretation of this element is specified in OMA-TS-XDM-Core-V1_1 [18].

ocp:other-identity: Not applicable in the context of communication diversion service.

not-reachable: this condition evaluates to true when there is a signalling channel outage during session setup to the served user's UE and the served user is registered. In all other cases this condition evaluates to false.

The condition elements that are not taken from the common policy schema (RFC 4745 [17]) or OMA common policy schema (see OMA-TS-XDM-Core-V1_1 [18]) are defined in the simservs document schema specified in TS 183 023 [4].

4.9.1.4 Communication Diversion Rule Actions

The action supported by the communication service is forwarding of calls. For this the forward-to action has been defined. The forward-to action takes the following elements:

target: Specifies the address of the forwarding rule. It should be a SIP URI (RFC 3261 [6]) or TEL URL (RFC 3966 [7]).

notify-caller: An optional element that can be used to disable the default behaviour that the caller is notified that the call is being forwarded (see subscription option "*Originating* user receives notification that his communication has been diverted (forwarded or deflected)" in table 4.3.1.1).

reveal-identity-to-caller: An optional element that can be used to disable the default behaviour that the caller is notified that the call is being forwarded receives the diverted-to party's identity information (see subscription option "Served user allows the presentation of forwarded to URI to *originating* user in diversion notification" in table 4.3.1.1).

notify-served-user: An optional element that can be used to enable that the served user is notified that calls are being forwarded. Default this is switched off (see subscription option "*Served user* receives notification that a communication has been forwarded" in table 4.3.1.1).

notify-served-user-on-outbound-call: An optional element that can be used to enable that the served user is notified that calls are being forwarded when he makes a call attempt. Default this is switched off (see subscription option "Served user receives reminder notification on outgoing communication that forwarding is currently activated" in table 4.3.1.1).

reveal-identity-to-target: An optional element that can be used to disable the default behaviour that the diverted-to party receives identity information of the diverting party (see subscription option "Served user allows the presentation of his/her URI to *diverted-to* user" in table 4.3.1.1).

4.9.2 XML Schema

```
<?xml version="1.0" encoding="UTF-8"?>
<xs:schema xmlns:xs="http://www.w3.org/2001/XMLSchema"
xmlns:ss="http://uri.etsi.org/ngn/params/xml/simservs/xcap"
xmlns:cp="urn:ietf:params:xml:ns:common-policy"
xmlns:ocp="urn:oma:xml:xdm:common-policy"
targetNamespace="http://uri.etsi.org/ngn/params/xml/simservs/xcap"

elementFormDefault="qualified"
attributeFormDefault="unqualified">
<!-- import common policy definitions -->
<xs:import namespace="urn:ietf:params:xml:ns:common-policy" schemaLocation="common-policy.xsd"/>
<!-- import OMA common policy extensions -->
<xs:import namespace="urn:oma:xml:xdm:common-policy" schemaLocation="OMA-SUP-
XSD_xdm_commonPolicy-V1_0_2-20070830-A.xsd"/>
<!-- communication diversion rule set based on the common policy rule set.-->
<xs:element name="communication-diversion" substitutionGroup="ss:absService">
<xs:annotation>
```



```
<xs:documentation>This is the communication diversion configuration
document.</xs:documentation>
</xs:annotation>
<xs:complexType>
  <xs:complexContent>
    <xs:extension base="ss:simservType">
      <xs:sequence>
        <!-- add service specific elements here-->
        <xs:element ref="cp:ruleset" minOccurs="0"/>
      </xs:sequence>
    </xs:extension>
    <!-- service specific attributes can be defined here -->
  </xs:complexContent>
</xs:complexType>
</xs:element>

<!-- communication diversion specific extensions to IETF common policy actions-->
<xs:element name="forward-to" type="ss:forward-to-type"/>

<!-- communication diversion specific type declarations -->
<xs:complexType name="forward-to-type">
  <xs:sequence>
    <xs:element name="target" type="xs:anyURI" minOccurs="1" maxOccurs="1"/>
    <xs:element name="notify-caller" type="xs:boolean" default="true" minOccurs="0"/>
    <xs:element name="reveal-identity-to-caller" type="xs:boolean" default="true"
minOccurs="0"/>
    <xs:element name="notify-served-user" type="xs:boolean" default="false" minOccurs="0"/>
    <xs:element name="notify-served-user-on-outbound-call" type="xs:boolean" default="false"
minOccurs="0"/>
    <xs:element name="reveal-identity-to-target" type="xs:boolean" default="true"
minOccurs="0"/>
  </xs:sequence>
</xs:complexType>
</xs:schema>
```

Annex A (informative): Signalling Flows

A.1 Normal cases

A.1.1 Communication Forwarding unconditional

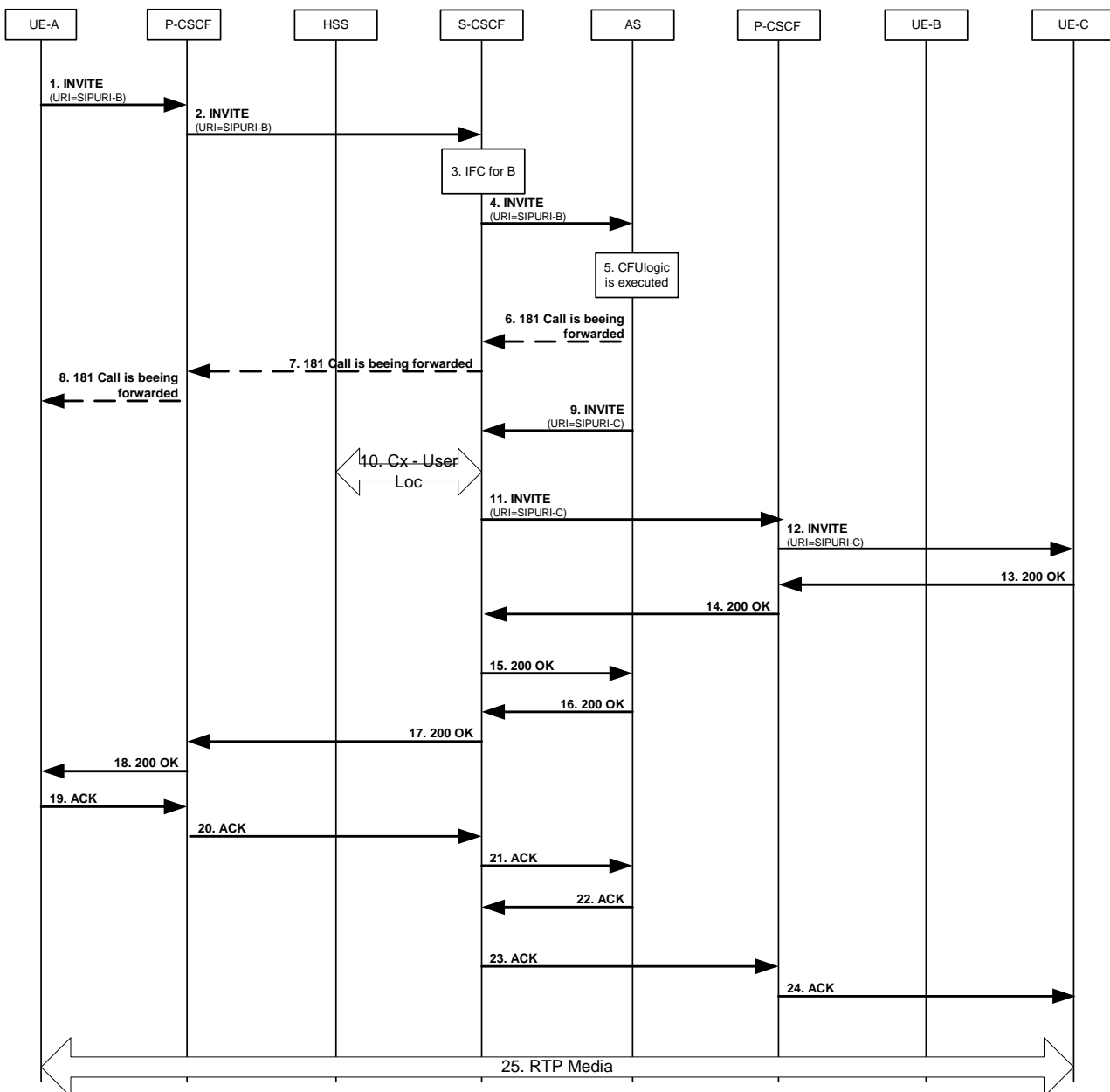


Figure A.1: CFU AS based normal case

User B has activated the CFU service.

User A is sending a communication request towards User B:

- 1 to 2) Initial INVITE request towards user B. The URI-B is subscribed to the CFU service.
- 3 to 4) The based on the IFC the INVITE is forwarded to the AS.
- 5) Procedures for CFU are executed.
- 6 to 8) A 181 may be sent towards the User A indicating that the communication is diverted.
- 9) A Invite including URI-C as destination is sent back to the S-CSCF. Additional the History Header is included.
History-Info: <sip:User-B@example.com>;index=1,
<sip:User-C@example.com;\target=sip: User-B%40example.com;\ cause=302>index=1.1.
- 10) S-CSCF looks up to the HSS to identify the location of User-C.
- 11 to 12) The communication is routed towards User-C.
- 13 to 18) The 200 OK is sent Back to the User-A.
- 19 to 24) The ACK is send back to User-B.
- 25) RTP media is established.

A.1.2 Communication Deflection

The flow below describes the Immediate CD feature the only difference compared to a regular CD is that in the regular CD case the "302 (Moved Temporarily) Moved Temporarily" is preceded by a "180 (Ringing) Ringing".

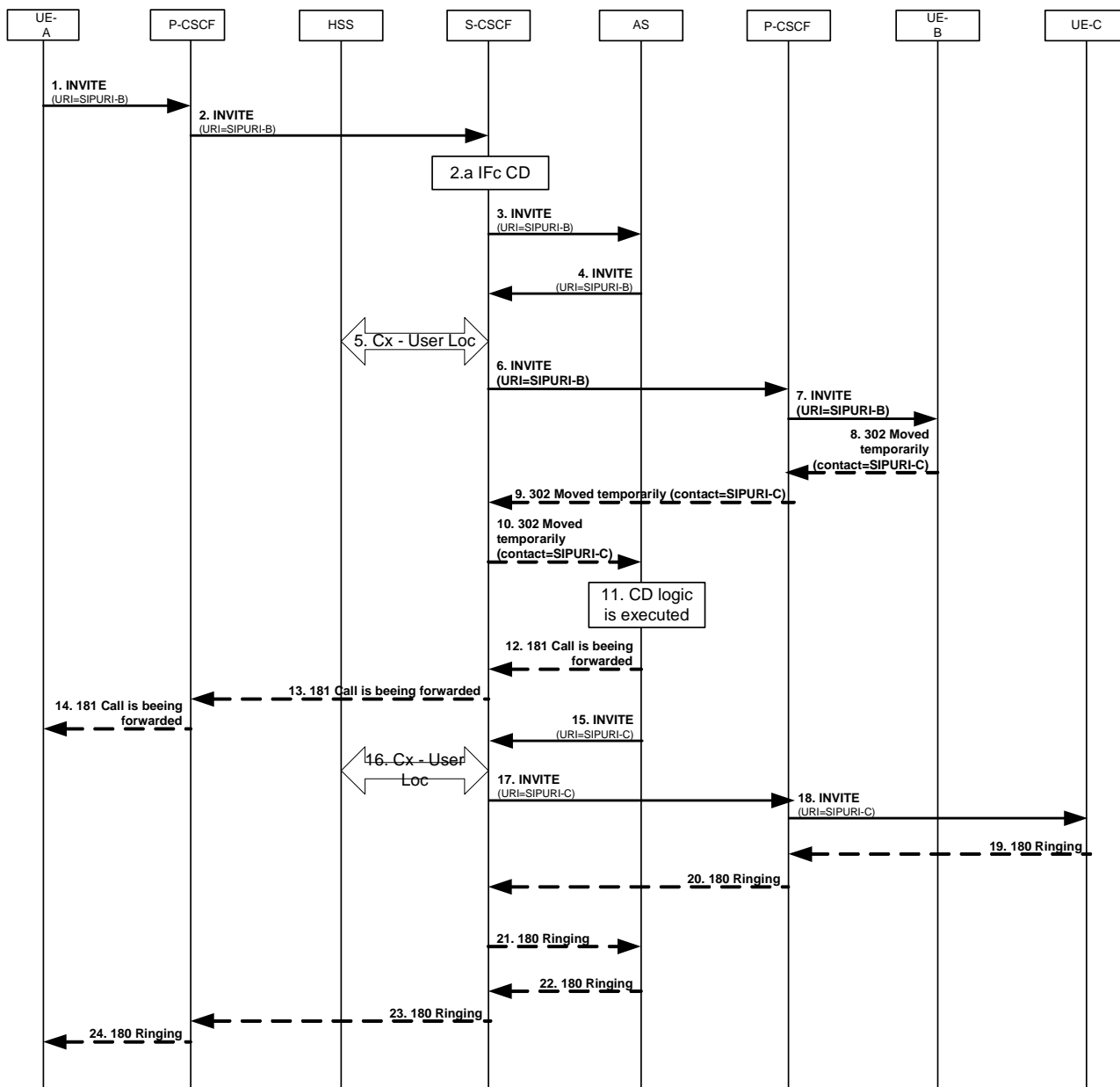


Figure A.2a

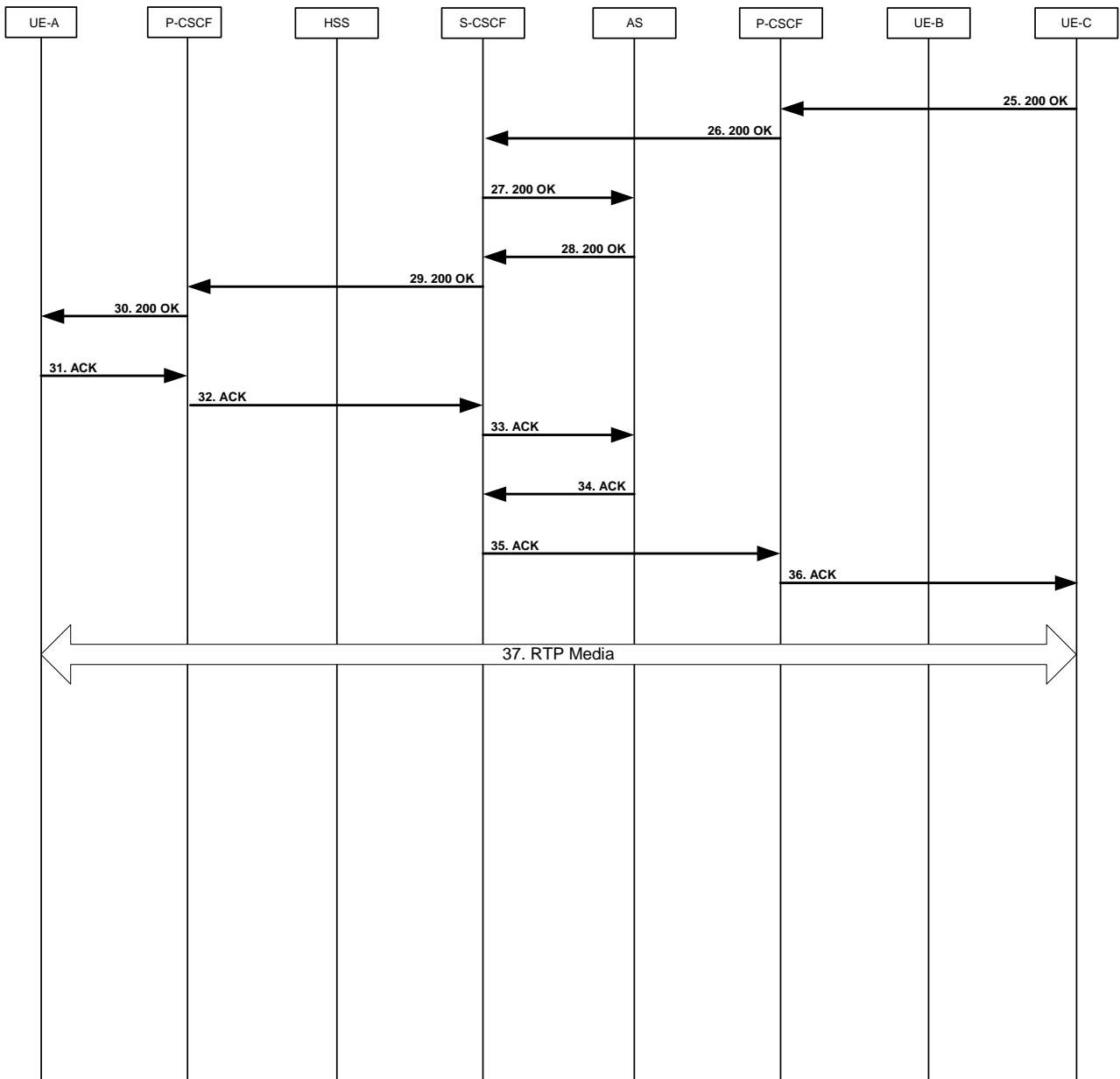


Figure A.2b

User B has activated the CD service.

User A is sending a communication request towards User B:

- 1 to 2) Initial INVITE request towards user B. The URI-B is subscribed to the CFU service.
- 2a to 3) The based on the IFC the INVITE is forwarded to the AS.
- 4 to 7) The INVITE is forwarded to user B due to normal communication procedures.
- 8 to 10) A 302 with a contact header including the URI of the forwarded to user is end back to the AS.
- 11) The CD logic is executed.
- 12 to 14) A 181 may be send towards the User A indicating that the communication is diverted.

15 to 18) A Invite including URI-C as destination is sent back to the S-CSCF. Additional the History Header is included.

History-Info: <sip:User-B@example.com>;index=1,
 <sip:User-C@example.com>;target=sip: User-B%40example.com;\ cause=480>index=2.

19 to 24) A 180 is sent back to the originating user including a history header as shown above. If no restriction is given the diverted to user will be presented at the UE of user A.

25 to 30) The 200 OK is sent Back to the User-A.

31 to 36) The ACK is send back to User-B.

37) RTP media is established.

A.1.3 Communication Forwarding on non Reply

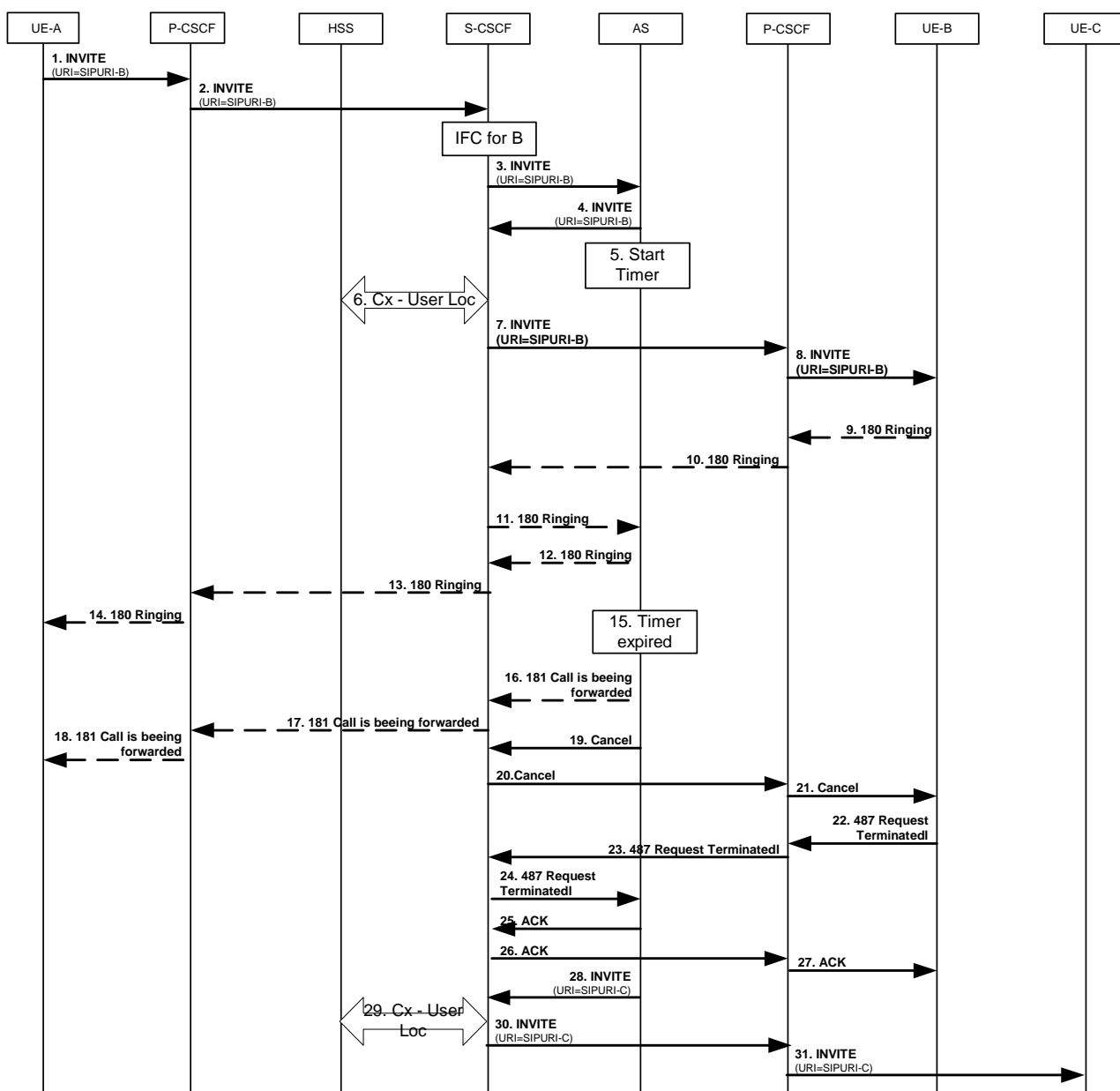


Figure A.3a

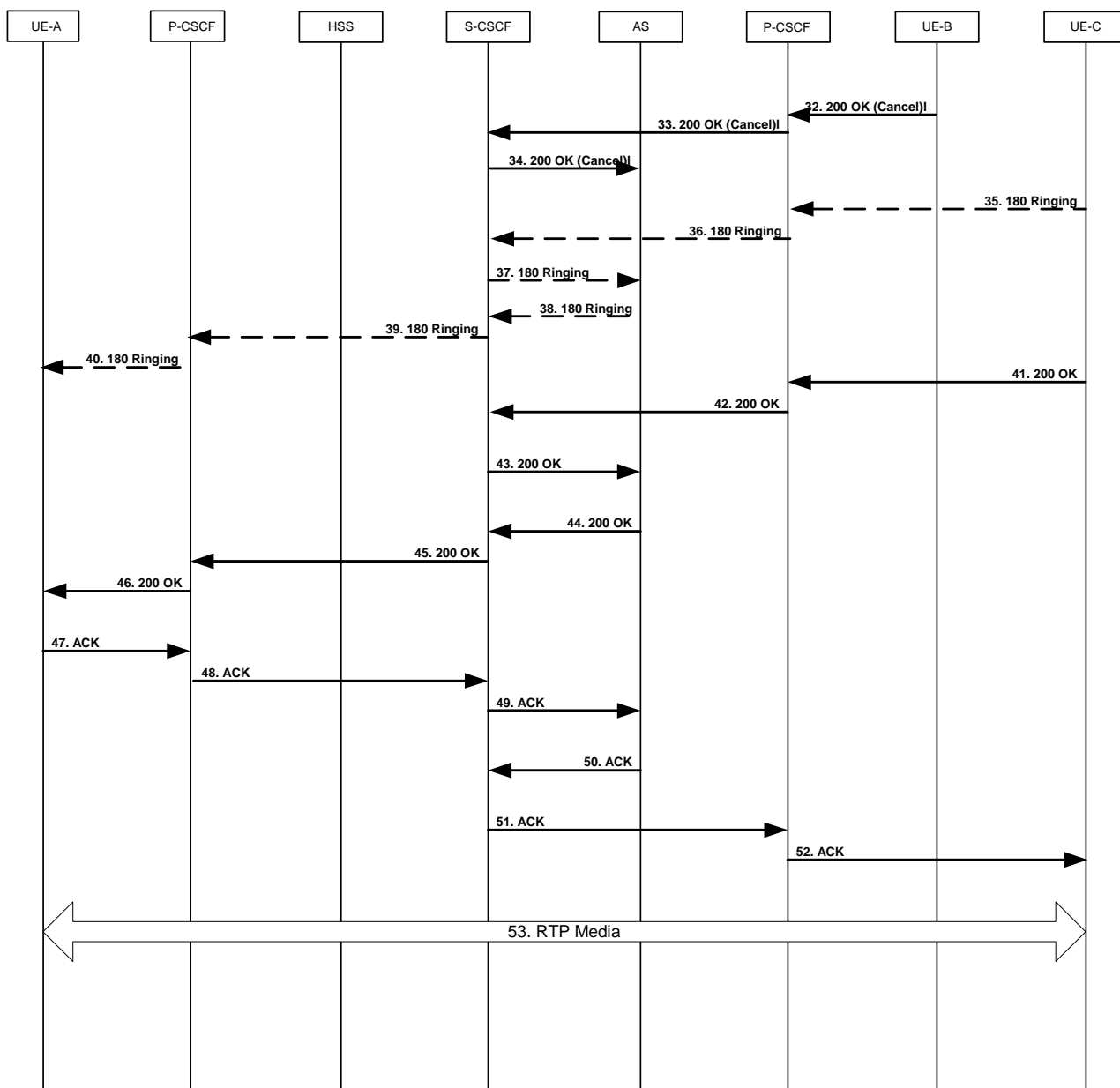


Figure A.3b

User B has activated the CFNR service.

User A is sending a communication request towards User B:

- 1 to 2) Initial INVITE request towards user B. The URI-B is subscribed to the CFU service.
- 3) The based on the IFC the INVITE is forwarded to the AS.
- 4) he INVITE is forwarded to user B due to normal communication procedures.
- 5) The non-reply timer in the AS is started.
- 6 to 7) The INVITE is forwarded to user B due to normal communication procedures.
- 8 to 14) A 180 is sent back to the originating user indicating that the terminating UE is ringing.
- 15) The timer expires.
- 16 to 18) A 181 may be send towards the User A indicating that the communication is diverted.
- 19 to 21) To release the communication to User B the AS sends a CANCEL.

- 22 to 27) A 487 response with a ACK finalize the termination of the dialog between AS and UE:B.
- 28 to 31) A INVITE including URI-C as destination is sent back towards the UE:C. Additional the History Header is included.
History-Info: <sip:User-B@example.com>;index=1,
<sip:User-C@example.com;\target=sip: [User-B%40example.com](#);\ cause=408> index=1.1.
- 32 to 34) The 200 OK for the CANCKE is sent Back to the User-A.
- 35 to 40) A 180 is sent back to the originating user including a history header as shown above. If no restriction is given the diverted to user will be presented at the UE of user A.
- 41 to 46) The 200 OK is sent Back to the User-A.
- 47 to 52) The ACK is send back to User-B.
- 53) RTP media is established.

A.1.4 Communication Forwarding on Busy

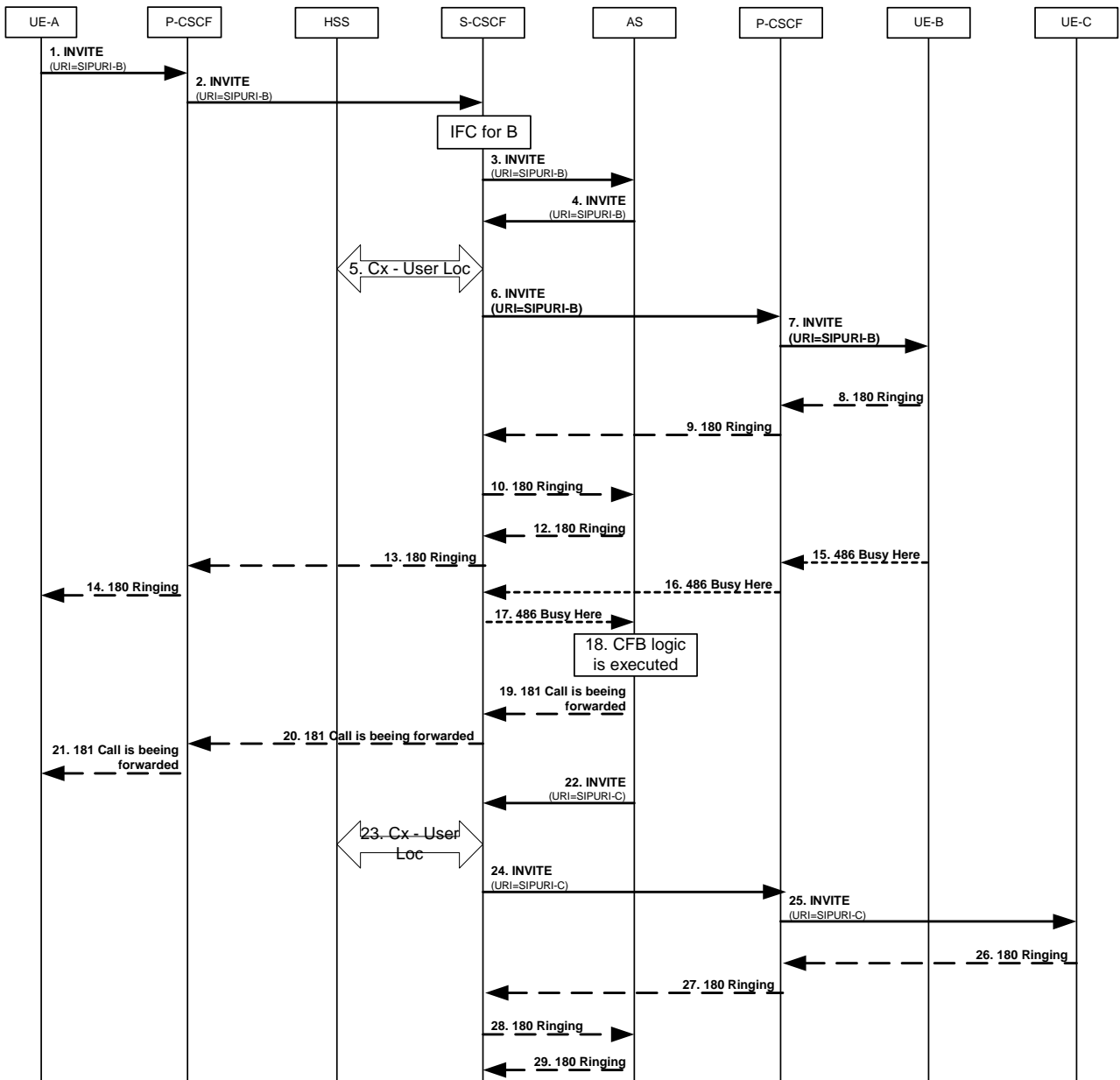


Figure A.4a

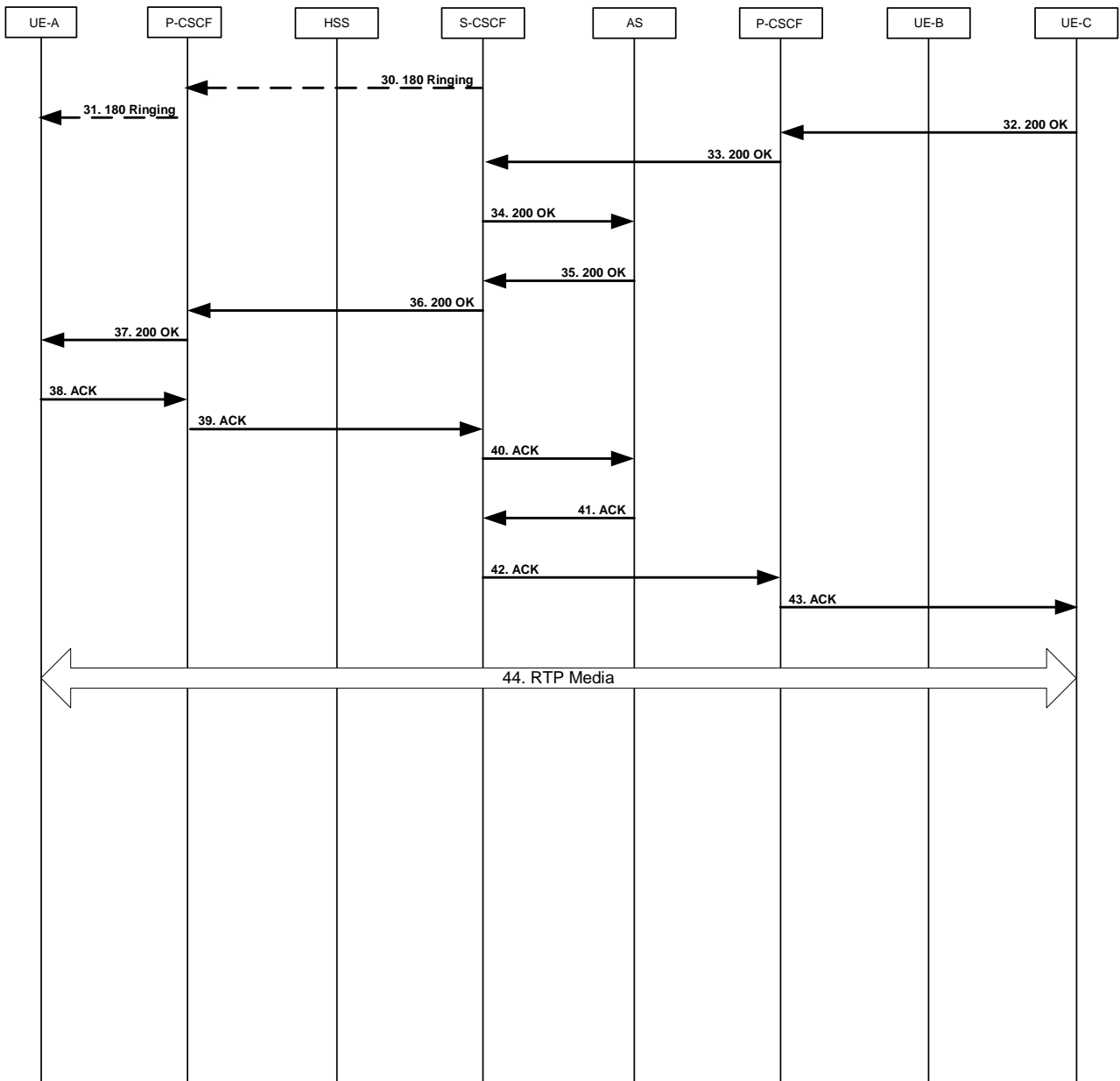


Figure A.4b

A.1.5 Communication Forwarding Not Logged-in (CFNL)

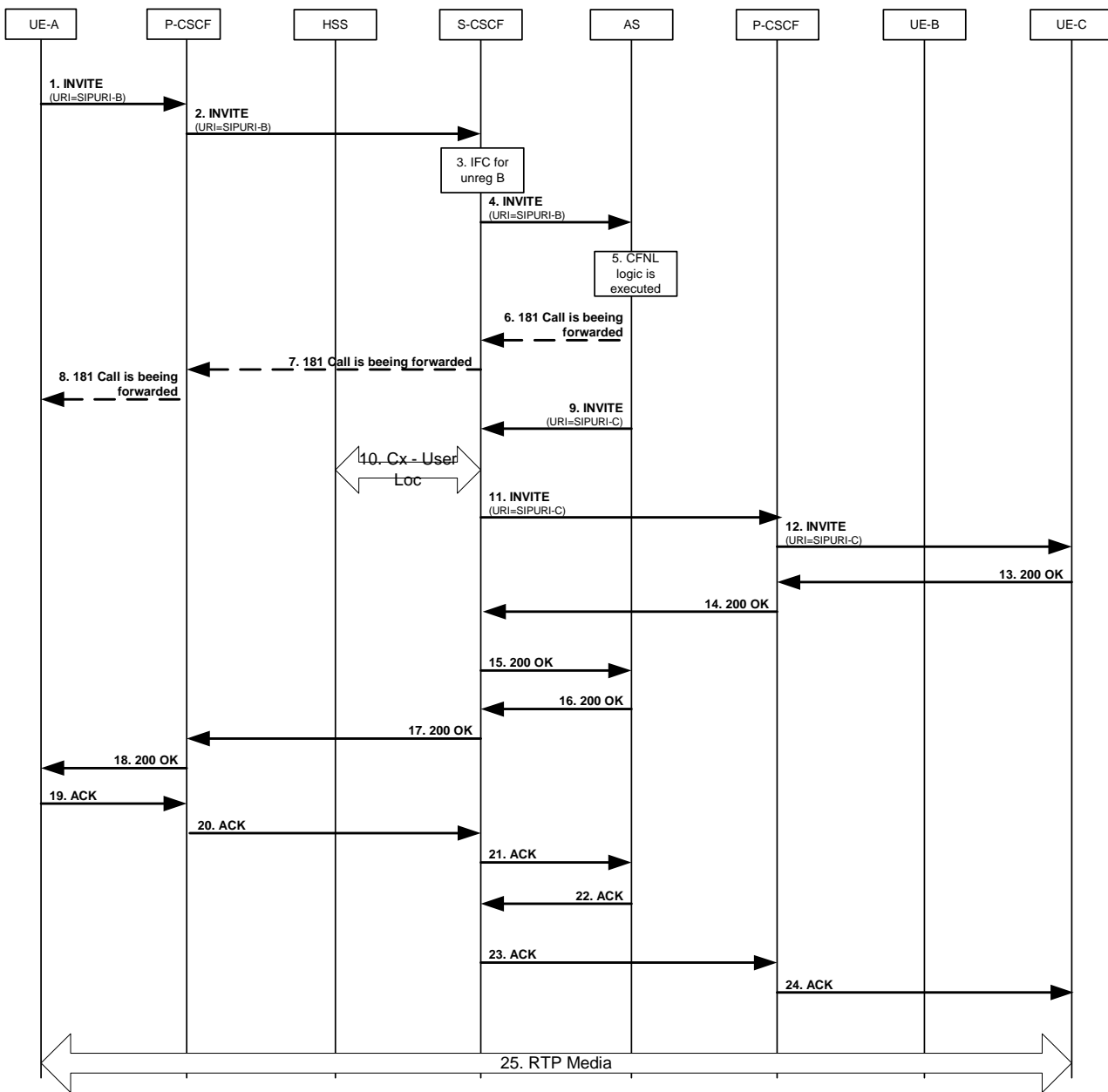


Figure A.5

A.2 Interworking

A.2.1 Communication Forwarding unconditional

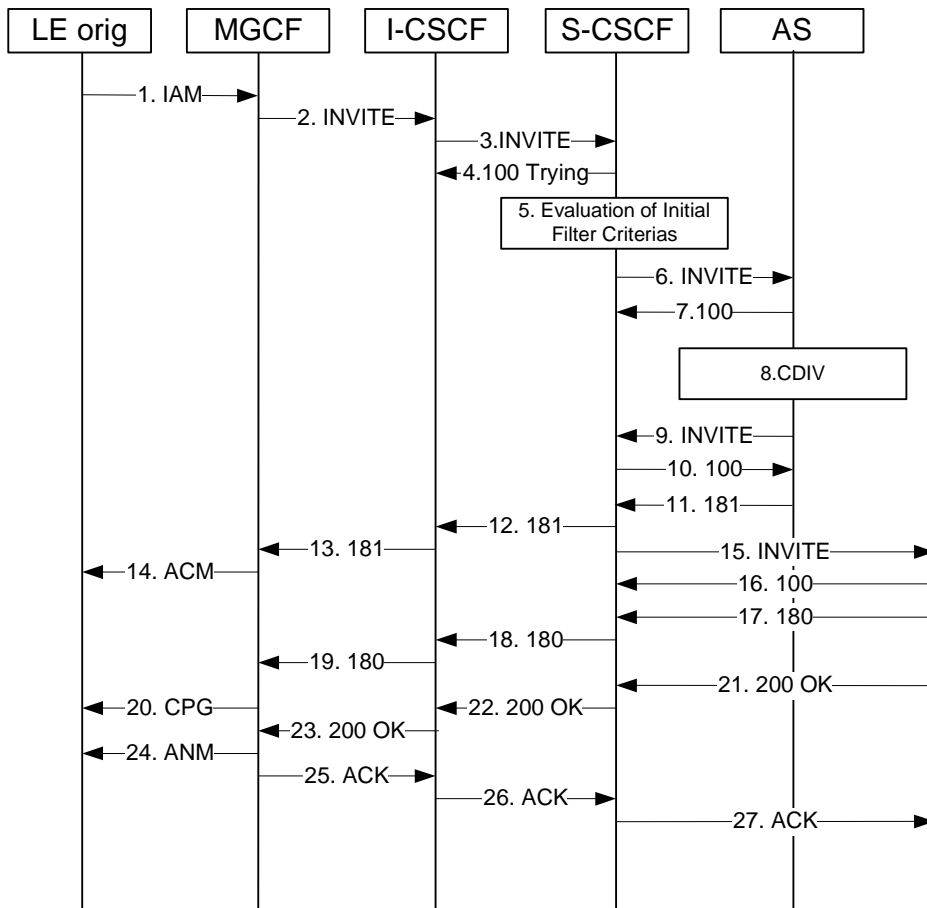


Figure A.6: Call Forwarding Unconditional

A.2.2 Communication Deflection

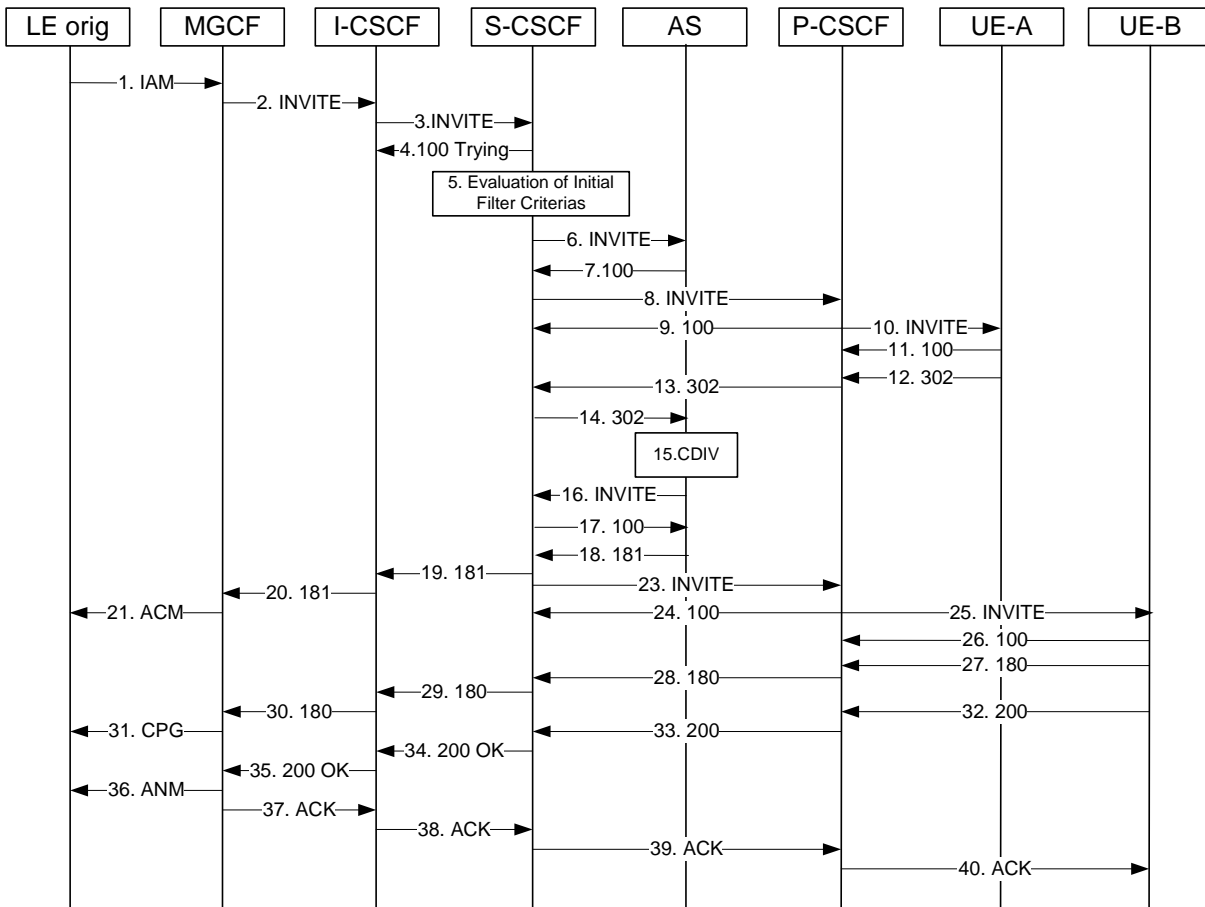


Figure A.7

Annex B (informative): Example of filter criteria

This annex provides an example of a filter criterion that triggers SIP requests that are subject to initial filter criteria evaluation.

An example of an IFC when the CDIV simulation service is active at the diverting S-CSCF is:

- Method: INVITE.

Annex C (informative): Coding considerations

This annex provides an interpretation of the coding of the cause parameter specified in RFC 4458 [14].

The cause specified in RFC 4458 [14] has the following syntax:

```
cause-param      = "cause" EQUAL Status-Code
```

The Status-Code is originally specified in RFC 3261 [6] as a sequence of 3 digits. It is noted that the Status-Code simply indicates that it is composed of 3 digits, without indicating the list of possible values. In particular, Status-Code is not bound to and must not be confused with the 3 digit numbers defined for SIP responses in RFC 3261 [6]. The Status-Code is used to hold the redirecting reason.

For the purpose of legibility, the cause parameter specified in RFC 4458 [14] is interpreted according to the following syntax:

```
cause-param      = "cause" EQUAL Status-Code
Status-Code      = "404" ; Unknown/Not available
                  /  "486" ; User Busy
                  /  "408" ; No Reply
                  /  "302" ; Unconditional
                  /  "487" ; Deflection during alerting
                  /  "480" ; Deflection during immediate response
                  /  "503" ; Mobile subscriber not reachable
```

Annex D (informative): Change history

TISPAN #	TISPAN Doc.	CR	Subject/Comment
11	10tTD111r2	001	CR to TS183004 CDIV Notification
12	11bTD183r1	003	Correct User Configuration XML Schema errors
12	11bTD184r1	004	Change sirmservs XCAP namespace
12	11bTD41	007	CR to TS183004 Parameter syntax correction
Void	Void	002	Void
13	12bTD035r2	005	CR to TS183004 Interworking Index Entry for INVITE to IAM
13	12tTD313r3	006r1	CR to TS183004 Interworking Index Entry for IAM to INVITE
13	SS-060041	008r1	ETSI TS 183 004 (CDIV) - Incorporation of 3GPP requirements
13	12tTD315r2	009r1	Interworking_180-181_for_CDIV_TS183004
13	12bTD038r1	010	CR to TS183004 description of incrementing the Index Entry
13	12tTD337r2	011	Communication Diversion (CDIV)
13	12bTD279	012	Amend the incorrect description
13	12bTD328r2	013	CDIV/ECT service interaction
13	12bTD329r3	014	Introduce CFNRc for Stage 3
Void	Void	015	Void
13bis	13bTD325r2	016	Correction for the CDIV
14ter	14tTD413r1	017	Correction for XML
14ter	14TD419r1	018	Correction for XML
14ter	14tTD538r1	019	Correction of ECT interaction
15bis	15dTD488	020	Correction of XML Schema and XML Schema compliance statement
TISPAN3-WG3	WG3TD139r1	021	WI-3115 Correction of XML Schema
TISPAN16		022	WI03115 - Correction of call flows in TS 183 004, Appendix A

Change history							
Date	TSG #	TSG Doc.	CR	Rev	Subject/Comment	Old	New
2006-04					Publication as ETSI TS 183 004		1.1.1
2007-03					Publication as ETSI TS 183 004		1.2.1
2008-01					Publication as ETSI TS 183 004		1.5.0

2008-01					Conversion to 3GPP TS 24.404		1.5.1
2008-03	CT#39	CP-080086			Version 1.5.1 approved in CP-080087 and version 7.0.0 created by MCC for publication	1.5.1	7.0.0
2008-06	CT#40	CP-080350	0002	1	Correction of XDM reference	7.0.0	7.1.0
2008-09	CT#41	CP-080521	0003	1	Correction to the communication diversion service	7.1.0	7.2.0
2008-09	CT#41	CP-080521	0004	1	Correction of notification service activation	7.1.0	7.2.0
2008-09	CT#41	CP-080521	0005	1	Correction of subscription options	7.1.0	7.2.0
2008-09	CT#41	CP-080521	0006	1	Value of “No reply timer” for CDIV	7.1.0	7.2.0

History

Document history		
V7.0.0	April 2008	Publication
V7.1.0	June 2008	Publication
V7.2.0	October 2008	Publication