

# ETSI TS 124 424 V14.0.0 (2017-05)



**LTE;  
Management Object (MO)  
for Extensible Markup Language (XML)  
Configuration Access Protocol (XCAP) over the Ut interface for  
Manipulating Supplementary Services (SS)  
(3GPP TS 24.424 version 14.0.0 Release 14)**



---

Reference

DTS/TSGC-0124424ve00

---

Keywords

LTE

**ETSI**

650 Route des Lucioles  
F-06921 Sophia Antipolis Cedex - FRANCE

Tel.: +33 4 92 94 42 00 Fax: +33 4 93 65 47 16

Siret N° 348 623 562 00017 - NAF 742 C  
Association à but non lucratif enregistrée à la  
Sous-Préfecture de Grasse (06) N° 7803/88

---

**Important notice**

The present document can be downloaded from:

<http://www.etsi.org/standards-search>

The present document may be made available in electronic versions and/or in print. The content of any electronic and/or print versions of the present document shall not be modified without the prior written authorization of ETSI. In case of any existing or perceived difference in contents between such versions and/or in print, the only prevailing document is the print of the Portable Document Format (PDF) version kept on a specific network drive within ETSI Secretariat.

Users of the present document should be aware that the document may be subject to revision or change of status.

Information on the current status of this and other ETSI documents is available at

<https://portal.etsi.org/TB/ETSIDeliverableStatus.aspx>

If you find errors in the present document, please send your comment to one of the following services:

<https://portal.etsi.org/People/CommiteeSupportStaff.aspx>

---

**Copyright Notification**

No part may be reproduced or utilized in any form or by any means, electronic or mechanical, including photocopying and microfilm except as authorized by written permission of ETSI.

The content of the PDF version shall not be modified without the written authorization of ETSI.

The copyright and the foregoing restriction extend to reproduction in all media.

© European Telecommunications Standards Institute 2017.

All rights reserved.

**DECT™**, **PLUGTESTS™**, **UMTS™** and the ETSI logo are Trade Marks of ETSI registered for the benefit of its Members.

**3GPP™** and **LTE™** are Trade Marks of ETSI registered for the benefit of its Members and of the 3GPP Organizational Partners.

**oneM2M** logo is protected for the benefit of its Members

**GSM®** and the GSM logo are Trade Marks registered and owned by the GSM Association.

---

## Intellectual Property Rights

IPRs essential or potentially essential to the present document may have been declared to ETSI. The information pertaining to these essential IPRs, if any, is publicly available for **ETSI members and non-members**, and can be found in ETSI SR 000 314: *"Intellectual Property Rights (IPRs); Essential, or potentially Essential, IPRs notified to ETSI in respect of ETSI standards"*, which is available from the ETSI Secretariat. Latest updates are available on the ETSI Web server (<https://ipr.etsi.org>).

Pursuant to the ETSI IPR Policy, no investigation, including IPR searches, has been carried out by ETSI. No guarantee can be given as to the existence of other IPRs not referenced in ETSI SR 000 314 (or the updates on the ETSI Web server) which are, or may be, or may become, essential to the present document.

---

## Foreword

This Technical Specification (TS) has been produced by ETSI 3rd Generation Partnership Project (3GPP).

The present document may refer to technical specifications or reports using their 3GPP identities, UMTS identities or GSM identities. These should be interpreted as being references to the corresponding ETSI deliverables.

The cross reference between GSM, UMTS, 3GPP and ETSI identities can be found under <http://webapp.etsi.org/key/queryform.asp>.

---

## Modal verbs terminology

In the present document "**shall**", "**shall not**", "**should**", "**should not**", "**may**", "**need not**", "**will**", "**will not**", "**can**" and "**cannot**" are to be interpreted as described in clause 3.2 of the [ETSI Drafting Rules](#) (Verbal forms for the expression of provisions).

"**must**" and "**must not**" are **NOT** allowed in ETSI deliverables except when used in direct citation.

---

# Contents

Intellectual Property Rights .....	2
Foreword.....	2
Modal verbs terminology.....	2
Foreword.....	4
1 Scope .....	5
2 References .....	5
3 Definitions, symbols and abbreviations .....	5
3.1 Definitions .....	5
3.2 Abbreviations .....	5
4 MO for XCAP over Ut interface for manipulating SS .....	7
5 MO configuration parameters .....	7
5.1 General .....	7
5.2 Node: /<X> .....	7
5.3 /<X>/Name .....	8
5.4 /<X>/Ext .....	8
5.5 /<X>/AccessForXCAP .....	8
5.6 /<X>/XCAP_conn_params_policy .....	8
5.7 /<X>/XCAP_conn_params_policy/<X> .....	9
5.8 /<X>/XCAP_conn_params_policy/<X>/access .....	9
5.9 /<X>/XCAP_conn_params_policy/<X>/XDM_MO_ref .....	9
<b>Annex A (informative): DDF of MO for XCAP over Ut interface for manipulating SS.....</b>	<b>10</b>
<b>Annex B (informative): Change history .....</b>	<b>13</b>
History .....	14

---

# Foreword

This Technical Specification has been produced by the 3<sup>rd</sup> Generation Partnership Project (3GPP).

The contents of the present document are subject to continuing work within the TSG and may change following formal TSG approval. Should the TSG modify the contents of the present document, it will be re-released by the TSG with an identifying change of release date and an increase in version number as follows:

Version x.y.z

where:

- x the first digit:
  - 1 presented to TSG for information;
  - 2 presented to TSG for approval;
  - 3 or greater indicates TSG approved document under change control.
- y the second digit is incremented for all changes of substance, i.e. technical enhancements, corrections, updates, etc.
- z the third digit is incremented when editorial only changes have been incorporated in the document.

---

# 1 Scope

The present document defines the management object (MO) for extensible markup language (XML) configuration access protocol (XCAP) over the Ut interface for manipulating supplementary services (SS).

The MO for XCAP over Ut interface for manipulating SS is compatible with OMA device management protocol specifications, version 1.2 and upwards, and is defined using the OMA DM device description framework as described in the enabler release definition OMA-ERELED\_DM-V1\_2 [2].

The MO for XCAP over Ut interface for manipulating SS consists of relevant configuration parameters that can be managed for a UE supporting the UE role specified in 3GPP TS 24.623 [3].

---

# 2 References

The following documents contain provisions which, through reference in this text, constitute provisions of the present document.

- References are either specific (identified by date of publication, edition number, version number, etc.) or non-specific.
- For a specific reference, subsequent revisions do not apply.
- For a non-specific reference, the latest version applies. In the case of a reference to a 3GPP document (including a GSM document), a non-specific reference implicitly refers to the latest version of that document *in the same Release as the present document*.

- [1] 3GPP TR 21.905: "Vocabulary for 3GPP Specifications".
- [2] OMA OMA-ERELED-DM-V1\_2-20070209-A: "Enabler Release Definition for OMA Device Management, Version 1.2".
- [3] 3GPP TS 24.623: "Extensible Markup Language (XML) Configuration Access Protocol (XCAP) over the Ut interface for Manipulating Supplementary Services".
- [4] OMA OMA-TS-XDM\_MO-V1\_1-20080627-A: "OMA Management Object for XML Document Management".
- [5] OMA OMA-TS-DM\_Protocol-V1\_2-20070209-A: "OMA Device Management Protocol".

---

# 3 Definitions, symbols and abbreviations

## 3.1 Definitions

For the purposes of the present document, the terms and definitions given in 3GPP TR 21.905 [1] and the following apply. A term defined in the present document takes precedence over the definition of the same term, if any, in 3GPP TR 21.905 [1].

## 3.2 Abbreviations

For the purposes of the present document, the abbreviations given in 3GPP TR 21.905 [1] and the following apply. An abbreviation defined in the present document takes precedence over the definition of the same abbreviation, if any, in 3GPP TR 21.905 [1].

DDF	Device Description Framework
DM	Device Management
IP	Internet Protocol
IP-CAN	IP-Connectivity Access Network

MO	Management Object
OMA	Open Mobile Alliance
SS	Supplementary Services
UE	User Equipment
XCAP	XML Configuration Access Protocol
XML	Extensible Markup Language

## 4 MO for XCAP over Ut interface for manipulating SS

The MO for XCAP over Ut interface for manipulating SS is used to manage settings of the UE for extensible markup language (XML) configuration access protocol (XCAP) over the Ut interface for manipulating supplementary services (SS). Figure 4-1 gives overview of the configuration parameters of the MO for XCAP over Ut interface for manipulating SS.

The MO for XCAP over Ut interface for manipulating SS covers configuration parameters for a UE supporting the UE role specified in 3GPP TS 24.623 [3].

The MO identifier is: urn:oma:mo:ext-3gpp-xcaputss:1.0.

Protocol compatibility: This MO is compatible with OMA DM 1.2.

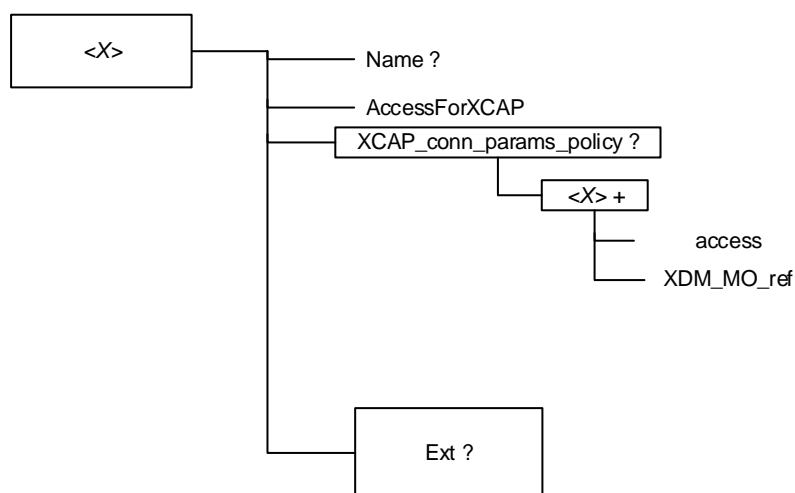


Figure 4-1: MO for XCAP over Ut interface for manipulating SS

## 5 MO configuration parameters

### 5.1 General

This clause describes the configuration parameters for the MO for XCAP over Ut interface for manipulating SS.

### 5.2 Node: /<X>

This interior node acts as a placeholder for one or more accounts for a fixed node.

- Occurrence: OneOrMore
- Format: node
- Access Types: Get, Replace
- Values: N/A

The interior node is mandatory for a UE supporting the UE role specified in 3GPP TS 24.623 [3].

NOTE: One node is normally used. More nodes are only used in case the terminal supports multiple UICCs.



Child nodes of this interior node which are not defined in this version of the present document are ignored.

### 5.3 /<X>/Name

This leaf is a name for the settings for the XCAP over the Ut interface for manipulating the SS.

- Occurrence: ZeroOrOne
- Format: chr
- Access Types: Get, Replace
- Values: <User displayable name>

### 5.4 /<X>/Ext

The Ext is an interior node for where the vendor specific information about the management of the XCAP over the Ut interface for manipulating the SS is being placed (vendor meaning application vendor, device vendor etc.). Usually the vendor extension is identified by vendor specific name under the ext node. The tree structure under the vendor identified is not defined and can therefore include one or more un-standardized sub-trees.

- Occurrence: ZeroOrOne
- Format: node
- Access Types: Get
- Values: N/A

### 5.5 /<X>/AccessForXCAP

This leaf is the policy on access type used for XCAP.

- Occurrence: One
- Format: int
- Access Types: Get, Replace
- Values: one of the values specified in table 5.5-1.

**Table 5.5-1: Possible values for the AccessForXCAP leaf**

Value	Description
0	any access type
1	3GPP accesses only
2	EPC via WLAN IP-CAN only
3	Non-seamless WLAN offload only
4	3GPP accesses preferred, non-seamless WLAN offload as secondary
5	3GPP accesses preferred, EPC via WLAN IP-CAN as secondary
6-255	not assigned

A "not assigned" value is interpreted as "any access type" value.

### 5.6 /<X>/XCAP\_conn\_params\_policy

This interior node contains the XCAP connection parameters policy.

- Occurrence: ZeroOrOne
- Format: node

- Access Types: Get, Replace
- Values: N/A

If this interior node contains a child node not defined in this version of the present document, the child node is ignored.

## 5.7 /<X>/XCAP\_conn\_params\_policy/<X>

This interior node contains one XCAP connection parameters policy part.

- Occurrence: OneOrMore
- Format: node
- Access Types: Get, Replace
- Values: N/A

If this interior node contains a child node not defined in this version of the present document, this interior node is ignored.

If a descendant node of this interior node contains a value not defined in this version of the present document, this interior node is ignored.

## 5.8 /<X>/XCAP\_conn\_params\_policy/<X>/access

This leaf contains an access identifier, with values shown in table 5.8-1

- Occurrence: One
- Format: int
- Access Types: Get, Replace
- Values: N/A

**Table 5.8-1: Possible values for the access leaf**

Value	Description
1	3GPP accesses
2	Evolved Packet Core (EPC) via Wireless Local Access Network (WLAN) IP-CAN (NOTE)
3	Evolved Packet Core (EPC) via trusted Wireless Local Access Network (WLAN) IP-CAN
4	Evolved Packet Core (EPC) via untrusted Wireless Local Access Network (WLAN) IP-CAN
0, 5-255	Not assigned
NOTE:	Evolved Packet Core (EPC) via Wireless Local Access Network (WLAN) IP-CAN encompasses both the Evolved Packet Core (EPC) via trusted Wireless Local Access Network (WLAN) IP-CAN and the Evolved Packet Core (EPC) via untrusted Wireless Local Access Network (WLAN) IP-CAN.

## 5.9 /<X>/XCAP\_conn\_params\_policy/<X>/XDM\_MO\_ref

This leaf contains an XCAP connection parameters reference.

The value of this leaf is a full device URI as specified in OMA-TS-DM\_Protocol-V1\_2 [5], identifying the <X> interior node specified in OMA-TS-XDM\_MO-V1\_1 [4] in the UE management tree.

- Occurrence: One
- Format: str
- Access Types: Get, Replace
- Values: N/A

## Annex A (informative): DDF of MO for XCAP over Ut interface for manipulating SS

This DDF is the standardized minimal set. A vendor can define its own DDF for the complete device. This DDF can include more features than this minimal standardized version.

```

<?xml version="1.0" encoding="UTF-8"?>
<!DOCTYPE MgmtTree PUBLIC "-//OMA//DTD-DM-DDF 1.2//EN"
"http://www.openmobilealliance.org/tech/DTD/DM_DDF-V1_2.dtd">
<MgmtTree>
  <VerDTD>1.2</VerDTD>
  <Man>--The device manufacturer--</Man>
  <Mod>--The device model--</Mod>
  <Node>
    <NodeName/>
    <DFProperties>
      <AccessType>
        <Get/>
        <Replace/>
      </AccessType>
      <Description>Configuration parameters for the XCAP over the Ut interface for
manipulating the SS</Description>
      <DFFormat>
        <node/>
      </DFFormat>
      <Occurrence>
        <OneOrMore/>
      </Occurrence>
      <Scope>
        <Permanent/>
      </Scope>
      <DFTitle>The Management Object (MO) for Extensible Markup Language (XML) Configuration
Access Protocol (XCAP) over the Ut interface for Manipulating Supplementary Services (SS).</DFTitle>
      <DFType>
        <DDFName/>
      </DFType>
    </DFProperties>

    <Node>
      <NodeName>Name</NodeName>
      <DFProperties>
        <AccessType>
          <Get/>
          <Replace/>
        </AccessType>
        <DFFormat>
          <chr/>
        </DFFormat>
        <Occurrence>
          <ZeroOrOne/>
        </Occurrence>
        <Scope>
          <Dynamic/>
        </Scope>
        <DFTitle>The name for the settings for the XCAP over the Ut interface for
manipulating the SS.</DFTitle>
        <DFType>
          <MIME>text/plain</MIME>
        </DFType>
      </DFProperties>
    </Node>

    <Node>
      <NodeName>AccessForXCAP</NodeName>
      <DFProperties>
        <AccessType>
          <Get/>
          <Replace/>
        </AccessType>
        <DFFormat>
          <int/>
        </DFFormat>
        <Occurrence>
          <One/>
        </Occurrence>

```

```

    <Scope>
      <Permanent/>
    </Scope>
    <DFTitle>The policy on access type used for XCAP</DFTitle>
    <DFType>
      <MIME>text/plain</MIME>
    </DFType>
  </DFProperties>
</Node>

<Node>
  <nodeName>XCAP_conn_params_policy</nodeName>
  <DFProperties>
    <AccessType>
      <Get/>
      <Replace/>
    </AccessType>
    <DFFormat>
      <node/>
    </DFFormat>
    <Occurrence>
      <ZeroOrOne/>
    </Occurrence>
    <Scope>
      <Dynamic/>
    </Scope>
    <DFTitle>XCAP connection parameters policy.</DFTitle>
    <DFType>
      <DDFName/>
    </DFType>
  </DFProperties>
  <Node>
    <nodeName/>
    <DFProperties>
      <AccessType>
        <Get/>
        <Replace/>
      </AccessType>
      <DFFormat>
        <node/>
      </DFFormat>
      <Occurrence>
        <OneOrMore/>
      </Occurrence>
      <Scope>
        <Dynamic/>
      </Scope>
      <DFTitle>XCAP connection parameters policy part</DFTitle>
      <DFType>
        <DDFName/>
      </DFType>
    </DFProperties>
    <Node>
      <nodeName>access</nodeName>
      <DFProperties>
        <AccessType>
          <Get/>
          <Replace/>
        </AccessType>
        <DFFormat>
          <int/>
        </DFFormat>
        <Occurrence>
          <One/>
        </Occurrence>
        <Scope>
          <Dynamic/>
        </Scope>
        <DFTitle>An access identifier.</DFTitle>
        <DFType>
          <MIME>text/plain</MIME>
        </DFType>
      </DFProperties>
    </Node>
  </Node>
  <Node>
    <nodeName>XDM_MO_ref</nodeName>
    <DFProperties>
      <AccessType>

```

```

        <Get/>
        <Replace/>
    </AccessType>
    <DFFormat>
        <chr/>
    </DFFormat>
    <Occurrence>
        <One/>
    </Occurrence>
    <Scope>
        <Dynamic/>
    </Scope>
    <DFTitle>An XCAP connection parameters reference.</DFTitle>
    <DFType>
        <MIME>text/plain</MIME>
    </DFType>
    </DFProperties>
</Node>
</Node>

<Node>
    <NodeName>Ext</NodeName>
    <!-- The Extension node starts here. -->
    <DFProperties>
        <AccessType>
            <Get/>
        </AccessType>
        <DFFormat>
            <node/>
        </DFFormat>
        <Occurrence>
            <ZeroOrOne/>
        </Occurrence>
        <Scope>
            <Dynamic/>
        </Scope>
        <DFTitle>A collection of all Extension objects.</DFTitle>
        <DFType>
            <DDFName/>
        </DFType>
    </DFProperties>
</Node>
</Node>
</MgmtTree>

```

## Annex B (informative): Change history

Change history							
Date	Meeting	TDoc	CR	Rev	Cat	Subject/Comment	New version
2016-08						Incorporating C1-163574, C1-163575, C1-163576. "inteface" corrected to "interface".	0.1.0
2016-10						Incorporating C1-164693, C1-164697. Editorial changes. OMA-TS-DM_Protocol-V1_2 made version specific.	0.2.0
2016-10						Editorial changes.	0.2.1
2016-11	CT-74	CP-160707				Version 1.0.0 created for presentation for information to CT plenary	1.0.0
2017-01						Incorporating C1-170001, C1-170002, C1-170005. Correcting title of OMA OMA-TS-XDM_MO-V1_1-20080627-A.	1.1.0
2017-02						Incorporating C1-170571.	1.2.0
2017-02	CT-75	CP-170163				Version 2.0.0 created for presentation for approval to CT plenary	2.0.0
2017-03	CT-75					Version 14.0.0 created after approval	14.0.0

---

# History

<b>Document history</b>		
V14.0.0	May 2017	Publication