

# ETSI TS 125 142 V4.2.0 (2001-09)

---

*Technical Specification*

**Universal Mobile Telecommunications System (UMTS);  
Base station conformance testing (TDD)  
(3GPP TS 25.142 version 4.2.0 Release 4)**

---



---

Reference

RTS/TSGR-0425142Uv4R2

---

Keywords

UMTS

**ETSI**

650 Route des Lucioles  
F-06921 Sophia Antipolis Cedex - FRANCE

Tel.: +33 4 92 94 42 00 Fax: +33 4 93 65 47 16

Siret N° 348 623 562 00017 - NAF 742 C  
Association à but non lucratif enregistrée à la  
Sous-Préfecture de Grasse (06) N° 7803/88

---

**Important notice**

Individual copies of the present document can be downloaded from:

<http://www.etsi.org>

The present document may be made available in more than one electronic version or in print. In any case of existing or perceived difference in contents between such versions, the reference version is the Portable Document Format (PDF). In case of dispute, the reference shall be the printing on ETSI printers of the PDF version kept on a specific network drive within ETSI Secretariat.

Users of the present document should be aware that the document may be subject to revision or change of status. Information on the current status of this and other ETSI documents is available at

<http://portal.etsi.org/tb/status/status.asp>

If you find errors in the present document, send your comment to:

[editor@etsi.fr](mailto:editor@etsi.fr)

---

**Copyright Notification**

No part may be reproduced except as authorized by written permission.  
The copyright and the foregoing restriction extend to reproduction in all media.

© European Telecommunications Standards Institute 2001.  
All rights reserved.

---

## Intellectual Property Rights

IPRs essential or potentially essential to the present document may have been declared to ETSI. The information pertaining to these essential IPRs, if any, is publicly available for **ETSI members and non-members**, and can be found in ETSI SR 000 314: "*Intellectual Property Rights (IPRs); Essential, or potentially Essential, IPRs notified to ETSI in respect of ETSI standards*", which is available from the ETSI Secretariat. Latest updates are available on the ETSI Web server (<http://www.etsi.org/legal/home.htm>).

Pursuant to the ETSI IPR Policy, no investigation, including IPR searches, has been carried out by ETSI. No guarantee can be given as to the existence of other IPRs not referenced in ETSI SR 000 314 (or the updates on the ETSI Web server) which are, or may be, or may become, essential to the present document.

---

## Foreword

This Technical Specification (TS) has been produced by the ETSI 3<sup>rd</sup> Generation Partnership Project (3GPP).

The present document may refer to technical specifications or reports using their 3GPP identities, UMTS identities or GSM identities. These should be interpreted as being references to the corresponding ETSI deliverables.

The cross reference between GSM, UMTS, 3GPP and ETSI identities can be found under [www.etsi.org/key](http://www.etsi.org/key).

# Contents

|                                                            |    |
|------------------------------------------------------------|----|
| Intellectual Property Rights .....                         | 2  |
| Foreword.....                                              | 2  |
| Foreword.....                                              | 12 |
| 1 Scope .....                                              | 13 |
| 2 References .....                                         | 13 |
| 3 Definitions, symbols, and abbreviations .....            | 13 |
| 3.1 Definitions .....                                      | 13 |
| 3.2 Symbols.....                                           | 14 |
| 3.3 Abbreviations .....                                    | 14 |
| 4 Frequency bands and channel arrangement.....             | 14 |
| 4.1 General .....                                          | 14 |
| 4.2 Frequency bands.....                                   | 15 |
| 4.3 TX–RX frequency separation.....                        | 15 |
| 4.3.1 3,84 Mcps TDD option .....                           | 15 |
| 4.3.2 1,28 Mcps TDD option .....                           | 15 |
| 4.4 Channel arrangement.....                               | 15 |
| 4.4.1 Channel spacing .....                                | 15 |
| 4.4.1.1 3,84 Mcps TDD option .....                         | 15 |
| 4.4.1.2 1,28 Mcps TDD option .....                         | 15 |
| 4.4.2 Channel raster .....                                 | 15 |
| 4.4.3 Channel number .....                                 | 15 |
| 5 General test conditions and declarations .....           | 16 |
| 5.1 Base station classes .....                             | 16 |
| 5.2 Output power.....                                      | 16 |
| 5.3 Specified frequency range .....                        | 16 |
| 5.4 Relationship between RF generation and chip clock..... | 16 |
| 5.5 Spectrum emission mask .....                           | 16 |
| 5.6 Adjacent Channel Leakage power Ratio (ACLR) .....      | 17 |
| 5.7 Tx spurious emissions .....                            | 17 |
| 5.7.1 Category of spurious emissions limit.....            | 17 |
| 5.7.2 Co-existence with GSM.....                           | 17 |
| 5.7.3 Co-existence with DCS 1800.....                      | 17 |
| 5.7.4 Co-existence with UTRA FDD.....                      | 17 |
| 5.8 Blocking characteristics .....                         | 18 |
| 5.9 Test environments .....                                | 18 |
| 5.9.1 Normal test environment .....                        | 18 |
| 5.9.2 Extreme test environment .....                       | 19 |
| 5.9.2.1 Extreme temperature .....                          | 19 |
| 5.9.3 Vibration.....                                       | 19 |
| 5.9.4 Power supply .....                                   | 19 |
| 5.10 Acceptable uncertainty of Test System.....            | 20 |
| 5.10.1 Measurement of test environments .....              | 20 |
| 5.10.2 Measurement of transmitter .....                    | 21 |
| 5.10.3 Measurement of receiver .....                       | 22 |
| 5.10.4 Measurement of performance requirements .....       | 23 |
| 5.11 Test Tolerances (informative).....                    | 23 |
| 5.11.1 Transmitter.....                                    | 24 |
| 5.11.2 Receiver .....                                      | 24 |
| 5.11.3 Performance requirements .....                      | 25 |
| 5.12 Interpretation of measurement results .....           | 25 |
| 5.13 Selection of configurations for testing.....          | 25 |
| 5.14 BS Configurations .....                               | 25 |
| 5.14.1 Receiver diversity .....                            | 26 |

|             |                                                                     |    |
|-------------|---------------------------------------------------------------------|----|
| 5.14.2      | Duplexers .....                                                     | 26 |
| 5.14.3      | Power supply options .....                                          | 26 |
| 5.14.4      | Ancillary RF amplifiers .....                                       | 26 |
| 5.14.5      | BS using antenna arrays .....                                       | 26 |
| 5.14.5.1    | Receiver tests .....                                                | 27 |
| 5.14.5.2    | Transmitter tests .....                                             | 27 |
| 5.15        | Overview of the conformance test requirements .....                 | 28 |
| 5.16        | Format and interpretation of tests .....                            | 29 |
| 5.17        | Regional requirements .....                                         | 29 |
| 5.18        | Definition of Additive White Gaussian Noise (AWGN) Interferer ..... | 30 |
| 6           | Transmitter characteristics .....                                   | 30 |
| 6.1         | General .....                                                       | 30 |
| 6.2         | Maximum output power .....                                          | 31 |
| 6.2.1       | Definition and applicability .....                                  | 31 |
| 6.2.2       | Minimum Requirements .....                                          | 31 |
| 6.2.3       | Test purpose .....                                                  | 31 |
| 6.2.4       | Method of test .....                                                | 31 |
| 6.2.4.1     | Initial conditions .....                                            | 31 |
| 6.2.4.1.0   | General test conditions .....                                       | 31 |
| 6.2.4.1.1   | 3,84 Mcps TDD option .....                                          | 31 |
| 6.2.4.1.2   | 1,28 Mcps TDD option .....                                          | 32 |
| 6.2.4.2     | Procedure .....                                                     | 32 |
| 6.2.4.2.1   | 3,84 Mcps TDD option .....                                          | 32 |
| 6.2.4.2.2   | 1,28 Mcps TDD option .....                                          | 32 |
| 6.2.5       | Test Requirements .....                                             | 32 |
| 6.3         | Frequency stability .....                                           | 33 |
| 6.3.1       | Definition and applicability .....                                  | 33 |
| 6.3.2       | Minimum Requirements .....                                          | 33 |
| 6.3.3       | Test purpose .....                                                  | 33 |
| 6.3.4       | Method of test .....                                                | 33 |
| 6.3.4.1     | Initial conditions .....                                            | 33 |
| 6.3.4.1.0   | General test conditions .....                                       | 33 |
| 6.3.4.1.1   | 3,84 Mcps TDD option .....                                          | 33 |
| 6.3.4.1.2   | 1,28 Mcps TDD option .....                                          | 34 |
| 6.3.4.2     | Procedure .....                                                     | 34 |
| 6.3.5       | Test Requirements .....                                             | 34 |
| 6.4         | Output power dynamics .....                                         | 34 |
| 6.4.1       | Inner loop power control .....                                      | 34 |
| 6.4.2       | Power control steps .....                                           | 34 |
| 6.4.2.1     | Definition and applicability .....                                  | 34 |
| 6.4.2.2     | Minimum Requirements .....                                          | 35 |
| 6.4.2.3     | Test purpose .....                                                  | 35 |
| 6.4.2.4     | Method of test .....                                                | 35 |
| 6.4.2.4.1   | Initial conditions .....                                            | 35 |
| 6.4.2.4.1.0 | General test conditions .....                                       | 35 |
| 6.4.2.4.1.1 | 3,84 Mcps TDD option .....                                          | 35 |
| 6.4.2.4.1.2 | 1,28 Mcps TDD option .....                                          | 36 |
| 6.4.2.4.2   | Procedure .....                                                     | 36 |
| 6.4.2.4.2.1 | 3,84 Mcps TDD option .....                                          | 36 |
| 6.4.2.4.2.2 | 1,28 Mcps TDD option .....                                          | 37 |
| 6.4.2.5     | Test Requirements .....                                             | 37 |
| 6.4.2.5.1   | 3,84 Mcps TDD option .....                                          | 37 |
| 6.4.2.5.2   | 1,28 Mcps TDD option .....                                          | 37 |
| 6.4.3       | Power control dynamic range .....                                   | 38 |
| 6.4.3.1     | Definition and applicability .....                                  | 38 |
| 6.4.3.2     | Minimum Requirements .....                                          | 38 |
| 6.4.3.3     | Test purpose .....                                                  | 38 |
| 6.4.3.4     | Method of test .....                                                | 38 |
| 6.4.3.4.1   | Initial conditions .....                                            | 38 |
| 6.4.3.4.1.0 | General test conditions .....                                       | 38 |
| 6.4.3.4.1.1 | 3,84 Mcps TDD option .....                                          | 38 |

|             |                                                   |    |
|-------------|---------------------------------------------------|----|
| 6.4.3.4.1.2 | 1,28 Mcps TDD option .....                        | 39 |
| 6.4.3.4.2   | Procedure.....                                    | 39 |
| 6.4.3.4.2.1 | 3,84 Mcps TDD option .....                        | 39 |
| 6.4.3.4.2.2 | 1,28 Mcps TDD option .....                        | 40 |
| 6.4.3.5     | Test Requirements.....                            | 40 |
| 6.4.4       | Minimum output power .....                        | 40 |
| 6.4.4.1     | Definition and applicability.....                 | 40 |
| 6.4.4.2     | Minimum Requirements.....                         | 40 |
| 6.4.4.3     | Test purpose .....                                | 41 |
| 6.4.4.4     | Method of test .....                              | 41 |
| 6.4.4.4.1   | Initial conditions.....                           | 41 |
| 6.4.4.4.1.0 | General test conditions.....                      | 41 |
| 6.4.4.4.1.1 | 3,84 Mcps TDD option .....                        | 41 |
| 6.4.4.4.1.2 | 1,28 Mcps TDD option .....                        | 41 |
| 6.4.4.4.2   | Procedure.....                                    | 42 |
| 6.4.4.4.2.1 | 3,84 Mcps TDD option .....                        | 42 |
| 6.4.4.4.2.2 | 1,28 Mcps TDD option .....                        | 42 |
| 6.4.4.5     | Test Requirements.....                            | 42 |
| 6.4.5       | Primary CCPCH power .....                         | 43 |
| 6.4.5.1     | Definition and applicability.....                 | 43 |
| 6.4.5.2     | Minimum Requirements.....                         | 43 |
| 6.4.5.3     | Test purpose .....                                | 43 |
| 6.4.5.4     | Method of test .....                              | 43 |
| 6.4.5.4.1   | Initial conditions.....                           | 43 |
| 6.4.5.4.1.0 | General test conditions.....                      | 43 |
| 6.4.5.4.1.1 | 3,84 Mcps TDD option .....                        | 43 |
| 6.4.5.4.1.2 | 1,28 Mcps TDD option .....                        | 44 |
| 6.4.5.4.2   | Procedure.....                                    | 44 |
| 6.4.5.4.2.1 | 3,84 Mcps TDD option .....                        | 44 |
| 6.4.5.4.2.2 | 1,28 Mcps TDD option .....                        | 44 |
| 6.4.5.5     | Test Requirements.....                            | 44 |
| 6.4.6       | Differential accuracy of Primary CCPCH power..... | 45 |
| 6.4.6.1     | Definition and applicability.....                 | 45 |
| 6.4.6.2     | Minimum Requirements.....                         | 45 |
| 6.4.6.3     | Test purpose .....                                | 45 |
| 6.4.6.4     | Method of test .....                              | 45 |
| 6.4.6.4.1   | Initial conditions.....                           | 45 |
| 6.4.6.4.1.0 | General test conditions.....                      | 45 |
| 6.4.6.4.1.1 | 3,84 Mcps TDD option .....                        | 45 |
| 6.4.6.4.1.2 | 1,28 Mcps TDD option .....                        | 46 |
| 6.4.6.4.2   | Procedure.....                                    | 46 |
| 6.4.6.4.2.1 | 3,84 Mcps TDD option .....                        | 46 |
| 6.4.6.4.2.2 | 1,28 Mcps TDD option .....                        | 46 |
| 6.4.6.5     | Test Requirements.....                            | 46 |
| 6.5         | Transmit ON/OFF power .....                       | 47 |
| 6.5.1       | Transmit OFF power.....                           | 47 |
| 6.5.1.1     | Definition and applicability.....                 | 47 |
| 6.5.1.2     | Minimum Requirements.....                         | 47 |
| 6.5.1.2.1   | 3,84 Mcps TDD option .....                        | 47 |
| 6.5.1.2.2   | 1,28 Mcps TDD option.....                         | 47 |
| 6.5.1.3     | Test purpose .....                                | 47 |
| 6.5.1.4     | Method of test .....                              | 47 |
| 6.5.1.4.1   | Initial conditions.....                           | 47 |
| 6.5.1.4.2   | Procedure.....                                    | 47 |
| 6.5.1.5     | Test Requirements.....                            | 47 |
| 6.5.2       | Transmit ON/OFF time mask .....                   | 47 |
| 6.5.2.1     | Definition and applicability.....                 | 47 |
| 6.5.2.2     | Minimum Requirements.....                         | 48 |
| 6.5.2.2.1   | 3,84 Mcps TDD option.....                         | 48 |
| 6.5.2.2.2   | 1,28 Mcps TDD option.....                         | 48 |
| 6.5.2.3     | Test purpose .....                                | 48 |
| 6.5.2.4     | Method of test .....                              | 49 |

|               |                                                                                                           |    |
|---------------|-----------------------------------------------------------------------------------------------------------|----|
| 6.5.2.4.1     | Initial conditions.....                                                                                   | 49 |
| 6.5.2.4.1.0   | General test conditions.....                                                                              | 49 |
| 6.5.2.4.1.1   | 3,84 Mcps TDD option.....                                                                                 | 49 |
| 6.5.2.4.1.2   | 1,28 Mcps TDD option.....                                                                                 | 49 |
| 6.5.2.4.2     | Procedure.....                                                                                            | 49 |
| 6.5.2.4.2.1   | 3,84 Mcps TDD option.....                                                                                 | 49 |
| 6.5.2.4.2.2   | 1,28 Mcps TDD option.....                                                                                 | 50 |
| 6.5.2.5       | Test Requirements.....                                                                                    | 50 |
| 6.5.2.5.1     | 3,84 Mcps TDD option.....                                                                                 | 50 |
| 6.5.2.5.2     | 1,28 Mcps TDD option.....                                                                                 | 50 |
| 6.6           | Output RF spectrum emissions.....                                                                         | 50 |
| 6.6.1         | Occupied bandwidth.....                                                                                   | 50 |
| 6.6.1.1       | Definition and applicability.....                                                                         | 50 |
| 6.6.1.2       | Minimum Requirements.....                                                                                 | 50 |
| 6.6.1.2.1     | 3,84 Mcps TDD option.....                                                                                 | 50 |
| 6.6.1.2.2     | 1,28 Mcps TDD option.....                                                                                 | 50 |
| 6.6.1.3       | Test purpose.....                                                                                         | 50 |
| 6.6.1.4       | Method of test.....                                                                                       | 51 |
| 6.6.1.4.1     | Initial conditions.....                                                                                   | 51 |
| 6.6.1.4.1.0   | General test conditions.....                                                                              | 51 |
| 6.6.1.4.1.1   | 3,84 Mcps TDD option.....                                                                                 | 51 |
| 6.6.1.4.1.2   | 1,28 Mcps TDD option.....                                                                                 | 51 |
| 6.6.1.4.2     | Procedure.....                                                                                            | 51 |
| 6.6.1.4.2.1   | 3,84 Mcps TDD option.....                                                                                 | 51 |
| 6.6.1.4.2.2   | 1,28 Mcps TDD option.....                                                                                 | 52 |
| 6.6.1.5       | Test Requirements.....                                                                                    | 52 |
| 6.6.1.5.1     | 3,84 Mcps TDD option.....                                                                                 | 52 |
| 6.6.1.5.2     | 1,28 Mcps TDD option.....                                                                                 | 52 |
| 6.6.2         | Out of band emission.....                                                                                 | 52 |
| 6.6.2.1       | Spectrum emission mask.....                                                                               | 53 |
| 6.6.2.1.1     | Definition and applicability.....                                                                         | 53 |
| 6.6.2.1.1.1   | 3,84 Mcps TDD option.....                                                                                 | 53 |
| 6.6.2.1.1.2   | 1,28 Mcps TDD option.....                                                                                 | 53 |
| 6.6.2.1.2     | Minimum Requirements.....                                                                                 | 53 |
| 6.6.2.1.2.1   | 3,84 Mcps TDD option.....                                                                                 | 53 |
| 6.6.2.1.2.2   | 1,28 Mcps TDD option.....                                                                                 | 54 |
| 6.6.2.1.3     | Test purpose.....                                                                                         | 55 |
| 6.6.2.1.4     | Method of test.....                                                                                       | 56 |
| 6.6.2.1.4.1   | Initial conditions.....                                                                                   | 56 |
| 6.6.2.1.4.1.0 | General test conditions.....                                                                              | 56 |
| 6.6.2.1.4.1.1 | 3,84 Mcps TDD option.....                                                                                 | 56 |
| 6.6.2.1.4.1.2 | 1,28 Mcps TDD option.....                                                                                 | 56 |
| 6.6.2.1.4.2   | Procedure.....                                                                                            | 56 |
| 6.6.2.1.4.2.1 | 3,84 Mcps TDD option.....                                                                                 | 56 |
| 6.6.2.1.4.2.2 | 1,28 Mcps TDD option.....                                                                                 | 57 |
| 6.6.2.1.5     | Test Requirements.....                                                                                    | 57 |
| 6.6.2.1.5.1   | 3,84 Mcps TDD option.....                                                                                 | 57 |
| 6.6.2.1.5.2   | 1,28 Mcps TDD option.....                                                                                 | 58 |
| 6.6.2.2       | Adjacent Channel Leakage power Ratio (ACLR).....                                                          | 59 |
| 6.6.2.2.1     | Definition and applicability.....                                                                         | 59 |
| 6.6.2.2.2     | Minimum Requirements.....                                                                                 | 60 |
| 6.6.2.2.2.1   | Minimum requirement.....                                                                                  | 60 |
| 6.6.2.2.2.1.1 | 3,84 Mcps TDD option.....                                                                                 | 60 |
| 6.6.2.2.2.1.2 | 1,28 Mcps TDD option.....                                                                                 | 60 |
| 6.6.2.2.2.2   | Requirement in case of operation in proximity to TDD BS or FDD BS operating on an adjacent frequency..... | 60 |
| 6.6.2.2.2.2.1 | 3,84 Mcps TDD option.....                                                                                 | 60 |
| 6.6.2.2.2.2.2 | 1,28 Mcps TDD option.....                                                                                 | 60 |
| 6.6.2.2.2.3   | Requirement in case of co-sitting with TDD BS or FDD BS operating on an adjacent frequency.....           | 61 |
| 6.6.2.2.2.3.1 | 3,84 Mcps TDD option.....                                                                                 | 61 |
| 6.6.2.2.2.3.2 | 1,28 Mcps TDD option.....                                                                                 | 61 |

|               |                                             |    |
|---------------|---------------------------------------------|----|
| 6.6.2.2.3     | Test purpose .....                          | 62 |
| 6.6.2.2.4     | Method of test.....                         | 62 |
| 6.6.2.2.4.1   | Initial conditions .....                    | 62 |
| 6.6.2.2.4.1.0 | General test conditions .....               | 62 |
| 6.6.2.2.4.1.1 | 3,84 Mcps TDD option.....                   | 62 |
| 6.6.2.2.4.1.2 | 1,28 Mcps TDD option.....                   | 63 |
| 6.6.2.2.4.2   | Procedure .....                             | 63 |
| 6.6.2.2.4.2.1 | 3,84 Mcps TDD option.....                   | 63 |
| 6.6.2.2.4.2.2 | 1,28 Mcps TDD option.....                   | 63 |
| 6.6.2.2.5     | Test Requirements .....                     | 64 |
| 6.6.2.2.5.1   | 3,84 Mcps TDD option .....                  | 64 |
| 6.6.2.2.5.2   | 1,28 Mcps TDD option .....                  | 64 |
| 6.6.3         | Spurious emissions .....                    | 65 |
| 6.6.3.1       | Definition and applicability.....           | 65 |
| 6.6.3.2       | Minimum Requirements.....                   | 65 |
| 6.6.3.2.1     | Mandatory requirements.....                 | 65 |
| 6.6.3.2.1.1   | Spurious emissions (Category A) .....       | 65 |
| 6.6.3.2.1.1.1 | 3,84 Mcps TDD option.....                   | 65 |
| 6.6.3.2.1.1.2 | 1,28 Mcps TDD option.....                   | 66 |
| 6.6.3.2.1.2   | Spurious emissions (Category B).....        | 66 |
| 6.6.3.2.1.2.1 | 3,84 Mcps TDD option.....                   | 66 |
| 6.6.3.2.1.2.2 | 1,28 Mcps TDD option.....                   | 67 |
| 6.6.3.2.2     | Co-existence with GSM .....                 | 68 |
| 6.6.3.2.2.1   | Operation in the same geographic area ..... | 68 |
| 6.6.3.2.2.2   | Co-located base stations.....               | 69 |
| 6.6.3.2.3     | Co-existence with DCS 1800 .....            | 69 |
| 6.6.3.2.3.1   | Operation in the same geographic area ..... | 69 |
| 6.6.3.2.3.2   | Co-located base stations.....               | 69 |
| 6.6.3.2.4     | Co-existence with UTRA FDD .....            | 69 |
| 6.6.3.2.4.1   | Operation in the same geographic area ..... | 69 |
| 6.6.3.2.4.2   | Co-located base stations.....               | 70 |
| 6.6.3.3       | Test purpose .....                          | 70 |
| 6.6.3.3.1     | 3,84 Mcps TDD option.....                   | 70 |
| 6.6.3.3.2     | 1,28 Mcps TDD option.....                   | 70 |
| 6.6.3.4       | Method of test .....                        | 70 |
| 6.6.3.4.1     | Initial conditions.....                     | 70 |
| 6.6.3.4.1.0   | General test conditions.....                | 70 |
| 6.6.3.4.1.1   | 3,84 Mcps TDD option .....                  | 70 |
| 6.6.3.4.1.2   | 1,28 Mcps TDD option .....                  | 71 |
| 6.6.3.4.2     | Procedure.....                              | 71 |
| 6.6.3.5       | Test Requirements.....                      | 71 |
| 6.7           | Transmit intermodulation .....              | 71 |
| 6.7.1         | Definition and applicability .....          | 71 |
| 6.7.1.1       | 3,84 Mcps TDD option .....                  | 72 |
| 6.7.1.2       | 1,28 Mcps TDD option .....                  | 72 |
| 6.7.2         | Minimum Requirements .....                  | 72 |
| 6.7.3         | Test purpose.....                           | 72 |
| 6.7.4         | Method of test .....                        | 72 |
| 6.7.4.1       | Initial conditions .....                    | 72 |
| 6.7.4.1.0     | General test conditions .....               | 72 |
| 6.7.4.1.1     | 3,84 Mcps TDD option.....                   | 72 |
| 6.7.4.1.2     | 1,28 Mcps TDD option.....                   | 73 |
| 6.7.4.2       | Procedure .....                             | 74 |
| 6.7.5         | Test Requirements .....                     | 74 |
| 6.8           | Transmit Modulation.....                    | 74 |
| 6.8.1         | Modulation accuracy.....                    | 74 |
| 6.8.1.1       | Definition and applicability.....           | 74 |
| 6.8.1.2       | Minimum Requirements.....                   | 75 |
| 6.8.1.3       | Test purpose .....                          | 75 |
| 6.8.1.4       | Method of test .....                        | 75 |
| 6.8.1.4.1     | Initial conditions.....                     | 75 |
| 6.8.1.4.1.0   | General test conditions.....                | 75 |



|             |                                         |    |
|-------------|-----------------------------------------|----|
| 6.8.1.4.1.1 | 3,84 Mcps TDD option .....              | 75 |
| 6.8.1.4.1.2 | 1,28 Mcps TDD option .....              | 75 |
| 6.8.1.4.2   | Procedure.....                          | 76 |
| 6.8.1.5     | Test Requirements.....                  | 76 |
| 6.8.2       | Peak code domain error .....            | 76 |
| 6.8.2.1     | Definition and applicability.....       | 76 |
| 6.8.2.2     | Minimum Requirements.....               | 76 |
| 6.8.2.3     | Test purpose .....                      | 76 |
| 6.8.2.4     | Method of test .....                    | 76 |
| 6.8.2.4.1   | Initial conditions .....                | 76 |
| 6.8.2.4.1.0 | General test conditions.....            | 76 |
| 6.8.2.4.1.1 | 3,84 Mcps TDD option .....              | 76 |
| 6.8.2.4.1.2 | 1,28 Mcps TDD option .....              | 77 |
| 6.8.2.4.2   | Procedure.....                          | 77 |
| 6.8.2.5     | Test Requirements.....                  | 77 |
| 7           | Receiver characteristics .....          | 77 |
| 7.1         | General .....                           | 77 |
| 7.2         | Reference sensitivity level.....        | 78 |
| 7.2.1       | Definition and applicability .....      | 78 |
| 7.2.2       | Minimum Requirements .....              | 78 |
| 7.2.2.1     | 3,84 Mcps TDD option .....              | 78 |
| 7.2.2.2     | 1,28 Mcps option.....                   | 78 |
| 7.2.3       | Test purpose.....                       | 78 |
| 7.2.4       | Method of test .....                    | 78 |
| 7.2.4.1     | Initial conditions .....                | 78 |
| 7.2.4.1.0   | General test requirements .....         | 78 |
| 7.2.4.1.1   | 3,84 Mcps TDD option.....               | 79 |
| 7.2.4.1.2   | 1,28 Mcps TDD option.....               | 79 |
| 7.2.4.2     | Procedure .....                         | 79 |
| 7.2.5       | Test Requirements .....                 | 79 |
| 7.2.5.1     | 3,84 Mcps TDD option .....              | 79 |
| 7.2.5.2     | 1,28 Mcps TDD option .....              | 79 |
| 7.3         | Dynamic range .....                     | 80 |
| 7.3.1       | Definition and applicability .....      | 80 |
| 7.3.2       | Minimum Requirements .....              | 80 |
| 7.3.2.1     | 3,84 Mcps TDD option .....              | 80 |
| 7.3.2.2     | 1,28 Mcps TDD option .....              | 80 |
| 7.3.3       | Test purpose.....                       | 80 |
| 7.3.4       | Method of test .....                    | 80 |
| 7.3.4.1     | Initial conditions .....                | 80 |
| 7.3.4.1.0   | General test conditions .....           | 80 |
| 7.3.4.1.1   | 3,84 Mcps TDD option.....               | 81 |
| 7.3.4.1.2   | 1,28 Mcps TDD option.....               | 81 |
| 7.3.4.2     | Procedure .....                         | 81 |
| 7.3.5       | Test Requirements .....                 | 81 |
| 7.3.5.1     | 3,84 Mcps TDD option .....              | 81 |
| 7.3.5.2     | 1,28 Mcps TDD option .....              | 82 |
| 7.4         | Adjacent Channel Selectivity (ACS)..... | 82 |
| 7.4.1       | Definition and applicability .....      | 82 |
| 7.4.2       | Minimum Requirements .....              | 82 |
| 7.4.2.1     | 3,84 Mcps TDD option .....              | 82 |
| 7.4.2.2     | 1,28 Mcps TDD option .....              | 82 |
| 7.4.3       | Test purpose.....                       | 83 |
| 7.4.4       | Method of test .....                    | 83 |
| 7.4.4.1     | Initial conditions .....                | 83 |
| 7.4.4.1.0   | General test conditions .....           | 83 |
| 7.4.4.1.1   | 3,84 Mcps TDD option.....               | 83 |
| 7.4.4.1.2   | 1,28 Mcps TDD option.....               | 83 |
| 7.4.4.2     | Procedure .....                         | 83 |
| 7.4.4.2.1   | 3,84 Mcps TDD option.....               | 83 |
| 7.4.4.2.2   | 1,28 Mcps TDD option.....               | 84 |

|             |                                                     |    |
|-------------|-----------------------------------------------------|----|
| 7.4.5       | Test Requirements .....                             | 84 |
| 7.5         | Blocking characteristics .....                      | 84 |
| 7.5.1       | Definition and applicability .....                  | 84 |
| 7.5.1.1     | 3,84 Mcps TDD option .....                          | 84 |
| 7.5.1.2     | 1,28 Mcps TDD option .....                          | 84 |
| 7.5.2       | Minimum Requirements .....                          | 85 |
| 7.5.2.1     | 3,84 Mcps TDD option .....                          | 85 |
| 7.5.2.1.1   | General requirements.....                           | 85 |
| 7.5.2.1.2   | Co-location with GSM900 and/or DCS 1800.....        | 85 |
| 7.5.2.2     | 1,28 Mcps TDD option .....                          | 86 |
| 7.5.2.2.1   | General requirements.....                           | 86 |
| 7.5.2.2.2   | Co-location with GSM900 and/or DCS 1800.....        | 87 |
| 7.5.3       | Test purpose.....                                   | 87 |
| 7.5.3.1     | 3,84 Mcps TDD option .....                          | 87 |
| 7.5.3.2     | 1,28 Mcps TDD option .....                          | 87 |
| 7.5.4       | Method of test .....                                | 87 |
| 7.5.4.1     | Initial conditions .....                            | 87 |
| 7.5.4.2     | Procedure .....                                     | 88 |
| 7.5.4.2.1   | 3,84 Mcps TDD option.....                           | 88 |
| 7.5.4.2.2   | 1,28 Mcps TDD option.....                           | 88 |
| 7.5.5       | Test Requirements .....                             | 88 |
| 7.6         | Intermodulation characteristics .....               | 89 |
| 7.6.1       | Definition and applicability .....                  | 89 |
| 7.6.2       | Minimum Requirements .....                          | 89 |
| 7.6.2.1     | 3,84 Mcps TDD option .....                          | 89 |
| 7.6.2.2     | 1,28 Mcps TDD option .....                          | 89 |
| 7.6.3       | Test purpose.....                                   | 89 |
| 7.6.4       | Method of test .....                                | 90 |
| 7.6.4.1     | Initial conditions .....                            | 90 |
| 7.6.4.2     | Procedure .....                                     | 90 |
| 7.6.4.2.1   | 3,84 Mcps TDD option.....                           | 90 |
| 7.6.4.2.2   | 1,28 Mcps TDD option.....                           | 90 |
| 7.6.5       | Test Requirements .....                             | 90 |
| 7.7         | Spurious emissions .....                            | 91 |
| 7.7.1       | Definition and applicability .....                  | 91 |
| 7.7.2       | Minimum Requirements .....                          | 91 |
| 7.7.2.1     | 3,84 Mcps TDD option .....                          | 91 |
| 7.7.2.2     | 1,28 Mcps TDD option .....                          | 91 |
| 7.7.3       | Test purpose.....                                   | 92 |
| 7.7.4       | Method of test .....                                | 92 |
| 7.7.4.1     | Initial conditions .....                            | 92 |
| 7.7.4.1.0   | General test conditions .....                       | 92 |
| 7.7.4.1.1   | 3,84 Mcps TDD option.....                           | 92 |
| 7.7.4.1.2   | 1,28 Mcps TDD option.....                           | 93 |
| 7.7.4.2     | Procedure .....                                     | 93 |
| 7.7.4.2.1   | 3,84 Mcps TDD option.....                           | 93 |
| 7.7.4.2.2   | 1,28 Mcps TDD option.....                           | 93 |
| 7.7.5       | Test Requirements .....                             | 94 |
| 8           | Performance requirements.....                       | 94 |
| 8.1         | General .....                                       | 94 |
| 8.2         | Demodulation in static propagation conditions ..... | 94 |
| 8.2.1       | Demodulation of DCH.....                            | 94 |
| 8.2.1.1     | Definition and applicability.....                   | 94 |
| 8.2.1.2     | Minimum Requirements.....                           | 95 |
| 8.2.1.2.1   | 3,84 Mcps TDD option.....                           | 95 |
| 8.2.1.2.2   | 1,28 Mcps TDD option.....                           | 95 |
| 8.2.1.3     | Test purpose .....                                  | 96 |
| 8.2.1.4     | Method of test .....                                | 96 |
| 8.2.1.4.1   | Initial conditions .....                            | 96 |
| 8.2.1.4.1.0 | General test conditions.....                        | 96 |
| 8.2.1.4.1.1 | 3,84 Mcps TDD option .....                          | 96 |

|                                                        |                                                          |            |
|--------------------------------------------------------|----------------------------------------------------------|------------|
| 8.2.1.4.1.2                                            | 1,28 Mcps TDD option .....                               | 96         |
| 8.2.1.4.2                                              | Procedure.....                                           | 96         |
| 8.2.1.4.2.1                                            | 3,84 Mcps TDD option .....                               | 96         |
| 8.2.1.4.2.2                                            | 1,28 Mcps TDD option .....                               | 97         |
| 8.2.1.5                                                | Test Requirements.....                                   | 97         |
| 8.2.1.5.1                                              | 3,84 Mcps TDD option .....                               | 97         |
| 8.2.1.5.2                                              | 1,28 Mcps TDD option.....                                | 98         |
| 8.3                                                    | Demodulation of DCH in multipath fading conditions ..... | 98         |
| 8.3.1                                                  | Multipath fading Case 1 .....                            | 98         |
| 8.3.1.1                                                | Definition and applicability.....                        | 98         |
| 8.3.1.2                                                | Minimum Requirements.....                                | 98         |
| 8.3.1.2.1                                              | 3,84 Mcps TDD option.....                                | 98         |
| 8.3.1.2.2                                              | 1,28 Mcps TDD option.....                                | 98         |
| 8.3.1.3                                                | Test purpose .....                                       | 99         |
| 8.3.1.4                                                | Method of test .....                                     | 99         |
| 8.3.1.4.1                                              | Initial conditions.....                                  | 99         |
| 8.3.1.4.1.0                                            | General test conditions.....                             | 99         |
| 8.3.1.4.1.1                                            | 3,84 Mcps TDD option .....                               | 99         |
| 8.3.1.4.1.2                                            | 1,28 Mcps TDD option .....                               | 100        |
| 8.3.1.4.2                                              | Procedure.....                                           | 100        |
| 8.3.1.4.2.1                                            | 3,84 Mcps TDD option .....                               | 100        |
| 8.3.1.4.2.2                                            | 1,28 Mcps TDD option .....                               | 100        |
| 8.3.1.5                                                | Test Requirements.....                                   | 101        |
| 8.3.1.5.1                                              | 3,84 Mcps TDD option.....                                | 101        |
| 8.3.1.5.2                                              | 1,28 Mcps TDD option.....                                | 101        |
| 8.3.2                                                  | Multipath fading Case 2.....                             | 101        |
| 8.3.2.1                                                | Definition and applicability.....                        | 101        |
| 8.3.2.2                                                | Minimum Requirements.....                                | 101        |
| 8.3.2.2.1                                              | 3,84 Mcps TDD option.....                                | 101        |
| 8.3.2.2.2                                              | 1,28 Mcps option.....                                    | 102        |
| 8.3.2.3                                                | Test purpose .....                                       | 102        |
| 8.3.2.4                                                | Method of test .....                                     | 103        |
| 8.3.2.4.1                                              | Initial conditions .....                                 | 103        |
| 8.3.2.4.1.0                                            | General test conditions.....                             | 103        |
| 8.3.2.4.1.1                                            | 3,84 Mcps TDD option .....                               | 103        |
| 8.3.2.4.1.2                                            | 1,28 Mcps TDD option .....                               | 103        |
| 8.3.2.4.2                                              | Procedure.....                                           | 103        |
| 8.3.2.4.2.1                                            | 3,84 Mcps TDD option .....                               | 103        |
| 8.3.2.4.2.2                                            | 1,28 Mcps TDD option .....                               | 104        |
| 8.3.2.5                                                | Test Requirements.....                                   | 104        |
| 8.3.2.5.1                                              | 3,84 Mcps TDD option .....                               | 104        |
| 8.3.2.5.2                                              | 1,28 Mcps TDD option.....                                | 105        |
| 8.3.3                                                  | Multipath fading Case 3.....                             | 105        |
| 8.3.3.1                                                | Definition and applicability.....                        | 105        |
| 8.3.3.2                                                | Minimum Requirements.....                                | 105        |
| 8.3.3.2.1                                              | 3,84 Mcps TDD option.....                                | 105        |
| 8.3.3.2.2                                              | 1,28 Mcps TDD option.....                                | 105        |
| 8.3.3.3                                                | Test purpose .....                                       | 106        |
| 8.3.3.4                                                | Method of test .....                                     | 106        |
| 8.3.3.4.1                                              | Initial conditions.....                                  | 106        |
| 8.3.3.4.1.0                                            | General test conditions.....                             | 106        |
| 8.3.3.4.1.1                                            | 3,84 Mcps TDD option .....                               | 106        |
| 8.3.3.4.1.2                                            | 1,28 Mcps TDD option .....                               | 107        |
| 8.3.3.4.2                                              | Procedure.....                                           | 107        |
| 8.3.3.4.2.1                                            | 3,84 Mcps TDD option .....                               | 107        |
| 8.3.3.4.2.2                                            | 1,28 Mcps TDD option .....                               | 107        |
| 8.3.3.5                                                | Test Requirements.....                                   | 108        |
| 8.3.3.5.1                                              | 3,84 Mcps TDD option.....                                | 108        |
| 8.3.3.5.2                                              | 1,28 Mcps TDD option.....                                | 108        |
| <b>Annex A (normative): Measurement Channels .....</b> |                                                          | <b>109</b> |

|                                                                              |                                                                 |            |
|------------------------------------------------------------------------------|-----------------------------------------------------------------|------------|
| A.1                                                                          | General .....                                                   | 109        |
| A.2                                                                          | Reference measurement channel .....                             | 109        |
| A.2.1                                                                        | UL reference measurement channel (12.2 kbps) .....              | 109        |
| A.2.1.1                                                                      | 3,84 Mcps TDD option .....                                      | 109        |
| A.2.1.2                                                                      | 1,28 Mcps option .....                                          | 111        |
| A.2.2                                                                        | UL reference measurement channel (64 kbps) .....                | 112        |
| A.2.2.1                                                                      | 3,84 Mcps TDD option .....                                      | 112        |
| A.2.2.2                                                                      | 1,28 Mcps TDD option .....                                      | 113        |
| A.2.3                                                                        | UL reference measurement channel (144 kbps) .....               | 114        |
| A.2.3.1                                                                      | 3,84 Mcps TDD option .....                                      | 114        |
| A.2.3.2                                                                      | 1,28 Mcps TDD option .....                                      | 115        |
| A.2.4                                                                        | UL reference measurement channel (384 kbps) .....               | 116        |
| A.2.4.1                                                                      | 3,84 Mcps TDD option .....                                      | 116        |
| A.2.4.2                                                                      | 1,28 Mcps TDD option .....                                      | 117        |
| A.2.5                                                                        | RACH reference measurement channel .....                        | 118        |
| A.2.5.1                                                                      | 3,84 Mcps TDD option .....                                      | 118        |
| A.2.5.1.1                                                                    | RACH mapped to 1 code SF16 .....                                | 118        |
| A.2.5.1.2                                                                    | RACH mapped to 1 code SF8 .....                                 | 119        |
| A.2.5.2                                                                      | 1,28 Mcps TDD option .....                                      | 119        |
| A.2.5.2.1                                                                    | RACH mapped to 1 code SF16 .....                                | 120        |
| A.2.5.2.2                                                                    | RACH mapped to 1 code SF8 .....                                 | 120        |
| A.2.5.2.3                                                                    | RACH mapped to 1 code SF4 .....                                 | 121        |
| <b>Annex B (normative): Propagation conditions .....</b>                     |                                                                 | <b>122</b> |
| B.1                                                                          | Static propagation condition .....                              | 122        |
| B.2                                                                          | Multi-path fading propagation conditions .....                  | 122        |
| B.2.1                                                                        | 3,84 Mcps TDD option .....                                      | 122        |
| B.2.2                                                                        | 1,28 Mcps TDD option .....                                      | 122        |
| <b>Annex C (normative): Global in-channel Tx test.....</b>                   |                                                                 | <b>123</b> |
| C.1                                                                          | General .....                                                   | 123        |
| C.2                                                                          | Definition of the process .....                                 | 123        |
| C.2.1                                                                        | Basic principle .....                                           | 123        |
| C.2.2                                                                        | Output signal of the Tx under test .....                        | 123        |
| C.2.3                                                                        | Reference signal .....                                          | 123        |
| C.2.4                                                                        | Classification of measurement results .....                     | 124        |
| C.2.5                                                                        | Process definition to achieve results of type "deviation" ..... | 124        |
| C.2.6                                                                        | Process definition to achieve results of type "residual" .....  | 124        |
| C.2.6.1                                                                      | Error Vector Magnitude (EVM) .....                              | 125        |
| C.2.6.2                                                                      | Peak Code Domain Error (PCDE) .....                             | 125        |
| C.3                                                                          | Applications .....                                              | 125        |
| C.4                                                                          | Notes .....                                                     | 126        |
| <b>Annex D (informative): Derivation of Test Requirements.....</b>           |                                                                 | <b>127</b> |
| <b>Annex E (informative): Acceptable uncertainty of Test Equipment .....</b> |                                                                 | <b>131</b> |
| <b>Annex F (informative): Change history .....</b>                           |                                                                 | <b>133</b> |
| History .....                                                                |                                                                 | 136        |

---

# Foreword

This Technical Specification has been produced by the 3GPP.

The contents of the present document are subject to continuing work within the TSG and may change following formal TSG approval. Should the TSG modify the contents of this TS, it will be re-released by the TSG with an identifying change of release date and an increase in version number as follows:

Version x.y.z

where:

- x the first digit:
  - 1 presented to TSG for information;
  - 2 presented to TSG for approval;
  - 3 Indicates TSG approved document under change control.
- y the second digit is incremented for all changes of substance, i.e. technical enhancements, corrections, updates, etc.
- z the third digit is incremented when editorial only changes have been incorporated in the specification.

---

# 1 Scope

The present document specifies the Radio Frequency (RF) test methods and conformance requirements for UTRA Base Stations (BS) operating in the TDD mode. These have been derived from, and are consistent with, the UTRA base station (BS) specifications defined in 3GPP TS 25.105 [1]. The document covers both options of the TDD mode, which are the 3,84 Mcps and the 1,28 Mcps options respectively. The requirements are listed in different subsections only if the parameters deviate.

In this TS, the reference point for RF connections (except for the measurement of mean transmitted RF carrier power) is the antenna connector, as defined by the manufacturer. This TS does not apply to repeaters or RF devices which may be connected to an antenna connector of a BS.

---

# 2 References

The following documents contain provisions which, through reference in this text, constitute provisions of the present document.

- References are either specific (identified by date of publication, edition number, version number, etc.) or non-specific.
- For a specific reference, subsequent revisions do not apply.
- For a non-specific reference, the latest version applies. In the case of a reference to a 3GPP document (including a GSM document), a non-specific reference implicitly refers to the latest version of that document in the same Release as the present document.
- A non-specific reference to an ETS shall also be taken to refer to later versions published as an EN with the same number.

- [1] 3GPP TS 25.105: "UTRA (BS) TDD: Radio transmission and reception".
- [2] IEC 60721-3-3 (1994): "Classification of environmental conditions - Part 3: Classification of groups of environmental parameters and their severities - Section 3: Stationary use at weather protected locations"
- [3] IEC 60721-3-4 (1995): "Classification of environmental conditions - Part 3: Classification of groups of environmental parameters and their severities - Section 4: Stationary use at non-weather protected locations".
- [4] IEC 60068-2-1 (1990): "Environmental testing - Part 2: Tests. Tests A: Cold".
- [5] ETR 028: "Uncertainties in the measurement of mobile radio equipment characteristics".
- [6] Recommendation ITU-R SM.329-8: "Spurious emissions".
- [7] Recommendation ITU-R SM.328-9: "Spectra and bandwidth of emissions".
- [8] IEC 60068-2-6 (1995): "Environmental testing - Part 2: Tests - Test Fc: Vibration (sinusoidal)".

---

# 3 Definitions, symbols, and abbreviations

## 3.1 Definitions

**Average power:** The thermal power as measured through a root raised cosine filter with roll-off  $\alpha = 0,22$  and a bandwidth equal to the chip rate of the radio access mode. The period of measurement shall be a transmit timeslot excluding the guard period, unless otherwise stated.

**Maximum output power, P<sub>max</sub>:** The maximum output power of the base station per carrier measured at the antenna connector (i.e. the actual broadband power as would be measured assuming no measurement error) for a specified reference condition. The period of measurement shall be a transmit timeslot excluding the guard period.

**Rated output power, PRAT:** The output power that the manufacturer has declared to be available.

## 3.2 Symbols

For the purposes of the present document, the following symbols apply:

$\alpha$  Roll-off factor

## 3.3 Abbreviations

For the purposes of the present document, the following and abbreviations apply:

|                               |                                                                                                                                                 |
|-------------------------------|-------------------------------------------------------------------------------------------------------------------------------------------------|
| 3GPP                          | 3rd Generation Partnership Project                                                                                                              |
| AWGN                          | Additive White Gaussian Noise                                                                                                                   |
| dB                            | decibel                                                                                                                                         |
| dBm                           | decibel relative to 1 milliWatt                                                                                                                 |
| DPCH <sub>o</sub>             | Mechanism used to simulate an individual intracell interferer in the cell with one code and a spreading factor of 16                            |
| $\frac{DPCH_o - E_c}{I_{or}}$ | Ratio of the average transmit energy per PN chip for the DPCH <sub>o</sub> to the total transmit power                                          |
| EVM                           | spectral density of all users in the cell in one timeslot as measured at the BS antenna connector<br>Error Vector Magnitude                     |
| F                             | Frequency (of the assigned channel frequency of the wanted signal)                                                                              |
| F <sub>w</sub>                | Frequency offset of the unwanted interfering signal from the assigned channel frequency of the wanted signal                                    |
| IMT-2000                      | International Mobile Telecommunications 2000                                                                                                    |
| I <sub>oc</sub>               | Power spectral density of a band limited white noise source (simulating interference form other cells) as measured at the BS antenna connector. |
| $\hat{I}_{or}$                | Received power spectral density of all users in the cell in one timeslot as measured at the BS antenna connector                                |
| IPR                           | Intellectual Property Rights                                                                                                                    |
| P                             | Output power                                                                                                                                    |
| P <sub>out</sub>              | Output power of the base station                                                                                                                |
| P <sub>max</sub>              | Maximum output power of the base station                                                                                                        |
| RBER                          | Residual BER                                                                                                                                    |
| REFSENS                       | Reference Sensitivity Level                                                                                                                     |
| RMS                           | Root-Mean Square                                                                                                                                |
| PRAT                          | Rated output power of the base station                                                                                                          |
| RRC                           | Root-Raised Cosine                                                                                                                              |
| T <sub>c</sub>                | Chip duration                                                                                                                                   |
| TS                            | Time Slot                                                                                                                                       |

---

# 4 Frequency bands and channel arrangement

## 4.1 General

The information presented in this section is based on a chip rate of 3,84 Mcps and 1,28 Mcps respectively.

NOTE: Other chip rates may be considered in future releases.

## 4.2 Frequency bands

UTRA/TDD is designed to operate in the following bands:

- a) 1900 – 1920 MHz: Uplink and downlink transmission  
2010 – 2025 MHz Uplink and downlink transmission
- b)\*1850 – 1910 MHz: Uplink and downlink transmission  
1930 – 1990 MHz: Uplink and downlink transmission
- c)\*1910 – 1930 MHz: Uplink and downlink transmission

\* Used in ITU Region 2

Additional allocations in ITU region 2 are FFS.

Deployment in existing and other frequency bands is not precluded.

The co-existence of TDD and FDD in the same bands is still under study in WG4.

## 4.3 TX–RX frequency separation

### 4.3.1 3,84 Mcps TDD option

No TX-RX frequency separation is required as Time Division Duplex (TDD) is employed. Each TDMA frame consists of 15 timeslots where each timeslot can be allocated to either transmit or receive.

### 4.3.2 1,28 Mcps TDD option

No TX-RX frequency separation is required as Time Division Duplex (TDD) is employed. Each subframe consists of 7 main timeslots where all main timeslots (at least the first one) before the single switching point are allocated UL and all main timeslots (at least the last one) after the single switching point are allocated DL.

## 4.4 Channel arrangement

### 4.4.1 Channel spacing

#### 4.4.1.1 3,84 Mcps TDD option

The nominal channel spacing is 5 MHz, but this can be adjusted to optimise performance in a particular deployment scenario.

#### 4.4.1.2 1,28 Mcps TDD option

The nominal channel spacing is 1,6 MHz, but this can be adjusted to optimise performance in a particular deployment scenario.

### 4.4.2 Channel raster

The channel raster is 200 kHz, which means that the carrier frequency must be a multiple of 200 kHz.

### 4.4.3 Channel number

The carrier frequency is designated by the UTRA absolute radio frequency channel number (UARFCN). The value of the UARFCN in the IMT2000 band is defined as follows:



$$N_t = 5 * F \text{ MHz}$$

$$0,0 \leq F \leq 3276,6 \text{ MHz}$$

where F is the carrier frequency in MHz

---

## 5 General test conditions and declarations

The requirements of this clause apply to all applicable tests in this TS.

Many of the tests in this TS measure a parameter relative to a value that is not fully specified in the UTRA specifications. For these tests, the Minimum Requirement is determined relative to a nominal value specified by the manufacturer.

Certain functions of a BS are optional in the UTRA specifications. Some requirements for the BS may be regional as listed in subclause 5.17.

When specified in a test, the manufacturer shall declare the nominal value of a parameter, or whether an option is supported.

### 5.1 Base station classes

The requirements in this specification apply to base stations intended for general-purpose applications in co-ordinated network operation.

In future, further classes of base stations may be defined; the requirements for these may be different than for general-purpose applications.

### 5.2 Output power

The manufacturer shall declare the rated output power, PRAT, of the base station. PRAT is defined in subclause 3.1.

### 5.3 Specified frequency range

The manufacturer shall declare:

- which of the frequency bands defined in sub-clause 4.2 is supported by the BS.
- the frequency range within the above frequency band(s) supported by the BS. As TDD is employed, the same frequency range is used for transmit and receive operation.

Many tests in this TS are performed with appropriate frequencies in the bottom, middle and top of the operating frequency band of the BS. These are denoted as RF channels B (bottom), M (middle) and T (top).

When a test is performed by a test laboratory, the UARFCNs to be used for RF channels B, M and T shall be specified by the laboratory. The laboratory may consult with operators, the manufacturer or other bodies.

When a test is performed by a manufacturer, the UARFCNs to be used for RF channels B, M and T may be specified by an operator.

### 5.4 Relationship between RF generation and chip clock

The manufacturer shall declare compliance with the requirement that the BS shall use the same frequency source for both RF generation and the chip clock.

### 5.5 Spectrum emission mask

The manufacturer shall declare whether the BS under test is intended to operate in regions where conformance to the spectrum emission mask defined in subclause 6.6.2.1.2 is mandatory. If so, the conformance test for spectrum emission mask specified in subclause 6.6.2.1 shall be performed; otherwise, this test is not required.

## 5.6 Adjacent Channel Leakage power Ratio (ACLR)

The manufacturer shall declare:

- whether the BS under test is intended to operate in proximity to another TDD BS or FDD BS operating on the first or second adjacent frequency. If so, conformance with the ACLR requirement specified in subclause 6.6.2.2.2 is mandatory; otherwise, this requirement needs not to be tested.
- whether the BS under test is intended to operate co-sited to another TDD BD or FDD BS operating on the first or second adjacent frequency. If so, conformance with the ACLR requirement specified in subclause 6.6.2.2.3 is mandatory; otherwise, this requirement needs not to be tested.

## 5.7 Tx spurious emissions

### 5.7.1 Category of spurious emissions limit

The manufacturer shall declare one of the following:

- a) the BS shall be tested against Category A limits for spurious emissions, as defined in ITU-R Recommendation SM.329-8 [6].

or

- b) the BS shall be tested against Category B limits for spurious emissions, as defined in ITU-R Recommendation SM.329-8 [6].

If the manufacturer declares Category A limits to be applicable, conformance with the spurious emissions requirements specified in subclause 6.6.3.2.1.1 is mandatory, and the requirements specified in subclause 6.6.3.2.1.2 need not to be tested.

If the manufacturer declares Category B limits to be applicable, conformance with the spurious emissions requirements specified in subclause 6.6.3.2.1.2 is mandatory, and the requirements specified in subclause 6.6.3.2.1.1 need not to be tested.

### 5.7.2 Co-existence with GSM

The manufacturer shall declare:

- whether the BS under test is intended to operate in geographic areas in which also GSM 900 is deployed. If so, compliance with the conformance requirement specified in subclause 6.6.3.2.2.1 is mandatory; otherwise, this requirement needs not to be tested.
- whether the BS under test is intended to operate co-located with a GSM 900 BTS. If so, compliance with the conformance requirement specified in subclause 6.6.3.2.2.2 is mandatory; otherwise, this requirement needs not to be tested.

### 5.7.3 Co-existence with DCS 1800

The manufacturer shall declare:

- whether the BS under test is intended to operate in geographic areas in which also DCS 1800 is deployed. If so, compliance with the conformance requirement specified in subclause 6.6.3.2.3.1 is mandatory; otherwise, this requirement needs not to be tested.
- whether the BS under test is intended to operate co-located with a DCS 1800 BTS. If so, compliance with the conformance requirement specified in subclause 6.6.3.2.3.2 is mandatory; otherwise, this requirement needs not to be tested.

### 5.7.4 Co-existence with UTRA FDD

The manufacturer shall declare:

whether the BS under test is intended to operate in geographic areas in which also UTRA FDD is deployed. If so, compliance with the conformance requirement specified in subclause 6.6.3.2.4.1 is mandatory; otherwise, this requirement needs not to be tested.

- whether the BS under test is intended to operate co-located with a UTRA FDD BS. If so, compliance with the conformance requirement specified in subclause 6.6.3.2.4.2 is mandatory; otherwise, this requirement needs not to be tested.

## 5.8 Blocking characteristics

The conformance requirements with respect to the parameter blocking characteristics are dependent on the operating frequency bands of the BS under test; see subclause 7.5.2. However, the need for a manufacturer's declaration of the frequency bands supported by the BS is already covered by subclause 5.3. The relationship between the frequency bands supported by the BS and the mandatory blocking requirements is given in table 5.1.

**Table 5.1: Relationship between the frequency bands supported by the BS and the mandatory blocking requirements**

| Supported frequency band according to manufacturer's declaration | Mandatory blocking requirement |
|------------------------------------------------------------------|--------------------------------|
| subclause 4.2a)                                                  | table 7.6                      |
| subclause 4.2b)                                                  | table 7.7                      |
| subclause 4.2c)                                                  | table 7.8                      |

In addition, the manufacturer shall declare:

- whether the BS under test is intended to operate co-located with a GSM 900 BTS or a DCS 1800 BTS. If so, compliance with the conformance requirement specified in table 7.9 or 7.10, respectively, is mandatory; otherwise, this requirement needs not to be tested.

## 5.9 Test environments

For each test in this TS, the environmental conditions under which the BS is to be tested are defined.

### 5.9.1 Normal test environment

When a normal test environment is specified for a test, the test should be performed under any combination of conditions between the minimum and maximum limits stated in table 5.2.

**Table 5.2: Limits of conditions for Normal Test Environment**

| Condition           | Minimum                                  | Maximum |
|---------------------|------------------------------------------|---------|
| Barometric pressure | 86 kPa                                   | 106 kPa |
| Temperature         | 15°C                                     | 30°C    |
| Relative Humidity   | 20 %                                     | 85 %    |
| Power supply        | Nominal, as declared by the manufacturer |         |
| Vibration           | Negligible                               |         |

The ranges of barometric pressure, temperature and humidity represent the maximum variation expected in the uncontrolled environment of a test laboratory. If it is not possible to maintain these parameters within the specified limits, the actual values shall be recorded in the test report.

- NOTE: This may, for instance, be the case for measurements of radiated emissions performed on an open field test site.

## 5.9.2 Extreme test environment

The manufacturer shall declare one of the following:

- a) The equipment class for the equipment under test, as defined in IEC 60721-3-3 [2].
- b) The equipment class for the equipment under test, as defined in IEC 60721-3-4 [3].
- c) For equipment that does not comply to the mentioned classes, the relevant classes from IEC 60 721 documentation for Temperature, Humidity and Vibration shall be declared.

NOTE: Reduced functionality for conditions that fall out side of the standard operational conditions are not tested in this TS. These may be stated and tested separately.

### 5.9.2.1 Extreme temperature

When an extreme temperature test environment is specified for a test, the test shall be performed at the standard minimum and maximum operating temperatures defined by the manufacturer's declaration for the equipment under test.

#### Minimum temperature:

The test shall be performed with the environmental test equipment and methods of inducing the required environmental phenomena into the equipment, conforming to the test procedure of IEC 60 068-2-1 [4], Environmental Testing, Part 2: Tests - Tests A: Cold. The equipment shall be maintained at the stabilized condition for the duration of the test sequence.

#### Maximum temperature:

The test shall be performed with the environmental test equipment and methods of inducing the required environmental phenomena in to the equipment, conforming to the test procedure of IEC 60 068-2-2 [5] (Environmental Testing, Part 2: Tests - Tests Bd Dry heat). The equipment shall be maintained at the stabilized condition for the duration of the test sequence.

NOTE: It is recommended that the equipment is made fully operational prior to the equipment being taken to its lower operating temperature.

## 5.9.3 Vibration

When vibration conditions are specified for a test, the test shall be performed while the equipment is subjected to a vibration sequence as defined by the manufacturers declaration for the equipment under test. This shall use the environmental test equipment and methods of inducing the required environmental phenomena in to the equipment, conforming to the test procedure of IEC 60 068-2-6 [8], Environmental Testing, Part 2: Tests - Test Fc and guidance: Vibration (Sinusoidal). Other environmental conditions shall be within the ranges specified in subclause 5.9.1, Normal test environment.

NOTE: The higher levels of vibration may induce undue physical stress in to equipment after a prolonged series of tests. The testing body should only vibrate the equipment during the RF measurement process.

## 5.9.4 Power supply

When extreme power supply conditions are specified for a test, the test shall be performed at the standard upper and lower limits of operating voltage defined by the manufacturer's declaration for the equipment under test.

#### Upper voltage limit

The equipment shall be supplied with a voltage equal to the upper limit declared by the manufacturer (as measured at the input terminals to the equipment). The tests shall be carried out at a steady state minimum and maximum limit declared by the manufacturer for the equipment, to the methods described in IEC 60 068-2-1 [4] Test Ab/Ad: Cold and IEC 60 068-2-2 [5] Test Bb/Bd: Dry Heat.

#### Lower voltage limit

The equipment shall be supplied with a voltage equal to the lower limit declared by the manufacturer (as measured at the input terminals to the equipment). The tests shall be carried out at a steady state minimum and maximum limit declared by the manufacturer for the equipment, to the methods described in IEC 60 068-2-1 [4] Test Ab/Ad: Cold and IEC 60 068-2-2 [5] Test Bb/Bd: Dry Heat.

## 5.10 Acceptable uncertainty of Test System

The maximum acceptable uncertainty of the Test System is specified below for each test, where appropriate. The Test System shall enable the stimulus signals in the test case to be adjusted to within the specified tolerance and the equipment under test to be measured with an uncertainty not exceeding the specified values. All tolerances and uncertainties are absolute values and are valid for a confidence level of 95 %, unless otherwise stated.

A confidence level of 95 % is the measurement uncertainty tolerance interval for a specific measurement that contains 95 % of the performance of a population of test equipment.

For RF tests it should be noted that the uncertainties in subclause 5.10 apply to the Test System operating into a nominal 50 ohm load and do not include system effects due to mismatch between the DUT and the Test System.

### 5.10.1 Measurement of test environments

The measurement accuracy of the BS test environments defined in subclause 5.9 shall be:

|                     |                 |
|---------------------|-----------------|
| Pressure            | $\pm 5$ kPa     |
| Temperature         | $\pm 2$ degrees |
| Relative Humidity   | $\pm 5$ %       |
| DC Voltage          | $\pm 1,0$ %     |
| AC Voltage          | $\pm 1,5$ %     |
| Vibration           | 10 %            |
| Vibration frequency | 0,1 Hz          |

The above values shall apply unless the test environment is otherwise controlled and the specification for the control of the test environment specifies the uncertainty for the parameter.

## 5.10.2 Measurement of transmitter

Table 5.3: Maximum Test System Uncertainty for transmitter tests

| Subclause                                           | Maximum Test System Uncertainty                                                                                                                                                                                                                                                                                                                                                                                                                                                                                                    | Derivation of Test System Uncertainty                                                                  |
|-----------------------------------------------------|------------------------------------------------------------------------------------------------------------------------------------------------------------------------------------------------------------------------------------------------------------------------------------------------------------------------------------------------------------------------------------------------------------------------------------------------------------------------------------------------------------------------------------|--------------------------------------------------------------------------------------------------------|
| 6.2 Maximum output power                            | $\pm 0,7$ dB                                                                                                                                                                                                                                                                                                                                                                                                                                                                                                                       |                                                                                                        |
| 6.3 Frequency stability                             | $\pm 12$ Hz                                                                                                                                                                                                                                                                                                                                                                                                                                                                                                                        |                                                                                                        |
| 6.4.2 Power control steps                           | single step: $\pm 0,1$ dB<br>ten steps: $\pm 0,3$ dB                                                                                                                                                                                                                                                                                                                                                                                                                                                                               | Result is difference between two absolute Code Domain Power measurements on the power controlled DPCH. |
| 6.4.3 Power control dynamic range                   | $\pm 0,3$ dB                                                                                                                                                                                                                                                                                                                                                                                                                                                                                                                       |                                                                                                        |
| 6.4.4 Minimum output power                          | $\pm 0,7$ dB                                                                                                                                                                                                                                                                                                                                                                                                                                                                                                                       |                                                                                                        |
| 6.4.5 Primary CCPCH power                           | $\pm 0,8$ dB                                                                                                                                                                                                                                                                                                                                                                                                                                                                                                                       |                                                                                                        |
| 6.4.6 Differential accuracy of Primary CCPCH power  | $\pm 0,1$ dB                                                                                                                                                                                                                                                                                                                                                                                                                                                                                                                       |                                                                                                        |
| 6.5.1 Transmit OFF power                            | $\pm 2,0$ dB                                                                                                                                                                                                                                                                                                                                                                                                                                                                                                                       |                                                                                                        |
| 6.5.2 Transmit ON/OFF time mask                     | Tx power limit = $-79$ dBm: $\pm 2,0$ dB<br>Tx power limit = $-33$ dBm: $\pm 0,7$ dB                                                                                                                                                                                                                                                                                                                                                                                                                                               |                                                                                                        |
| 6.6.1 Occupied Bandwidth                            | $\pm 100$ kHz                                                                                                                                                                                                                                                                                                                                                                                                                                                                                                                      | Accuracy = $\pm 3 \cdot \text{RBW}$ .<br>Assume 30 kHz bandwidth                                       |
| 6.6.2.1 Spectrum emission mask                      | $\pm 1,5$ dB                                                                                                                                                                                                                                                                                                                                                                                                                                                                                                                       |                                                                                                        |
| 6.6.2.2 Adjacent Channel Leakage power Ratio (ACLR) | minimum requirement:<br>5 MHz offset: $\pm 0,8$ dB<br>10 MHz offset: $\pm 0,8$ dB<br><br>requirement in case of operation in proximity to TDD BS or FDD BS operating on an adjacent frequency:<br>5 MHz offset: $\pm 4$ dB<br>10 MHz offset: $\pm 4$ dB<br><br>requirement in case of co-siting with TDD BS or FDD BS operating on an adjacent frequency:<br>5 MHz offset: TBD<br>10 MHz offset: TBD<br><br>Note: Impact of measurement period (averaging) and intermod effects in the measurement receiver not yet fully studied. |                                                                                                        |
| 6.6.3 Spurious emissions                            | $\pm 2,0$ dB for BS and coexistence bands for results $> -60$ dBm<br>$\pm 3,0$ dB for results $< -60$ dBm<br><br>Outside above range:<br>$f \leq 2,2$ GHz: $\pm 1,5$ dB<br>$2,2$ GHz $< f \leq 4$ GHz: $\pm 2,0$ dB<br>$f > 4$ GHz: $\pm 4,0$ dB                                                                                                                                                                                                                                                                                   |                                                                                                        |
| 6.7 Transmit intermodulation                        | The value below applies to the setting of the interference signal level only and is unrelated to the measurement uncertainty of the tests (6.6.2.1, 6.6.2.2 and 6.6.3) which have to be carried out in the presence of the interference signal.<br><br>$\pm 1$ dB                                                                                                                                                                                                                                                                  | The uncertainty of the interferer has double the effect on the result due to the frequency offset.     |
| 6.8.1 Modulation accuracy                           | $\pm 2,5$ % (for single code)                                                                                                                                                                                                                                                                                                                                                                                                                                                                                                      |                                                                                                        |
| 6.8.2 Peak code domain error                        | $\pm 1$ dB                                                                                                                                                                                                                                                                                                                                                                                                                                                                                                                         |                                                                                                        |

## 5.10.3 Measurement of receiver

Table 5.4: Maximum Test System Uncertainty for receiver tests

| Subclause                                 | Maximum Test System Uncertainty<br>(see NOTE 1)                                                                                                                                                                                                                     | Derivation of Test System<br>Uncertainty                                                                                                                                                                                                                                                                                                                                                                                                                                                                                                                                                                                                                                                                                                                                                                                              |
|-------------------------------------------|---------------------------------------------------------------------------------------------------------------------------------------------------------------------------------------------------------------------------------------------------------------------|---------------------------------------------------------------------------------------------------------------------------------------------------------------------------------------------------------------------------------------------------------------------------------------------------------------------------------------------------------------------------------------------------------------------------------------------------------------------------------------------------------------------------------------------------------------------------------------------------------------------------------------------------------------------------------------------------------------------------------------------------------------------------------------------------------------------------------------|
| 7.2 Reference sensitivity level           | $\pm 0,7$ dB                                                                                                                                                                                                                                                        |                                                                                                                                                                                                                                                                                                                                                                                                                                                                                                                                                                                                                                                                                                                                                                                                                                       |
| 7.3 Dynamic range                         | $\pm 1,2$ dB                                                                                                                                                                                                                                                        | Formula =<br>SQRT(signal level error <sup>2</sup><br>and AWGN level error <sup>2</sup> )                                                                                                                                                                                                                                                                                                                                                                                                                                                                                                                                                                                                                                                                                                                                              |
| 7.4 Adjacent Channel Selectivity<br>(ACS) | $\pm 1,1$ dB                                                                                                                                                                                                                                                        | Formula = SQRT<br>(wanted_level_error <sup>2</sup> +<br>interferer_level_error <sup>2</sup> ) +<br>ACLR effect<br><br>The ACLR effect is<br>calculated by:<br>(Formula to follow)                                                                                                                                                                                                                                                                                                                                                                                                                                                                                                                                                                                                                                                     |
| 7.5 Blocking characteristics              | Maximum Test System Accuracy with Frequency<br>offset of interfering signal < 15MHz:<br>$\pm 1,4$ dB<br><br>Frequency offset of interfering signal $\geq 15$ MHz:<br>f < 2,2 GHz: $\pm 1,1$ dB<br>2,2 GHz < f $\leq 4$ GHz: $\pm 1,8$ dB<br>f > 4 GHz: $\pm 3,2$ dB | Formula =<br>SQRT (wanted_level_error <sup>2</sup><br>+ interferer_level_error <sup>2</sup> ) +<br>ACLR effect + Broadband<br>noise<br><br>(Frequency offset < 15<br>MHz: assuming ACLR of<br>interfering signal = 68 dB,<br>measurement uncertainty<br>of wanted signal = 0,7 dB)<br><br>(Frequency offset $\geq 15$<br>MHz:<br>assuming -130 dBc<br>broadband noise from<br>interfering signal)<br><br>Harmonics and spurs of the<br>interfering signal need to<br>be carefully considered.<br>Perhaps need to avoid<br>harmonics of the interferer<br>that fall on top of the<br>receive channel.<br><br>For the -15 dBm CW<br>interfering signal, filtering of<br>the interfering signal (at<br>least 25 dB) is necessary to<br>eliminate problems with<br>broadband noise falling into<br>the bandwidth of the<br>wanted signal. |
| 7.6 Intermodulation<br>characteristics    | $\pm 1,3$ dB                                                                                                                                                                                                                                                        | Formula = SQRT<br>((2*CW_level_error) <sup>2</sup> +<br>(mod_level_error) <sup>2</sup> +<br>(wanted_signal_level_error<br>) <sup>2</sup> )<br><br>(assuming:<br>CW_level_error: 0,5 dB<br>mod_level_error: 0,5 dB<br>wanted_signal_level_error:<br>0,7 dB)                                                                                                                                                                                                                                                                                                                                                                                                                                                                                                                                                                            |

|                                                                                                                                                                                         |                                                                                                                                                                                                                                  |  |
|-----------------------------------------------------------------------------------------------------------------------------------------------------------------------------------------|----------------------------------------------------------------------------------------------------------------------------------------------------------------------------------------------------------------------------------|--|
| 7.7 Spurious emissions                                                                                                                                                                  | $\pm 3,0$ dB for BS receive band (-78 dBm)<br><br>Outside above range:<br>$f \leq 2,2$ GHz: $\pm 2,0$ dB (-57 dBm)<br>$2,2$ GHz < $f \leq 4$ GHz: $\pm 2,0$ dB (-47 dBm)<br>$f > 4$ GHz : $\pm 4,0$ dB (-47 dBm)<br>(see note 2) |  |
| NOTE 1: Unless otherwise noted, only the Test System stimulus error is considered here. The effect of errors in the BER/FER measurements due to finite test duration is not considered. |                                                                                                                                                                                                                                  |  |
| NOTE 2: The Test System uncertainty figures for Spurious emissions apply to the measurement of the DUT and not to any stimulus signals.                                                 |                                                                                                                                                                                                                                  |  |

## 5.10.4 Measurement of performance requirements

**Table 5.5: Maximum Test System Uncertainty for Performance Requirements**

| Subclause                                                                                                                                                   | Maximum Test System Uncertainty<br>(see NOTE 1) |
|-------------------------------------------------------------------------------------------------------------------------------------------------------------|-------------------------------------------------|
| 8.2 Demodulation in static propagation conditions                                                                                                           | TBD                                             |
| 8.3 Demodulation of DCH in multipath fading conditions                                                                                                      | TBD                                             |
| NOTE 1: Only the overall stimulus error is considered here. The effect of errors in the BER/FER measurements due to finite test duration is not considered. |                                                 |

## 5.11 Test Tolerances (informative)

The Test Tolerances defined in this subclause have been used to relax the Minimum Requirements in this specification to derive the Test Requirements.

The Test Tolerances are derived from Test System uncertainties, regulatory requirements and criticality to system performance. As a result, the Test Tolerance may sometimes be set to zero.

The test tolerances should not be modified for any reason, e. g. to take account of commonly known test system errors (such as mismatch, cable loss, etc.)



## 5.11.1 Transmitter

**Table 5.6: Test Tolerance for transmitter tests**

| Subclause                                           | Test Tolerance (see NOTE)                                                                                                                                                                                                                                                                                                                                             |
|-----------------------------------------------------|-----------------------------------------------------------------------------------------------------------------------------------------------------------------------------------------------------------------------------------------------------------------------------------------------------------------------------------------------------------------------|
| 6.2 Maximum output power                            | 0,7 dB                                                                                                                                                                                                                                                                                                                                                                |
| 6.3 Frequency stability                             | 12 Hz                                                                                                                                                                                                                                                                                                                                                                 |
| 6.4.2 Power control steps                           | single step: 0,1 dB<br>ten steps: 0,3 dB                                                                                                                                                                                                                                                                                                                              |
| 6.4.3 Power control dynamic range                   | 0,3 dB                                                                                                                                                                                                                                                                                                                                                                |
| 6.4.4 Minimum output power                          | 0,7 dB                                                                                                                                                                                                                                                                                                                                                                |
| 6.4.5 Primary CCPCH power                           | 0,8 dB                                                                                                                                                                                                                                                                                                                                                                |
| 6.4.6 Differential accuracy of Primary CCPCH power  | ± 0,1 dB                                                                                                                                                                                                                                                                                                                                                              |
| 6.5.1 Transmit OFF power                            | 2,0 dB                                                                                                                                                                                                                                                                                                                                                                |
| 6.5.2 Transmit ON/OFF time mask                     | Tx power limit = -79 dBm: 2,0 dB<br>Tx power limit = -33 dBm: 0,7 dB                                                                                                                                                                                                                                                                                                  |
| 6.6.1 Occupied Bandwidth                            | 0 kHz                                                                                                                                                                                                                                                                                                                                                                 |
| 6.6.2.1 Spectrum emission mask                      | 1,5 dB                                                                                                                                                                                                                                                                                                                                                                |
| 6.6.2.2 Adjacent Channel Leakage power Ratio (ACLR) | minimum requirement: 0,8 dB<br>operation in proximity: 4 dB<br>co-siting: TBD                                                                                                                                                                                                                                                                                         |
| 6.6.3 Spurious emissions                            | 0 dB                                                                                                                                                                                                                                                                                                                                                                  |
| 6.7 Transmit intermodulation                        | Testing of transmit intermodulation consists of 3 parts:<br>- testing of spectrum emission mask, see 6.6.2.1<br>- testing of ACLR, see 6.6.2.2<br>- testing of spurious emissions, see 6.6.3<br>For each of these parts, the respective Test Tolerances as specified in this table shall apply.<br><br>Test Tolerance for setting of the interferer power level: 0 dB |
| 6.8.1 Modulation accuracy                           | 0 %                                                                                                                                                                                                                                                                                                                                                                   |
| 6.8.2 Peak code domain error                        | 1 dB                                                                                                                                                                                                                                                                                                                                                                  |
| NOTE:                                               | Unless otherwise stated, the Test Tolerances are applied to the DUT Minimum Requirement.<br>See Annex D.                                                                                                                                                                                                                                                              |

## 5.11.2 Receiver

**Table 5.7: Test Tolerances for receiver tests**

| Subclause                              | Test Tolerances (see NOTE 1)                                                                     |
|----------------------------------------|--------------------------------------------------------------------------------------------------|
| 7.2 Reference sensitivity level        | 0,7 dB                                                                                           |
| 7.3 Dynamic range                      | 1,2 dB                                                                                           |
| 7.4 Adjacent Channel Selectivity (ACS) | 0 dB                                                                                             |
| 7.5 Blocking characteristics           | 0 dB                                                                                             |
| 7.6 Intermodulation characteristics    | 0 dB                                                                                             |
| 7.7 Spurious emissions                 | 0 dB (see NOTE 2)                                                                                |
| NOTE 1:                                | Unless otherwise stated, the Test Tolerances are applied to the stimulus signal(s). See Annex D. |
| NOTE 2:                                | The Test Tolerance is applied to the DUT Minimum Requirement. See Annex D.                       |

### 5.11.3 Performance requirements

**Table 5.8: Test Tolerances for performance requirements**

| Subclause                                                                                              |                                                    | Test Tolerance (see NOTE) |
|--------------------------------------------------------------------------------------------------------|----------------------------------------------------|---------------------------|
| 8.2                                                                                                    | Demodulation in static propagation conditions      | TBD                       |
| 8.3                                                                                                    | Demodulation of DCH in multipath fading conditions | TBD                       |
| NOTE: Unless otherwise stated, the Test Tolerances are applied to the stimulus signal(s). See Annex D. |                                                    |                           |

## 5.12 Interpretation of measurement results

The measurement results returned by the Test System are compared - without any modification - against the Test Requirements as defined by the shared risk principle.

The Shared Risk principle is defined in ETR 273 Part 1 sub-part 2 section 6.5.

The actual measurement uncertainty of the Test System for the measurement of each parameter shall be included in the test report.

The recorded value for the Test System uncertainty shall be, for each measurement, equal to or lower than the appropriate figure in subclause 5.10 of this TS.

If the Test System for a test is known to have a measurement uncertainty greater than that specified in subclause 5.10, it is still permitted to use this equipment provided that an adjustment is made as follows:

Any additional uncertainty in the Test System over and above that specified in subclause 5.10 shall be used to tighten the Test Requirement – making the test harder to pass. (For some tests, e. g. receiver tests, this may require modification of stimulus signals).

This procedure (defined in Annex D) will ensure that a Test System not compliant with subclause 5.10 does not increase the chance of passing a device under test where that device would otherwise have failed the test if a Test System compliant with subclause 5.10 had been used.

## 5.13 Selection of configurations for testing

Most tests in this TS are only performed for a subset of the possible combinations of test conditions. For instance:

- Not all TRXs in the configuration may be specified to be tested.
- Only one RF channel may be specified to be tested.
- Only one timeslot may be specified to be tested.

When a test is performed by a test laboratory, the choice of which combinations are to be tested shall be specified by the laboratory. The laboratory may consult with operators, the manufacturer or other bodies.

When a test is performed by a manufacturer, the choice of which combinations are to be tested may be specified by an operator.

## 5.14 BS Configurations

This TS has been written to specify tests for the standard configurations of BS which have been assumed in UTRA requirements specifications, in particular TS 25.105 [1]. However, there are other configurations of BS which comply with these specifications, but for which the application of these specifications is not fully defined. For some such configurations there may be alternate ways to apply the requirements of this specification to testing of the configuration, or some variation in the test method may be necessary. It may therefore be necessary for the parties to the testing to reach agreement over the method of testing in advance.

If the BS is supplied in a number of different environmental enclosures or configurations, it may not be necessary to test RF parameters for each environmental configuration, provided that it can be demonstrated that the equipment has been tested at the worst internal environmental conditions.

Where alternative interpretations of this specification are possible for a BS configuration under test, the interpretation which has been adopted in performing the test shall be recorded with the test results.

Where variation in the test method within this TS has been necessary to enable a BS configuration to be tested, the variation in the test method which has been made in performing the test shall be recorded with the test results. Where possible, agreement should be reached in advance about the nature of such a variation with any party who will later receive the test results.

Possible interpretations of this TS for some common configurations are given in the following subclauses.

### 5.14.1 Receiver diversity

For the tests in clause 7 of this TS, the specified test signals shall be applied to one receiver antenna connector, with the remaining receiver antenna connectors being terminated with 50 ohms.

### 5.14.2 Duplexers

Due to TDD operation, there is no need to use a duplexer in the BS.

### 5.14.3 Power supply options

If the BS is supplied with a number of different power supply configurations, it may not be necessary to test RF parameters for each of the power supply options, provided that it can be demonstrated that the range of conditions over which the equipment is tested is at least as great as the range of conditions due to any of the power supply configurations.

This applies particularly if a BS contains a DC rail which can be supplied either externally or from an internal mains power supply. In this case, the conditions of extreme power supply for the mains power supply options can be tested by testing only the external DC supply option. The range of DC input voltages for the test should be sufficient to verify the performance with any of the power supplies, over its range of operating conditions within the BS, including variation of mains input voltage, temperature and output current.

### 5.14.4 Ancillary RF amplifiers

**Ancillary RF amplifier:** a piece of equipment, which when connected by RF coaxial cables to the BS, has the primary function to provide amplification between the transmit and/or receive antenna connector of a BS and an antenna without requiring any control signal to fulfil its amplifying function.

The requirements of this TS shall be met with the ancillary RF amplifier fitted. At tests according to clause 6 and 7 for TX and RX respectively, the ancillary amplifier is connected to the BS by a connecting network (including any cable(s), attenuator(s), etc.) with applicable loss to make sure the appropriate operating conditions of the ancillary amplifier and the BS. The applicable connecting network loss range is declared by the manufacturer. Other characteristics and the temperature dependence of the attenuation of the connecting network are neglected. The actual attenuation value of the connecting network is chosen for each test as one of the applicable extreme values. The lowest value is used unless otherwise stated.

Sufficient tests should be repeated with the ancillary amplifier fitted and, if it is optional, without the ancillary RF amplifier to verify that the BS meets the requirements of this TS in both cases.

### 5.14.5 BS using antenna arrays

A BS may be configured with a multiple antenna port connection for some or all of its TRXs or with an antenna array related to one cell (not one array per TRX). This subclause applies to a BS which meets at least one of the following conditions:

- The transmitter output signals from one or more TRX appear at more than one antenna port, or

- there is more than one receiver antenna port for a TRX or per cell and an input signal is required at more than one port for the correct operation of the receiver (NOTE: diversity reception does not meet this requirement) thus the outputs from the transmitters as well as the inputs to the receivers are directly connected to several antennas (known as "aircombining"), or
- transmitters and receivers are connected via duplexers to more than one antenna

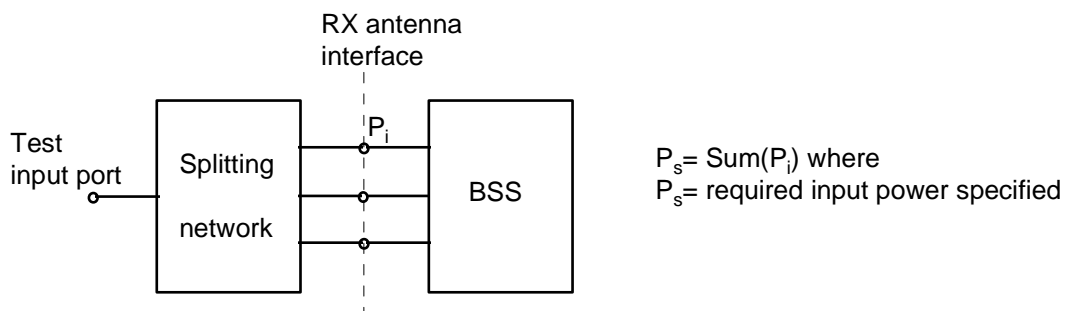
If a BS is used, in normal operation, in conjunction with an antenna system which contains filters or active elements which are necessary to meet the UTRA requirements, the tests of conformance may be performed on a system comprising the BS together with these elements, supplied separately for the purposes of testing. In this case, it must be demonstrated that the performance of the configuration under test is representative of the system in normal operation, and the conformance assessment is only applicable when the BS is used with the antenna system.

For testing of conformance of such a BS, the following procedure may be used:

### 5.14.5.1 Receiver tests

For each test, the test signals applied to the receiver antenna connectors shall be such that the sum of the powers of the signals applied equals the power of the test signal(s) specified in the test.

An example of a suitable test configuration is shown in figure 5.1.



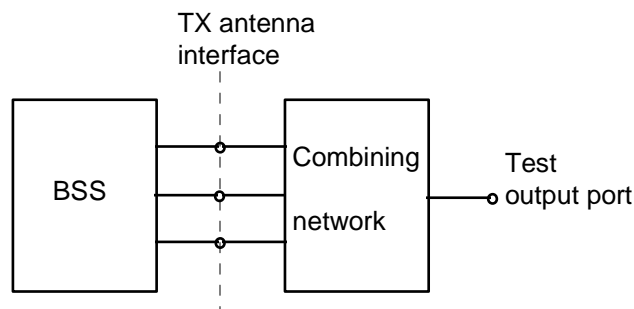
**Figure 5.1: Receiver test set up**

For spurious emissions from the receiver antenna connector, the test may be performed separately for each receiver antenna connector.

### 5.14.5.2 Transmitter tests

For each test, the conformance requirement shall be met by the sum of the signals emitted by each transmitter antenna connector. This may be assessed by separately measuring the signals emitted by each antenna connector and summing the results, or by combining the signals and performing a single measurement. The characteristics (e.g. amplitude and phase) of the combining network should be such that the power of the combined signal is maximised.

An example of a suitable test configuration is shown in figure 5.2.



**Figure 5.2: Transmitter test setup**

For Intermodulation attenuation, the test may be performed separately for each transmitter antenna connector.

## 5.15 Overview of the conformance test requirements

Tables 5.9, 5.10 and 5.11 give an overview of the conformance test requirements for the transmitter, the receiver and system performance, respectively.

**Table 5.9: Overview of the conformance tests requirements for the transmitter**

| Parameter                                    | Subclause | Note                                |
|----------------------------------------------|-----------|-------------------------------------|
| Maximum output power                         | 6.2       | manufacturer's declaration required |
| Frequency stability                          | 6.3       | manufacturer's declaration required |
| Output power dynamics                        | 6.4       |                                     |
| Inner loop power control                     | 6.4.1     |                                     |
| Power control steps                          | 6.4.2     |                                     |
| Power control dynamic range                  | 6.4.3     |                                     |
| Minimum output power                         | 6.4.4     |                                     |
| Primary CCPCH power                          | 6.4.5     |                                     |
| Differential accuracy of Primary CCPCH power | 6.4.6     |                                     |
| Transmit OFF power                           | 6.5.1     |                                     |
| Transmit ON/OFF time mask                    | 6.5.2     |                                     |
| Output RF spectrum emissions                 | 6.6       |                                     |
| Occupied bandwidth                           | 6.6.1     |                                     |
| Out-of-band emission                         | 6.6.2     |                                     |
| Spectrum emission mask                       | 6.6.2.1   | manufacturer's declaration required |
| Adjacent Channel Leakage power Ratio (ACLR)  | 6.6.2.2   | manufacturer's declaration required |
| Spurious emissions                           | 6.6.3     |                                     |
| Mandatory requirements                       | 6.6.3.2.1 | manufacturer's declaration required |
| Co-existence with GSM 900                    | 6.6.3.2.2 | manufacturer's declaration required |
| Co-existence with DCS 1800                   | 6.6.3.2.3 | manufacturer's declaration required |
| Co-existence with UTRA FDD                   | 6.6.3.2.4 | manufacturer's declaration required |
| Transmit intermodulation                     | 6.7       |                                     |
| Transmit modulation                          | 6.8       |                                     |
| Modulation accuracy                          | 6.8.1     |                                     |
| Peak code domain error                       | 6.8.2     |                                     |

**Table 5.10: Overview of the conformance tests requirements for the receiver**

| Parameter                          | Subclause | Note                                |
|------------------------------------|-----------|-------------------------------------|
| Reference sensitivity level        | 7.2       |                                     |
| Dynamic range                      | 7.3       |                                     |
| Adjacent Channel Selectivity (ACS) | 7.4       |                                     |
| Blocking characteristics           | 7.5       | manufacturer's declaration required |
| Intermodulation characteristics    | 7.6       |                                     |
| Spurious emissions                 | 7.7       |                                     |

**Table 5.11: Overview of the conformance test requirements for system performance**

| Parameter                                          | Subclause | Note |
|----------------------------------------------------|-----------|------|
| Demodulation in static propagation conditions      | 8.2       |      |
| Demodulation of DCH                                | 8.2.1     |      |
| Demodulation of DCH in multipath fading conditions | 8.3       |      |
| Multipath fading Case 1                            | 8.3.1     |      |
| Multipath fading Case 2                            | 8.3.2     |      |
| Multipath fading Case 3                            | 8.3.3     |      |

## 5.16 Format and interpretation of tests

Each test in the following clauses has a standard format:

### **X Title**

The title gives the name of the parameter to be tested.

### **X.1 Definition and applicability**

This subclause gives the general definition of the parameter under consideration and specifies whether the test is applicable to all equipment or to a certain subset only.

### **X.2 Minimum Requirements**

This subclause is an informative copy of the Minimum Requirements defined by the core specification.

In addition, this subclause contains the reference to the subclause of the 3GPP reference (or core) specification which defines the Minimum Requirements.

### **X.3 Test purpose**

This subclause defines the purpose of the test.

### **X.4 Method of test**

#### **X.4.1 Initial conditions**

This subclause defines the initial conditions for each test, including the test environment, the RF channels to be tested and the basic measurement setup.

#### **X.4.2 Procedure**

This subclause describes the steps necessary to perform the test and provides further details of the test definition like point of access (e.g. antenna port), domain (e.g. frequency-span), range, weighting (e.g. bandwidth), and algorithms (e.g. averaging).

### **X.5 Test Requirements**

This subclause defines the pass/fail criteria for the equipment under test. See subclause 5.12 Interpretation of measurement results.

## 5.17 Regional requirements

Some requirements in this specification may only apply in certain regions. Table 5.12 lists all requirements that may be applied differently in different regions.

Table 5.12: List of regional requirements

| Subclause number | Requirement                                                        | Comments                                                                                                                                                                           |
|------------------|--------------------------------------------------------------------|------------------------------------------------------------------------------------------------------------------------------------------------------------------------------------|
| 4.2              | Frequency bands                                                    | Some bands may be applied regionally.                                                                                                                                              |
| 6.2.2            | Maximum output power                                               | In certain regions, the minimum requirement for normal conditions may apply also for some conditions outside the ranges defined for the Normal test environment in subclause 5.8.1 |
| 6.6.2.1.         | Spectrum emission mask                                             | The mask specified may be mandatory in certain regions. In other regions this mask may not be applied.                                                                             |
| 6.6.3.2.1.1      | Spurious emissions (Category A)                                    | These requirements shall be met in cases where Category A limits for spurious emissions, as defined in ITU-R Recommendation SM.329-8 [6], are applied.                             |
| 6.6.3.2.1.2      | Spurious emissions (Category B)                                    | These requirements shall be met in cases where Category B limits for spurious emissions, as defined in ITU-R Recommendation SM.329-8 [6], are applied.                             |
| 6.6.3.2.2.1      | Co-existence with GSM900 – Operation in the same geographic area   | This requirement may be applied for the protection of GSM 900 MS in geographic areas in which both GSM 900 and UTRA are deployed.                                                  |
| 6.6.3.2.2.2      | Co-existence with GSM900 – Co-located base stations                | This requirement may be applied for the protection of GSM 900 BTS receivers when GSM 900 BTS and UTRA BS are co-located.                                                           |
| 6.6.3.2.3.1      | Co-existence with DCS1800 – Operation in the same geographic area  | This requirement may be applied for the protection of DCS 1800 MS in geographic areas in which both DCS 1800 and UTRA are deployed.                                                |
| 6.6.3.2.3.2      | Co-existence with DCS1800 – Co-located base stations               | This requirement may be applied for the protection of DCS 1800 BTS receivers when DCS 1800 BTS and UTRA BS are co-located.                                                         |
| 6.6.3.2.4.1      | Co-existence with UTRA FDD – Operation in the same geographic area | This requirement may be applied to geographic areas in which both UTRA-TDD and UTRA-FDD are deployed.                                                                              |
| 6.6.3.2.4.2      | Co-existence with UTRA FDD – Co-located base stations              | This requirement may be applied for the protection of UTRA-FDD BS receivers when UTRA-TDD BS and UTRA FDD BS are co-located.                                                       |
| 7.5              | Blocking characteristic                                            | The requirement is applied according to what frequency bands in subclause 4.2 that are supported by the BS.                                                                        |
| 7.5              | Blocking characteristics                                           | This requirement may be applied for the protection of UTRA TDD BS receivers when UTRA TDD BS and GSM 900/DCS1800 BS are co-located.                                                |

## 5.18 Definition of Additive White Gaussian Noise (AWGN) Interferer

The minimum bandwidth of the AWGN interferer shall be 1,5 times chip rate of the radio access mode (e.g. 5,76 MHz for a chip rate of 3,84 Mcps and 1,92 MHz for a chip rate of 1,28 Mcps). The flatness across this minimum bandwidth shall be within  $\pm 0,5$  dB, and the peak to average ratio at a probability of 0,001% shall exceed 10 dB.

---

## 6 Transmitter characteristics

### 6.1 General

Unless otherwise stated, all measurements shall be made at the BS antenna connector.

## 6.2 Maximum output power

### 6.2.1 Definition and applicability

Maximum output power ( $P_{max}$ ) and rated output power (PRAT) are defined in subclause 3.1.

The requirements in this subclause shall apply to base stations intended for general-purpose applications.

### 6.2.2 Minimum Requirements

In normal conditions, the base station maximum output power shall remain within +2 dB and –2 dB of the manufacturer's rated output power.

In extreme conditions, the base station maximum output power shall remain within +2,5 dB and –2,5 dB of the manufacturer's rated output power.

In certain regions, the minimum requirement for normal conditions may apply also for some conditions outside the ranges defined for the Normal test environment in subclause 5.9.1.

The normative reference for this requirement is TS 25.105 [1] subclause 6.2.1.1.

### 6.2.3 Test purpose

The test purpose is to verify the accuracy of the maximum output power across the frequency range and under normal and extreme conditions for all transmitters in the BS.

### 6.2.4 Method of test

#### 6.2.4.1 Initial conditions

##### 6.2.4.1.0 General test conditions

Test environment: normal; see subclause 5.9.1.

RF channels to be tested: B, M and T; see subclause 5.3.

In addition, on one UARFCN only, the test shall be performed under extreme power supply as defined in subclause 5.9.4.

NOTE: Tests under extreme power supply also test extreme temperature.

##### 6.2.4.1.1 3,84 Mcps TDD option

- (1) The transmitter under test and all other transmitters of the base station (if any) are switched on.
- (2) The power of the transmitters not under test (if any) are controlled down.
- (3) Connect the power measuring equipment to the BS antenna connector.
- (4) Set the parameters of the transmitted signal according to table 6.1.



**Table 6.1: Parameters of the transmitted signal for maximum output power test**

| Parameter                        | Value/description                                                                           |
|----------------------------------|---------------------------------------------------------------------------------------------|
| TDD Duty Cycle                   | TS $i$ ; $i = 0, 1, 2, \dots, 14$ :<br>transmit, if $i$ is even;<br>receive, if $i$ is odd. |
| BS output power setting          | PRAT                                                                                        |
| Number of DPCH in each active TS | 9                                                                                           |
| Power of each DPCH               | 1/9 of Base Station output power                                                            |
| Data content of DPCH             | real life<br>(sufficient irregular)                                                         |

#### 6.2.4.1.2 1,28 Mcps TDD option

- (1) The transmitter under test and all other transmitters of the base station (if any) are switched on.
- (2) The power of the transmitters not under test (if any) are controlled down.
- (3) Connect the power measuring equipment to the BS antenna connector.
- (4) Set the parameters of the transmitted signal according to table 6.1A.

**Table 6.1A: Parameters of the transmitted signal for maximum output power test for 1,28 Mcps TDD**

| Parameter                        | Value/description                                                                                 |
|----------------------------------|---------------------------------------------------------------------------------------------------|
| TDD Duty Cycle                   | TS $i$ ; $i = 0, 1, 2, 3, 4, 5, 6$ :<br>transmit, if $i$ is 0,4,5,6;<br>receive, if $i$ is 1,2,3. |
| BS output power setting          | PRAT                                                                                              |
| Number of DPCH in each active TS | 8                                                                                                 |
| Power of each DPCH               | 1/8 of Base Station output power                                                                  |
| Data content of DPCH             | real life<br>(sufficient irregular)                                                               |

#### 6.2.4.2 Procedure

##### 6.2.4.2.1 3,84 Mcps TDD option

- (1) Measure thermal power of the BS output signal over the 2464 active chips of an even time slot TS  $i$  (this excludes the guard periods), and with a measurement bandwidth of at least 5 MHz.
- (2) Run step (1) for RF channels Low / Mid / High.

##### 6.2.4.2.2 1,28 Mcps TDD option

- (1) Measure thermal power of the BS output signal over the 848 active chips of an even time slot TS  $i$  (this excludes the guard periods), and with a measurement bandwidth of at least 1,6 MHz.
- (2) Run step (1) for RF channels Low / Mid / High.

### 6.2.5 Test Requirements

NOTE: If the Test Requirement below differs from the Minimum Requirement, then the Test Tolerance applied for this test is non-zero. The Test Tolerance for this test is defined in subclause 5.11 and the explanation of how the Minimum Requirement has been relaxed by the Test Tolerance is given in Annex D.

In normal conditions, the measured output power, derived according to subclause 6.2.4.2, shall remain within +2,7 dB and -2,7 dB of the manufacturer's rated output power.

In extreme conditions, the measured output power, derived according to subclause 6.2.4.2, shall remain within +3,2 dB and -3,2 dB of the manufacturer's rated output power.

## 6.3 Frequency stability

### 6.3.1 Definition and applicability

Frequency stability is the ability of the BS to transmit at the assigned carrier frequency.

The requirements in this subclause shall apply to base stations intended for general-purpose applications.

### 6.3.2 Minimum Requirements

The BS frequency stability shall be within  $\pm 0,05$  ppm observed over a period of one timeslot.

The normative reference for this requirement is TS 25.105 [1] subclause 6.3.1.1 for the 3,84 Mcps TDD option and subclause 6.3.1.2 for the 1,28 Mcps TDD option.

TS 25.105 subclause 6.3 specifies the additional requirement that the BS shall use the same frequency source for both RF generation and the chip clock. Compliance with this requirement is demonstrated by manufacturer's declaration; see subclause 5.4; a dedicated conformance test for this requirement is not defined.

### 6.3.3 Test purpose

The test purpose is to verify the accuracy of the carrier frequency across the frequency range and under normal and extreme conditions.

### 6.3.4 Method of test

#### 6.3.4.1 Initial conditions

##### 6.3.4.1.0 General test conditions

Test environment: normal; see subclause 5.9.1.

RF channels to be tested: B, M and T; see subclause 5.3.

The following additional test shall be performed:

On each of B, M and T, the test shall be performed under extreme power supply as defined in subclause 5.9.4.

NOTE: Tests under extreme power supply also test extreme temperature.

##### 6.3.4.1.1 3,84 Mcps TDD option

- (1) The transmitter under test and all other transmitters of the base station (if any) are switched on.
- (2) The power of the transmitters not under test (if any) are controlled down.
- (3) Connect the tester to the BS antenna connector.
- (4) Set the parameters of the transmitted signal according to table 6.2.

**Table 6.2: Parameters of the transmitted signal for frequency stability test**

| Parameter                        | Value/description                                                                           |
|----------------------------------|---------------------------------------------------------------------------------------------|
| TDD Duty Cycle                   | TS $i$ ; $i = 0, 1, 2, \dots, 14$ :<br>transmit, if $i$ is even;<br>receive, if $i$ is odd. |
| Number of DPCH in each active TS | 1                                                                                           |
| BS output power setting          | PRAT                                                                                        |
| Data content of DPCH             | real life<br>(sufficient irregular)                                                         |

### 6.3.4.1.2 1,28 Mcps TDD option

- (1) The transmitter under test and all other transmitters of the base station (if any) are switched on.
- (2) The power of the transmitters not under test (if any) are controlled down.
- (3) Connect the tester to the BS antenna connector.
- (4) Set the parameters of the transmitted signal according to table 6.2A.

**Table 6.2A: Parameters of the transmitted signal for Frequency stability test for 1,28 Mcps TDD**

| Parameter                        | Value/description                                                                                |
|----------------------------------|--------------------------------------------------------------------------------------------------|
| TDD Duty Cycle                   | TS $i$ ; $i = 0, 1, 2, \dots, 6$ :<br>transmit, if $i$ is 0, 4,5,6;<br>receive, if $i$ is 1,2,3. |
| Number of DPCH in each active TS | 1                                                                                                |
| BS output power setting          | PRAT                                                                                             |
| Data content of DPCH             | real life<br>(sufficient irregular)                                                              |

### 6.3.4.2 Procedure

- (1) Measure the frequency error  $\Delta f$  across one burst (time slot), by applying the global in-channel Tx test method described in Annex C.
- (2) Repeat step (1) for 200 bursts (time slots).
- (3) Run steps (1) and (2) for RF channels Low / Mid / High.

## 6.3.5 Test Requirements

NOTE: If the Test Requirement below differs from the Minimum Requirement, then the Test Tolerance applied for this test is non-zero. The Test Tolerance for this test is defined in subclause 5.1.1 and the explanation of how the Minimum Requirement has been relaxed by the Test Tolerance is given in Annex D.

For all measured bursts (time slots), the frequency error, derived according to subclause 6.3.4.2, shall not exceed  $\pm (0,05 \text{ ppm} + 12 \text{ Hz})$ .

## 6.4 Output power dynamics

### 6.4.1 Inner loop power control

Inner loop power control is the ability of the BS transmitter to adjust its output power in response to the UL received signal.

For inner loop correction on the Downlink Channel, the base station adjusts the mean output power level of a CcTrCH in response to each valid power control bit received from the UE on the Uplink Traffic Channel based on the mapping of the TPC bits in uplink CcTrCH to downlink CcTrCH. Inner loop control is based on SIR measurements at the UE receiver, and the corresponding TPC commands are generated by the UE.

### 6.4.2 Power control steps

#### 6.4.2.1 Definition and applicability

The power control step is the step change in the DL transmitter output power in response to a TPC message from the UE.

The requirements in this subclause shall apply to base stations intended for general-purpose applications.

### 6.4.2.2 Minimum Requirements

The power control step sizes in the DL shall be 1 dB, 2 dB and 3 dB.

The tolerance of the transmitter output power and the greatest average rate of change in mean power due to the power control step shall be within the range shown in Table 6.3.

**Table 6.3: Power control step size tolerance**

| Step size | Tolerance     | Range of average rate of change in mean power per 10 steps |             |
|-----------|---------------|------------------------------------------------------------|-------------|
|           |               | Minimum                                                    | maximum     |
| 1dB       | $\pm 0,5$ dB  | $\pm 8$ dB                                                 | $\pm 12$ dB |
| 2dB       | $\pm 0,75$ dB | $\pm 16$ dB                                                | $\pm 24$ dB |
| 3dB       | $\pm 1$ dB    | $\pm 24$ dB                                                | $\pm 36$ dB |

The normative reference for this requirement is TS 25.105 [1] subclause 6.4.2.1.

### 6.4.2.3 Test purpose

The DL power control is applied to adjust the BS output power to a value that is sufficiently high to generate a SIR at the UE receiver equal to the target SIR, while limiting the intercell interference.

The test purpose is to verify the ability of the BS to interpret received TPC commands in a correct way and to adjust its output power according to these commands with the specified accuracy.

### 6.4.2.4 Method of test

#### 6.4.2.4.1 Initial conditions

##### 6.4.2.4.1.0 General test conditions

Test environment: normal; see subclause 5.9.1.

RF channels to be tested: B, M and T; see subclause 5.3.

##### 6.4.2.4.1.1 3,84 Mcps TDD option

- (1) Connect the BS tester to the antenna connector of the BS under test.
- (2) Disable closed loop power control in the BS under test.
- (3) Set the initial parameters of the BS transmitted signal according to table 6.4.
- (4) Operate the BS in such a mode that it is able to interpret received TPC commands.
- (5) Start BS transmission.

NOTE: The BS tester used for this test must have the ability:

- to analyze the output signal of the BS under test with respect to code domain power, by applying the global in-channel Tx test method described in Annex C;
- to simulate an UE with respect to the generation of TPC commands embedded in a valid UE signal.

**Table 6.4: Initial parameters of the BS transmitted signal for power control steps test**

| Parameter                        | Value/description                                                                           |
|----------------------------------|---------------------------------------------------------------------------------------------|
| TDD Duty Cycle                   | TS $i$ ; $i = 0, 1, 2, \dots, 14$ :<br>transmit, if $i$ is even;<br>receive, if $i$ is odd. |
| Number of DPCH in each active TS | 1                                                                                           |
| DPCH power                       | Minimum                                                                                     |
| Data content of DPCH             | real life<br>(sufficient irregular)                                                         |

#### 6.4.2.4.1.2 1,28 Mcps TDD option

- (1) Connect the BS tester to the antenna connector of the BS under test.
- (2) Disable closed loop power control in the BS under test.
- (3) Set the initial parameters of the BS transmitted signal according to table 6.4A.
- (4) Operate the BS in such a mode that it is able to interpret received TPC commands.
- (5) Start BS transmission.

NOTE: The BS tester used for this test must have the ability

- to analyze the output signal of the BS under test with respect to code domain power, by applying the global in-channel Tx test method described in Annex C;
- to simulate an UE with respect to the generation of TPC commands embedded in a valid UE signal.

**Table 6.4A: Initial parameters of the BS transmitted signal for power control steps test for 1,28 Mcps TDD**

| Parameter                        | Value/description                                                                                |
|----------------------------------|--------------------------------------------------------------------------------------------------|
| TDD Duty Cycle                   | TS $i$ ; $i = 0, 1, 2, \dots, 6$ :<br>transmit, if $i$ is 0, 4,5,6;<br>receive, if $i$ is 1,2,3. |
| Number of DPCH in each active TS | 1                                                                                                |
| DPCH power                       | Minimum                                                                                          |
| Data content of DPCH             | real life<br>(sufficient irregular)                                                              |

#### 6.4.2.4.2 Procedure

##### 6.4.2.4.2.1 3,84 Mcps TDD option

- (1) Configure the BS transmitter to enable power control steps of size 1 dB.
- (2) Set the BS tester to produce a sequence of TPC commands related to the active DPCH. This sequence shall be transmitted to the BS within the odd time slots TS  $i$  (receive time slots of the BS) and shall consist of a series of TPC commands with content "Increase Tx power", followed by a series of TPC commands with content "Decrease Tx power". Each of these series should be sufficiently long so that the output power of the active DPCH is controlled to reach its maximum and its minimum, respectively.
- (3) Measure the power of the active DPCH over the 2464 active chips of each even time slot TS  $i$  (this excludes the guard period), and with a measurement filter that has a RRC filter response with a roll off  $\alpha = 0,22$  and a bandwidth equal to the chip rate. The power is determined by calculating the RMS value of the signal samples at the measurement filter output taken at the decision points.
- (4) Based on the measurement made in step (3), calculate the power control step sizes and the average rate of change per 10 steps.

- (5) Configure the BS transmitter to enable power control steps of 2 dB and of 3 dB, respectively, and repeat steps (2) to (4).

#### 6.4.2.4.2.2 1,28 Mcps TDD option

- (1) Configure the BS transmitter to enable power control steps of size 1 dB.
- (2) Set the BS tester to produce a sequence of TPC commands related to the active DPCH. This sequence shall be transmitted to the BS within the odd time slots TS  $i$  (receive time slots of the BS) and shall consist of a series of TPC commands with content "Increase Tx power", followed by a series of TPC commands with content "Decrease Tx power". Each of these series should be sufficiently long so that the output power of the active DPCH is controlled to reach its maximum and its minimum, respectively.
- (3) Measure the power of the active DPCH over the 848 active chips of each even time slot TS  $i$  (this excludes the guard period), and with a measurement filter that has a RRC filter response with a roll off  $\alpha = 0,22$  and a bandwidth equal to the chip rate. The power is determined by calculating the RMS value of the signal samples at the measurement filter output taken at the decision points.
- (4) Based on the measurement made in step (3), calculate the power control step sizes and the average rate of change per 10 steps.
- (5) Configure the BS transmitter to enable power control steps of 2 dB and of 3 dB, respectively, and repeat steps (2) to (4).

#### 6.4.2.5 Test Requirements

NOTE: If the Test Requirements below differ from the Minimum Requirement, then the Test Tolerance applied for this test is non-zero. The Test Tolerance for this test is defined in subclause 5.1.1 and the explanation of how the Minimum Requirement has been relaxed by the Test Tolerance is given in Annex D.

##### 6.4.2.5.1 3,84 Mcps TDD option

For all measurements, the tolerance of the power control step sizes and the average rate of change per 10 steps shall be within the limits given in Table 6.5.

**Table 6.5: Test Requirements for power control step size tolerance**

| Step size | Single step tolerance | Range of average rate of change in mean power per 10 steps |               |
|-----------|-----------------------|------------------------------------------------------------|---------------|
|           |                       | Minimum                                                    | maximum       |
| 1dB       | $\pm 0,6$ dB          | $\pm 7,7$ dB                                               | $\pm 12,3$ dB |
| 2dB       | $\pm 0,85$ dB         | $\pm 15,7$ dB                                              | $\pm 24,3$ dB |
| 3dB       | $\pm 1,1$ dB          | $\pm 23,7$ dB                                              | $\pm 36,3$ dB |

In case, the power control step size is set to 3 dB, the number of power control steps feasible within the power control dynamic range of the BS under test may be less than 10. In this case, the evaluation of the average rate of change in mean power shall be based on the number of power control steps actually feasible, and the permitted range of average rate of change shall be reduced compared to the values given in table 6.5.1 in proportion to the ratio (number of power control steps actually feasible / 10).

EXAMPLE: If the number of power control steps actually feasible is 9, the minimum and maximum value of the range of average rate of change in mean power are given by  $\pm 21,3$  dB and  $\pm 32,7$  dB, respectively.

##### 6.4.2.5.2 1,28 Mcps TDD option

For all measurements, the tolerance of the power control step sizes and the average rate of change per 10 steps shall be within the limits given in Table 6.3.

In case, the power control step size is set to 3 dB, the number of power control steps feasible within the power control dynamic range of the BS under test may be less than 10. In this case, the evaluation of the average rate of change in

mean power shall be based on the number of power control steps actually feasible, and the permitted range of average rate of change shall be reduced compared to the values given in table 6.4A in proportion to the ratio (number of power control steps actually feasible /10).

EXAMPLE: If the number of power control steps actually feasible is 9, the minimum and maximum value of the range of average rate of change in mean power are given by 21,6 dB and 32,4 dB, respectively.

### 6.4.3 Power control dynamic range

#### 6.4.3.1 Definition and applicability

The power control dynamic range is the difference between the maximum and the minimum output power of one code channel for a specified reference condition.

The requirements in this subclause shall apply to base stations intended for general-purpose applications.

#### 6.4.3.2 Minimum Requirements

The DL power control dynamic range shall be greater than or equal to 30 dB.

The normative reference for this requirement is TS 25.105 [1] subclause 6.4.3.1.

#### 6.4.3.3 Test purpose

The test purpose is to verify the ability of the BS to control the power of a single code signal over the specified dynamic range.

#### 6.4.3.4 Method of test

##### 6.4.3.4.1 Initial conditions

###### 6.4.3.4.1.0 General test conditions

Test environment: normal; see subclause 5.9.1.

RF channels to be tested: B, M and T; see subclause 5.3.

###### 6.4.3.4.1.1 3,84 Mcps TDD option

- (1) Connect the BS tester to the antenna connector of the BS under test.
- (2) Set the parameters of the BS transmitted signal according to table 6.6.
- (3) Operate the BS in such a mode that it is able to interpret received TPC commands
- (4) Start BS transmission.

NOTE: The BS tester used for this test must have the ability:

- to analyze the output signal of the BS under test with respect to code domain power, by applying the global in-channel Tx test method described in Annex C;
- to simulate an UE with respect to the generation of TPC commands embedded in a valid UE signal.

**Table 6.6: Parameters of the BS transmitted signal for power control dynamic range test**

| Parameter                        | Value/description                                                                           |
|----------------------------------|---------------------------------------------------------------------------------------------|
| TDD Duty Cycle                   | TS $i$ ; $i = 0, 1, 2, \dots, 14$ :<br>transmit, if $i$ is even;<br>receive, if $i$ is odd. |
| Number of DPCH in each active TS | 1                                                                                           |
| Data content of DPCH             | real life<br>(sufficient irregular)                                                         |

#### 6.4.3.4.1.2 1,28 Mcps TDD option

- (1) Connect the BS tester to the antenna connector of the BS under test.
- (2) Set the parameters of the BS transmitted signal according to table 6.6A.
- (3) Operate the BS in such a mode that it is able to interpret received TPC commands
- (4) Start BS transmission.

NOTE: The BS tester used for this test must have the ability

- to analyze the output signal of the BS under test with respect to code domain power, by applying the global in-channel Tx test method described in Annex C;
- to simulate an UE with respect to the generation of TPC commands embedded in a valid UE signal.

**Table 6.6A: Parameters of the BS transmitted signal for power control dynamic range test for 1,28 Mcps TDD**

| Parameter                        | Value/description                                                                                |
|----------------------------------|--------------------------------------------------------------------------------------------------|
| TDD Duty Cycle                   | TS $i$ ; $i = 0, 1, 2, \dots, 6$ :<br>transmit, if $i$ is 0, 4,5,6;<br>receive, if $i$ is 1,2,3. |
| Number of DPCH in each active TS | 1                                                                                                |
| Data content of DPCH             | real life<br>(sufficient irregular)                                                              |

#### 6.4.3.4.2 Procedure

##### 6.4.3.4.2.1 3,84 Mcps TDD option

- (1) Configure the BS transmitter to enable power control steps of size 1 dB.
- (2) Set the BS tester to produce a sequence of TPC commands related to the active DPCH, with content "Increase Tx power". This sequence shall be sufficiently long so that the output power of the active DPCH is controlled to reach its maximum, and shall be transmitted to the BS within the odd time slots TS  $i$  (receive time slots of the BS).
- (3) Measure the power of the active DPCH over the 2464 active chips of an even time slot TS  $i$  (this excludes the guard period), and with a measurement filter that has a RRC filter response with a roll off  $\alpha = 0,22$  and a bandwidth equal to the chip rate. The power is determined by calculating the RMS value of the signal samples at the measurement filter output taken at the decision points.
- (4) Set the BS tester to produce a sequence of TPC commands related to the active DPCH, with content "Decrease Tx power". This sequence shall be sufficiently long so that the output power of the active DPCH is controlled to reach its minimum, and shall be transmitted to the BS within the odd time slots TS  $i$  (receive time slots of the BS).
- (5) Measure the power of the active DPCH over the 2464 active chips of an even time slot TS  $i$  (this excludes the guard period), and with a measurement filter that has a RRC filter response with a roll off  $\alpha = 0,22$  and a



bandwidth equal to the chip rate. The power is determined by calculating the RMS value of the signal samples at the measurement filter output taken at the decision points.

- (6) Determine the power control dynamic range by calculating the difference between the maximum output power measured in step (3) and the minimum output power measured in step (5).
- (7) Configure the BS transmitter to enable power control steps of 2 dB and of 3 dB, respectively, and repeat steps (2) to (6).

#### 6.4.3.4.2.2 1,28 Mcps TDD option

- (1) Configure the BS transmitter to enable power control steps of size 1 dB.
- (2) Set the BS tester to produce a sequence of TPC commands related to the active DPCH, with content "Increase Tx power". This sequence shall be sufficiently long so that the output power of the active DPCH is controlled to reach its maximum, and shall be transmitted to the BS within the receive time slots TS *i* of the BS.
- (3) Measure the power of the active DPCH over the 848 active chips of an receive time slot TS *i* (this excludes the guard period), and with a measurement filter that has a RRC filter response with a roll off  $\alpha = 0,22$  and a bandwidth equal to the chip rate. The power is determined by calculating the RMS value of the signal samples at the measurement filter output taken at the decision points.
- (4) Set the BS tester to produce a sequence of TPC commands related to the active DPCH, with content "Decrease Tx power". This sequence shall be sufficiently long so that the output power of the active DPCH is controlled to reach its minimum, and shall be transmitted to the BS within the receive time slots TS *i* of the BS.
- (5) Measure the power of the active DPCH over the 848 active chips of a receive time slot TS *i* (this excludes the guard period), and with a measurement filter that has a RRC filter response with a roll off  $\alpha = 0,22$  and a bandwidth equal to the chip rate. The power is determined by calculating the RMS value of the signal samples at the measurement filter output taken at the decision points.
- (6) Determine the power control dynamic range by calculating the difference between the maximum output power measured in step (3) and the minimum output power measured in step (5).
- (7) Configure the BS transmitter to enable power control steps of 2 dB and of 3 dB, respectively, and repeat steps (2) to (6).

#### 6.4.3.5 Test Requirements

NOTE: If the Test Requirement below differs from the Minimum Requirement, then the Test Tolerance applied for this test is non-zero. The Test Tolerance for this test is defined in subclause 5.11 and the explanation of how the Minimum Requirement has been relaxed by the Test Tolerance is given in Annex D.

The power control dynamic range derived according to subclause 6.4.3.4.2 shall be greater than or equal to 29,7 dB

### 6.4.4 Minimum output power

#### 6.4.4.1 Definition and applicability

The minimum controlled output power of the BS is when the power is set to a minimum value.

The requirements in this subclause shall apply to base stations intended for general-purpose applications.

#### 6.4.4.2 Minimum Requirements

The DL minimum output power shall be less than or equal to:

Maximum output power - 30 dB.

The normative reference for this requirement is TS 25.105 [1] subclause 6.4.4.1.

### 6.4.4.3 Test purpose

The test purpose is to verify the ability of the BS to reduce its output power to a specified value.

### 6.4.4.4 Method of test

#### 6.4.4.4.1 Initial conditions

##### 6.4.4.4.1.0 General test conditions

Test environment: normal; see subclause 5.9.1.

RF channels to be tested: B, M and T; see subclause 5.3.

##### 6.4.4.4.1.1 3,84 Mcps TDD option

- (1) Connect the BS tester to the antenna connector of the BS under test.
- (2) Set the parameters of the BS transmitted signal according to table 6.7.
- (3) Operate the BS in such a mode that it is able to interpret received TPC commands
- (4) Start BS transmission.

NOTE: The BS tester used for this test must have the ability:

- to analyze the output signal of the BS under test with respect to thermal power;
- to simulate an UE with respect to the generation of TPC commands embedded in a valid UE signal.

**Table 6.7: Parameters of the BS transmitted signal for minimum power test**

| Parameter                        | Value/description                                                                           |
|----------------------------------|---------------------------------------------------------------------------------------------|
| TDD Duty Cycle                   | TS $i$ ; $i = 0, 1, 2, \dots, 14$ :<br>transmit, if $i$ is even;<br>receive, if $i$ is odd. |
| Number of DPCH in each active TS | 1                                                                                           |
| Data content of DPCH             | real life<br>(sufficient irregular)                                                         |

##### 6.4.4.4.1.2 1,28 Mcps TDD option

- (1) Connect the BS tester to the antenna connector of the BS under test.
- (2) Set the parameters of the BS transmitted signal according to table 6.7A.
- (3) Operate the BS in such a mode that it is able to interpret received TPC commands
- (4) Start BS transmission.

NOTE: The BS tester used for this test must have the ability

- to analyze the output signal of the BS under test with respect to thermal power;
- to simulate an UE with respect to the generation of TPC commands embedded in a valid UE signal.

**Table 6.7A: Parameters of the BS transmitted signal for minimum power test for 1,28 Mcps TDD**

| Parameter                        | Value/description                                                                                 |
|----------------------------------|---------------------------------------------------------------------------------------------------|
| TDD Duty Cycle                   | TS $i$ ; $i = 0, 1, 2, 3, 4, 5, 6$ :<br>transmit, if $i$ is 0,4,5,6;<br>receive, if $i$ is 1,2,3. |
| BS output power setting          | PRAT                                                                                              |
| Number of DPCH in each active TS | 8                                                                                                 |
| Power of each DPCH               | 1/8 of Base Station output power                                                                  |
| Data content of DPCH             | real life<br>(sufficient irregular)                                                               |

#### 6.4.4.4.2 Procedure

##### 6.4.4.4.2.1 3,84 Mcps TDD option

- (1) Configure the BS transmitter to enable power control steps of size 1 dB.
- (2) Set the BS tester to produce a sequence of TPC commands related to all active DPCH, with content "Decrease Tx power". This sequence shall be sufficiently long so that the output power of all active DPCH is controlled to reach its minimum, and shall be transmitted to the BS within the odd time slots TS  $i$  (receive time slots of the BS).
- (3) Measure the power of the BS output signal over the 2464 active chips of an even time slot TS  $i$  (this excludes the guard period), and with a measurement filter that has a RRC filter response with a roll off  $\alpha = 0,22$  and a bandwidth equal to the chip rate. The power is determined by calculating the RMS value of the signal samples at the measurement filter output taken at the decision points.
- (4) Configure the BS transmitter to enable power control steps of 2 dB and of 3 dB, respectively, and repeat steps (2) and (3).

##### 6.4.4.4.2.2 1,28 Mcps TDD option

- (1) Configure the BS transmitter to enable power control steps of size 1 dB.
- (2) Set the BS tester to produce a sequence of TPC commands related to all active DPCH, with content "Decrease Tx power". This sequence shall be sufficiently long so that the output power of all active DPCH is controlled to reach its minimum, and shall be transmitted to the BS within the receive time slots TS  $i$  of the BS.
- (3) Measure the power of the BS output signal over the 848 active chips of a receive time slot TS  $i$  (this excludes the guard period), and with a measurement filter that has a RRC filter response with a roll off  $\alpha = 0,22$  and a bandwidth equal to the chip rate. The power is determined by calculating the RMS value of the signal samples at the measurement filter output taken at the decision points.
- (4) Configure the BS transmitter to enable power control steps of 2 dB and of 3 dB, respectively, and repeat steps (2) and (3).

#### 6.4.4.5 Test Requirements

NOTE: If the Test Requirement below differs from the Minimum Requirement, then the Test Tolerance applied for this test is non-zero. The Test Tolerance for this test is defined in subclause 5.11 and the explanation of how the Minimum Requirement has been relaxed by the Test Tolerance is given in Annex D.

For all measurements, the minimum output power derived in step (4) of subclause 6.4.4.4.2 shall be at least 29,3 dB below the maximum output power as declared by the manufacturer; see 6.2.

## 6.4.5 Primary CCPCH power

### 6.4.5.1 Definition and applicability

Primary CCPCH power is the transmission power of the Primary Common Control Physical Channel averaged over the transmit timeslot. Primary CCPCH power is signaled on the BCH.

The requirements in this subclause shall apply to base stations intended for general-purpose applications.

### 6.4.5.2 Minimum Requirements

The error between the BCH-broadcast value of the Primary CCPCH power and the Primary CCPCH power averaged over the timeslot shall not exceed the values in table 6.8. The error is a function of the total power averaged over the timeslot,  $P_{out}$ , and the manufacturer's rated output power, PRAT.

**Table 6.8: Errors between Primary CCPCH power and the broadcast value**

| Total power in slot, dB            | PCCPCH power tolerance |
|------------------------------------|------------------------|
| $PRAT - 3 < P_{out} \leq PRAT + 2$ | +/- 2,5 dB             |
| $PRAT - 6 < P \leq PRAT - 3$       | +/- 3,5 dB             |
| $PRAT - 13 < P \leq PRAT - 6$      | +/- 5 dB               |

The normative reference for this requirement is TS 25.105 [1] subclause 6.4.5.

### 6.4.5.3 Test purpose

The power of the Primary CCPCH received by the UE, together with the information on the Primary CCPCH nominal output power signaled on the BCH, are used by the UE for path loss estimation and adjustment of its own transmit power. Therefore, deviations of the Primary CCPCH power from its nominal value are transposed by the UE into deviations from the wanted output power of the UE.

The test purpose is to verify that the Primary CCPCH power remains within its specified tolerances under normal and extreme conditions.

### 6.4.5.4 Method of test

#### 6.4.5.4.1 Initial conditions

##### 6.4.5.4.1.0 General test conditions

Test environment: normal; see subclause 5.9.1.

RF channels to be tested: B, M and T; see subclause 5.3.

##### 6.4.5.4.1.1 3,84 Mcps TDD option

(1) Connect the BS tester to the antenna connector of the BS under test. The BS tester must have the ability to analyze the output signal of the BS under test with respect to code domain power, by applying the global in-channel Tx test method described in Annex C.

(2) Set the parameters of the BS transmitted signal according to table 6.9.

**Table 6.9: Parameters of the BS transmitted signal for Primary CCPCH power testing**

| Parameter                                    | Value/description                                                                           |
|----------------------------------------------|---------------------------------------------------------------------------------------------|
| TDD Duty Cycle                               | TS $i$ ; $i = 0, 1, 2, \dots, 14$ :<br>transmit, if $i$ is even;<br>receive, if $i$ is odd. |
| Time slots carrying PCCPCH                   | TS 0 and TS 8                                                                               |
| Number of additional DPCH in TS 0 and TS 8   | 3                                                                                           |
| BS output power setting                      | PRAT                                                                                        |
| Relative power of PCCPCH                     | $\frac{1}{4}$ of BS output power                                                            |
| Relative power of each DPCH in TS 0 and TS 8 | $\frac{1}{4}$ of BS output power                                                            |
| Data content of DPCH                         | real life<br>(sufficient irregular)                                                         |

#### 6.4.5.4.1.2 1,28 Mcps TDD option

- (1) Connect the BS tester to the antenna connector of the BS under test. The BS tester must have the ability to analyze the output signal of the BS under test with respect to code domain power, by applying the global in-channel Tx test method described in Annex C.
- (2) Set the parameters of the BS transmitted signal according to table 6.9A.

**Table 6.9A: Parameters of the BS transmitted signal for Primary CCPCH power testing for 1,28 Mcps TDD**

| Parameter                  | Value/description                                                                               |
|----------------------------|-------------------------------------------------------------------------------------------------|
| TDD Duty Cycle             | TS $i$ ; $i = 0, 1, 2, \dots, 6$ :<br>transmit, if $i$ is 0,4,5,6;<br>receive, if $i$ is 1,2,3. |
| Time slots carrying PCCPCH | TS 0                                                                                            |
| BS output power setting    | PRAT                                                                                            |
| Relative power of PCCPCH   | $\frac{1}{2}$ of BS output power                                                                |
| Data content of DPCH       | real life<br>(sufficient irregular)                                                             |

#### 6.4.5.4.2 Procedure

##### 6.4.5.4.2.1 3,84 Mcps TDD option

- (1) Measure the PCCPCH power in TS 0 and TS 8 by applying the global in-channel Tx test method described in Annex C.
- (2) Reduce the base station output power by 2 dB, 5 dB and 13 dB, without changing the relative powers of the PCCPCH and the DPCHs, and repeat step (1) for each output power setting.

##### 6.4.5.4.2.2 1,28 Mcps TDD option

- (1) Measure the PCCPCH power in TS 0 by applying the global in-channel Tx test method described in Annex C.
- (2) Reduce the base station output power by 2 dB, 5 dB and 13 dB, without changing the relative powers of the PCCPCH and the DPCHs, and repeat step (1) for each output power setting.

#### 6.4.5.5 Test Requirements

NOTE: If the Test Requirement below differs from the Minimum Requirement, then the Test Tolerance applied for this test is non-zero. The Test Tolerance for this test is defined in subclause 5.1.1 and the explanation of how the Minimum Requirement has been relaxed by the Test Tolerance is given in Annex D.

The Primary CCPCH power, measured according to subclause 6.4.5.4.2, shall be within the limits defined in table 6.10

**Table 6.10: Test Requirements for errors between Primary CCPCH power and the broadcast value**

| Total power in slot, dB            | PCCPCH power tolerance |
|------------------------------------|------------------------|
| $PRAT - 3 < P_{out} \leq PRAT + 2$ | +/- 3,3 dB             |
| $PRAT - 6 < P \leq PRAT - 3$       | +/- 4,3 dB             |
| $PRAT - 13 < P \leq PRAT - 6$      | +/- 5,8 dB             |

## 6.4.6 Differential accuracy of Primary CCPCH power

### 6.4.6.1 Definition and applicability

The differential accuracy of the Primary CCPCH power is the relative transmitted power accuracy of PCCPCH in consecutive frames when the nominal PCCPCH power is not changed.

The requirements in this subclause shall apply to base stations intended for general-purpose applications.

### 6.4.6.2 Minimum Requirements

The differential accuracy of PCCPCH power shall be within  $\pm 0,5$  dB.

The normative reference for this requirement is TS 25.105 [1] subclause 6.4.6.

### 6.4.6.3 Test purpose

The power of the Primary CCPCH received by the UE, together with the information on the Primary CCPCH nominal transmit power signaled on the BCH, are used by the UE for path loss estimation and adjustment of its own transmit power. Therefore, a lack of accuracy of the Primary CCPCH power over time will result in unwanted fluctuations of the transmit power of the UE which may degrade system performance.

The test purpose is to verify that the differential accuracy of the Primary CCPCH power remains within its specified tolerances.

### 6.4.6.4 Method of test

#### 6.4.6.4.1 Initial conditions

##### 6.4.6.4.1.0 General test conditions

Test environment: normal; see subclause 5.9.1.

RF channels to be tested: B, M and T; see subclause 5.3.

##### 6.4.6.4.1.1 3,84 Mcps TDD option

- 1) Connect the BS tester to the antenna connector of the BS under test. The BS tester must have the ability to analyze the output signal of the BS under test with respect to code domain power, by applying the global in-channel Tx test method described in Annex C.
- 2) Set the parameters of the BS transmitted signal according to table 6.10A.

**Table 6.10A: Parameters of the BS transmitted signal for testing of differential accuracy of the Primary CCPCH power**

| Parameter                                    | Value/description                                                                           |
|----------------------------------------------|---------------------------------------------------------------------------------------------|
| TDD Duty Cycle                               | TS $i$ ; $i = 0, 1, 2, \dots, 14$ :<br>transmit, if $i$ is even;<br>receive, if $i$ is odd. |
| Time slots carrying PCCPCH                   | TS 0 and TS 8                                                                               |
| Number of additional DPCH in TS 0 and TS 8   | 3                                                                                           |
| BS output power setting                      | PRAT                                                                                        |
| Relative power of PCCPCH                     | $\frac{1}{4}$ of BS output power                                                            |
| Relative power of each DPCH in TS 0 and TS 8 | $\frac{1}{4}$ of BS output power                                                            |
| Data content of DPCH                         | real life<br>(sufficient irregular)                                                         |

## 6.4.6.4.1.2 1,28 Mcps TDD option

- 1) Connect the BS tester to the antenna connector of the BS under test. The BS tester must have the ability to analyze the output signal of the BS under test with respect to code domain power, by applying the global in-channel Tx test method described in Annex C.
- 2) Set the parameters of the BS transmitted signal according to table 6.9A.

**Table 6.10B: Parameters of the BS transmitted signal for testing of differential accuracy of the Primary CCPCH power for 1,28 Mcps TDD**

| Parameter                  | Value/description                                                                               |
|----------------------------|-------------------------------------------------------------------------------------------------|
| TDD Duty Cycle             | TS $i$ ; $i = 0, 1, 2, \dots, 6$ :<br>transmit, if $i$ is 0,4,5,6;<br>receive, if $i$ is 1,2,3. |
| Time slots carrying PCCPCH | TS 0                                                                                            |
| BS output power setting    | PRAT                                                                                            |
| Relative power of PCCPCH   | $\frac{1}{2}$ of BS output power                                                                |
| Data content of DPCH       | real life<br>(sufficient irregular)                                                             |

## 6.4.6.4.2 Procedure

## 6.4.6.4.2.1 3,84 Mcps TDD option

- 1) Measure the PCCPCH power in TS 0 and TS 8 of consecutive frames by applying the global in-channel Tx test method described in Annex C.
- 2) Calculate the differential accuracy of the Primary CCPCH power by taking the the difference between the PCCPCH power measurement results of consecutive frames.

## 6.4.6.4.2.2 1,28 Mcps TDD option

- 1) Measure the PCCPCH power in TS 0 of consecutive frames by applying the global in-channel Tx test method described in Annex C.
- 2) Calculate the differential accuracy of the Primary CCPCH power by taking the the difference between the PCCPCH power measurement results of consecutive frames.

## 6.4.6.5 Test Requirements

NOTE: If the Test Requirement below differs from the Minimum Requirement, then the Test Tolerance applied for this test is non-zero. The Test Tolerance for this test is defined in subclause 5.11 and the explanation of how the Minimum Requirement has been relaxed by the Test Tolerance is given in Annex D.

The differential accuracy of the Primary CCPCH power, measured according to subclause 6.4.6.4.2, shall be within  $\pm 0,6$  dB.

## 6.5 Transmit ON/OFF power

### 6.5.1 Transmit OFF power

#### 6.5.1.1 Definition and applicability

The transmit OFF power is defined as the average power measured over one chip when the transmitter is off. The transmit OFF power state is when the BS does not transmit.

The requirements in this subclause shall apply to base stations intended for general purpose applications.

#### 6.5.1.2 Minimum Requirements

##### 6.5.1.2.1 3,84 Mcps TDD option

The transmit OFF power shall be less than  $-79$  dBm measured with a filter that has a Root-Raised Cosine (RRC) filter response with a roll-off  $\alpha = 0,22$  and a bandwidth equal to the chip rate.

##### 6.5.1.2.2 1,28 Mcps TDD option

The transmit OFF power shall be less than  $-82$  dBm measured with a filter that has a Root-Raised Cosine (RRC) filter response with a roll-off  $\alpha = 0,22$  and a bandwidth equal to the chip rate.

The normative reference for this requirement is TS 25.105 [1] subclause 6.5.1.

#### 6.5.1.3 Test purpose

This test verifies the ability of the BS to reduce its transmit OFF power to a value below the specified limit. This ability is needed to minimize the interference for other users receiving on the same frequency.

#### 6.5.1.4 Method of test

##### 6.5.1.4.1 Initial conditions

The conformance testing of transmit OFF power is included in the conformance testing of transmit ON/OFF time mask; therefore, see subclause 6.5.2.4.1 for initial conditions.

##### 6.5.1.4.2 Procedure

The conformance testing of transmit OFF power is included in the conformance testing of transmit ON/OFF time mask; therefore, see subclause 6.5.2.4.2 for procedure.

#### 6.5.1.5 Test Requirements

The conformance testing of transmit OFF power is included in the conformance testing of transmit ON/OFF time mask; therefore, see subclause 6.5.2.5 for test requirements.

### 6.5.2 Transmit ON/OFF time mask

#### 6.5.2.1 Definition and applicability

The transmit ON/OFF time mask defines the ramping time allowed for the BS between transmit OFF power and transmit ON power.



The requirements in this subclause shall apply to base stations intended for general-purpose applications.

### 6.5.2.2 Minimum Requirements

#### 6.5.2.2.1 3,84 Mcps TDD option

The transmit power level versus time should meet the mask specified in figure 6.1.

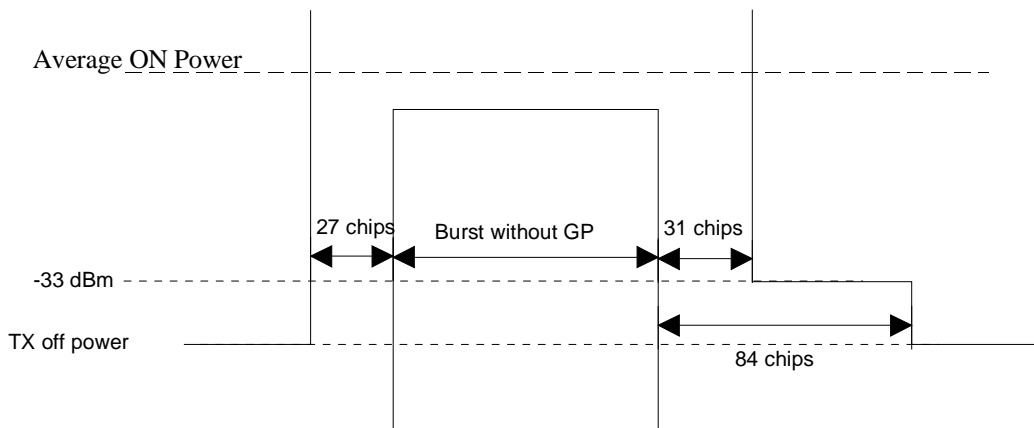


Figure 6.1: Transmit ON/OFF template

#### 6.5.2.2.2 1,28 Mcps TDD option

The transmit power level versus time should meet the mask specified in figure 6.1A.

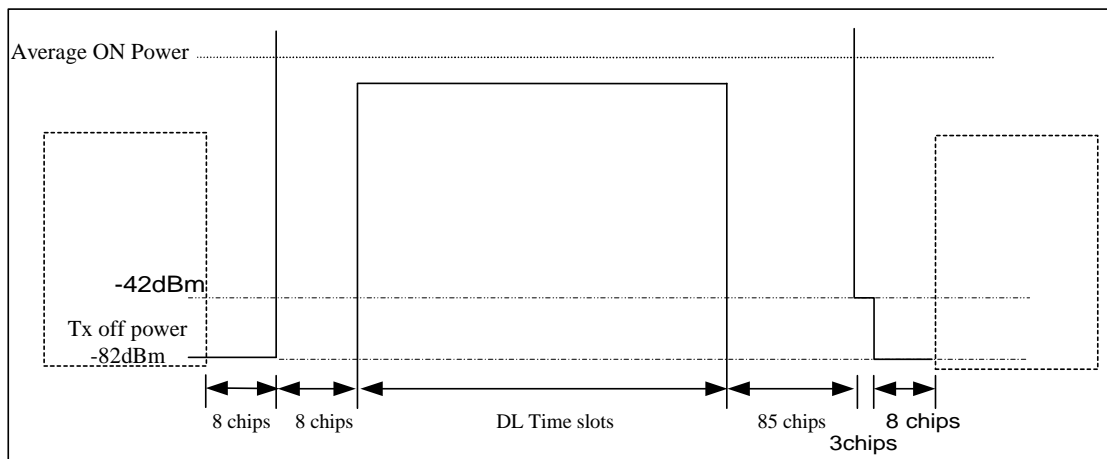


Figure 6.1A: Transmit ON/OFF template for 1,28 Mcps TDD option

The normative reference for this requirement is TS 25.105 [1] subclause 6.5.2.

### 6.5.2.3 Test purpose

This test verifies the ability of the BS to reduce its transmit power outside of the active part of the Tx time slot (burst without guard period) to values below specified limits. This ability is needed to minimize the interference for other users receiving on the same frequency.

## 6.5.2.4 Method of test

### 6.5.2.4.1 Initial conditions

#### 6.5.2.4.1.0 General test conditions

Test environment: normal; see subclause 5.9.1.

RF channels to be tested: B, M and T; see subclause 5.3.

#### 6.5.2.4.1.1 3,84 Mcps TDD option

- (1) Connect the power measuring equipment to the BS antenna connector.
- (2) Set the parameters of the transmitted signal according to table 6.11.

**Table 6.11: Parameters of the transmitted signal for transmit ON/OFF time mask test**

| Parameter                        | Value/description                                                                           |
|----------------------------------|---------------------------------------------------------------------------------------------|
| TDD Duty Cycle                   | TS $i$ ; $i = 0, 1, 2, \dots, 14$ :<br>transmit, if $i$ is even;<br>receive, if $i$ is odd. |
| BS output power setting          | PRAT                                                                                        |
| Number of DPCH in each active TS | 9                                                                                           |
| Power of each DPCH               | 1/9 of Base Station output power                                                            |
| Data content of DPCH             | Real life<br>(sufficient irregular)                                                         |

#### 6.5.2.4.1.2 1,28 Mcps TDD option

- (1) Connect the power measuring equipment to the BS antenna connector.
- (2) Set the parameters of the transmitted signal according to table 6.11A.

**Table 6.11A: Parameters of the transmitted signal for transmit ON/OFF time mask test for 1,28 Mcps TDD**

| Parameter                        | Value/description                                                                                       |
|----------------------------------|---------------------------------------------------------------------------------------------------------|
| TDD Duty Cycle                   | TS $i$ ; $i = 0, 1, 2, 3, 4, 5, 6$ :<br>transmit, if $i$ is 0,4,5,6;<br>receive, if $i$ is UpPCH,1,2,3. |
| BS output power setting          | PRAT                                                                                                    |
| Number of DPCH in each active TS | 8                                                                                                       |
| Power of each DPCH               | 1/8 of Base Station output power                                                                        |
| Data content of DPCH             | real life<br>(sufficient irregular)                                                                     |

### 6.5.2.4.2 Procedure

#### 6.5.2.4.2.1 3,84 Mcps TDD option

- (1) Measure the power of the BS output signal chipwise (i.e. averaged over time intervals of one chip duration) over the period starting 65 chips before the start of the odd time slots TS  $i$  (receive time slots of the BS), and ending 27 chips before the next even time slot (transmit time slot of the BS) starts, and with a measurement filter that has a RRC filter response with a roll off  $\alpha = 0,22$  and a bandwidth equal to the chip rate. If the power measuring equipment is based on signal sampling, the sampling theorem shall be met. In this case, the power is determined by calculating the RMS value of the signal samples taken at the measurement filter output over one chip duration.

#### 6.5.2.4.2.2 1,28 Mcps TDD option

- (1) Measure the power of the BS output signal chipwise (i.e. averaged over time intervals of one chip duration) over the transmit off power period starting 11 chips before the start of the receive time slot  $TS\ i = UpPCH$ , and ending 8 chips before the next transmit time slot  $TS\ i=4$  starts, and with a measurement filter that has a RRC filter response with a roll off  $\alpha = 0,22$  and a bandwidth equal to the chip rate. If the power measuring equipment is based on signal sampling, the sampling theorem shall be met. In this case, the power is determined by calculating the RMS value of the signal samples taken at the measurement filter output over one chip duration.

#### 6.5.2.5 Test Requirements

NOTE: If the Test Requirements below differ from the Minimum Requirements, then the Test Tolerance applied for this test is non-zero. The Test Tolerance for this test is defined in subclause 5.11 and the explanation of how the Minimum Requirement has been relaxed by the Test Tolerance is given in Annex D.

##### 6.5.2.5.1 3,84 Mcps TDD option

Each value of the power measured according to subclause 6.5.4.2 shall be below  $-32,3$  dBm in the period from 32 chips to 84 chips after the burst and  $-77$  dBm in the period where the Tx OFF power specification is applicable

##### 6.5.2.5.2 1,28 Mcps TDD option

Each value of the power measured according to subclause 6.5.4.2 shall be below the limits defined in figure 6.1A of subclause 6.5.2.2.

## 6.6 Output RF spectrum emissions

### 6.6.1 Occupied bandwidth

#### 6.6.1.1 Definition and applicability

Occupied bandwidth is a measure of the bandwidth containing 99% of the total integrated power for transmitted spectrum and is centered on the assigned channel frequency.

The requirements in this subclause shall apply to base stations intended for general-purpose applications.

#### 6.6.1.2 Minimum Requirements

##### 6.6.1.2.1 3,84 Mcps TDD option

The occupied bandwidth shall be less than 5 MHz based on a chip rate of 3,84 Mcps.

The normative reference for this requirement is TS 25.105 [1] subclause 6.6.1.1.

##### 6.6.1.2.2 1,28 Mcps TDD option

The occupied bandwidth shall be less than 1,6 MHz based on a chip rate of 1,28 Mcps.

The reference for this requirement is TS 25.105 [1] subclause 6.6.1.2.

#### 6.6.1.3 Test purpose

The occupied bandwidth, defined in the Radio Regulations of the International Telecommunication Union ITU, is a useful concept for specifying the spectral properties of a given emission in the simplest possible manner; see also Recommendation ITU-R SM.328-9 [7]. The test purpose is to verify that the emission of the BS does not occupy an excessive bandwidth for the service to be provided and is, therefore, not likely to create interference to other users of the spectrum beyond undue limits.

## 6.6.1.4 Method of test

### 6.6.1.4.1 Initial conditions

#### 6.6.1.4.1.0 General test conditions

Test environment: normal; see subclause 5.9.1.

RF channels to be tested: B, M and T; see subclause 5.3.

#### 6.6.1.4.1.1 3,84 Mcps TDD option

- (1) Connect the measuring equipment to the antenna connector of the BS under test.
- (2) Set the parameters of the BS transmitted signal according to table 6.12.

**Table 6.12: Parameters of the BS transmitted signal for occupied bandwidth testing**

| Parameter                        | Value/description                                                                           |
|----------------------------------|---------------------------------------------------------------------------------------------|
| TDD Duty Cycle                   | TS $i$ ; $i = 0, 1, 2, \dots, 14$ :<br>transmit, if $i$ is even;<br>receive, if $i$ is odd. |
| BS output power setting          | PRAT                                                                                        |
| Number of DPCH in each active TS | 9                                                                                           |
| Power of each DPCH               | 1/9 of Base Station output power                                                            |
| Data content of DPCH             | Real life<br>(sufficient irregular)                                                         |

#### 6.6.1.4.1.2 1,28 Mcps TDD option

- (1) Connect the measuring equipment to the antenna connector of the BS under test.
- (2) Set the parameters of the BS transmitted signal according to table 6.12A.

**Table 6.12A: Parameters of the BS transmitted signal for occupied bandwidth testing for 1,28 Mcps TDD**

| Parameter                        | Value/description                                                                                 |
|----------------------------------|---------------------------------------------------------------------------------------------------|
| TDD Duty Cycle                   | TS $i$ ; $i = 0, 1, 2, 3, 4, 5, 6$ :<br>transmit, if $i$ is 0,4,5,6;<br>receive, if $i$ is 1,2,3. |
| BS output power setting          | PRAT                                                                                              |
| Number of DPCH in each active TS | 8                                                                                                 |
| Power of each DPCH               | 1/8 of Base Station output power                                                                  |
| Data content of DPCH             | real life<br>(sufficient irregular)                                                               |

### 6.6.1.4.2 Procedure

#### 6.6.1.4.2.1 3,84 Mcps TDD option

- (1) Measure the power of the transmitted signal with a measurement filter of bandwidth 30 kHz. The characteristic of the filter shall be approximately Gaussian (typical spectrum analyzer filter). The centre frequency of the filter shall be stepped in contiguous 30 kHz steps from a minimum frequency, which shall be  $(7,5 - 0,015)$  MHz below the assigned channel frequency of the transmitted signal, up to a maximum frequency, which shall be  $(7,5 + 0,015)$  MHz above the assigned channel frequency of the transmitted signal. The time duration of each step shall be sufficiently long to capture one active time slot. The measured power shall be recorded for each step.
- (2) Determine the total output power by accumulating the recorded power measurement results of all steps.

- (3) Sum up the recorded power measurement results, starting from the step at the minimum frequency defined in (1) up to the step at a lower limit frequency by which this sum is equal to or greater than 0.5 % of the total output power determined in (2). This limit frequency is recorded as "Lower Frequency".
- (4) Sum up the recorded power measurement results, starting from the step at the maximum frequency defined in (1) down to the step at an upper limit frequency by which this sum is equal to or greater than 0.5 % of the total output power determined in (2). This limit frequency is recorded as "Upper Frequency".
- (5) Calculate the occupied bandwidth as the difference between the "Upper Frequency" obtained in (3) and the "Lower Frequency" obtained in (4).

#### 6.6.1.4.2.2 1,28 Mcps TDD option

- (1) Measure the power of the transmitted signal with a measurement filter of bandwidth 30 kHz. The characteristic of the filter shall be approximately Gaussian (typical spectrum analyser filter). The centre frequency of the filter shall be stepped in contiguous 30 kHz steps from a minimum frequency, which shall be  $(2,4 - 0,015)$  MHz below the assigned channel frequency of the transmitted signal, up to a maximum frequency, which shall be  $(2,4 + 0,015)$  MHz above the assigned channel frequency of the transmitted signal. The time duration of each step shall be sufficiently long to capture one active time slot. The measured power shall be recorded for each step.
- (2) Determine the total output power by accumulating the recorded power measurement results of all steps.
- (3) Sum up the recorded power measurement results, starting from the step at the minimum frequency defined in (1) up to the step at a lower limit frequency by which this sum is equal to or greater than 0,5 % of the total output power determined in (2). This limit frequency is recorded as "Lower Frequency".
- (4) Sum up the recorded power measurement results, starting from the step at the maximum frequency defined in (1) down to the step at an upper limit frequency by which this sum is equal to or greater than 0,5 % of the total output power determined in (2). This limit frequency is recorded as "Upper Frequency".
- (5) Calculate the occupied bandwidth as the difference between the "Upper Frequency" obtained in (3) and the "Lower Frequency" obtained in (4).

#### 6.6.1.5 Test Requirements

NOTE: If the Test Requirement below differ from the Minimum Requirements, then the Test Tolerance applied for this test is non-zero. The Test Tolerance for this test is defined in subclause 5.11 and the explanation of how the Minimum Requirement has been relaxed by the Test Tolerance is given in Annex D.

##### 6.6.1.5.1 3,84 Mcps TDD option

The occupied bandwidth calculated in step (5) of subclause 6.6.1.4.2.1 shall be less than 5 MHz.

##### 6.6.1.5.2 1,28 Mcps TDD option

The occupied bandwidth calculated in step (5) of subclause 6.6.1.4.2.2 shall be less than 1,6 MHz.

#### 6.6.2 Out of band emission

Out of band emissions are unwanted emissions immediately outside the channel bandwidth resulting from the modulation process and non-linearity in the transmitter but excluding spurious emissions. This out of band emission requirement is specified both in terms of a spectrum emission mask and adjacent channel power ratio for the transmitter.

## 6.6.2.1 Spectrum emission mask

### 6.6.2.1.1 Definition and applicability

#### 6.6.2.1.1.1 3,84 Mcps TDD option

The spectrum emission mask specifies the limit of the transmitter out of band emissions at frequency offsets from the assigned channel frequency of the wanted signal between 2,5 MHz and 12,5 MHz.

The mask defined in subclause 6.6.2.1.2.1 below may be mandatory in certain regions. In other regions this mask may not be applied.

#### 6.6.2.1.1.2 1,28 Mcps TDD option

The spectrum emission mask specifies the limit of the transmitter out of band emissions at frequency offsets from the assigned channel frequency of the wanted signal between 0,8 MHz and 4 MHz.

The mask defined in subclause 6.6.2.1.2.2 below may be mandatory in certain regions. In other regions this mask may not be applied.

### 6.6.2.1.2 Minimum Requirements

#### 6.6.2.1.2.1 3,84 Mcps TDD option

For regions where this subclause applies, the requirement shall be met by a base station transmitting on a single RF carrier configured in accordance with the manufacturer's specification. Emissions shall not exceed the maximum level specified in tables 6.13 to 6.16 in the frequency range of  $f_{\text{offset}}$  from 2,515 MHz to  $f_{\text{offset}_{\text{max}}}$  from the carrier frequency, where:

$f_{\text{offset}}$  is the separation between the carrier frequency and the centre of the measurement filter

$f_{\text{offset}_{\text{max}}}$  is either 12,5 MHz or the offset to the UMTS Tx band edge as defined in subclause 4.2, whichever is the greater.

**Table 6.13: Spectrum emission mask values, BS rated output power PRAT  $\geq$  43 dBm**

| Frequency offset of measurement filter centre frequency, $f_{\text{offset}}$ | Maximum level                                            | Measurement bandwidth |
|------------------------------------------------------------------------------|----------------------------------------------------------|-----------------------|
| $2,515 \text{ MHz} \leq f_{\text{offset}} < 2,715 \text{ MHz}$               | -14 dBm                                                  | 30 kHz                |
| $2,715 \text{ MHz} \leq f_{\text{offset}} < 3,515 \text{ MHz}$               | $-14 - 15 \cdot (f_{\text{offset}} - 2,715) \text{ dBm}$ | 30 kHz                |
| $3,515 \text{ MHz} \leq f_{\text{offset}} < 4,0 \text{ MHz}$                 | -26 dBm                                                  | 30 kHz                |
| $4,0 \text{ MHz} \leq f_{\text{offset}} < 8,0 \text{ MHz}$                   | -13 dBm                                                  | 1 MHz                 |
| $8,0 \text{ MHz} \leq f_{\text{offset}} < f_{\text{offset}_{\text{max}}}$    | -13 dBm                                                  | 1 MHz                 |

**Table 6.14: Spectrum emission mask values, BS rated output power  $39 \leq \text{PRAT} < 43 \text{ dBm}$**

| Frequency offset of measurement filter centre frequency, $f_{\text{offset}}$ | Maximum level                                            | Measurement bandwidth |
|------------------------------------------------------------------------------|----------------------------------------------------------|-----------------------|
| $2,515 \text{ MHz} \leq f_{\text{offset}} < 2,715 \text{ MHz}$               | -14 dBm                                                  | 30 kHz                |
| $2,715 \text{ MHz} \leq f_{\text{offset}} < 3,515 \text{ MHz}$               | $-14 - 15 \cdot (f_{\text{offset}} - 2,715) \text{ dBm}$ | 30 kHz                |
| $3,515 \text{ MHz} \leq f_{\text{offset}} < 4,0 \text{ MHz}$                 | -26 dBm                                                  | 30 kHz                |
| $4,0 \text{ MHz} \leq f_{\text{offset}} < 8,0 \text{ MHz}$                   | -13 dBm                                                  | 1 MHz                 |
| $8,0 \text{ MHz} \leq f_{\text{offset}} < f_{\text{offset}_{\text{max}}}$    | $P - 56 \text{ dBm}$                                     | 1 MHz                 |

**Table 6.15: Spectrum emission mask values, BS rated output power  $31 \leq \text{PRAT} < 39$  dBm**

| Frequency offset of measurement filter centre frequency, $f_{\text{offset}}$ | Maximum level                                               | Measurement bandwidth |
|------------------------------------------------------------------------------|-------------------------------------------------------------|-----------------------|
| $2,515 \text{ MHz} \leq f_{\text{offset}} < 2,715 \text{ MHz}$               | $P - 53 \text{ dBm}$                                        | 30 kHz                |
| $2,715 \text{ MHz} \leq f_{\text{offset}} < 3,515 \text{ MHz}$               | $P - 53 - 15 \cdot (f_{\text{offset}} - 2,715) \text{ dBm}$ | 30 kHz                |
| $3,515 \text{ MHz} \leq f_{\text{offset}} < 4,0 \text{ MHz}$                 | $P - 65 \text{ dBm}$                                        | 30 kHz                |
| $4,0 \text{ MHz} \leq f_{\text{offset}} < 8,0 \text{ MHz}$                   | $P - 52 \text{ dBm}$                                        | 1 MHz                 |
| $8,0 \text{ MHz} \leq f_{\text{offset}} < f_{\text{offset}_{\text{max}}}$    | $P - 56 \text{ dBm}$                                        | 1 MHz                 |

**Table 6.16: Spectrum emission mask values, BS rated output power  $\text{PRAT} < 31$  dBm**

| Frequency offset of measurement filter centre frequency, $f_{\text{offset}}$ | Maximum level                                            | Measurement bandwidth |
|------------------------------------------------------------------------------|----------------------------------------------------------|-----------------------|
| $2,515 \text{ MHz} \leq f_{\text{offset}} < 2,715 \text{ MHz}$               | -22 dBm                                                  | 30 kHz                |
| $2,715 \text{ MHz} \leq f_{\text{offset}} < 3,515 \text{ MHz}$               | $-22 - 15 \cdot (f_{\text{offset}} - 2,715) \text{ dBm}$ | 30 kHz                |
| $3,515 \text{ MHz} \leq f_{\text{offset}} < 4,0 \text{ MHz}$                 | -34 dBm                                                  | 30 kHz                |
| $4,0 \text{ MHz} \leq f_{\text{offset}} < 8,0 \text{ MHz}$                   | -21 dBm                                                  | 1 MHz                 |
| $8,0 \text{ MHz} \leq f_{\text{offset}} < f_{\text{offset}_{\text{max}}}$    | -25 dBm                                                  | 1 MHz                 |

The normative reference for this requirement is TS 25.105 [1] subclause 6.6.2.1.1

#### 6.6.2.1.2.2 1,28 Mcps TDD option

For regions where this subclause applies, the requirement shall be met by a base station transmitting on a single RF carrier configured in accordance with the manufacturer's specification. Emissions shall not exceed the maximum level specified in tables 6.13A to 16A in the frequency range of  $f_{\text{offset}}$  from 0.815 MHz to  $f_{\text{offset}_{\text{max}}}$  from the carrier frequency, where:

- $f_{\text{offset}}$  is the separation between the carrier frequency and the centre of the measurement filter
- $f_{\text{offset}_{\text{max}}}$  is either 4 MHz or the offset to the UMTS Tx band edge as defined in subclause 4.2, whichever is the greater.

**Table 6.13A: Spectrum emission mask values, BS maximum output power  $P \geq 43$  dBm for 1,28 Mcps TDD**

| Frequency offset of measurement filter centre frequency, $f_{\text{offset}}$ | Maximum level                                    | Measurement bandwidth |
|------------------------------------------------------------------------------|--------------------------------------------------|-----------------------|
| $0.815\text{MHz} \leq f_{\text{offset}} < 1.015\text{MHz}$                   | -14 dBm                                          | 30 kHz                |
| $1.015\text{MHz} \leq f_{\text{offset}} < 1.815\text{MHz}$                   | $-14 - 15 \cdot (f_{\text{offset}} - 1.015)$ dBm | 30 kHz                |
| $1.815\text{MHz} \leq f_{\text{offset}} < 2.3\text{MHz}$                     | -28 dBm                                          | 30 kHz                |
| $2.3\text{MHz} \leq f_{\text{offset}} < f_{\text{offset}_{\text{max}}}$      | -13 dBm                                          | 1 MHz                 |

**Table 6.14A: Spectrum emission mask values, BS maximum output power  $39 \leq P < 43$  dBm for 1,28 Mcps TDD**

| Frequency offset of measurement filter centre frequency, $f_{\text{offset}}$ | Maximum level                                    | Measurement bandwidth |
|------------------------------------------------------------------------------|--------------------------------------------------|-----------------------|
| $0.815\text{MHz} \leq f_{\text{offset}} < 1.015\text{MHz}$                   | -14 dBm                                          | 30 kHz                |
| $1.015\text{MHz} \leq f_{\text{offset}} < 1.815\text{MHz}$                   | $-14 - 15 \cdot (f_{\text{offset}} - 1.015)$ dBm | 30 kHz                |
| $1.815\text{MHz} \leq f_{\text{offset}} < 2.415\text{MHz}$                   | -28 dBm                                          | 30 kHz                |
| $2.415\text{MHz} \leq f_{\text{offset}} < 2.9\text{MHz}$                     | P-71 dBm                                         | 30 kHz                |
| $2.9\text{MHz} \leq f_{\text{offset}} < f_{\text{offset}_{\text{max}}}$      | P - 56 dBm                                       | 1 MHz                 |

**Table 6.15A: Spectrum emission mask values, BS maximum output power  $31 \leq P < 39$  dBm for 1,28 Mcps TDD**

| Frequency offset of measurement filter centre frequency, $f_{\text{offset}}$ | Maximum level                                       | Measurement bandwidth |
|------------------------------------------------------------------------------|-----------------------------------------------------|-----------------------|
| $0.815\text{MHz} \leq f_{\text{offset}} < 1.015\text{MHz}$                   | P - 53 dBm                                          | 30 kHz                |
| $1.015\text{MHz} \leq f_{\text{offset}} < 1.815\text{MHz}$                   | $P - 53 - 15 \cdot (f_{\text{offset}} - 1.015)$ dBm | 30 kHz                |
| $1.815\text{MHz} \leq f_{\text{offset}} < 2.415\text{MHz}$                   | P - 67 dBm                                          | 30 kHz                |
| $2.415\text{MHz} \leq f_{\text{offset}} < 2.9\text{MHz}$                     | P - 71 dBm                                          | 30 kHz                |
| $2.9\text{MHz} \leq f_{\text{offset}} < f_{\text{offset}_{\text{max}}}$      | P - 56 dBm                                          | 1 MHz                 |

**Table 6.16A: Spectrum emission mask values, BS maximum output power  $P < 31$  dBm for 1,28 Mcps TDD**

| Frequency offset of measurement filter centre frequency, $f_{\text{offset}}$ | Maximum level                                    | Measurement bandwidth |
|------------------------------------------------------------------------------|--------------------------------------------------|-----------------------|
| $0.815\text{MHz} \leq f_{\text{offset}} < 1.015\text{MHz}$                   | -22 dBm                                          | 30 kHz                |
| $1.015\text{MHz} \leq f_{\text{offset}} < 1.815\text{MHz}$                   | $-22 - 15 \cdot (f_{\text{offset}} - 1.015)$ dBm | 30 kHz                |
| $1.815\text{MHz} \leq f_{\text{offset}} < 2.415\text{MHz}$                   | -36 dBm                                          | 30 kHz                |
| $2.415\text{MHz} \leq f_{\text{offset}} < 2.9\text{MHz}$                     | -40 dBm                                          | 30 kHz                |
| $2.9\text{MHz} \leq f_{\text{offset}} < f_{\text{offset}_{\text{max}}}$      | -25 dBm                                          | 1 MHz                 |

The normative reference for this requirement is TS 25.105 [1] subclause 6.6.2.1.2.

### 6.6.2.1.3 Test purpose

The test purpose is to verify that the BS out of band emissions do not result in undue interference to any other system (wideband, narrowband) operating at frequencies close to the assigned channel bandwidth of the wanted signal.

This test is independent of the characteristics of possible victim systems and, therefore, complements the tests on occupied bandwidth in 6.6.1 (verifying the spectral concentration of the BS Tx emissions) and on ACLR in 6.6.2.2 (simulating the perception of other UTRA receivers).



## 6.6.2.1.4 Method of test

## 6.6.2.1.4.1 Initial conditions

## 6.6.2.1.4.1.0 General test conditions

Test environment: normal; see subclause 5.9.1.

RF channels to be tested: B, M and T; see subclause 5.3.

## 6.6.2.1.4.1.1 3,84 Mcps TDD option

- (1) Connect the measuring equipment to the antenna connector of the BS under test.
- (2) Set the parameters of the BS transmitted signal according to table 6.17.

**Table 6.17: Parameters of the BS transmitted signal for spectrum emission mask testing**

| Parameter                        | Value/description                                                                           |
|----------------------------------|---------------------------------------------------------------------------------------------|
| TDD Duty Cycle                   | TS $i$ ; $i = 0, 1, 2, \dots, 14$ :<br>transmit, if $i$ is even;<br>receive, if $i$ is odd. |
| BS output power setting          | PRAT                                                                                        |
| Number of DPCH in each active TS | 9                                                                                           |
| Power of each DPCH               | 1/9 of Base Station output power                                                            |
| Data content of DPCH             | real life<br>(sufficient irregular)                                                         |

## 6.6.2.1.4.1.2 1,28 Mcps TDD option

- (1) Connect the measuring equipment to the antenna connector of the BS under test.
- (2) Set the parameters of the BS transmitted signal according to table 6.17A.

**Table 6.17A: Parameters of the BS transmitted signal for spectrum emission mask testing for 1,28 Mcps TDD**

| Parameter                        | Value/description                                                                                 |
|----------------------------------|---------------------------------------------------------------------------------------------------|
| TDD Duty Cycle                   | TS $i$ ; $i = 0, 1, 2, 3, 4, 5, 6$ :<br>transmit, if $i$ is 0,4,5,6;<br>receive, if $i$ is 1,2,3. |
| BS output power setting          | PRAT                                                                                              |
| Number of DPCH in each active TS | 8                                                                                                 |
| Power of each DPCH               | 1/8 of Base Station output power                                                                  |
| Data content of DPCH             | real life<br>(sufficient irregular)                                                               |

## 6.6.2.1.4.2 Procedure

## 6.6.2.1.4.2.1 3,84 Mcps TDD option

Measure the power of the BS spectrum emissions by applying measurement filters with bandwidths as specified in the relevant table in subclause 6.6.2.1.2.1. The characteristic of the filters shall be approximately Gaussian (typical spectrum analyzer filters). The centre frequency of the filter shall be stepped in contiguous steps over the ranges of frequency offsets  $f_{\text{offset}}$  as given in the tables. The step width shall be equal to the respective measurement bandwidth. The time duration of each step shall be sufficiently long to capture one active time slot.

For frequency offsets of the measurement filter centre frequency in the range  $4,0 \text{ MHz} \leq f_{\text{offset}} < f_{\text{offset}_{\text{max}}}$ , the measurement shall be performed by applying filters with measurement bandwidth of 50 kHz or less and integrating the measured results over the nominal measurement bandwidth 1 MHz specified in the tables in subclause 6.6.2.1.2.1.

## 6.6.2.1.4.2.2 1,28 Mcps TDD option

Measure the power of the BS spectrum emissions by applying measurement filters with bandwidths as specified in the relevant table in subclause 6.6.2.1.2.2. The characteristic of the filters shall be approximately Gaussian (typical spectrum analyzer filters). The centre frequency of the filter shall be stepped in contiguous steps over the ranges of frequency offsets  $f_{\text{offset}}$  as given in the tables. The step width shall be equal to the respective measurement bandwidth. The time duration of each step shall be sufficiently long to capture one active time slot.

The measurement shall be performed by applying filters with measurement bandwidth of 50 kHz or less and integrating the measured results over the nominal measurement bandwidth 1 MHz specified in the tables in subclause 6.6.2.1.2.2 when the measurement bandwidth is 1MHz.

## 6.6.2.1.5 Test Requirements

NOTE: If the Test Requirements below differ from the Minimum Requirements, then the Test Tolerance applied for this test is non-zero. The Test Tolerance for this test is defined in subclause 5.11 and the explanation of how the Minimum Requirement has been relaxed by the Test Tolerance is given in Annex D.

## 6.6.2.1.5.1 3,84 Mcps TDD option

The spectrum emissions measured according to subclause 6.6.2.1.4.2.1 shall not exceed the maximum level specified in tables 6.18 to 6.21 for the appropriate BS rated output power

**Table 6.18: Test Requirements for spectrum emission mask values, BS rated output power PRAT  $\geq$  43 dBm**

| Frequency offset of measurement filter centre frequency, $f_{\text{offset}}$ | Maximum level                                              | Measurement bandwidth |
|------------------------------------------------------------------------------|------------------------------------------------------------|-----------------------|
| $2,515 \text{ MHz} \leq f_{\text{offset}} < 2,715 \text{ MHz}$               | -12,5 dBm                                                  | 30 kHz                |
| $2,715 \text{ MHz} \leq f_{\text{offset}} < 3,515 \text{ MHz}$               | $-12,5 - 15 \cdot (f_{\text{offset}} - 2,715) \text{ dBm}$ | 30 kHz                |
| $3,515 \text{ MHz} \leq f_{\text{offset}} < 4,0 \text{ MHz}$                 | -24,5 dBm                                                  | 30 kHz                |
| $4,0 \text{ MHz} \leq f_{\text{offset}} < 8,0 \text{ MHz}$                   | -11,5 dBm                                                  | 1 MHz                 |
| $8,0 \text{ MHz} \leq f_{\text{offset}} < f_{\text{offset}_{\text{max}}}$    | -11,5 dBm                                                  | 1 MHz                 |

**Table 6.19: Test Requirements for spectrum emission mask values, BS rated output power  $39 \leq \text{PRAT} < 43 \text{ dBm}$**

| Frequency offset of measurement filter centre frequency, $f_{\text{offset}}$ | Maximum level                                              | Measurement bandwidth |
|------------------------------------------------------------------------------|------------------------------------------------------------|-----------------------|
| $2,515 \text{ MHz} \leq f_{\text{offset}} < 2,715 \text{ MHz}$               | -12,5 dBm                                                  | 30 kHz                |
| $2,715 \text{ MHz} \leq f_{\text{offset}} < 3,515 \text{ MHz}$               | $-12,5 - 15 \cdot (f_{\text{offset}} - 2,715) \text{ dBm}$ | 30 kHz                |
| $3,515 \text{ MHz} \leq f_{\text{offset}} < 4,0 \text{ MHz}$                 | -24,5 dBm                                                  | 30 kHz                |
| $4,0 \text{ MHz} \leq f_{\text{offset}} < 8,0 \text{ MHz}$                   | -11,5 dBm                                                  | 1 MHz                 |
| $8,0 \text{ MHz} \leq f_{\text{offset}} < f_{\text{offset}_{\text{max}}}$    | $P - 54,5 \text{ dBm}$                                     | 1 MHz                 |

**Table 6.20: Test Requirements for spectrum emission mask values, BS rated output power  $31 \leq \text{PRAT} < 39 \text{ dBm}$**

| Frequency offset of measurement filter centre frequency, $f_{\text{offset}}$ | Maximum level                                                 | Measurement bandwidth |
|------------------------------------------------------------------------------|---------------------------------------------------------------|-----------------------|
| $2,515 \text{ MHz} \leq f_{\text{offset}} < 2,715 \text{ MHz}$               | $P - 51,5 \text{ dBm}$                                        | 30 kHz                |
| $2,715 \text{ MHz} \leq f_{\text{offset}} < 3,515 \text{ MHz}$               | $P - 51,5 - 15 \cdot (f_{\text{offset}} - 2,715) \text{ dBm}$ | 30 kHz                |
| $3,515 \text{ MHz} \leq f_{\text{offset}} < 4,0 \text{ MHz}$                 | $P - 63,5 \text{ dBm}$                                        | 30 kHz                |
| $4,0 \text{ MHz} \leq f_{\text{offset}} < 8,0 \text{ MHz}$                   | $P - 50,5 \text{ dBm}$                                        | 1 MHz                 |
| $8,0 \text{ MHz} \leq f_{\text{offset}} < f_{\text{offset}_{\text{max}}}$    | $P - 54,5 \text{ dBm}$                                        | 1 MHz                 |

**Table 6.21: Test Requirements for spectrum emission mask values,  
BS rated output power PRAT < 31 dBm**

| Frequency offset of measurement filter centre frequency, $f_{\text{offset}}$ | Maximum level                                              | Measurement bandwidth |
|------------------------------------------------------------------------------|------------------------------------------------------------|-----------------------|
| $2,515 \text{ MHz} \leq f_{\text{offset}} < 2,715 \text{ MHz}$               | -20,5 dBm                                                  | 30 kHz                |
| $2,715 \text{ MHz} \leq f_{\text{offset}} < 3,515 \text{ MHz}$               | $-20,5 - 15 \cdot (f_{\text{offset}} - 2,715) \text{ dBm}$ | 30 kHz                |
| $3,515 \text{ MHz} \leq f_{\text{offset}} < 4,0 \text{ MHz}$                 | -32,5 dBm                                                  | 30 kHz                |
| $4,0 \text{ MHz} \leq f_{\text{offset}} < 8,0 \text{ MHz}$                   | -19,5 dBm                                                  | 1 MHz                 |
| $8,0 \text{ MHz} \leq f_{\text{offset}} < f_{\text{offset}_{\text{max}}}$    | -23,5 dBm                                                  | 1 MHz                 |

#### 6.6.2.1.5.2 1,28 Mcps TDD option

The spectrum emissions measured according to subclause 6.6.2.1.4.2.2 shall be within the mask defined in the table 6.18A to 6.21A.

**Table 6.18A: Test requirements for spectrum emission mask values, BS maximum output power  $P \geq 43$  dBm for 1,28 Mcps TDD**

| Frequency offset of measurement filter centre frequency, $f_{\text{offset}}$ | Maximum level                                      | Measurement bandwidth |
|------------------------------------------------------------------------------|----------------------------------------------------|-----------------------|
| $0.815\text{MHz} \leq f_{\text{offset}} < 1.015\text{MHz}$                   | -12.5 dBm                                          | 30 kHz                |
| $1.015\text{MHz} \leq f_{\text{offset}} < 1.815\text{MHz}$                   | $-12.5 - 15 \cdot (f_{\text{offset}} - 1.015)$ dBm | 30 kHz                |
| $1.815\text{MHz} \leq f_{\text{offset}} < 2.3\text{MHz}$                     | -26.5 dBm                                          | 30 kHz                |
| $2.3\text{MHz} \leq f_{\text{offset}} < f_{\text{offset}_{\text{max}}}$      | -11.5 dBm                                          | 1 MHz                 |

**Table 6.19A: Test requirements for spectrum emission mask values, BS maximum output power  $39 \leq P < 43$  dBm for 1,28 Mcps TDD**

| Frequency offset of measurement filter centre frequency, $f_{\text{offset}}$ | Maximum level                                      | Measurement bandwidth |
|------------------------------------------------------------------------------|----------------------------------------------------|-----------------------|
| $0.815\text{MHz} \leq f_{\text{offset}} < 1.015\text{MHz}$                   | -12.5 dBm                                          | 30 kHz                |
| $1.015\text{MHz} \leq f_{\text{offset}} < 1.815\text{MHz}$                   | $-12.5 - 15 \cdot (f_{\text{offset}} - 1.015)$ dBm | 30 kHz                |
| $1.815\text{MHz} \leq f_{\text{offset}} < 2.415\text{MHz}$                   | -26.5 dBm                                          | 30 kHz                |
| $2.415\text{MHz} \leq f_{\text{offset}} < 2.9\text{MHz}$                     | $P - 69.5$ dBm                                     | 30 kHz                |
| $2.9\text{MHz} \leq f_{\text{offset}} < f_{\text{offset}_{\text{max}}}$      | $P - 54.5$ dBm                                     | 1 MHz                 |

**Table 6.20A: Test requirements for spectrum emission mask values, BS maximum output power  $31 \leq P < 39$  dBm for 1,28 Mcps TDD**

| Frequency offset of measurement filter centre frequency, $f_{\text{offset}}$ | Maximum level                                         | Measurement bandwidth |
|------------------------------------------------------------------------------|-------------------------------------------------------|-----------------------|
| $0.815\text{MHz} \leq f_{\text{offset}} < 1.015\text{MHz}$                   | $P - 51.5$ dBm                                        | 30 kHz                |
| $1.015\text{MHz} \leq f_{\text{offset}} < 1.815\text{MHz}$                   | $P - 51.5 - 15 \cdot (f_{\text{offset}} - 1.015)$ dBm | 30 kHz                |
| $1.815\text{MHz} \leq f_{\text{offset}} < 2.415\text{MHz}$                   | $P - 65.5$ dBm                                        | 30 kHz                |
| $2.415\text{MHz} \leq f_{\text{offset}} < 2.9\text{MHz}$                     | $P - 69.5$ dBm                                        | 30 kHz                |
| $2.9\text{MHz} \leq f_{\text{offset}} < f_{\text{offset}_{\text{max}}}$      | $P - 54.5$ dBm                                        | 1 MHz                 |

**Table 6.21A: Test requirements for spectrum emission mask values, BS maximum output power  $P < 31$  dBm for 1,28 Mcps TDD**

| Frequency offset of measurement filter centre frequency, $f_{\text{offset}}$ | Maximum level                                      | Measurement bandwidth |
|------------------------------------------------------------------------------|----------------------------------------------------|-----------------------|
| $0.815\text{MHz} \leq f_{\text{offset}} < 1.015\text{MHz}$                   | -20.5 dBm                                          | 30 kHz                |
| $1.015\text{MHz} \leq f_{\text{offset}} < 1.815\text{MHz}$                   | $-20.5 - 15 \cdot (f_{\text{offset}} - 1.015)$ dBm | 30 kHz                |
| $1.815\text{MHz} \leq f_{\text{offset}} < 2.415\text{MHz}$                   | -34.5 dBm                                          | 30 kHz                |
| $2.415\text{MHz} \leq f_{\text{offset}} < 2.9\text{MHz}$                     | -38.5 dBm                                          | 30 kHz                |
| $2.9\text{MHz} \leq f_{\text{offset}} < f_{\text{offset}_{\text{max}}}$      | -23.5 dBm                                          | 1 MHz                 |

## 6.6.2.2 Adjacent Channel Leakage power Ratio (ACLR)

### 6.6.2.2.1 Definition and applicability

Adjacent Channel Leakage power Ratio (ACLR) is the ratio of the average power centered on the assigned channel frequency to the average power centered on an adjacent channel frequency. In both cases, the power is measured with a filter that has a Root Raised Cosine (RRC) filter response with roll-off  $\alpha = 0,22$  and a bandwidth equal to the chip rate. The requirements shall apply for all configurations of BS (single carrier or multi-carrier), and for all operating modes foreseen by the manufacturer's specification.

The requirements in this subclause shall apply to base stations intended for general-purpose applications.

### 6.6.2.2.2 Minimum Requirements

#### 6.6.2.2.2.1 Minimum requirement

##### 6.6.2.2.2.1.1 3,84 Mcps TDD option

The ACLR shall be equal to or greater than the limits given in table 6.22.

**Table 6.22: BS ACLR limits**

| BS adjacent channel offset | ACLR limit |
|----------------------------|------------|
| $\pm 5$ MHz                | 45 dB      |
| $\pm 10$ MHz               | 55 dB      |

The normative reference for this requirement is TS 25.105 [1] subclause 6.6.2.2.1.1.

##### 6.6.2.2.2.1.2 1,28 Mcps TDD option

The ACLR shall be equal to or greater than the limits given in Table 6.22A.

**Table 6.22A: BS ACLR limits for 1,28 Mcps TDD**

| BS adjacent channel offset | ACLR limit |
|----------------------------|------------|
| $\pm 1.6$ MHz              | 40 dB      |
| $\pm 3.2$ MHz              | 50 dB      |

The normative reference for this requirement is TS 25.105 [1] subclause 6.6.2.2.1.2

#### 6.6.2.2.2.2 Requirement in case of operation in proximity to TDD BS or FDD BS operating on an adjacent frequency

##### 6.6.2.2.2.2.1 3,84 Mcps TDD option

In case the equipment is operated in proximity to another TDD BS or FDD BS on an adjacent frequency, the ACLR shall be equal to or greater than the value specified in table 6.23.

**Table 6.23: BS ACLR limits in case of operation in proximity**

| BS adjacent channel offset | ACLR limit |
|----------------------------|------------|
| $\pm 5$ MHz                | 70 dB      |
| $\pm 10$ MHz               | 70 dB      |

The requirement is based on the assumption that the coupling loss between the base stations is at least 84dB.

The normative reference for this requirement is TS 25.105 [1] subclause 6.6.2.2.2.1.

NOTE: The necessary dynamic range to verify the conformance requirements specified in table 6.23 is at the limits of the capability of state-of-art measuring equipment.

##### 6.6.2.2.2.2.2 1,28 Mcps TDD option

In case the equipment is operated in proximity to another TDD BS or FDD BS and both BSs operating on an adjacent frequency band, the requirement is specified in terms of power level of the transmitting BS. This requirement is valid for co-existence with non-frame and non-switching point synchronised systems operating on the closest used carrier. The interference power level shall not exceed the limit in Table 6.23A.

**Table 6.23A: BS ACLR in case of operation in proximity for 1,28 Mcps TDD**

| Center Frequency for Measurement                                                                                           | Maximum Level of the interference power<br>(in case of multiple antennas the interference powers shall be summed at all antenna connectors) | Measurement Bandwidth                                                                                                                     |
|----------------------------------------------------------------------------------------------------------------------------|---------------------------------------------------------------------------------------------------------------------------------------------|-------------------------------------------------------------------------------------------------------------------------------------------|
| Closest used carrier of the victim receiver:<br>Either FDD carrier<br>Or 3,84 Mcps TDD carrier<br>Or 1,28 Mcps TDD carrier | -36 dBm                                                                                                                                     | chip rate of the victim receiver:<br>In case of FDD: 3,84 MHz<br>In case of 3,84 Mcps TDD: 3,84 MHz<br>In case of 1,28 Mcps TDD: 1,28 MHz |

The closest used carrier with respect to the regarded carrier of one system is defined by

a minimum difference in centre frequency between the regarded carrier and the carriers used in the other system and the chip rate of the other system.

If the actual allowed interference level  $P_{\text{int, allowed, actual}}$  at the victim receiver is higher than  $-106\text{dBm}$ , this requirement may be relaxed by the amount  $P_{\text{int, allowed, actual}} - (-106\text{dBm})$ .

The normative reference for this requirement is TS 25.105 [1] subclause 6.6.2.2.2.

#### 6.6.2.2.2.3 Requirement in case of co-sitting with TDD BS or FDD BS operating on an adjacent frequency

##### 6.6.2.2.2.3.1 3,84 Mcps TDD option

In case the equipment is co-sited to another TDD BS or FDD BS operating on an adjacent frequency, the ACLR is specified in terms of the absolute average power level of the BS measured in the adjacent channel. The maximum power level shall not exceed the limit in table 6.24.

**Table 6.24: BS ACLR limits in case of co-siting**

| BS adjacent channel offset | Maximum Level | Measurement Bandwidth |
|----------------------------|---------------|-----------------------|
| $\pm 5$ MHz                | -80 dBm       | 3.84 MHz              |
| $\pm 10$ MHz               | -80 dBm       | 3.84 MHz              |

The normative reference for this requirement is TS 25.105 [1] subclause 6.6.2.2.3.1.

**NOTE:** The necessary dynamic range of the measuring equipment to verify the conformance requirements specified in table 6.24 is dependent on the BS output power. If the BS output power is larger than  $-10$  dBm, the necessary dynamic range is beyond the capability of state-of-the-art measuring equipment; direct verification of the conformance requirements is not feasible. Alternatively, indirect measurement methods need to be defined.

##### 6.6.2.2.2.3.2 1,28 Mcps TDD option

In case the equipment is co-sited to another TDD BS or FDD BS and both BSs operating on an adjacent frequency band, the requirement is specified in terms of the average power level of the transmitting BS. This requirement is valid for co-existence with a non-frame and non-switching point synchronised systems operating on closest used carrier. The interference power level shall not exceed the limit in Table 6.24A.

**Table 6.24A : BS ACLR in case of co-siting for 1,28 Mcps TDD**

| Center Frequency for Measurement                                                                                           | Maximum Level of the interference power (in case of multiple antennas the interference powers shall be summed at all antenna connectors) | Measurement Bandwidth                                                                                                                     |
|----------------------------------------------------------------------------------------------------------------------------|------------------------------------------------------------------------------------------------------------------------------------------|-------------------------------------------------------------------------------------------------------------------------------------------|
| Closest used carrier of the victim receiver:<br>Either FDD carrier<br>Or 3,84 Mcps TDD carrier<br>Or 1,28 Mcps TDD carrier | -76 dBm                                                                                                                                  | chip rate of the victim receiver:<br>In case of FDD: 3,84 MHz<br>In case of 3,84 Mcps TDD: 3,84 MHz<br>In case of 1,28 Mcps TDD: 1,28 MHz |

The closest used carrier with respect to the regarded carrier of one system is defined by:

a minimum difference in centre frequency between the regarded carrier and the carriers used in the other system and the chip rate of the other system.

If the actual  $MCL_{actual}$  is higher than 30dB, this requirement may be relaxed by the amount  $MCL_{actual} - 30dB$ .

If the actual allowed interference level  $P_{int, allowed, actual}$  at the victim receiver is higher than  $-106dBm$ , this requirement may be relaxed by the amount  $P_{int, allowed, actual} - (-106dBm)$ .

The normative reference for this requirement is TS 25.105 [1] subclause 6.6.2.2.3.2.

#### 6.6.2.2.3 Test purpose

The test purpose is to verify the ability of the BS to limit the interference produced by the transmitted signal to other UTRA receivers operating at the first or second adjacent RF channel.

#### 6.6.2.2.4 Method of test

##### 6.6.2.2.4.1 Initial conditions

##### 6.6.2.2.4.1.0 General test conditions

Test environment: normal; see subclause 5.9.1.

RF channels to be tested: B, M and T; see subclause 5.3.

##### 6.6.2.2.4.1.1 3,84 Mcps TDD option

- (1) Connect the measuring equipment to the antenna connector of the BS under test.
- (2) Set the parameters of the BS transmitted signal according to table 6.25.

**Table 6.25: Parameters of the BS transmitted signal for ACLR testing**

| Parameter                        | Value/description                                                                           |
|----------------------------------|---------------------------------------------------------------------------------------------|
| TDD Duty Cycle                   | TS $i$ ; $i = 0, 1, 2, \dots, 14$ :<br>transmit, if $i$ is even;<br>receive, if $i$ is odd. |
| BS output power setting          | PRAT                                                                                        |
| Number of DPCH in each active TS | 9                                                                                           |
| Power of each DPCH               | 1/9 of Base Station output power                                                            |
| Data content of DPCH             | Real life<br>(sufficient irregular)                                                         |

## 6.6.2.2.4.1.2 1,28 Mcps TDD option

- (1) Connect the measuring equipment to the antenna connector of the BS under test.
- (2) Set the parameters of the BS transmitted signal according to table 6.25A.

**Table 6.25A: Parameters of the BS transmitted signal for ACLR testing for 1,28 Mcps TDD**

| Parameter                        | Value/description                                                                                 |
|----------------------------------|---------------------------------------------------------------------------------------------------|
| TDD Duty Cycle                   | TS $i$ ; $i = 0, 1, 2, 3, 4, 5, 6$ :<br>transmit, if $i$ is 0,4,5,6;<br>receive, if $i$ is 1,2,3. |
| BS output power setting          | PRAT                                                                                              |
| Number of DPCH in each active TS | 8                                                                                                 |
| Power of each DPCH               | 1/8 of Base Station output power                                                                  |
| Data content of DPCH             | real life<br>(sufficient irregular)                                                               |

## 6.6.2.2.4.2 Procedure

## 6.6.2.2.4.2.1 3,84 Mcps TDD option

- (1) Measure the average power centered on the assigned channel frequency over the 2464 active chips of the even time slots TS  $i$  (this excludes the guard period), and with a measurement filter that has a RRC filter response with a roll off  $\alpha = 0,22$  and a bandwidth equal to the chip rate.
- (2) Average over TBD time slots.
- (3) Measure the average power at the first lower adjacent RF channel (center frequency 5 MHz below the assigned channel frequency of the transmitted signal) over the useful part of the burst within the even time slots TS  $i$  (this excludes the guard period), and with a measurement filter that has a RRC filter response with a roll off  $\alpha = 0,22$  and a bandwidth equal to the chip rate. The power is determined by calculating the RMS value of the signal samples at the measurement filter output taken with adherence to the sampling theorem.
- (4) Average over TBD time slots.
- (5) Calculate the ACLR by the ratio

$$\text{ACLR} = \text{average acc. to (2)} / \text{average interference power acc. to (4)}.$$

- (6) Repeat steps (3), (4) and (5) for the second lower adjacent RF channel (center frequency 10 MHz below the assigned channel frequency of the transmitted signal) and also for the first and second upper adjacent RF channel (center frequency 5 MHz and 10 MHz above the assigned channel frequency of the transmitted signal, respectively).

## 6.6.2.2.4.2.2 1,28 Mcps TDD option

- (1) Measure the average power centered on the assigned channel frequency over the 848 active chips of the transmit time slots TS  $i$  (this excludes the guard period), and with a measurement filter that has a RRC filter response with a roll off  $\alpha = 0,22$  and a bandwidth equal to the chip rate.
- (2) Average over TBD time slots.
- (3) Measure the average power at the first lower adjacent RF channel (center frequency 1,6 MHz below the assigned channel frequency of the transmitted signal) over the useful part of the burst within the transmit time slots TS  $i$  (this excludes the guard period), and with a measurement filter that has a RRC filter response with a roll off  $\alpha = 0,22$  and a bandwidth equal to the chip rate. The power is determined by calculating the RMS value of the signal samples at the measurement filter output taken with adherence to the sampling theorem.
- (4) Average over TBD time slots.
- (5) Calculate the ACLR by the ratio:

$$\text{ACLR} = \text{average power acc. to (2)} / \text{average interference power acc. to (4)}.$$



- (6) Repeat steps (3), (4) and (5) for the second lower adjacent RF channel (center frequency 3,2 MHz below the assigned channel frequency of the transmitted signal) and also for the first and second upper adjacent RF channel (center frequency 1,6 MHz and 3,2 MHz above the assigned channel frequency of the transmitted signal, respectively).

#### 6.6.2.2.5 Test Requirements

NOTE: If the Test Requirements below differ from the Minimum Requirements, then the Test Tolerance applied for this test is non-zero. The Test Tolerance for this test is defined in subclause 5.11 and the explanation of how the Minimum Requirement has been relaxed by the Test Tolerance is given in Annex D.

##### 6.6.2.2.5.1 3,84 Mcps TDD option

The ACLR calculated in step (5) of subclause 6.6.2.2.4.2.1 shall be equal or greater than the limits given in table 6.26 or table 6.272, respectively. In case the equipment is co-sited to another TDD BS or FDD BS operating on an adjacent frequency, the interference power at the first and second adjacent channel measured according to steps (3) and (4) of subclause 6.6.2.2.4.2.1 shall not exceed the maximum level specified in table 6.28

**Table 6.26: BS ACLR Test Requirements**

| BS adjacent channel offset | ACLR limit |
|----------------------------|------------|
| ± 5 MHz                    | 44,2 dB    |
| ± 10 MHz                   | 54,2 dB    |

**Table 6.27: BS ACLR Test Requirements in case of operation in proximity**

| BS adjacent channel offset | ACLR limit |
|----------------------------|------------|
| ± 5 MHz                    | 66 dB      |
| ± 10 MHz                   | 66 dB      |

**Table 6.28: BS ACLR Test Requirements in case of co-sitting**

| BS adjacent channel offset | Maximum Level  | Measurement Bandwidth |
|----------------------------|----------------|-----------------------|
| ± 5 MHz                    | -[80 dBm - TT] | 3.84 MHz              |
| ± 10 MHz                   | -[80 dBm - TT] | 3.84 MHz              |

##### 6.6.2.2.5.2 1,28 Mcps TDD option

The ACLR calculated in step (5) of subclause 6.6.2.2.4.2.2 shall be equal or greater than the limits given in table 6.26A. In case the equipment is in proximity or co-sited to another TDD BS or FDD BS operating on an adjacent frequency, the interference power at the adjacent channel measured according to steps (3) and (4) of subclause 6.6.2.2.4.2.2 shall not exceed the maximum level specified in table 6.27A or 6.28A respectively.

**Table 6.26A: BS ACLR Test Requirements (1,28 Mcps option)**

| BS adjacent channel offset | ACLR limit |
|----------------------------|------------|
| ± 1.6 MHz                  | 39.2 dB    |
| ± 3.2 MHz                  | 49 dB      |

**Table 6.27A: BS ACLR Test Requirements in case of operation in proximity (1,28 Mcps option)**

| Center Frequency for Measurement          | Maximum Level (sum of emitted interference power of all node B antennas at the antenna connector) | Measurement Bandwidth        |
|-------------------------------------------|---------------------------------------------------------------------------------------------------|------------------------------|
| Closest used frequency of victim receiver | [-36 dBm-TT]                                                                                      | chip rate of victim receiver |

**Table 6.28A: BS ACLR Test Requirements in case of co-siting (1,28 Mcps option)**

| Center Frequency for Measurement          | Maximum Level (sum of emitted interference power of all node B antennas at the antenna connector) | Measurement Bandwidth        |
|-------------------------------------------|---------------------------------------------------------------------------------------------------|------------------------------|
| Closest used frequency of victim receiver | [-76 dBm-TT]                                                                                      | Chip rate of victim receiver |

## 6.6.3 Spurious emissions

### 6.6.3.1 Definition and applicability

Spurious emissions are emissions which are caused by unwanted transmitter effects such as harmonics emission, parasitic emission, intermodulation products and frequency conversion products, but exclude out of band emissions. This is measured at the base station RF output port.

Unless otherwise stated, all requirements are measured as mean power.

The requirements in this subclause shall apply to base stations intended for general-purpose applications.

### 6.6.3.2 Minimum Requirements

#### 6.6.3.2.1 Mandatory requirements

The requirements of either subclause 6.6.3.2.1.1 or subclause 6.6.3.2.1.2 shall apply whatever the type of transmitter considered (single carrier or multi-carrier). It applies for all transmission modes foreseen by the manufacturer.

##### 6.6.3.2.1.1 Spurious emissions (Category A)

The following requirements shall be met in cases where Category A limits for spurious emissions, as defined in ITU-R Recommendation SM.329-8 [6], are applied.

##### 6.6.3.2.1.1.1 3,84 Mcps TDD option

Either requirement applies at frequencies within the specified frequency ranges which are more than 12,5 MHz under the first carrier frequency used or more than 12,5 MHz above the last carrier frequency used.

The power of any spurious emission shall not exceed the maximum level given in Table 6.29.

**Table 6.29: BS Mandatory spurious emissions limits, Category A**

| Band              | Maximum level | Measurement bandwidth | Note                                               |
|-------------------|---------------|-----------------------|----------------------------------------------------|
| 9 kHz – 150 kHz   | -13 dBm       | 1 kHz                 | Bandwidth as in ITU-R SM.329-8, s4.1               |
| 150 kHz – 30 MHz  |               | 10 kHz                | Bandwidth as in ITU-R SM.329-8, s4.1               |
| 30 MHz – 1 GHz    |               | 100 kHz               | Bandwidth as in ITU-R SM.329-8, s4.1               |
| 1 GHz – 12,75 GHz |               | 1 MHz                 | Upper frequency as in ITU-R SM.329-8, s2.5 table 1 |

The normative reference for this requirement is TS 25.105 [1] subclause 6.6.3.1.1.1.1.

#### 6.6.3.2.1.1.2 1,28 Mcps TDD option

Either requirement applies at frequencies within the specified frequency ranges which are more than 4 MHz under the first carrier frequency used or more than 4 MHz above the last carrier frequency used.

The power of any spurious emission shall not exceed the maximum level given in Table 6.29A.

**Table 6.29A: BS Mandatory spurious emissions limits, Category A**

| Band              | Maximum level | Measurement bandwidth | Note                                               |
|-------------------|---------------|-----------------------|----------------------------------------------------|
| 9 kHz – 150 kHz   | -13 dBm       | 1 kHz                 | Bandwidth as in ITU-R SM.329-8, s4.1               |
| 150 kHz – 30 MHz  |               | 10 kHz                | Bandwidth as in ITU-R SM.329-8, s4.1               |
| 30 MHz – 1 GHz    |               | 100 kHz               | Bandwidth as in ITU-R SM.329-8, s4.1               |
| 1 GHz – 12,75 GHz |               | 1 MHz                 | Upper frequency as in ITU-R SM.329-8, s2.5 table 1 |

The normative reference for this requirement is TS 25.105 [1] subclause 6.6.3.1.1.1.2.

#### 6.6.3.2.1.2 Spurious emissions (Category B)

The following requirements shall be met in cases where Category B limits for spurious emissions, as defined in ITU-R Recommendation SM.329-8 [6], are applied.

##### 6.6.3.2.1.2.1 3,84 Mcps TDD option

Either requirement applies at frequencies within the specified frequency ranges which are more than 12,5 MHz under the first carrier frequency used or more than 12,5 MHz above the last carrier frequency used.

The power of any spurious emission shall not exceed the maximum levels given in Table 6.30.

**Table 6.30: BS Mandatory spurious emissions limits, Category B**

| Band                                                                                                                               | Maximum level | Measurement bandwidth | Note                                                                                           |
|------------------------------------------------------------------------------------------------------------------------------------|---------------|-----------------------|------------------------------------------------------------------------------------------------|
| 9 kHz – 150 kHz                                                                                                                    | -36 dBm       | 1 kHz                 | Bandwidth as in ITU-R SM.329-8, s4.1                                                           |
| 150 kHz – 30 MHz                                                                                                                   | -36 dBm       | 10 kHz                | Bandwidth as in ITU-R SM.329-8, s4.1                                                           |
| 30 MHz – 1 GHz                                                                                                                     | -36 dBm       | 100 kHz               | Bandwidth as in ITU-R SM.329-8, s4.1                                                           |
| 1 GHz<br>–<br>Fc1 - 60 MHz or FI - 10 MHz<br><i>whichever is the higher</i>                                                        | -30 dBm       | 1 MHz                 | Bandwidth as in<br>ITU-R SM.329-8, s4.1                                                        |
| Fc1 - 60 MHz or FI - 10 MHz<br><i>whichever is the higher</i><br>–<br>Fc1 - 50 MHz or FI -10 MHz<br><i>whichever is the higher</i> | -25 dBm       | 1 MHz                 | Specification in accordance with<br>ITU-R SM.329-8, s4.3 and Annex 7                           |
| Fc1 - 50 MHz or FI -10 MHz<br><i>whichever is the higher</i><br>–<br>Fc2 + 50 MHz or Fu +10 MHz<br><i>whichever is the lower</i>   | -15 dBm       | 1 MHz                 | Specification in accordance with<br>ITU-R SM.329-8, s4.3 and Annex 7                           |
| Fc2 + 50 MHz or Fu + 10 MHz<br><i>whichever is the lower</i><br>–<br>Fc2 + 60 MHz or Fu + 10 MHz<br><i>whichever is the lower</i>  | -25 dBm       | 1 MHz                 | Specification in accordance with<br>ITU-R SM.329-8, s4.3 and Annex 7                           |
| Fc2 + 60 MHz or Fu + 10 MHz<br><i>whichever is the lower</i><br>–<br>12,75 GHz                                                     | -30 dBm       | 1 MHz                 | Bandwidth as in ITU-R SM.329-8, s4.1.<br>Upper frequency as in ITU-R SM.329-8, s2.5<br>table 1 |

Fc1: Center frequency of emission of the first carrier transmitted by the BS

Fc2: Center frequency of emission of the last carrier transmitted by the BS

FI : Lower frequency of the band in which TDD operates

Fu : Upper frequency of the band in which TDD operates

The normative reference for this requirement is TS 25.105 [1] subclause 6.6.3.1.2.1.1.

#### 6.6.3.2.1.2.2 1,28 Mcps TDD option

Either requirement applies at frequencies within the specified frequency ranges which are more than 4 MHz under the first carrier frequency used or more than 4 MHz above the last carrier frequency used.

The power of any spurious emission shall not exceed the maximum levels given in Table 6.30A.

**Table 6.30A: BS Mandatory spurious emissions limits, Category B for 1,28 Mcps TDD**

| Band                                                                                                                                  | Maximum Level | Measurement Bandwidth | Note                                                                                     |
|---------------------------------------------------------------------------------------------------------------------------------------|---------------|-----------------------|------------------------------------------------------------------------------------------|
| 9kHz – 150kHz                                                                                                                         | -36 dBm       | 1 kHz                 | Bandwidth as in ITU SM.329-8, s4.1                                                       |
| 150kHz – 30MHz                                                                                                                        | - 36 dBm      | 10 kHz                | Bandwidth as in ITU SM.329-8, s4.1                                                       |
| 30MHz – 1GHz                                                                                                                          | -36 dBm       | 100 kHz               | Bandwidth as in ITU SM.329-8, s4.1                                                       |
| 1GHz<br>↔<br>Fc1-19,2 MHz or FI –3,2 MHz<br><i>whichever is the higher</i>                                                            | -30 dBm       | 1 MHz                 | Bandwidth as in ITU SM.329-8, s4.1                                                       |
| Fc1 – 19,2 MHz or FI - 3,2MHz<br><i>whichever is the higher</i><br>↔<br>Fc1 - 16 MHz or FI –3,2 MHz<br><i>whichever is the higher</i> | -25 dBm       | 1 MHz                 | Specification in accordance with ITU-R SM.329-8, s4.1                                    |
| Fc1 - 16 MHz or FI –3,2 MHz<br><i>whichever is the higher</i><br>↔<br>Fc2 + 16 MHz or Fu +3,2 MHz<br><i>whichever is the lower</i>    | -15 dBm       | 1 MHz                 | Specification in accordance with ITU-R SM.329-8, s4.1                                    |
| Fc2 + 16 MHz or Fu + 3,2MHz<br><i>whichever is the lower</i><br>↔<br>Fc2 +19,2 MHz or Fu + 3,2MHz<br><i>whichever is the lower</i>    | -25 dBm       | 1 MHz                 | Specification in accordance with ITU-R SM.329-8, s4.1                                    |
| Fc2 + 19,2 MHz or Fu +3,2 MHz<br><i>whichever is the lower</i><br>↔<br>12,75 GHz                                                      | -30 dBm       | 1 MHz                 | Bandwidth as in ITU-R SM.329-8, s4.1. Upper frequency as in ITU-R SM.329-8, s2.5 table 1 |

Fc1: Center frequency of emission of the first carrier transmitted by the BS

Fc2: Center frequency of emission of the last carrier transmitted by the BS

FI : Lower frequency of the band in which TDD operates

Fu : Upper frequency of the band in which TDD operates

The reference for this requirement is TS 25.105 subclause 6.6.3.1.2.1.2.

**6.6.3.2.2 Co-existence with GSM**

**6.6.3.2.2.1 Operation in the same geographic area**

This requirement may be applied for the protection of GSM 900 MS in geographic areas in which both GSM 900 and UTRA are deployed.

The power of any spurious emission shall not exceed the maximum level given in Table 6.31.

**Table 6.31: BS Spurious emissions limits for BS in geographic coverage area of GSM 900 MS receiver**

| Band              | Maximum level | Measurement bandwidth | Note |
|-------------------|---------------|-----------------------|------|
| 921 MHz – 960 MHz | -57 dBm       | 100 kHz               |      |

The normative reference for this requirement is TS 25.105 [1] subclause 6.6.3.2.1.1.

#### 6.6.3.2.2.2 Co-located base stations

This requirement may be applied for the protection of GSM 900 BTS receivers when GSM 900 BTS and UTRA BS are co-located.

The power of any spurious emission shall not exceed the maximum level given in table 6.32.

**Table 6.32: BS Spurious emissions limits for protection of the GSM 900 BTS receiver**

| Band              | Maximum level | Measurement bandwidth | Note |
|-------------------|---------------|-----------------------|------|
| 876 MHz – 915 MHz | -98 dBm       | 100 kHz               |      |

The normative reference for this requirement is TS 25.105 [1] subclause 6.6.3.2.2.1.

#### 6.6.3.2.3 Co-existence with DCS 1800

##### 6.6.3.2.3.1 Operation in the same geographic area

This requirement may be applied for the protection of DCS 1800 MS in geographic areas in which both DCS 1800 and UTRA are deployed.

The power of any spurious emission shall not exceed the maximum level given in table 6.33.

**Table 6.33: BS Spurious emissions limits for BS in geographic coverage area of DCS 1800 MS receiver**

| Band                | Maximum level | Measurement bandwidth | Note |
|---------------------|---------------|-----------------------|------|
| 1805 MHz – 1880 MHz | -47 dBm       | 100 kHz               |      |

The normative reference for this requirement is TS 25.105 [1] subclause 6.6.3.3.1.1.

##### 6.6.3.2.3.2 Co-located base stations

This requirement may be applied for the protection of DCS 1800 BTS receivers when DCS 1800 BTS and UTRA BS are co-located.

The power of any spurious emission shall not exceed the maximum level given in table 6.34.

**Table 6.34: BS Spurious emissions limits for BS co-located with DCS 1800 BTS**

| Band                | Maximum level | Measurement bandwidth | Note |
|---------------------|---------------|-----------------------|------|
| 1710 MHz – 1785 MHz | -98 dBm       | 100 kHz               |      |

The normative reference for this requirement is TS 25.105 [1] subclause 6.6.3.3.2.1.

#### 6.6.3.2.4 Co-existence with UTRA FDD

##### 6.6.3.2.4.1 Operation in the same geographic area

This requirement may be applied to geographic areas in which both UTRA TDD and UTRA FDD are deployed.

The power of any spurious emission shall not exceed the maximum level given in table 6.35.

**Table 6.35: BS Spurious emissions limits for BS in geographic coverage area of UTRA FDD**

| Band            | Maximum Level | Measurement Bandwidth | Note |
|-----------------|---------------|-----------------------|------|
| 1920 – 1980 MHz | -32 dBm       | 1 MHz                 |      |
| 2110 – 2170 MHz | -52 dBm       | 1 MHz                 |      |

The normative reference for this requirement is TS 25.105 [1] subclause 6.6.3.4.1.1.

#### 6.6.3.2.4.2 Co-located base stations

This requirement may be applied for the protection of UTRA FDD BS receivers when UTRA TDD BS and UTRA FDD BS are co-located.

The power of any spurious emission shall not exceed the maximum level given in table 6.36.

**Table 6.36: BS Spurious emissions limits for BS co-located with UTRA FDD**

| Band            | Maximum Level | Measurement Bandwidth | Note |
|-----------------|---------------|-----------------------|------|
| 1920 – 1980 MHz | -86 dBm       | 1 MHz                 |      |
| 2110 – 2170 MHz | -52 dBm       | 1 MHz                 |      |

The normative reference for this requirement is TS 25.105 [1] subclause 6.6.3.4.2.1.

### 6.6.3.3 Test purpose

#### 6.6.3.3.1 3,84 Mcps TDD option

The test purpose is to verify the ability of the BS to limit the interference caused by unwanted transmitter effects to other systems operating at frequencies which are more than 12,5 MHz away from of the UTRA band used.

#### 6.6.3.3.2 1,28 Mcps TDD option

The test purpose is to verify the ability of the BS to limit the interference caused by unwanted transmitter effects to other systems operating at frequencies which are more than 4 MHz away from of the UTRA band used.

### 6.6.3.4 Method of test

#### 6.6.3.4.1 Initial conditions

##### 6.6.3.4.1.0 General test conditions

Test environment: normal; see subclause 5.9.1.

RF channels to be tested: B, M and T; see subclause 5.3.

##### 6.6.3.4.1.1 3,84 Mcps TDD option

- (1) Connect the measuring equipment to the antenna connector of the BS under test.
- (2) Set the parameters of the BS transmitted signal according to table 6.37.

**Table 6.37: Parameters of the BS transmitted signal for spurious emissions testing**

| Parameter                        | Value/description                                                                           |
|----------------------------------|---------------------------------------------------------------------------------------------|
| TDD Duty Cycle                   | TS $i$ ; $i = 0, 1, 2, \dots, 14$ :<br>transmit, if $i$ is even;<br>receive, if $i$ is odd. |
| BS output power setting          | PRAT                                                                                        |
| Number of DPCH in each active TS | 9                                                                                           |
| Power of each DPCH               | 1/9 of Base Station output power                                                            |
| Data content of DPCH             | real life<br>(sufficient irregular)                                                         |

#### 6.6.3.4.1.2 1,28 Mcps TDD option

- (1) Connect the measuring equipment to the antenna connector of the BS under test.
- (2) Set the parameters of the BS transmitted signal according to table 6.37A.

**Table 6.37A: Parameters of the BS transmitted signal for spurious emissions testing for 1,28 Mcps TDD**

| Parameter                        | Value/description                                                                                 |
|----------------------------------|---------------------------------------------------------------------------------------------------|
| TDD Duty Cycle                   | TS $i$ ; $i = 0, 1, 2, 3, 4, 5, 6$ :<br>transmit, if $i$ is 0,4,5,6;<br>receive, if $i$ is 1,2,3. |
| BS output power setting          | PRAT                                                                                              |
| Number of DPCH in each active TS | 8                                                                                                 |
| Power of each DPCH               | 1/8 of Base Station output power                                                                  |
| Data content of DPCH             | real life<br>(sufficient irregular)                                                               |

#### 6.6.3.4.2 Procedure

Measure the power of the spurious emissions by applying measurement filters with bandwidths as specified in the relevant tables of subclause 6.6.3.2. The characteristic of the filters shall be approximately Gaussian (typical spectrum analyzer filters). The center frequency of the filter shall be stepped in contiguous steps over the frequency bands as given in the tables. The step width shall be equal to the respective measurement bandwidth. The time duration of each step shall be sufficiently long to capture one active time slot.

#### 6.6.3.5 Test Requirements

NOTE: If the Test Requirement below differs from the Minimum Requirement, then the Test Tolerance applied for this test is non-zero. The Test Tolerance for this test is defined in subclause 5.1.1 and the explanation of how the Minimum Requirement has been relaxed by the Test Tolerance is given in Annex D.

The spurious emissions measured according to subclause 6.6.3.4.2 shall not exceed the limits specified in the relevant tables of 6.6.3.2.

## 6.7 Transmit intermodulation

### 6.7.1 Definition and applicability

The transmit intermodulation performance is a measure of the capability of the transmitter to inhibit the generation of signals in its non linear elements caused by presence of the wanted signal and an interfering signal reaching the transmitter via the antenna.

The transmit intermodulation level is the power of the intermodulation products when a CDMA modulated interference signal is injected into the antenna connector at a level of 30 dB lower than that of the subject signal.



### 6.7.1.1 3,84 Mcps TDD option

The frequency of the interference signal shall be  $\pm 5$  MHz,  $\pm 10$  MHz and  $\pm 15$  MHz offset from the subject signal.

The requirements in this subclause shall apply to base stations intended for general-purpose applications.

### 6.7.1.2 1,28 Mcps TDD option

The frequency of the interference signal shall be  $\pm 1,6$  MHz,  $\pm 3,2$  MHz and  $\pm 4,8$  MHz offset from the subject signal.

The requirements in this subclause shall apply to base stations intended for general-purpose applications.

## 6.7.2 Minimum Requirements

The transmit intermodulation level shall not exceed the out of band or the spurious emission requirements of subclause 6.6.2 and 6.6.3, respectively.

The normative reference for this requirement is TS 25.105 [1] subclause 6.7.1.

## 6.7.3 Test purpose

The test purpose is to verify the ability of the BS transmitter to restrict the generation of intermodulation products in its non linear elements caused by presence of the wanted signal and an interfering signal reaching the transmitter via the antenna to below specified levels.

## 6.7.4 Method of test

### 6.7.4.1 Initial conditions

#### 6.7.4.1.0 General test conditions

Test environment: normal; see subclause 5.9.1.

RF channels to be tested: B, M and T; see subclause 5.3.

#### 6.7.4.1.1 3,84 Mcps TDD option

- (1) Connect the measuring equipment, the BS under test and the CDMA signal generator as shown in figure 6.2.
- (2) Set the parameters of the BS transmitted signal according to table 6.38.
- (3) Configure the CDMA signal generator to produce an interference signal with a level of 30 dB lower than that of the BS transmitted signal. The interference signal shall be like-modulated as the BS transmitted signal, and the active time slots of both signals shall be synchronized. The frequency of the interference signal shall be  $\pm 5$  MHz,  $\pm 10$  MHz and  $\pm 15$  MHz offset from the BS transmitted signal.

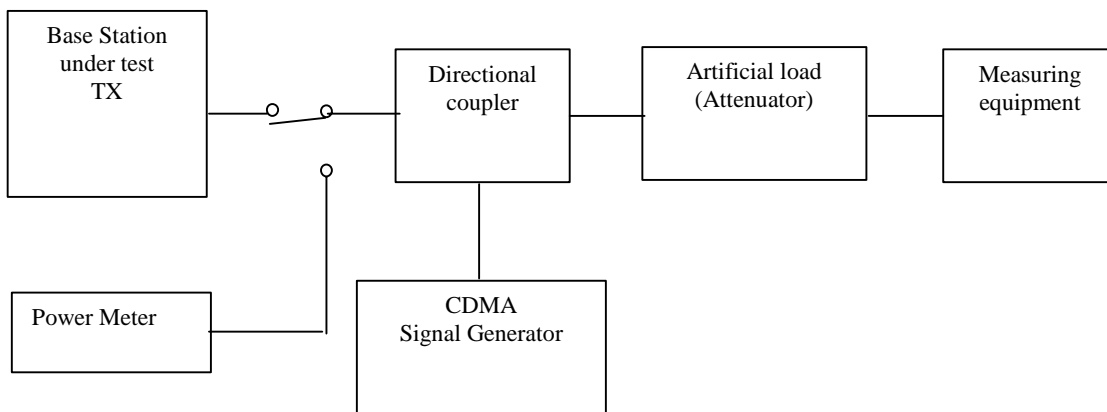


Figure 6.2: Measuring setup for Base Station transmit intermodulation testing

Table 6.38: Parameters of the BS transmitted signal for transmit intermodulation testing

| Parameter                        | Value/description                                                                           |
|----------------------------------|---------------------------------------------------------------------------------------------|
| TDD Duty Cycle                   | TS $i$ ; $i = 0, 1, 2, \dots, 14$ :<br>transmit, if $i$ is odd;<br>receive, if $i$ is even. |
| BS output power setting          | PRAT                                                                                        |
| Number of DPCH in each active TS | 9                                                                                           |
| Power of each DPCH               | 1/9 of Base Station output power                                                            |
| Data content of DPCH             | real life<br>(sufficient irregular)                                                         |

6.7.4.1.2 1,28 Mcps TDD option

- (1) Connect the measuring equipment, the BS under test and the CDMA signal generator as shown in figure 6.2A.
- (2) Set the parameters of the BS transmitted signal according to table 6.38A.
- (3) Configure the CDMA signal generator to produce an interference signal with a level of 30 dB lower than that of the BS transmitted signal. The interference signal shall be like-modulated as the BS transmitted signal, and the active time slots of both signals shall be synchronized. The frequency of the interference signal shall be  $\pm 1,6$  MHz,  $\pm 3,2$  MHz and  $\pm 4,8$  MHz offset from the BS transmitted signal.

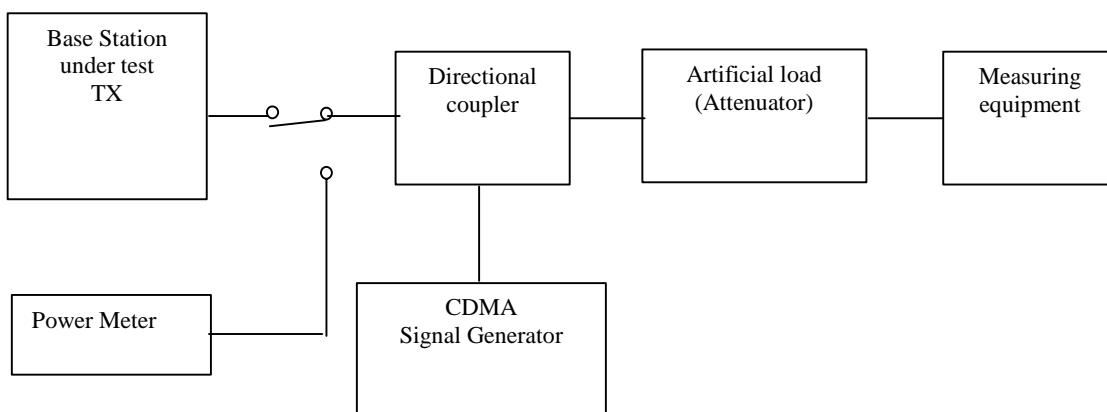


Figure 6.2A: Measuring setup for Base Station transmit intermodulation testing

**Table 6.38A: Parameters of the BS transmitted signal for transmit intermodulation testing for 1,28 Mcps TDD**

| Parameter                        | Value/description                                                                                 |
|----------------------------------|---------------------------------------------------------------------------------------------------|
| TDD Duty Cycle                   | TS $i$ ; $i = 0, 1, 2, 3, 4, 5, 6$ :<br>transmit, if $i$ is 0,4,5,6;<br>receive, if $i$ is 1,2,3. |
| BS output power setting          | PRAT                                                                                              |
| Number of DPCH in each active TS | 8                                                                                                 |
| Power of each DPCH               | 1/8 of Base Station output power                                                                  |
| Data content of DPCH             | real life<br>(sufficient irregular)                                                               |

### 6.7.4.2 Procedure

Apply the test procedures for out of band and spurious emissions as described in 6.6.2 and 6.6.3, respectively. The frequency band occupied by the interference signal are excluded from the measurements.

### 6.7.5 Test Requirements

NOTE: If the Test Requirement below differs from the Minimum Requirement, then the Test Tolerance applied for this test is non-zero. The Test Tolerance for this test is defined in subclause 5.11 and the explanation of how the Minimum Requirement has been relaxed by the Test Tolerance is given in Annex D.

The Test Requirements for out of band and spurious emissions as specified in subclauses 6.6.2.1.5 (Spectrum emission mask), 6.6.2.2.5 (ACLR) and 6.6.3.5 (Spurious emissions) shall be met.

## 6.8 Transmit Modulation

### 6.8.1 Modulation accuracy

#### 6.8.1.1 Definition and applicability

The Error Vector Magnitude is a measure of the difference between the reference waveform and the measured waveform. This difference is called the error vector. Both waveforms pass through a matched Root Raised Cosine filter with bandwidth corresponding to the considered chip rate and roll-off  $\alpha = 0,22$ . Both waveforms are then further modified by selecting the frequency, absolute phase, absolute amplitude and chip clock timing so as to minimise the error vector. The EVM result is defined as the square root of the ratio of the mean error vector power to the mean reference power expressed as a %. The measurement interval is one timeslot. The requirement is valid over the total power dynamic range as specified in 25.105 subclause 6.4.3. See Annex C of this specification for further details.

The requirements in this subclause shall apply to base stations intended for general-purpose applications.

NOTE: The theoretical modulated waveform shall be calculated on the basis that the transmit pulse shaping filter is a root-raised cosine (RRC) with roll-off  $\alpha = 0,22$  in the frequency domain. The impulse response of the chip impulse filter  $RC_0(t)$  is

$$RC_0(t) = \frac{\sin\left(\pi \frac{t}{T_c}(1-\alpha)\right) + 4\alpha \frac{t}{T_c} \cos\left(\pi \frac{t}{T_c}(1+\alpha)\right)}{\pi \frac{t}{T_c} \left(1 - \left(4\alpha \frac{t}{T_c}\right)^2\right)}$$

Where the roll-off factor  $\alpha = 0,22$  and  $T_c$  is the chip duration

### 6.8.1.2 Minimum Requirements

The error vector magnitude (EVM) shall not exceed 12,5 %. The requirement is valid over the total power dynamic range as specified in subclause 6.4.3 of TS 25.105.

The normative reference for this requirement is TS 25.105 [1] subclause 6.8.2.1.

### 6.8.1.3 Test purpose

The test purpose is to verify the ability of the BS transmitter to generate a sufficient precise waveform and thus to enable the UE receiver to achieve the specified error performance.

### 6.8.1.4 Method of test

#### 6.8.1.4.1 Initial conditions

##### 6.8.1.4.1.0 General test conditions

Test environment: normal; see subclause 5.9.1.

RF channels to be tested: B, M and T; see subclause 5.3.

##### 6.8.1.4.1.1 3,84 Mcps TDD option

- (1) Connect the measuring equipment to the antenna connector of the BS under test.
- (2) Set the parameters of the BS transmitted signal according to table 6.39.

**Table 6.39: Parameters of the BS transmitted signal for modulation accuracy testing**

| Parameter                        | Value/description                                                                           |
|----------------------------------|---------------------------------------------------------------------------------------------|
| TDD Duty Cycle                   | TS $i$ ; $i = 0, 1, 2, \dots, 14$ :<br>transmit, if $i$ is even;<br>receive, if $i$ is odd. |
| Number of DPCH in each active TS | 1                                                                                           |
| BS power setting                 | PRAT                                                                                        |
| Data content of DPCH             | real life<br>(sufficient irregular)                                                         |

##### 6.8.1.4.1.2 1,28 Mcps TDD option

- (1) Connect the measuring equipment to the antenna connector of the BS under test.
- (2) Set the parameters of the BS transmitted signal according to table 6.39A.

**Table 6.39A: Parameters of the BS transmitted signal for modulation accuracy testing for 1,28 Mcps TDD**

| Parameter                        | Value/description                                                                               |
|----------------------------------|-------------------------------------------------------------------------------------------------|
| TDD Duty Cycle                   | TS $i$ ; $i = 0, 1, 2, \dots, 6$ :<br>Transmit, if $i$ is 0,4,5,6;<br>receive, if $i$ is 1,2,3. |
| Number of DPCH in each active TS | 1                                                                                               |
| Base station power               | maximum, according to manufacturer's declaration                                                |
| Data content of DPCH             | real life<br>(sufficient irregular)                                                             |

#### 6.8.1.4.2 Procedure

- (1) Measure the error vector magnitude (EVM) by applying the global in-channel Tx test method described in Annex C.
- (2) Set the BS output power to PRAT – 30 dB and repeat step (1) above.

#### 6.8.1.5 Test Requirements

NOTE: If the Test Requirement below differs from the Minimum Requirement, then the Test Tolerance applied for this test is non-zero. The Test Tolerance for this test is defined in subclause 5.11 and the explanation of how the Minimum Requirement has been relaxed by the Test Tolerance is given in Annex D.

The error vector magnitude (EVM) measured according to subclause 6.8.1.4.2 shall not exceed 12,5 %.

### 6.8.2 Peak code domain error

#### 6.8.2.1 Definition and applicability

The code domain error is computed by projecting the error vector power onto the code domain at a specific spreading factor. The error power for each code is defined as the ratio to the mean power of the reference waveform expressed in dB. And the Peak Code Domain Error is defined as the maximum value for Code Domain Error. The measurement interval is one timeslot.

The requirements in this subclause shall apply to base stations intended for general-purpose applications.

#### 6.8.2.2 Minimum Requirements

The peak code domain error shall not exceed -28 dB at spreading factor 16.

The normative reference for this requirement is TS 25.105 [1] subclause 6.8.3.1.

#### 6.8.2.3 Test purpose

The test purpose is to verify the ability of the BS transmitter to limit crosstalk among codes and thus to enable the UE receiver to achieve the specified error performance.

#### 6.8.2.4 Method of test

##### 6.8.2.4.1 Initial conditions

###### 6.8.2.4.1.0 General test conditions

Test environment: normal; see subclause 5.9.1.

RF channels to be tested: B, M and T; see subclause 5.3.

###### 6.8.2.4.1.1 3,84 Mcps TDD option

- (1) Connect the measuring equipment to the antenna connector of the BS under test.
- (2) Set the parameters of the BS transmitted signal according to table 6.40.

**Table 6.40: Parameters of the BS transmitted signal**

| Parameter                        | Value/description                                                                           |
|----------------------------------|---------------------------------------------------------------------------------------------|
| TDD Duty Cycle                   | TS $i$ ; $i = 0, 1, 2, \dots, 14$ :<br>transmit, if $i$ is even;<br>receive, if $i$ is odd. |
| BS output power setting          | PRAT                                                                                        |
| Number of DPCH in each active TS | 9                                                                                           |
| Power of each DPCH               | 1/9 of Base Station output power                                                            |
| Data content of DPCH             | real life<br>(sufficient irregular)                                                         |
| Spreading factor                 | 16                                                                                          |

#### 6.8.2.4.1.2 1,28 Mcps TDD option

- (1) Connect the measuring equipment to the antenna connector of the BS under test.
- (2) Set the parameters of the BS transmitted signal according to table 6.40A.

**Table 6.40A: Parameters of the BS transmitted signal for 1,28 Mcps TDD**

| Parameter                        | Value/description                                                                               |
|----------------------------------|-------------------------------------------------------------------------------------------------|
| TDD Duty Cycle                   | TS $i$ ; $i = 0, 1, 2, \dots, 6$ :<br>transmit, if $i$ is 0,4,5,6;<br>receive, if $i$ is 1,2,3. |
| BS output power setting          | PRAT                                                                                            |
| Number of DPCH in each active TS | 8                                                                                               |
| Power of each DPCH               | 1/8 of Base Station output power                                                                |
| Data content of DPCH             | real life<br>(sufficient irregular)                                                             |
| Spreading factor                 | 16                                                                                              |

#### 6.8.2.4.2 Procedure

Measure the peak code domain error by applying the global in-channel Tx test method described in Annex C.

#### 6.8.2.5 Test Requirements

NOTE: If the Test Requirement below differs from the Minimum Requirement, then the Test Tolerance applied for this test is non-zero. The Test Tolerance for this test is defined in subclause 5.1.1 and the explanation of how the Minimum Requirement has been relaxed by the Test Tolerance is given in Annex D.

The peak code domain error measured according to subclause 6.8.2.4.2 shall not exceed  $-27$  dB.

## 7 Receiver characteristics

### 7.1 General

All tests unless otherwise stated in this subclause shall be conducted on Base Station Systems fitted with a full complement of Transceivers for the configuration. The manufacturer shall provide appropriate logical or physical test access to perform all tests in this subclause. Measurements shall include any RX multicoupler.

The tests in clause 7 assume that the receiver is not equipped with diversity. For receivers with diversity, the tests may be performed by applying the specified signals to one of the receiver inputs, and terminating or disabling the other(s). The tests and requirements are otherwise unchanged.

For receivers with diversity, testing of conformance shall be performed by applying the specified signals to one of the receiver inputs, and terminating or disabling the other(s).

In all the relevant subclauses in this clause all Bit Error Ratio (BER), Residual BER (RBER) and Frame Erasure Ratio (FER) measurements shall be carried out according to the general rules for statistical testing.

Unless detailed the receiver characteristic are specified at each antenna connector of the BS.

## 7.2 Reference sensitivity level

### 7.2.1 Definition and applicability

The reference sensitivity is the minimum receiver input power measured at the antenna connector at which the BER does not exceed the specific value.

The requirements in this subclause shall apply to base stations intended for general-purpose applications.

### 7.2.2 Minimum Requirements

#### 7.2.2.1 3,84 Mcps TDD option

For the measurement channel specified in Annex A.2.1, the reference sensitivity level and performance of the BS shall be as specified in table 7.1 below.

**Table 7.1: BS reference sensitivity level**

| Data rate | BS reference sensitivity level (dBm) | BER                        |
|-----------|--------------------------------------|----------------------------|
| 12,2 kbps | -109 dBm                             | BER shall not exceed 0,001 |

The normative reference for this requirement is TS 25.105 [1] subclause 7.2.1.1.

#### 7.2.2.2 1,28 Mcps option

For the measurement channel specified in Annex A.2.1.2, the reference sensitivity level and performance of the BS shall be as specified in table 7.1A below.

**Table 7.1A: BS reference sensitivity levels (1,28 Mcps option)**

| Data rate | BS reference sensitivity level (dBm) | BER                        |
|-----------|--------------------------------------|----------------------------|
| 12,2 kbps | -110 dBm                             | BER shall not exceed 0,001 |

The normative reference for this requirement is TS 25.105 [1] subclause 7.2.1.2.

### 7.2.3 Test purpose

The test purpose is to verify the ability of the BS to receive a prescribed single-code test signal of minimum input power under defined conditions (no interference, no multipath propagation) with a BER not exceeding a specified limit. This test is also used as a reference case for other tests to allow the assessment of degradations due to various sources of interference.

### 7.2.4 Method of test

#### 7.2.4.1 Initial conditions

##### 7.2.4.1.0 General test requirements

Test environment: normal; see subclause 5.9.1.

RF channels to be tested: B, M and T; see subclause 5.3.

The following additional test shall be performed:

On each of B, M and T, the test shall be performed under extreme power supply as defined in subclause 5.9.4.

NOTE: Tests under extreme power supply also test extreme temperature.

#### 7.2.4.1.1 3,84 Mcps TDD option

50

- (1) Connect the BS tester (UE simulator) to the antenna connector of one BS Rx port.
- (2) Terminate or disable any other BS Rx port not under test.
- (3) Start transmission from the BS tester to the BS using the UL reference measurement channel (12.2 kbps) defined in Annex A.2.1.
- (4) The level of the BS tester output signal measured at the BS antenna connector shall be adjusted to the Test Requirement for the BS reference sensitivity level specified in table 7.2.

#### 7.2.4.1.2 1,28 Mcps TDD option

- (1) Connect the BS tester (UE simulator) to the antenna connector of one BS Rx port.
- (2) Terminate or disable any other BS Rx port not under test.
- (3) Start transmission from the BS tester to the BS using the UL reference measurement channel (12.2 kbps) defined in Annex A.2.1.
- (4) The level of BS tester output signal measured at the BS antenna connector shall be adjusted to  $-110$  dBm.

#### 7.2.4.2 Procedure

- (1) Measure the BER by comparing the bit sequence of the information data transmitted by the BS tester with the bit sequence obtained from the BS receiver.
- (2) Interchange the connections of the BS Rx ports and repeat the measurement according to (1).

### 7.2.5 Test Requirements

NOTE: If the Test Requirements below differ from the Minimum Requirements, then the Test Tolerance applied for this test is non-zero. The Test Tolerance for this test is defined in subclause 5.11 and the explanation of how the Minimum Requirement has been relaxed by the Test Tolerance is given in Annex D.

#### 7.2.5.1 3,84 Mcps TDD option

For any BS Rx port tested, the measured BER at the Test Requirement of the BS reference sensitivity level specified in table 7.2 shall not exceed 0,001.

**Table 7.2: Test Requirement for BS reference sensitivity level**

| Data rate | BS reference sensitivity level (dBm) | BER                        |
|-----------|--------------------------------------|----------------------------|
| 12,2 kbps | -108,3 dBm                           | BER shall not exceed 0,001 |

#### 7.2.5.2 1,28 Mcps TDD option

For any BS Rx port tested, the measured BER at the Test Requirement of the BS reference sensitivity level specified in table 7.2A shall not exceed 0,001.



**Table 7.2A: Test Requirement for BS reference sensitivity level for 1,28 Mcps option**

| Data rate | BS reference sensitivity level (dBm) | BER                        |
|-----------|--------------------------------------|----------------------------|
| 12,2 kbps | -109,3 dBm                           | BER shall not exceed 0,001 |

## 7.3 Dynamic range

### 7.3.1 Definition and applicability

Receiver dynamic range is the receiver ability to handle a rise of interference in the reception frequency channel. The receiver shall fulfil a specified BER requirement for a specified sensitivity degradation of the wanted signal in the presence of an interfering AWGN signal in the same reception frequency channel.

The requirements in this subclause shall apply to base stations intended for general-purpose applications.

### 7.3.2 Minimum Requirements

#### 7.3.2.1 3,84 Mcps TDD option

The BER shall not exceed 0,001 for the parameters specified in table 7.3.

**Table 7.3: Dynamic Range**

| Parameter               | Level             | Unit         |
|-------------------------|-------------------|--------------|
| Data rate               | 12,2              | kbit/s       |
| Wanted signal           | <REFSENS> + 30 dB | dBm          |
| Interfering AWGN signal | -73               | dBm/3,84 MHz |

The normative reference for this requirement is TS 25.105 [1] subclause 7.3.1.1.

#### 7.3.2.2 1,28 Mcps TDD option

The BER shall not exceed 0,001 for the parameters specified in table 7.3A.

**Table 7.3A: Dynamic Range for 1,28 Mcps TDD**

| Parameter               | Level             | Unit         |
|-------------------------|-------------------|--------------|
| Data rate               | 12,2              | kbit/s       |
| Wanted signal           | <REFSENS> + 30 dB | dBm          |
| Interfering AWGN signal | -76               | dBm/1,28 MHz |

The normative reference for this requirement is TS 25.105 [1] subclause 7.3.1.2.

### 7.3.3 Test purpose

The test purpose is to verify the ability of the BS to receive a prescribed single-code test signal of maximum input power under defined conditions (specified interference, no multipath) with a BER not exceeding a specified limit.

### 7.3.4 Method of test

#### 7.3.4.1 Initial conditions

##### 7.3.4.1.0 General test conditions

Test environment: normal; see subclause 5.9.1.

RF channels to be tested: B, M and T; see subclause 5.3.

#### 7.3.4.1.1 3,84 Mcps TDD option

- (1) Connect the BS tester (UE simulator), generating the wanted signal, and a band-limited white noise source, generating the interfering AWGN signal, to the antenna connector of one BS Rx port.
- (2) Terminate or disable any other BS Rx port not under test.
- (3) Start transmission from the BS tester to the BS using the UL reference measurement channel (12,2 kbps) defined in Annex A.2.1.
- (4) The level of the BS tester output signal measured at the BS antenna connector shall be adjusted as specified in table 7.4.
- (5) The power spectral density of the band-limited white noise source measured at the BS antenna connector shall be adjusted as specified in table 7.4. The characteristics of the white noise source shall comply with the AWGN interferer definition in subclause 5.18

#### 7.3.4.1.2 1,28 Mcps TDD option

- (1) Connect the BS tester (UE simulator), generating the wanted signal, and a band-limited white noise source, generating the interfering AWGN signal, to the antenna connector of one BS Rx port.
- (2) Terminate or disable any other BS Rx port not under test.
- (3) Start transmission from the BS tester to the BS using the UL reference measurement channel (12.2 kbps) defined in Annex A.2.1.
- (4) The level of the BS tester output signal measured at the BS antenna connector shall be adjusted as specified in table 7.3A.
- (5) The power spectral density of the band-limited white noise source measured at the BS antenna connector shall be adjusted as specified in table 7.3A. The characteristics of the white noise source shall comply with the AWGN interferer definition in subclause 5.18.

#### 7.3.4.2 Procedure

- (1) Measure the BER by comparing the bit sequence of the information data transmitted by the BS tester with the bit sequence obtained from the BS receiver.
- (2) Interchange the connections of the BS Rx ports and repeat the measurement according to (1)

### 7.3.5 Test Requirements

NOTE: If the Test Requirement below differs from the Minimum Requirement, then the Test Tolerance applied for this test is non-zero. The Test Tolerance for this test is defined in subclause 5.11 and the explanation of how the Minimum Requirement has been relaxed by the Test Tolerance is given in Annex D.

#### 7.3.5.1 3,84 Mcps TDD option

For any BS Rx port tested, the measured BER shall not exceed 0,001 for the parameters specified in table 7.4.

**Table 7.4: Test Requirements for Dynamic Range**

| Parameter               | Level               | Unit         |
|-------------------------|---------------------|--------------|
| Data rate               | 12,2                | kbit/s       |
| Wanted signal           | <REFSENS> + 31,2 dB | dBm          |
| Interfering AWGN signal | -73                 | dBm/3,84 MHz |

### 7.3.5.2 1,28 Mcps TDD option

For any BS Rx port tested, the measured BER shall not exceed 0,001 for the parameters specified in table 7.4A.

**Table 7.4A: Test Requirements for Dynamic Range for 1,28 Mcps TDD option**

| Parameter               | Level               | Unit         |
|-------------------------|---------------------|--------------|
| Data rate               | 12,2                | kbit/s       |
| Wanted signal           | <REFSENS> + 31,2 dB | dBm          |
| Interfering AWGN signal | -76                 | dBm/1,28 MHz |

## 7.4 Adjacent Channel Selectivity (ACS)

### 7.4.1 Definition and applicability

Adjacent channel selectivity (ACS) is a measure of the receiver ability to receive a wanted signal at its assigned channel frequency in the presence of an adjacent channel signal at a given frequency offset from the center frequency of the assigned channel.

The requirements in this subclause shall apply to base stations intended for general-purpose applications.

### 7.4.2 Minimum Requirements

#### 7.4.2.1 3,84 Mcps TDD option

The BER, measured on the wanted signal in the presence of an interfering signal, shall not exceed 0,001 for the parameters specified in table 7.5.

**Table 7.5: Parameters of the wanted signal and the interfering signal for ACS testing**

| Parameter                                                                                                                      | Level                              | Unit   |
|--------------------------------------------------------------------------------------------------------------------------------|------------------------------------|--------|
| Data rate                                                                                                                      | 12,2                               | kbit/s |
| Wanted signal                                                                                                                  | Reference sensitivity level + 6 dB | dBm    |
| Interfering signal                                                                                                             | -52                                | dBm    |
| Fuw (modulated)                                                                                                                | 5                                  | MHz    |
| NOTE: Fuw is the frequency offset of the unwanted interfering signal from the assigned channel frequency of the wanted signal. |                                    |        |

The normative reference for this requirement is TS 25.105 [1] subclause 7.4.1.1.

#### 7.4.2.2 1,28 Mcps TDD option

The BER, measured on the wanted signal in the presence of an interfering signal, shall not exceed 0,001 for the parameters specified in table 7.5A.

**Table 7.5A: Parameters of the wanted signal and the interfering signal for ACS testing for 1,28 Mcps TDD**

| Parameter                                                                                                                      | Level                              | Unit   |
|--------------------------------------------------------------------------------------------------------------------------------|------------------------------------|--------|
| Data rate                                                                                                                      | 12,2                               | kbit/s |
| Wanted signal                                                                                                                  | Reference sensitivity level + 6 dB | dBm    |
| Interfering signal                                                                                                             | -55                                | dBm    |
| Fuw (modulated)                                                                                                                | 1,6                                | MHz    |
| NOTE: Fuw is the frequency offset of the unwanted interfering signal from the assigned channel frequency of the wanted signal. |                                    |        |

The normative reference for this requirement is TS 25.105 [1] subclause 7.4.1.2.

### 7.4.3 Test purpose

The test purpose is to verify the ability of the BS receiver filter to sufficiently suppress interfering signals in the channels adjacent to the wanted channel.

### 7.4.4 Method of test

#### 7.4.4.1 Initial conditions

##### 7.4.4.1.0 General test conditions

Test environment: normal; see subclause 5.9.1.

RF channels to be tested: B, M and T; see subclause 5.3.

##### 7.4.4.1.1 3,84 Mcps TDD option

- (1) Connect an UE simulator operating at the assigned channel frequency of the wanted signal and a signal generator used to produce the interfering signal in the adjacent channel to the antenna connector of one Rx port.
- (2) Terminate or disable any other Rx port not under test.
- (3) Start transmission from the BS tester to the BS using the UL reference measurement channel (12,2 kbps) defined in Annex A.2.1. The level of the UE simulator signal measured at the BS antenna connector shall be adjusted to the value specified in table 7.5.
- (4) Set the signal generator to produce an interfering signal that is equivalent to a continuous wideband CDMA signal with one code of chip frequency 3,84 Mchip/s, filtered by an RRC transmit pulse-shaping filter with roll-off  $\alpha = 0,22$ . The level of the interfering signal measured at the BS antenna connector shall be adjusted to the value specified in table 7.5.

##### 7.4.4.1.2 1,28 Mcps TDD option

- (1) Connect an UE simulator operating at the assigned channel frequency of the wanted signal and a signal generator used to produce the interfering signal in the adjacent channel to the antenna connector of one Rx port.
- (2) Terminate or disable any other Rx port not under test.
- (3) Start transmission from the BS tester to the BS using the UL reference measurement channel (12.2 kbps) defined in Annex A.2.1. The level of the UE simulator signal measured at the BS antenna connector shall be adjusted to the value specified in table 7.5A.
- (4) Set the signal generator to produce an interfering signal that is equivalent to a continuous wideband CDMA signal with one code of chip frequency 1,28 Mchip/s, filtered by an RRC transmit pulse-shaping filter with roll-off  $\alpha = 0,22$ . The level of the interfering signal measured at the BS antenna connector shall be adjusted to the value specified in table 7.5A.

#### 7.4.4.2 Procedure

##### 7.4.4.2.1 3,84 Mcps TDD option

- (1) Set the center frequency of the interfering signal to 5 MHz above the assigned channel frequency of the wanted signal.
- (2) Measure the BER of the wanted signal at the BS receiver.
- (3) Set the center frequency of the interfering signal to 5 MHz below the assigned channel frequency of the wanted signal.

- (4) Measure the BER of the wanted signal at the BS receiver.
- (5) Interchange the connections of the BS Rx ports and repeat the measurements according to steps (1) to (4).

#### 7.4.4.2.2 1,28 Mcps TDD option

- (1) Set the center frequency of the interfering signal to 1,6 MHz above the assigned channel frequency of the wanted signal.
- (2) Measure the BER of the wanted signal at the BS receiver.
- (3) Set the center frequency of the interfering signal to 1,6 MHz below the assigned channel frequency of the wanted signal.
- (4) Measure the BER of the wanted signal at the BS receiver.
- (5) Interchange the connections of the BS Rx ports and repeat the measurements according to steps (1) to (4).

### 7.4.5 Test Requirements

NOTE: If the Test Requirement below differs from the Minimum Requirement, then the Test Tolerance applied for this test is non-zero. The Test Tolerance for this test is defined in subclause 5.11 and the explanation of how the Minimum Requirement has been relaxed by the Test Tolerance is given in Annex D.

The BER measured according to subclause 7.4.4.2 shall not exceed 0,001.

## 7.5 Blocking characteristics

### 7.5.1 Definition and applicability

#### 7.5.1.1 3,84 Mcps TDD option

The blocking characteristics is a measure of the receiver ability to receive a wanted signal at its assigned channel frequency in the presence of an unwanted interferer on frequencies other than those of the adjacent channels. The blocking performance requirements applies to interfering signals with center frequency within the ranges specified in tables 7.6, 7.7, 7.8, 7.9 and 7.10 respectively, using a 1 MHz step size.

The requirements in tables 7.6, 7.7 or 7.8 apply to base stations intended for general-purpose applications, depending on which frequency band is used. The additional requirements in Tables 7.9 and 7.10 may be applied for the protection of TDD BS receivers when GSM900 and/or DCS1800 BTS are co-located with UTRA TDD BS.

#### 7.5.1.2 1,28 Mcps TDD option

The blocking characteristics is a measure of the receiver ability to receive a wanted signal at its assigned channel frequency in the presence of an unwanted interferer on frequencies other than those of the adjacent channels. The blocking performance requirement applies to interfering signals with center frequency within the ranges specified in tables 7.6A, 7.7A, 7.8A, 7.9A and 7.10A respectively, using a 1 MHz step size.

The requirements in Table 7.6A, 7.7A or 7.8A apply to base stations intended for general-purpose applications, depending on which frequency band is used. The additional requirements in Tables 7.9A and 7.10A may be applied for the protection of TDD BS receivers when GSM900 and/or DCS1800 BTS are co-located with UTRA TDD BS.

## 7.5.2 Minimum Requirements

### 7.5.2.1 3,84 Mcps TDD option

#### 7.5.2.1.1 General requirements

The static reference performance as specified in clause 7.2 shall be met with a wanted and an interfering signal coupled to the BS antenna input using the parameters specified in tables 7.6, 7.7 and or 7.8 respectively.

**Table 7.6: Blocking requirements for operating bands defined in subclause 4.2 a)**

| Center frequency of interfering signal                  | Interfering signal level | Wanted signal level | Minimum offset of interfering signal | Type of interfering signal |
|---------------------------------------------------------|--------------------------|---------------------|--------------------------------------|----------------------------|
| 1900 – 1920 MHz,<br>2010 – 2025 MHz                     | -40 dBm                  | <REFSENS> + 6 dB    | 10 MHz                               | WCDMA signal with one code |
| 1880 – 1900 MHz,<br>1990 – 2010 MHz,<br>2025 – 2045 MHz | -40 dBm                  | <REFSENS> + 6 dB    | 10 MHz                               | WCDMA signal with one code |
| 1920 – 1980 MHz                                         | -40 dBm                  | <REFSENS> + 6 dB    | 10 MHz                               | WCDMA signal with one code |
| 1 - 1880 MHz,<br>1980 – 1990 MHz,<br>2045 – 12750 MHz   | -15 dBm                  | <REFSENS> + 6 dB    | —                                    | CW carrier                 |

**Table 7.7: Blocking requirements for operating bands defined in subclause 4.2 b)**

| Center frequency of interfering signal | Interfering signal level | Wanted signal level | Minimum offset of interfering signal | Type of interfering signal |
|----------------------------------------|--------------------------|---------------------|--------------------------------------|----------------------------|
| 1850 – 1990 MHz                        | -40 dBm                  | <REFSENS> + 6 dB    | 10 MHz                               | WCDMA signal with one code |
| 1830 – 1850 MHz,<br>1990 – 2010 MHz    | -40 dBm                  | <REFSENS> + 6 dB    | 10 MHz                               | WCDMA signal with one code |
| 1 – 1830 MHz,<br>2010 – 12750 MHz      | -15 dBm                  | <REFSENS> + 6 dB    | —                                    | CW carrier                 |

**Table 7.8: Blocking requirements for operating bands defined in subclause 4.2 c)**

| Center frequency of interfering signal | Interfering signal level | Wanted signal level | Minimum offset of interfering signal | Type of interfering signal |
|----------------------------------------|--------------------------|---------------------|--------------------------------------|----------------------------|
| 1910 – 1930 MHz                        | -40 dBm                  | <REFSENS> + 6 dB    | 10 MHz                               | WCDMA signal with one code |
| 1890 – 1910 MHz,<br>1930 – 1950 MHz    | -40 dBm                  | <REFSENS> + 6 dB    | 10 MHz                               | WCDMA signal with one code |
| 1 – 1890 MHz,<br>1950 – 12750 MHz      | -15 dBm                  | <REFSENS> + 6 dB    | —                                    | CW carrier                 |

The normative reference for this requirement is TS 25.105 [1] subclause 7.5.0.1.

#### 7.5.2.1.2 Co-location with GSM900 and/or DCS 1800

This additional blocking requirement may be applied for the protection of TDD BS receivers when GSM900 and/or DCS1800 BTS are co-located with UTRA TDD BS.

The blocking performance requirement applies to interfering signals with center frequency within the ranges specified in the tables below, using a 1MHz step size.

In case this additional blocking requirement is applied, the static reference performance as specified in clause 7.2.1 shall be met with a wanted and an interfering signal coupled to BS antenna input using the following parameters.

**Table 7.9: Additional blocking requirements for operating bands defined in subclause 4.2 a) when co-located with GSM900**

| Center Frequency of Interfering Signal | Interfering Signal Level | Wanted Signal Level | Minimum Offset of Interfering Signal | Type of Interfering Signal |
|----------------------------------------|--------------------------|---------------------|--------------------------------------|----------------------------|
| 921 – 960 MHz                          | +16 dBm                  | <REFSENS> + 6 dB    | —                                    | CW carrier                 |

**Table 7.10: Additional blocking requirements for operating bands defined in subclause 4.2 a) when co-located with DCS1800**

| Center Frequency of Interfering Signal | Interfering Signal Level | Wanted Signal Level | Minimum Offset of Interfering Signal | Type of Interfering Signal |
|----------------------------------------|--------------------------|---------------------|--------------------------------------|----------------------------|
| 1805 - 1880                            | +16 dBm                  | <REFSENS> + 6 dB    | —                                    | CW carrier                 |

The normative reference for this requirement is TS 25.105 [1] subclause 7.5.1.1.

## 7.5.2.2 1,28 Mcps TDD option

### 7.5.2.2.1 General requirements

The static reference performance as specified in clause 7.2 shall be met with a wanted and an interfering signal coupled to the BS antenna input using the parameters specified in tables 7.6A,7.7A or 7.8A, respectively.

**Table 7.6A: Blocking requirements for operating bands defined in subclause 4.2 a) for 1,28 Mcps TDD**

| Center frequency of interfering signal                  | Interfering signal level | Wanted signal level | Minimum offset of interfering signal | Type of interfering signal         |
|---------------------------------------------------------|--------------------------|---------------------|--------------------------------------|------------------------------------|
| 1900 – 1920 MHz,<br>2010 – 2025 MHz                     | -40 dBm                  | <REFSENS> + 6 dB    | 3.2 MHz                              | 1,28 Mcps TDD signal with one code |
| 1880 – 1900 MHz,<br>1990 – 2010 MHz,<br>2025 – 2045 MHz | -40 dBm                  | <REFSENS> + 6 dB    | 3.2 MHz                              | 1,28 Mcps TDD signal with one code |
| 1920 – 1980 MHz                                         | -40 dBm                  | <REFSENS> + 6 dB    | 3.2 MHz                              | 1,28 Mcps TDD signal with one code |
| 1 - 1880 MHz,<br>1980 – 1990 MHz,<br>2045 – 12750 MHz   | -15 dBm                  | <REFSENS> + 6 dB    | —                                    | CW carrier                         |

**Table 7.7A: Blocking requirements for operating bands defined in subclause 4.2 b)for 1,28 Mcps TDD**

| Center frequency of interfering signal | Interfering signal level | Wanted signal level | Minimum offset of interfering signal | Type of interfering signal         |
|----------------------------------------|--------------------------|---------------------|--------------------------------------|------------------------------------|
| 1850 – 1990 MHz                        | -40 dBm                  | <REFSENS> + 6 dB    | 3.2 MHz                              | 1,28 Mcps TDD signal with one code |
| 1830 – 1850 MHz,<br>1990 – 2010 MHz    | -40 dBm                  | <REFSENS> + 6 dB    | 3.2 MHz                              | 1,28 Mcps TDD signal with one code |
| 1 – 1830 MHz,<br>2010 – 12750 MHz      | -15 dBm                  | <REFSENS> + 6 dB    | —                                    | CW carrier                         |

**Table 7.8A: Blocking requirements for operating bands defined in subclause 4.2 c)for 1,28 Mcps TDD**

| Center frequency of interfering signal | Interfering signal level | Wanted signal level | Minimum offset of interfering signal | Type of interfering signal         |
|----------------------------------------|--------------------------|---------------------|--------------------------------------|------------------------------------|
| 1910 – 1930 MHz                        | -40 dBm                  | <REFSENS> + 6 dB    | 3.2 MHz                              | 1,28 Mcps TDD signal with one code |
| 1890 – 1910 MHz,<br>1930 – 1950 MHz    | -40 dBm                  | <REFSENS> + 6 dB    | 3.2 MHz                              | 1,28 Mcps TDD signal with one code |
| 1 – 1890 MHz,<br>1950 – 12750 MHz      | -15 dBm                  | <REFSENS> + 6 dB    | —                                    | CW carrier                         |

The normative reference for this requirement is TS 25.105 [1] subclause 7.5.0.2.

### 7.5.2.2.2 Co-location with GSM900 and/or DCS 1800

This additional blocking requirement may be applied for the protection of TDD BS receivers when GSM900 and/or DCS1800 BTS are co-located with UTRA TDD BS.

The blocking performance requirement applies to interfering signals with center frequency within the ranges specified in the tables below, using a 1MHz step size.

In case this additional blocking requirement is applied, the static reference performance as specified in clause 7.2.1 shall be met with a wanted and an interfering signal coupled to BS antenna input using the following parameters.

**Table 7.9A: Additional blocking requirements for operating bands defined in 4.2(a) when co-located with GSM900**

| Centre Frequency of Interfering Signal | Interfering Signal Level | Wanted Signal Level | Minimum Offset of Interfering Signal | Type of Interfering Signal |
|----------------------------------------|--------------------------|---------------------|--------------------------------------|----------------------------|
| 921 – 960 MHz                          | +16 dBm                  | <REFSENS> + 6 dB    | —                                    | CW carrier                 |

**Table 7.10A: Additional blocking requirements for operating bands defined in 4.2(a) when co-located with DCS1800**

| Center Frequency of Interfering Signal | Interfering Signal Level | Wanted Signal Level | Minimum Offset of Interfering Signal | Type of Interfering Signal |
|----------------------------------------|--------------------------|---------------------|--------------------------------------|----------------------------|
| 1805 – 1880                            | +16 dBm                  | <REFSENS> + 6 dB    | —                                    | CW carrier                 |

The normative reference for this requirement is TS 25.105 [1] subclause 7.5.1.2.

## 7.5.3 Test purpose

### 7.5.3.1 3,84 Mcps TDD option

The test stresses the ability of the BS receiver to withstand high-level interference from unwanted signals at frequency offsets of 10 MHz or more, without undue degradation of its sensitivity.

### 7.5.3.2 1,28 Mcps TDD option

The test stresses the ability of the BS receiver to withstand high-level interference from unwanted signals at frequency offsets of 3,2 MHz or more, without undue degradation of its sensitivity.

## 7.5.4 Method of test

### 7.5.4.1 Initial conditions

Test environment: normal; see subclause 5.9.1.

RF channels to be tested: M; see subclause 5.3. The BS shall be configured to operate as close to the centre of the operating band as possible.

- (1) Connect an UE simulator operating at the assigned channel frequency of the wanted signal and a signal generator to the antenna connector of one Rx port.
- (2) Terminate or disable any other Rx port not under test.



- (3) Start transmission from the BS tester to the BS using the UL reference measurement channel (12,2 kbps) defined in Annex A.2.1. The level of the UE simulator signal measured at the BS antenna connector shall be set to 6 dB above the reference sensitivity level specified in subclause 7.2.2.

## 7.5.4.2 Procedure

### 7.5.4.2.1 3,84 Mcps TDD option

- (1) Set the signal generator to produce an interfering signal at a frequency offset  $F_{uw}$  from the assigned channel frequency of the wanted signal which is given by

$$F_{uw} = \pm (n \times 1 \text{ MHz}),$$

where  $n$  shall be increased in integer steps from  $n = 10$  up to such a value that the center frequency of the interfering signal covers the range from 1 MHz to 12,75 GHz. The interfering signal level measured at the antenna connector shall be set in dependency of its center frequency, as specified in tables 7.6, 7.7, or 7.8 respectively. The type of the interfering signal is either equivalent to a continuous wideband CDMA signal with one code of chip frequency 3,84 Mchip/s, filtered by an RRC transmit pulse-shaping filter with roll-off  $\alpha = 0,22$ , or a CW signal; see tables 7.6, 7.7 or 7.8 respectively.

- (2) Measure the BER of the wanted signal at the BS receiver.  
 (3) Interchange the connections of the BS Rx ports and repeat the measurements according to steps (1) and (2).

**NOTE:** The test procedure as defined in steps (1) and (2) requests to carry out more than 10000 BER measurements. To reduce the time needed for these measurements, it may be appropriate to conduct the test in two phases: During phase 1, BER measurements are made on all center frequencies of the interfering signal as requested but with a reduced confidence level, with the aim to identify those frequencies which require more detailed investigation. In phase 2, detailed measurements are made only at those critical frequencies identified before, applying the required confidence level.

### 7.5.4.2.2 1,28 Mcps TDD option

- (1) Set the signal generator to produce an interfering signal at a frequency offset  $F_{uw}$  from the assigned channel frequency of the wanted signal which is given by

$$F_{uw} = \pm (n \times 1 \text{ MHz}),$$

where  $n$  shall be increased in integer steps from  $n = 10$  up to such a value that the center frequency of the interfering signal covers the range from 1 MHz to 12,75 GHz. The interfering signal level measured at the antenna connector shall be set in dependency of its center frequency, as specified in tables 7.6A, 7.7A, or 7.8A respectively. The type of the interfering signal is either equivalent to a continuous wideband CDMA signal with one code of chip frequency 1,28 Mchip/s, filtered by an RRC transmit pulse-shaping filter with roll-off  $\alpha = 0,22$ , or a CW signal; see tables 7.6A, 7.7A, or 7.8A respectively.

- (2) Measure the BER of the wanted signal at the BS receiver.  
 (3) Interchange the connections of the BS Rx ports and repeat the measurements according to steps (1) and (2).

**NOTE:** The test procedure as defined in steps (1) and (2) requests to carry out more than 10000 BER measurements. To reduce the time needed for these measurements, it may be appropriate to conduct the test in two phases: During phase 1, BER measurements are made on all center frequencies of the interfering signal as requested but with a reduced confidence level, with the aim to identify those frequencies which require more detailed investigation. In phase 2, detailed measurements are made only at those critical frequencies identified before, applying the required confidence level.

## 7.5.5 Test Requirements

**NOTE:** If the Test Requirement below differs from the Minimum Requirement, then the Test Tolerance applied for this test is non-zero. The Test Tolerance for this test is defined in subclause 5.11 and the explanation of how the Minimum Requirement has been relaxed by the Test Tolerance is given in Annex D.

In all measurements made according to subclause 7.5.4.2, the BER shall not exceed 0,001.

## 7.6 Intermodulation characteristics

### 7.6.1 Definition and applicability

Third and higher order mixing of two interfering RF signals can produce an interfering signal in the band of the desired channel. Intermodulation response rejection is a measure of the capability of the receiver to receive a wanted signal on its assigned channel frequency in the presence of two or more interfering signals which have a specific frequency relationship to the wanted signal.

The requirements in this subclause shall apply to base stations intended for general-purpose applications.

### 7.6.2 Minimum Requirements

#### 7.6.2.1 3,84 Mcps TDD option

The static reference performance as specified in clause 7.2 should be met when the following signals are coupled to the BS antenna input.

- A wanted signal at the assigned channel frequency, 6 dB above the static reference level.
- Two interfering signals with the parameters specified in table 7.11.

**Table 7.11: Parameters of the interfering signals for intermodulation characteristics testing**

| Interfering Signal Level | Offset | Type of Interfering Signal |
|--------------------------|--------|----------------------------|
| - 48 dBm                 | 10 MHz | CW signal                  |
| - 48 dBm                 | 20 MHz | WCDMA signal with one code |

The normative reference for this requirement is TS 25.105 [1] subclause 7.6.1.1.

#### 7.6.2.2 1,28 Mcps TDD option

The static reference performance as specified in clause 7.2 should be met when the following signals are coupled to the BS antenna input.

- A wanted signal at the assigned channel frequency, 6 dB above the static reference level.
- Two interfering signals with the parameters specified in table 7.11A.

**Table 7.11A: Parameters of the interfering signals for intermodulation characteristics testing for 1,28 Mcps TDD**

| Interfering Signal Level | Offset  | Type of Interfering Signal         |
|--------------------------|---------|------------------------------------|
| - 48 dBm                 | 3,2 MHz | CW signal                          |
| - 48 dBm                 | 6,4 MHz | 1,28 Mcps TDD signal with one code |

The normative reference for this requirement is TS 25.105 [1] subclause 7.6.1.2.

### 7.6.3 Test purpose

The test purpose is to verify the ability of the BS receiver to inhibit the generation of intermodulation products in its non-linear elements caused by the presence of two high-level interfering signals at frequencies with a specific relationship to the frequency of the wanted signal.

## 7.6.4 Method of test

### 7.6.4.1 Initial conditions

Test environment: normal; see subclause 5.9.1.

RF channels to be tested: B, M and T; see subclause 5.3.

- (1) Connect an UE simulator operating at the assigned channel frequency of the wanted signal and two signal generators to the antenna connector of one Rx port.
- (2) Terminate or disable any other Rx port not under test.
- (3) Start transmission from the BS tester to the BS using the UL reference measurement channel (12,2 kbps) defined in Annex A.2.1. The level of the UE simulator signal measured at the BS antenna connector shall be set to 6 dB above the reference sensitivity level specified in subclause 7.2.2.
- (4) Set the first signal generator to produce a CW signal with a level measured at the BS antenna connector of -48 dBm.
- (5) Set the second signal generator to produce an interfering signal equivalent to a wideband CDMA signal with one code of chip frequency, filtered by an RRC transmit pulse-shaping filter with roll-off  $\alpha = 0,22$ . The level of the signal measured at the BS antenna connector shall be set to -48 dBm.

### 7.6.4.2 Procedure

#### 7.6.4.2.1 3,84 Mcps TDD option

- (1) The frequency of the first and the second signal generator shall be set to 10 MHz and 20 MHz, respectively, above the assigned channel frequency of the wanted signal.
- (2) Measure the BER of the wanted signal at the BS receiver.
- (3) The frequency of the first and the second signal generator shall be set to 10 MHz and 20 MHz, respectively, below the assigned channel frequency of the wanted signal.
- (4) Measure the BER of the wanted signal at the BS receiver.
- (5) Interchange the connections of the BS Rx ports and repeat the measurements according to steps (1) to (4).

#### 7.6.4.2.2 1,28 Mcps TDD option

- (1) The frequency of the first and the second signal generator shall be set to 3,2 MHz and 6,4 MHz, respectively, above the assigned channel frequency of the wanted signal.
- (2) Measure the BER of the wanted signal at the BS receiver.
- (3) The frequency of the first and the second signal generator shall be set to 3,2 MHz and 6,4 MHz, respectively, below the assigned channel frequency of the wanted signal.
- (4) Measure the BER of the wanted signal at the BS receiver.
- (5) Interchange the connections of the BS Rx ports and repeat the measurements according to steps (1) to (4).

## 7.6.5 Test Requirements

NOTE: If the Test Requirement below differs from the Minimum Requirement, then the Test Tolerance applied for this test is non-zero. The Test Tolerance for this test is defined in subclause 5.11 and the explanation of how the Minimum Requirement has been relaxed by the Test Tolerance is given in Annex D.

The BER measured according subclause 7.6.4.2 to shall not exceed 0,001.

## 7.7 Spurious emissions

### 7.7.1 Definition and applicability

The spurious emissions power is the power of emissions generated or amplified in a receiver that appear at the BS antenna connector. The requirements apply to all BS with separate Rx and Tx antenna connectors. For BS equipped with only a single antenna connector for both transmitter and receiver, the requirements of subclause 6.6.3 shall apply to this port, and this test need not be performed.

The requirements in this subclause shall apply to base stations intended for general-purpose applications.

### 7.7.2 Minimum Requirements

#### 7.7.2.1 3,84 Mcps TDD option

The power of any spurious emission shall not exceed the values given in table 7.12.

**Table 7.12: Receiver spurious emission requirements**

| Band                  | Maximum level | Measurement Bandwidth | Note                                                                                                                                              |
|-----------------------|---------------|-----------------------|---------------------------------------------------------------------------------------------------------------------------------------------------|
| 30 MHz – 1 GHz        | -57 dBm       | 100 kHz               |                                                                                                                                                   |
| 1 GHz – 1,9 GHz       | -47 dBm       | 1 MHz                 | With the exception of frequencies between 12,5 MHz below the first carrier frequency and 12,5 MHz above the last carrier frequency used by the BS |
| 1,900 – 1,980 GHz     | -78 dBm       | 3,84 MHz              | With the exception of frequencies between 12,5 MHz below the first carrier frequency and 12,5 MHz above the last carrier frequency used by the BS |
| 1,980 – 2,010 GHz     | -47 dBm       | 1 MHz                 | With the exception of frequencies between 12,5 MHz below the first carrier frequency and 12,5 MHz above the last carrier frequency used by the BS |
| 2,010 – 2,025 GHz     | -78 dBm       | 3,84 MHz              | With the exception of frequencies between 12,5 MHz below the first carrier frequency and 12,5 MHz above the last carrier frequency used by the BS |
| 2,025 GHz – 12,75 GHz | -47 dBm       | 1 MHz                 | With the exception of frequencies between 12,5 MHz below the first carrier frequency and 12,5 MHz above the last carrier frequency used by the BS |

In addition to the requirements in table 7.12, the co-existence requirements for co-located base stations in subclauses 6.6.3.2.2.2, 6.6.3.2.3.2 and 6.6.3.2.4.2 may also be applied.

The normative reference for this requirement is TS 25.105 [1] subclause 7.7.1.1.

#### 7.7.2.2 1,28 Mcps TDD option

The power of any spurious emission shall not exceed the values given in table 7.12A.

**Table 7.12A: Receiver spurious emission requirements for 1,28 Mcps TDD**

| Band                                           | Maximum level | Measurement Bandwidth | Note                                                                                                                                       |
|------------------------------------------------|---------------|-----------------------|--------------------------------------------------------------------------------------------------------------------------------------------|
| 30 MHz – 1 GHz                                 | -57 dBm       | 100 kHz               |                                                                                                                                            |
| 1 GHz – 1.9 GHz and<br>1.98 GHz – 2.01 GHz     | -47 dBm       | 1 MHz                 | With the exception of frequencies between 4MHz below the first carrier frequency and 4MHz above the last carrier frequency used by the BS. |
| 1.9 GHz – 1.98 GHz and<br>2.01 GHz – 2.025 GHz | -83 dBm       | 1.28 MHz              | With the exception of frequencies between 4MHz below the first carrier frequency and 4MHz above the last carrier frequency used by the BS. |
| 2.025 GHz – 12.75 GHz                          | -47 dBm       | 1 MHz                 | With the exception of frequencies between 4MHz below the first carrier frequency and 4MHz above the last carrier frequency used by the BS. |

In addition to the requirements in table 7.12A, the co-existence requirements for co-located base stations in subclauses 6.6.3.2.2.2, 6.6.3.2.3.2 and 6.6.3.2.4.2 may also be applied.

The normative reference for this requirement is TS 25.105 [1] subclause 7.7.1.2.

### 7.7.3 Test purpose

The test purpose is to verify the ability of the BS to limit the interference caused by receiver spurious emissions to other systems.

### 7.7.4 Method of test

#### 7.7.4.1 Initial conditions

##### 7.7.4.1.0 General test conditions

Test environment: normal; see subclause 5.9.1.

RF channels to be tested: M; see subclause 5.3.

##### 7.7.4.1.1 3,84 Mcps TDD option

- (1) Connect the measuring equipment to the antenna connector of one BS Rx port.
- (2) Terminate or disable any other BS Rx port not under test.
- (3) Set the BS receiver to operational mode.
- (4) Set the BS to transmit a signal with parameters according to table 7.13.
- (5) Terminate the Tx port(s).

**Table 7.13: Parameters of the transmitted signal for Rx spurious emissions test**

| Parameter                        | Value/description                                                                           |
|----------------------------------|---------------------------------------------------------------------------------------------|
| TDD Duty Cycle                   | TS $i$ ; $i = 0, 1, 2, \dots, 14$ :<br>transmit, if $i$ is even;<br>receive, if $i$ is odd. |
| BS output power setting          | PRAT                                                                                        |
| Number of DPCH in each active TS | 9                                                                                           |
| Power of each DPCH               | 1/9 of Base Station output power                                                            |
| Data content of DPCH             | real life<br>(sufficient irregular)                                                         |

## 7.7.4.1.2 1,28 Mcps TDD option

- (1) Connect the measuring equipment to the antenna connector of one BS Rx port.
- (2) Terminate or disable any other BS Rx port not under test.
- (3) Set the BS receiver to operational mode.
- (4) Set the BS to transmit a signal with parameters according to table 7.13A.
- (5) Terminate the Tx port(s).

**Table 7.13A: Parameters of the transmitted signal for Rx spurious emissions test for 1,28 Mcps TDD**

| Parameter                        | Value/description                                                                               |
|----------------------------------|-------------------------------------------------------------------------------------------------|
| TDD Duty Cycle                   | TS $i$ ; $i = 0, 1, 2, \dots, 6$ :<br>transmit, if $i$ is 0,4,5,6;<br>receive, if $i$ is 1,2,3. |
| BS output power setting          | PRAT                                                                                            |
| Number of DPCH in each active TS | 8                                                                                               |
| Power of each DPCH               | 1/8 of Base Station output power                                                                |
| Data content of DPCH             | real life<br>(sufficient irregular)                                                             |

## 7.7.4.2 Procedure

## 7.7.4.2.1 3,84 Mcps TDD option

- (1) Measure the power of the spurious emissions by applying the measuring equipment with the settings as specified in table 7.14. The characteristics of the measurement filter with the bandwidth 3,84 MHz shall be RRC with roll-off  $\alpha = 0,22$ . The characteristics of the measurement filters with bandwidths 100 kHz and 1 MHz shall be approximately Gaussian (typical spectrum analyzer filter). The center frequency of the filters shall be stepped in contiguous steps over the frequency bands as specified in table 7.14. The time duration of each step shall be sufficiently long to capture one even (transmit) time slot.
- (2) If the BS is equipped with more than one Rx port, interchange the connections of the BS Rx ports and repeat the measurement according to (1).

**Table 7.14: Measurement equipment settings**

| Stepped frequency range | Measurement bandwidth | Step width | Note                                                                                                                                              | Detection mode |
|-------------------------|-----------------------|------------|---------------------------------------------------------------------------------------------------------------------------------------------------|----------------|
| 30 MHz – 1 GHz          | 100 kHz               | 100 kHz    | With the exception of frequencies between 12,5 MHz below the first carrier frequency and 12,5 MHz above the last carrier frequency used by the BS | true RMS       |
| 1 GHz – 1,900 GHz       | 1 MHz                 | 1 MHz      |                                                                                                                                                   |                |
| 1,900 GHz – 1,980 GHz   | 3,84 MHz              | 200 kHz    |                                                                                                                                                   |                |
| 1,980 GHz – 2,010 GHz   | 1 MHz                 | 1 MHz      |                                                                                                                                                   |                |
| 2,010 GHz – 2,025 GHz   | 3,84 MHz              | 200 kHz    |                                                                                                                                                   |                |
| 2,025 GHz – 12,75 GHz   | 1 MHz                 | 1 MHz      |                                                                                                                                                   |                |

## 7.7.4.2.2 1,28 Mcps TDD option

- (1) Measure the power of the spurious emissions by applying the measuring equipment with the settings as specified in table 7.14A. The characteristics of the measurement filter with the bandwidth 1,28 MHz shall be RRC with roll-off  $\alpha = 0,22$ . The characteristics of the measurement filters with bandwidths 100 kHz and 1 MHz shall be approximately Gaussian (typical spectrum analyzer filter). The center frequency of the filters shall be stepped in contiguous steps over the frequency bands as specified in table 7.14A. The time duration of each step shall be sufficiently long to capture one even (transmit) time slot.
- (2) If the BS is equipped with more than one Rx port, interchange the connections of the BS Rx ports and repeat the measurement according to (1).

Table 7.14A: Measurement equipment settings

| Stepped frequency range | Measurement bandwidth | Step width | Note                                                                                                                                        | Detection mode |
|-------------------------|-----------------------|------------|---------------------------------------------------------------------------------------------------------------------------------------------|----------------|
| 30 MHz – 1 GHz          | 100 kHz               | 100 kHz    | With the exception of frequencies between 4 MHz below the first carrier frequency and 4 MHz above the last carrier frequency used by the BS | true RMS       |
| 1 GHz – 1,900 GHz       | 1 MHz                 | 1 MHz      |                                                                                                                                             |                |
| 1,900 GHz – 1,980 GHz   | 1,28 MHz              | 200 kHz    |                                                                                                                                             |                |
| 1,980 GHz – 2,010 GHz   | 1 MHz                 | 1 MHz      |                                                                                                                                             |                |
| 2,010 GHz – 2,025 GHz   | 1,28 MHz              | 200 kHz    |                                                                                                                                             |                |
| 2,025 GHz – 12,75 GHz   | 1 MHz                 | 1 MHz      |                                                                                                                                             |                |

## 7.7.5 Test Requirements

NOTE: If the Test Requirement below differs from the Minimum Requirement, then the Test Tolerance applied for this test is non-zero. The Test Tolerance for this test is defined in subclause 5.1.1 and the explanation of how the Minimum Requirement has been relaxed by the Test Tolerance is given in Annex D.

The spurious emissions measured according to subclause 7.7.4.2 shall not exceed the limits specified in subclause 7.7.2.

# 8 Performance requirements

## 8.1 General

Performance requirements for the BS are specified for the measurement channels defined in Annex A and the propagation conditions in Annex B. The requirements only apply to those measurement channels that are supported by the base station.

The characteristics of the white noise source, simulating interference from other cells ( $I_{oc}$ ), shall comply with the AWGN interferer definition in subclause 5.18.

The requirements only apply to a base station with dual receiver antenna diversity. The required  $\hat{I}_{or}/I_{oc}$  shall be applied separately at each antenna port.

Table 8.1: Summary of Base Station performance targets

| Physical channel | Measurement channel | Static                    | Multi-path Case 1         | Multi-path Case 2         | Multi-path Case 3                  |
|------------------|---------------------|---------------------------|---------------------------|---------------------------|------------------------------------|
|                  |                     | Performance metric        |                           |                           |                                    |
| DCH              | 12,2 kbps           | BLER < $10^{-2}$          | BLER < $10^{-2}$          | BLER < $10^{-2}$          | BLER < $10^{-2}$                   |
|                  | 64 kbps             | BLER < $10^{-1}, 10^{-2}$ | BLER < $10^{-1}, 10^{-2}$ | BLER < $10^{-1}, 10^{-2}$ | BLER < $10^{-1}, 10^{-2}, 10^{-3}$ |
|                  | 144 kbps            | BLER < $10^{-1}, 10^{-2}$ | BLER < $10^{-1}, 10^{-2}$ | BLER < $10^{-1}, 10^{-2}$ | BLER < $10^{-1}, 10^{-2}, 10^{-3}$ |
|                  | 384 kbps            | BLER < $10^{-1}, 10^{-2}$ | BLER < $10^{-1}, 10^{-2}$ | BLER < $10^{-1}, 10^{-2}$ | BLER < $10^{-1}, 10^{-2}, 10^{-3}$ |

## 8.2 Demodulation in static propagation conditions

### 8.2.1 Demodulation of DCH

#### 8.2.1.1 Definition and applicability

The performance requirement of DCH in static propagation conditions is determined by the maximum Block Error Ratio (BLER) allowed when the receiver input signal is at a specified  $\hat{I}_{or}/I_{oc}$  limit. The BLER is calculated for each of the measurement channels supported by the base station.

The requirements in this subclause shall apply to base stations intended for general-purpose applications.

## 8.2.1.2 Minimum Requirements

## 8.2.1.2.1 3,84 Mcps TDD option

For the parameters specified in table 8.2, the BLER should not exceed the piece-wise linear BLER curve specified in table 8.3. These requirements are applicable for TFCS size 16.

**Table 8.2: Parameters in static propagation conditions**

| Parameters                    | Unit         | Test 1 | Test 2 | Test 3 | Test 4 |
|-------------------------------|--------------|--------|--------|--------|--------|
| Number of DPCH <sub>o</sub>   |              | 6      | 4      | 0      | 0      |
| $\frac{DPCH_o - E_c}{I_{or}}$ | DB           | -9     | -9,5   | -      | -      |
| $I_{oc}$                      | dBm/3,84 MHz | -89    |        |        |        |
| Information Data Rate         | Kbps         | 12,2   | 64     | 144    | 384    |

**Table 8.3: Performance requirements in AWGN channel.**

| Test Number | $\frac{\hat{I}_{or}}{I_{oc}}$ [dB] | BLER      |
|-------------|------------------------------------|-----------|
| 1           | -1,9                               | $10^{-2}$ |
| 2           | -0,3                               | $10^{-1}$ |
|             | 0,0                                | $10^{-2}$ |
| 3           | 0,0                                | $10^{-1}$ |
|             | 0,2                                | $10^{-2}$ |
| 4           | -0,5                               | $10^{-1}$ |
|             | -0,3                               | $10^{-2}$ |

The normative reference for this requirement is TS 25.105 [1] subclause 8.2.1.1.1.

## 8.2.1.2.2 1,28 Mcps TDD option

For the parameters specified in table 8.2A, the BLER should not exceed the piece-wise linear BLER curve specified in table 8.3A. These requirements are applicable for TFCS size 16.

**Table 8.2A: Parameters in static propagation conditions for 1,28 Mcps TDD**

| Parameters                         | Unit         | Test 1 | Test 2 | Test 3 | Test 4 |
|------------------------------------|--------------|--------|--------|--------|--------|
| Number of DPCH <sub>o</sub>        |              | 4      | 1      | 1      | 0      |
| Spread factor of DPCH <sub>o</sub> |              | 8      | 8      | 8      |        |
| $\frac{DPCH_o - E_c}{I_{or}}$      | dB           | -7     | -7     | -7     | -      |
| $I_{oc}$                           | dBm/1,28 MHz | -91    |        |        |        |
| Information Data Rate              | kbps         | 12,2   | 64     | 144    | 384    |

**Table 8.3A: Performance requirements in AWGN channel for 1,28 Mcps TDD**

| Test Number | $\frac{\hat{I}_{or}}{I_{oc}}$ [dB] | BLER      |
|-------------|------------------------------------|-----------|
| 1           | 0.6                                | $10^{-2}$ |
| 2           | -0.9                               | $10^{-1}$ |
|             | -0.4                               | $10^{-2}$ |
| 3           | -0.3                               | $10^{-1}$ |
|             | -0.1                               | $10^{-2}$ |
| 4           | 0.5                                | $10^{-1}$ |
|             | 0.6                                | $10^{-2}$ |



The normative reference for this requirement is TS 25.105 [1] subclause 8.2.1.1.2.

### 8.2.1.3 Test purpose

The test purpose is to verify the ability of the BS to receive a prescribed test signal under static propagation conditions with a BLER not exceeding a specified limit. Within the wanted channel, intracell interference sources as well as an additional intercell interference source are taken into account. Therefore, this test – as all other tests in clause 8 - mainly checks the ability of the signal processing part of the receiver to extract the wanted signal from the interfered-with input signal, whereas the tests in clause 7 concentrate on the receiver RF part.

### 8.2.1.4 Method of test

#### 8.2.1.4.1 Initial conditions

##### 8.2.1.4.1.0 General test conditions

Test environment: normal; see subclause 5.9.1.

RF channels to be tested: B, M and T; see subclause 5.3.

##### 8.2.1.4.1.1 3,84 Mcps TDD option

Connect the BS tester (UE simulator) generating the wanted signal and a set of interference generators to both BS antenna connectors for diversity reception via a combining network. The set of interference generators comprises a number of CDMA generators, each representing an individual intracell interferer (subsequently called DPCH<sub>0</sub> generators), and an additional band-limited white noise source, simulating interference from other cells. Each DPCH<sub>0</sub> generator shall produce an interfering signal that is equivalent to a valid UTRA TDD signal with spreading factor 16, using the same time slot(s) than the wanted signal and applying the same cell-specific scrambling code. The number of the DPCH<sub>0</sub> generators used in each test is given in table 8.2.

##### 8.2.1.4.1.2 1,28 Mcps TDD option

Connect the BS tester (UE simulator) generating the wanted signal and a set of interference generators to both BS antenna connectors for diversity reception via a combining network. The set of interference generators comprises a number of CDMA generators, each representing an individual intracell interferer (subsequently called DPCH<sub>0</sub> generators), and an additional band-limited white noise source, simulating interference from other cells. Each DPCH<sub>0</sub> generator shall produce an interfering signal that is equivalent to a valid UTRA TDD signal with spreading factor 8, using the same time slot(s) than the wanted signal and applying the same cell-specific scrambling code. The number of the DPCH<sub>0</sub> generators used in each test is given in table 8.2A.

#### 8.2.1.4.2 Procedure

##### 8.2.1.4.2.1 3,84 Mcps TDD option

- (1) Adjust the power of the band-limited white noise source in such a way that its power spectral density measured at the BS antenna connector takes on the value  $I_{oc}$  as specified in table 8.2.
- (2) For a given test defined by the information data rate and the BLER objective, set the power of each DPCH<sub>0</sub> measured at the BS antenna connector during the active time slots to the value specified in table 8.4.
- (3) Set up a call between the BS tester generating the wanted signal and the BS. The characteristics of the call shall be configured according to the information data rate to be provided and the corresponding UL reference measurement channel defined in Annex A. Depending on the information data rate, the UL reference measurement channel makes use of one or two Dedicated Physical Channels (DPCH<sub>1</sub> and DPCH<sub>2</sub>) with different spreading factors SF. The power(s) of DPCH<sub>1</sub> and DPCH<sub>2</sub> (if applicable) measured at the BS antenna connector during the active time slots shall be set to the value(s) given in table 8.4.
- (4) Measure the BLER of the wanted signal at the BS receiver.

**Table 8.4: Parameters of DPCH<sub>0</sub> and the wanted signal**

| Test Number | BLER objective   | Number of DPCH <sub>0</sub> | Power of each DPCH <sub>0</sub> measured at the BS antenna connector [dBm] | Parameters of the wanted signal |    |                                                  |
|-------------|------------------|-----------------------------|----------------------------------------------------------------------------|---------------------------------|----|--------------------------------------------------|
|             |                  |                             |                                                                            | DPCH                            | SF | Power measured at the BS antenna connector [dBm] |
| 1           | 10 <sup>-2</sup> | 6                           | -99,9                                                                      | DPCH <sub>1</sub>               | 8  | -96,9                                            |
| 2           | 10 <sup>-1</sup> | 4                           | -98,8                                                                      | DPCH <sub>1</sub>               | 16 | -98,8                                            |
|             |                  |                             |                                                                            | DPCH <sub>2</sub>               | 4  | -92,8                                            |
|             | 10 <sup>-2</sup> | 4                           | -98,5                                                                      | DPCH <sub>1</sub>               | 16 | -98,5                                            |
|             |                  |                             |                                                                            | DPCH <sub>2</sub>               | 4  | -92,5                                            |
| 3           | 10 <sup>-1</sup> | 0                           | -                                                                          | DPCH <sub>1</sub>               | 16 | -98,5                                            |
|             |                  |                             |                                                                            | DPCH <sub>2</sub>               | 2  | -89,5                                            |
|             | 10 <sup>-2</sup> | 0                           | -                                                                          | DPCH <sub>1</sub>               | 16 | -98,3                                            |
|             |                  |                             |                                                                            | DPCH <sub>2</sub>               | 2  | -89,3                                            |
| 4           | 10 <sup>-1</sup> | 0                           | -                                                                          | DPCH <sub>1</sub>               | 2  | -89,5                                            |
|             | 10 <sup>-2</sup> | 0                           | -                                                                          | DPCH <sub>1</sub>               | 2  | -89,3                                            |

#### 8.2.1.4.2.2 1,28 Mcps TDD option

- (1) Adjust the power of the band-limited white noise source in such a way that its power spectral density measured at the BS antenna connector takes on the value  $I_{oc}$  as specified in table 8.2A.
- (2) For a given test defined by the information data rate and the BLER objective, set the power of each DPCH<sub>0</sub> measured at the BS antenna connector during the active time slots to the value specified in table 8.4A.
- (3) Set up a call between the BS tester generating the wanted signal and the BS. The characteristics of the call shall be configured according to the information data rate to be provided and the corresponding UL reference measurement channel defined in Annex A. Depending on the information data rate, the UL reference measurement channel makes use of one or two Dedicated Physical Channels (DPCH<sub>1</sub> and DPCH<sub>2</sub>) with different spreading factors SF. The power(s) of DPCH<sub>1</sub> and DPCH<sub>2</sub> (if applicable) measured at the BS antenna connector during the active time slots shall be set to the value(s) given in table 8.4A.
- (4) Measure the BLER of the wanted signal at the BS receiver.

**Table 8.4A: Parameters of DPCH<sub>0</sub> and the wanted signal for 1,28 Mcps TDD**

| Test Number | BLER objective   | Number of DPCH <sub>0</sub> | Power of each DPCH <sub>0</sub> measured at the BS antenna connector [dBm] | Parameters of the wanted signal |    |                                                  |
|-------------|------------------|-----------------------------|----------------------------------------------------------------------------|---------------------------------|----|--------------------------------------------------|
|             |                  |                             |                                                                            | DPCH                            | SF | Power measured at the BS antenna connector [dBm] |
| 1           | 10 <sup>-2</sup> | 4                           | -97.4                                                                      | DPCH <sub>1</sub>               | 8  | -97.4                                            |
| 2           | 10 <sup>-1</sup> | 1                           | -98.9                                                                      | DPCH <sub>1</sub>               | 2  | -92.9                                            |
|             | 10 <sup>-2</sup> | 1                           | -98.4                                                                      | DPCH <sub>1</sub>               | 2  | -92.5                                            |
| 3           | 10 <sup>-1</sup> | 1                           | -98.3                                                                      | DPCH <sub>1</sub>               | 2  | -92.3                                            |
|             | 10 <sup>-2</sup> | 1                           | -98.1                                                                      | DPCH <sub>1</sub>               | 2  | -92.1                                            |
| 4           | 10 <sup>-1</sup> | 0                           | -                                                                          | DPCH <sub>1</sub>               | 8  | -97.5                                            |
|             |                  |                             |                                                                            | DPCH <sub>2</sub>               | 2  | -91.5                                            |
|             | 10 <sup>-2</sup> | 0                           | -                                                                          | DPCH <sub>1</sub>               | 8  | -97.4                                            |
|             |                  |                             |                                                                            | DPCH <sub>2</sub>               | 2  | -91.4                                            |

#### 8.2.1.5 Test Requirements

NOTE: If the Test Requirement below differs from the Minimum Requirement, then the Test Tolerance applied for this test is non-zero. The Test Tolerance for this test is defined in subclause 5.11 and the explanation of how the Minimum Requirement has been relaxed by the Test Tolerance is given in Annex D.

##### 8.2.1.5.1 3,84 Mcps TDD option

The BLER measured according to subclause 8.2.1.4.2 shall not exceed the limits specified in table 8.3.

### 8.2.1.5.2 1,28 Mcps TDD option

The BLER measured according to subclause 8.2.1.4.2. shall not exceed the limits specified in table 8.3A.

## 8.3 Demodulation of DCH in multipath fading conditions

### 8.3.1 Multipath fading Case 1

#### 8.3.1.1 Definition and applicability

The performance requirement of DCH in multipath fading Case 1 is determined by the maximum Block Error Ratio (BLER) allowed when the receiver input signal is at a specified  $\hat{I}_{or}/I_{oc}$  limit. The BLER is calculated for each of the measurement channels supported by the base station.

The requirements in this subclause shall apply to base stations intended for general-purpose applications.

#### 8.3.1.2 Minimum Requirements

##### 8.3.1.2.1 3,84 Mcps TDD option

For the parameters specified in table 8.5, the BLER should not exceed the piece-wise linear BLER curve specified in table 8.6. These requirements are applicable for TFCS size 16.

**Table 8.5: Parameters in multipath Case 1 channel**

| Parameters                    | Unit         | Test 1 | Test 2 | Test 3 | Test 4 |
|-------------------------------|--------------|--------|--------|--------|--------|
| Number of DPCH <sub>o</sub>   |              | 6      | 4      | 0      | 0      |
| $\frac{DPCH_o - E_c}{I_{or}}$ | dB           | -9     | -9,5   | -      | -      |
| $I_{oc}$                      | dBm/3,84 MHz | -89    |        |        |        |
| Information Data Rate         | Kbps         | 12,2   | 64     | 144    | 384    |

**Table 8.6: Performance requirements in multipath Case 1 channel.**

| Test Number | $\frac{\hat{I}_{or}}{I_{oc}}$ [dB] | BLER      |
|-------------|------------------------------------|-----------|
| 1           | 6,3                                | $10^{-2}$ |
|             | 5,5                                | $10^{-1}$ |
| 2           | 9,4                                | $10^{-2}$ |
|             | 5,6                                | $10^{-1}$ |
| 3           | 9,4                                | $10^{-2}$ |
|             | 5,5                                | $10^{-1}$ |
| 4           | 8,7                                | $10^{-2}$ |

The normative reference for this requirement is TS 25.105 [1] subclause 8.3.1.1.1.

##### 8.3.1.2.2 1,28 Mcps TDD option

For the parameters specified in table 8.5A, the BLER should not exceed the piece-wise linear BLER curve specified in table 8.6A. These requirements are applicable for TFCS size 16.

**Table 8.5A: Parameters in multipath Case 1 channel for 1,28 Mcps TDD**

| Parameters                         | Unit         | Test 1 | Test 2 | Test 3 | Test 4 |
|------------------------------------|--------------|--------|--------|--------|--------|
| Number of DPCH <sub>o</sub>        |              | 4      | 1      | 1      | 0      |
| Spread factor of DPCH <sub>o</sub> |              | 8      | 8      | 8      |        |
| $\frac{DPCH_o - E_c}{I_{or}}$      | dB           | -7     | -7     | -7     | -      |
| $I_{oc}$                           | dBm/1,28 MHz | -91    |        |        |        |
| Information Data Rate              | kbps         | 12,2   | 64     | 144    | 384    |

**Table 8.6A: Performance requirements multipath Case 1 channel for 1,28 Mcps TDD**

| Test Number | $\frac{\hat{I}_{or}}{I_{oc}}$ [dB] | BLER             |
|-------------|------------------------------------|------------------|
| 1           | 10.4                               | 10 <sup>-2</sup> |
| 2           | 5.3                                | 10 <sup>-1</sup> |
|             | 9.4                                | 10 <sup>-2</sup> |
| 3           | 5.7                                | 10 <sup>-1</sup> |
|             | 10.1                               | 10 <sup>-2</sup> |
| 4           | 6.0                                | 10 <sup>-1</sup> |
|             | 10.0                               | 10 <sup>-2</sup> |

The normative reference for this requirement is TS 25.105 [1] subclause 8.3.1.1.2.

### 8.3.1.3 Test purpose

The test purpose is to verify the ability of the BS to receive a prescribed test signal under defined propagation conditions (multipath fading Case 1) with a BLER not exceeding a specified limit. Within the wanted channel, independent intracell interference sources as well as an additional intercell interference source are taken into account. Therefore, this test – as all other tests in clause 8 - mainly checks the ability of the signal processing part of the receiver to extract the wanted signal from the distorted and interfered-with input signal, whereas the tests in clause 7 concentrate on the receiver RF part.

### 8.3.1.4 Method of test

#### 8.3.1.4.1 Initial conditions

##### 8.3.1.4.1.0 General test conditions

Test environment: normal; see subclause 5.9.1.

RF channels to be tested: B, M and T; see subclause 5.3.

##### 8.3.1.4.1.1 3,84 Mcps TDD option

- (1) Connect the BS tester (UE simulator) generating the wanted signal and a set of interference generators to both BS antenna connectors for diversity reception via a combining network. The set of interference generators comprises a number of CDMA generators, each representing an individual intracell interferer (subsequently called DPCH<sub>o</sub> generators), and an additional band-limited white noise source, simulating interference from other cells. Each DPCH<sub>o</sub> generator shall produce an interfering signal that is equivalent to a valid UTRA TDD signal with spreading factor 16, using the same time slot(s) than the wanted signal and applying the same cell-specific scrambling code. The number of the DPCH<sub>o</sub> generators used in each test is given in table 8.5.
- (2) The wanted signal produced by the BS tester and the interfering signals produced by the DPCH<sub>o</sub> generators are individually passed through independent Multipath Fading Simulators (MFS) before entering the combining network. Each MFS shall be configured to simulate multipath fading Case 1.

## 8.3.1.4.1.2 1,28 Mcps TDD option

- (1) Connect the BS tester (UE simulator) generating the wanted signal and a set of interference generators to both BS antenna connectors for diversity reception via a combining network. The set of interference generators comprises a number of CDMA generators, each representing an individual intracell interferer (subsequently called DPCH<sub>0</sub> generators), and an additional band-limited white noise source, simulating interference from other cells. Each DPCH<sub>0</sub> generator shall produce an interfering signal that is equivalent to a valid UTRA TDD signal with spreading factor 8, using the same time slot(s) than the wanted signal and applying the same cell-specific scrambling code. The number of the DPCH<sub>0</sub> generators used in each test is given in table 8.5A.
- (2) The wanted signal produced by the BS tester and the interfering signals produced by the DPCH<sub>0</sub> generators are individually passed through independent Multipath Fading Simulators (MFS) before entering the combining network. Each MFS shall be configured to simulate multipath fading Case 1.

## 8.3.1.4.2 Procedure

## 8.3.1.4.2.1 3,84 Mcps TDD option

- (1) Adjust the power of the band-limited white noise source in such a way that its power spectral density measured at the BS antenna connector takes on the value  $I_{oc}$  as specified in table 8.5.
- (2) For a given test defined by the information data rate and the BLER objective, set the power of each DPCH<sub>0</sub> measured at the BS antenna connector during the active time slots to the value specified in table 8.7.
- (3) Set up a call between the BS tester generating the wanted signal and the BS. The characteristics of the call shall be configured according to the information data rate to be provided and the corresponding UL reference measurement channel defined in Annex A. Depending on the information data rate, the UL reference measurement channel makes use of one or two Dedicated Physical Channels (DPCH<sub>1</sub> and DPCH<sub>2</sub>) with different spreading factors SF. The power(s) of DPCH<sub>1</sub> and DPCH<sub>2</sub> (if applicable) measured at the BS antenna connector during the active time slots shall be set to the value(s) given in table 8.7.
- (4) Measure the BLER of the wanted signal at the BS receiver.

Table 8.7: Parameters of DPCH<sub>0</sub> and the wanted signal

| Test Number       | BLER objective | Number of DPCH <sub>0</sub> | Power of each DPCH <sub>0</sub> measured at the BS antenna connector [dBm] | Parameters of the wanted signal |       |                                                  |
|-------------------|----------------|-----------------------------|----------------------------------------------------------------------------|---------------------------------|-------|--------------------------------------------------|
|                   |                |                             |                                                                            | DPCH                            | SF    | Power measured at the BS antenna connector [dBm] |
| 1                 | $10^{-2}$      | 6                           | -91,7                                                                      | DPCH <sub>1</sub>               | 8     | -88,7                                            |
| 2                 | $10^{-1}$      | 4                           | -93                                                                        | DPCH <sub>1</sub>               | 16    | -93                                              |
|                   | $10^{-2}$      | 4                           | -89,1                                                                      | DPCH <sub>2</sub>               | 4     | -87                                              |
| DPCH <sub>1</sub> |                |                             |                                                                            | 16                              | -89,1 |                                                  |
| 3                 | $10^{-1}$      | 0                           | -                                                                          | DPCH <sub>2</sub>               | 4     | -83,1                                            |
|                   |                |                             |                                                                            | DPCH <sub>1</sub>               | 16    | -92,9                                            |
|                   | $10^{-2}$      | 0                           | -                                                                          | DPCH <sub>2</sub>               | 2     | -83,9                                            |
|                   |                |                             |                                                                            | DPCH <sub>1</sub>               | 16    | -89,1                                            |
| 4                 | $10^{-1}$      | 0                           | -                                                                          | DPCH <sub>1</sub>               | 2     | -83,5                                            |
|                   | $10^{-2}$      | 0                           | -                                                                          | DPCH <sub>1</sub>               | 2     | -80,3                                            |

## 8.3.1.4.2.2 1,28 Mcps TDD option

- (1) Adjust the power of the band-limited white noise source in such a way that its power spectral density measured at the BS antenna connector takes on the value  $I_{oc}$  as specified in table 8.5A.
- (2) For a given test defined by the information data rate and the BLER objective, set the power of each DPCH<sub>0</sub> measured at the BS antenna connector during the active time slots to the value specified in table 8.7A.
- (3) Set up a call between the BS tester generating the wanted signal and the BS. The characteristics of the call shall be configured according to the information data rate to be provided and the corresponding UL reference

measurement channel defined in Annex A. Depending on the information data rate, the UL reference measurement channel makes use of one or two Dedicated Physical Channels (DPCH<sub>1</sub> and DPCH<sub>2</sub>) with different spreading factors SF. The power(s) of DPCH<sub>1</sub> and DPCH<sub>2</sub> (if applicable) measured at the BS antenna connector during the active time slots shall be set to the value(s) given in table 8.7A.

(4) Measure the BLER of the wanted signal at the BS receiver.

**Table 8.7A: Parameters of DPCH<sub>0</sub> and the wanted signal for 1,28 Mcps TDD**

| Test Number | BLER objective   | Number of DPCH <sub>0</sub> | Power of each DPCH <sub>0</sub> measured at the BS antenna connector [dBm] | Parameters of the wanted signal |    |                                                  |
|-------------|------------------|-----------------------------|----------------------------------------------------------------------------|---------------------------------|----|--------------------------------------------------|
|             |                  |                             |                                                                            | DPCH                            | SF | Power measured at the BS antenna connector [dBm] |
| 1           | 10 <sup>-2</sup> | 4                           | -87.6                                                                      | DPCH <sub>1</sub>               | 8  | -87.6                                            |
| 2           | 10 <sup>-1</sup> | 1                           | -92.7                                                                      | DPCH <sub>1</sub>               | 2  | -86.7                                            |
|             | 10 <sup>-2</sup> | 1                           | -88.6                                                                      | DPCH <sub>1</sub>               | 2  | -82.6                                            |
| 3           | 10 <sup>-1</sup> | 1                           | -92.3                                                                      | DPCH <sub>1</sub>               | 2  | -86.3                                            |
|             | 10 <sup>-2</sup> | 1                           | -87.9                                                                      | DPCH <sub>1</sub>               | 2  | -81.9                                            |
| 4           | 10 <sup>-1</sup> | 0                           | -                                                                          | DPCH <sub>1</sub>               | 8  | -92.0                                            |
|             |                  |                             |                                                                            | DPCH <sub>2</sub>               | 2  | -86.0                                            |
|             | 10 <sup>-2</sup> | 0                           | -                                                                          | DPCH <sub>1</sub>               | 8  | -88.0                                            |
|             |                  |                             |                                                                            | DPCH <sub>2</sub>               | 2  | -82.0                                            |

### 8.3.1.5 Test Requirements

NOTE: If the Test Requirements below differ from the Minimum Requirements, then the Test Tolerance applied for this test is non-zero. The Test Tolerance for this test is defined in subclause 5.1.1 and the explanation of how the Minimum Requirement has been relaxed by the Test Tolerance is given in Annex D.

#### 8.3.1.5.1 3,84 Mcps TDD option

The BLER measured according to subclause 8.3.1.4.2 shall not exceed the limits specified in table 8.6.

#### 8.3.1.5.2 1,28 Mcps TDD option

The BLER measured according to subclause 8.3.1.4.2 shall not exceed the limits specified in table 8.6A.

## 8.3.2 Multipath fading Case 2

### 8.3.2.1 Definition and applicability

The performance requirement of DCH in multipath fading Case 2 is determined by the maximum Block Error Ratio (BLER) allowed when the receiver input signal is at a specified  $\hat{I}_{or}/I_{oc}$  limit. The BLER is calculated for each of the measurement channels supported by the base station.

The requirements in this subclause shall apply to base stations intended for general-purpose applications.

### 8.3.2.2 Minimum Requirements

#### 8.3.2.2.1 3,84 Mcps TDD option

For the parameters specified in table 8.8, the BLER should not exceed the piece-wise linear BLER curve specified in table 8.8. These requirements are applicable for TFCS size 16.

**Table 8.8: Parameters in multipath Case 2 channel**

| Parameters                    | Unit         | Test 1 | Test 2 | Test 3 | Test 4 |
|-------------------------------|--------------|--------|--------|--------|--------|
| Number of DPCH <sub>o</sub>   |              | 2      | 0      | 0      | 0      |
| $\frac{DPCH_o - E_c}{I_{or}}$ | DB           | -6     | -      | -      | -      |
| $I_{oc}$                      | dBm/3,84 MHz | -89    |        |        |        |
| Information Data Rate         | Kbps         | 12,2   | 64     | 144    | 384    |

**Table 8.9: Performance requirements in multipath Case 2 channel.**

| Test Number | $\frac{\hat{I}_{or}}{I_{oc}}$ [dB] | BLER      |
|-------------|------------------------------------|-----------|
| 1           | 0,1                                | $10^{-2}$ |
| 2           | 0,4                                | $10^{-1}$ |
|             | 2,8                                | $10^{-2}$ |
| 3           | 3,6                                | $10^{-1}$ |
|             | 6,0                                | $10^{-2}$ |
| 4           | 3,0                                | $10^{-1}$ |
|             | 5,4                                | $10^{-2}$ |

The normative reference for this requirement is TS 25.105 [1] subclause 8.3.2.1.1.

### 8.3.2.2.2 1,28 Mcps option

For the parameters specified in table 8.8A, the BLER should not exceed the piece-wise linear BLER curve specified in table 8.9A. These requirements are applicable for TFCS size 16.

**Table 8.8A: Parameters in multipath Case 2 channel for 1,28 Mcps TDD**

| Parameters                         | Unit         | Test 1 | Test 2 | Test 3 | Test 4 |
|------------------------------------|--------------|--------|--------|--------|--------|
| Number of DPCH <sub>o</sub>        |              | 4      | 1      | 1      | 0      |
| Spread factor of DPCH <sub>o</sub> |              | 8      | 8      | 8      |        |
| $\frac{DPCH_o - E_c}{I_{or}}$      | dB           | -7     | -7     | -7     | -      |
| $I_{oc}$                           | dBm/1,28 MHz | -91    |        |        |        |
| Information Data Rate              | kbps         | 12,2   | 64     | 144    | 384    |

**Table 8.9A: Performance requirements multipath Case 2 channel for 1,28 Mcps TDD.**

| Test Number | $\frac{\hat{I}_{or}}{I_{oc}}$ [dB] | BLER      |
|-------------|------------------------------------|-----------|
| 1           | 6.7                                | $10^{-2}$ |
| 2           | 3.6                                | $10^{-1}$ |
|             | 5.9                                | $10^{-2}$ |
| 3           | 4.2                                | $10^{-1}$ |
|             | 6.3                                | $10^{-2}$ |
| 4           | 4.6                                | $10^{-1}$ |
|             | 6.0                                | $10^{-2}$ |

The normative reference for this requirement is TS 25.105 [1] subclause 8.3.2.1.2.

### 8.3.2.3 Test purpose

The test purpose is to verify the ability of the BS to receive a prescribed test signal under defined propagation conditions (multipath fading Case 2) with a BLER not exceeding a specified limit. Within the wanted channel, independent intracell interference sources as well as an additional intercell interference source are taken into account.

Therefore, this test – as all other tests in clause 8 - mainly checks the ability of the signal processing part of the receiver to extract the wanted signal from the distorted and interfered-with input signal, whereas the tests in clause 7 concentrate on the receiver RF part.

### 8.3.2.4 Method of test

#### 8.3.2.4.1 Initial conditions

##### 8.3.2.4.1.0 General test conditions

Test environment: normal; see subclause 5.9.1.

RF channels to be tested: B, M and T; see subclause 5.3.

##### 8.3.2.4.1.1 3,84 Mcps TDD option

- (1) Connect the BS tester (UE simulator) generating the wanted signal and a set of interference generators to both BS antenna connectors for diversity reception via a combining network. The set of interference generators comprises a number of CDMA generators, each representing an individual intracell interferer (subsequently called DPCH<sub>0</sub> generators), and an additional band-limited white noise source, simulating interference from other cells. Each DPCH<sub>0</sub> generator shall produce an interfering signal that is equivalent to a valid UTRA TDD signal with spreading factor 16, using the same time slot(s) than the wanted signal and applying the same cell-specific scrambling code. The number of the DPCH<sub>0</sub> generators used in each test is given in table 8.8.
- (2) The wanted signal produced by the BS tester and the interfering signals produced by the DPCH<sub>0</sub> generators are individually passed through independent Multipath Fading Simulators (MFS) before entering the combining network. Each MFS shall be configured to simulate multipath fading Case 2.

##### 8.3.2.4.1.2 1,28 Mcps TDD option

- (1) Connect the BS tester (UE simulator) generating the wanted signal and a set of interference generators to both BS antenna connectors for diversity reception via a combining network. The set of interference generators comprises a number of CDMA generators, each representing an individual intracell interferer (subsequently called DPCH<sub>0</sub> generators), and an additional band-limited white noise source, simulating interference from other cells. Each DPCH<sub>0</sub> generator shall produce an interfering signal that is equivalent to a valid UTRA TDD signal with spreading factor 8, using the same time slot(s) than the wanted signal and applying the same cell-specific scrambling code. The number of the DPCH<sub>0</sub> generators used in each test is given in table 8.8A.
- (2) The wanted signal produced by the BS tester and the interfering signals produced by the DPCH<sub>0</sub> generators are individually passed through independent Multipath Fading Simulators (MFS) before entering the combining network. Each MFS shall be configured to simulate multipath fading Case 2.

#### 8.3.2.4.2 Procedure

##### 8.3.2.4.2.1 3,84 Mcps TDD option

- (1) Adjust the power of the band-limited white noise source in such a way that its power spectral density measured at the BS antenna connector takes on the value  $I_{oc}$  as specified in table 8.8.
- (2) For a given test defined by the information data rate and the BLER objective, set the power of each DPCH<sub>0</sub> measured at the BS antenna connector during the active time slots to the value specified in table 8.101.
- (3) Set up a call between the BS tester generating the wanted signal and the BS. The characteristics of the call shall be configured according to the information data rate to be provided and the corresponding UL reference measurement channel defined in Annex A. Depending on the information data rate, the UL reference measurement channel makes use of one or two Dedicated Physical Channels (DPCH<sub>1</sub> and DPCH<sub>2</sub>) with different spreading factors SF. The power(s) of DPCH<sub>1</sub> and DPCH<sub>2</sub> (if applicable) measured at the BS antenna connector during the active time slots shall be set to the value(s) given in table 8.10.
- (4) Measure the BLER of the wanted signal at the BS receiver.



**Table 8.10: Parameters of DPCH<sub>0</sub> and the wanted signal**

| Test Number | BLER objective   | Number of DPCH <sub>0</sub> | Power of each DPCH <sub>0</sub> measured at the BS antenna connector [dBm] | Parameters of the wanted signal |    |                                                  |
|-------------|------------------|-----------------------------|----------------------------------------------------------------------------|---------------------------------|----|--------------------------------------------------|
|             |                  |                             |                                                                            | DPCH                            | SF | Power measured at the BS antenna connector [dBm] |
| 1           | 10 <sup>-2</sup> | 2                           | -94,9                                                                      | DPCH <sub>1</sub>               | 8  | -91,9                                            |
| 2           | 10 <sup>-1</sup> | 0                           | -                                                                          | DPCH <sub>1</sub>               | 16 | -95,6                                            |
|             |                  |                             |                                                                            | DPCH <sub>2</sub>               | 4  | -89,6                                            |
|             | 10 <sup>-2</sup> | 0                           | -                                                                          | DPCH <sub>1</sub>               | 16 | -93,2                                            |
|             |                  |                             |                                                                            | DPCH <sub>2</sub>               | 4  | -87,2                                            |
| 3           | 10 <sup>-1</sup> | 0                           | -                                                                          | DPCH <sub>1</sub>               | 16 | -94,9                                            |
|             |                  |                             |                                                                            | DPCH <sub>2</sub>               | 2  | -85,9                                            |
|             | 10 <sup>-2</sup> | 0                           | -                                                                          | DPCH <sub>1</sub>               | 16 | -92,5                                            |
|             |                  |                             |                                                                            | DPCH <sub>2</sub>               | 2  | -83,5                                            |
| 4           | 10 <sup>-1</sup> | 0                           | -                                                                          | DPCH <sub>1</sub>               | 2  | -86                                              |
|             | 10 <sup>-2</sup> | 0                           | -                                                                          | DPCH <sub>1</sub>               | 2  | -83,6                                            |

#### 8.3.2.4.2.2 1,28 Mcps TDD option

- (1) Adjust the power of the band-limited white noise source in such a way that its power spectral density measured at the BS antenna connector takes on the value  $I_{oc}$  as specified in table 8.8A.
- (2) For a given test defined by the information data rate and the BLER objective, set the power of each DPCH<sub>0</sub> measured at the BS antenna connector during the active time slots to the value specified in table 8.10A.
- (3) Set up a call between the BS tester generating the wanted signal and the BS. The characteristics of the call shall be configured according to the information data rate to be provided and the corresponding UL reference measurement channel defined in Annex A. Depending on the information data rate, the UL reference measurement channel makes use of one or two Dedicated Physical Channels (DPCH<sub>1</sub> and DPCH<sub>2</sub>) with different spreading factors SF. The power(s) of DPCH<sub>1</sub> and DPCH<sub>2</sub> (if applicable) measured at the BS antenna connector during the active time slots shall be set to the value(s) given in table 8.10A.
- (4) Measure the BLER of the wanted signal at the BS receiver.

**Table 8.10A: Parameters of DPCH<sub>0</sub> and the wanted signal for 1,28 Mcps TDD**

| Test Number | BLER objective   | Number of DPCH <sub>0</sub> | Power of each DPCH <sub>0</sub> measured at the BS antenna connector [dBm] | Parameters of the wanted signal |    |                                                  |
|-------------|------------------|-----------------------------|----------------------------------------------------------------------------|---------------------------------|----|--------------------------------------------------|
|             |                  |                             |                                                                            | DPCH                            | SF | Power measured at the BS antenna connector [dBm] |
| 1           | 10 <sup>-2</sup> | 4                           | -91.3                                                                      | DPCH <sub>1</sub>               | 8  | -91.3                                            |
| 2           | 10 <sup>-1</sup> | 1                           | -94.4                                                                      | DPCH <sub>1</sub>               | 2  | -88.4                                            |
|             | 10 <sup>-2</sup> | 1                           | -92.1                                                                      | DPCH <sub>1</sub>               | 2  | -86.1                                            |
| 3           | 10 <sup>-1</sup> | 1                           | -93.8                                                                      | DPCH <sub>1</sub>               | 2  | -87.8                                            |
|             | 10 <sup>-2</sup> | 1                           | -91.7                                                                      | DPCH <sub>1</sub>               | 2  | -85.7                                            |
| 4           | 10 <sup>-1</sup> | 0                           | -                                                                          | DPCH <sub>1</sub>               | 8  | -93.4                                            |
|             |                  |                             |                                                                            | DPCH <sub>2</sub>               | 2  | -87.4                                            |
|             | 10 <sup>-2</sup> | 0                           | -                                                                          | DPCH <sub>1</sub>               | 8  | -92.0                                            |
|             |                  |                             |                                                                            | DPCH <sub>2</sub>               | 2  | -86.0                                            |

#### 8.3.2.5 Test Requirements

NOTE: If the Test Requirements below differ from the Minimum Requirements, then the Test Tolerance applied for this test is non-zero. The Test Tolerance for this test is defined in subclause 5.11 and the explanation of how the Minimum Requirement has been relaxed by the Test Tolerance is given in Annex D.

##### 8.3.2.5.1 3,84 Mcps TDD option

The BLER measured according to subclause 8.3.2.4.2 shall not exceed the limits specified in table 8.9.

### 8.3.2.5.2 1,28 Mcps TDD option

The BLER measured according to subclause 8.3.2.4.2 shall not exceed the limits specified in table 8.9A

## 8.3.3 Multipath fading Case 3

### 8.3.3.1 Definition and applicability

The performance requirement of DCH in multipath fading Case 3 is determined by the maximum Block Error Ratio (BLER) allowed when the receiver input signal is at a specified  $\hat{I}_{or}/I_{oc}$  limit. The BLER is calculated for each of the measurement channels supported by the base station.

The requirements in this subclause shall apply to base stations intended for general-purpose applications.

### 8.3.3.2 Minimum Requirements

#### 8.3.3.2.1 3,84 Mcps TDD option

For the parameters specified in table 8.11, the BLER should not exceed the piece-wise linear BLER curve specified in Table 8.12. These requirements are applicable for TFCS size 16.

**Table 8.11: Parameters in multipath Case 3 channel**

| Parameters                    | Unit         | Test 1 | Test 2 | Test 3 | Test 4 |
|-------------------------------|--------------|--------|--------|--------|--------|
| Number of DPCH <sub>o</sub>   |              | 2      | 0      | 0      | 0      |
| $\frac{DPCH_o - E_c}{I_{or}}$ | dB           | -6     | -      | -      | -      |
| $I_{oc}$                      | dBm/3,84 MHz | -89    |        |        |        |
| Information Data Rate         | Kbps         | 12,2   | 64     | 144    | 384    |

**Table 8.12: Performance requirements in multipath Case 3 channel.**

| Test Number | $\frac{\hat{I}_{or}}{I_{oc}}$ [dB] | BLER      |
|-------------|------------------------------------|-----------|
| 1           | -0,6                               | $10^{-2}$ |
| 2           | 0,7                                | $10^{-1}$ |
|             | 2,4                                | $10^{-2}$ |
| 3           | 3,8                                | $10^{-3}$ |
|             | 3,9                                | $10^{-1}$ |
|             | 5,9                                | $10^{-2}$ |
| 4           | 7,3                                | $10^{-3}$ |
|             | 2,8                                | $10^{-1}$ |
|             | 4,2                                | $10^{-2}$ |
|             | 4,8                                | $10^{-3}$ |

The normative reference for this requirement is TS 25.105 [1] subclause 8.3.3.1.1.

#### 8.3.3.2.2 1,28 Mcps TDD option

For the parameters specified in table 8.11A, the BLER should not exceed the piece-wise linear BLER curve specified in Table 8.12A. These requirements are applicable for TFCS size 16.

**Table 8.11A: Parameters in multipath Case 3 channel (1,28 Mcps option)**

| Parameters                         | Unit         | Test 1 | Test 2 | Test 3 | Test 4 |
|------------------------------------|--------------|--------|--------|--------|--------|
| Number of DPCH <sub>o</sub>        |              | 4      | 1      | 1      | 0      |
| Spread factor of DPCH <sub>o</sub> |              | 8      | 8      | 8      |        |
| $\frac{DPCH_o - E_c}{I_{or}}$      | dB           | -7     | -7     | -7     | -      |
| $I_{oc}$                           | dBm/1,28 MHz | -91    |        |        |        |
| Information Data Rate              | kbps         | 12,2   | 64     | 144    | 384    |

**Table 8.12A: Performance requirements multipath Case 3 channel (1,28 Mcps option).**

| Test Number | $\frac{\hat{I}_{or}}{I_{oc}}$ [dB] | BLER      |
|-------------|------------------------------------|-----------|
| 1           | 5.6                                | $10^{-2}$ |
| 2           | 3.2                                | $10^{-1}$ |
|             | 4.6                                | $10^{-2}$ |
|             | 5.9                                | $10^{-3}$ |
| 3           | 3.7                                | $10^{-1}$ |
|             | 4.8                                | $10^{-2}$ |
|             | 5.9                                | $10^{-3}$ |
| 4           | 4.2                                | $10^{-1}$ |
|             | 5.1                                | $10^{-2}$ |
|             | 5.9                                | $10^{-3}$ |

The normative reference for this requirement is TS 25.105 [1] subclause 8.3.3.1.2

### 8.3.3.3 Test purpose

The test purpose is to verify the ability of the BS to receive a prescribed test signal under defined propagation conditions (multipath fading Case 3) with a BLER not exceeding a specified limit. Within the wanted channel, independent intracell interference sources as well as an additional intercell interference source are taken into account. Therefore, this test – as all other tests in clause 8 - mainly checks the ability of the signal processing part of the receiver to extract the wanted signal from the distorted and interfered-with input signal, whereas the tests in clause 7 concentrate on the receiver RF part.

### 8.3.3.4 Method of test

#### 8.3.3.4.1 Initial conditions

##### 8.3.3.4.1.0 General test conditions

Test environment: normal; see subclause 5.9.1.

RF channels to be tested: B, M and T; see subclause 5.3.

##### 8.3.3.4.1.1 3,84 Mcps TDD option

- (1) Connect the BS tester (UE simulator) generating the wanted signal and a set of interference generators to both BS antenna connectors for diversity reception via a combining network. The set of interference generators comprises a number of CDMA generators, each representing an individual intracell interferer (subsequently called DPCH<sub>o</sub> generators), and an additional band-limited white noise source, simulating interference from other cells. Each DPCH<sub>o</sub> generator shall produce an interfering signal that is equivalent to a valid UTRA TDD signal with spreading factor 16, using the same time slot(s) than the wanted signal and applying the same cell-specific scrambling code. The number of the DPCH<sub>o</sub> generators used in each test is given in table 8.11.
- (2) The wanted signal produced by the BS tester and the interfering signals produced by the DPCH<sub>o</sub> generators are individually passed through independent Multipath Fading Simulators (MFS) before entering the combining network. Each MFS shall be configured to simulate multipath fading Case 3.

## 8.3.3.4.1.2 1,28 Mcps TDD option

- (1) Connect the BS tester (UE simulator) generating the wanted signal and a set of interference generators to both BS antenna connectors for diversity reception via a combining network. The set of interference generators comprises a number of CDMA generators, each representing an individual intracell interferer (subsequently called DPCH<sub>0</sub> generators), and an additional band-limited white noise source, simulating interference from other cells. Each DPCH<sub>0</sub> generator shall produce an interfering signal that is equivalent to a valid UTRA TDD signal with spreading factor 8, using the same time slot(s) than the wanted signal and applying the same cell-specific scrambling code. The number of the DPCH<sub>0</sub> generators used in each test is given in table 8.11A.
- (2) The wanted signal produced by the BS tester and the interfering signals produced by the DPCH<sub>0</sub> generators are individually passed through independent Multipath Fading Simulators (MFS) before entering the combining network. Each MFS shall be configured to simulate multipath fading Case 3.

## 8.3.3.4.2 Procedure

## 8.3.3.4.2.1 3,84 Mcps TDD option

- (1) Adjust the power of the band-limited white noise source in such a way that its power spectral density measured at the BS antenna connector takes on the value  $I_{oc}$  as specified in table 8.11.
- (2) For a given test defined by the information data rate and the BLER objective, set the power of each DPCH<sub>0</sub> measured at the BS antenna connector during the active time slots to the value specified in table 8.13.
- (3) Set up a call between the BS tester generating the wanted signal and the BS. The characteristics of the call shall be configured according to the information data rate to be provided and the corresponding UL reference measurement channel defined in Annex A. Depending on the information data rate, the UL reference measurement channel makes use of one or two Dedicated Physical Channels (DPCH<sub>1</sub> and DPCH<sub>2</sub>) with different spreading factors SF. The power(s) of DPCH<sub>1</sub> and DPCH<sub>2</sub> (if applicable) measured at the BS antenna connector during the active time slots shall be set to the value(s) given in table 8.131.
- (4) Measure the BLER of the wanted signal at the BS receiver.

Table 8.13: Parameters of DPCH<sub>0</sub> and the wanted signal

| Test Number       | BLER objective | Number of DPCH <sub>0</sub> | Power of each DPCH <sub>0</sub> measured at the BS antenna connector [dBm] | Parameters of the wanted signal |       |                                                  |
|-------------------|----------------|-----------------------------|----------------------------------------------------------------------------|---------------------------------|-------|--------------------------------------------------|
|                   |                |                             |                                                                            | DPCH                            | SF    | Power measured at the BS antenna connector [dBm] |
| 1                 | $10^{-2}$      | 2                           | -95,6                                                                      | DPCH <sub>1</sub>               | 8     | -92,6                                            |
| 2                 | $10^{-1}$      | 0                           | -                                                                          | DPCH <sub>1</sub>               | 16    | -95,3                                            |
|                   |                |                             |                                                                            | DPCH <sub>2</sub>               | 4     | -89,3                                            |
|                   | $10^{-2}$      | 0                           | -                                                                          | DPCH <sub>1</sub>               | 16    | -93,6                                            |
|                   |                |                             |                                                                            | DPCH <sub>2</sub>               | 4     | -87,6                                            |
| $10^{-3}$         | 0              | -                           | DPCH <sub>1</sub>                                                          | 16                              | -92,2 |                                                  |
|                   |                |                             | DPCH <sub>2</sub>                                                          | 4                               | -86,2 |                                                  |
| 3                 | $10^{-1}$      | 0                           | -                                                                          | DPCH <sub>1</sub>               | 16    | -94,6                                            |
|                   |                |                             |                                                                            | DPCH <sub>2</sub>               | 2     | -85,6                                            |
|                   | $10^{-2}$      | 0                           | -                                                                          | DPCH <sub>1</sub>               | 16    | -92,6                                            |
| DPCH <sub>2</sub> |                |                             |                                                                            | 2                               | -83,6 |                                                  |
|                   | $10^{-3}$      | 0                           | -                                                                          | DPCH <sub>1</sub>               | 16    | -91,2                                            |
|                   |                |                             |                                                                            | DPCH <sub>2</sub>               | 2     | -82,2                                            |
| 4                 | $10^{-1}$      | 0                           | -                                                                          | DPCH <sub>1</sub>               | 2     | -86,2                                            |
|                   | $10^{-2}$      | 0                           | -                                                                          | DPCH <sub>1</sub>               | 2     | -84,8                                            |
|                   | $10^{-3}$      | 0                           | -                                                                          | DPCH <sub>1</sub>               | 2     | -84,2                                            |

## 8.3.3.4.2.2 1,28 Mcps TDD option

- (1) Adjust the power of the band-limited white noise source in such a way that its power spectral density measured at the BS antenna connector takes on the value  $I_{oc}$  as specified in table 8.11A.

- (2) For a given test defined by the information data rate and the BLER objective, set the power of each DPCH<sub>0</sub> measured at the BS antenna connector during the active time slots to the value specified in table 8.13A.
- (3) Set up a call between the BS tester generating the wanted signal and the BS. The characteristics of the call shall be configured according to the information data rate to be provided and the corresponding UL reference measurement channel defined in Annex A. Depending on the information data rate, the UL reference measurement channel makes use of one or two Dedicated Physical Channels (DPCH<sub>1</sub> and DPCH<sub>2</sub>) with different spreading factors SF. The power(s) of DPCH<sub>1</sub> and DPCH<sub>2</sub> (if applicable) measured at the BS antenna connector during the active time slots shall be set to the value(s) given in table 8.13A.
- (4) Measure the BLER of the wanted signal at the BS receiver.

**Table 8.13A: Parameters of DPCH<sub>0</sub> and the wanted signal for 1,28 Mcps TDD**

| Test Number      | BLER objective   | Number of DPCH <sub>0</sub> | Power of each DPCH <sub>0</sub> measured at the BS antenna connector [dBm] | Parameters of the wanted signal |       |                                                  |
|------------------|------------------|-----------------------------|----------------------------------------------------------------------------|---------------------------------|-------|--------------------------------------------------|
|                  |                  |                             |                                                                            | DPCH                            | SF    | Power measured at the BS antenna connector [dBm] |
| 1                | 10 <sup>-2</sup> | 4                           | -92.4                                                                      | DPCH <sub>1</sub>               | 8     | -92.4                                            |
| 2                | 10 <sup>-1</sup> | 1                           | -94.8                                                                      | DPCH <sub>1</sub>               | 2     | -88.8                                            |
|                  | 10 <sup>-2</sup> | 1                           | -93.4                                                                      | DPCH <sub>1</sub>               | 2     | -87.4                                            |
|                  | 10 <sup>-3</sup> | 1                           | -92.1                                                                      | DPCH <sub>1</sub>               | 2     | -86.1                                            |
| 3                | 10 <sup>-1</sup> | 1                           | -94.3                                                                      | DPCH <sub>1</sub>               | 2     | -88.3                                            |
|                  | 10 <sup>-2</sup> | 1                           | -93.2                                                                      | DPCH <sub>1</sub>               | 2     | -87.2                                            |
|                  | 10 <sup>-3</sup> | 1                           | -92.1                                                                      | DPCH <sub>1</sub>               | 2     | -86.1                                            |
| 4                | 10 <sup>-1</sup> | 0                           | -                                                                          | DPCH <sub>1</sub>               | 8     | -93.8                                            |
|                  |                  |                             |                                                                            | DPCH <sub>2</sub>               | 2     | -87.8                                            |
|                  | 10 <sup>-2</sup> | 0                           | -                                                                          | DPCH <sub>1</sub>               | 8     | -92.9                                            |
|                  |                  |                             |                                                                            | DPCH <sub>2</sub>               | 2     | -86.9                                            |
|                  |                  |                             |                                                                            | DPCH <sub>1</sub>               | 8     | -92.1                                            |
| 10 <sup>-3</sup> | 0                | -                           | DPCH <sub>2</sub>                                                          | 2                               | -86.1 |                                                  |

### 8.3.3.5 Test Requirements

NOTE: If the Test Requirements below differ from the Minimum Requirements, then the Test Tolerance applied for this test is non-zero. The Test Tolerance for this test is defined in subclause 5.11 and the explanation of how the Minimum Requirement has been relaxed by the Test Tolerance is given in Annex D.

#### 8.3.3.5.1 3,84 Mcps TDD option

The BLER measured according to subclause 8.3.3.4.2 shall not exceed the limits specified in table 8.12.

#### 8.3.3.5.2 1,28 Mcps TDD option

The BLER measured according to subclause 8.3.3.4.2 shall not exceed the limits specified in table 8.12A.

---

## Annex A (normative): Measurement Channels

### A.1 General

### A.2 Reference measurement channel

#### A.2.1 UL reference measurement channel (12.2 kbps)

##### A.2.1.1 3,84 Mcps TDD option

Table A.1

| Parameter                                      | Value            |
|------------------------------------------------|------------------|
| Information data rate                          | 12.2 kbps        |
| RU's allocated                                 | 2 RU             |
| Midamble                                       | <b>512</b> chips |
| Interleaving                                   | 20 ms            |
| Power control                                  | 2 Bit/user       |
| TFCI                                           | 16 Bit/user      |
| Inband signalling DCCH                         | 2 kbps           |
| Puncturing level at Code rate 1/3 : DCH / DCCH | 10% / 0%         |

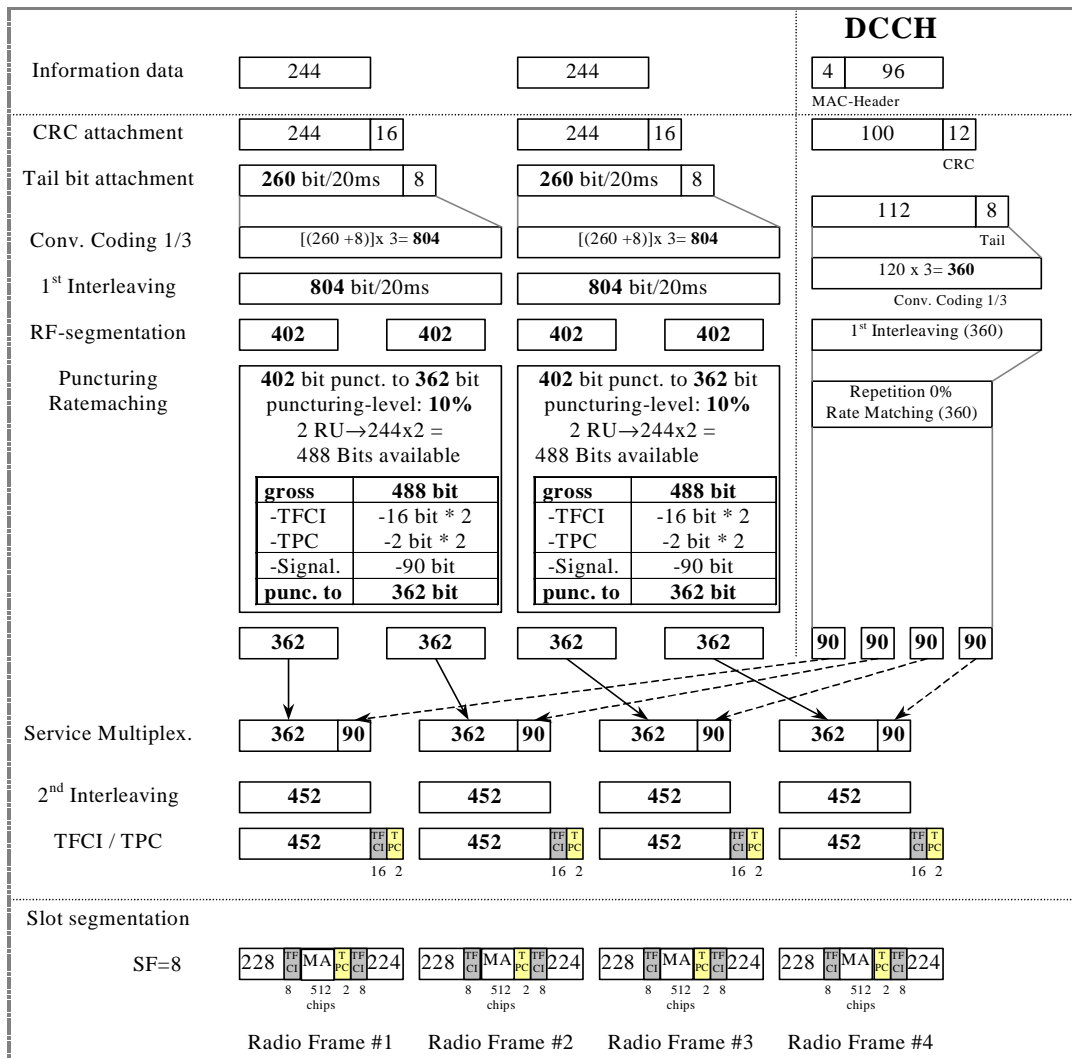


Figure A.1

A.2.1.2 1,28 Mcps option

Table A.1A

| Parameter                                      | Value                 |
|------------------------------------------------|-----------------------|
| Information data rate                          | 12.2 kbps             |
| RU's allocated                                 | 1TS (1*SF8) = 2RU/5ms |
| Midamble                                       | 144                   |
| Interleaving                                   | 20 ms                 |
| Power control                                  | 4 Bit/user/10ms       |
| TFCI                                           | 16 Bit/user/10ms      |
| Synchronisation Shift (SS)                     | 4 Bit/user/10ms       |
| Inband signalling DCCH                         | 2.4 kbps              |
| Puncturing level at Code rate 1/3 : DCH / DCCH | 33% / 33%             |

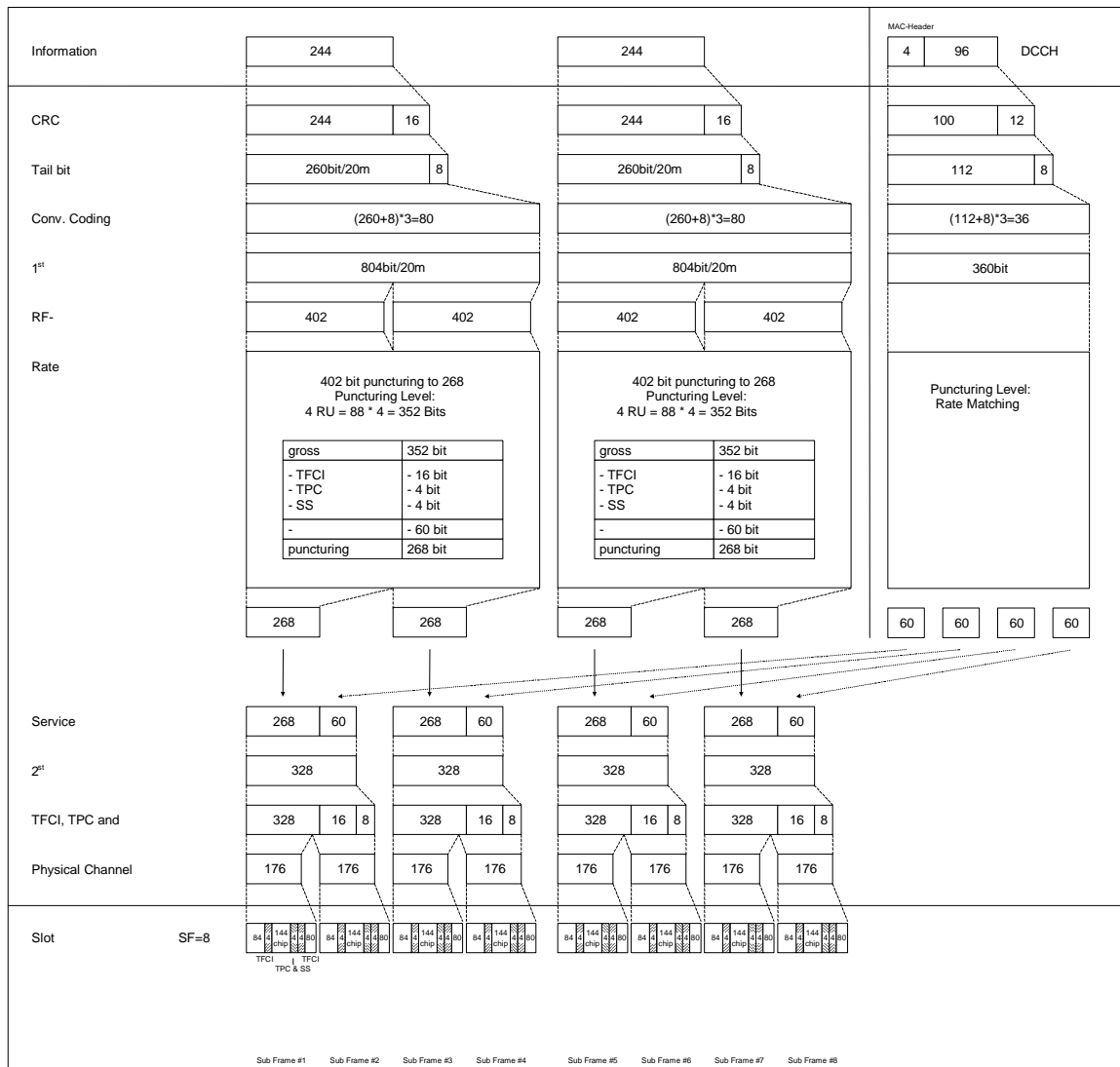


Figure A.1A



## A.2.2 UL reference measurement channel (64 kbps)

### A.2.2.1 3,84 Mcps TDD option

Table A.2

| Parameter                                          | Value                |
|----------------------------------------------------|----------------------|
| Information data rate                              | 64 kbps              |
| RU's allocated                                     | 1 SF4 + 1 SF16 = 5RU |
| Midamble                                           | 512 chips            |
| Interleaving                                       | 20 ms                |
| Power control                                      | 2 Bit/user           |
| TFCI                                               | 16 Bit/user          |
| Inband signalling DCCH                             | 2 kbps               |
| Puncturing level at Code rate : 1/3 DCH / 1/2 DCCH | 41.2% / 10%          |

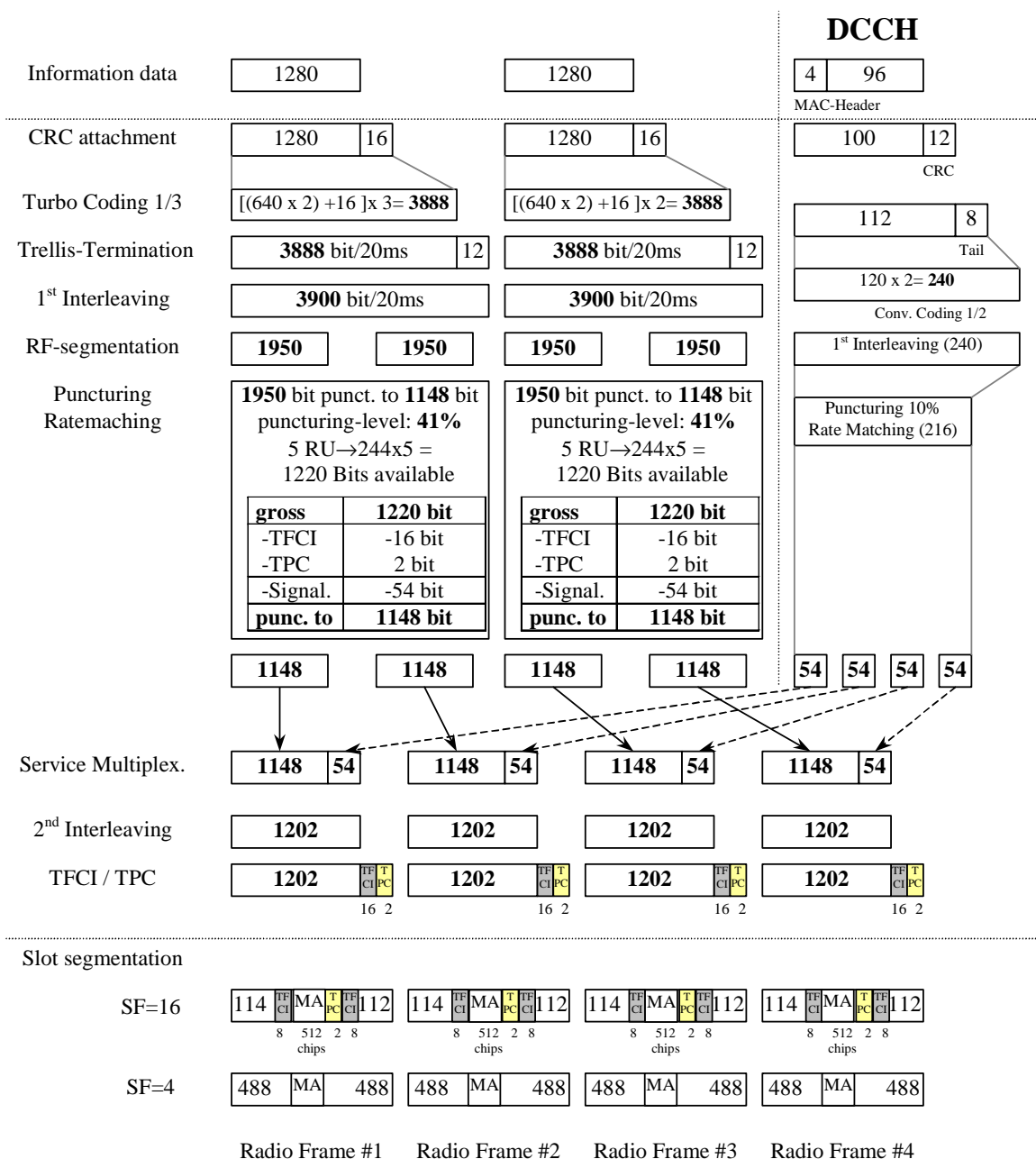


Figure A.2

A.2.2.2 1,28 Mcps TDD option

Table A.2A

| Parameter                                         | Value                 |
|---------------------------------------------------|-----------------------|
| Information data rate                             | 64 kbps               |
| RU's allocated                                    | 1TS (1*SF2) = 8RU/5ms |
| Midamble                                          | 144                   |
| Interleaving                                      | 20 ms                 |
| Power control (TPC)                               | 4 Bit/user/10ms       |
| TFCI                                              | 16 Bit/user/10ms      |
| Synchronisation Shift (SS)                        | 4 Bit/user/10ms       |
| Inband signalling DCCH                            | 2.4 kbps              |
| Puncturing level at Code rate: 1/3 DCH / 1/2 DCCH | 32% / 0               |

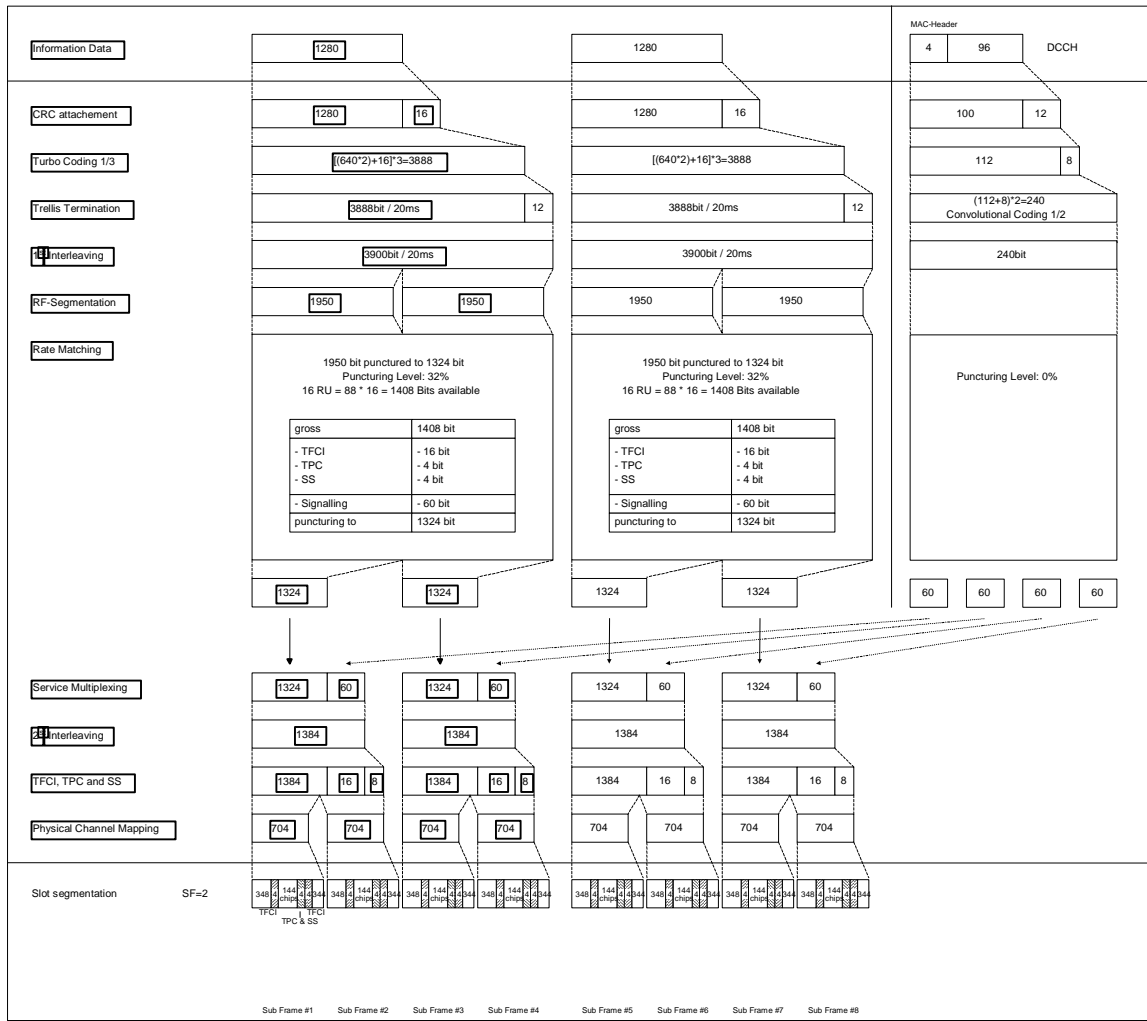


Figure A.2A

## A.2.3 UL reference measurement channel (144 kbps)

### A.2.3.1 3,84 Mcps TDD option

Table A.3

| Parameter                                          | Value                |
|----------------------------------------------------|----------------------|
| Information data rate                              | 144 kbps             |
| RU's allocated                                     | 1 SF2 + 1 SF16 = 9RU |
| Midamble                                           | 256 chips            |
| Interleaving                                       | 20 ms                |
| Power control                                      | 2 Bit/user           |
| TFCI                                               | 16 Bit/user          |
| Inband signalling DCCH                             | 2 kbps               |
| Puncturing level at Code rate : 1/3 DCH / 1/2 DCCH | 44.4% / 16.6%        |

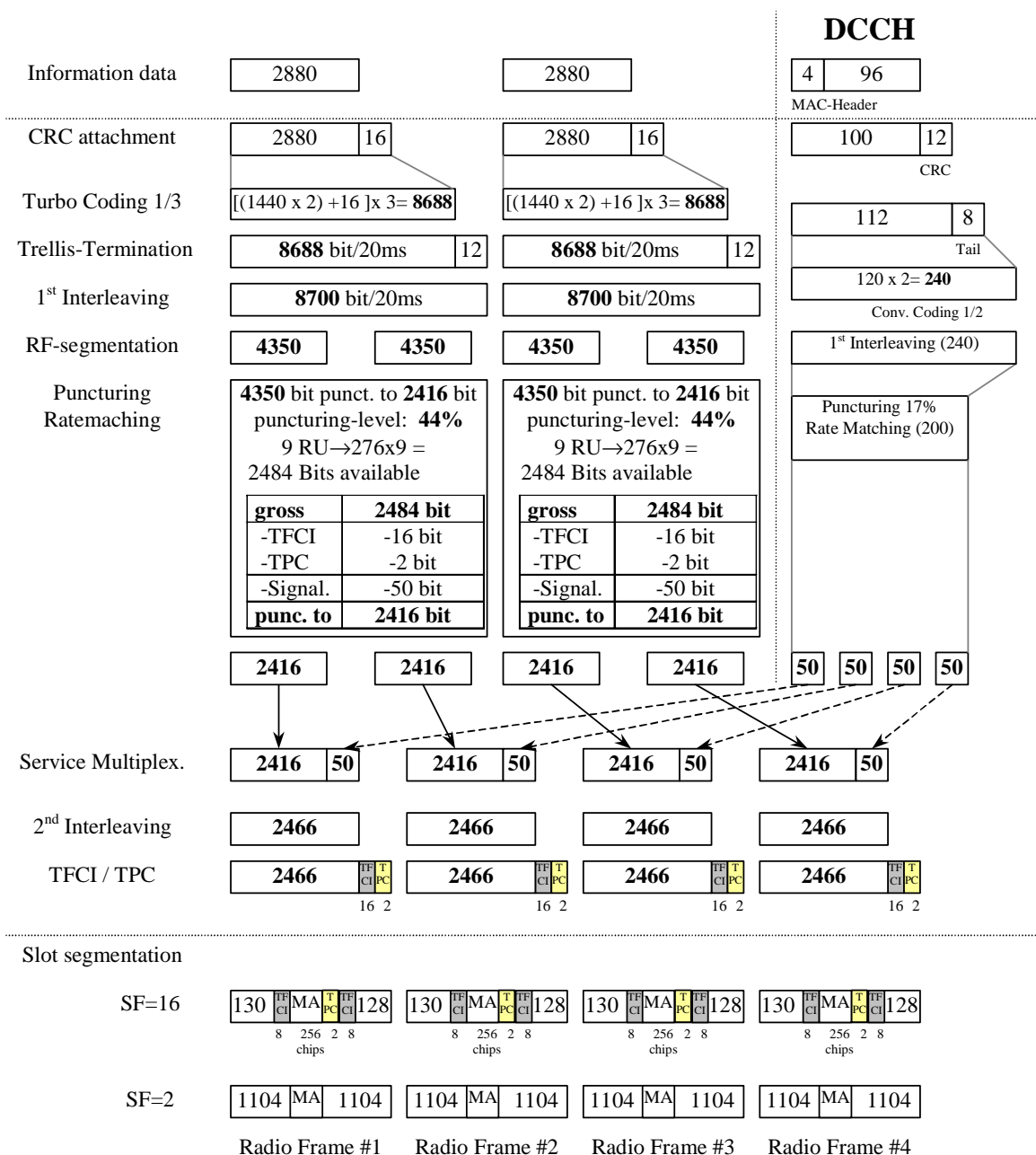


Figure A.3

### A.2.3.2 1,28 Mcps TDD option

Table A.3A

| Parameter                                         | Value                  |
|---------------------------------------------------|------------------------|
| Information data rate                             | 144 kbps               |
| RU's allocated                                    | 2TS (1*SF2) = 16RU/5ms |
| Midamble                                          | 144                    |
| Interleaving                                      | 20 ms                  |
| Power control (TPC)                               | 8 Bit/user/10ms        |
| TFCI                                              | 32 Bit/user/10ms       |
| Synchronisation Shift (SS)                        | 8 Bit/user/10ms        |
| Inband signalling DCCH                            | 2.4 kbps               |
| Puncturing level at Code rate: 1/3 DCH / 1/2 DCCH | 38% / 7%               |

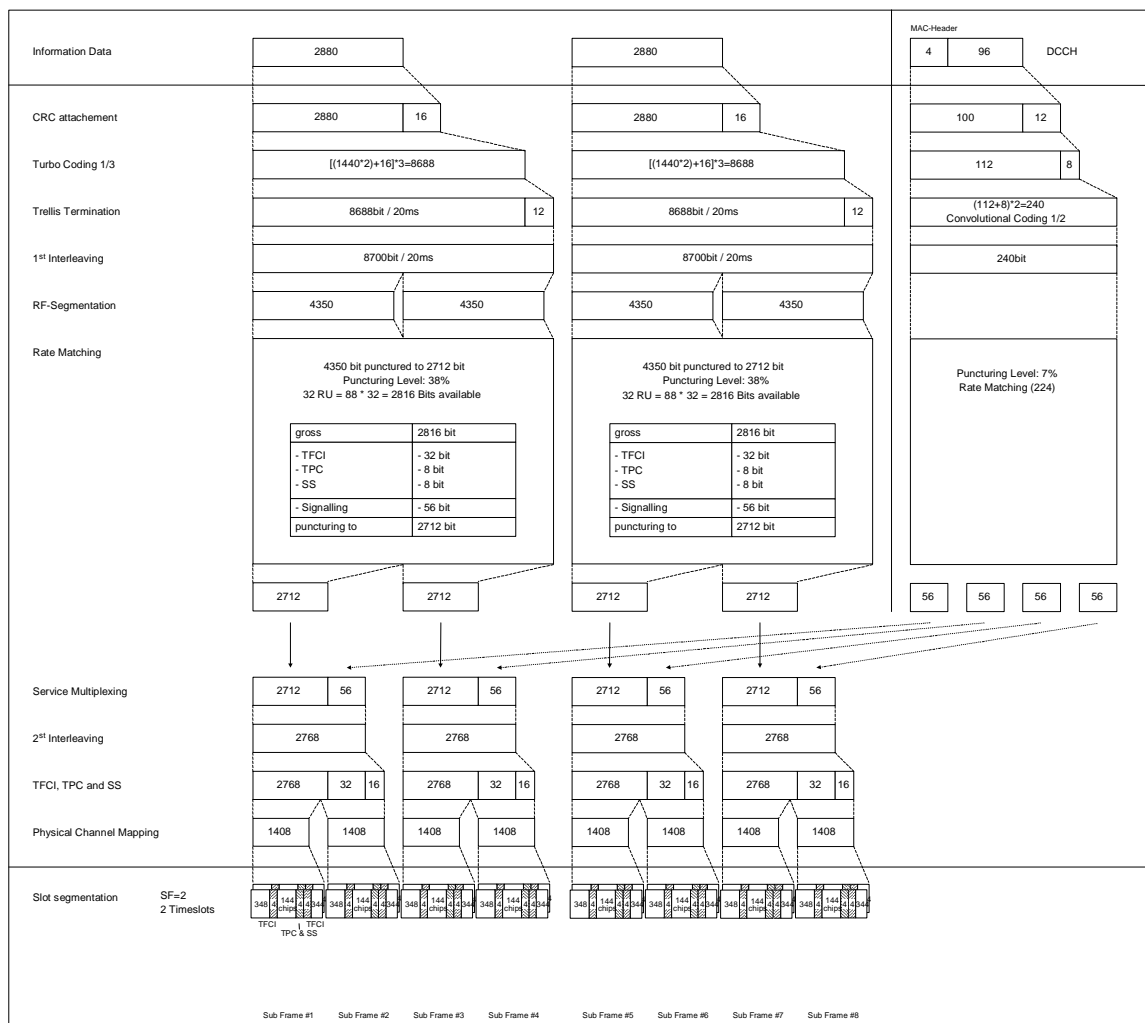


Figure A.3A

## A.2.4 UL reference measurement channel (384 kbps)

### A.2.4.1 3,84 Mcps TDD option

Table A.4

| Parameter                                          | Value        |
|----------------------------------------------------|--------------|
| Information data rate                              | 384 kbps     |
| RU's allocated                                     | 8*3TS = 24RU |
| Midamble                                           | 256 chips    |
| Interleaving                                       | 20 ms        |
| Power control                                      | 2 Bit/user   |
| TFCI                                               | 16 Bit/user  |
| Inband signalling DCCH                             | 2 kbps       |
| Puncturing level at Code rate : 1/3 DCH / 1/2 DCCH | 44% / 15.3%  |

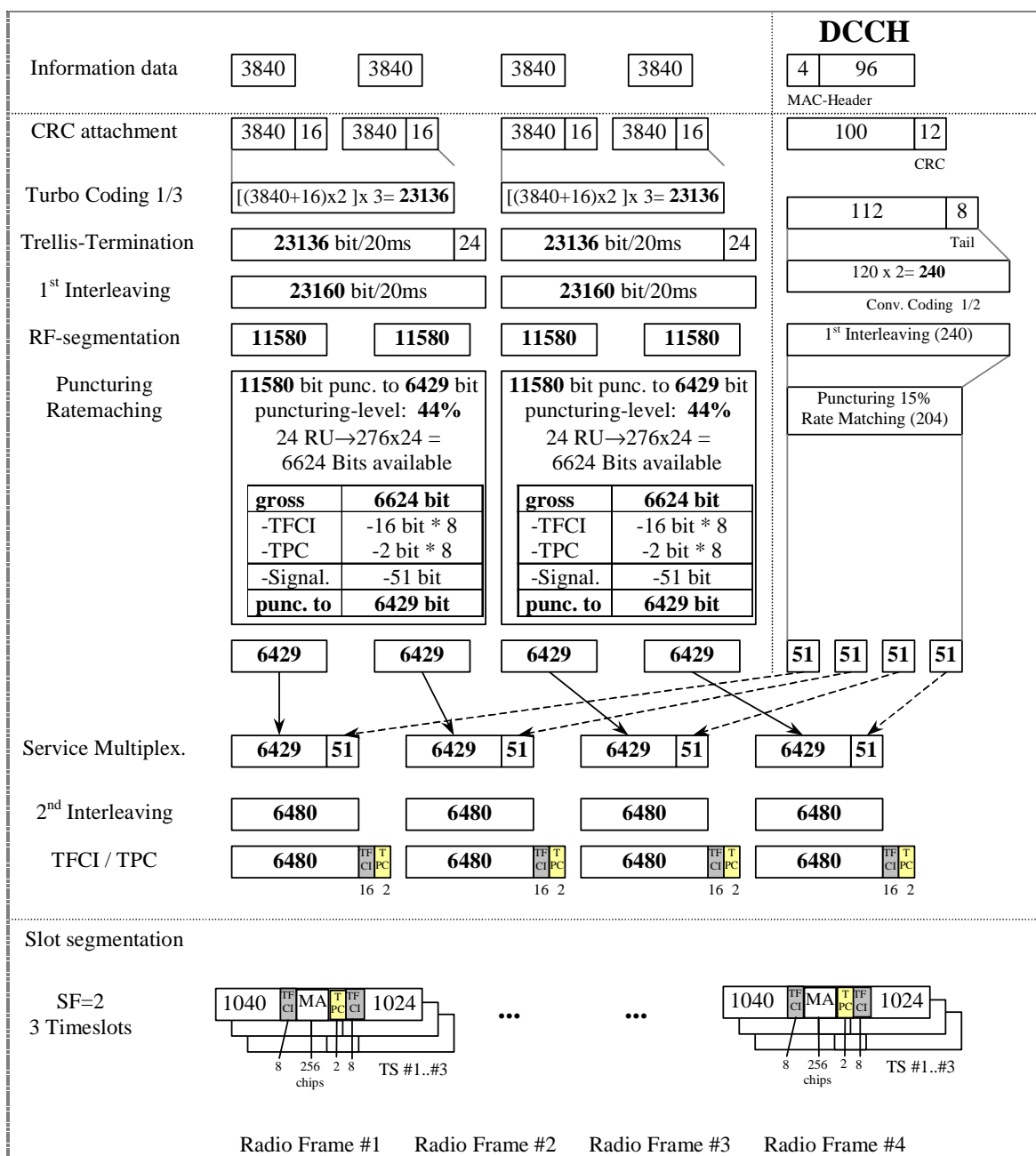


Figure A.4

A.2.4.2 1,28 Mcps TDD option

Table A.4A

| Parameter                                         | Value                          |
|---------------------------------------------------|--------------------------------|
| Information data rate                             | 384 kbps                       |
| RU's allocated                                    | 4TS (1*SF2 + 1*SF8) = 40RU/5ms |
| Midamble                                          | 144                            |
| Interleaving                                      | 20 ms                          |
| Power control (TPC)                               | 16 Bit/user/10ms               |
| TFCI                                              | 64 Bit/user/10ms               |
| Synchronisation Shift (SS)                        | 16 Bit/user/10ms               |
| Inband signalling DCCH                            | Max. 2.0 kbps                  |
| Puncturing level at Code rate: 1/3 DCH / 1/2 DCCH | 41% / 12%                      |

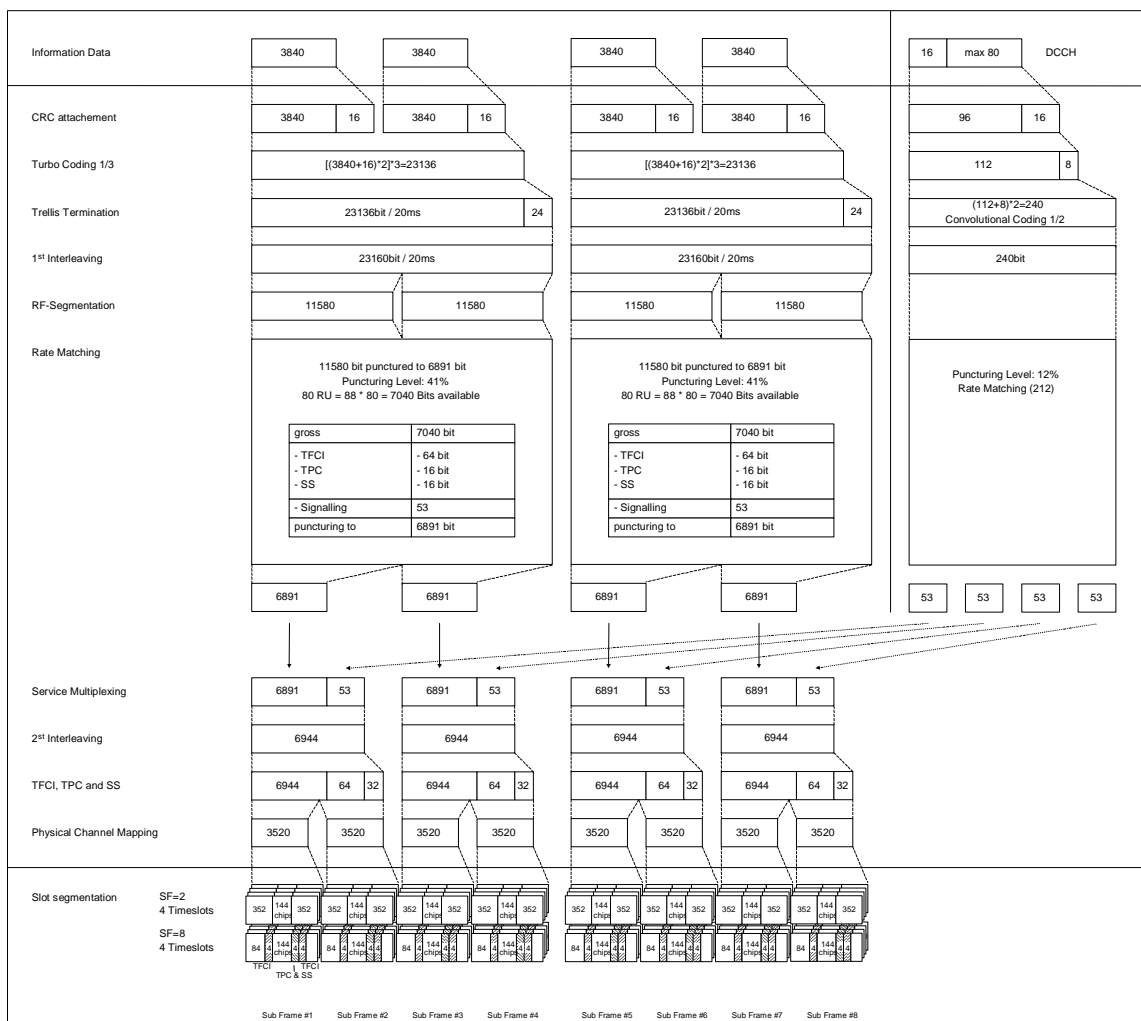


Figure A.4A

## A.2.5 RACH reference measurement channel

### A.2.5.1 3,84 Mcps TDD option

Table A.5

| Parameter                                                                                                                                                                                                                                                                                                                           | Value                                                                                                             |
|-------------------------------------------------------------------------------------------------------------------------------------------------------------------------------------------------------------------------------------------------------------------------------------------------------------------------------------|-------------------------------------------------------------------------------------------------------------------|
| Information data rate e.g. 2 TBs<br>( $B_{RACH}=2$ ):<br><b>SF16:</b><br>0% puncturing rate at CR=1/2<br>10% puncturing rate at CR=1/2<br>$N_{RACH} = \frac{232 + N_{RM} - 8}{B_{RACH}} - 8$<br><b>SF8:</b><br>0% puncturing rate at CR=1/2<br>10% puncturing rate at CR=1/2<br>$N_{RACH} = \frac{464 + N_{RM} - 8}{B_{RACH}} - 16$ | 46 bits per frame and TB<br>53 bits per frame and TB<br><br>96 bits per frame and TB<br>109 bits per frame and TB |
| RU's allocated                                                                                                                                                                                                                                                                                                                      | 1 RU                                                                                                              |
| Midamble                                                                                                                                                                                                                                                                                                                            | 512 chips                                                                                                         |
| Power control                                                                                                                                                                                                                                                                                                                       | 0 bit                                                                                                             |
| TFCI                                                                                                                                                                                                                                                                                                                                | 0 bit                                                                                                             |

$N_{RACH}$  = number of bits per TB

$B_{RACH}$  = number of TBs

#### A.2.5.1.1 RACH mapped to 1 code SF16

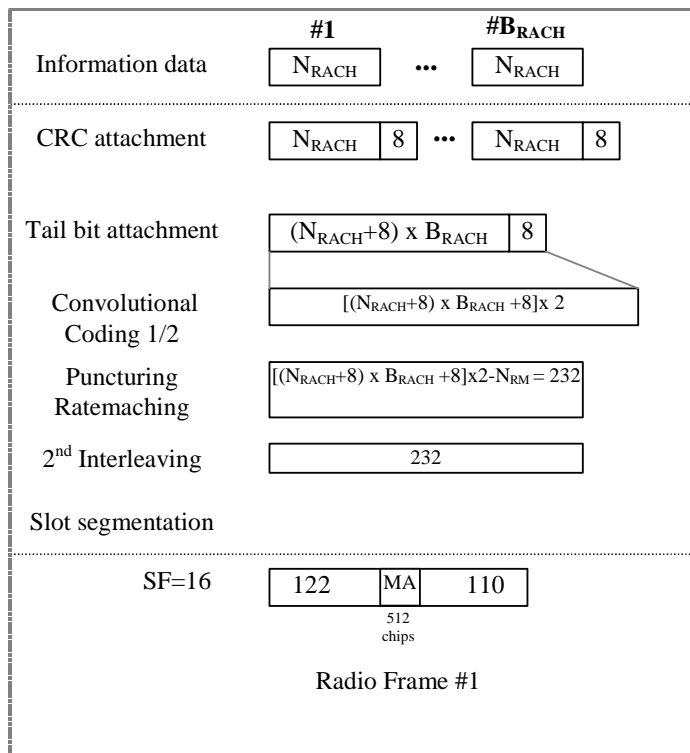


Figure A.5

A.2.5.1.2 RACH mapped to 1 code SF8

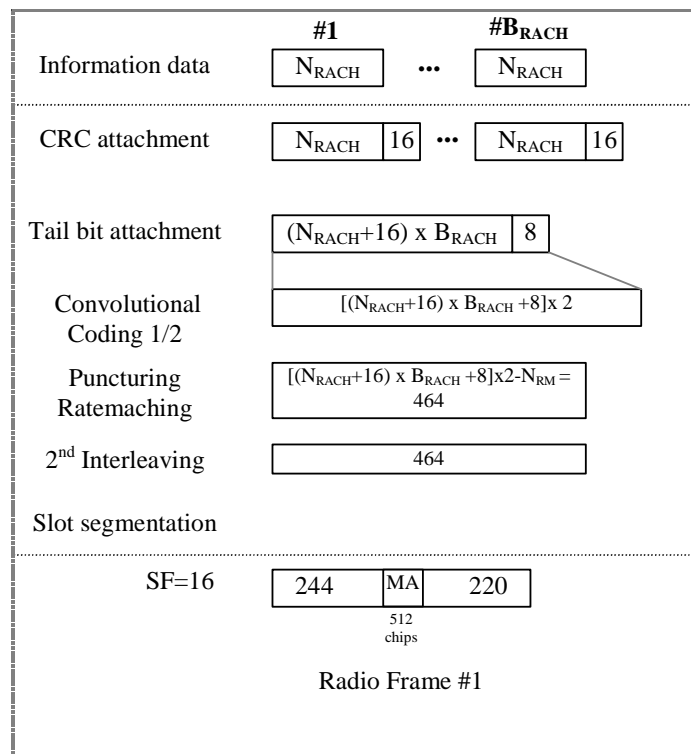


Figure A.6

A.2.5.2 1,28 Mcps TDD option

Table A5.A

| Parameter                                                                                                                 | Value                                                          |
|---------------------------------------------------------------------------------------------------------------------------|----------------------------------------------------------------|
| Information data rate:<br>$N_{RACH} = \frac{88 * \frac{16}{SF} \left( \frac{N_{RM}}{100} + 1 \right) - 8}{B_{RACH}} - 16$ | Transport Block Set Size=1<br>CRC length = 16<br>Tail Bits = 8 |
| <b>SF16</b> (RU's allocated:1):<br>0% puncturing rate at CR=1/2<br>~10% puncturing rate at CR=1/2                         | 20 bits per frame and TB<br>24 bits per frame and TB           |
| <b>SF8</b> (RU's allocated:2):<br>0% puncturing rate at CR=1/2<br>~10% puncturing rate at CR=1/2                          | 64 bits per frame and TB<br>73 bits per frame and TB           |
| <b>SF4</b> (RU's allocated:4):<br>0% puncturing rate at CR=1/2<br>~10% puncturing rate at CR=1/2                          | 152 bits per frame and TB<br>170 bits per frame and TB         |
| TTI                                                                                                                       | 5msec                                                          |
| Midamble                                                                                                                  | 144 chips                                                      |
| Power control                                                                                                             | 0 bit                                                          |
| TFCI                                                                                                                      | 0 bit                                                          |

$N_{RACH}$  = number of bits per TB

$B_{RACH}$  = number of TBs

$N_{RM}$  = puncturing rate



A.2.5.2.1 RACH mapped to 1 code SF16

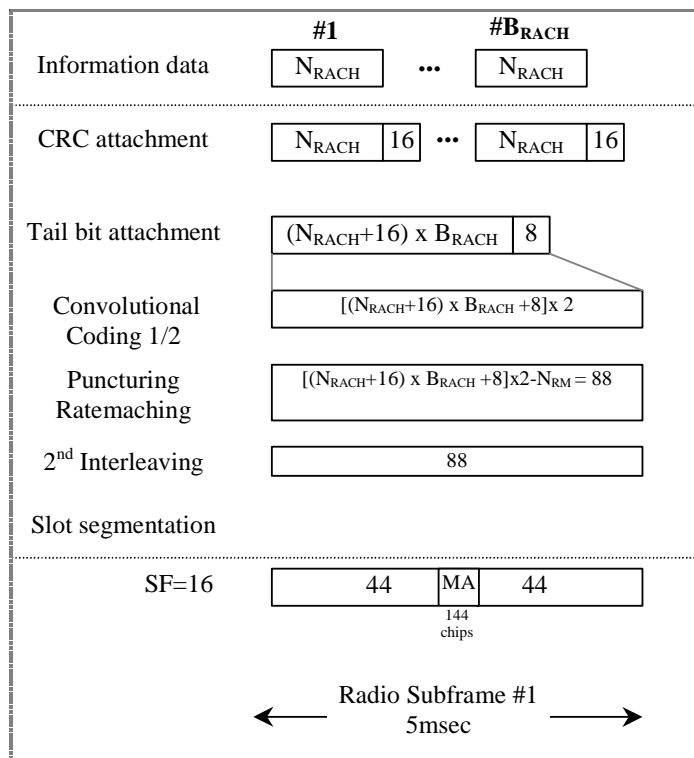


Figure A.5A

A.2.5.2.2 RACH mapped to 1 code SF8

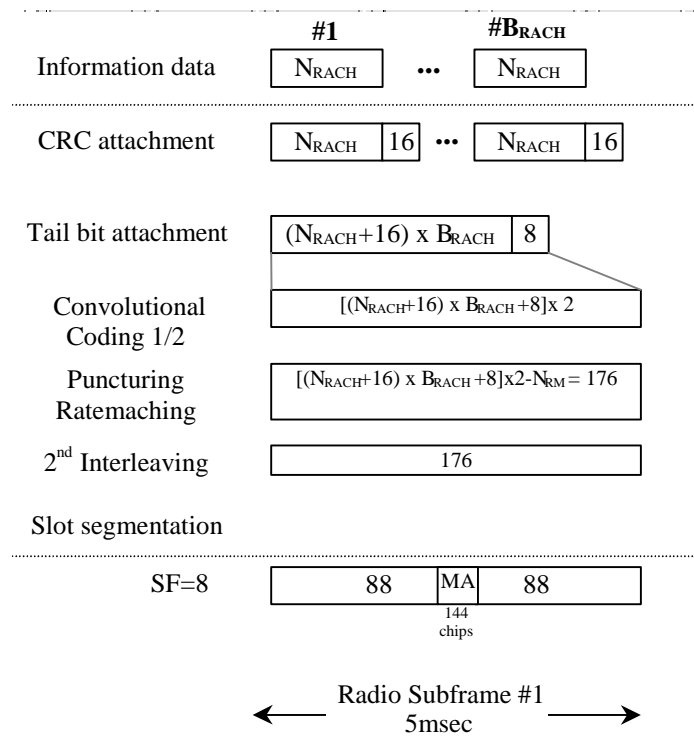


Figure A.6A

A.2.5.2.3 RACH mapped to 1 code SF4

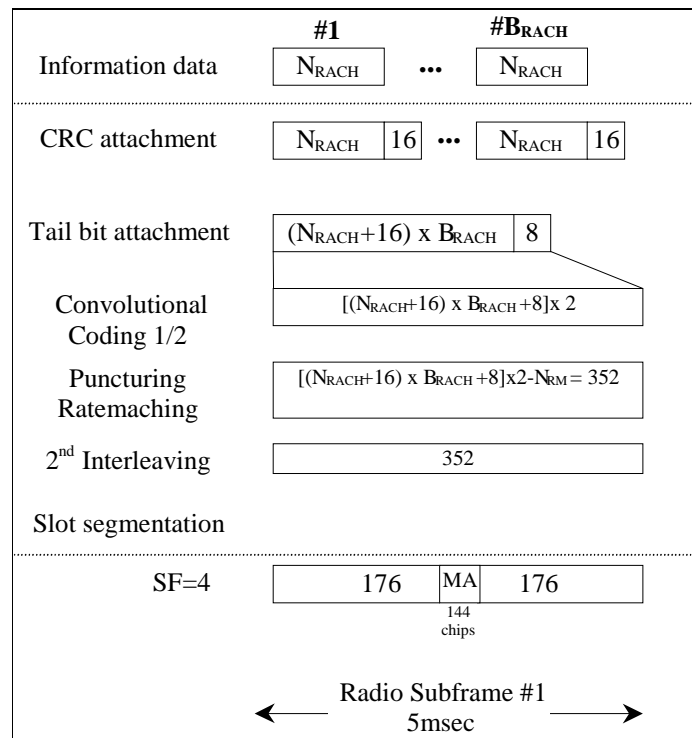


Figure A.7

## Annex B (normative): Propagation conditions

### B.1 Static propagation condition

The propagation for the static performance measurement is an Additive White Gaussian Noise (AWGN) environment. No fading and multi-paths exist for this propagation model.

### B.2 Multi-path fading propagation conditions

#### B.2.1 3,84 Mcps TDD option

Table B1 shows propagation conditions that are used for the performance measurements in multi-path fading environment. All taps have classical Doppler spectrum, defined as:

$$(CLASS) \quad S(f) \propto 1/(1 - (f / f_D)^2)^{0.5} \quad \text{for } f \in -f_d, f_d.$$

**Table B.1: Propagation Conditions for Multi path Fading Environments for 3,84 Mcps TDD option**

| Case 1, speed 3km/h |                    | Case 2, speed 3 km/h |                    | Case 3, 120 km/h    |                    |
|---------------------|--------------------|----------------------|--------------------|---------------------|--------------------|
| Relative Delay [ns] | Average Power [dB] | Relative Delay [ns]  | Average Power [dB] | Relative Delay [ns] | Average Power [dB] |
| 0                   | 0                  | 0                    | 0                  | 0                   | 0                  |
| 976                 | -10                | 976                  | 0                  | 260                 | -3                 |
|                     |                    | 12000                | 0                  | 521                 | -6                 |
|                     |                    |                      |                    | 781                 | -9                 |

#### B.2.2 1,28 Mcps TDD option

Table B2.2 shows propagation conditions that are used for the performance measurements in multi-path fading environment. All taps have classical Doppler spectrum, defined as:

$$(CLASS) \quad S(f) \propto 1/(1 - (f / f_D)^2)^{0.5} \quad \text{for } f \in -f_d, f_d.$$

**Table B2: Propagation Conditions for Multi path Fading Environments for 1,28 Mcps TDD**

| Case 1, speed 3km/h |                    | Case 2, speed 3km/h |                    | Case 3, speed 120km/h |                    |
|---------------------|--------------------|---------------------|--------------------|-----------------------|--------------------|
| Relative Delay [ns] | Average Power [dB] | Relative Delay [ns] | Average Power [dB] | Relative Delay [ns]   | Average Power [dB] |
| 0                   | 0                  | 0                   | 0                  | 0                     | 0                  |
| 2928                | -10                | 2928                | 0                  | 781                   | -3                 |
|                     |                    | 12000               | 0                  | 1563                  | -6                 |
|                     |                    |                     |                    | 2344                  | -9                 |

---

## Annex C (normative): Global in-channel Tx test

### C.1 General

The global in-channel Tx test enables the measurement of all relevant parameters that describe the in-channel quality of the output signal of the Tx under test in a single measurement process.

The objective of this Annex is to list the results that shall be available from the global in-Channel TX-Test. To aid understanding, an example algorithmic description of the measurement process is provided. It is not intended that this particular method is required. It is however required that any algorithm that is used for in-channel Tx tests should deliver the required results with the required accuracy.

All notes referred to in the various subclauses of C.2 are put together in clause C.4

---

### C.2 Definition of the process

#### C.2.1 Basic principle

The process is based on the comparison of the actual **output signal of the Tx under test**, received by an ideal receiver, with a **reference signal**, that is generated by the measuring equipment and represents an ideal error free received signal. The reference signal shall be composed of the same number of codes at the correct spreading factors as contained in the test signal. Note, for simplification, the notation below assumes only one code and one spreading factor. All signals are represented as equivalent (generally complex) base band signals.

#### C.2.2 Output signal of the Tx under test

The output signal of the Tx under test is acquired by the measuring equipment, filtered by a matched filter (RRC characteristic with roll-off  $\alpha = 0,22$ , correct in shape and in position on the frequency axis) and stored at one sample per chip at the inter symbol interference free instants.

The following form represents the physical signal in the entire measurement interval:

one vector **Z**, containing  $N = n_s \times s_f + m_a$  complex samples;

with

$n_s$ : number of symbols in the measurement interval;

$s_f$ : number of chips per symbol. ( $s_f$ : spreading factor) (see Note: Symbol length)

$m_a$ : number of midamble chips (TDD only)

#### C.2.3 Reference signal

The reference signal is constructed by the measuring equipment according to the relevant Tx specifications.

It is filtered by the same matched filter, mentioned in C.2.2, and stored at the intersymbol interference free instants. The following form represents the reference signal in the entire measurement interval:

one vector **R**, containing  $N = n_s \times s_f + m_a$  complex samples;

where  $n_s$ ,  $s_f$  and  $m_a$  have the same meaning as defined above in C.2.2.

## C.2.4 Classification of measurement results

The measurement results achieved by the global in-channel Tx test can be classified into two types:

- **Results of type "deviation"**, where the error-free parameter has a non-zero magnitude. (These are the parameters that represent the signal). These parameters are:

RF Frequency

Power (in case of single code)

Code Domain Power (in case of multi-code)

Timing (only for UE)

(Additional parameters: see Note: Deviation)

- **Results of type "residual"**, where the error-free parameter has value zero. (These are the parameters that represent the error values of the measured signal; ideally, their magnitude is zero). These parameters are:

Error Vector Magnitude (EVM)

Peak Code Domain Error (PCDE)

(Additional parameters: see Note: Residual)

## C.2.5 Process definition to achieve results of type "deviation"

The reference signal (**R**; see subclause C.2.3) is varied with respect to the parameters mentioned in subclause C.2.4 under "results of type deviation" in order to achieve best fit with the recorded signal under test (**Z**; see subclause C.2.2). Best fit is achieved when the RMS difference value between the signal under test and the varied reference signal is an absolute minimum. The varied reference signal, after the best-fit process, will be called **R'**.

Those parameter values, which - after the best-fit process - are leading to **R'**, represent directly the wanted results of type "deviation". These parameter values are expressed as deviations from the reference value, using the same units as the corresponding reference value.

In case of multi-code transmission, the best-fit process of the type "deviation" parameters frequency, timing (and any additional parameter as e.g. RF phase) is not done with respect to the individual codes, but commonly for the complete code set used; therefore, the process returns one measurement value only for each parameter.

The only exception is the type "deviation" parameter Code Domain Power: The Code Domain Power is varied individually for each used code; therefore, the process returns k individual code power deviations (k: number of codes).

## C.2.6 Process definition to achieve results of type "residual"

The difference between the varied reference signal (**R'**; see subclause C.2.5.) and the Tx signal under test (**Z**; see subclause C.2.2) is the error vector **E** versus time:

$$\mathbf{E} = \mathbf{Z} - \mathbf{R}'.$$

Depending on the parameter to be evaluated, it is appropriate to represent **E** in one of the following two different forms:

**Form EVM** (representing the physical error signal in the entire measurement interval)

One vector **E**, containing  $N = n_s \times s_f + m_a$  complex samples;

where  $n_s$ ,  $s_f$  and  $m_a$  have the same meaning as defined above in C.2.2.

**Form PCDE** (derived from Form EVM by separating the samples into symbol intervals)

$n_s$  time-sequential vectors **e** with  $s_f$  complex samples comprising one symbol interval.

**E** gives results of type "residual" applying the two algorithms defined in subclauses C.2.6.1 and C.2.6.2.

### C.2.6.1 Error Vector Magnitude (EVM)

The Error Vector Magnitude EVM is calculated according to the following steps:

- (1) Take the error vector **E** defined in subclause C.2.6 (Form EVM) and calculate the RMS value of **E**; the result will be called RMS(**E**).
- (2) Take the reference vector **R** defined in subclause C.2.3 and calculate the RMS value of **R**; the result will be called RMS(**R**).
- (3) Calculate EVM according to:

$$\text{EVM} = \frac{\text{RMS}(\mathbf{E})}{\text{RMS}(\mathbf{R})} \times 100\% \text{ (here, EVM is relative and expressed in \%)}$$

(see Note: TDD)

### C.2.6.2 Peak Code Domain Error (PCDE)

The Peak Code Domain Error is calculated according to the following steps:

- (1) Take the error vectors **e** defined in subclause C.2.6 (Form PCDE)
- (2) Take the orthogonal vectors of the spreading code set **C** (all codes belonging to one spreading factor) as defined in TS 25.213 and TS 25.223 (range +1, -1). (see Note: Symbol length)
- (3) To achieve meaningful results, it is necessary to descramble **e**, leading to **e'** (see Note: Scrambling code)
- (4) Calculate the inner product of **e'** with **C**. Do this for all symbols of the measurement interval and for all codes in the code space.  
This gives an array of format  $k \times ns$ , each value representing an error-vector representing a specific symbol and a specific code, which can be exploited in a variety of ways.  
  - k: number of codes
  - ns: number of symbols in the measurement interval
- (5) Calculate  $k$  RMS values, each RMS value unifying  $n$  symbols within one code.  
(These values can be called "Absolute CodeEVMs" [Volt].)
- (6) Find the peak value among the  $k$  "absolute Code-EVMs".  
(This value can be called "Absolute PeakCodeEVM" [Volt].)
- (7) Calculate PCDE according to:

$$\text{PCDE} = 10 \lg \frac{(\text{absolute PeakCodeEVM})^2}{(\text{RMS}(\mathbf{R}))^2} \text{ dB} . \quad (\text{a relative value in dB}).$$

see Note: TDD

see Note: Synch channel

---

## C.3 Applications

This process may be applied in the measurements defined in the following subclauses:

- |       |                       |
|-------|-----------------------|
| 6.3   | Frequency Stability   |
| 6.4   | Output Power Dynamics |
| 6.4.2 | Power control steps   |

|         |                                             |
|---------|---------------------------------------------|
| 6.4.3   | Power control dynamic range                 |
| 6.4.4   | Minimum output power                        |
| 6.4.5   | Primary CCPCH power                         |
| 6.6.2.2 | Adjacent Channel Leakage power Ratio (ACLR) |
| 6.8     | Transmit Modulation                         |
| 6.8.1   | Modulation accuracy                         |
| 6.8.2   | Peak Code Domain Error                      |

---

## C.4 Notes

### NOTE: Symbol length

A general code-multiplexed signal is multi-code and multi-rate. In order to avoid unnecessary complexity, the measurement applications use a unique symbol-length, corresponding to a specific spreading factor, regardless of the really intended spreading factor. Nevertheless, the complexity with a multi-code / multi-rate signal can be mastered by introducing appropriate definitions.

### NOTE: Deviation

It is conceivable to regard more parameters as type „deviation“, e.g. chip clock and RF phase. However, because chip clock and RF frequency are linked together by a statement in the core specifications [1], it is sufficient to process RF frequency only.

The parameter RF phase must be varied within the best-fit process (C.2.5). Although necessary, this parameter-variation does not describe any error, as the modulation schemes used in the system do not depend on an absolute RF-phase.

### NOTE: Residual

It is conceivable to regard more parameters as type „residual“, e.g. IQ origin offset. As it is not the intention of the test to separate for different error sources, but to quantify the quality of the signal, all such parameters are not extracted by the best-fit process, instead remain part of EVM and PCDE.

### NOTE: Scrambling code

To interpret the measurement results in practice, it should be kept in mind that erroneous code power on unused codes is generally de-scrambled differently under test conditions and under real life conditions, whereas erroneous code power on used codes is generally de-scrambled equally under test conditions and under real life conditions. It might be indicated if a used or unused code hits PCDE.

### NOTE: TDD

EVM covers the midamble part as well as the data part; however PCDE disregards the midamble part.

### NOTE: Synch channel

A BS signal contains a physical synch channel, which is non-orthogonal, related to the other DPCHs. In this context note: The code channel bearing the result of PCDE is exactly one of the DPCHs (never the synch channel). The origin of PCDE (erroneous code power) can be any DPCH and/or the synch channel.

---

## Annex D (informative): Derivation of Test Requirements

The Test Requirements in this specification have been calculated by relaxing the Minimum Requirements of the core specification using the Test Tolerances defined in subclause 5.11. When the Test Tolerance is zero, the Test Requirement will be the same as the Minimum Requirement. When the Test Tolerance is non-zero, the Test Requirements will differ from the Minimum Requirements, and the formula used for this relaxation is given in tables D.1 to D.3

Note that a formula for applying Test Tolerances is provided for all tests, even those with a test tolerance of zero. This is necessary in the case that the Test System uncertainty is greater than that allowed in subclause 5.10. In this event, the excess error shall be subtracted from the defined test tolerance in order to generate the correct tightened Test Requirements as defined in subclause 5.12.

For example, a Test System having 0,9 dB accuracy for test 6.2 Maximum output power (which is 0,2 dB above the limit specified in subclause 5.10.2) would subtract 0,2 dB from the Test Tolerance of 0,7 dB defined in subclause 5.11.1. This new test tolerance of 0,5 dB would then be applied to the Minimum Requirement using the formula defined in Table D.1 to give a new range of  $\pm 2,5$  dB of the manufacturer's rated output power.

For the case where an excess error of 0.2 dB exists, when applied to a test with a test tolerance of zero, the test tolerance used in the formula would be  $-0.2$  dB.



Table D.1: Derivation of Test Requirements (Transmitter tests)

| Test                                               | Minimum Requirement in TS 25.105<br>(numbering of tables in the column below refers to TS 25.142)                                                                                                  | Test Tolerance (TT)                                | Test Requirement in TS 25.142                                                                                                                                                                                                                               |
|----------------------------------------------------|----------------------------------------------------------------------------------------------------------------------------------------------------------------------------------------------------|----------------------------------------------------|-------------------------------------------------------------------------------------------------------------------------------------------------------------------------------------------------------------------------------------------------------------|
| 6.2 Maximum output power                           | In normal conditions ...<br>within +2 dB and -2 dB of the manufacturer's rated output power<br><br>In extreme conditions...<br>within +2,5 dB and -2,5 dB of the manufacturer's rated output power | 0,7 dB                                             | Formula: Upper limit + TT<br>Lower limit - TT<br><br>In normal conditions ...<br>within +2,7 dB and -2,7 dB of the manufacturer's rated output power<br><br>In extreme conditions...<br>within +3,2 dB and -3,2 dB of the manufacturer's rated output power |
| 6.3 Frequency stability                            | Frequency stability = $\pm 0,05$ ppm                                                                                                                                                               | 12 Hz                                              | Formula:<br>$\pm$ (frequency stability + TT)<br><br>$\pm$ (0,05 ppm + 12 Hz)                                                                                                                                                                                |
| 6.4.2 Power control steps                          | single step: step size tolerance specified in table 6.3<br><br>ten steps: minimum and maximum average rate of change in mean power specified in table 6.3                                          | single step:<br>0,1 dB<br><br>ten steps:<br>0,3 dB | Formula:<br>single step:<br>$\pm$ (step size tolerance + TT)<br><br>ten steps:<br>maximum average rate + TT<br>minimum average rate - TT<br><br>0,1 dB and 0,3 dB, respectively, applied as above to table 6.3                                              |
| 6.4.3 Power control dynamic range                  | range $\geq 30$ dB                                                                                                                                                                                 | 0,3 dB                                             | Formula: Range - TT<br><br>range $\geq 29,7$ dB                                                                                                                                                                                                             |
| 6.4.4 Minimum output power                         | PRAT - 30 dB                                                                                                                                                                                       | 0,7 dB                                             | Formula :<br>PRAT - 30 dB + TT<br><br>PRAT - 29,3 dB                                                                                                                                                                                                        |
| 6.4.5 Primary CCPCH power                          | PCCPCH power tolerance defined in table 6.8                                                                                                                                                        | 0,8 dB                                             | Formula:<br>$\pm$ (power tolerance + TT)<br><br>0,8 dB applied as above to table 6.8                                                                                                                                                                        |
| 6.4.6 Differential accuracy of Primary CCPCH power | Differential accuracy of PCCPCH power: $\leq \pm 0,5$ dB                                                                                                                                           | 0,1 dB                                             | Formula:<br>$\pm$ (PCCPCH tolerance + TT)<br><br>$\pm 0,6$ dB                                                                                                                                                                                               |
| 6.5.1 Transmit OFF power                           | Tx OFF power limit < -79 dBm                                                                                                                                                                       | 2,0 dB                                             | Formula:<br>< Tx OFF power limit + TT<br><br>< - 77 dBm                                                                                                                                                                                                     |
| 6.5.2 Transmit ON/OFF time mask                    | Tx power limit < -33 dBm or -79 dBm, resp.                                                                                                                                                         | < -33 dBm:<br>0,7 dB<br><br>< -79 dBm:<br>2,0 dB   | Formula:<br>< Tx power limit + TT<br><br>< -32,3 dBm<br>or<br>< - 77 dBm                                                                                                                                                                                    |

|                                                                                                                                                                      |                                                                                                                                                                                                                                                                                                                                                                                                                                       |                                                                                     |                                                                                                                                                                                                                                             |
|----------------------------------------------------------------------------------------------------------------------------------------------------------------------|---------------------------------------------------------------------------------------------------------------------------------------------------------------------------------------------------------------------------------------------------------------------------------------------------------------------------------------------------------------------------------------------------------------------------------------|-------------------------------------------------------------------------------------|---------------------------------------------------------------------------------------------------------------------------------------------------------------------------------------------------------------------------------------------|
| 6.6.1 Occupied bandwidth                                                                                                                                             | occupied bandwidth limit = 5 MHz                                                                                                                                                                                                                                                                                                                                                                                                      | 0 kHz                                                                               | Formula:<br>Occupied bandwidth limit + TT<br><br>Occupied bandwidth limit = 5 MHz                                                                                                                                                           |
| 6.6.2.1 Spectrum emission mask                                                                                                                                       | Maximum level defined in tables 6.13 to 6.16                                                                                                                                                                                                                                                                                                                                                                                          | 1,5 dB                                                                              | Formula: Maximum level + TT<br><br>Add 1,5 dB to Maximum level entries in tables 6.13 to 6.16                                                                                                                                               |
| 6.6.2.2 Adjacent Channel Leakage power Ratio (ACLR)                                                                                                                  | minimum requirement:<br>ACLR limit = 45 dB at 5 MHz<br>ACLR limit = 55 dB at 10 MHz<br><br>requirement in case of operation in proximity to TDD BS or FDD BS operating on an adjacent frequency:<br>ACLR limit = 70 dB at 5 MHz<br>ACLR limit = 70 dB at 10 MHz<br><br>requirement in case of co-siting with TDD BS or FDD BS operating on an adjacent frequency<br>ACLR limit = - 80 dBm at 5 MHz<br>ACLR limit = - 80 dBm at 10 MHz | min. req. :<br>0,8 dB<br><br>operation in proxim.:<br>4 dB<br><br>co-siting:<br>TBD | Formula: ACLR limit – TT<br><br>min. requirement:<br>ACLR limit = 44,2 dB at 5 MHz<br>ACLR limit = 54,2 dB at 10 MHz<br><br>operation in proximity:<br>ACLR limit = 66 dB at 5 MHz<br>ACLR limit = 66 dB at 10 MHz<br><br>co-siting:<br>TBD |
| 6.6.3 Spurious emissions                                                                                                                                             | maximum level defined in tables 6.29 to 6.37                                                                                                                                                                                                                                                                                                                                                                                          | 0 dB                                                                                | Formula: Maximum limit + TT<br><br>add 0 dB to maximum levels in tables 6.29 to 6.37                                                                                                                                                        |
| 6.7 Transmit intermodulation (interferer requirements)<br><br>This tolerance applies to the stimulus and not the measurements defined in 6.6.2.1, 6.6.2.2 and 6.6.3. | Wanted signal level – interferer level = 30 dB                                                                                                                                                                                                                                                                                                                                                                                        | 0 dB                                                                                | Formula: Ratio + TT<br><br>Wanted signal level – interferer level = 30 + 0 dB                                                                                                                                                               |
| 6.8.1 Modulation accuracy                                                                                                                                            | EVM limit = 12,5 %                                                                                                                                                                                                                                                                                                                                                                                                                    | 0 %                                                                                 | Formula: EVM limit + TT<br><br>EVM limit = 12,5 %                                                                                                                                                                                           |
| 6.8.2 Peak code domain error                                                                                                                                         | PCDE limit = - 28 dB                                                                                                                                                                                                                                                                                                                                                                                                                  | 1 dB                                                                                | Formula: PCDE limit + TT<br><br>PCDE limit = - 27 dB                                                                                                                                                                                        |

Table D.2: Derivation of Test Requirements (Receiver tests)

| Test                                   | Minimum Requirement in TS 25.105<br>(numbering of tables in the column below refers to TS 25.142)                                                                | Test Tolerance (TT) | Test Requirement in TS 25.142                                                                                                                            |
|----------------------------------------|------------------------------------------------------------------------------------------------------------------------------------------------------------------|---------------------|----------------------------------------------------------------------------------------------------------------------------------------------------------|
| 7.2 Reference sensitivity              | Reference sensitivity level = -109 dBm<br><br>BER limit = 0,001                                                                                                  | 0,7 dB              | Formula:<br>Reference sensitivity level + TT<br><br>Reference sensitivity level = -108,3 dBm<br><br>BER limit is not changed                             |
| 7.3 Dynamic range                      | Wanted signal level = <REFSENS> + 30 dB<br><br>Interfering AWGN level = -73 dBm/3,84 MHz                                                                         | 1,2 dB              | Formula:<br>Wanted signal level + TT<br>AWGN level unchanged<br><br>Wanted signal level = <REFSENS> + 31,2 dB                                            |
| 7.4 Adjacent Channel Selectivity (ACS) | Wanted signal level = Ref. sensitivity level + 6 dB<br><br>Interfering signal level = -52 dBm/3,84 MHz                                                           | 0 dB                | Formula:<br>Wanted signal level + TT<br>Interfering signal level unchanged<br><br>Wanted signal level = Ref. sensitivity level + 6 dB                    |
| 7.5 Blocking characteristics           | Wanted signal level = <REFSENS> + 6 dB<br><br>Interfering signal level see tables 7.6 to 7.8                                                                     | 0 dB                | Formula:<br>Wanted signal level + TT<br>Interfering signal level unchanged<br><br>Wanted signal level = <REFSENS> + 6 dB                                 |
| 7.6 Intermodulation characteristics    | Wanted signal level = <REFSENS> + 6 dB<br><br>Interferer1 level (10 MHz offset CW) = -48 dBm<br><br>Interferer2 level (20 MHz offset W-CDMA Modulated) = -48 dBm | 0 dB                | Formula:<br>Wanted signal level + TT<br><br>Interferer 1 level: unchanged<br>Interferer 2 level: unchanged<br><br>Wanted signal level = <REFSENS> + 6 dB |
| 7.7 Spurious emissions                 | Maximum level defined in table 7.12                                                                                                                              | 0 dB                | Formula: Maximum level + TT<br><br>Add TT to maximum level in table 7.12                                                                                 |

Table D.3: Derivation of Test Requirements (Performance requirements)

| Test                                                   | Minimum Requirement in TS 25.105 | Test Tolerance (TT) | Test Requirement in TS 25.142 |
|--------------------------------------------------------|----------------------------------|---------------------|-------------------------------|
| 8.2 Demodulation in static propagation conditions      |                                  | TBD                 |                               |
| 8.3 Demodulation of DCH in multipath fading conditions |                                  | TBD                 |                               |

## Annex E (informative): Acceptable uncertainty of Test Equipment

This informative annex specifies the critical parameters of the components of an overall Test System (e.g. Signal generators, Signal Analysers etc.) which are necessary when assembling a Test System which complies with subclause 5.10 Acceptable Uncertainty of Test System. These Test Equipment parameters are fundamental to the accuracy of the overall Test System and are unlikely to be improved upon through System Calibration.

**Table E.1: Equipment accuracy for transmitter measurements**

| Test                                                   | Equipment accuracy                                                                                                                        | Range over which equipment accuracy applies                                                                                         |
|--------------------------------------------------------|-------------------------------------------------------------------------------------------------------------------------------------------|-------------------------------------------------------------------------------------------------------------------------------------|
| 6.2 Maximum output power                               | Not critical                                                                                                                              | Not critical                                                                                                                        |
| 6.3 Frequency stability                                | $\pm 10$ Hz + timebase = 12 Hz                                                                                                            | Measurements in the range $\pm 500$ Hz.                                                                                             |
| 6.4.2 Power control steps                              | single step: $\pm 0,1$ dB<br>ten steps: $\pm 0,3$ dB                                                                                      | $P_{max}$ to $P_{max} - 30$ dB                                                                                                      |
| 6.4.3 Power control dynamic range                      | $\pm 0,3$ dB                                                                                                                              | $P_{max}$ to $P_{max} - 30$ dB                                                                                                      |
| 6.4.4 Minimum output power                             | Not critical                                                                                                                              | $P_{max}$ to $P_{max} - 30$ dB                                                                                                      |
| 6.4.5 Primary CCPCH power                              | Not critical                                                                                                                              | Not critical                                                                                                                        |
| 6.4.6 Differential accuracy of Primary CCPCH power     | $\pm 0,1$ dB                                                                                                                              |                                                                                                                                     |
| 6.5.1 Transmit OFF power                               | Not critical                                                                                                                              | Not critical                                                                                                                        |
| 6.5.2 Transmit ON/OFF time mask                        | Not critical                                                                                                                              | Not critical                                                                                                                        |
| 6.6.1 Occupied bandwidth                               | $\pm 100$ kHz                                                                                                                             | $\pm 1$ MHz of the minimum requirement                                                                                              |
| 6.6.2.1 Spectrum emission mask                         | Not critical                                                                                                                              | Not critical                                                                                                                        |
| 6.6.2.2 ACLR                                           | minimum requirement: $\pm 0,8$ dB<br>requirement in case of operation in proximity: $\pm 4,0$ dB<br>requirement in case of co-siting: TBD | Measurements in the range $\pm 3$ dB of the minimum requirement at signal power = $P_{max}$                                         |
| 6.6.3 Spurious emissions                               | Not critical                                                                                                                              | Not critical                                                                                                                        |
| 6.7 Transmit intermodulation (interferer requirements) | Not critical                                                                                                                              | Not critical                                                                                                                        |
| 6.8.1 Modulation accuracy                              | $\pm 2,5$ %<br>(for single code)                                                                                                          | Specified accuracy applies to measurement results between $\pm 7,5\%$ and $17,5\%$ at signal power = $P_{max}$ to $P_{max} - 30$ dB |
| 6.8.2 Peak code domain error                           | $\pm 1$ dB                                                                                                                                | Measurements in the range $-25$ dB to $-30$ dB at signal power = $P_{max}$                                                          |

**Table E.2: Equipment accuracy for receiver measurements**

| Subclause                           | Equipment accuracy | Range over which equipment accuracy applies |
|-------------------------------------|--------------------|---------------------------------------------|
| 7.2 Reference sensitivity level     | Not critical       | Not critical                                |
| 7.3 Dynamic range                   | Not critical       | Not critical                                |
| 7.4 Adjacent channel selectivity    | Not critical       | Not critical                                |
| 7.5 Blocking characteristics        | Not critical       | Not critical                                |
| 7.6 Intermodulation characteristics | Not critical       | Not critical                                |
| 7.7 Spurious Emissions              | Not critical       | Not critical                                |

**Table E.3: Equipment accuracy for performance measurements**

| <b>Subclause</b> |                                                    | <b>Equipment accuracy</b> | <b>Range over which equipment accuracy applies</b> |
|------------------|----------------------------------------------------|---------------------------|----------------------------------------------------|
| 8.2              | Demodulation in static propagation conditions      | Not critical              | Not critical                                       |
| 8.3              | Demodulation of DCH in multipath fading conditions | Not critical              | Not critical                                       |

## Annex F (informative): Change history

**Table F.1: CRs approved at TSG-RAN#7**

| RAN doc   | Spec   | CR  | Re<br>v | Phas<br>e | Subject                                                             | Cat | Curre<br>nt | New   |
|-----------|--------|-----|---------|-----------|---------------------------------------------------------------------|-----|-------------|-------|
| RP-000023 | 25.142 | 001 |         | R99       | Conformance test descriptions for spectrum emission mask and ACLR   | C   | 3.0.0       | 3.1.0 |
| RP-000023 | 25.142 | 002 |         | R99       | Conformance test description for Adjacent Channel Selectivity (ACS) | F   | 3.0.0       | 3.1.0 |
| RP-000023 | 25.142 | 003 |         | R99       | Conformance test description for blocking characteristics           | F   | 3.0.0       | 3.1.0 |
| RP-000023 | 25.142 | 004 | 1       | R99       | Conformance test description for performance requirements           | F   | 3.0.0       | 3.1.0 |
| RP-000023 | 25.142 | 005 |         | R99       | Protection outside a licensee's frequency block                     | F   | 3.0.0       | 3.1.0 |
| RP-000023 | 25.142 | 006 |         | R99       | ACLR                                                                | F   | 3.0.0       | 3.1.0 |
| RP-000023 | 25.142 | 007 |         | R99       | Corrected reference sensitivity value                               | F   | 3.0.0       | 3.1.0 |
| RP-000023 | 25.142 | 008 |         | R99       | Conformance test description for Tx spurious emissions              | F   | 3.0.0       | 3.1.0 |
| RP-000023 | 25.142 | 009 |         | R99       | Clause 5: General test conditions and declarations                  | F   | 3.0.0       | 3.1.0 |
| RP-000023 | 25.142 | 010 |         | R99       | Conformance test description for Primary CCPCH power                | F   | 3.0.0       | 3.1.0 |
| RP-000023 | 25.142 | 011 |         | R99       | Conformance test description for transmit OFF power                 | F   | 3.0.0       | 3.1.0 |
| RP-000023 | 25.142 | 012 |         | R99       | Conformance test description for Rx spurious emissions              | F   | 3.0.0       | 3.1.0 |

**Table F.2: CRs approved at TSG-RAN#8**

| Doc-1st-<br>Level | Spec   | CR  | R<br>e<br>v | Phas<br>e | Subject                                                                | Cat | Curre<br>nt | New   |
|-------------------|--------|-----|-------------|-----------|------------------------------------------------------------------------|-----|-------------|-------|
| RP-000212         | 25.142 | 013 |             | R99       | UL Reference Measurement Channels                                      | F   | 3.1.0       | 3.2.0 |
| RP-000212         | 25.142 | 014 |             | R99       | Regional requirements in TS 25.142                                     | F   | 3.1.0       | 3.2.0 |
| RP-000212         | 25.142 | 015 |             | R99       | Conformance test description for receiver dynamic range.               | F   | 3.1.0       | 3.2.0 |
| RP-000212         | 25.142 | 016 |             | R99       | Correction of the interfering power level for performance requirements | F   | 3.1.0       | 3.2.0 |
| RP-000212         | 25.142 | 017 |             | R99       | Definitions of maximum output power and rated output power             | F   | 3.1.0       | 3.2.0 |
| RP-000212         | 25.142 | 018 |             | R99       | Correction of blocking requirements                                    | F   | 3.1.0       | 3.2.0 |
| RP-000212         | 25.142 | 020 |             | R99       | Conformance test description for modulation accuracy                   | F   | 3.1.0       | 3.2.0 |
| RP-000212         | 25.142 | 021 |             | R99       | Modification to the handling of BS TDD Measurement Uncertainty         | F   | 3.1.0       | 3.2.0 |
| RP-000212         | 25.142 | 022 |             | R99       | Clarification of the specification on Peak Code Domain Error (PCDE)    | F   | 3.1.0       | 3.2.0 |
| RP-000212         | 25.142 | 023 |             | R99       | Relationship between RF generation and chip clock                      | F   | 3.1.0       | 3.2.0 |
| RP-000212         | 25.142 | 024 |             | R99       | Correction on Receiver tests, terminating RX port                      | F   | 3.1.0       | 3.2.0 |
| RP-000212         | 25.142 | 025 |             | R99       | Revision of Annex C: Global in-channel Tx test                         | F   | 3.1.0       | 3.2.0 |
| RP-000212         | 25.142 | 026 |             | R99       | Conformance test description for spectrum emission mask                | F   | 3.1.0       | 3.2.0 |
| RP-000212         | 25.142 | 027 |             | R99       | Test connection definition                                             | F   | 3.1.0       | 3.2.0 |

Table F.3: CRs approved at TSG-RAN#9

| Doc-1st-Level | Spec   | CR | R<br>e<br>v | Phase | Subject                                                                         | Cat | Current | New   |
|---------------|--------|----|-------------|-------|---------------------------------------------------------------------------------|-----|---------|-------|
| RP-000402     | 25.142 | 28 |             | R99   | Handling of measurement uncertainties in Base station conformance testing (TDD) | F   | 3.2.1   | 3.3.0 |
| RP-000402     | 25.142 | 29 |             | R99   | Conformance test description for maximum output power                           | F   | 3.2.1   | 3.3.0 |
| RP-000402     | 25.142 | 30 |             | R99   | Conformance test description for minimum transmit power                         | F   | 3.2.1   | 3.3.0 |
| RP-000402     | 25.142 | 31 |             | R99   | Conformance test description for power control steps                            | F   | 3.2.1   | 3.3.0 |
| RP-000402     | 25.142 | 32 |             | R99   | Conformance test description for spectrum emission mask                         | F   | 3.2.1   | 3.3.0 |
| RP-000402     | 25.142 | 33 |             | R99   | Corrections to spectrum mask                                                    | F   | 3.2.1   | 3.3.0 |
| RP-000402     | 25.142 | 34 |             | R99   | Conformance test description for modulation accuracy                            | F   | 3.2.1   | 3.3.0 |
| RP-000402     | 25.142 | 35 |             | R99   | Conformance test description for blocking characteristics                       | F   | 3.2.1   | 3.3.0 |
| RP-000402     | 25.142 | 36 |             | R99   | Conformance test description for performance requirements                       | F   | 3.2.1   | 3.3.0 |
| RP-000402     | 25.142 | 37 |             | R99   | Conformance test description for spectrum emission mask                         | F   | 3.2.1   | 3.3.0 |

Table F.4: CRs approved at TSG-RAN#10

| Doc-1st-Level | Spec   | CR | R<br>e<br>v | Phase | Subject                                                      | Cat | Current | New   |
|---------------|--------|----|-------------|-------|--------------------------------------------------------------|-----|---------|-------|
| RP-000594     | 25.142 | 38 |             | R99   | Clarifications for EVM definition                            | F   | 3.3.0   | 3.4.0 |
| RP-000594     | 25.142 | 39 |             | R99   | Conformance test description for frequency stability         | F   | 3.3.0   | 3.4.0 |
| RP-000594     | 25.142 | 40 |             | R99   | Conformance test description for inner loop power control    | F   | 3.3.0   | 3.4.0 |
| RP-000594     | 25.142 | 41 |             | R99   | Conformance test description for power control dynamic range | F   | 3.3.0   | 3.4.0 |
| RP-000594     | 25.142 | 42 |             | R99   | Conformance test description for transmit ON/OFF power       | F   | 3.3.0   | 3.4.0 |
| RP-000594     | 25.142 | 43 |             | R99   | Conformance test description for occupied bandwidth          | F   | 3.3.0   | 3.4.0 |
| RP-000594     | 25.142 | 44 |             | R99   | Conformance test description for performance requirements    | F   | 3.3.0   | 3.4.0 |
| RP-000594     | 25.142 | 45 |             | R99   | Editorial correction to ACLR test                            | F   | 3.3.0   | 3.4.0 |
| RP-000594     | 25.142 | 46 |             | R99   | Correction to reference measurement channels                 | F   | 3.3.0   | 3.4.0 |

Table F.5: Release 99 CRs approved at TSG-RAN#11

| RAN Doc   | Spec   | CR | R | Ph  | Subject                                                                                                                   | Cat | Curr  | New   |
|-----------|--------|----|---|-----|---------------------------------------------------------------------------------------------------------------------------|-----|-------|-------|
| RP-010093 | 25.142 | 47 |   | R99 | Correction of blocking test. Alignment with CR to 25.105.                                                                 | F   | 3.4.0 | 3.5.0 |
| RP-010093 | 25.142 | 48 |   | R99 | Handling of Test Tolerances - Clause 8 "Performance requirements"                                                         | F   | 3.4.0 | 3.5.0 |
| RP-010093 | 25.142 | 49 |   | R99 | Correction of the version number of Recommendation ITU-R SM.329 used as a reference for spurious emissions specifications | F   | 3.4.0 | 3.5.0 |
| RP-010093 | 25.142 | 50 |   | R99 | BS EVM definition                                                                                                         | F   | 3.4.0 | 3.5.0 |
| RP-010093 | 25.142 | 51 |   | R99 | Handling of Test Tolerances - Clause 5 "General test conditions and declarations"                                         | F   | 3.4.0 | 3.5.0 |
| RP-010093 | 25.142 | 52 |   | R99 | Handling of Test Tolerances - Clause 6 "Transmitter characteristics"                                                      | F   | 3.4.0 | 3.5.0 |
| RP-010093 | 25.142 | 53 |   | R99 | Handling of Test Tolerances - Clause 7 "Receiver characteristics"                                                         | F   | 3.4.0 | 3.5.0 |
| RP-010093 | 25.142 | 54 |   | R99 | Handling of Test Tolerances - Annexes                                                                                     | F   | 3.4.0 | 3.5.0 |
| RP-010093 | 25.142 | 55 |   | R99 | Conditions for BS conformance testing (TDD)                                                                               | F   | 3.4.0 | 3.5.0 |

**Table F.6: Release 4 CR approved at TSG-RAN#11**

| RAN Doc   | Spec   | CR | R | Ph | Subject                              | Cat | Curr  | New   |
|-----------|--------|----|---|----|--------------------------------------|-----|-------|-------|
| RP-010097 | 25.142 | 56 |   | R4 | BS Conformance testing for 1.28 Mcps | B   | 3.5.0 | 4.0.0 |

**Table F.7: Release 4 CRs approved at TSG-RAN#12**

| RAN Doc   | Spec   | CR | R | Ph    | Title                                                   | Cat | Curr  | New   |
|-----------|--------|----|---|-------|---------------------------------------------------------|-----|-------|-------|
| RP-010356 | 25.142 | 58 |   | Rel-4 | Application of blocking requirement                     | A   | 4.0.0 | 4.1.0 |
| RP-010366 | 25.142 | 59 |   | Rel-4 | clarification of transmit intermodulation requirements  | F   | 4.0.0 | 4.1.0 |
| RP-010366 | 25.142 | 60 |   | Rel-4 | CR on subclause 6.6.3 "Spurious emissions"              | F   | 4.0.0 | 4.1.0 |
| RP-010356 | 25.142 | 62 |   | Rel-4 | Correction of the upper frequency limit for Tx spurious | A   | 4.0.0 | 4.1.0 |
| RP-010366 | 25.142 | 63 |   | Rel-4 | Application of blocking requirement for 1.28 Mcps       | F   | 4.0.0 | 4.1.0 |
| RP-010366 | 25.142 | 64 |   | Rel-4 | BS EVM definition correction                            | F   | 4.0.0 | 4.1.0 |

**Table F.8: Release 4 CRs approved at TSG-RAN#13**

| RAN Tdoc  | Spec   | CR | R | Ph    | Title                                                                                  | Cat | Curr  | New   |
|-----------|--------|----|---|-------|----------------------------------------------------------------------------------------|-----|-------|-------|
| RP-010623 | 25.142 | 66 |   | Rel-4 | Clarification of AWGN interferer definition                                            | A   | 4.1.0 | 4.2.0 |
| RP-010623 | 25.142 | 68 |   | Rel-4 | Measurement uncertainty                                                                | A   | 4.1.0 | 4.2.0 |
| RP-010623 | 25.142 | 70 |   | Rel-4 | Receiver spurious emissions for co-located base stations                               | A   | 4.1.0 | 4.2.0 |
| RP-010623 | 25.142 | 72 |   | Rel-4 | CR to TS 25.142 Measurement uncertainty issues                                         | A   | 4.1.0 | 4.2.0 |
| RP-010623 | 25.142 | 74 |   | Rel-4 | Power and ACLR definition corrections                                                  | A   | 4.1.0 | 4.2.0 |
| RP-010623 | 25.142 | 76 |   | Rel-4 | Minimum transmit power test condition alignment with PC dynamic range test conditions. | A   | 4.1.0 | 4.2.0 |
| RP-010623 | 25.142 | 78 |   | Rel-4 | Correction of frequency range for receiver spurious emissions                          | A   | 4.1.0 | 4.2.0 |
| RP-010623 | 25.142 | 80 |   | Rel-4 | Definition of "classical Doppler spectrum"                                             | A   | 4.1.0 | 4.2.0 |
| RP-010633 | 25.142 | 81 |   | Rel-4 | Differential accuracy of P-CCPCH power                                                 | B   | 4.1.0 | 4.2.0 |
| RP-010633 | 25.142 | 82 |   | Rel-4 | Receiver spurious emissions for co-located base stations 1.28 Mcps TDD option          | F   | 4.1.0 | 4.2.0 |
| RP-010633 | 25.142 | 83 |   | Rel-4 | Correction of Test Requirements for Dynamic Range (1,28 Mcps TDD option)               | F   | 4.1.0 | 4.2.0 |
| RP-010633 | 25.142 | 84 |   | Rel-4 | Inclusion of test conditions for the 1,28 Mcps TDD option                              | F   | 4.1.0 | 4.2.0 |
| RP-010633 | 25.142 | 85 |   | Rel-4 | Power and ACLR definition corrections for 1.28 Mcps TDD option                         | F   | 4.1.0 | 4.2.0 |
| RP-010633 | 25.142 | 86 |   | Rel-4 | Correction of frequency range for receiver spurious emissions (1,28 Mcps TDD option)   | F   | 4.1.0 | 4.2.0 |



---

## History

| <b>Document history</b> |                |             |
|-------------------------|----------------|-------------|
| V4.0.0                  | April 2001     | Publication |
| V4.1.0                  | July 2001      | Publication |
| V4.2.0                  | September 2001 | Publication |
|                         |                |             |
|                         |                |             |