

# ETSI TS 125 213 V6.0.0 (2003-12)

---

*Technical Specification*

**Universal Mobile Telecommunications System (UMTS);  
Spreading and modulation (FDD)  
(3GPP TS 25.213 version 6.0.0 Release 6)**

---



---

Reference

RTS/TSGR-0125213v600

---

Keywords

UMTS

**ETSI**

650 Route des Lucioles  
F-06921 Sophia Antipolis Cedex - FRANCE

Tel.: +33 4 92 94 42 00 Fax: +33 4 93 65 47 16

Siret N° 348 623 562 00017 - NAF 742 C  
Association à but non lucratif enregistrée à la  
Sous-Préfecture de Grasse (06) N° 7803/88

---

**Important notice**

Individual copies of the present document can be downloaded from:

<http://www.etsi.org>

The present document may be made available in more than one electronic version or in print. In any case of existing or perceived difference in contents between such versions, the reference version is the Portable Document Format (PDF). In case of dispute, the reference shall be the printing on ETSI printers of the PDF version kept on a specific network drive within ETSI Secretariat.

Users of the present document should be aware that the document may be subject to revision or change of status. Information on the current status of this and other ETSI documents is available at

<http://portal.etsi.org/tb/status/status.asp>

If you find errors in the present document, send your comment to:

[editor@etsi.org](mailto:editor@etsi.org)

---

**Copyright Notification**

No part may be reproduced except as authorized by written permission.  
The copyright and the foregoing restriction extend to reproduction in all media.

© European Telecommunications Standards Institute 2003.  
All rights reserved.

**DECT**<sup>TM</sup>, **PLUGTESTS**<sup>TM</sup> and **UMTS**<sup>TM</sup> are Trade Marks of ETSI registered for the benefit of its Members.  
**TIPHON**<sup>TM</sup> and the **TIPHON logo** are Trade Marks currently being registered by ETSI for the benefit of its Members.  
**3GPP**<sup>TM</sup> is a Trade Mark of ETSI registered for the benefit of its Members and of the 3GPP Organizational Partners.

---

## Intellectual Property Rights

IPRs essential or potentially essential to the present document may have been declared to ETSI. The information pertaining to these essential IPRs, if any, is publicly available for **ETSI members and non-members**, and can be found in ETSI SR 000 314: *"Intellectual Property Rights (IPRs); Essential, or potentially Essential, IPRs notified to ETSI in respect of ETSI standards"*, which is available from the ETSI Secretariat. Latest updates are available on the ETSI Web server (<http://webapp.etsi.org/IPR/home.asp>).

Pursuant to the ETSI IPR Policy, no investigation, including IPR searches, has been carried out by ETSI. No guarantee can be given as to the existence of other IPRs not referenced in ETSI SR 000 314 (or the updates on the ETSI Web server) which are, or may be, or may become, essential to the present document.

---

## Foreword

This Technical Specification (TS) has been produced by ETSI 3rd Generation Partnership Project (3GPP).

The present document may refer to technical specifications or reports using their 3GPP identities, UMTS identities or GSM identities. These should be interpreted as being references to the corresponding ETSI deliverables.

The cross reference between GSM, UMTS, 3GPP and ETSI identities can be found under <http://webapp.etsi.org/key/queryform.asp>.

# Contents

Intellectual Property Rights .....	2
Foreword.....	2
Foreword.....	5
1 Scope .....	6
2 References .....	6
3 Symbols and abbreviations.....	6
3.1 Symbols.....	6
3.2 Abbreviations .....	7
4 Uplink spreading and modulation .....	7
4.1 Overview .....	7
4.2 Spreading.....	7
4.2.1 DPCCH/DPDCH/HS-DPCCH.....	7
4.2.2 PRACH.....	9
4.2.2.1 PRACH preamble part .....	9
4.2.2.2 PRACH message part.....	9
4.2.3 PCPCH.....	10
4.2.3.1 PCPCH preamble part.....	10
4.2.3.2 PCPCH message part .....	10
4.3 Code generation and allocation .....	11
4.3.1 Channelisation codes .....	11
4.3.1.1 Code definition.....	11
4.3.1.2 Code allocation for DPCCH/DPDCH/HS-DPCCH .....	12
4.3.1.3 Code allocation for PRACH message part .....	12
4.3.1.4 Code allocation for PCPCH message part.....	12
4.3.1.5 Channelisation code for PCPCH power control preamble .....	12
4.3.2 Scrambling codes .....	12
4.3.2.1 General .....	12
4.3.2.2 Long scrambling sequence .....	13
4.3.2.3 Short scrambling sequence.....	14
4.3.2.4 DPCCH/DPDCH/HS-DPCCH scrambling code.....	15
4.3.2.5 PRACH message part scrambling code.....	15
4.3.2.6 PCPCH message part scrambling code .....	16
4.3.2.7 PCPCH power control preamble scrambling code .....	16
4.3.3 PRACH preamble codes .....	16
4.3.3.1 Preamble code construction .....	16
4.3.3.2 Preamble scrambling code .....	16
4.3.3.3 Preamble signature .....	17
4.3.4 PCPCH preamble codes.....	17
4.3.4.1 Access preamble .....	17
4.3.4.1.1 Access preamble code construction.....	17
4.3.4.1.2 Access preamble scrambling code.....	17
4.3.4.1.3 Access preamble signature .....	18
4.3.4.2 CD preamble .....	18
4.3.4.2.1 CD preamble code construction .....	18
4.3.4.2.2 CD preamble scrambling code .....	18
4.3.4.2.3 CD preamble signature .....	18
4.4 Modulation .....	19
4.4.1 Modulating chip rate .....	19
4.4.2 Modulation.....	19
5 Downlink spreading and modulation .....	19
5.1 Spreading.....	19
5.2 Code generation and allocation .....	21
5.2.1 Channelisation codes .....	21

5.2.2	Scrambling code .....	22
5.2.3	Synchronisation codes .....	23
5.2.3.1	Code generation .....	23
5.2.3.2	Code allocation of SSC .....	24
5.3	Modulation .....	26
5.3.1	Modulating chip rate .....	26
5.3.2	Modulation.....	26
<b>Annex A (informative):</b>	<b>Generalised Hierarchical Golay Sequences.....</b>	<b>27</b>
A.1	Alternative generation .....	27
<b>Annex B (informative):</b>	<b>Change history .....</b>	<b>28</b>
History .....		29

---

# Foreword

This Technical Specification (TS) has been produced by the 3<sup>rd</sup> Generation Partnership Project (3GPP).

The contents of the present document are subject to continuing work within the TSG and may change following formal TSG approval. Should the TSG modify the contents of the present document, it will be re-released by the TSG with an identifying change of release date and an increase in version number as follows:

Version x.y.z

where:

- x the first digit:
  - 1 presented to TSG for information;
  - 2 presented to TSG for approval;
  - 3 or greater indicates TSG approved document under change control.
- y the second digit is incremented for all changes of substance, i.e. technical enhancements, corrections, updates, etc.
- z the third digit is incremented when editorial only changes have been incorporated in the document.

---

# 1 Scope

The present document describes spreading and modulation for UTRA Physical Layer FDD mode.

---

# 2 References

The following documents contain provisions which, through reference in this text, constitute provisions of the present document.

- References are either specific (identified by date of publication, edition number, version number, etc.) or non-specific.
- For a specific reference, subsequent revisions do not apply.
- For a non-specific reference, the latest version applies. In the case of a reference to a 3GPP document (including a GSM document), a non-specific reference implicitly refers to the latest version of that document *in the same Release as the present document*.

- [1] 3GPP TS 25.201: "Physical layer - general description".
- [2] 3GPP TS 25.211: "Physical channels and mapping of transport channels onto physical channels (FDD)."
- [3] 3GPP TS 25.101: "UE Radio transmission and Reception (FDD)".
- [4] 3GPP TS 25.104: "UTRA (BS) FDD; Radio transmission and Reception".
- [5] 3GPP TS 25.308: "UTRA High Speed Downlink Packet Access (HSDPA); Overall description".
- [6] 3GPP TS 25.214: "Physical layer procedures (FDD)".
- 

# 3 Symbols and abbreviations

## 3.1 Symbols

For the purposes of the present document, the following symbols apply:

$C_{ch,SF,n}$ :	$n$ :th channelisation code with spreading factor SF
$C_{pre,n,s}$ :	PRACH preamble code for $n$ :th preamble scrambling code and signature $s$
$C_{c-acc,n,s}$ :	PCPCH access preamble code for $n$ :th preamble scrambling code and signature $s$
$C_{c-cd,n,s}$ :	PCPCH CD preamble code for $n$ :th preamble scrambling code and signature $s$
$C_{sig,s}$ :	PRACH/PCPCH signature code for signature $s$
$S_{dpch,n}$ :	$n$ :th DPCCH/DPDCH uplink scrambling code
$S_{r-pre,n}$ :	$n$ :th PRACH preamble scrambling code
$S_{r-msg,n}$ :	$n$ :th PRACH message scrambling code
$S_{c-acc}$ :	$n$ :th PCPCH access preamble scrambling code
$S_{c-cd}$ :	$n$ :th PCPCH CD preamble scrambling code
$S_{c-msg,n}$ :	$n$ :th PCPCH message scrambling code
$S_{dl,n}$ :	DL scrambling code
$C_{psc}$ :	PSC code
$C_{ssc,n}$ :	$n$ :th SSC code

## 3.2 Abbreviations

For the purposes of the present document, the following abbreviations apply:

16QAM	16 Quadrature Amplitude Modulation
AICH	Acquisition Indicator Channel
AP	Access Preamble
BCH	Broadcast Control Channel
CCPCH	Common Control Physical Channel
CD	Collision Detection
CPCH	Common Packet Channel
CPICH	Common Pilot Channel
DCH	Dedicated Channel
DPCH	Dedicated Physical Channel
DPCCH	Dedicated Physical Control Channel
DPDCH	Dedicated Physical Data Channel
FDD	Frequency Division Duplex
HS-DPCCH	Dedicated Physical Control Channel (uplink) for HS-DSCH
HS-DSCH	High Speed Downlink Shared Channel
HS-PDSCH	High Speed Physical Downlink Shared Channel
HS-SCCH	Shared Control Physical Channel for HS-DSCH
Mcps	Mega Chip Per Second
OVSF	Orthogonal Variable Spreading Factor (codes)
PDSCH	Physical Dedicated Shared Channel
PICH	Page Indication Channel
PRACH	Physical Random Access Channel
PSC	Primary Synchronisation Code
RACH	Random Access Channel
SCH	Synchronisation Channel
SSC	Secondary Synchronisation Code
SF	Spreading Factor
UE	User Equipment

---

## 4 Uplink spreading and modulation

### 4.1 Overview

Spreading is applied to the physical channels. It consists of two operations. The first is the channelisation operation, which transforms every data symbol into a number of chips, thus increasing the bandwidth of the signal. The number of chips per data symbol is called the Spreading Factor (SF). The second operation is the scrambling operation, where a scrambling code is applied to the spread signal.

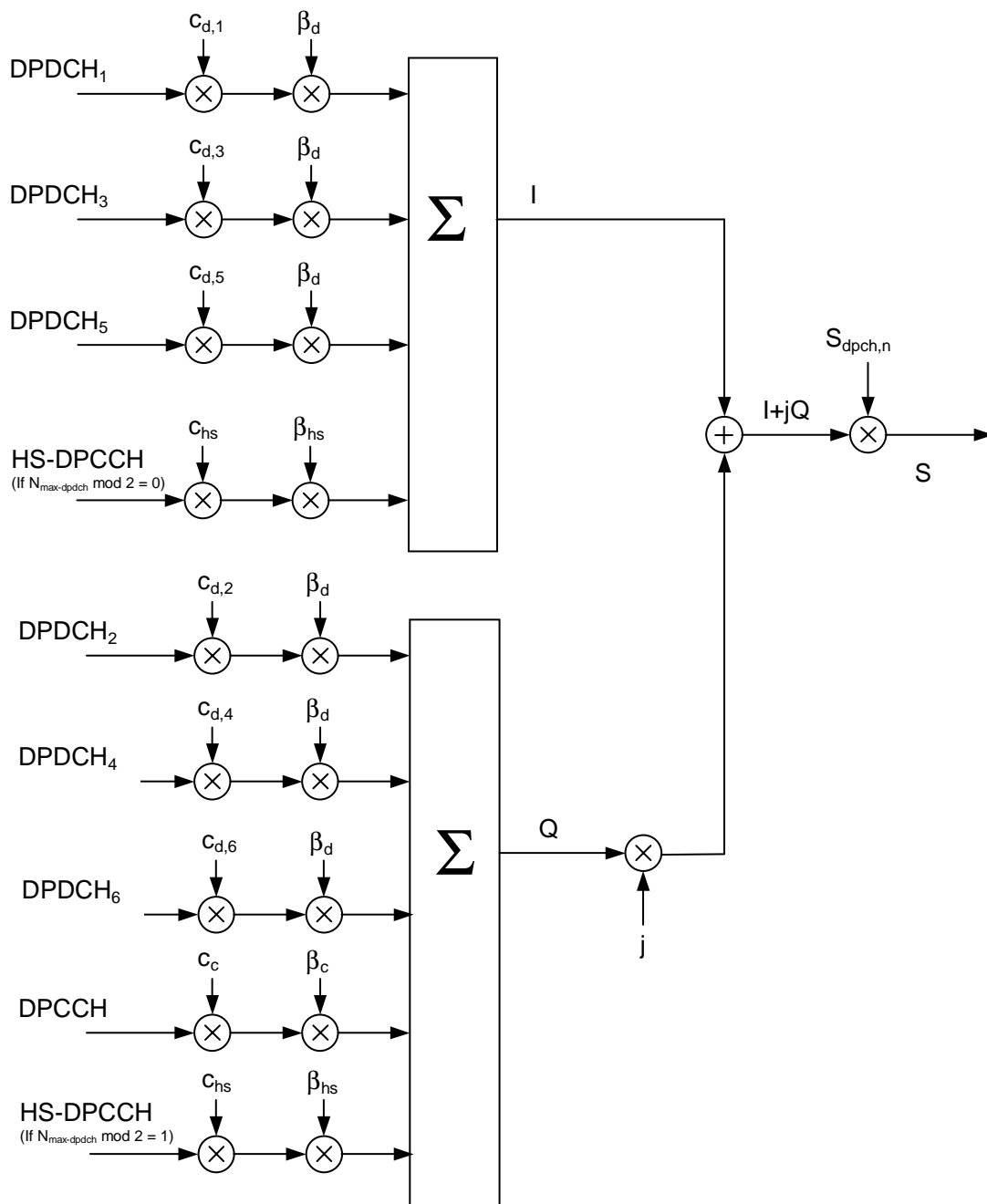
With the channelisation, data symbols on so-called I- and Q-branches are independently multiplied with an OVSF code. With the scrambling operation, the resultant signals on the I- and Q-branches are further multiplied by complex-valued scrambling code, where I and Q denote real and imaginary parts, respectively.

### 4.2 Spreading

#### 4.2.1 DPCCH/DPDCH/HS-DPCCH

Figure 1 illustrates the principle of the uplink spreading of DPCCH, DPDCHs and HS-DPCCH. The binary DPCCH, DPDCHs and HS-DPCCH to be spread are represented by real-valued sequences, i.e. the binary value "0" is mapped to the real value +1, the binary value "1" is mapped to the real value -1, and the value "DTX" (HS-DPCCH only) is mapped to the real value 0. The DPCCH is spread to the chip rate by the channelisation code  $c_c$ . The  $n$ :th DPDCH called  $DPDCH_n$  is spread to the chip rate by the channelisation code  $c_{d,n}$ . The HS-DPCCH is spread to the chip rate by the channelisation code  $c_{hs}$ . One DPCCH, up to six parallel DPDCHs, and one HS-DPCCH can be transmitted simultaneously, i.e.  $1 \leq n \leq 6$ .





**Figure 1: Spreading for uplink DPCCH, DPDCHs and HS-DPCCH**

After channelisation, the real-valued spread signals are weighted by gain factors,  $\beta_c$  for DPCCH,  $\beta_d$  for all DPDCHs and  $\beta_{hs}$  for HS-DPCCH (if one is active).

The  $\beta_c$  and  $\beta_d$  values are signalled by higher layers or calculated as described in [6] 5.1.2.5. At every instant in time, at least one of the values  $\beta_c$  and  $\beta_d$  has the amplitude 1.0. The  $\beta_c$  and  $\beta_d$  values are quantized into 4 bit words. The quantization steps are given in table 1.

**Table 1: The quantization of the gain parameters**

Signalling values for $\beta_c$ and $\beta_d$	Quantized amplitude ratios $\beta_c$ and $\beta_d$
15	1.0
14	14/15
13	13/15
12	12/15
11	11/15
10	10/15
9	9/15
8	8/15
7	7/15
6	6/15
5	5/15
4	4/15
3	3/15
2	2/15
1	1/15
0	Switch off

The  $\beta_{hs}$  value is derived from the power offset  $\Delta_{ACK}$ ,  $\Delta_{NACK}$  and  $\Delta_{CQI}$ , which are signalled by higher layers as described in [6] 5.1.2.5A.

The relative power offsets  $\Delta_{ACK}$ ,  $\Delta_{NACK}$  and  $\Delta_{CQI}$  are quantized into amplitude ratios as shown in Table 1A.

**Table 1A: The quantization of the power offset**

Signalling values for $\Delta_{ACK}$ , $\Delta_{NACK}$ and $\Delta_{CQI}$	Quantized amplitude ratios for $10^{\left(\frac{\Delta_{HS-DPCCH}}{20}\right)}$
8	30/15
7	24/15
6	19/15
5	15/15
4	12/15
3	9/15
2	8/15
1	6/15
0	5/15

After the weighting, the stream of real-valued chips on the I- and Q-branches are then summed and treated as a complex-valued stream of chips. This complex-valued signal is then scrambled by the complex-valued scrambling code  $S_{dpch,n}$ . The scrambling code is applied aligned with the radio frames, i.e. the first scrambling chip corresponds to the beginning of a radio frame. HS-DPCCH is mapped to the I branch in case that the maximum number of DPDCH over all the TFCs in the TFCs (defined as  $N_{max-dpdch}$ ) is even, and mapped to the Q branch otherwise. The I/Q mapping of HS-DPCCH is not changed due to frame-by-frame TFCI change or temporary TFC restrictions.

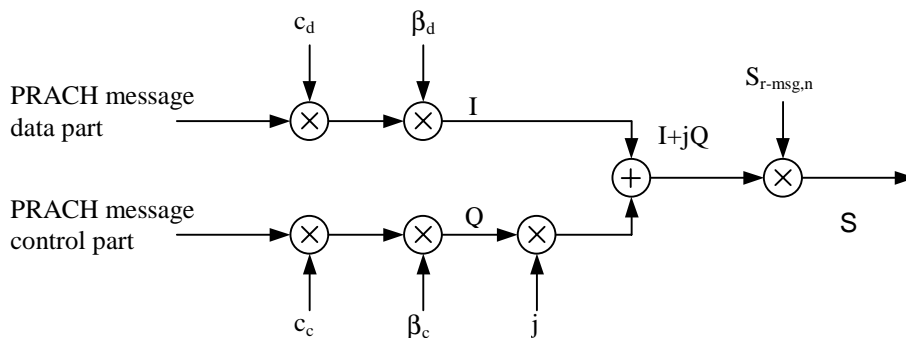
## 4.2.2 PRACH

### 4.2.2.1 PRACH preamble part

The PRACH preamble part consists of a complex-valued code, described in section 4.3.3.

### 4.2.2.2 PRACH message part

Figure 2 illustrates the principle of the spreading and scrambling of the PRACH message part, consisting of data and control parts. The binary control and data parts to be spread are represented by real-valued sequences, i.e. the binary value "0" is mapped to the real value +1, while the binary value "1" is mapped to the real value -1. The control part is spread to the chip rate by the channelisation code  $c_c$ , while the data part is spread to the chip rate by the channelisation code  $c_d$ .



**Figure 2: Spreading of PRACH message part**

After channelisation, the real-valued spread signals are weighted by gain factors,  $\beta_c$  for the control part and  $\beta_d$  for the data part. At every instant in time, at least one of the values  $\beta_c$  and  $\beta_d$  has the amplitude 1.0. The  $\beta$ -values are quantized into 4 bit words. The quantization steps are given in section 4.2.1.

After the weighting, the stream of real-valued chips on the I- and Q-branches are treated as a complex-valued stream of chips. This complex-valued signal is then scrambled by the complex-valued scrambling code  $S_{r\text{-msg},n}$ . The 10 ms scrambling code is applied aligned with the 10 ms message part radio frames, i.e. the first scrambling chip corresponds to the beginning of a message part radio frame.

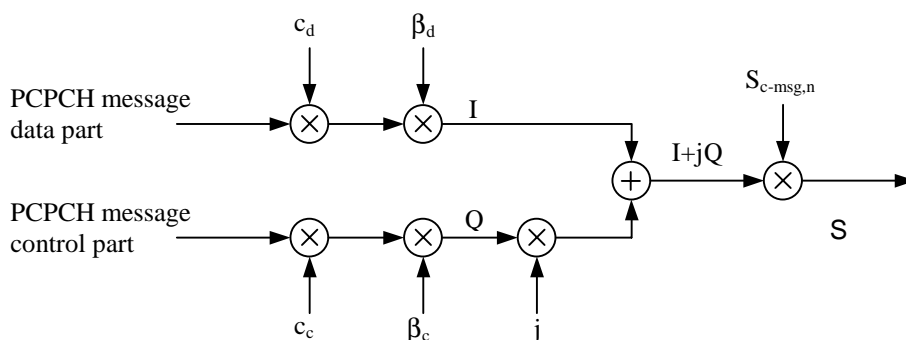
### 4.2.3 PCPCH

#### 4.2.3.1 PCPCH preamble part

The PCPCH preamble part consists of a complex-valued code, described in section 4.3.4.

#### 4.2.3.2 PCPCH message part

Figure 3 illustrates the principle of the spreading of the PCPCH message part, consisting of data and control parts. The binary control and data parts to be spread are represented by real-valued sequences, i.e. the binary value "0" is mapped to the real value +1, while the binary value "1" is mapped to the real value -1. The control part is spread to the chip rate by the channelisation code  $c_c$ , while the data part is spread to the chip rate by the channelisation code  $c_d$ .



**Figure 3: Spreading of PCPCH message part**

After channelisation, the real-valued spread signals are weighted by gain factors,  $\beta_c$  for the control part and  $\beta_d$  for the data part. At every instant in time, at least one of the values  $\beta_c$  and  $\beta_d$  has the amplitude 1.0. The  $\beta$ -values are quantized into 4 bit words. The quantization steps are given in section 4.2.1.

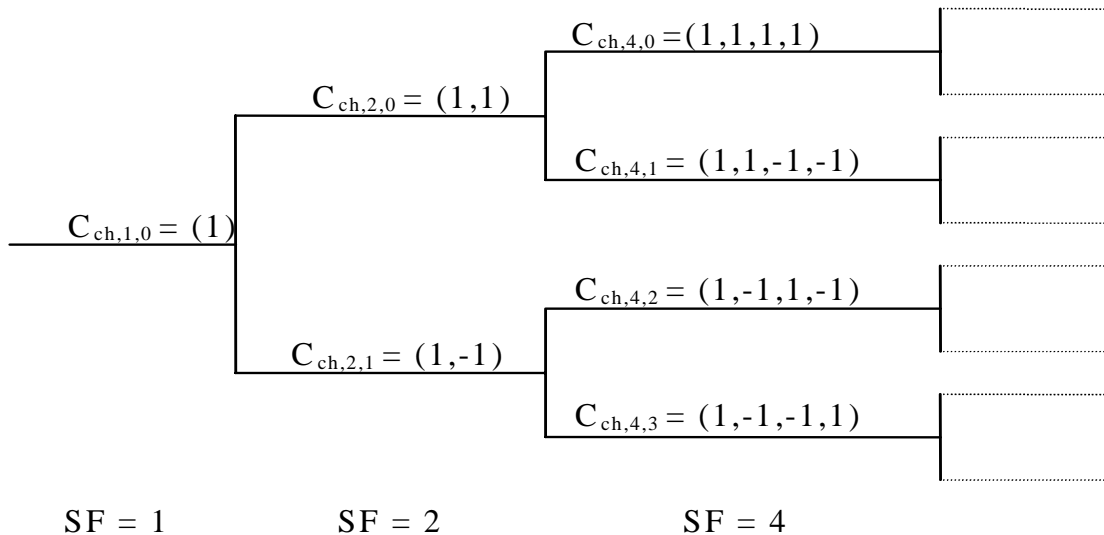
After the weighting, the stream of real-valued chips on the I- and Q-branches are treated as a complex-valued stream of chips. This complex-valued signal is then scrambled by the complex-valued scrambling code  $S_{c\text{-msg},n}$ . The 10 ms scrambling code is applied aligned with the 10 ms message part radio frames, i.e. the first scrambling chip corresponds to the beginning of a message part radio frame.

### 4.3 Code generation and allocation

#### 4.3.1 Channelisation codes

##### 4.3.1.1 Code definition

The channelisation codes of figure 1 are Orthogonal Variable Spreading Factor (OVSF) codes that preserve the orthogonality between a user's different physical channels. The OVSF codes can be defined using the code tree of figure 4.



**Figure 4: Code-tree for generation of Orthogonal Variable Spreading Factor (OVSF) codes**

In figure 4, the channelisation codes are uniquely described as  $C_{ch,SF,k}$ , where SF is the spreading factor of the code and  $k$  is the code number,  $0 \leq k \leq SF-1$ .

Each level in the code tree defines channelisation codes of length SF, corresponding to a spreading factor of SF in figure 4.

The generation method for the channelisation code is defined as:

$$C_{ch,1,0} = 1,$$

$$\begin{bmatrix} C_{ch,2,0} \\ C_{ch,2,1} \end{bmatrix} = \begin{bmatrix} C_{ch,1,0} & C_{ch,1,0} \\ C_{ch,1,0} & -C_{ch,1,0} \end{bmatrix} = \begin{bmatrix} 1 & 1 \\ 1 & -1 \end{bmatrix}$$

$$\begin{bmatrix} C_{ch,2^{(n+1)},0} \\ C_{ch,2^{(n+1)},1} \\ C_{ch,2^{(n+1)},2} \\ C_{ch,2^{(n+1)},3} \\ \vdots \\ C_{ch,2^{(n+1)},2^{(n+1)}-2} \\ C_{ch,2^{(n+1)},2^{(n+1)}-1} \end{bmatrix} = \begin{bmatrix} C_{ch,2^n,0} & C_{ch,2^n,0} \\ C_{ch,2^n,0} & -C_{ch,2^n,0} \\ C_{ch,2^n,1} & C_{ch,2^n,1} \\ C_{ch,2^n,1} & -C_{ch,2^n,1} \\ \vdots & \vdots \\ C_{ch,2^n,2^n-1} & C_{ch,2^n,2^n-1} \\ C_{ch,2^n,2^n-1} & -C_{ch,2^n,2^n-1} \end{bmatrix}$$

The leftmost value in each channelisation code word corresponds to the chip transmitted first in time.

#### 4.3.1.2 Code allocation for DPCCH/DPDCH/HS-DPCCH

For the DPCCH, DPDCHs and HS-DPCCH the following applies:

- The DPCCH is always spread by code  $c_c = C_{ch,256,0}$ .
- The HS-DPCCH is spread by code  $C_{ch}$  written in table 1A.

**Table 1A: channelization code of HS-DPCCH**

Nmax-dpdch (as defined in subclause 4.2.1)	Channelization code $C_{ch}$
1	$C_{ch,256,64}$
2,4,6	$C_{ch,256,1}$
3,5	$C_{ch,256,32}$

- When only one DPDCH is to be transmitted,  $DPDCH_1$  is spread by code  $c_{d,1} = C_{ch,SF,k}$  where SF is the spreading factor of  $DPDCH_1$  and  $k = SF / 4$ .
- When more than one DPDCH is to be transmitted, all DPDCHs have spreading factors equal to 4.  $DPDCH_n$  is spread by the code  $c_{d,n} = C_{ch,4,k}$ , where  $k = 1$  if  $n \in \{1, 2\}$ ,  $k = 3$  if  $n \in \{3, 4\}$ , and  $k = 2$  if  $n \in \{5, 6\}$ .

If a power control preamble is used to initialise a DCH, the channelisation code for the DPCCH during the power control preamble shall be the same as that to be used afterwards.

#### 4.3.1.3 Code allocation for PRACH message part

The preamble signature  $s$ ,  $0 \leq s \leq 15$ , points to one of the 16 nodes in the code-tree that corresponds to channelisation codes of length 16. The sub-tree below the specified node is used for spreading of the message part. The control part is spread with the channelisation code  $c_c$  (as shown in section 4.2.2.2) of spreading factor 256 in the lowest branch of the sub-tree, i.e.  $c_c = C_{ch,256,m}$  where  $m = 16 \times s + 15$ . The data part uses any of the channelisation codes from spreading factor 32 to 256 in the upper-most branch of the sub-tree. To be exact, the data part is spread by channelisation code  $c_d = C_{ch,SF,m}$  and SF is the spreading factor used for the data part and  $m = SF \times s / 16$ .

#### 4.3.1.4 Code allocation for PCPCH message part

For the control part and data part the following applies:

- The control part is always spread by code  $c_c = C_{ch,256,0}$ .
- The data part is spread by code  $c_d = C_{ch,SF,k}$  where SF is the spreading factor of the data part and  $k = SF / 4$ .

The data part may use the code from spreading factor 4 to 256. A UE is allowed to increase SF during the message transmission on a frame by frame basis.

#### 4.3.1.5 Channelisation code for PCPCH power control preamble

The channelisation code for the PCPCH power control preamble is the same as that used for the control part of the message part, as described in section 4.3.1.4 above.

### 4.3.2 Scrambling codes

#### 4.3.2.1 General

All uplink physical channels are subjected to scrambling with a complex-valued scrambling code. The DPCCH/DPDCH/HS-DPCCH may be scrambled by either long or short scrambling codes, defined in section 4.3.2.4. The PRACH message part is scrambled with a long scrambling code, defined in section 4.3.2.5. Also the PCPCH message part is scrambled with a long scrambling code, defined in section 4.3.2.6.

There are  $2^{24}$  long and  $2^{24}$  short uplink scrambling codes. Uplink scrambling codes are assigned by higher layers.

The long scrambling code is built from constituent long sequences defined in section 4.3.2.2, while the constituent short sequences used to build the short scrambling code are defined in section 4.3.2.3.

#### 4.3.2.2 Long scrambling sequence

The long scrambling sequences  $c_{\text{long},1,n}$  and  $c_{\text{long},2,n}$  are constructed from position wise modulo 2 sum of 38400 chip segments of two binary  $m$ -sequences generated by means of two generator polynomials of degree 25. Let  $x$ , and  $y$  be the two  $m$ -sequences respectively. The  $x$  sequence is constructed using the primitive (over GF(2)) polynomial  $X^{25}+X^3+1$ . The  $y$  sequence is constructed using the polynomial  $X^{25}+X^3+X^2+X+1$ . The resulting sequences thus constitute segments of a set of Gold sequences.

The sequence  $c_{\text{long},2,n}$  is a 16777232 chip shifted version of the sequence  $c_{\text{long},1,n}$ .

Let  $n_{23} \dots n_0$  be the 24 bit binary representation of the scrambling sequence number  $n$  with  $n_0$  being the least significant bit. The  $x$  sequence depends on the chosen scrambling sequence number  $n$  and is denoted  $x_n$ , in the sequel. Furthermore, let  $x_n(i)$  and  $y(i)$  denote the  $i$ :th symbol of the sequence  $x_n$  and  $y$ , respectively.

The  $m$ -sequences  $x_n$  and  $y$  are constructed as:

Initial conditions:

- $x_n(0)=n_0, x_n(1)=n_1, \dots, x_n(22)=n_{22}, x_n(23)=n_{23}, x_n(24)=1$ .
- $y(0)=y(1)=\dots=y(23)=y(24)=1$ .

Recursive definition of subsequent symbols:

- $x_n(i+25)=x_n(i+3)+x_n(i)$  modulo 2,  $i=0, \dots, 2^{25}-27$ .
- $y(i+25)=y(i+3)+y(i+2)+y(i+1)+y(i)$  modulo 2,  $i=0, \dots, 2^{25}-27$ .

Define the binary Gold sequence  $z_n$  by:

- $z_n(i)=x_n(i)+y(i)$  modulo 2,  $i=0, 1, 2, \dots, 2^{25}-2$ .

The real valued Gold sequence  $Z_n$  is defined by:

$$Z_n(i) = \begin{cases} +1 & \text{if } z_n(i) = 0 \\ -1 & \text{if } z_n(i) = 1 \end{cases} \quad \text{for } i = 0, 1, \dots, 2^{25} - 2.$$

Now, the real-valued long scrambling sequences  $c_{\text{long},1,n}$  and  $c_{\text{long},2,n}$  are defined as follows:

$$c_{\text{long},1,n}(i) = Z_n(i), \quad i = 0, 1, 2, \dots, 2^{25} - 2 \text{ and}$$

$$c_{\text{long},2,n}(i) = Z_n((i + 16777232) \text{ modulo } (2^{25} - 1)), \quad i = 0, 1, 2, \dots, 2^{25} - 2.$$

Finally, the complex-valued long scrambling sequence  $C_{\text{long},n}$  is defined as:

$$C_{\text{long},n}(i) = c_{\text{long},1,n}(i) \left( 1 + j(-1)^i c_{\text{long},2,n}(2 \lfloor i/2 \rfloor) \right)$$

where  $i = 0, 1, \dots, 2^{25} - 2$  and  $\lfloor \cdot \rfloor$  denotes rounding to nearest lower integer.

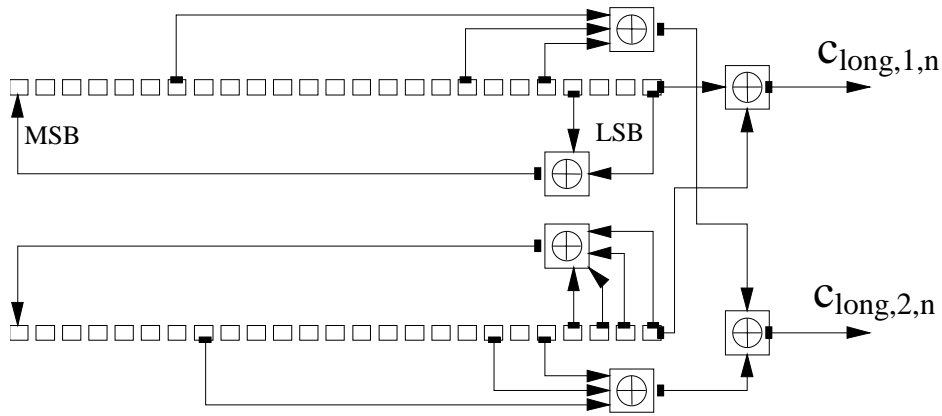


Figure 5: Configuration of uplink scrambling sequence generator

### 4.3.2.3 Short scrambling sequence

The short scrambling sequences  $c_{short,1,n}(i)$  and  $c_{short,2,n}(i)$  are defined from a sequence from the family of periodically extended S(2) codes.

Let  $n_{23}n_{22}...n_0$  be the 24 bit binary representation of the code number  $n$ .

The  $n$ :th quaternary S(2) sequence  $z_n(i)$ ,  $0 \leq i \leq 16777215$ , is obtained by modulo 4 addition of three sequences, a quaternary sequence  $a(i)$  and two binary sequences  $b(i)$  and  $d(i)$ , where the initial loading of the three sequences is determined from the code number  $n$ . The sequence  $z_n(i)$  of length 255 is generated according to the following relation:

$$z_n(i) = a(i) + 2b(i) + 2d(i) \text{ modulo } 4, i = 0, 1, \dots, 254;$$

where the quaternary sequence  $a(i)$  is generated recursively by the polynomial  $g_0(x) = x^8 + x^5 + 3x^3 + x^2 + 2x + 1$  as:

- $a(0) = 2n_0 + 1 \text{ modulo } 4;$
- $a(i) = 2n_i \text{ modulo } 4, i = 1, 2, \dots, 7;$
- $a(i) = 3a(i-3) + a(i-5) + 3a(i-6) + 2a(i-7) + 3a(i-8) \text{ modulo } 4, i = 8, 9, \dots, 254;$

and the binary sequence  $b(i)$  is generated recursively by the polynomial  $g_1(x) = x^8 + x^7 + x^5 + x + 1$  as

$$b(i) = n_{8+i} \text{ modulo } 2, i = 0, 1, \dots, 7,$$

$$b(i) = b(i-1) + b(i-3) + b(i-7) + b(i-8) \text{ modulo } 2, i = 8, 9, \dots, 254,$$

and the binary sequence  $d(i)$  is generated recursively by the polynomial  $g_2(x) = x^8 + x^7 + x^5 + x^4 + 1$  as:

$$d(i) = n_{16+i} \text{ modulo } 2, i = 0, 1, \dots, 7;$$

$$d(i) = d(i-1) + d(i-3) + d(i-4) + d(i-8) \text{ modulo } 2, i = 8, 9, \dots, 254.$$

The sequence  $z_n(i)$  is extended to length 256 chips by setting  $z_n(255) = z_n(0)$ .

The mapping from  $z_n(i)$  to the real-valued binary sequences  $c_{short,1,n}(i)$  and  $c_{short,2,n}(i)$ ,  $i = 0, 1, \dots, 255$  is defined in Table 2.

Table 2: Mapping from  $z_n(i)$  to  $c_{short,1,n}(i)$  and  $c_{short,2,n}(i)$ ,  $i = 0, 1, \dots, 255$

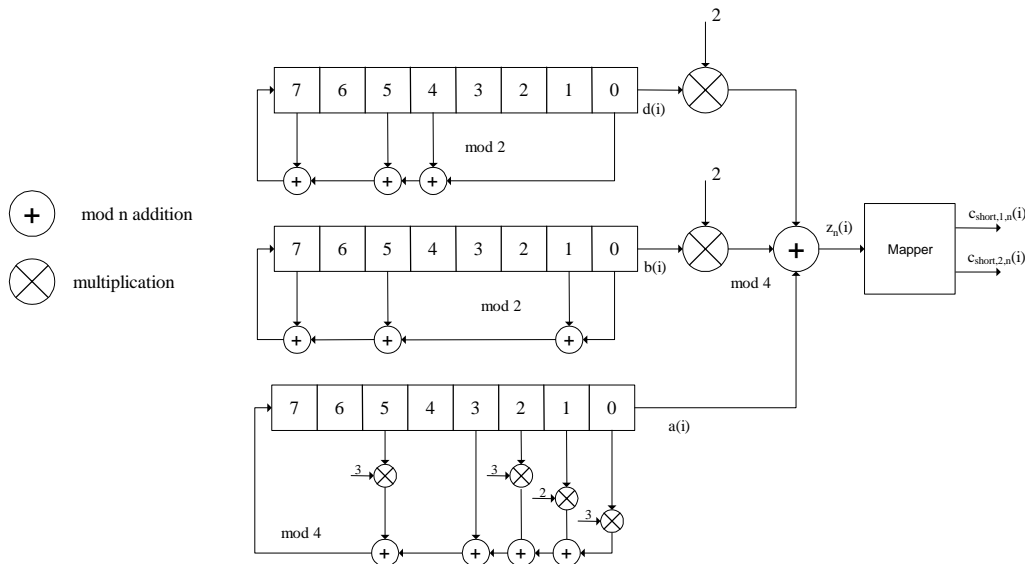
$z_n(i)$	$c_{short,1,n}(i)$	$c_{short,2,n}(i)$
0	+1	+1
1	-1	+1
2	-1	-1
3	+1	-1

Finally, the complex-valued short scrambling sequence  $C_{short,n}$ , is defined as:

$$C_{short,n}(i) = c_{short,1,n}(i \bmod 256) \left( 1 + j(-1)^i c_{short,2,n} \left( 2 \lfloor (i \bmod 256) / 2 \rfloor \right) \right)$$

where  $i = 0, 1, 2, \dots$  and  $\lfloor \cdot \rfloor$  denotes rounding to nearest lower integer.

An implementation of the short scrambling sequence generator for the 255 chip sequence to be extended by one chip is shown in Figure 6.



**Figure 6: Uplink short scrambling sequence generator for 255 chip sequence**

#### 4.3.2.4 DPCCH/DPDCH/HS-DPCCH scrambling code

The code used for scrambling of the uplink DPCCH/DPDCH/HS-DPCCH may be of either long or short type. When the scrambling code is formed, different constituent codes are used for the long and short type as defined below.

The  $n$ :th uplink scrambling code for DPCCH/DPDCH/HS-DPCCH, denoted  $S_{dpch,n}$ , is defined as:

$$S_{dpch,n}(i) = C_{long,n}(i), \quad i = 0, 1, \dots, 38399, \text{ when using long scrambling codes;}$$

where the lowest index corresponds to the chip transmitted first in time and  $C_{long,n}$  is defined in section 4.3.2.2.

The  $n$ :th uplink scrambling code for DPCCH/DPDCH/HS-DPCCH, denoted  $S_{dpch,n}$ , is defined as:

$$S_{dpch,n}(i) = C_{short,n}(i), \quad i = 0, 1, \dots, 38399, \text{ when using short scrambling codes;}$$

where the lowest index corresponds to the chip transmitted first in time and  $C_{short,n}$  is defined in section 4.3.2.3.

#### 4.3.2.5 PRACH message part scrambling code

The scrambling code used for the PRACH message part is 10 ms long, and there are 8192 different PRACH scrambling codes defined.

The  $n$ :th PRACH message part scrambling code, denoted  $S_{r-msg,n}$ , where  $n = 0, 1, \dots, 8191$ , is based on the long scrambling sequence and is defined as:

$$S_{r-msg,n}(i) = C_{long,n}(i + 4096), \quad i = 0, 1, \dots, 38399$$

where the lowest index corresponds to the chip transmitted first in time and  $C_{long,n}$  is defined in section 4.3.2.2.



The message part scrambling code has a one-to-one correspondence to the scrambling code used for the preamble part. For one PRACH, the same code number is used for both scrambling codes, i.e. if the PRACH preamble scrambling code used is  $S_{r\text{-pre},m}$  then the PRACH message part scrambling code is  $S_{r\text{-msg},m}$ , where the number  $m$  is the same for both codes.

#### 4.3.2.6 PCPCH message part scrambling code

The set of scrambling codes used for the PCPCH message part are 10 ms long, cell-specific, and each scrambling code has a one-to-one correspondence to the signature sequence and the access sub-channel used by the access preamble part. Both long or short scrambling codes can be used to scramble the PCPCH message part. There are 64 uplink scrambling codes defined per cell and 32768 different PCPCH scrambling codes defined in the system.

The  $n$ :th PCPCH message part scrambling code, denoted  $S_{c\text{-msg},n}$ , where  $n = 8192, 8193, \dots, 40959$  is based on the scrambling sequence and is defined as:

In the case when the long scrambling codes are used:

$$S_{c\text{-msg},n}(i) = C_{\text{long},n}(i), \quad i = 0, 1, \dots, 38399$$

where the lowest index corresponds to the chip transmitted first in time and  $C_{\text{long},n}$  is defined in section 4.3.2.2.

In the case the short scrambling codes are used:

$$S_{c\text{-msg},n}(i) = C_{\text{short},n}(i), \quad i = 0, 1, \dots, 38399$$

The 32768 PCPCH scrambling codes are divided into 512 groups with 64 codes in each group. There is a one-to-one correspondence between the group of PCPCH preamble scrambling codes in a cell and the primary scrambling code used in the downlink of the cell. The  $k$ :th PCPCH scrambling code within the cell with downlink primary scrambling code  $m$ ,  $k = 16, 17, \dots, 79$  and  $m = 0, 1, 2, \dots, 511$ , is  $S_{c\text{-msg},n}$  as defined above with  $n = 64 \times m + k + 8176$ .

#### 4.3.2.7 PCPCH power control preamble scrambling code

The scrambling code for the PCPCH power control preamble is the same as for the PCPCH message part, as described in section 4.3.2.6 above. The phase of the scrambling code shall be such that the end of the code is aligned with the frame boundary at the end of the power control preamble.

### 4.3.3 PRACH preamble codes

#### 4.3.3.1 Preamble code construction

The random access preamble code  $C_{\text{pre},n}$  is a complex valued sequence. It is built from a preamble scrambling code  $S_{r\text{-pre},n}$  and a preamble signature  $C_{\text{sig},s}$  as follows:

$$C_{\text{pre},n,s}(k) = S_{r\text{-pre},n}(k) \times C_{\text{sig},s}(k) \times e^{j\left(\frac{\pi}{4} + \frac{\pi}{2}k\right)}, \quad k = 0, 1, 2, 3, \dots, 4095;$$

where  $k=0$  corresponds to the chip transmitted first in time and  $S_{r\text{-pre},n}$  and  $C_{\text{sig},s}$  are defined in 4.3.3.2 and 4.3.3.3 below respectively.

#### 4.3.3.2 Preamble scrambling code

The scrambling code for the PRACH preamble part is constructed from the long scrambling sequences. There are 8192 PRACH preamble scrambling codes in total.

The  $n$ :th preamble scrambling code,  $n = 0, 1, \dots, 8191$ , is defined as:

$$S_{r\text{-pre},n}(i) = c_{\text{long},1,n}(i), \quad i = 0, 1, \dots, 4095;$$

where the sequence  $c_{\text{long},1,n}$  is defined in section 4.3.2.2.

The 8192 PRACH preamble scrambling codes are divided into 512 groups with 16 codes in each group. There is a one-to-one correspondence between the group of PRACH preamble scrambling codes in a cell and the primary scrambling code used in the downlink of the cell. The  $k$ :th PRACH preamble scrambling code within the cell with downlink primary scrambling code  $m$ ,  $k = 0, 1, 2, \dots, 15$  and  $m = 0, 1, 2, \dots, 511$ , is  $S_{r\text{-pre},n}(i)$  as defined above with  $n = 16 \times m + k$ .

### 4.3.3.3 Preamble signature

The preamble signature corresponding to a signature  $s$  consists of 256 repetitions of a length 16 signature  $P_s(n)$ ,  $n=0\dots 15$ . This is defined as follows:

$$- C_{\text{sig},s}(i) = P_s(i \text{ modulo } 16), i = 0, 1, \dots, 4095.$$

The signature  $P_s(n)$  is from the set of 16 Hadamard codes of length 16. These are listed in table 3.

**Table 3: Preamble signatures**

Preamble signature	Value of $n$															
	0	1	2	3	4	5	6	7	8	9	10	11	12	13	14	15
$P_0(n)$	1	1	1	1	1	1	1	1	1	1	1	1	1	1	1	1
$P_1(n)$	1	-1	1	-1	1	-1	1	-1	1	-1	1	-1	1	-1	1	-1
$P_2(n)$	1	1	-1	-1	1	1	-1	-1	1	1	-1	-1	1	1	-1	-1
$P_3(n)$	1	-1	-1	1	1	-1	-1	1	1	-1	-1	1	1	-1	-1	1
$P_4(n)$	1	1	1	1	-1	-1	-1	-1	1	1	1	1	-1	-1	-1	-1
$P_5(n)$	1	-1	1	-1	-1	1	-1	1	1	-1	1	-1	-1	1	-1	1
$P_6(n)$	1	1	-1	-1	-1	-1	1	1	1	1	-1	-1	-1	-1	1	1
$P_7(n)$	1	-1	-1	1	-1	1	1	-1	1	-1	-1	1	-1	1	1	-1
$P_8(n)$	1	1	1	1	1	1	1	1	-1	-1	-1	-1	-1	-1	-1	-1
$P_9(n)$	1	-1	1	-1	1	-1	1	-1	-1	1	-1	1	-1	1	-1	1
$P_{10}(n)$	1	1	-1	-1	1	1	-1	-1	-1	-1	1	1	-1	-1	1	1
$P_{11}(n)$	1	-1	-1	1	1	-1	-1	1	-1	1	1	-1	-1	1	1	-1
$P_{12}(n)$	1	1	1	1	-1	-1	-1	-1	-1	-1	-1	-1	1	1	1	1
$P_{13}(n)$	1	-1	1	-1	-1	1	-1	1	-1	1	-1	1	1	-1	1	-1
$P_{14}(n)$	1	1	-1	-1	-1	-1	1	1	-1	-1	1	1	1	1	-1	-1
$P_{15}(n)$	1	-1	-1	1	-1	1	1	-1	-1	1	1	-1	1	-1	-1	1

## 4.3.4 PCPCH preamble codes

### 4.3.4.1 Access preamble

#### 4.3.4.1.1 Access preamble code construction

Similar to PRACH access preamble codes, the PCPCH access preamble codes  $C_{c\text{-acc},n,s}$  are complex valued sequences. The PCPCH access preamble codes are built from the preamble scrambling codes  $S_{c\text{-acc},n}$  and a preamble signature  $C_{\text{sig},s}$  as follows:

$$- C_{c\text{-acc},n,s}(k) = S_{c\text{-acc},n}(k) \times C_{\text{sig},s}(k) \times e^{j\left(\frac{\pi}{4} + \frac{\pi}{2}k\right)}, k = 0, 1, 2, 3, \dots, 4095;$$

- where  $S_{c\text{-acc},n}$  and  $C_{\text{sig},s}$  are defined in section 4.3.4.1.2 and 4.3.4.1.3 below respectively.

#### 4.3.4.1.2 Access preamble scrambling code

The scrambling code for the PCPCH preamble part is constructed from the long scrambling sequences. There are 40960 PCPCH access preamble scrambling codes in total.

The  $n$ :th PCPCH access preamble scrambling code, where  $n = 0, \dots, 40959$  is defined as:

$$- S_{c\text{-acc},n}(i) = c_{\text{long},1,n}(i), i = 0, 1, \dots, 4095;$$

where the sequence  $c_{\text{long},1,n}$  is defined in section 4.3.2.2.

The 40960 PCPCH access preamble scrambling codes are divided into 512 groups with 80 codes in each group. There is a one-to-one correspondence between the group of PCPCH access preamble scrambling codes in a cell and the primary scrambling code used in the downlink of the cell. The  $k$ :th PCPCH scrambling code within the cell with downlink primary scrambling code  $m$ , for  $k = 0, \dots, 79$  and  $m = 0, 1, 2, \dots, 511$ , is  $S_{c\text{-acc}, n}$  as defined above with  $n = 16 \times m + k$  for  $k = 0, \dots, 15$  and  $n = 64 \times m + (k - 16) + 8192$  for  $k = 16, \dots, 79$ .

The index  $k = 0, \dots, 15$  may only be used as a PCPCH access preamble part scrambling code if the same code is also used for a PRACH.

The index  $k = 16, \dots, 79$  correspond to PCPCH access preamble scrambling codes which are not shared together with a PRACH. This leads to 32768 PCPCH specific preamble scrambling codes divided into 512 groups with 64 elements.

#### 4.3.4.1.3 Access preamble signature

The access preamble part of the CPCH-access burst carries one of the sixteen different orthogonal complex signatures identical to the ones used by the preamble part of the random-access burst.

#### 4.3.4.2 CD preamble

##### 4.3.4.2.1 CD preamble code construction

Similar to PRACH access preamble codes, the PCPCH CD preamble codes  $C_{c\text{-cd}, n, s}$  are complex valued sequences. The PCPCH CD preamble codes are built from the preamble scrambling codes  $S_{c\text{-cd}, n}$  and a preamble signature  $C_{\text{sig}, s}$  as follows:

$$- C_{c\text{-cd}, n, s}(k) = S_{c\text{-cd}, n}(k) \times C_{\text{sig}, s}(k) \times e^{j\left(\frac{\pi}{4} + \frac{\pi}{2}k\right)}, k = 0, 1, 2, 3, \dots, 4095;$$

where  $S_{c\text{-cd}, n}$  and  $C_{\text{sig}, s}$  are defined in sections 4.3.4.2.2 and 4.3.4.2.3 below respectively.

##### 4.3.4.2.2 CD preamble scrambling code

There are 40960 PCPCH-CD preamble scrambling codes in total.

The  $n$ :th PCPCH CD access preamble scrambling code, where  $n = 0, \dots, 40959$ , is defined as:

$$- S_{c\text{-cd}, n}(i) = c_{\text{long}, 1, n}(i), i = 0, 1, \dots, 4095;$$

where the sequence  $c_{\text{long}, 1, n}$  is defined in section 4.3.2.2.

The 40960 PCPCH scrambling codes are divided into 512 groups with 80 codes in each group. There is a one-to-one correspondence between the group of PCPCH CD preamble scrambling codes in a cell and the primary scrambling code used in the downlink of the cell. The  $k$ :th PCPCH scrambling code within the cell with downlink primary scrambling code  $m$ ,  $k = 0, 1, \dots, 79$  and  $m = 0, 1, 2, \dots, 511$ , is  $S_{c\text{-cd}, n}$  as defined above with  $n = 16 \times m + k$  for  $k = 0, \dots, 15$  and  $n = 64 \times m + (k - 16) + 8192$  for  $k = 16, \dots, 79$ .

The index  $k = 0, \dots, 15$  may only be used as a PCPCH CD preamble part scrambling code if the same code is also used for a PRACH.

The index  $k = 16, \dots, 79$  correspond to PCPCH CD preamble scrambling codes which are not shared together with a PRACH. This leads to 32768 PCPCH specific preamble scrambling codes divided into 512 groups with 64 elements.

##### 4.3.4.2.3 CD preamble signature

The CD-preamble part of the CPCH-access burst carries one of sixteen different orthogonal complex signatures identical to the ones used by the preamble part of the random-access burst.

## 4.4 Modulation

### 4.4.1 Modulating chip rate

The modulating chip rate is 3.84 Mcps.

### 4.4.2 Modulation

Modulation of the complex-valued chip sequence generated by the spreading process is shown in Figure 7 below:

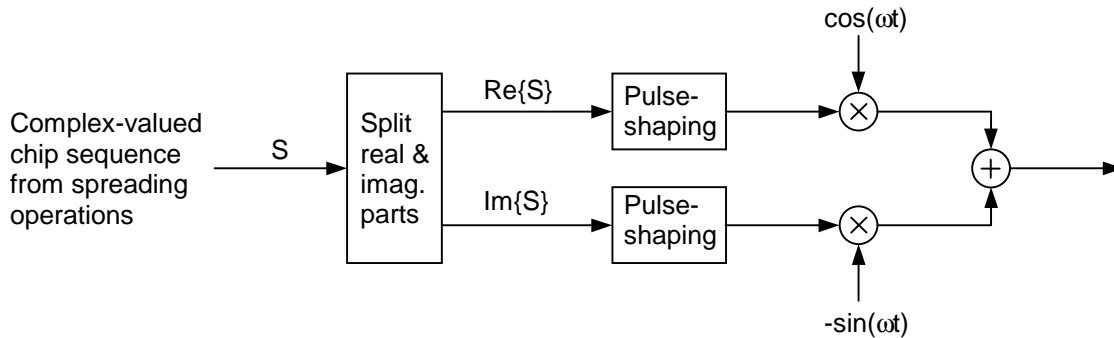


Figure 7: Uplink modulation

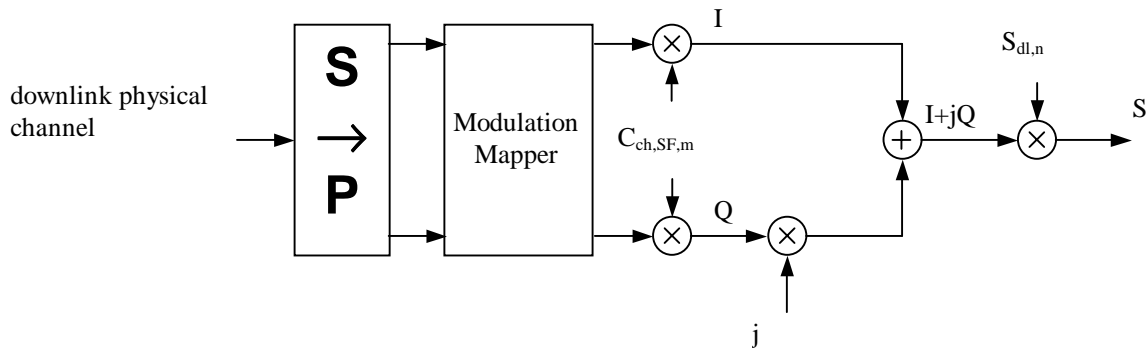
The pulse-shaping characteristics are described in [3].

## 5 Downlink spreading and modulation

### 5.1 Spreading

Figure 8 illustrates the spreading operation for the physical channel except SCH. The behaviour of the modulation mapper is different between QPSK and 16QAM. The downlink physical channels using QPSK are P-CCPCH, S-CCPCH, CPICH, AICH, AP-AICH, CSICH, CD/CA-ICH, PICH, PDSCH, HS-SCCH and downlink DPCH. The downlink physical channel using either QPSK or 16 QAM is HS-PDSCH. The non-spread downlink physical channels, except SCH, AICH, AP-ICH and CD/CA-ICH, consist of a sequence of 3-valued digits taking the values 0, 1 and "DTX". Note that "DTX" is only applicable to those downlink physical channels that support DTX transmission. In case of QPSK, these digits are mapped to real-valued symbols as follows: the binary value "0" is mapped to the real value +1, the binary value "1" is mapped to the real value -1 and "DTX" is mapped to the real value 0. For the indicator channels using signatures (AICH, AP-AICH and CD/CA-ICH), the real-valued symbols depend on the exact combination of the indicators to be transmitted, compare [2] sections 5.3.3.7, 5.3.3.8 and 5.3.3.9.

In case of QPSK, each pair of two consecutive real-valued symbols is first serial-to-parallel converted and mapped to an I and Q branch. The definition of the modulation mapper is such that even and odd numbered symbols are mapped to the I and Q branch respectively. In case of QPSK, for all channels except the indicator channels using signatures, symbol number zero is defined as the first symbol in each access slot. For the indicator channels using signatures, symbol number zero is defined as the first symbol in each access slot. The I and Q branches are then both spread to the chip rate by the same real-valued channelisation code  $C_{ch,SF,m}$ . The channelisation code sequence shall be aligned in time with the symbol boundary. The sequences of real-valued chips on the I and Q branch are then treated as a single complex-valued sequence of chips. This sequence of chips is scrambled (complex chip-wise multiplication) by a complex-valued scrambling code  $S_{dl,n}$ . In case of P-CCPCH, the scrambling code is applied aligned with the P-CCPCH frame boundary, i.e. the first complex chip of the spread P-CCPCH frame is multiplied with chip number zero of the scrambling code. In case of other downlink channels, the scrambling code is applied aligned with the scrambling code applied to the P-CCPCH. In this case, the scrambling code is thus not necessarily applied aligned with the frame boundary of the physical channel to be scrambled.



**Figure 8: Spreading for all downlink physical channels except SCH**

In case of 16QAM, a set of four consecutive binary symbols  $n_k, n_{k+1}, n_{k+2}, n_{k+3}$  (with  $k \bmod 4 = 0$ ) is serial-to-parallel converted to two consecutive binary symbols ( $i_1 = n_k, i_2 = n_{k+2}$ ) on the I branch and two consecutive binary symbols ( $q_1 = n_{k+1}, q_2 = n_{k+3}$ ) on the Q branch and then mapped to 16QAM by the modulation mapper as defined in table 3A. The I and Q branches are then both spread to the chip rate by the same real-valued channelisation code  $C_{ch,16,m}$ . The channelisation code sequence shall be aligned in time with the symbol boundary. The sequences of real-valued chips on the I and Q branch are then treated as a single complex-valued sequence of chips. This sequence of chips from all multi-codes is summed and then scrambled (complex chip-wise multiplication) by a complex-valued scrambling code  $S_{dl,n}$ . The scrambling code is applied aligned with the scrambling code applied to the P-CCPCH.

**Table 3A: 16 QAM modulation mapping**

$i_1 q_1 i_2 q_2$	I branch	Q branch
0000	0.4472	0.4472
0001	0.4472	1.3416
0010	1.3416	0.4472
0011	1.3416	1.3416
0100	0.4472	-0.4472
0101	0.4472	-1.3416
0110	1.3416	-0.4472
0111	1.3416	-1.3416
1000	-0.4472	0.4472
1001	-0.4472	1.3416
1010	-1.3416	0.4472
1011	-1.3416	1.3416
1100	-0.4472	-0.4472
1101	-0.4472	-1.3416
1110	-1.3416	-0.4472
1111	-1.3416	-1.3416

Figure 9 illustrates how different downlink channels are combined. Each complex-valued spread channel, corresponding to point S in Figure 8, is separately weighted by a weight factor  $G_i$ . The complex-valued P-SCH and S-SCH, as described in [2], section 5.3.3.5, are separately weighted by weight factors  $G_p$  and  $G_s$ . All downlink physical channels are then combined using complex addition.

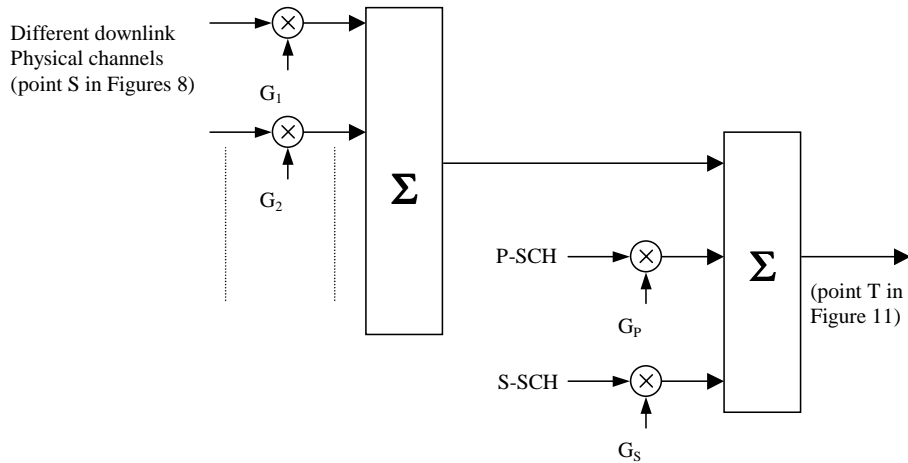


Figure 9: Combining of downlink physical channels

## 5.2 Code generation and allocation

### 5.2.1 Channelisation codes

The channelisation codes of figure 8 are the same codes as used in the uplink, namely Orthogonal Variable Spreading Factor (OVSF) codes that preserve the orthogonality between downlink channels of different rates and spreading factors. The OVSF codes are defined in figure 4 in section 4.3.1.

The channelisation code for the Primary CPICH is fixed to  $C_{ch,256,0}$  and the channelisation code for the Primary CCPCH is fixed to  $C_{ch,256,1}$ . The channelisation codes for all other physical channels are assigned by UTRAN.

With the spreading factor 512 a specific restriction is applied. When the code word  $C_{ch,512,n}$ , with  $n=0,2,4,\dots,510$ , is used in soft handover, then the code word  $C_{ch,512,n+1}$  is not allocated in the cells where timing adjustment is to be used. Respectively if  $C_{ch,512,n}$ , with  $n=1,3,5,\dots,511$  is used, then the code word  $C_{ch,512,n-1}$  is not allocated in the cells where timing adjustment is to be used. This restriction shall not apply in cases where timing adjustments in soft handover are not used with spreading factor 512.

When compressed mode is implemented by reducing the spreading factor by 2, the OVSF code used for compressed frames is:

- $C_{ch,SF/2,\lfloor n/2 \rfloor}$  if ordinary scrambling code is used.
- $C_{ch,SF/2,n \bmod SF/2}$  if alternative scrambling code is used (see section 5.2.2);

where  $C_{ch,SF,n}$  is the channelisation code used for non-compressed frames.

In case the OVSF code on the PDSCH varies from frame to frame, the OVSF codes shall be allocated in such a way that the OVSF code(s) below the smallest spreading factor will be from the branch of the code tree pointed by the code with smallest spreading factor used for the connection which is called PDSCH root channelisation code. This means that all the codes for this UE for the PDSCH connection can be generated according to the OVSF code generation principle from the PDSCH root channelisation code i.e. the code with smallest spreading factor used by the UE on PDSCH.

In case of mapping the DSCH to multiple parallel PDSCHs, the same rule applies, but all of the branches identified by the multiple codes, corresponding to the smallest spreading factor, may be used for higher spreading factor allocation i.e. the multiple codes with smallest spreading factor can be considered as PDSCH root channelisation codes.

For HS-PDSCH, the spreading factor is always 16.

For HS-SCCH, the spreading factor is always 128.

Channelisation-code-set information over HS-SCCH is mapped in following manner: the OVSF codes shall be allocated in such a way that they are positioned in sequence in the code tree. That is, for P multicode at offset O the following codes are allocated:

$$C_{ch,16,0} \dots C_{ch,16,0+P-1}$$

The number of multicodes and the corresponding offset for HS-PDSCHs mapped from a given HS-DSCH is signalled by HS-SCCH.

## 5.2.2 Scrambling code

A total of  $2^{18}-1 = 262,143$  scrambling codes, numbered  $0 \dots 262,142$  can be generated. However not all the scrambling codes are used. The scrambling codes are divided into 512 sets each of a primary scrambling code and 15 secondary scrambling codes.

The primary scrambling codes consist of scrambling codes  $n=16*i$  where  $i=0 \dots 511$ . The  $i$ :th set of secondary scrambling codes consists of scrambling codes  $16*i+k$ , where  $k=1 \dots 15$ .

There is a one-to-one mapping between each primary scrambling code and 15 secondary scrambling codes in a set such that  $i$ :th primary scrambling code corresponds to  $i$ :th set of secondary scrambling codes.

Hence, according to the above, scrambling codes  $k = 0, 1, \dots, 8191$  are used. Each of these codes are associated with a left alternative scrambling code and a right alternative scrambling code, that may be used for compressed frames. The left alternative scrambling code corresponding to scrambling code  $k$  is scrambling code number  $k + 8192$ , while the right alternative scrambling code corresponding to scrambling code  $k$  is scrambling code number  $k + 16384$ . The alternative scrambling codes can be used for compressed frames. In this case, the left alternative scrambling code is used if  $n < SF/2$  and the right alternative scrambling code is used if  $n \geq SF/2$ , where  $c_{ch,SF,n}$  is the channelisation code used for non-compressed frames. The usage of alternative scrambling code for compressed frames is signalled by higher layers for each physical channel respectively.

The set of primary scrambling codes is further divided into 64 scrambling code groups, each consisting of 8 primary scrambling codes. The  $j$ :th scrambling code group consists of primary scrambling codes  $16*8*j+16*k$ , where  $j=0 \dots 63$  and  $k=0 \dots 7$ .

Each cell is allocated one and only one primary scrambling code. The primary CCPCH, primary CPICH, PICH, AICH, AP-AICH, CD/CA-ICH, CSICH and S-CCPCH carrying PCH are always transmitted using the primary scrambling code. The other downlink physical channels can be transmitted with either the primary scrambling code or a secondary scrambling code from the set associated with the primary scrambling code of the cell.

The mixture of primary scrambling code and no more than one secondary scrambling code for one CCTrCH is allowable. In compressed mode during compressed frames, these can be changed to the associated left or right scrambling codes as described above, i.e. in these frames, the total number of different scrambling codes may exceed two.

In the case of the CCTrCH of type DSCH, all the PDSCH channelisation codes that a single UE may receive shall be under a single scrambling code (either the primary or a secondary scrambling code). In the case of CCTrCH of type of HS-DSCH then all the HS-PDSCH channelisation codes and HS-SCCH that a single UE may receive shall be under a single scrambling code (either the primary or a secondary scrambling code).

The scrambling code sequences are constructed by combining two real sequences into a complex sequence. Each of the two real sequences are constructed as the position wise modulo 2 sum of 38400 chip segments of two binary  $m$ -sequences generated by means of two generator polynomials of degree 18. The resulting sequences thus constitute segments of a set of Gold sequences. The scrambling codes are repeated for every 10 ms radio frame. Let  $x$  and  $y$  be the two sequences respectively. The  $x$  sequence is constructed using the primitive (over GF(2)) polynomial  $1+X^7+X^{18}$ . The  $y$  sequence is constructed using the polynomial  $1+X^5+X^7+X^{10}+X^{18}$ .

The sequence depending on the chosen scrambling code number  $n$  is denoted  $z_n$ , in the sequel. Furthermore, let  $x(i)$ ,  $y(i)$  and  $z_n(i)$  denote the  $i$ :th symbol of the sequence  $x$ ,  $y$ , and  $z_n$ , respectively.

The  $m$ -sequences  $x$  and  $y$  are constructed as:

Initial conditions:

- $x$  is constructed with  $x(0)=1, x(1)=x(2)=\dots=x(16)=x(17)=0$ .
- $y(0)=y(1)=\dots=y(16)=y(17)=1$ .

Recursive definition of subsequent symbols:

- $x(i+18) = x(i+7) + x(i) \text{ modulo } 2, i=0, \dots, 2^{18}-20.$
- $y(i+18) = y(i+10)+y(i+7)+y(i+5)+y(i) \text{ modulo } 2, i=0, \dots, 2^{18}-20.$

The  $n$ :th Gold code sequence  $z_n, n=0,1,2, \dots, 2^{18}-2$ , is then defined as:

- $z_n(i) = x((i+n) \text{ modulo } (2^{18} - 1)) + y(i) \text{ modulo } 2, i=0, \dots, 2^{18}-2.$

These binary sequences are converted to real valued sequences  $Z_n$  by the following transformation:

$$Z_n(i) = \begin{cases} +1 & \text{if } z_n(i) = 0 \\ -1 & \text{if } z_n(i) = 1 \end{cases} \text{ for } i = 0,1,K, 2^{18} - 2.$$

Finally, the  $n$ :th complex scrambling code sequence  $S_{dl,n}$  is defined as:

- $S_{dl,n}(i) = Z_n(i) + j Z_n((i+131072) \text{ modulo } (2^{18}-1)), i=0,1, \dots, 38399.$

Note that the pattern from phase 0 up to the phase of 38399 is repeated.

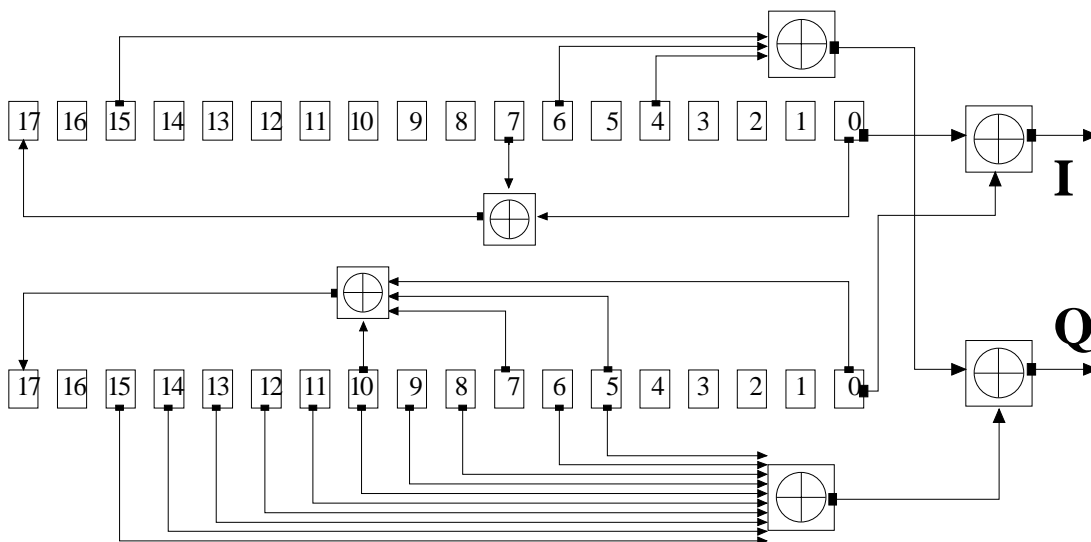


Figure 10: Configuration of downlink scrambling code generator

### 5.2.3 Synchronisation codes

#### 5.2.3.1 Code generation

The primary synchronisation code (PSC),  $C_{psc}$  is constructed as a so-called generalised hierarchical Golay sequence. The PSC is furthermore chosen to have good aperiodic auto correlation properties.

Define:

- $a = \langle x_1, x_2, x_3, \dots, x_{16} \rangle = \langle 1, 1, 1, 1, 1, 1, -1, -1, 1, -1, 1, -1, 1, -1, -1, 1 \rangle$

The PSC is generated by repeating the sequence  $a$  modulated by a Golay complementary sequence, and creating a complex-valued sequence with identical real and imaginary components. The PSC  $C_{psc}$  is defined as:

- $C_{psc} = (1 + j) \times \langle a, a, a, -a, -a, a, -a, -a, a, a, a, -a, a, -a, a, a \rangle;$

where the leftmost chip in the sequence corresponds to the chip transmitted first in time.



The 16 secondary synchronization codes (SSCs),  $\{C_{\text{ssc},1}, \dots, C_{\text{ssc},16}\}$ , are complex-valued with identical real and imaginary components, and are constructed from position wise multiplication of a Hadamard sequence and a sequence  $z$ , defined as:

- $z = \langle b, b, b, -b, b, b, -b, -b, b, -b, b, -b, -b, -b, -b \rangle$ , where
- $b = \langle x_1, x_2, x_3, x_4, x_5, x_6, x_7, x_8, -x_9, -x_{10}, -x_{11}, -x_{12}, -x_{13}, -x_{14}, -x_{15}, -x_{16} \rangle$  and  $x_1, x_2, \dots, x_{15}, x_{16}$ , are same as in the definition of the sequence  $a$  above.

The Hadamard sequences are obtained as the rows in a matrix  $H_8$  constructed recursively by:

$$H_0 = (1)$$

$$H_k = \begin{pmatrix} H_{k-1} & H_{k-1} \\ H_{k-1} & -H_{k-1} \end{pmatrix}, \quad k \geq 1$$

The rows are numbered from the top starting with row 0 (the all ones sequence).

Denote the  $n$ :th Hadamard sequence as a row of  $H_8$  numbered from the top,  $n = 0, 1, 2, \dots, 255$ , in the sequel.

Furthermore, let  $h_n(i)$  and  $z(i)$  denote the  $i$ :th symbol of the sequence  $h_n$  and  $z$ , respectively where  $i = 0, 1, 2, \dots, 255$  and  $i = 0$  corresponds to the leftmost symbol.

The  $k$ :th SSC,  $C_{\text{ssc},k}$ ,  $k = 1, 2, 3, \dots, 16$  is then defined as:

- $C_{\text{ssc},k} = (1 + j) \times \langle h_m(0) \times z(0), h_m(1) \times z(1), h_m(2) \times z(2), \dots, h_m(255) \times z(255) \rangle$ ;

where  $m = 16 \times (k - 1)$  and the leftmost chip in the sequence corresponds to the chip transmitted first in time.

### 5.2.3.2 Code allocation of SSC

The 64 secondary SCH sequences are constructed such that their cyclic-shifts are unique, i.e., a non-zero cyclic shift less than 15 of any of the 64 sequences is not equivalent to some cyclic shift of any other of the 64 sequences. Also, a non-zero cyclic shift less than 15 of any of the sequences is not equivalent to itself with any other cyclic shift less than 15. Table 4 describes the sequences of SSCs used to encode the 64 different scrambling code groups. The entries in table 4 denote what SSC to use in the different slots for the different scrambling code groups, e.g. the entry "7" means that SSC  $C_{\text{ssc},7}$  shall be used for the corresponding scrambling code group and slot.

Table 4: Allocation of SSCs for secondary SCH

Scrambling Code Group	slot number														
	#0	#1	#2	#3	#4	#5	#6	#7	#8	#9	#10	#11	#12	#13	#14
Group 0	1	1	2	8	9	10	15	8	10	16	2	7	15	7	16
Group 1	1	1	5	16	7	3	14	16	3	10	5	12	14	12	10
Group 2	1	2	1	15	5	5	12	16	6	11	2	16	11	15	12
Group 3	1	2	3	1	8	6	5	2	5	8	4	4	6	3	7
Group 4	1	2	16	6	6	11	15	5	12	1	15	12	16	11	2
Group 5	1	3	4	7	4	1	5	5	3	6	2	8	7	6	8
Group 6	1	4	11	3	4	10	9	2	11	2	10	12	12	9	3
Group 7	1	5	6	6	14	9	10	2	13	9	2	5	14	1	13
Group 8	1	6	10	10	4	11	7	13	16	11	13	6	4	1	16
Group 9	1	6	13	2	14	2	6	5	5	13	10	9	1	14	10
Group 10	1	7	8	5	7	2	4	3	8	3	2	6	6	4	5
Group 11	1	7	10	9	16	7	9	15	1	8	16	8	15	2	2
Group 12	1	8	12	9	9	4	13	16	5	1	13	5	12	4	8
Group 13	1	8	14	10	14	1	15	15	8	5	11	4	10	5	4
Group 14	1	9	2	15	15	16	10	7	8	1	10	8	2	16	9
Group 15	1	9	15	6	16	2	13	14	10	11	7	4	5	12	3
Group 16	1	10	9	11	15	7	6	4	16	5	2	12	13	3	14
Group 17	1	11	14	4	13	2	9	10	12	16	8	5	3	15	6
Group 18	1	12	12	13	14	7	2	8	14	2	1	13	11	8	11
Group 19	1	12	15	5	4	14	3	16	7	8	6	2	10	11	13
Group 20	1	15	4	3	7	6	10	13	12	5	14	16	8	2	11
Group 21	1	16	3	12	11	9	13	5	8	2	14	7	4	10	15
Group 22	2	2	5	10	16	11	3	10	11	8	5	13	3	13	8
Group 23	2	2	12	3	15	5	8	3	5	14	12	9	8	9	14
Group 24	2	3	6	16	12	16	3	13	13	6	7	9	2	12	7
Group 25	2	3	8	2	9	15	14	3	14	9	5	5	15	8	12
Group 26	2	4	7	9	5	4	9	11	2	14	5	14	11	16	16
Group 27	2	4	13	12	12	7	15	10	5	2	15	5	13	7	4
Group 28	2	5	9	9	3	12	8	14	15	12	14	5	3	2	15
Group 29	2	5	11	7	2	11	9	4	16	7	16	9	14	14	4
Group 30	2	6	2	13	3	3	12	9	7	16	6	9	16	13	12
Group 31	2	6	9	7	7	16	13	3	12	2	13	12	9	16	6
Group 32	2	7	12	15	2	12	4	10	13	15	13	4	5	5	10
Group 33	2	7	14	16	5	9	2	9	16	11	11	5	7	4	14
Group 34	2	8	5	12	5	2	14	14	8	15	3	9	12	15	9
Group 35	2	9	13	4	2	13	8	11	6	4	6	8	15	15	11
Group 36	2	10	3	2	13	16	8	10	8	13	11	11	16	3	5
Group 37	2	11	15	3	11	6	14	10	15	10	6	7	7	14	3
Group 38	2	16	4	5	16	14	7	11	4	11	14	9	9	7	5
Group 39	3	3	4	6	11	12	13	6	12	14	4	5	13	5	14
Group 40	3	3	6	5	16	9	15	5	9	10	6	4	15	4	10
Group 41	3	4	5	14	4	6	12	13	5	13	6	11	11	12	14
Group 42	3	4	9	16	10	4	16	15	3	5	10	5	15	6	6
Group 43	3	4	16	10	5	10	4	9	9	16	15	6	3	5	15
Group 44	3	5	12	11	14	5	11	13	3	6	14	6	13	4	4
Group 45	3	6	4	10	6	5	9	15	4	15	5	16	16	9	10
Group 46	3	7	8	8	16	11	12	4	15	11	4	7	16	3	15
Group 47	3	7	16	11	4	15	3	15	11	12	12	4	7	8	16
Group 48	3	8	7	15	4	8	15	12	3	16	4	16	12	11	11
Group 49	3	8	15	4	16	4	8	7	7	15	12	11	3	16	12

Scrambling Code Group	slot number														
	#0	#1	#2	#3	#4	#5	#6	#7	#8	#9	#10	#11	#12	#13	#14
Group 50	3	10	10	15	16	5	4	6	16	4	3	15	9	6	9
Group 51	3	13	11	5	4	12	4	11	6	6	5	3	14	13	12
Group 52	3	14	7	9	14	10	13	8	7	8	10	4	4	13	9
Group 53	5	5	8	14	16	13	6	14	13	7	8	15	6	15	7
Group 54	5	6	11	7	10	8	5	8	7	12	12	10	6	9	11
Group 55	5	6	13	8	13	5	7	7	6	16	14	15	8	16	15
Group 56	5	7	9	10	7	11	6	12	9	12	11	8	8	6	10
Group 57	5	9	6	8	10	9	8	12	5	11	10	11	12	7	7
Group 58	5	10	10	12	8	11	9	7	8	9	5	12	6	7	6
Group 59	5	10	12	6	5	12	8	9	7	6	7	8	11	11	9
Group 60	5	13	15	15	14	8	6	7	16	8	7	13	14	5	16
Group 61	9	10	13	10	11	15	15	9	16	12	14	13	16	14	11
Group 62	9	11	12	15	12	9	13	13	11	14	10	16	15	14	16
Group 63	9	12	10	15	13	14	9	14	15	11	11	13	12	16	10

### 5.3 Modulation

#### 5.3.1 Modulating chip rate

The modulating chip rate is 3.84 Mcps.

#### 5.3.2 Modulation

Modulation of the complex-valued chip sequence generated by the spreading process is shown in Figure 11 below.

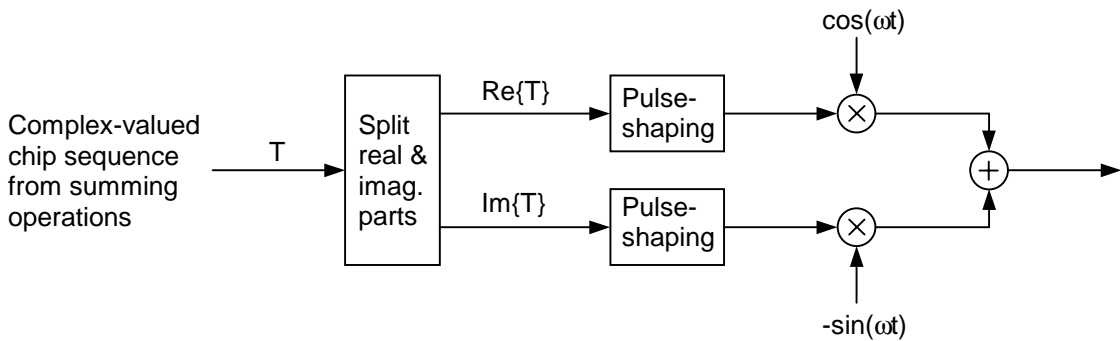


Figure 11: Downlink modulation

The pulse-shaping characteristics are described in [4].

# Annex A (informative): Generalised Hierarchical Golay Sequences

## A.1 Alternative generation

The generalised hierarchical Golay sequences for the PSC described in 5.2.3.1 may be also viewed as generated (in real valued representation) by the following methods:

### Method 1.

The sequence  $y$  is constructed from two constituent sequences  $x_1$  and  $x_2$  of length  $n_1$  and  $n_2$  respectively using the following formula:

$$- y(i) = x_2(i \bmod n_2) * x_1(i \operatorname{div} n_2), i = 0 \dots (n_1 * n_2) - 1.$$

The constituent sequences  $x_1$  and  $x_2$  are chosen to be the following length 16 (i.e.  $n_1 = n_2 = 16$ ) sequences:

- $x_1$  is defined to be the length 16 ( $N^{(1)}=4$ ) Golay complementary sequence obtained by the delay matrix  $D^{(1)} = [8, 4, 1, 2]$  and weight matrix  $W^{(1)} = [1, -1, 1, 1]$ .
- $x_2$  is a generalised hierarchical sequence using the following formula, selecting  $s=2$  and using the two Golay complementary sequences  $x_3$  and  $x_4$  as constituent sequences. The length of the sequence  $x_3$  and  $x_4$  is called  $n_3$  respectively  $n_4$ .
- $x_2(i) = x_4(i \bmod s + s*(i \operatorname{div} sn_3)) * x_3((i \operatorname{div} s) \bmod n_3), i = 0 \dots (n_3 * n_4) - 1.$
- $x_3$  and  $x_4$  are defined to be identical and the length 4 ( $N^{(3)} = N^{(4)} = 2$ ) Golay complementary sequence obtained by the delay matrix  $D^{(3)} = D^{(4)} = [1, 2]$  and weight matrix  $W^{(3)} = W^{(4)} = [1, 1]$ .

The Golay complementary sequences  $x_1, x_3$  and  $x_4$  are defined using the following recursive relation:

$$\begin{aligned} a_0(k) &= \delta(k) \text{ and } b_0(k) = \delta(k); \\ a_n(k) &= a_{n-1}(k) + W_n^{(j)} \cdot b_{n-1}(k - D_n^{(j)}); \\ b_n(k) &= a_{n-1}(k) - W_n^{(j)} \cdot b_{n-1}(k - D_n^{(j)}); \\ k &= 0, 1, 2, \dots, 2 * N^{(j)} - 1; \\ n &= 1, 2, \dots, N^{(j)}. \end{aligned}$$

The wanted Golay complementary sequence  $x_j$  is defined by  $a_n$  assuming  $n=N^{(j)}$ . The Kronecker delta function is described by  $\delta, k, j$  and  $n$  are integers.

### Method 2

The sequence  $y$  can be viewed as a pruned Golay complementary sequence and generated using the following parameters which apply to the generator equations for  $a$  and  $b$  above:

- (a) Let  $j = 0, N^{(0)} = 8.$
- (b)  $[D_1^0, D_2^0, D_3^0, D_4^0, D_5^0, D_6^0, D_7^0, D_8^0] = [128, 64, 16, 32, 8, 1, 4, 2].$
- (c)  $[W_1^0, W_2^0, W_3^0, W_4^0, W_5^0, W_6^0, W_7^0, W_8^0] = [1, -1, 1, 1, 1, 1, 1, 1].$
- (d) For  $n = 4, 6$ , set  $b_4(k) = a_4(k), b_6(k) = a_6(k).$

## Annex B (informative): Change history

Change history							
Date	TSG #	TSG Doc.	CR	Rev	Subject/Comment	Old	New
14/01/00	RAN_05	RP-99589	-		Approved at TSG RAN #5 and placed under Change Control	-	3.0.0
14/01/00	RAN_06	RP-99682	005	1	Harmonization of notations for downlink scrambling codes	3.0.0	3.1.0
14/01/00	RAN_06	RP-99683	006	-	Update of downlink spreading description	3.0.0	3.1.0
14/01/00	RAN_06	RP-99682	007	1	Update of TS 25.213 uplink parts	3.0.0	3.1.0
14/01/00	RAN_06	RP-99683	008	-	Updated modulation description	3.0.0	3.1.0
14/01/00	RAN_06	RP-99683	009	-	Restriction for spreading factor 512 allocation in the UTRA FDD Downlink	3.0.0	3.1.0
14/01/00	RAN_06	RP-99683	011	1	CPCH codes in power control preamble	3.0.0	3.1.0
14/01/00	RAN_06	RP-99683	012	2	Support of short codes for CPCH	3.0.0	3.1.0
14/01/00	RAN_06	RP-99682	014	1	Editorial Change	3.0.0	3.1.0
14/01/00	RAN_06	RP-99683	016	-	Channelization Code Allocation for USTS	3.0.0	3.1.0
14/01/00	RAN_06	RP-99683	017	1	Correction (Editorial Change)	3.0.0	3.1.0
14/01/00	RAN_06	RP-99683	019	-	Correction to code allocation for compressed mode	3.0.0	3.1.0
14/01/00	-	-	-	-	Change history was added by the editor	3.1.0	3.1.1
31/03/00	RAN_07	RP-000063	020	1	Consistent numbering of scrambling code groups	3.1.1	3.2.0
31/03/00	RAN_07	RP-000063	021	-	Downlink signal flow corrections	3.1.1	3.2.0
31/03/00	RAN_07	RP-000063	022	-	Uplink signal flow corrections	3.1.1	3.2.0
31/03/00	RAN_07	RP-000063	023	1	Number of RACH scrambling codes	3.1.1	3.2.0
31/03/00	RAN_07	RP-000063	024	1	Editorial changes to 25.213	3.1.1	3.2.0
31/03/00	RAN_07	RP-000063	025	3	Number of PCPCH scrambling codes per cell	3.1.1	3.2.0
31/03/00	RAN_07	RP-000063	027	-	A typo correction for 5.2.2 and clarification for 5.2.3.1 of TS 25.213V3.1.1	3.1.1	3.2.0
31/03/00	RAN_07	RP-000063	028	2	Channelization code allocation method for PCPCH message part	3.1.1	3.2.0
31/03/00	RAN_07	RP-000063	029	-	Clarifications to DSCH scrambling and modulation in 25.213	3.1.1	3.2.0
31/03/00	RAN_07	RP-000063	032	-	Clean up of USTS related specifications	3.1.1	3.2.0
26/06/00	RAN_08	RP-000267	033	-	Clarifications to power control preamble sections	3.2.0	3.3.0
26/06/00	RAN_08	RP-000267	034	2	Numbering of the PCPCH access preamble and collision detection preamble scrambling codes	3.2.0	3.3.0
26/06/00	RAN_08	RP-000267	035	-	DPDCH/DPCCH gain factors	3.2.0	3.3.0
16/12/00	RAN_10	RP-000539	037	1	Proposed removal of the option of secondary scrambling code for some downlink common channels	3.3.0	3.4.0
16/03/01	RAN_11	-	-	-	Approved as Release 4 specification (v4.0.0) at TSG RAN #11	3.4.0	4.0.0
16/03/01	RAN_11	RP-010059	038	-	Clarification of channelization codes when SF=512	3.4.0	4.0.0
16/03/01	RAN_11	RP-010059	039	1	Clarification of the scrambling code of a power control preamble	3.4.0	4.0.0
15/06/01	RAN_12	RP-010333	041	1	Clarification of DL channelization code alignment	4.0.0	4.1.0
15/06/01	RAN_12	RP-010333	043	1	Clarification of PDSCH root channelisation code definition	4.0.0	4.1.0
14/12/01	RAN_14	RP-010738	047	-	Correction of section number reference	4.1.0	4.2.0
08/03/02	RAN_15	RP-020058	049	-	The inclusion of HSDPA into 25.213	4.2.0	5.0.0
07/06/02	RAN_16	RP-020309	053	1	Downlink bit mapping	5.0.0	5.1.0
07/06/02	RAN_16	RP-020316	050	-	Consistency of Signal Point Constellation for QPSK and 16QAM	5.0.0	5.1.0
07/06/02	RAN_16	RP-020316	054	-	Clarification of uplink DTX handling and modulation	5.0.0	5.1.0
07/06/02	RAN_16	RP-020316	055	-	Removal of code mapping description over HS-SCCH	5.0.0	5.1.0
07/06/02	RAN_16	RP-020316	056	3	I/Q mapping of HS-DPCCH	5.0.0	5.1.0
07/06/02	RAN_16	RP-020316	057	-	Definition of the amplitude gain factor for HS-DPCCH	5.0.0	5.1.0
16/09/02	RAN_17	RP-020583	058	1	Numbering corrections	5.1.0	5.2.0
16/09/02	RAN_17	RP-020583	059	-	Correction on the maximum DPDCH in Figure1	5.1.0	5.2.0
16/09/02	RAN_17	RP-020592	060	-	Power offset values for HS-DPCCH	5.1.0	5.2.0
26/03/03	RAN_19	RP-030135	061	1	Removal of the tiny text in Figure 1 and minor corrections to 4.2.1	5.2.0	5.3.0
21/09/03	RAN_21	RP-030457	062	-	Clarification of 16QAM modulation description	5.3.0	5.4.0
06/01/04	RAN_22	RP-030648	064	1	Correction of figure in combining of downlink physical channels	5.4.0	5.5.0
06/01/04	RAN_22	RP-030648	065	1	Correction of reference to calculation of HS-DPCCH gain factor	5.4.0	5.5.0
06/01/04	RAN_22	RP-030727	067	2	Restriction of DL secondary scrambling codes per CCTrCH	5.4.0	5.5.0
13/01/04	RAN_22	-	-	-	Created for M.1457 update	5.5.0	6.0.0

---

# History

<b>Document history</b>		
V6.0.0	December 2003	Publication