

ETSI TS 125 434 V3.3.0 (2000-09)

Technical Specification

Universal Mobile Telecommunications System (UMTS); UTRAN I_{ub} Interface Data Transport and Transport Signalling for Common Transport Channel Data Streams (3GPP TS 25.434 version 3.3.0 Release 1999)



Reference

RTS/TSGR-0325434UR2

Keywords

UMTS

ETSI

650 Route des Lucioles
F-06921 Sophia Antipolis Cedex - FRANCE

Tel.: +33 4 92 94 42 00 Fax: +33 4 93 65 47 16

Siret N° 348 623 562 00017 - NAF 742 C
Association à but non lucratif enregistrée à la
Sous-Préfecture de Grasse (06) N° 7803/88

Important notice

Individual copies of the present document can be downloaded from:

<http://www.etsi.org>

The present document may be made available in more than one electronic version or in print. In any case of existing or perceived difference in contents between such versions, the reference version is the Portable Document Format (PDF). In case of dispute, the reference shall be the printing on ETSI printers of the PDF version kept on a specific network drive within ETSI Secretariat.

Users of the present document should be aware that the document may be subject to revision or change of status. Information on the current status of this and other ETSI documents is available at <http://www.etsi.org/tb/status/>

If you find errors in the present document, send your comment to:
editor@etsi.fr

Copyright Notification

No part may be reproduced except as authorized by written permission.
The copyright and the foregoing restriction extend to reproduction in all media.

© European Telecommunications Standards Institute 2000.

All rights reserved.

Intellectual Property Rights

IPRs essential or potentially essential to the present document may have been declared to ETSI. The information pertaining to these essential IPRs, if any, is publicly available for **ETSI members and non-members**, and can be found in ETSI SR 000 314: "*Intellectual Property Rights (IPRs); Essential, or potentially Essential, IPRs notified to ETSI in respect of ETSI standards*", which is available from the ETSI Secretariat. Latest updates are available on the ETSI Web server (<http://www.etsi.org/ipr>).

Pursuant to the ETSI IPR Policy, no investigation, including IPR searches, has been carried out by ETSI. No guarantee can be given as to the existence of other IPRs not referenced in ETSI SR 000 314 (or the updates on the ETSI Web server) which are, or may be, or may become, essential to the present document.

Foreword

This Technical Specification (TS) has been produced by the ETSI 3rd Generation Partnership Project (3GPP).

The present document may refer to technical specifications or reports using their 3GPP identities, UMTS identities or GSM identities. These should be interpreted as being references to the corresponding ETSI deliverables.

The cross reference between GSM, UMTS, 3GPP and ETSI identities can be found under www.etsi.org/key .

Contents

Foreword	4
1 Scope	5
2 References	5
3 Definitions, symbols and abbreviations	5
3.1 Definitions	5
3.2 Symbols	5
3.3 Abbreviations	5
4 ATM Layer	6
4.1 General	6
4.2 Protection Switching at ATM Layer	6
5 I _{ub} Data Transport for Common Transport Channel Data Streams	6
5.1 Introduction	6
5.2 Transport Layer	6
6 I _{ub} Transport Signalling for Common Transport Channel Data Streams	7
6.1 Introduction	7
6.2 Transport Signalling	7
7 Signalling Bearer for Transport Signalling on I _{ub} Interface	7
7.1 Introduction	7
7.2 Signalling Bearer	7
Annex A (informative): Change history	9

Foreword

This Technical Specification (TS) has been produced by the 3rd Generation Partnership Project (3GPP).

The contents of the present document are subject to continuing work within the TSG and may change following formal TSG approval. Should the TSG modify the contents of the present document, it will be re-released by the TSG with an identifying change of release date and an increase in version number as follows:

Version x.y.z

where:

- x the first digit:
 - 1 presented to TSG for information;
 - 2 presented to TSG for approval;
 - 3 or greater indicates TSG approved document under change control.
- y the second digit is incremented for all changes of substance, i.e. technical enhancements, corrections, updates, etc.
- z the third digit is incremented when editorial only changes have been incorporated in the document.

1 Scope

The present document shall provide a specification of the UTRAN RNC-Node B (Iub) interface Data Transport and Transport Signalling for Common Transport Channel data streams.

2 References

The following documents contain provisions which, through reference in this text, constitute provisions of the present document.

- References are either specific (identified by date of publication, edition number, version number, etc.) or non-specific.
- For a specific reference, subsequent revisions do not apply.
- For a non-specific reference, the latest version applies.

[1] ITU-T Recommendation I.363.2 (1997): "B-ISDN ATM Adaptation Layer type 2".

[2] ITU-T Recommendation I.366.1 (1998): "Segmentation and Reassembly Service Specific Convergence Sublayer for the AAL type 2".

[3] (void)

Note: The above reference will be to ITU-T Recommendation Q.2630.1 (1999): "AAL Type 2 signalling protocol (Capability Set 1)" when available.

[4] ITU-T Recommendation Q.2110 (1994): "B-ISDN ATM Adaptation layer – Service Specific Connection Oriented Protocol (SSCOP)".

[5] ITU-T Recommendation Q.2130 (1994): "B-ISDN Signaling ATM Adaptation Layer – Service Specific Coordination Function for Support of Signaling at the User Network Interface (SSCF at UNI)".

[6] ITU-T Recommendation Q.2150.2 (12/99): "AAL type 2 signalling transport converter on SSCOP".

[7] ITU-T Recommendation I.361 (1995): "B-ISDN ATM Layer Specification".

[8] ITU-T Recommendation I.630 (1999): "ATM Protection Switching".

3 Definitions, symbols and abbreviations

3.1 Definitions

3.2 Symbols

3.3 Abbreviations

AAL	ATM Adaption Layer
AAL2	AAL Type 2
ATM	Asynchronous Transfer Mode
CPCH	Common Packet Channel
CPCS	Common Part Convergence Sublayer
CPS	Common Part Sublayer

DSCH	Downlink Shared Channel
FACH	Forward Access Channel
FP	Frame Protocol
RACH	Random Access Channel
RNC	Radio Network Controller
SAAL	Signalling ATM Adaption Layer
SAR	Segmentation and Reassembly
SSCF	Service Specific Co-ordination Function
SSCOP	Service Specific Connection Oriented Protocol
SSCS	Service Specific Convergence Sublayer
SSSAR	Service Specific Segmentation and Reassembly
STC	Signalling Transport Converter
UMTS	Universal Mobile Telecommunication Network
UNI	User-Network Interface
USCH	Uplink Shared Channel
UTRAN	UMTS Terrestrial Radio Access Network

4 ATM Layer

4.1 General

ATM shall be used in the transport network user plane and the transport network control plane according to I.361[7].

4.2 Protection Switching at ATM Layer

If redundancy of pathways at ATM layer between RNC and Node B is supported, it shall be implemented using ATM Protection Switching according to I.630 [8].

5 I_{ub} Data Transport for Common Transport Channel Data Streams

5.1 Introduction

This chapter specifies the transport layers that support Common Transport Channels (FACH, RACH, CPCH [FDD], DSCH, USCH [TDD]) data streams.

5.2 Transport Layer

ATM and AAL2 (I363.2 [1] and I366.1 [2]) is used at the standard transport layer for Iub RACH, CPCH [FDD] FACH, DSCH, USCH [TDD] data streams.

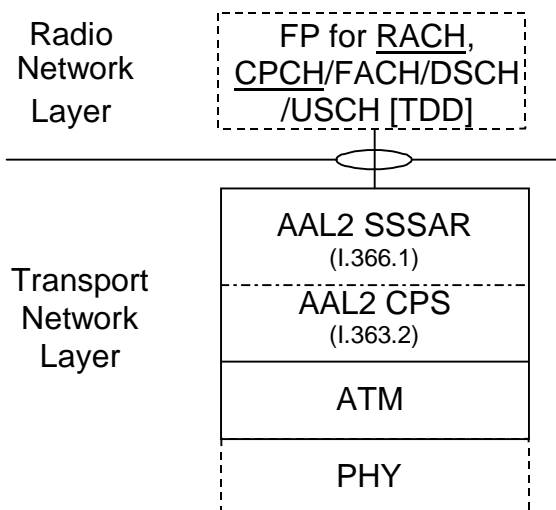


Figure 1: Protocol stack for RACH, CPCH [FDD], FACH, and DSCH Iub data stream transport

Figure 1 shows the protocol stack for the transport of RACH, CPCH [FDD], FACH, DSCH and USCH [TDD] Iub data streams. The Service Specific Segmentation and Reassembly (SSSAR) sublayer is used for the segmentation and reassembly of AAL2 SDUs (i.e. SSSAR is only considered from I366.1).

6 I_{ub} Transport Signalling for Common Transport Channel Data Streams

6.1 Introduction

This chapter specifies the transport signalling protocol(s) used to establish the user plane transport bearers. The protocol stack is shown in chapter 6 (Figure 2).

6.2 Transport Signalling

Q.2630.1 as development by ITU [3] is selected as the standard AAL2 signalling protocol for Iub.

7 Signalling Bearer for Transport Signalling on I_{ub} Interface

7.1 Introduction

This chapter specifies the signalling bearer protocol stack which supports the transport signalling protocol.

7.2 Signalling Bearer

SAAL-UNI is the standard signalling bearer for the AAL Type Signalling protocol (Q.2630.1) on Iub [4,5]. The protocol stack is shown in Figure 2 below.

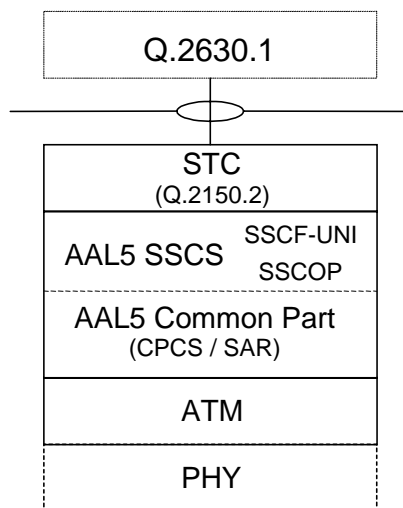


Figure 2: Transport Network Control plane protocol structure on Iub

Binding ID provided by the radio network layer shall be copied in SUGR parameter of ESTABLISH.request primitive of [3].

A signalling transport converter (STC) is shown in the protocol stack, since Q.2630.1 does not include this. The converter relevant for Iub is Q.2150.2 [6]. The AAL5 Common Part contains CPCS and SAR.

Annex A (informative): Change history

Change history					
TSG RAN#	Version	CR	Tdoc RAN	New Version	Subject/Comment
RAN_04	-	-	-	3.0.0	Approved by TSG-RAN by correspondence
RAN_05	3.0.0	-	-	3.1.0	Approved by TSG-RAN #5
RAN_07	3.1.0	-	-	3.2.0	Approved at TSG RAN #7
RAN_09	3.2.0	003	RP-000390	3.3.0	Approved at TSG RAN #9

History

Document history		
V3.1.0	January 2000	Publication
V3.2.0	March 2000	Publication
V3.3.0	September 2000	Publication