

# ETSI TS 129 214 V12.6.0 (2015-01)



**Universal Mobile Telecommunications System (UMTS);  
LTE;  
Policy and charging control over Rx reference point  
(3GPP TS 29.214 version 12.6.0 Release 12)**



---

**Reference**

RTS/TSGC-0329214vc60

---

**Keywords**

LTE,UMTS

**ETSI**

---

650 Route des Lucioles  
F-06921 Sophia Antipolis Cedex - FRANCE

Tel.: +33 4 92 94 42 00 Fax: +33 4 93 65 47 16

Siret N° 348 623 562 00017 - NAF 742 C  
Association à but non lucratif enregistrée à la  
Sous-Préfecture de Grasse (06) N° 7803/88

---

**Important notice**

The present document can be downloaded from:

<http://www.etsi.org>

The present document may be made available in electronic versions and/or in print. The content of any electronic and/or print versions of the present document shall not be modified without the prior written authorization of ETSI. In case of any existing or perceived difference in contents between such versions and/or in print, the only prevailing document is the print of the Portable Document Format (PDF) version kept on a specific network drive within ETSI Secretariat.

Users of the present document should be aware that the document may be subject to revision or change of status. Information on the current status of this and other ETSI documents is available at

<http://portal.etsi.org/tb/status/status.asp>

If you find errors in the present document, please send your comment to one of the following services:

[http://portal.etsi.org/chaicor/ETSI\\_support.asp](http://portal.etsi.org/chaicor/ETSI_support.asp)

---

**Copyright Notification**

No part may be reproduced or utilized in any form or by any means, electronic or mechanical, including photocopying and microfilm except as authorized by written permission of ETSI.

The content of the PDF version shall not be modified without the written authorization of ETSI.

The copyright and the foregoing restriction extend to reproduction in all media.

© European Telecommunications Standards Institute 2015.

All rights reserved.

**DECT™**, **PLUGTESTS™**, **UMTS™** and the ETSI logo are Trade Marks of ETSI registered for the benefit of its Members. **3GPP™** and **LTE™** are Trade Marks of ETSI registered for the benefit of its Members and of the 3GPP Organizational Partners.

**GSM®** and the GSM logo are Trade Marks registered and owned by the GSM Association.

---

## Intellectual Property Rights

IPRs essential or potentially essential to the present document may have been declared to ETSI. The information pertaining to these essential IPRs, if any, is publicly available for **ETSI members and non-members**, and can be found in ETSI SR 000 314: *"Intellectual Property Rights (IPRs); Essential, or potentially Essential, IPRs notified to ETSI in respect of ETSI standards"*, which is available from the ETSI Secretariat. Latest updates are available on the ETSI Web server (<http://ipr.etsi.org>).

Pursuant to the ETSI IPR Policy, no investigation, including IPR searches, has been carried out by ETSI. No guarantee can be given as to the existence of other IPRs not referenced in ETSI SR 000 314 (or the updates on the ETSI Web server) which are, or may be, or may become, essential to the present document.

---

## Foreword

This Technical Specification (TS) has been produced by ETSI 3rd Generation Partnership Project (3GPP).

The present document may refer to technical specifications or reports using their 3GPP identities, UMTS identities or GSM identities. These should be interpreted as being references to the corresponding ETSI deliverables.

The cross reference between GSM, UMTS, 3GPP and ETSI identities can be found under <http://webapp.etsi.org/key/queryform.asp>.

---

## Modal verbs terminology

In the present document "**shall**", "**shall not**", "**should**", "**should not**", "**may**", "**may not**", "**need**", "**need not**", "**will**", "**will not**", "**can**" and "**cannot**" are to be interpreted as described in clause 3.2 of the [ETSI Drafting Rules](#) (Verbal forms for the expression of provisions).

"**must**" and "**must not**" are **NOT** allowed in ETSI deliverables except when used in direct citation.

# Contents

Intellectual Property Rights .....	2
Foreword.....	2
Modal verbs terminology.....	2
Foreword.....	6
1 Scope .....	7
2 References .....	7
3 Definitions and abbreviations.....	8
3.1 Definitions .....	8
3.2 Abbreviations .....	9
4 Rx reference point .....	10
4.1 Overview .....	10
4.2 Rx reference model .....	10
4.3 Functional elements.....	11
4.3.1 AF .....	11
4.3.2 PCRF .....	12
4.4 PCC procedures over Rx reference point .....	12
4.4.1 Initial Provisioning of Session Information .....	12
4.4.2 Modification of Session Information .....	15
4.4.3 Gate Related Procedures .....	16
4.4.4 AF Session Termination .....	17
4.4.5 Subscription to Notification of Signalling Path Status .....	17
4.4.5a Provisioning of AF Signalling Flow Information .....	18
4.4.6 Traffic Plane Events.....	18
4.4.6.1 IP-CAN Session Termination.....	18
4.4.6.2 Service Data Flow Deactivation.....	19
4.4.6.3 Notification of Signalling Path Status .....	19
4.4.6.4 IP-CAN type change Notification .....	20
4.4.6.5 Access Network Charging Information Notification.....	20
4.4.6.6 Reporting Usage for Sponsored Data Connectivity .....	20
4.4.6.7 Reporting Access Network Information.....	21
4.4.6.8 Temporary Network Failure handling .....	21
4.4.7 P-CSCF Restoration Enhancement Support .....	22
5 Rx protocol.....	22
5.1 Protocol support .....	22
5.2 Initialization, maintenance and termination of connection and session.....	23
5.3 Rx specific AVPs .....	23
5.3.1 Abort-Cause AVP .....	24
5.3.2 Access-Network-Charging-Address AVP .....	25
5.3.3 Access-Network-Charging-Identifier AVP.....	25
5.3.4 Access-Network-Charging-Identifier-Value AVP.....	25
5.3.5 AF-Application-Identifier AVP .....	25
5.3.6 AF-Charging-Identifier AVP .....	26
5.3.7 Codec-Data AVP .....	26
5.3.8 Flow-Description AVP .....	26
5.3.9 Flow-Number AVP.....	27
5.3.10 Flows AVP.....	27
5.3.11 Flow-Status AVP .....	27
5.3.12 Flow-Usage AVP.....	28
5.3.13 Specific-Action AVP .....	28
5.3.14 Max-Requested-Bandwidth-DL AVP.....	30
5.3.15 Max-Requested-Bandwidth-UL AVP.....	31
5.3.16 Media-Component-Description AVP .....	31

5.3.17	Media-Component-Number AVP .....	32
5.3.18	Media-Sub-Component AVP .....	32
5.3.19	Media-Type AVP .....	32
5.3.20	RR-Bandwidth AVP .....	33
5.3.21	RS-Bandwidth AVP .....	33
5.3.22	SIP-Forking-Indication AVP .....	33
5.3.23	Service-URN AVP .....	33
5.3.24	Acceptable-Service-Info AVP .....	33
5.3.25	Service-Info-Status-AVP .....	34
5.3.26	AF-Signalling-Protocol-AVP .....	34
5.3.27	Sponsored-Connectivity-Data AVP .....	34
5.3.28	Sponsor-Identity AVP .....	34
5.3.29	Application-Service-Provider-Identity AVP .....	35
5.3.30	MPS-Identifier AVP .....	35
5.3.31	Rx-Request-Type AVP .....	35
5.3.32	Min-Requested-Bandwidth-DL AVP .....	35
5.3.33	Min-Requested-Bandwidth-UL AVP .....	35
5.3.34	Required-Access-Info AVP .....	35
5.3.35	IP-Domain-Id AVP .....	36
5.3.36	GCS-Identifier AVP .....	36
5.4	Rx re-used AVPs .....	36
5.4.1	Use of the Supported-Features AVP on the Rx reference point .....	38
5.5	Rx specific Experimental-Result-Code AVP values .....	40
5.6	Rx messages .....	41
5.6.1	AA-Request (AAR) command .....	41
5.6.2	AA-Answer (AAA) command .....	41
5.6.3	Re-Auth-Request (RAR) command .....	42
5.6.4	Re-Auth-Answer (RAA) command .....	42
5.6.5	Session-Termination-Request (STR) command .....	43
5.6.6	Session-Termination-Answer (STA) command .....	43
5.6.7	Abort-Session-Request (ASR) command .....	43
5.6.8	Abort-Session-Answer (ASA) command .....	44
<b>Annex A (normative): IMS Related P-CSCF Procedures over Rx .....</b>		<b>45</b>
A.1	Provision of Service Information at P-CSCF .....	45
A.2	Enabling of IP Flows .....	46
A.3	Support for SIP forking .....	47
A.3.1	PCC rule provisioning for early media for forked responses .....	47
A.3.2	Updating the provisioned PCC rules at the final answer .....	47
A.4	Notification of AF Signalling Transmission Path Status .....	48
A.5	Indication of Emergency Session .....	48
A.6	Notification IP-CAN Type Change .....	48
A.7	Support for Early Session disposition SDP .....	49
A.7.1	General .....	49
A.7.2	Service Information Provisioning for Early Media .....	49
A.7.3	Updating the Provisioned Service Information when Dialogue is established .....	50
A.8	Provision of Signalling Flow Information at P-CSCF .....	50
A.9	Handling of MPS Session .....	50
A.10	Retrieval of network provided location information .....	51
A.10.1	General .....	51
A.10.2	Retrieval of network provided location information at originating P-CSCF for inclusion in SIP Request .....	51
A.10.3	Retrieval of network provided location information at originating P-CSCF for inclusion in SIP response confirmation .....	51
A.10.4	Retrieval of network provided location information at terminating P-CSCF .....	52
A.10.5	Provisioning of network provided location information at SIP session release .....	52
A.10.6	Handling of RAN/NAS release cause values .....	53

<b>Annex B (normative):</b>	<b>Flow identifiers: Format definition and examples</b> .....	<b>54</b>
B.1	Format of a flow identifier .....	54
B.1.1	General .....	54
B.1.2	Derivation of Flow Identifiers from SDP .....	55
B.1.2.1	Standard Procedure .....	55
B.1.2.2	SDP with 'early session' disposition type.....	55
B.2	Example 1.....	55
B.3	Example 2.....	56
B.4	Example 3 without media components.....	57
B.5	Example 4.....	58
<b>Annex C (informative):</b>	<b>Void</b> .....	<b>60</b>
<b>Annex D (informative):</b>	<b>Change history</b> .....	<b>61</b>
History .....		64

---

## Foreword

This Technical Specification has been produced by the 3<sup>rd</sup> Generation Partnership Project (3GPP).

The contents of the present document are subject to continuing work within the TSG and may change following formal TSG approval. Should the TSG modify the contents of the present document, it will be re-released by the TSG with an identifying change of release date and an increase in version number as follows:

Version x.y.z

where:

- x the first digit:
  - 1 presented to TSG for information;
  - 2 presented to TSG for approval;
  - 3 or greater indicates TSG approved document under change control.
- Y the second digit is incremented for all changes of substance, i.e. technical enhancements, corrections, updates, etc.
- z the third digit is incremented when editorial only changes have been incorporated in the document.

---

# 1 Scope

The present document provides the stage 3 specification of the Rx reference point for the present release. The functional requirements and the stage 2 specifications of the Rx reference point are contained in 3GPP TS 23.203 [2]. The Rx reference point lies between the Application Function and the Policy and Charging Rule Function. The Rx interface which is based on RESTful HTTP and XML is specified in 3GPP TS 29.201 [37].

Whenever it is possible the present document specifies the requirements for the protocol by reference to specifications produced by the IETF within the scope of Diameter. Where this is not possible, extensions to Diameter are defined within the present document.

---

# 2 References

The following documents contain provisions which, through reference in this text, constitute provisions of the present document.

- References are either specific (identified by date of publication and/or edition number or version number) or non-specific.
- For a specific reference, subsequent revisions do not apply.
- For a non-specific reference, the latest version applies. In the case of a reference to a 3GPP document (including a GSM document), a non-specific reference implicitly refers to the latest version of that document *in the same Release as the present document*.

- [1] 3GPP TR 21.905: 'Vocabulary for 3GPP Specifications'.
- [2] 3GPP TS 23.203: 'Policy and Charging Control architecture'.
- [3] void
- [4] void
- [5] 3GPP TS 29.209: 'Policy control over Gq interface', latest Rel-6 version.
- [6] void
- [7] 3GPP TS 29.211: 'Rx Interface and Rx/Gx signalling flows', latest Rel-6 version.
- [8] 3GPP TS 29.212: 'Policy and Charging Control (PCC); Reference points'.
- [9] 3GPP TS 29.213: 'Policy and Charging Control signalling flows and QoS parameter mapping'.
- [10] IETF RFC 3588: 'Diameter Base Protocol'.
- [11] IETF RFC 3556: 'Session Description Protocol (SDP) Bandwidth Modifiers for RTP Control Protocol (RTCP) Bandwidth'.
- [12] IETF RFC 4005: 'Diameter Network Access Server Application'.
- [13] IETF RFC 4566 : 'SDP : Session Description Protocol'.
- [14] IETF RFC 4006: 'Diameter Credit Control Application'.
- [15] ETSI TS 183 017 v3.2.1: 'Telecommunications and Internet Converged Services and Protocols for Advanced Networking (TISPAN); Resource and Admission Control: DIAMETER protocol for session based policy set-up information exchange between the Application Function (AF) and the Service Policy Decision Function (SPDF); Protocol specification'.
- [16] 3GPP TS 23.228: 'IP Multimedia Subsystem (IMS); Stage 2'.
- [17] 3GPP TS 24.229: 'IP Multimedia Call Control Protocol based on SIP and SDP; Stage 3'.



- [18] IETF RFC 3264: 'An Offer/Answer Model with the Session Description Protocol (SDP).'
- [19] Void
- [20] IETF RFC 3162: 'Radius and Ipv6'.
- [21] IETF RFC 5031: 'A Uniform Resource Name (URN) for Emergency and Other Well-Known Services'.
- [22] Void
- [23] 3GPP TS 32.240: 'Telecommunication management; Charging management; Charging architecture and principles'.
- [24] 3GPP TS 32.299: 'Telecommunication management; Charging management; Diameter charging applications'.
- [25] 3GPP TS 29.229: 'Cx and Dx interfaces based on the Diameter protocol; Protocol details'
- [26] 3GPP TS 24.292: 'IP Multimedia (IM) Core Network (CN) subsystem Centralized Services (ICS); Stage 3'.
- [27] IETF RFC 3959 (December 2004): 'The Early Session Disposition Type for the Session Initiation Protocol (SIP)'.
- [28] 3GPP TS 23.380: 'IMS Restoration Procedures'.
- [29] 3GPP TS 23.335: 'User Data Convergence (UDC); Technical realization and information flows; Stage 2'.
- [30] 3GPP TS 29.335: 'User Data Convergence (UDC); User Data Repository Access Protocol over the Ud interface; Stage 3'.
- [31] 3GPP TS 22.153: 'Multimedia Priority Service'.
- [32] Void
- [33] 3GPP TS 29.274: '3GPP Evolved Packet System. Evolved GPRS Tunnelling Protocol for EPS (GTPv2)'.
- [34] 3GPP TS 29.061: 'Interworking between the Public Land Mobile Network (PLMN) supporting packet based services and Packet Data Networks (PDN)'.
- [35] IETF draft-ietf-dime-ovli-02: "Diameter Overload Indication Conveyance".
- Editor's note:** The above document cannot be formally referenced until it is published as an RFC
- [36] 3GPP TS 23.468: "Group Services and System Aspects; Group Communication System Enablers for LTE (GCSE LTE) "
- [37] 3GPP TS 29.201: "Representational State Transfer (REST) reference point between Application Function (AF) and Protocol Converter (PC)"

---

## 3 Definitions and abbreviations

### 3.1 Definitions

For the purposes of the present document, the terms and definitions given in 3GPP TR 21.905 [1] and the following apply:

**Application Function (AF):** element offering application(s) that use IP bearer resources

NOTE: One example of an AF is the P-CSCF of the IM CN subsystem.

**AF Session:** application level session established by an application level signalling protocol offered by the AF that requires a session set-up with explicit session description before the use of the service.

NOTE: One example of an application session is an IMS session.

**Attribute-Value Pair (AVP):** See RFC 3588 [10], corresponds to an Information Element in a Diameter message.

**Binding:** PCRF process of associating IP flows described in AF Service Information with IP-CAN bearers.

**IP-CAN bearer:** IP transmission path of defined capacity, delay and bit error rate, etc.  
See 3GPP TS 21.905 [1] for the definition of bearer.

**IP-CAN session:** association between a UE and an IP network (for GPRS, APN).  
The association is identified by one UE Ipv4 address and/or one Ipv6 prefix together with a UE identity information, if available, and a PDN represented by a PDN ID (e.g. an APN). An IP-CAN session incorporates one or more IP-CAN bearers. Support for multiple IP-CAN bearers per IP-CAN session is IP-CAN specific. An IP-CAN session exists as long as the related UE Ipv4 address and/or Ipv6 prefix are assigned and announced to the IP network.

**IP flow:** unidirectional flow of IP packets with the same source IP address and port number and the same destination IP address and port number and the same transport protocol  
Port numbers are only applicable if used by the transport protocol.

**MPS session:** A session for which priority treatment is applied for allocating and maintaining radio and network resources to support the Multimedia Priority Service (MPS). MPS is defined in 3GPP TS 22.153 [31].

**Packet flow:** A specific user data flow carried through the PCEF. A packet flow can be an IP flow.

**PCC rule:** set of information enabling the detection of a service data flow and providing parameters for policy control and/or charging control

**RESTful HTTP:** is an architectural style consisting of a coordinated set of architectural constraints applied to components, connectors, and data elements, within a distributed hypermedia system applied to the development of web services

**service information:** set of information conveyed from the AF to the PCRF over the Rx interface to be used as a basis for PCC decisions at the PCRF, including information about the AF session (e.g. application identifier, type of media, bandwidth, IP address and port number)

**service data flow:** An aggregate set of packet flows.

## 3.2 Abbreviations

For the purpose of the present document, the abbreviations given in 3GPP TR 21.905 [1] and the following apply:

ADC	Application Detection and Control
AF	Application Function
ASP	Application Service Provider
AVP	Attribute Value Pair
CRF	Charging Rules Function
GCS	Group Communication Service
GCS AS	Group Communication Service Application Server
IP-CAN	IP Connectivity Access Network
MPS	Multimedia Priority Service
PCC	Policy and Charging Control
PCEF	Policy and Charging Enforcement Function
PCRF	Policy and Charging Rule Function
PDF	Policy Decision Function
P-CSCF	Proxy-Call Session Control Function
QoS	Quality of Service
SDF	Service Data Flow
SPR	Subscriber Profile Repository
TDF	Traffic Detection Function
UDC	User Data Convergence

UE	User Equipment
UDR	User Data Repository
XML	Extensible Markup Language

## 4 Rx reference point

### 4.1 Overview

The Rx reference point is used to exchange application level session information between the Policy and Charging Rules Function (PCRF) and the Application Function (AF). As defined in the stage 2 specifications (3GPP TS 23.203 [2]), this information is part of the input used by the PCRF for the Policy and Charging Control (PCC) decisions. The PCRF exchanges the PCC rules with the Policy and Charging Enforcement Function (PCEF) and QoS rules with the Bearer Binding and Event Reporting Function (BBERF) as specified in 3GPP TS 29.212 [8].

Signalling flows related to the both Rx and Gx interfaces are specified in 3GPP TS 29.213 [9].

Refer to Annex G of 3GPP TS 29.213 [9] for Diameter overload control procedures over the Rx interface.

### 4.2 Rx reference model

The Rx reference point is defined between the PCRF and the AF. The relationships between the different functional entities involved are depicted in figure 4.1. and 4.2.

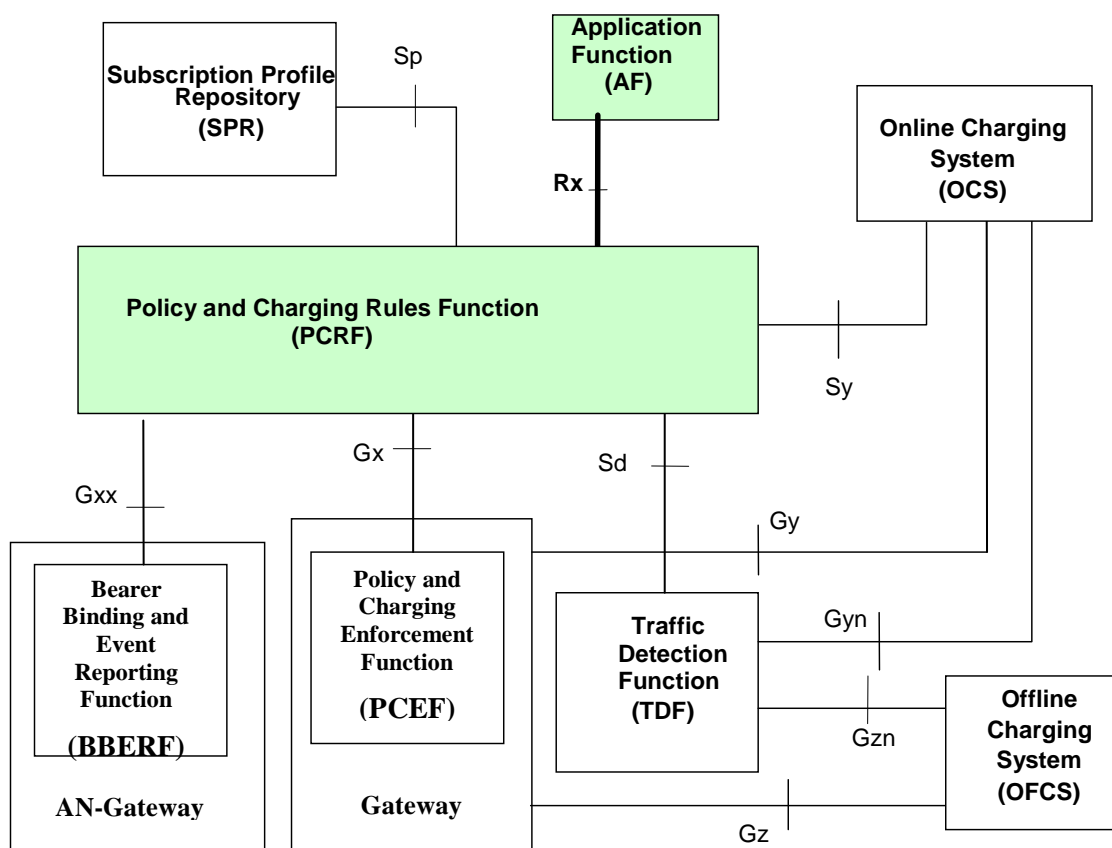
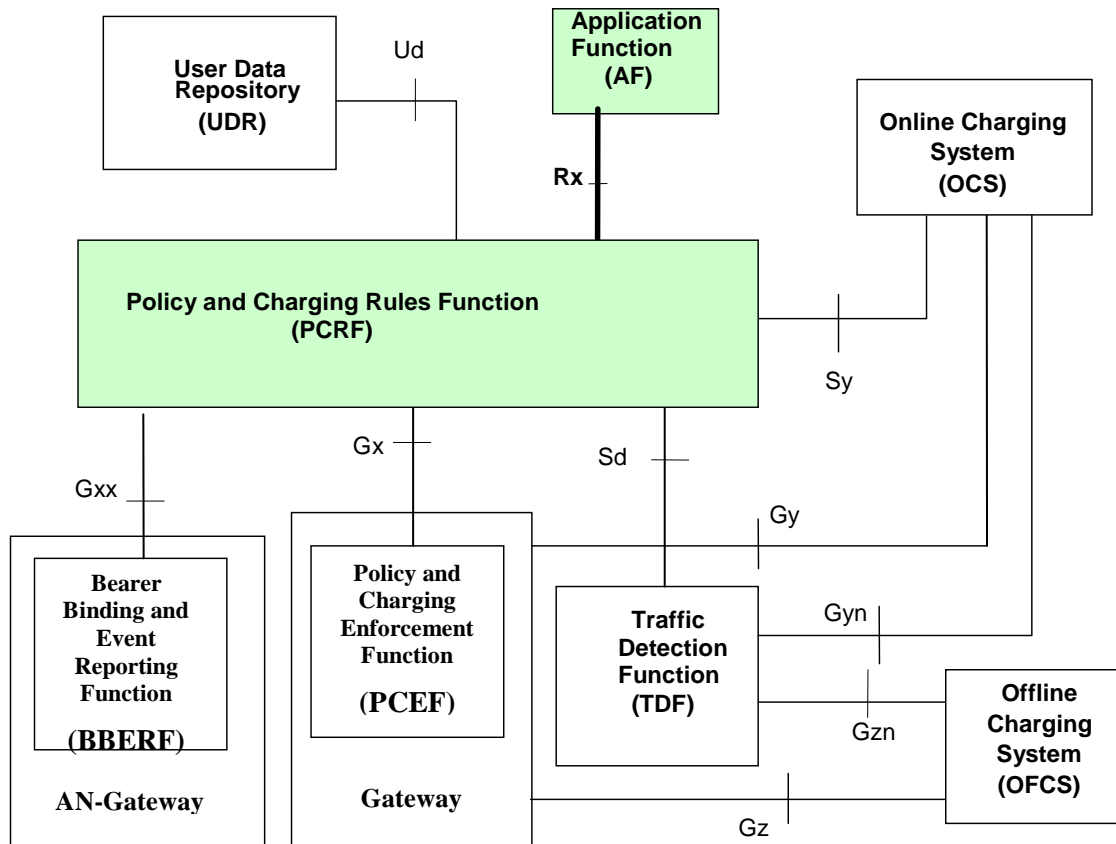


Figure 4.1: Rx reference point at the Policy and Charging Control (PCC) architecture with SPR

NOTE 1: The PCEF may support Application Detection and Control feature.

With the UDC-based architecture, as defined in 3GPP TS 23.335 [29] and applied in 3GPP TS 23.203 [2], the UDR replaces SPR and the Ud reference point provides access to the subscription data in the UDR. The Ud interface as

defined in 3GPP TS 29.335 [30] is the interface between the PCRF and the UDR. The relationships between the different functional elements are depicted in figure 4.2. When UDC architecture is used, SPR and Sp, whenever mentioned in this document, are replaced by UDR and Ud.



**Figure 4.2: Rx reference point at the Policy and Charging Control (PCC) architecture with UDR**

NOTE 2: The details associated with the Sp reference point are not specified in this Release. The SPR's relation to existing subscriber databases is not specified in this Release.

NOTE 3: The UDC Application Informational Model related to the PCRF is not specified in this Release.

NOTE 4: The PCEF may support Application Detection and Control feature.

NOTE 5: PCEF is located in the Gateway node implementing the IP access to the PDN. Refer to Annexes of 3GPP TS 23.203 [2] for application to specific IP-CAN types.

NOTE 6: Refer to Annexes A.5 and H.2 of 3GPP TS 23.203 [2] for application of AN-Gateways.

## 4.3 Functional elements

### 4.3.1 AF

The AF is an element offering applications that require the Policy and Charging Control of traffic plane resources (e.g. UMTS PS domain/GPRS domain resources). One example of an application function is the P-CSCF. The AF shall use the Rx reference point to provide session information to the PCRF.

NOTE: The Afs may be deployed by the same operator offering the IP-CAN or may be provided by external third party service provider.

## 4.3.2 PCRF

The PCRF (Policy Control and Charging Rules Function) is a functional element that encompasses policy control decision and flow based charging control functionalities. These 2 functionalities are the heritage of the release 6 logical entities PDF and CRF respectively. The PCRF provides network control regarding the service data flow detection, gating, QoS and flow based charging (except credit management) towards the PCEF. The PCRF receives session and media related information from the AF and informs AF of traffic plane events.

The PCRF may check that the service information provided by the AF is consistent with the operator defined policy rules before storing the service information. The service information shall be used to derive the QoS for the service. The PCRF may reject the request received from the AF and as a result the PCRF shall indicate, in the response to the AF, the service information that can be accepted by the PCRF.

The PCRF may use the subscription information as basis for the policy and charging control decisions. The subscription information may apply for both session based and non-session based services. The subscription specific information for each service may contain e.g. max QoS class and max bit rate.

If the AF requests it, the PCRF shall report IP-CAN session events (including bearer events and events on AF signalling transport) to the AF via the Rx reference point.

The PCRF PCC/QoS Rule decisions may be based on one or more of the following:

- the session and media related information obtained from the AF via the Rx reference point;
- the bearer and subscriber related information obtained from the PCEF over the Gx reference point;
- the bearer and subscriber related information obtained from the BBERF over the Gxx reference point;
- subscriber and service related data the PCRF may be aware of by configuration or through the Sp reference point;
- pre-configured information in the PCRF.

NOTE: The details associated with the Sp reference point are not specified in this Release. The SPR's relation to existing subscriber databases is not specified in this Release.

The PCRF shall provision PCC/QoS Rules to the PCEF/BBERF via the Gx/Gxx reference point.

## 4.4 PCC procedures over Rx reference point

### 4.4.1 Initial Provisioning of Session Information

When a new AF session is being established and media information for this AF session is available at the AF and the related media require PCC supervision, the AF shall open an Rx Diameter session with the PCRF for the AF session using an AA-Request command, unless an Rx session has already been established for the AF session (e.g. as per subclause 4.4.6.7). If an Rx Diameter session already exists for the AF session, the AF uses the existing Rx Diameter session. The AF shall provide the full IP address of the UE using either Framed-IP-Address AVP or Framed-Ipv6-Prefix AVP, and the corresponding Service Information within Media-Component-Description AVP(s). The AF shall not include circuit-switched bearer related media in the service information sent to the PCRF. The AF shall indicate to the PCRF as part of the Media-Component-Description whether the media IP flow(s) should be enabled or disabled with the Flow-Status AVP.

NOTE 1: The AF does not need to open an Rx Diameter session with the PCRF, if the SDP payload is only proposing to use a circuit-switched bearer (i.e. 'c=' line set to 'PSTN' and an 'm=' line set to 'PSTN', refer to 3GPP TS 24.292 [26]).

NOTE 2: The Rx Diameter session used for an AF session is different from the Rx Diameter session possibly used for the notifications of the status of the AF signalling transmission path. A new Rx Diameter session is established for each new AF session.

The AF may include the AF-Application-Identifier AVP into the AA-Request in order to indicate the particular service that the AF session belongs to. This AVP can be provided at both AF session level, and Media-Component-Description

level. When provided at both levels, the AF-Application Identifier provided within the Media-Component-Description AVP will have precedence.

The AF may include the AF-Charging-Identifier AVP into the AA-Request for charging correlation purposes. The AF may also include the Specific-Action AVP to request notification for certain user plane events, e.g. bearer termination.

The AF may include the Service-URN AVP in order to indicate that the new AF session relates to emergency traffic. If the PCRF receives the Service-URN AVP indicating an emergency session, the PCRF may apply special policies, for instance prioritising service flows relating to the new AF session or allowing these service flows free of charge.

The AF may include the MPS-Identifier AVP in order to indicate that the new AF session relates to an MPS session. If the PCRF receives the MPS-Identifier AVP indicating an MPS session, the PCRF may take specific actions on the corresponding IP-CAN to ensure that the MPS session is prioritized as specified in 3GPP TS 29.212 [8]. For Multimedia Priority Service handling, see Annex A.9.

When the AF is a GCS AS, it may include the GCS-Identifier AVP at command level and Reservation-Priority AVP at command level or media component level in order to indicate that the new AF session relates to a prioritized Group Communication session. Based on this information, the PCRF may take specific actions on the corresponding IP-CAN to ensure that the Group Communication session is prioritized as specified in 3GPP TS 29.212 [8].

If the AF provides service information that has been fully negotiated (e.g. based on the SDP answer), the AF may include the Service-Info-Status AVP set to FINAL\_SERVICE\_INFORMATION. In this case the PCRF shall authorize the session and provision the corresponding PCC/QoS rules to the PCEF/BBERF.

The AF may additionally provide preliminary service information not fully negotiated yet (e.g. based on the SDP offer) at an earlier stage. To do so, the AF shall include the Service-Info-Status AVP with the value set to PRELIMINARY\_SERVICE\_INFORMATION. Upon receipt of such preliminary service information, the PCRF shall perform an early authorization check of the service information. For GPRS, the PCRF shall not provision PCC rules towards the PCEF unsolicitedly. However, the PCRF may authorize a PCC/QoS rule request received from the PCEF/BBERF as per 3GPP TS 29.212 [8]. Further, if the AF requests the PCRF to report the access network information together with preliminary service information, the PCRF shall immediately configure the PCEF (or BBERF) to provide the access network information.

For sponsored data connectivity, the AF shall provide the application service provider identity and the sponsor identity to the PCRF by including the Application-Service-Provider-Identity AVP and the Sponsor-Identity AVP in the Sponsored-Connectivity-Data AVP in the AA-Request.

NOTE 3: The relationship between the AF and Sponsor is out of scope of this specification. A single AF can serve multiple ASPs and multiple sponsors, An ASP can also be a sponsor.

To support the usage monitoring of sponsored data connectivity, the AF may also include the Granted-Service-Unit AVP in the Sponsored-Connectivity-Data AVP and the Specific-Action AVP set to the value USAGE\_REPORT in the AA-Request to request notification when the usage threshold has been reached.

NOTE 4: If the AF is in the user plane, the AF can handle the usage monitoring and therefore it is not required to provide a usage threshold to the PCRF as part of the sponsored data connectivity information.

If the UE is roaming with the visited access case and the AF is located in the HPLMN or roaming with the home routed case and operator policies do not allow accessing the sponsored data connectivity with this roaming case, the H-PCRF shall reject the service request indicating UNAUTHORIZED\_SPONSORED\_DATA\_CONNECTIVITY to the AF.

If the UE is roaming with the visited access case and the AF is located in the VPLMN, the V-PCRF shall reject the service request indicating UNAUTHORIZED\_SPONSORED\_DATA\_CONNECTIVITY to the AF.

If the UE is in the non-roaming case or roaming with the home routed case and the operator policies allow accessing the sponsored data connectivity with this roaming case, the following procedures apply:

- If the PCEF does not support sponsored connectivity and the required reporting level for that service indicates a sponsored connectivity level according to 3GPP TS 29.212 [8], subclause 4.5.20, then the PCRF shall reject the request indicating REQUESTED\_SERVICE\_NOT\_AUTHORIZED.
- If the PCEF supports sponsored data connectivity feature or the required reporting level is different from sponsored connectivity level as described in 3GPP TS 29.212[8], then the PCRF, based on operator policies,

shall check whether it is required to validate the sponsored connectivity data. If it is required, it shall perform the authorizations based on sponsored data connectivity profiles. If the authorization fails, the PCRF responds to the AF with an AA-Answer including the Experimental-Result-Code AVP set to the value UNAUTHORIZED\_SPONSORED\_DATA\_CONNECTIVITY. The profile may include a list of Application Service Providers and their applications per sponsor.

NOTE 5: If the AF is in the operator's network and is based on the OSA/Parlay-X GW, the PCRF is not required to verify that a trust relationship exists between the operator and the sponsors.

When the PCRF receives an initial AA-Request from the AF, the PCRF shall perform session binding as described in 3GPP TS 29.213 [9]. To allow the PCRF to identify the IP-CAN session for which this request applies, the AF shall provide either the Framed-IP-Address or the Framed-Ipv6-Prefix containing the full IP address applicable to an IP flow or IP flows towards the UE. In case of private IP address being used, the AF may provide PDN information if available in the Called-Station-Id AVP for session binding. The AF may provide the domain identity in the IP-Domain-Id AVP for session binding.

NOTE 6: The IP-Domain-Id AVP is helpful in the following scenario: Within a PLMN, there are several separate IP address domains, with PCEF(s) that allocate Ipv4 IP addresses out of the same private address range to Ues. The same IP address can thus be allocated to Ues served by PCEFs in different address domains. If one PCRF controls several PCEFs in different IP address domains, the UE IP address is thus not sufficient for the session binding. An AF can serve Ues in different IP address domains, either by having direct IP interfaces to those domains, or by having interconnections via NATs in the user plane between PCEFs and the AF. If a NAT is used, the AF obtains the IP address allocated to the UE via application level signalling and supplies it for the session binding as Framed-IP-Address to the PCRF. The AF supplies an IP-Domain-Id value denoting the IP address domain behind the NAT in addition. The AF can derive the appropriate value from the source address (allocated by the NAT) of incoming user plane packets.

NOTE 7: When the scenario described in NOTE 6 applies and the AF is a P-CSCF it is assumed that the P-CSCF has direct IP interfaces to the different IP address domains and that no NAT is located between P-GW and P-CSCF. How a non-IMS AF obtains the UE private IP address to be provided to the PCRF is out of scope of the present release; it is unspecified how to support applications that use a protocol that does not retain the original UE's private IP address.

If the PCRF fails in executing session binding, the PCRF responds to the AF with an AA-Answer including the Experimental-Result-Code AVP set to the value IP-CAN\_SESSION\_NOT\_AVAILABLE. Further details on how the PCRF identifies suitable IP-CAN sessions can be found in the binding mechanism described in 3GPP TS 29.213 [9].

If the request contains Media-Component-Description Attribute-Value Pair(s) (AVP(s)) the PCRF shall store the received Service Information. The PCRF shall process the received Service Information according to the operator policy and may decide whether the request is accepted or not. The PCRF may take the priority information within the Reservation-Priority AVP into account when making this decision. If the service information provided in the AA-Request command is rejected (e.g. the subscribed guaranteed bandwidth for a particular user is exceeded), the PCRF shall indicate in the AA-Answer the cause for the rejection with the Experimental-Result-Code AVP set to the value REQUESTED\_SERVICE\_NOT\_AUTHORIZED. The PCRF may additionally provide the acceptable bandwidth within the Acceptable-Service-Info AVP.

To allow the PCRF and PCEF to perform PCC rule authorization and bearer binding for the described service IP flows, the AF shall supply both source and destination IP addresses and port numbers within the Flow-Description AVP, if such information is available.

NOTE: In SDP source port information is usually not available.

The AF may specify the Reservation-Priority AVP at request level in the AA-Request in order to assign a priority to the AF Session as well as specify the Reservation-Priority AVP at the media-component-description AVP level to assign a priority to the IP flow. The presence of the Reservation-Priority in both levels does not constitute a conflict as they each represent different types of priority. Specifically the Reservation-Priority at the AA-Request level provides the relative priority for a session while the Reservation-Priority at the media-component-description level provides the relative priority for an IP flow within a session. If the Reservation-Priority AVP is not specified the requested priority is DEFAULT (0).

The AF may request notifications of specific IP-CAN session events through the usage of the Specific-Action AVP in the AA-Request command. The PCRF shall make sure to inform the AF of the requested notifications in the event that they take place.

The AF may include the Rx-Request-Type AVP set to INITIAL\_REQUEST in the AAR.

The PCRF shall check whether the received Service Information requires PCC/QoS Rules to be created and provisioned and/or authorized QoS to be provisioned. Provisioning of PCC/QoS Rules and Authorized QoS to the PCEF/BBERF shall be carried out as specified at 3GPP TS 29.212 [8].

The PCRF shall reply with an AA-Answer to the AF. The acknowledgement towards the AF should take place before or in parallel with any required PCC Rule provisioning towards the PCEF and shall include the Access-Network-Charging-Identifier(s) and may include the Access-Network-Charging-Address AVP, if they are available. The AA-Answer message shall also include the IP-CAN-Type AVP, if such information is available. In that case, the AA-Answer message shall also include the RAT-Type AVP when applicable for the specific IP-CAN Type (e.g. 3GPP IP-CAN Type). In addition, if IP flow mobility applies to service data flows as specified in 3GPP TS 29.212 [8], such that a subset of the flows within the AF session are affected, the PCRF shall also include IP-CAN-type and RAT-type information (if applicable) to IP flow mobility related flows, if such information is available. The IP flow mobility affected service data flows are included within the Flows AVP at command level. If the PCRF needs to terminate the Rx session before it has sent the AA Answer, the PCRF shall send the AA Answer immediately and before the AS Request.

The behaviour when the AF does not receive the AA Answer, or when it arrives after the internal timer waiting for it has expired, or when it arrives with an indication different than DIAMETER\_SUCCESS, are outside the scope of this specification and based on operator policy.

If the PCRF fails in installing PCC/QoS rules based on the provided service information due to resource allocation failure as specified in 3GPP TS 29.212 [8] and if requested by the AF, the PCRF shall send an RAR command to the AF with the Specific-Action AVP set to the value INDICATION\_OF\_FAILED\_RESOURCES\_ALLOCATION to report the resource allocation failure. The AF shall send an RAA command to acknowledge the RAR command

#### 4.4.2 Modification of Session Information

The AF may modify the session information at any time (e.g. due to an AF session modification or internal AF trigger) by sending an AA-Request command to the PCRF containing the Media-Component-Description AVP(s) with the updated Service Information. The AF shall send an AA-Request command to the PCRF, only after the previous AA-Request has been acknowledged.

If the AF provides service information that has been fully negotiated (e.g. based on the SDP answer), the AF may include the Service-Info-Status AVP set to FINAL\_SERVICE\_INFORMATION. In this case the PCRF shall authorize the session and provision the corresponding PCC rules to the PCEF.

The AF may additionally provide preliminary service information not fully negotiated yet (e.g. based on the SDP offer) at an earlier stage. To do so, the AF shall include the Service-Info-Status AVP with the value set to PRELIMINARY\_SERVICE\_INFORMATION. Upon receipt of such preliminary service information, the PCRF shall perform an early authorization check of the service information. For GPRS, the PCRF shall not provision PCC rules towards the PCEF unsolicitedly. However, the PCRF may authorize a PCC/QoS rule request received from the PCEF/BBERF as per 3GPP TS 29.212 [8]. Further, if the AF requests the PCRF to report the access network information together with preliminary service information, the PCRF shall immediately configure the PCEF (or BBERF) to provide the access network information.

The AF may include the Rx-Request-Type AVP set to UPDATE\_REQUEST in the AAR.

The AF may include the MPS-Identifier AVP in order to indicate that the modified AF session relates to an MPS session. If the PCRF receives the MPS-Identifier AVP, it may take specific actions on the corresponding IP-CAN to ensure that the MPS session is prioritized as defined in 3GPP TS 29.212 [8]. For Multimedia Priority Service handling, see Annex A.9.

When the AF is a GCS AS, it may include the GCS-Identifier AVP at command level and Reservation-Priority AVP at command level or media component level in order to modify the priority of an AF session that relates to a prioritized Group Communication session. Based on this information, the PCRF may take specific actions on the corresponding IP-CAN to ensure that the Group Communication session is prioritized as specified in 3GPP TS 29.212 [8].



For sponsored data connectivity, the AF shall provide the application service provider identity and the sponsor identity to the PCRF by including Application-Service-Provider-Identity AVP and the Sponsor-Identity AVP in the Sponsored-Connectivity-Data AVP in the AA-Request.

To support the usage monitoring of sponsored data connectivity, the AF may also include the Granted-Service-Unit AVP in the Sponsored-Connectivity-Data AVP in the AA-Request.

**NOTE:** If the AF is in the user plane, the AF can handle the usage monitoring and therefore it is not required to provide a usage threshold to the PCRF as part of the sponsored data connectivity information.

The PCRF shall process the received Service Information according the operator policy and may decide whether the request is accepted or not. If the updated Service Information is not acceptable (e.g. subscribed guaranteed bandwidth for a particular user is exceeded), the PCRF shall indicate in the AA-Answer the cause for the rejection with the Experimental-Result-Code AVP set to the value REQUESTED\_SERVICE\_NOT\_AUTHORIZED. The PCRF may additionally provide the acceptable bandwidth within the Acceptable-Service-Info AVP.

If accepted, the PCRF shall update the Service Information with the new information received. Due to the updated Service Information, the PCRF may need to create, modify or delete the related PCC rules and provide the updated information towards the PCEF following the corresponding procedures specified at 3GPP TS 29.212 [8]. The procedures to update the Authorized QoS for the affected IP-CAN bearer are also specified at 3GPP TS 29.212 [8].

The PCRF shall reply with an AA-Answer to the AF. The acknowledgement towards the AF should take place before or in parallel with any required PCC Rule provisioning towards the PCEF and shall include the Access-Network-Charging-Identifier(s) and may include the Access-Network-Charging-Address AVP, if they are available at this moment and have not been yet supplied earlier to the AF. The AA-Answer message shall include the IP-CAN-Type AVP if such information is available and has not yet been supplied earlier to the AF. In that case, the AA-Answer message shall also include the RAT-Type AVP when applicable for the specific IP-CAN Type (e.g. 3GPP IP-CAN Type). In addition, if IP flow mobility applies to service data flows as specified in 3GPP TS 29.212 [8], such that a subset of the flows within the AF session are affected, the PCRF shall also include IP-CAN-type and RAT-type information (if applicable) to IP flow mobility related flows, if such information is available and has not yet been supplied earlier to the AF. The IP flow mobility affected service data flows are included within the Flows AVP at command level. If the PCRF needs to terminate the Rx session before it has sent the AA Answer, the PCRF shall send the AA Answer immediately and before the AS Request. If the PCRF does not have an existing session for the Rx session being modified (such as after a PCRF failure), the PCRF may reject the request with an AA-Answer with the result code set to DIAMETER\_UNKNOWN\_SESSION\_ID.

If the PCRF modifies existing PCC/QoS rules based on the updated service information and the modification fails due to resource allocation failure as specified in 3GPP TS 29.212 [8] and if requested by the AF, the PCRF shall send an RAR command to the AF with the Specific-Action AVP set to the value INDICATION\_OF\_FAILED\_RESOURCES\_ALLOCATION to report the modification failure. The AF shall send an RAA command to acknowledge the RAR command.

### 4.4.3 Gate Related Procedures

Depending on the application, in the Service Information provision, the AF may instruct the PCRF when the IP flow(s) are to be enabled or disabled to pass through the IP-CAN. The AF does this by sending the AA-Request message containing the Media-Component-Description AVP(s) that contains the flow status information (in the Flow-Status AVP) for the flows to be enabled or disabled.

In response to this action the PCRF shall set the appropriate gate status for the corresponding active PCC rule(s).

If a Media-Sub-Component AVP under a Media-Component-Description AVP contains a Flow-Usage AVP with the value RTCP, then the corresponding RTCP IP Flows in both directions shall be enabled even if the Flow-Status AVP under the Media-Sub-Component AVP is set to ENABLED-UPLINK, ENABLED-DOWNLINK, ENABLED, or DISABLED.

The PCRF shall reply with an AA-Answer and shall include the Access-Network-Charging-Identifier(s) available at this moment. The PCRF forwards the AF decision to enable or disable the authorized IP flows.

The behaviour when the AF does not receive the AAA, or when it arrives after the internal timer waiting for it has expired, or when it arrives with an indication different than DIAMETER\_SUCCESS, are outside the scope of this specification and based on operator policy.

#### 4.4.4 AF Session Termination

When an AF session is terminated, if the AF had received a successful AA-Answer for the initial AA-Request, the AF shall send a Session-Termination-Request command to the PCRF. Otherwise, the AF shall wait for the initial AA-Answer to be received prior to sending the Session-Termination-Request command to the PCRF.

When the PCRF receives a ST-Request from the AF, indicating an AF session termination, it shall acknowledge that request by sending a ST-Answer to the AF. Afterwards, it shall free the resources allocated for the corresponding Service Data Flow(s). In order to do that, the PCRF shall initiate the request for the removal of any related PCC/QoS rules from the PCEF/BBERF and for the update of the Authorized QoS for the affected IP-CAN bearer following the corresponding procedures specified at 3GPP TS 29.212 [8]. However, if the AF requests the reporting of access network information within the ST-Request or if the AF provided a threshold for the sponsored data connectivity, the PCRF shall defer sending the ST-Answer as described below.

If the AF session being terminated corresponds to an MPS session, the PCRF may revoke the actions related to the prioritization of the MPS session in the corresponding IP-CAN as defined in 3GPP TS 29.212 [8]. For Multimedia Priority Service handling, see Annex A.9.

If the AF session being terminated corresponds to the last Group Communication session for the IP-CAN session, the PCRF may revoke the actions related to the prioritization of the Group Communication session as specified in 3GPP TS 29.212 [8].

For sponsored data connectivity, and if a volume threshold was provided for the sponsored data connection at initial provisioning of session information (subclause 4.4.1) or modification of session information (subclause 4.4.2) procedures, the PCRF shall provide the volume consumed to the AF. For such purpose, the PCRF shall initiate the IP-CAN session modification procedure according 3GPP TS 29.212 [8] in order to obtain the consumed volume. The PCRF shall send then the ST-Answer to the AF including the Used-Service-Unit AVP for reporting accumulated usage within the Sponsored-Connectivity-Data AVP.

If the AF requires access network information at this step, the AF shall include the Required-Access-Info AVP within the ST-Request command, indicating the required information. In this case, the PCRF shall initiate the IP-CAN session modification procedure according to 3GPP TS 29.212 [8]. The PCRF shall send then the ST-Answer to the AF including the required data within the 3GPP-User-Location-Info AVP (if available), TWAN-Identifier AVP (if available), User-Location-Info-Time AVP (if available), 3GPP-SGSN-MCC-MNC AVP (if location info is not available) and/or 3GPP-MS-TimeZone AVP (if available).

If the RAN-NAS-Cause feature is supported, upon reception of the ST-Request command, the PCRF shall initiate the IP-CAN session modification procedure according to 3GPP TS 29.212 [8]. The PCRF shall send the ST-Answer to the AF including the access network information within the 3GPP-User-Location-Info AVP (if available), TWAN-Identifier (if available and Netloc-Trusted-WLAN feature is supported) User-Location-Info-Time AVP (if available), 3GPP-SGSN-MCC-MNC AVP (if location info is not available) and/or 3GPP-MS-TimeZone AVP (if available). Additionally, if the PCRF received from the PCEF the RAN cause and/or NAS cause due to IP-CAN session/bearer termination, the PCRF shall provide the received cause(s) in the RAN-NAS-Release-Cause AVP in the ST-Answer command.

#### 4.4.5 Subscription to Notification of Signalling Path Status

An AF may subscribe to notifications of the status of the AF Signalling transmission path. To do so, the AF shall open an Rx Diameter session with the PCRF for the AF signalling using an AA-Request command. The AF shall provide the UE's IP address (using either the Framed-IP-Address AVP or the Framed-Ipv6-Prefix AVP) and the Specific-Action AVP requesting the subscription to 'INDICATION\_OF\_LOSS\_OF BEARER' and/or 'INDICATION\_OF\_RELEASE\_OF BEARER'. The AF shall additionally provide a Media-Component-Description AVP including a single Media-Sub-Component AVP with the Flow-Usage AVP set to the value 'AF\_SIGNALLING'. The Media-Component-Description AVP shall contain the Media-Component-Number AVP set to '0'.

If the procedures in Clause 4.4.5a are not applied, the Media-Sub-Component AVP shall contain the Flow-Number AVP set to '0', and the rest of AVPs within the Media-Component-Description and Media-Sub-Component AVPs shall not be used in this case.

When the PCRF receives an AA-Request as described in the preceding paragraph from the AF, the PCRF shall perform session binding as described in 3GPP TS 29.213 [9] and acknowledges the AAR command by sending an AA-Answer command to the AF.

PCC/QoS Rules related to AF Signalling IP Flows should be provisioned to PCEF/BBERF using the corresponding procedures specified at 3GPP TS 29.212 [8] at an earlier stage (e.g. typically at the establishment of the IP-CAN bearer dedicated for AF Signalling IP Flows). The PCRF may install the corresponding dynamic PCC/QoS rule for the AF signalling IP flows if none has been installed before.

NOTE 1: Well-known ports (e.g. 3GPP TS 24.229 [17] for SIP) or wildcard ports can be used by PCRF to derive the dynamic PCC/QoS rule for the AF signalling IP flows.

If the Rx Diameter Session is only used for subscription to Notification of Signalling Path Status, the AF may cancel the subscription to notifications of the status of the AF Signalling transmission path. In that case, the AF shall use a Session-Termination-Request (STR) command to the PCRF, which shall be acknowledged with a Session-Termination-Answer (STA) command.

NOTE 2: The Rx Diameter Session created for the AF signalling can also be used when the AF requests notifications of IP-CAN type change and/or when the AF provisions AF Signalling Flow Information.

### 4.4.5a Provisioning of AF Signalling Flow Information

This sub-clause is applicable when IMS restoration is supported according to supported feature ProvAFsignalFlow as described in sub-clause 5.4.1.

An AF may provision information about the AF signalling IP flows between the UE and the AF. To do so, the AF shall make use of an Rx Diameter session already opened with the PCRF if an Rx Diameter session related to the AF signalling is already established. The AF may modify an already open Rx Diameter session related to the AF signalling (e.g. an Rx Diameter session established for the purpose of subscription to notification of signalling path status as described in 4.4.5) or it may open a new Rx Diameter session related to the AF signalling if none exists.

To provision the AF signalling flow information the AF shall provide the UE's IP address using either Framed-IP-Address AVP or Framed-Ipv6-Prefix AVP. The AF shall additionally provide a Media-Component-Description AVP including one or more Media-Sub-Component AVP(s) representing the AF signalling IP flows. The Media-Component-Description AVP shall contain the Media-Component-Number AVP set to '0'. Each Media-Sub-Component AVP representing an AF signalling IP flow shall contain the Flow-Number AVP set according to the rules described in Annex B and one or two Flow-Description AVP(s) set to the IP flows of the AF signalling. Additionally, the Media-Sub-Component AVP shall include the Flow-Usage AVP set to the value 'AF\_SIGNALLING', the Flow-Status AVP set to 'ENABLED' and the AF-Signalling-Protocol AVP set to the value corresponding to the signalling protocol used between the UE and the AF.

When the PCRF receives from the AF an AA-Request as described in the preceding paragraph, the PCRF shall perform session binding as described in 3GPP TS 29.213 [9] and shall acknowledge the AAR command by sending an AA-Answer command to the AF.

PCC/QoS Rules related to the AF signalling IP flows could have been provisioned to PCEF/BBERF using the corresponding procedures specified in 3GPP TS 29.212 [8] at an earlier stage (e.g. typically at the establishment of the IP-CAN bearer dedicated for AF Signalling IP Flows). The PCRF shall install the corresponding dynamic PCC/QoS rule for the AF signalling IP flows.

The AF may de-provision the information about the AF signalling IP flows at any time. To do that, if the Rx Diameter session is only used to provide information about the AF Signalling IP flows, the AF shall close the Rx Diameter session by sending a Session-Termination-Request (STR) command to the PCRF, which shall be acknowledged with a Session-Termination-Answer (STA) command. Otherwise, the AF shall remove the IP flows within the Media-Sub-Component AVP by supplying the Flow-Status AVP with value 'REMOVED'. In both cases, the PCRF shall remove the corresponding dynamic PCC/QoS rule for the AF signalling IP flows.

## 4.4.6 Traffic Plane Events

### 4.4.6.1 IP-CAN Session Termination

When an IP-CAN session is terminated, the PCRF shall inform the AF about the IP-CAN session termination by sending an ASR (abort session request) command to the AF on each active Rx Diameter session.

When the AF receives the ASR command, it shall acknowledge the command by sending an ASA (abort session answer) command to the PCRF and indicate the termination of the session by sending an STR (session termination request) command to the PCRF. The PCRF shall acknowledge the termination of the session by sending an STA (session termination answer) command to the AF.

**If the RAN-NAS-Cause feature is supported the PCRF shall include in the STA command the access network information within the 3GPP-User-Location-Info AVP (if available), TWAN-Identifier (if available and Netloc-Trusted-WLAN feature is supported) User-Location-Info-Time AVP (if available), 3GPP-SGSN-MCC-MNC AVP (if location info is not available) and/or 3GPP-MS-TimeZone AVP (if available). Additionally, if the PCRF received from the PCEF the RAN cause and/or NAS cause due to IP-CAN session termination, the PCRF shall provide the received cause(s) in the RAN-NAS-Release-Cause AVP in the ST-Answer command.**

Signalling flows for IP-CAN session termination cases are presented in 3GPP TS 29.213 [9].

#### 4.4.6.2 Service Data Flow Deactivation

It may happen that one or more PCC/QoS Rules (i.e. Service Data Flows) are deactivated at the PCEF/BBERF at a certain time, either permanently or temporarily. When the PCRF gets the knowledge that one or more SDFs have been deactivated, (e.g. due to a bearer release or loss of bearer or out of credit condition), the PCRF shall inform the AF accordingly if the AF has previously subscribed using the Specific-Action AVP in the AAR command.

When not all the service data flows within the AF session are affected, the PCRF shall inform the AF by sending an RAR (re-authorization request) command. The RAR command shall include the deactivated IP Flows encoded in the Flows AVP and the cause encoded in the Specific-Action AVP.

**If the RAN-NAS-Cause feature is supported and the PCRF received the access network information from the PCEF/BBERF due to bearer termination, the PCRF shall include in the RAR command the access network information within the 3GPP-User-Location-Info AVP (if available), TWAN-Identifier (if available and Netloc-Trusted-WLAN feature is supported) User-Location-Info-Time AVP (if available), 3GPP-SGSN-MCC-MNC AVP (if location info is not available) and/or 3GPP-MS-TimeZone AVP (if available). Additionally, if the PCRF received from the PCEF the RAN cause and/or NAS cause due to bearer termination, the PCRF shall provide the received cause(s) in the RAN-NAS-Release-Cause AVP in the RAR command.**

When the AF receives the RAR command, it shall acknowledge the command by sending an RAA (re-authorization answer) command to the PCRF. The AF may also update the session information by sending an AAR (AA-request) command to the PCRF.

If the PCRF receives the AAR command, it shall acknowledge the command by sending an AAA (AA-answer) command to the AF.

When all the service data flows within the AF session are affected, the PCRF shall inform the AF by sending an ASR command on the Rx Diameter session related to the AF session. When the AF receives the ASR command, it shall acknowledge the command by sending an ASA (abort session answer) command to the PCRF. After that the AF shall initiate an AF session termination procedure as defined in clause 4.4.4.

Signalling flows for Service Data Flow Deactivation cases are presented in 3GPP TS 29.213 [9].

#### 4.4.6.3 Notification of Signalling Path Status

In the event that the PCRF is notified of the loss or release of resources associated to the PCC/QoS Rules corresponding with AF Signalling IP Flows, the PCRF shall inform the AF about the Loss of the Signalling Transmission path by sending a Re-Authorization Request (RAR) command to the AF. The RAR shall include the Specific-Action AVP set to the value 'INDICATION\_OF\_LOSS\_OF\_BEARER' or 'INDICATION\_OF\_RELEASE\_OF\_BEARER' and the deactivated IP Flow encoded in the Flows AVP.

NOTE: According to the standardized QCI characteristics as defined in 3GPP TS 23.203[2], the IMS signalling specific PCC rules include a QCI corresponding to a non-GBR bearer. When these guidelines are followed, the INDICATION\_OF\_LOSS\_OF\_BEARER will not be reported.

**If the RAN-NAS-Cause feature is supported and the PCRF received the access network information from the PCEF/BBERF due to bearer termination, the PCRF shall include in the RAR command the access network information within the 3GPP-User-Location-Info AVP (if available), TWAN-Identifier (if available and Netloc-Trusted-WLAN feature is supported) User-Location-Info-Time AVP (if available), 3GPP-SGSN-MCC-MNC AVP (if location info is**

not available) and/or 3GPP-MS-TimeZone AVP (if available). Additionally, if the PCRF received from the PCEF the RAN cause and/or NAS cause due to bearer termination, the PCRF shall provide the received cause(s) in the RAN-NAS-Release-Cause AVP in the RAR command.

When the AF receives the RAR command, it shall acknowledge the command by sending an RAA command to the PCRF.

The AF may then decide to terminate the Rx Diameter session used for the notification of the status of the AF Signalling transmission path. The AF may also decide to terminate any other active Rx Diameter session with the PCRF related to the AF Signalling which is not available any longer. In that case, the AF shall then initiate the AF Termination procedure towards the PCRF as defined in clause 4.4.4.

#### 4.4.6.4 IP-CAN type change Notification

If the AF has successfully subscribed to change notifications in UE's IP-CAN type and RAT type, the PCRF shall provide the UE's IP-CAN type and RAT type in the AA-Answer if already known by the PCRF. The PCRF shall also send an RAR command when a corresponding event occurs, i.e. when the UE's IP-CAN type or RAT type (if the IP-CAN type is GPRS), changes or becomes available. In this case the RAR from the PCRF shall include the Specific-Action AVP for the subscribed event and include the IP-CAN-Type AVP and RAT-Type AVP (in case of 3GPP IP-CAN) for the UE's new IP-CAN/RAT. If the PCRF is informed of an IP-CAN type change due to IP flow mobility as specified in 3GPP TS 29.212 [8], where a subset the flows within the AF session are affected, the PCRF shall include IP-CAN-type and RAT-type information (if applicable) to IP flow mobility affected service data flows. The IP flow mobility affected service data flows are included within the Flows AVP at command level.

NOTE: The RAT type event is only applicable for IP-CAN type GPRS, the PCRF will provide the RAT type information to the AF not only in case of GPRS IP-CAN type, but also in case of other 3GPP IP-CAN types.

#### 4.4.6.5 Access Network Charging Information Notification

If the AF has subscribed to a notification about Access Network Charging Information, the PCRF shall provide the Access Network Charging Information in the response, if already known by the PCRF. If not available, the PCRF shall provide the Access Network Charging Information by sending a Re-Authorization-Request (RAR) command when the Access Network Charging Information is received from the PCEF. If different Access Network Charging Information is applicable to the IP-CAN session, the PCRF shall notify the AF about the Access Network Charging Information that applies to each authorized flow. The RAR shall include the Specific-Action AVP set to the value 'CHARGING\_CORRELATION\_EXCHANGE' and shall include the assigned Access-Network-Charging-Identifier(s) and may include the Access-Network-Charging-Address AVP.

#### 4.4.6.6 Reporting Usage for Sponsored Data Connectivity

When the AF session is associated with a sponsor and the AF provided usage monitoring thresholds for such sponsor to the PCRF when the Rx Diameter session was established or modified, the PCRF shall report accumulated usage to the AF, when

- the PCRF detects that the usage threshold provided by the AF has been reached; or
- the AF session is terminated by the AF ; or
- the AF session is terminated due to the IP-CAN session termination or the home operator policy disallowing the UE accessing the sponsored data connectivity in the roaming case.

When the PCRF detects that the usage threshold has been reached, the PCRF shall report the accumulated usage as provided by the PCEF to the AF in a RA-Request (RAR) command with the Specific-Action AVP set to the value USAGE\_REPORT. Otherwise, when the AF session is terminated by the AF or the AF session is terminated due to the IP-CAN session termination or the home operator policy disallowing the UE accessing the sponsored data connectivity in the roaming case, the PCRF shall report the accumulated usage as provided by the PCEF to the AF in ST-Answer (STA) command..

The accumulated usage shall be reported in the Used-Service-Unit AVP within the Sponsored-Connectivity-Data AVP.

If the AF receives a RAR command indicating the usage threshold is reached, the AF may terminate the AF session or provide a new usage threshold in the Granted-Service-Unit AVP within the Sponsored-Connectivity-Data AVP to the

PCRF in the AAR command. Alternatively, the AF may allow the session to continue without providing new usage threshold in the AAR command.

NOTE: After the PCRF reports the accumulated usage to the AF, the AF can provide a new usage threshold to the PCRF. The monitoring will not start until the PCRF receives the new threshold from the AF and provide it to the PCEF

#### 4.4.6.7 Reporting Access Network Information

If the AF requests the PCRF to report the access network information (e.g. user location and/or user timezone information), the AF shall subscribe to the 'ACCESS\_NETWORK\_INFO\_REPORT' within the Specific-Action AVP and shall include the required access network information within the Required-Access-Info AVP. The AF may request the PCRF to report the access network information in conjunction with providing the PCRF with the AF session information, refer to subclause 4.4.1. Optionally, the AF may request the PCRF to report the access network information without providing service information (see subclause A.10.2). In the latter case the AF establishes an Rx session for the AF session upon requesting the access network information from the PCRF with an AA-Request command, containing information required for the session binding in the Framed-IP-Address AVP, the Framed-Ipv6-Prefix AVP Subscription-Id AVP, the Called-Station-Id AVP and/or the IP-Domain-Id AVP.

The AF may also request the PCRF to report the access network information at Rx session termination. To do so, the AF shall include the required access network information within the Required-Access-Info AVP in the corresponding ST-Request.

When the PCRF receives a request to report the access network information from the AF in an AAR command or in an STR command triggered by the AF, if the PCRF determines that the access network does not support the access network information reporting based on the currently used IP-CAN type or the values of RAT-Type AVP and AN-Trusted AVP or the PCEF/BBERF does not support the access network information reporting based on the Supported-Feature AVP, the PCRF shall respond to AF with an AAA or STA command including the NetLoc-Access-Support AVP set to the value of 0 (NETLOC\_ACCESS\_NOT\_SUPPORTED); otherwise, it shall immediately configure the PCEF or BBERF to provide such access network information.

When the PCRF then receives the access network information from the PCEF/BBERF, the PCRF shall provide the corresponding access network information to the AF within the 3GPP-User-Location-Info AVP (if available), TWAN-Identifier AVP (if available), User-Location-Info-Time AVP (if available), 3GPP-SGSN-MCC-MNC AVP (if location info is not available) and/or 3GPP-MS-TimeZone AVP in the RAR command if the Rx session is not being terminated or in the STA command if the Rx session is being terminated. If the information is provided in the RAR command, PCRF shall also provide the ACCESS\_NETWORK\_INFO\_REPORT within Specific-Action AVP.

NOTE 1: The PCRF receives the access network information from the PCEF/BBERF if it is requested by the AF previously or the IP-CAN bearer/IP-CAN session is terminated.

When the PCRF receives the NetLoc-Access-Support AVP set to the value of 0 (NETLOC\_ACCESS\_NOT\_SUPPORTED) from the PCEF/BBERF, the PCRF shall send a RAR command including the Specific-Action AVP set to INDICATION\_OF\_ACCESS\_NETWORK\_INFO\_REPORTING\_FAILURE and the NetLoc-Access-Support AVP set to the value of 0 (NETLOC\_ACCESS\_NOT\_SUPPORTED) if the AF requested the access network information in an AAR command or send an STA command including the NetLoc-Access-Support AVP set to the value of 0 (NETLOC\_ACCESS\_NOT\_SUPPORTED) if the AF requested the access network information in an STR command.

NOTE 2: The 3GPP GPRS and 3GPP EPS support access network information reporting in this release.

The PCRF shall not report any subsequently received access network information to the AF, unless the AF sends a new request for access network information.

#### 4.4.6.8 Temporary Network Failure handling

If the PCRF detects that a temporary network failure has occurred (e.g. the SGW has failed for 3GPP-EPS access as defined in subclause B.3.14 of 3GPP TS 29.212 [8]) and the AF requests an AF session establishment or modification in an AA-Request command, the PCRF shall respond to the AF with an AA-Answer including the Experimental-Result-Code AVP set to the value TEMPORARY\_NETWORK\_FAILURE.

If the PCRF detects that a temporary network failure has occurred (e.g. the SGW has failed for 3GPP-EPS access) and the AF requests an AF session termination in a ST-Request command, the PCRF shall respond with successful Result-Code AVP to the AF.

NOTE 1: Actions over Gx/Gxx reference point when there is a temporary network failure are described in 3GPP TS 29.212 [8]. For example, for S-GW Restoration procedures the PCRF will wait for the SGW recovery before deleting the corresponding PCC/QoS rules, according to subclause B.3.14 in that specification.

If the PCRF detects that the PCC/QoS rules related to an AF session cannot be installed or modified because there is a temporary network failure (e.g. SGW failed according to subclause B.3.14 in 3GPP TS 29.212 [8]) and if requested by the AF, the PCRF shall send a RA-Request command to the AF with the Specific-Action AVP set to INDICATION\_OF\_FAILED\_RESOURCES\_ALLOCATION.

## 4.4.7 P-CSCF Restoration Enhancement Support

This section is applicable when the PCRF-based P-CSCF Restoration Enhancement, as defined in 3GPP TS 23.380 [33], is supported by both P-CSCF and PCRF.

The P-CSCF acting as AF shall send an AAR command with a P-CSCF Restoration Indication to the PCRF in the case P-CSCF Restoration needs to be performed. This AAR shall include the following information required by the DRA or PCRF to find the corresponding IP-CAN session:

- The UE's IP address as applicable in the Framed-IP-Address AVP or in the Framed-Ipv6-Prefix AVP. If the IP address is not unique (e.g. private IPv4 case), the P-CSCF shall also include the IP-Domain-ID AVP if available.
- If the IP address is not available or if the IP address is not unique and the IP-Domain-ID is not available, the P-CSCF shall include the IMSI in the Subscription-Id AVP and the APN in the Called-Station-Id AVP.

The AF shall also include the Auth-Session-State AVP set to the value NO\_STATE\_MAINTAINED (1) in the AAR command, as described in IETF RFC 3588 [5]. As a consequence, the PCRF shall not maintain any state information about this session.

The PCRF shall acknowledge the AAR command by sending an AAA command to the P-CSCF acting as AF and shall include the Auth-Session-State AVP set to NO\_STATE\_MAINTAINED (1). The PCRF shall send a request for P-CSCF Restoration to the PCEF for the corresponding IP-CAN session.

---

# 5 Rx protocol

## 5.1 Protocol support

The Rx interface in the present release is based on Rx and Gq protocols defined for Release 6 as specified in 3GPP TS 29.211 [7] and 3GPP TS 29.209 [5] respectively. However, to be able to separate the policy and charging rules function (PCRF) of the present release from the policy decision function (PDF) and charging rules function (CRF) of Release 6, the Rx application in the present release has an own vendor specific Diameter application.

The Rx application is defined as an IETF vendor specific Diameter application, where the vendor is 3GPP and the Application-ID for the Rx application in the present release is 16777236. The vendor identifier assigned by IANA to 3GPP (<http://www.iana.org/assignments/enterprise-numbers>) is 10415.

NOTE: A route entry can have a different destination based on the application identification AVP of the message. Therefore, Diameter agents (relay, proxy, redirection, translation agents) must be configured appropriately to identify the 3GPP Rx application within the Auth-Application-Id AVP in order to create suitable routing tables.

Due to the definition of the commands used in Rx protocol, there is no possibility to skip the Auth-Application-Id AVP and use the Vendor-Specific-Application-Id AVP instead. Therefore the Rx application identification shall be included in the Auth-Application-Id AVP.

With regard to the Diameter protocol defined over the Rx reference point, the PCRF acts as a Diameter server, in the sense that it is the network element that handles AF session authorization requests for a particular realm. The AF acts as the Diameter client, in the sense that it is the network element requesting the authorization of resources for an AF session.

## 5.2 Initialization, maintenance and termination of connection and session

The initialization and maintenance of the connection between each AF and PCRF pair is defined by the underlying protocol. Establishment and maintenance of connections between Diameter nodes is described in RFC 3588 [10].

After establishing the transport connection, the PCRF and the AF shall advertise the support of the Rx specific Application by including the value of the application identifier in the Auth-Application-Id AVP and the value of the 3GPP (10415) in the Vendor-Id AVP of the Vendor-Specific-Application-Id AVP contained in the Capabilities-Exchange-Request and Capabilities-Exchange-Answer commands. The Capabilities-Exchange-Request and Capabilities-Exchange-Answer commands are specified in the Diameter Base Protocol (RFC 3588 [10]).

The termination of the Diameter user session is specified in RFC 3588 [10] in clauses 8.4 and 8.5. The description of how to use of these termination procedures in the normal cases is embedded in the procedures description (clause 4.4).

## 5.3 Rx specific AVPs

Table 5.3.1 describes the Diameter AVPs defined for the Rx interface protocol, their AVP Code values, types, possible flag values, whether or not the AVP may be encrypted and which supported feature the AVP is applicable to. The Vendor-Id header of all AVPs defined in the present document shall be set to 3GPP (10415).

**NOTE:** Most of these AVPs have already been defined in 3GPP TS 29.209 [5] for Rel-6. Their definition is based on the one used for Rel-6 with some possible modifications to be applied to the Rel-7 protocols.



Table 5.3.1: Rx specific Diameter AVPs

Attribute Name	AVP Code	Clause defined	Value Type (note 2)	AVP Flag rules (note 1)					Applicability (note 3)
				Must	May	Should not	Must not	May Encr.	
Abort-Cause	500	5.3.1	Enumerated	M,V	P			Y	
Access-Network-Charging-Address	501	5.3.2	Address	M,V	P			Y	
Access-Network-Charging-Identifier	502	5.3.3	Grouped	M,V	P			Y	
Access-Network-Charging-Identifier-Value	503	5.3.4	OctetString	M,V	P			Y	
Acceptable-Service-Info	526	5.3.24	Grouped	M,V	P			Y	
AF-Application-Identifier	504	5.3.5	OctetString	M,V	P			Y	
AF-Charging-Identifier	505	5.3.6	OctetString	M,V	P			Y	
Application-Service-Provider-Identity	532	5.3.29	UTF8String	V	P		M	Y	SponsoredConnectivity
Codec-Data	524	5.3.7	OctetString	M,V	P			Y	
Flow-Description	507	5.3.8	IPFilterRule	M,V	P			Y	
Flow-Number	509	5.3.9	Unsigned32	M,V	P			Y	
Flows	510	5.3.10	Grouped	M,V	P			Y	
Flow-Status	511	5.3.11	Enumerated	M,V	P			Y	
Flow-Usage	512	5.3.12	Enumerated	M,V	P			Y	
GCS-Identifier	538	5.3.36	OctetString	V	P		M	Y	GroupComService
Service-URN	525	5.3.23	OctetString	M,V	P			Y	
Specific-Action	513	5.3.13	Enumerated	M,V	P			Y	
Max-Requested-Bandwidth-DL	515	5.3.14	Unsigned32	M,V	P			Y	
Max-Requested-Bandwidth-UL	516	5.3.15	Unsigned32	M,V	P			Y	
Media-Component-Description	517	5.3.16	Grouped	M,V	P			Y	
Media-Component-Number	518	5.3.17	Unsigned32	M,V	P			Y	
Media-Sub-Component	519	5.3.18	Grouped	M,V	P			Y	
Media-Type	520	5.3.19	Enumerated	M,V	P			Y	
MPS-Identifier	528	5.3.30	OctetString	V	P		M	Y	Rel10
Min-Requested-Bandwidth-DL	534	5.3.32	Unsigned32	V	P		M	Y	Rel10
Min-Requested-Bandwidth-UL	535	5.3.33	Unsigned32	V	P		M	Y	Rel10
RR-Bandwidth	521	5.3.20	Unsigned32	M,V	P			Y	
RS-Bandwidth	522	5.3.21	Unsigned32	M,V	P			Y	
Service-Info-Status	527	5.3.25	Enumerated	M,V	P			Y	
SIP-Forking-Indication	523	5.3.22	Enumerated	M,V	P			Y	
Sponsor-Identity	531	5.3.28	UTF8String	V	P		M	Y	SponsoredConnectivity
Sponsored-Connectivity-Data (NOTE 4)	530	5.3.27	Grouped	V	P		M	Y	SponsoredConnectivity SCTimeBasedUM
AF-Signalling-Protocol	529	5.3.26	Enumerated	V	P		M	Y	ProvAFsignalFlow
Required-Access-Info	536	5.3.34	Enumerated	V	P		M	Y	NetLoc
Rx-Request-Type	533	5.3.31	Enumerated	V	P		M	Y	
IP-Domain-Id	537	5.3.35	OctetString	V	P		M	Y	

NOTE 1: The AVP header bit denoted as "M", indicates whether support of the AVP is required. The AVP header bit denoted as "V", indicates whether the optional Vendor-ID field is present in the AVP header. For further details, see RFC 3588 [10].

NOTE 2: The value types are defined in RFC 3588 [10].

NOTE 3: AVPs marked with a supported feature (e.g. 'ProvAFsignalFlow', 'SponsoredConnectivity', 'Rel10' or 'NetLoc') are applicable as described in clause 5.4.1

NOTE 4: Volume Usage monitoring control functionality is applicable for SponsoredConnectivity supported feature. Time Based Usage monitoring control is applicable for SCTimeBasedUM supported feature.

### 5.3.1 Abort-Cause AVP

The Abort-Cause AVP (AVP code 500) is of type Enumerated, and determines the cause of an abort session request (ASR) or of a RAR indicating a bearer release. The following values are defined:

BEARER\_RELEASED (0)

This value is used when the bearer has been deactivated as a result from normal signalling handling. For GPRS the bearer refers to the PDP Context.

#### INSUFFICIENT\_SERVER\_RESOURCES (1)

This value is used to indicate that the server is overloaded and needs to abort the session.

#### INSUFFICIENT\_BEARER\_RESOURCES (2)

This value is used when the bearer has been deactivated due to insufficient bearer resources at a transport gateway (e.g. GGSN for GPRS).

#### PS\_TO\_CS\_HANOVER (3)

This value is used when the bearer has been deactivated due to PS to CS handover.

#### SPONSORED\_DATA\_CONNECTIVITY\_DISALLOWED (4)

This value is used in the ASR when the PCRF needs to initiate the AF session termination due to the operator policy (e.g. disallowing the UE accessing the sponsored data connectivity in the roaming case).

### 5.3.2 Access-Network-Charging-Address AVP

The Access-Network-Charging-Address AVP (AVP code 501) is of type Address, and it indicates the IP Address of the network entity within the access network performing charging (e.g. the GGSN IP address). The Access-Network-Charging-Address AVP should not be forwarded over an inter-operator interface.

### 5.3.3 Access-Network-Charging-Identifier AVP

The Access-Network-Charging-Identifier AVP (AVP code 502) is of type Grouped, and contains a charging identifier (e.g. GCID) within the Access-Network-Charging-Identifier-Value AVP along with information about the flows transported within the corresponding bearer within the Flows AVP. If no Flows AVP is provided, the Access-Network-Charging-Identifier-Value applies for all flows within the AF session.

The Access-Network-Charging-Identifier AVP can be sent from the PCRF to the AF. The AF may use this information for charging correlation with session layer.

AVP Format:

```
Access-Network-Charging-Identifier ::= < AVP Header: 502 >
    { Access-Network-Charging-Identifier-Value }
    *[ Flows ]
```

### 5.3.4 Access-Network-Charging-Identifier-Value AVP

The Access-Network-Charging-Identifier-Value AVP (AVP code 503) is of type OctetString, and contains a charging identifier (e.g. GCID).

### 5.3.5 AF-Application-Identifier AVP

The AF-Application-identifier AVP (AVP code 504) is of type OctetString, and it contains information that identifies the particular service that the AF service session belongs to. This information may be used by the PCRF to differentiate QoS for different application services.

For example the AF-Application-Identifier may be used as additional information together with the Media-Type AVP when the QoS class for the bearer authorization at the Gx interface is selected. The AF-Application-Identifier may be used also to complete the QoS authorization with application specific default settings in the PCRF if the AF does not provide full Session-Component-Description information.

### 5.3.6 AF-Charging-Identifier AVP

The AF-Charging-Identifier AVP (AVP code 505) is of type OctetString, contains the AF Charging Identifier that is sent by the AF. This information may be used for charging correlation with bearer layer.

### 5.3.7 Codec-Data AVP

The Codec-Data AVP (AVP code 524) is of type OctetString.

The Codec-Data AVP shall contain codec related information known at the AF. This information shall be encoded as follows:

- The first line of the value of the Codec-Data AVP shall consist of either the word 'uplink' or the word 'downlink' (in ASCII, without quotes) followed by a new-line character. The semantics of these words are the following:
  - 'uplink' indicates that the SDP was received from the UE and sent to the network.
  - 'downlink' indicates that the SDP was received from the network and sent to the UE.

**NOTE:** The first line indicates the direction of the source of the SDP used to derive the information. The majority of the information within the Codec-Data AVP indicating 'downlink' describes properties, for instance receiver capabilities, of the sender of the SDP, the network in this case and is therefore applicable for IP flows in the uplink direction. Similarly, the majority of the information within the Codec-Data AVP indicating 'uplink' describes properties, for instance receiver capabilities, of the sender of the SDP, the UE in this case and is therefore applicable for IP flows in the downlink direction.

- The second line of the value of the Codec-Data AVP shall consist of either the word 'offer' or the word 'answer', or the word 'description' (in ASCII, without quotes) followed by a new-line character. The semantics of these words are the following:
  - 'offer' indicates that SDP lines from an SDP offer according to RFC 3264 [18] are being provisioned in the Codec-Data AVP;
  - 'answer' indicates that SDP lines from an SDP answer according to RFC 3264 [18] are being provisioned in the Codec-Data AVP;
  - 'description' indicates that SDP lines from a SDP session description in a scenario where the offer-answer mechanism of RFC 3264 [18] is not being applied are being provisioned in the Codec-Data AVP. For instance, SDP from an RTSP 'Describe' reply may be provisioned.
- The rest of the value shall consist of SDP line(s) in ASCII encoding separated by new-line characters, as specified in IETF RFC 4566 [13]. The first of these line(s) shall be an 'm' line. The remaining lines shall be any available SDP 'a' and 'b' lines related to that 'm' line. However, to avoid duplication of information, the SDP 'a=sendrecv', 'a=recvonly', 'a=sendonly', 'a=inactive', 'b:AS', 'b:RS' and 'b:RR' lines do not need to be included.

### 5.3.8 Flow-Description AVP

The Flow-Description AVP (AVP code 507) is of type IPFilterRule, and defines a packet filter for an IP flow with the following information:

- Direction (in or out). The direction 'in' refers to uplink IP flows, and the direction 'out' refers to downlink IP flows.
- Source and destination IP address (possibly masked).
- Protocol.
- Source and destination port.

The IPFilterRule type shall be used over Rx interface with the following restrictions:

- The Source Port may be omitted to indicate that any source port is allowed. Lists or ranges shall not be used.

- Only the Action 'permit' shall be used.
- No 'options' shall be used.
- The invert modifier '!' for addresses shall not be used.
- The keyword 'assigned' shall not be used.

NOTE: For TCP protocol, destination port can also be omitted.

If any of these restrictions is not observed by the AF, the server shall send an error response to the AF containing the Experimental-Result-Code AVP with value FILTER\_RESTRICTIONS.

For the Rx interface, the Flow description AVP shall be used to describe a single IP flow.

### 5.3.9 Flow-Number AVP

The Flow-Number AVP (AVP code 509) is of type Unsigned32, and it contains the ordinal number of the IP flow(s), assigned according to the rules in Annex B.

### 5.3.10 Flows AVP

The Flows AVP (AVP code 510) is of type Grouped, and it indicates IP flows via their flow identifiers.

When reporting an out of credit condition, the Final-Unit-Action AVP indicates the termination action applied to the impacted flows.

If no Flow-Number AVP(s) are supplied, the Flows AVP refers to all Flows matching the media component number.

AVP Format:

```
Flows ::= < AVP Header: 510 >
    {Media-Component-Number}
    * [Flow-Number]
    [Final-Unit-Action]
```

### 5.3.11 Flow-Status AVP

The Flow-Status AVP (AVP code 511) is of type Enumerated, and describes whether the IP flow(s) are enabled or disabled. The following values are defined:

ENABLED-UPLINK (0)

This value shall be used to enable associated uplink IP flow(s) and to disable associated downlink IP flow(s).

ENABLED-DOWNLINK (1)

This value shall be used to enable associated downlink IP flow(s) and to disable associated uplink IP flow(s).

ENABLED (2)

This value shall be used to enable all associated IP flow(s) in both directions.

DISABLED (3)

This value shall be used to disable all associated IP flow(s) in both directions.

REMOVED (4)

This value shall be used to remove all associated IP flow(s). The IP Filters for the associated IP flow(s) shall be removed. The associated IP flows shall not be taken into account when deriving the authorized QoS.

NOTE: The interpretation of values for the RTCP flows in the Rx interface is described within the procedures in clause 4.4.3.

### 5.3.12 Flow-Usage AVP

The Flow-Usage AVP (AVP code 512) is of type Enumerated, and provides information about the usage of IP Flows. The following values are defined:

NO\_INFORMATION (0)

This value is used to indicate that no information about the usage of the IP flow is being provided.

RTCP (1)

This value is used to indicate that an IP flow is used to transport RTCP.

AF\_SIGNALLING (2)

This value is used to indicate that the IP flow is used to transport AF Signalling Protocols (e.g. SIP/SDP).

NO\_INFORMATION is the default value.

NOTE: An AF may choose not to identify RTCP flows, e.g. in order to avoid that RTCP flows are always enabled by the server.

### 5.3.13 Specific-Action AVP

The Specific-Action AVP (AVP code 513) is of type Enumerated.

Within a PCRF initiated Re-Authorization Request, the Specific-Action AVP determines the type of the action.

Within an initial AA request the AF may use the Specific-Action AVP to request any specific actions from the server at the bearer events and to limit the contact to such bearer events where specific action is required. If the Specific-Action AVP is omitted within the initial AA request, no notification of any of the events defined below is requested at this time.

For one time specific actions, as identified in the value descriptions below, the AF may also provide the Specific-Action AVP with the applicable one-time-specific-action value(s) in subsequent AA-Requests. Non-one-time-specific-action value(s) may only be provided in the initial AA-Request and shall then be applicable for the entire lifetime of the Rx session.

NOTE 1: One time specific actions are reported once the required action is fulfilled and are not reported again unless the AF sends a new request.

NOTE 2: Unless otherwise stated in the definition of the specific action value, when the AF requests specific actions in the initial AA-Request, the PCRF reports that action whenever new related information is available during the lifetime of the Rx session.

NOTE 2a: Whether the PCRF decides to report INDICATION\_OF\_RELEASE\_OF\_BEARER (4) or INDICATION\_OF\_FAILED\_RESOURCES\_ALLOCATION (9) upon receipt of a bearer failure from the PCEF is left to the implementation.

The following values are defined:

Void (0)

CHARGING\_CORRELATION\_EXCHANGE (1)

Within a RAR, this value shall be used when the server reports the access network charging identifier to the AF. The Access-Network-Charging-Identifier AVP shall be included within the request. In the AAR, this value indicates that the AF requests the server to provide the access network charging identifier to the AF for each authorized flow, when the access network charging identifier becomes known at the PCRF.

INDICATION\_OF\_LOSS\_OF\_BEARER (2)

Within a RAR, this value shall be used when the server reports a loss of a bearer (in the case of GPRS PDP context bandwidth modification to 0 kbit for GBR bearers) to the AF. The SDFs that are deactivated as a

consequence of this loss of bearer shall be provided within the Flows AVP. In the AAR, this value indicates that the AF requests the server to provide a notification at the loss of a bearer.

#### INDICATION\_OF\_RECOVERY\_OF\_BEARER (3)

Within a RAR, this value shall be used when the server reports a recovery of a bearer (in the case of 3GPP-GPRS or 3GPP-EPS when PGW interoperates with a Gn/Gp SGSN, PDP context bandwidth modification from 0 kbit to another value for GBR bearers) to the AF. The SDFs that are re-activated as a consequence of the recovery of bearer shall be provided within the Flows AVP. In the AAR, this value indicates that the AF requests the server to provide a notification at the recovery of a bearer.

#### INDICATION\_OF\_RELEASE\_OF\_BEARER (4)

Within a RAR, this value shall be used when the server reports the release of a bearer (e.g. PDP context removal for 3GPP-GPRS or bearer/PDP context removal for 3GPP-EPS) to the AF. The SDFs that are deactivated as a consequence of this release of bearer shall be provided within the Flows AVP. In the AAR, this value indicates that the AF requests the server to provide a notification at the removal of a bearer.

Void (5)

#### IP-CAN\_CHANGE (6)

This value shall be used in RAR command by the PCRF to indicate a change in the IP-CAN type or RAT type (if the IP-CAN type is GPRS). When used in an AAR command, this value indicates that the AF is requesting subscription to IP-CAN change and RAT change notification. When used in RAR it indicates that the PCRF generated the request because of an IP-CAN or RAT change. IP-CAN-Type AVP and RAT-Type AVP (in case of 3GPP IP-CAN) shall be provided in the same request with the new/valid value(s).

If an IP-CAN type or RAT type change is due to IP flow mobility and a subset of the flows within the AF session is affected, the affected service data flows shall be provided in the same request.

#### INDICATION\_OF\_OUT\_OF\_CREDIT (7)

Within a RAR, this value shall be used when the PCRF reports to the AF that SDFs have run out of credit, and that the termination action indicated by the corresponding Final-Unit-Action AVP applies (3GPP TS 32.240 [23] and 3GPP TS 32.299 [24]). The SDFs that are impacted as a consequence of the out of credit condition shall be provided within the Flows AVP. In the AAR, this value indicates that the AF requests the PCRF to provide a notification of SDFs for which credit is no longer available. Applicable to functionality introduced with the Rel8 feature as described in subclause 5.4.1.

#### INDICATION\_OF\_SUCCESSFUL\_RESOURCES\_ALLOCATION (8)

Within a RAR, this value shall be used by the PCRF to indicate that the resources requested for particular service information have been successfully allocated. The SDFs corresponding to the resources successfully allocated shall be provided within the Flows AVP.

In the AAR, this value indicates that the AF requests the PCRF to provide a notification when the resources associated to the corresponding service information have been allocated.

Applicable to functionality introduced with the Rel8 feature as described in subclause 5.4.1.

NOTE 3: This value applies to applications for which the successful resource allocation notification is required for their operation since subscription to this value impacts the resource allocation signalling overhead towards the PCEF/BBERF.

#### INDICATION\_OF\_FAILED\_RESOURCES\_ALLOCATION (9)

Within a RAR, this value shall be used by the PCRF to indicate that the resources requested for a particular service information cannot be successfully allocated. The SDFs corresponding to the resources that could not be allocated shall be provided within the Flows AVP.

In the AAR, this value indicates that the AF requests the PCRF to provide a notification when the resources associated to the corresponding service information cannot be allocated. Applicable to functionality introduced with the Rel8 feature as described in subclause 5.4.1.

NOTE 4: This value applies to applications for which the unsuccessful resource allocation notification is required for their operation since subscription to this value impacts the resource allocation signalling overhead towards the PCEF/BBERF.

#### INDICATION\_OF\_LIMITED\_PCC\_DEPLOYMENT (10)

Within a RAR, this value shall be used when the PCRF reports the limited PCC deployment (i.e. dynamically allocated resources are not applicable) as specified at Annex K and Annex L in 3GPP TS 23.203 [2] to the AF. In the AAR, this value indicates that the AF requests the PCRF to provide a notification for the limited PCC deployment. Applicable to functionality introduced with the Rel8 feature as described in subclause 5.4.1.

#### USAGE\_REPORT (11)

In the RA-Request (RAR), this value shall be used by the PCRF to report accumulated usage volume and/or time of usage when the usage threshold provided by the AF has been reached.

In the AA-Request (AAR), this value indicates that the AF requests PCRF to report accumulated usage volume and /or time of usage when it reaches the threshold.

Applicable to functionality introduced with the SponsoredConnectivity feature for volume usage reporting and with SCTimeBased UM feature for time usage reporting as described in subclause 5.4.1.

#### ACCESS\_NETWORK\_INFO\_REPORT (12)

In the RA-Request (RAR), this value shall be used by the PCRF to report access network information when the PCRF receiving an Access Network Information report corresponding to the AF session from the PCEF/BBERF.

In the AA-Request (AAR), this value indicates that the AF requests PCRF to report one time access network information when the PCRF receives the first Access Network Information report corresponding to the AF session from the PCEF/BBERF after the AF request for the access network information. The required access information is provided within the Required-Access-Info AVP. Applicable to functionality introduced with the NetLoc feature as described in subclause 5.4.1.

The Specific-Action AVP with this value indicates a one time specific action.

#### INDICATION\_OF\_RECOVERY\_FROM\_LIMITED\_PCC\_DEPLOYMENT (13)

Within a RAR, this value shall be used when the PCRF reports the recovery from limited PCC deployment (i.e. the UE moves from the VPLMN to the HPLMN as specified at Annex K in 3GPP TS 23.203 [2]) to the AF. In the AAR, this value indicates that the AF requests the PCRF to provide a notification for the recovery from limited PCC deployment. Applicable to functionality introduced with the Rel8 feature as described in subclause 5.4.1.

NOTE 5: This value is optional and only applicable to the scenario where PCC is deployed in the HPLMN but not in the VPLMN and dynamic policy provisioning only occurs in the home routed roaming cases if no BBERF is employed.

#### INDICATION\_OF\_ACCESS\_NETWORK\_INFO\_REPORTING\_FAILURE (14)

In the RAR, this value shall be used when the PCRF reports the access network information reporting failure. When applicable, the NetLoc-Access-Support AVP may be provided as well to indicate the reason for the access network information reporting failure. This specific action does not require to be provisioned by the AF. Applicable to functionality introduced with the NetLoc feature as described in subclause 5.4.1.

### 5.3.14 Max-Requested-Bandwidth-DL AVP

The Max-Requested-Bandwidth-DL AVP (AVP code 515) is of type Unsigned32, and it indicates the maximum bandwidth in bits per second for a downlink IP flow. The bandwidth contains all the overhead coming from the IP-layer and the layers above, e.g. IP, UDP, RTP and RTP payload.

When provided in an AA-Request, it indicates the maximum requested bandwidth. When provided in an AA-Answer, it indicates the maximum bandwidth acceptable by PCRF.

### 5.3.15 Max-Requested-Bandwidth-UL AVP

The Max –Bandwidth-UL AVP (AVP code 516) is of type Unsigned32, and it indicates the maximum requested bandwidth in bits per second for an uplink IP flow. The bandwidth contains all the overhead coming from the IP-layer and the layers above, e.g. IP, UDP, RTP and RTP payload.

When provided in an AA-Request, it indicates the maximum requested bandwidth. When provided in an AA-Answer, it indicates the maximum bandwidth acceptable by PCRF.

### 5.3.16 Media-Component-Description AVP

The Media-Component-Description AVP (AVP code 517) is of type Grouped, and it contains service information for a single media component within an AF session or the AF signalling information. The service information may be based on the SDI exchanged between the AF and the AF session client in the UE. The information may be used by the PCRF to determine authorized QoS and IP flow classifiers for bearer authorization and PCC rule selection.

Within one Diameter message, a single IP flow shall not be described by more than one Media-Component-Description AVP.

Bandwidth information and Flow-Status information provided within the Media-Component-Description AVP applies to all those IP flows within the media component, for which no corresponding information is being provided within Media-Sub-Component AVP(s).

If a Media-Component-Description AVP is not supplied by the AF, or if optional AVP(s) within a Media-Component-Description AVP are omitted, but corresponding information has been provided in previous Diameter messages, the previous information for the corresponding IP flow(s) remains valid.

All IP flows within a Media-Component-Description AVP are permanently disabled by supplying a Flow Status AVP with value 'REMOVED'. The server may delete corresponding filters and state information.

Reservation-Priority provided within the Media-Component-Description AVP in the request from the AF applies to all those IP flows within the media component and describes the relative importance of the IP flow as compared to other IP flows. The PCRF may use this value to implement priority based admission. If the Reservation-Priority AVP is not specified the IP flow priority is DEFAULT (0).

Each Media-Component-Description AVP shall contain either zero, or one, or two Codec-Data AVPs. In the case of conflicts, information contained in other AVPs either within this Media-Component-Description AVP, or within the corresponding Media-Component-Description AVP in a previous message, shall take precedence over information within the Codec-Data AVP(s). The AF shall provision all the available information in other applicable AVPs in addition to the information in the Codec-Data AVP, if such other AVPs are specified.

If the SDP offer-answer procedures of IETF RFC 3264 [18] are applicable for the session negotiation between the two ends taking part in the communication (e.g. for IMS), the following applies:

- The AF shall provision information derived from an SDP answer and shall also provision information derived from the corresponding SDP offer.
- If the Media-Component-Description AVP contains two Codec-Data AVPs, one of them shall represent an SDP offer and the other one the corresponding SDP answer.
- If the Media-Component-Description AVP contains one Codec-Data AVP, and this AVP represents an SDP offer, the AF shall provision the corresponding SDP answer information in a Codec-Data AVP within a subsequent Rx message.

**NOTE:** Some SDP parameters for the same codec in the SDP offer and answer are independent of each other and refer to IP flows in opposite directions, for instance some MIME parameters conveyed within 'a=fmtp' SDP lines and the packetization time within the 'a=rtpmime' line. Other parameters within the SDP answer take precedence over corresponding parameters within the SDP offer.

If SDP is applied without using the offer-answer procedures, zero or one Codec-Data AVP shall be provisioned.

The PCRF may provide the Media-Component-Description AVP(s) within the Acceptable-Service-Info AVP in the AA-Answer command if the service information received from the AF is rejected. For this usage, the Media-



Component-Description AVP shall only include the appropriate Media-Component-Number AVP and the Max-Requested-Bandwidth-UL and/or Max-Requested-Bandwidth-DL AVPs indicating the maximum acceptable bandwidth.

AVP format:

```
Media-Component-Description ::= < AVP Header: 517 >
    { Media-Component-Number } ; Ordinal number of the media comp.
    *[ Media-Sub-Component ] ; Set of flows for one flow identifier
    [ AF-Application-Identifier ]
    [ Media-Type ]
    [ Max-Requested-Bandwidth-UL ]
    [ Max-Requested-Bandwidth-DL ]
    [ Min-Requested-Bandwidth-UL ]
    [ Min-Requested-Bandwidth-DL ]
    [ Flow-Status ]
    [ Reservation-Priority ]
    [ RS-Bandwidth ]
    [ RR-Bandwidth ]
    *[ Codec-Data ]
```

### 5.3.17 Media-Component-Number AVP

The Media-Component-Number AVP (AVP code 518) is of type Unsigned32, and it contains the ordinal number of the media component, assigned according to the rules in Annex B.

When this AVP refers to AF signalling, this is indicated by using the value 0 according to the rules in Annex B.

### 5.3.18 Media-Sub-Component AVP

The Media-Sub-Component AVP (AVP code 519) is of type Grouped, and it contains the requested bitrate and filters for the set of IP flows identified by their common Flow-Identifier. The Flow-Identifier is defined in Annex B.

Possible Bandwidth information and Flow-Status information provided within the Media-Sub-Component AVP takes precedence over information within the encapsulating Media Component Description AVP. If a Media-Sub-Component- AVP is not supplied, or if optional AVP(s) within a Media-Sub-Component AVP are omitted, but corresponding information has been provided in previous Diameter messages, the previous information for the corresponding IP flow(s) remains valid, unless new information is provided within the encapsulating Media-Component-Description AVP. If Flow-Description AVP(s) are supplied, they replace all previous Flow-Description AVP(s), even if a new Flow-Description AVP has the opposite direction as the previous Flow-Description AVP.

The AF-Signalling-Protocol AVP may be included only if the Flow-Usage AVP has a value of "AF\_SIGNALLING".

All IP flows within a Media-Sub-Component- AVP are permanently disabled by supplying a Flow Status AVP with value 'REMOVED'. The server may delete corresponding filters and state information.

AVP format:

```
Media-Sub-Component ::= < AVP Header: 519 >
    { Flow-Number } ; Ordinal number of the IP flow
    0*2[ Flow-Description ] ; UL and/or DL
    [ Flow-Status ]
    [ Flow-Usage ]
    [ Max-Requested-Bandwidth-UL ]
    [ Max-Requested-Bandwidth-DL ]
    [ AF-Signalling-Protocol ]
    *[ AVP ]
```

### 5.3.19 Media-Type AVP

The Media-Type AVP (AVP code 520) is of type Enumerated, and it determines the media type of a session component. The media types indicate the type of media in the same way as the SDP media types with the same names defined in RFC 4566 [13]. The following values are defined:

- AUDIO (0)
- VIDEO (1)

- DATA (2)
- APPLICATION (3)
- CONTROL (4)
- TEXT (5)
- MESSAGE (6)
- OTHER (0xFFFFFFFF)

### 5.3.20 RR-Bandwidth AVP

The RR-Bandwidth AVP (AVP code 521) is of type Unsigned32, and it indicates the maximum required bandwidth in bits per second for RTCP receiver reports within the session component, as specified in RFC 3556 [11]. The bandwidth contains all the overhead coming from the IP-layer and the layers above, i.e. IP, UDP and RTCP.

### 5.3.21 RS-Bandwidth AVP

The RS-Bandwidth AVP (AVP code 522) is of type Unsigned32, and it indicates the maximum required bandwidth in bits per second for RTCP sender reports within the session component, as specified in RFC 3556 [11]. The bandwidth contains all the overhead coming from the IP-layer and the layers above, i.e. IP, UDP and RTCP.

### 5.3.22 SIP-Forking-Indication AVP

The SIP-Forking-Indication AVP (AVP code 523) is of type Enumerated, and describes if several SIP dialogues are related to one Diameter session:

SINGLE\_DIALOGUE (0)

This value is used to indicate that the Diameter session relates to a single SIP dialogue.  
This is the default value applicable if the AVP is omitted.

SEVERAL\_DIALOGUES (1)

This value is used to indicate that the Diameter session relates to several SIP dialogues.

### 5.3.23 Service-URN AVP

The Service-URN AVP (AVP code 525) is of type OctetString, and it indicates that an AF session is used for emergency traffic.

It contains values of the service URN including subservices, as defined in [21] or registered at IANA. The string 'urn:service:' in the beginning of the URN shall be omitted in the AVP and all subsequent text shall be included. Examples of valid values of the AVP are 'sos', 'sos.fire', 'sos.police' and 'sos.ambulance'.

### 5.3.24 Acceptable-Service-Info AVP

The Acceptable-Service-Info AVP (AVP code 526) is of type Grouped, and contains the maximum bandwidth for an AF session and/or for specific media components that will be authorized by the PCRF. The Max-Requested-Bandwidth-DL AVP and Max-Requested-Bandwidth-UL AVP directly within the Acceptable-Service-Info AVP indicate the acceptable bandwidth for the entire AF session. The Max-Requested-Bandwidth-DL AVP and Max-Requested-Bandwidth-UL AVP within a Media-Component-Description AVP included in the Acceptable-Service-Info AVP indicate the acceptable bandwidth for the corresponding media component.

If the acceptable bandwidth applies to one or more media components, only the Media-Component-Description AVP will be provided. If the acceptable bandwidth applies to the whole AF session, only the Max-Requested-Bandwidth-DL AVP and Max-Requested-Bandwidth-UL AVP will be included.

```
Acceptable-Service-Info ::= < AVP Header: 526 >
    * [ Media-Component-Description ]
```

```
[ Max-Requested-Bandwidth-DL ]
[ Max-Requested-Bandwidth-UL ]
*[ AVP ]
```

### 5.3.25 Service-Info-Status-AVP

The Service-Info-Status AVP (AVP code 527) is of type Enumerated, and indicates the status of the service information that the AF is providing to the PCRF. If the Service-Info-Status AVP is not provided in the AA request, the value FINAL SERVICE INFORMATION shall be assumed.

#### FINAL SERVICE INFORMATION (0)

This value is used to indicate that the service has been fully negotiated between the two ends and service information provided is the result of that negotiation.

#### PRELIMINARY SERVICE INFORMATION (1)

This value is used to indicate that the service information that the AF has provided to the PCRF is preliminary and needs to be further negotiated between the two ends (e.g. for IMS when the service information is sent based on the SDP offer).

### 5.3.26 AF-Signalling-Protocol-AVP

The AF-Signalling-Protocol AVP (AVP code 529) is of type Enumerated, and indicates the protocol used for signalling between the UE and the AF. If the AF-Signalling-Protocol AVP is not provided in the AA-Request, the value NO\_INFORMATION shall be assumed.

#### NO\_INFORMATION (0)

This value is used to indicate that no information about the AF signalling protocol is being provided.

#### SIP (1)

This value is used to indicate that the signalling protocol is Session Initiation Protocol.

### 5.3.27 Sponsored-Connectivity-Data AVP

The Sponsored-Connectivity-Data AVP (AVP code 530) is of type Grouped, and contains the data associated with the sponsored data connectivity.

The Sponsor-Identity AVP identifies the sponsor. It shall be included by the AF in the Sponsored-Connectivity-Data AVP.

The Application-Service-Provider-Identity AVP identifies the application service provider. It shall be included by the AF in the Sponsored-Connectivity-Data AVP.

The Granted-Service-Unit AVP shall be used by the AF to provide usage threshold to the PCRF if the volume and/or time of traffic allowed during the sponsored data connectivity is to be monitored.

The Used-Service-Unit AVP shall be used by the PCRF to provide the measured usage to the AF. Reporting shall be done, as requested by the AF, in CC-Total-Octets, CC-Input-Octets, CC-Output-Octets or CC-Time of the Used-Service-Unit AVP.

AVP format:

```
Sponsored-Connectivity-Data ::= < AVP Header: 530 >
    [ Sponsor-Identity ]
    [ Application-Service-Provider-Identity ]
    [ Granted-Service-Unit ]
    [ Used-Service-Unit ]
    *[ AVP ]
```

### 5.3.28 Sponsor-Identity AVP

The Sponsor-Identity AVP (AVP code 531) is of type UTF8String and is used for sponsored data connectivity purposes as an identifier of the sponsor.

### 5.3.29 Application-Service-Provider-Identity AVP

The Application-Service-Provider-Identity AVP (AVP code 532) is of type UTF8String and is used for sponsored data connectivity purposes as an identifier of the application service provider.

### 5.3.30 MPS-Identifier AVP

The MPS-Identifier AVP (AVP code 528) is of type OctetString, and it indicates that an AF session relates to an MPS session. It contains the national variant for MPS service name (e.g., NGN GETS).

### 5.3.31 Rx-Request-Type AVP

The Rx-Request-Type AVP (AVP code 533) is of type Enumerated, and contains the reason for sending the AA-Request message.

The following values are defined:

INITIAL\_REQUEST (0)

An initial request is used to initiate an Rx session and contains information that is relevant to initiation.

UPDATE\_REQUEST (1)

An update request is used to update an existing Rx session.

PCSCF\_RESTORATION (2)

A P-CSCF Restoration is requested.

### 5.3.32 Min-Requested-Bandwidth-DL AVP

The Min-Requested-Bandwidth-DL AVP (AVP code 534) is of type Unsigned32, and it indicates the minimum requested bandwidth in bits per second for a downlink IP flow. The bandwidth contains all the overhead coming from the IP-layer and the layers above, e.g. IP, TCP, UDP, HTTP, RTP and RTP payload.

When provided in an AA-Request, it indicates the minimum requested bandwidth.

### 5.3.33 Min-Requested-Bandwidth-UL AVP

The Min-Requested-Bandwidth-UL AVP (AVP code 535) is of type Unsigned32, and it indicates the minimum requested bandwidth in bits per second for an uplink IP flow. The bandwidth contains all the overhead coming from the IP-layer and the layers above, e.g. IP, TCP, UDP, HTTP, RTP and RTP payload.

When provided in an AA-Request, it indicates the minimum requested bandwidth.

### 5.3.34 Required-Access-Info AVP

The Required-Access-Info AVP (AVP code 536) is of type Enumerated, and contains the access network information required for that AF session.

The following values are defined:

USER\_LOCATION (0)

Indicates that the user location information shall be reported, the PCRF shall report the user location information within the 3GPP-User-Location-Info AVP (if available), the serving PLMN identifier within the 3GPP-SGSN-MCC-MNC AVP (if available), the user location information within the TWAN-Identifier (if available) and User-Location-Info-Time AVP (if available).

MS\_TIME\_ZONE (1)

Indicates that the user timezone information shall be reported, the PCRF shall report the user timezone information within the 3GPP-MS-TimeZone AVP.

### 5.3.35 IP-Domain-Id AVP

The IP-Domain-Id AVP (AVP code 537) is of type (OctetString), and indicates the domain information which assists session binding.

### 5.3.36 GCS-Identifier AVP

The GCS-Identifier AVP (AVP code 538) is of type OctetString, and it indicates that an AF session relates to a Group Communication session that requires prioritization. The values that identify the Group Communication session are not specified.

## 5.4 Rx re-used AVPs

Table 5.4.1 lists the Diameter AVPs re-used by the Rx reference point from existing Diameter Applications, including a reference to their respective specifications and when needed, a short description of their usage within the Rx reference point. Other AVPs from existing Diameter Applications, except for the AVPs from Diameter Base Protocol, do not need to be supported. The AVPs from Diameter Base Protocol are not included in table 5.4.1, but they are re-used for the Rx protocol. Unless otherwise stated, re-used AVPs shall maintain their "M", "P" and "V" flag settings. Where 3GPP Radius VSAs are re-used, unless otherwise stated, they shall be translated to Diameter AVPs as described in RFC 4005 [12] with the exception that the "M" flag shall be set and the "P" flag may be set.

Table 5.4.1: Rx re-used Diameter AVPs

Attribute Name	Reference	Comments	Applicability (notes 1, 2)
3GPP-MS-TimeZone	3GPP TS 29.061 [11]	Indicates the offset between universal time and local time in steps of 15 minutes of where the MS currently resides.	NetLoc
3GPP-SGSN-MCC-MNC	3GPP TS 29.061 [11]	For GPRS the MCC and the MNC of the SGSN. For 3GPP EPS the MCC and the MNC provided by the serving gateway (SGW).	NetLoc
3GPP-User-Location-Info	3GPP TS 29.061 [11]	Indicates details of where the UE is currently located (e.g. SAI or CGI), Coding shall be done as defined in 3GPP TS 29.274 [33]	NetLoc
User-Location-Info-Time	3GPP TS 29.212 [8]	Indicates the time the UE was last known to be in the location which is reported during bearer deactivation or IP-CAN session termination procedure.	NetLoc RAN-NAS-Cause
Called-Station-Id	RFC 4005 [12]	The PDN the user is connected to.	Rel8
Final-Unit-Action	RFC 4006 [14]	The action applied by the PCEF when the user's account cannot cover the service cost.	Rel8
Framed-IP-Address	RFC 4005 [12]	The valid routable Ipv4 address that is applicable for the IP Flows towards the UE at the PCEF. The PCRF shall use this address to identify the correct IP-CAN session (session binding). For example, the IP address may actually be that of the network interface of a NAT device between the UE and the GW. The values 0xFFFFFFFF and 0xFFFFFFFFE are not applicable as described in RFC 4005 [12].	
Framed-Ipv6-Prefix	RFC 4005 [12]	A valid full Ipv6 address that is applicable to an IP flow or IP flows towards the UE at the PCEF. The PCRF shall use this address to identify the correct IP-CAN session (session binding, refer to 3GPP TS 29.213 [9]). For example, the IP address may actually be that of the network interface of a NAT device between the UE and the GW. The encoding of the value within this Octet String type AVP shall be as defined in RFC 3162 [20], clause 2.3. The 'Reserved', 'Prefix-Length' and 'Prefix' fields shall be included in this order. The AF shall set the 'Prefix Length' to 128 and encode the Ipv6 address of the UE within the 'Prefix' field.	
Granted-Service-Unit (NOTE 3)	RFC 4006 [14]	The volume and/or time thresholds for sponsored data connectivity. Only CC-Total-Octets, one of the CC-Input-Octets and CC-Output-Octets, or CC-Time AVPs are reused. This AVP shall have the "M" bit cleared.	SponsoredCo nnectivity, SCTimeBase dUM
IP-CAN-Type	3GPP TS 29.212 [8]	IP-CAN type of the user.	
OC-OLR	IETF draft-ietf-dime-ovli-02 [35]	Contains the necessary information to convey an overload report	
OC-Supported-Features	IETF draft-ietf-dime-ovli-02 [35]	Defines the support for the Diameter overload indication conveyance by the sending node	
RAN-NAS-Release-Cause	3GPP TS 29.212 [8]	Indicates RAN and/or NAS release cause code information.	RAN-NAS-Cause
NetLoc-Access-Support	3GPP TS 29.212 [8]	Indicates the level of support for NetLoc procedures provided by the current access network.	NetLoc
RAT-Type	3GPP TS 29.212[8]	Indicate which Radio Access Technology is currently serving the UE.	Rel8
Reservation-Priority	TS 183.017 [15]	The vendor-id shall be set to ETSI (13019) [15]. The support of this AVP shall be advertised in the capabilities exchange mechanisms (CER/CEA) by including the ETSI parameter in the Supported-Vendor-Id AVP.	
Subscription-Id	RFC 4006 [14]	The identification of the subscription (IMSI, MSISDN, etc.)	

Attribute Name	Reference	Comments	Applicability (notes 1, 2)
Supported-Features	3GPP TS 29.229 [25]	If present, this AVP informs the destination host about the features that the origin host requires to successfully complete this command exchange.	Rel8
Used-Service-Unit (NOTE 3)	RFC 4006 [14]	The measured volume and/or time for sponsored data connectivity. Only CC-Total-Octets, one of the CC-Input-Octets and CC-Output-Octets, or CC-Time AVPs are reused. This AVP shall have the "M" bit cleared.	SponsoredConnectivity SCTimeBasedUM
TWAN-Identifier	3GPP TS 29.061 [34]	Indicates the UE location in a Trusted WLAN Access Network. This AVP shall have the "M" bit cleared.	Netloc- Trusted- WLAN
NOTE 1: AVPs marked with 'Rel8' are applicable as described in clause 5.4.1. NOTE 2: AVPs marked with 'SponsoredConnectivity' are applicable for sponsored data connectivity. NOTE 3: Volume Usage monitoring control functionality is applicable for SponsoredConnectivity supported feature. Time Based Usage monitoring control is applicable for SCTimeBasedUM supported feature.			

### 5.4.1 Use of the Supported-Features AVP on the Rx reference point

The Supported-Features AVP is used during session establishment to inform the destination host about the required and optional features that the origin host supports. The client shall, in the first request of a Diameter session indicate the set of supported features. The server shall, in the first answer within the Diameter session indicate the set of features that it has in common with the client and that the server shall support within the same Diameter session. Any further command messages shall always be compliant with the list of supported features indicated in the Supported-Features AVPs during session establishment. Features that are not advertised as supported shall not be used to construct the command messages for that Diameter session. Unless otherwise stated, the use of the Supported-Features AVP on the Rx reference point shall be compliant with the requirements for dynamic discovery of supported features and associated error handling on the Cx reference point as defined in clause 7.2.1 of 3GPP TS 29.229 [25].

The base functionality for the Rx reference point is the 3GPP Rel-7 standard and a feature is an extension to that functionality. If the origin host does not support any features beyond the base functionality, the Supported-Features AVP may be absent from the Rx commands. As defined in clause 7.1.1 of 3GPP TS 29.229 [25], when extending the application by adding new AVPs for a feature, the new AVPs shall have the M bit cleared and the AVP shall not be defined mandatory in the command ABNF.

As defined in 3GPP TS 29.229 [25], the Supported-Features AVP is of type grouped and contains the Vendor-Id, Feature-List-ID and Feature-List AVPs. On the Rx reference point, the Supported-Features AVP is used to identify features that have been defined by 3GPP and hence, for features defined in this document, the Vendor-Id AVP shall contain the vendor ID of 3GPP (10415). If there are multiple feature lists defined for the Rx reference point, the Feature-List-ID AVP shall differentiate those lists from one another.

On receiving an initial request application message, the destination host shall act as defined in clause 7.2.1 of 3GPP TS 29.229 [25]. The following exceptions apply to the initial and stateless AAR/AAA command pair:

- If the AF supporting post-Rel-7 Rx functionality is able to interoperate with a PCRF supporting Rel-7, the AAR shall include the features supported by the AF within Supported-Features AVP(s) with the "M" bit cleared. Otherwise, the AAR shall include the supported features within the Supported-Features AVP(s) with the M-bit set.

NOTE 1: One instance of Supported-Features AVP is needed per Feature-List-ID.

- If the AAR command does not contain any Supported-Features AVP(s) and the PCRF supports Rel-7 Rx functionality, the AAA command shall not include the Supported-Features AVP. In this case, both AF and PCRF shall behave as specified in the Rel-7 version of this document.
- If the AAR command contains the Supported-Features AVP(s), the PCRF shall include the Supported-Features AVP(s) in the AAA command, with the "M" bit cleared, indicating only the features that both the PCRF and AF support.

NOTE 2: The client will always declare all features that are supported according to table 5.4.1.1. When more than one feature identifying a release is supported by both AF and PCRF, the AF will work according to the latest common supported release.

Once the PCRF and AF have negotiated the set of supported features during session establishment, the set of common features shall be used during the lifetime of the Diameter session.

The table below defines the features applicable to the Rx interfaces for the feature list with a Feature-List-ID of 1.

**Table 5.4.1.1: Features of Feature-List-ID 1 used in Rx**

Feature bit	Feature	M/O	Description
0	Rel8	M	This feature indicates the support of the base 3GPP Rel-8 functionality, including the AVPs and corresponding procedures supported by the base 3GPP Rel-7 Rx standard, but excluding those features represented by separate feature bits. AVPs introduced with this feature are marked with 'Rel8' in Table 5.4.1
1	Rel9	M	This feature indicates the support of the base 3GPP Rel-9 functionality, including the AVPs and corresponding procedures supported by the Rel8 feature bit, but excluding those features represented by separate feature bits.
2	ProvAFsignalFlow	O	This indicates support for the feature of provisioning of AF signalling flow information as described in subclause 4.4.5a. If the PCRF supports this feature the AF may provision AF signalling flow information. NOTE: This feature is used by the IMS Restoration Procedures to provide to the PDN-Gateway the address of the P-CSCF selected by the UE, refer to 3GPP TS 23.380 [28].
3	SponsoredConnectivity	O	This feature indicates support for sponsored data connectivity feature. If the PCRF supports this feature, the AF may provide sponsored data connectivity to the subscriber.
4	Rel10	M	This feature indicates the support of the base 3GPP Rel-10 functionality, including the AVPs and corresponding procedures supported by the Rel8 and Rel9 feature bit, but excluding those features represented by separate feature bits. AVPs introduced with this feature are marked with 'Rel10' in table 5.3.1.
5	NetLoc	O	This feature indicates the support of the Access Network Information Reporting.
6	ExtendedFilter	O	This feature indicates the support for the local (i.e. UE) address and mask being present in filters signalled between network and UE.
7	SCTimeBasedUM	O	This feature indicates support for sponsored data connectivity feature with time-based usage monitoring control required. If the PCRF supports this feature, the AF may provide time threshold for the usage monitoring control.
8	Netloc-Trusted-WLAN	O	This feature indicates the support for the Trusted WLAN access. It requires that NetLoc feature is also supported.
9	RAN-NAS-Cause	O	This feature indicates the support for the detailed RAN and/or NAS release cause code information from the access network.
10	GroupComService	O	This feature indicates the support of Group Communication services as described in 3GPP TS 23.468 [36] for unicast services.
<p>Feature bit: The order number of the bit within the Feature-List AVP where the least significant bit is assigned number '0'.</p> <p>Feature: A short name that can be used to refer to the bit and to the feature, e.g. 'EPS'.</p> <p>M/O: Defines if the implementation of the feature is mandatory ('M') or optional ('O').</p> <p>Description: A clear textual description of the feature.</p>			



Table 5.4.1.2: Features of Feature-List-ID 2 used in Rx

Feature bit	Feature	M/O	Description
0	PCSCF-Restoration-Enhancement	O	This feature indicates support of P-CSCF Restoration Enhancement. It is used for the PCRF and the P-CSCF to indicate if they support P-CSCF Restoration Enhancement.
Feature bit: The order number of the bit within the Feature-List AVP where the least significant bit is assigned number '0'. Feature: A short name that can be used to refer to the bit and to the feature, e.g. 'EPS'. M/O: Defines if the implementation of the feature is mandatory ('M') or optional ('O'). Description: A clear textual description of the feature.			

## 5.5 Rx specific Experimental-Result-Code AVP values

RFC 3588 [10] specifies the Experimental-Result AVP containing Vendor-ID AVP and Experimental-Result-Code AVP. The Experimental-Result-Code AVP (AVP Code 298) is of type Unsigned32 and contains a vendor-assigned value representing the result of processing a request. The Vendor-ID AVP shall be set to 3GPP (10415).

Specific values of the Rx specific Experimental-Result-Code AVP are:

### INVALID\_SERVICE\_INFORMATION (5061)

The PCRF rejects new or modified service information the service information provided by the AF is invalid or insufficient for the server to perform the requested action.

### FILTER\_RESTRICTIONS (5062)

The PCRF rejects new or modified service information because the Flow-Description AVP(s) cannot be handled by the server because restrictions defined in clause 5.3.7 are not observed.

### REQUESTED\_SERVICE\_NOT\_AUTHORIZED (5063)

The PCRF rejects new or modified service information because the requested service, as described by the service information provided by the AF, is not consistent with either the related subscription information, operator defined policy rules and/or the supported features in the IP-CAN network.

### DUPLICATED\_AF\_SESSION (5064)

The PCRF rejects a new Rx session setup because the new Rx session relates to an AF session with another related active Rx session, e.g. if the AF provided the same AF charging identifier for this new Rx session that is already in use for the other ongoing Rx session.

### IP-CAN\_SESSION\_NOT\_AVAILABLE (5065)

The PCRF rejects a new Rx session setup when it fails to associate the described service IP flows within the session information received from the AF to an existing IP-CAN session.

### UNAUTHORIZED\_NON\_EMERGENCY\_SESSION (5066)

The PCRF rejects a new Rx session setup because the session binding function associated a non-Emergency IMS session to an IP-CAN session established to an Emergency APN.

### UNAUTHORIZED\_SPONSORED\_DATA\_CONNECTIVITY (5067)

The PCRF rejects a new Rx session setup because the PCRF can't authorize the sponsored data connectivity based on the sponsored data connectivity profile or the operator policy (e.g. the sponsored data connectivity not authorized in the roaming case).

### TEMPORARY\_NETWORK\_FAILURE (5068)

The PCRF rejects new or modified service information because there is a temporary failure in the access network (e.g. the SGW has failed).

## 5.6 Rx messages

Existing Diameter command codes from the Diameter base protocol RFC 3588 [10] and the NASREQ Diameter application (RFC 4005 [12]) are used with the Rx specific AVPs. An Rx specific Auth-Application id is used together with the command code to identify the Rx messages.

NOTE 1: The notion of NAS (Network Access Server) is not used here, NASREQ is just used for protocol purposes, not for its functional meaning.

NOTE 2: Some of the AVPs included in the messages formats below are in bold to highlight that these AVPs are used by this specific protocol and do not belong to the original Diameter Base Protocol RFC 3588 [10].

NOTE3: Multiple instances of the Subscription-Id AVP in the AAR or RAR command correspond to multiple types of identifier for the same subscriber, for example IMSI and MSISDN.

### 5.6.1 AA-Request (AAR) command

The AAR command, indicated by the Command-Code field set to 265 and the "R" bit set in the Command Flags field, is sent by an AF to the PCRF in order to provide it with the Session Information.

Message Format:

```
<AA-Request> ::= < Diameter Header: 265, REQ, PXY >
  < Session-Id >
  { Auth-Application-Id }
  { Origin-Host }
  { Origin-Realm }
  { Destination-Realm }
  [ Destination-Host ]
  [ IP-Domain-Id ]
  [ AF-Application-Identifier ]
  *[ Media-Component-Description ]
  [ Service-Info-Status ]
  [ AF-Charging-Identifier ]
  [ SIP-Forking-Indication ]
  *[ Specific-Action ]
  *[ Subscription-Id ]
  [ OC-Supported-Features ]
  *[ Supported-Features ]
  [ Reservation-Priority ]
  [ Framed-IP-Address ]
  [ Framed-Ipv6-Prefix ]
  [ Called-Station-Id ]
  [ Service-URN ]
  [ Sponsored-Connectivity-Data ]
  [ MPS-Identifier ]
  [ GCS-Identifier ]
  [ Rx-Request-Type ]
  *[ Required-Access-Info ]
  [ Origin-State-Id ]
  *[ Proxy-Info ]
  *[ Route-Record ]
  *[ AVP ]
```

### 5.6.2 AA-Answer (AAA) command

The AAA command, indicated by the Command-Code field set to 265 and the "R" bit cleared in the Command Flags field, is sent by the PCRF to the AF in response to the AAR command.

Message Format:

```
<AA-Answer> ::= < Diameter Header: 265, PXY >
  < Session-Id >
  { Auth-Application-Id }
  { Origin-Host }
  { Origin-Realm }
  [ Result-Code ]
  [ Experimental-Result ]
  [ Auth-Session-State ]
  *[ Access-Network-Charging-Identifier ]
  [ Access-Network-Charging-Address ]
```

```

    [ Acceptable-Service-Info ]
    [ IP-CAN-Type ]
    [ NetLoc-Access-Support ]
    [ RAT-Type ]
  * [ Flows ]
    [ OC-Supported-Features ]
    [ OC-OLR ]
  * [ Supported-Features ]
  * [ Class ]
    [ Error-Message ]
    [ Error-Reporting-Host ]
  * [ Failed-AVP ]
    [ Origin-State-Id ]
  * [ Redirect-Host ]
    [ Redirect-Host-Usage ]
    [ Redirect-Max-Cache-Time ]
  * [ Proxy-Info ]
  * [ AVP ]

```

### 5.6.3 Re-Auth-Request (RAR) command

The RAR command, indicated by the Command-Code field set to 258 and the "R" bit set in the Command Flags field, is sent by the PCRF to the AF in order to indicate an Rx specific action.

Message Format:

```

<RA-Request> ::= < Diameter Header: 258, REQ, PXY >
  < Session-Id >
  { Origin-Host }
  { Origin-Realm }
  { Destination-Realm }
  { Destination-Host }
  { Auth-Application-Id }
  * { Specific-Action }
  [ OC-Supported-Features ]
  * [ Access-Network-Charging-Identifier ]
  [ Access-Network-Charging-Address ]
  * [ Flows ]
  * [ Subscription-Id ]
  [ Abort-Cause ]
  [ IP-CAN-Type ]
  [ NetLoc-Access-Support ]
  [ RAT-Type ]
  [ Sponsored-Connectivity-Data ]
  [ 3GPP-User-Location-Info ]
  [ User-Location-Info-Time ]
  [ 3GPP-MS-TimeZone ]
  * [ RAN-NAS-Release-Cause ]
  [ 3GPP-SGSN-MCC-MNC ]
  [ TWAN-Identifier ]
  [ Origin-State-Id ]
  * [ Class ]
  * [ Proxy-Info ]
  * [ Route-Record ]
  * [ AVP ]

```

### 5.6.4 Re-Auth-Answer (RAA) command

The RAA command, indicated by the Command-Code field set to 258 and the "R" bit cleared in the Command Flags field, is sent by the AF to the PCRF in response to the RAR command.

Message Format:

```

<RA-Answer> ::= < Diameter Header: 258, PXY >
  < Session-Id >
  { Origin-Host }
  { Origin-Realm }
  [ Result-Code ]
  [ Experimental-Result ]
  [ OC-Supported-Features ]
  [ OC-OLR ]
  * [ Media-Component-Description ]
  [ Service-URN ]
  [ Origin-State-Id ]
  * [ Class ]
  [ Error-Message ]

```

```

    [ Error-Reporting-Host ]
    * [ Redirect-Host ]
    [ Redirect-Host-Usage ]
    [ Redirect-Max-Cache-Time ]
    * [ Failed-AVP ]
    * [ Proxy-Info ]
    * [ AVP ]

```

### 5.6.5 Session-Termination-Request (STR) command

The STR command, indicated by the Command-Code field set to 275 and the "R" bit set in the Command Flags field, is sent by the AF to inform the PCRF that an established session shall be terminated.

Message Format:

```

<ST-Request> ::= < Diameter Header: 275, REQ, PXY >
    < Session-Id >
    { Origin-Host }
    { Origin-Realm }
    { Destination-Realm }
    { Auth-Application-Id }
    { Termination-Cause }
    [ Destination-Host ]
    [ OC-Supported-Features ]
    * [ Required-Access-Info ]
    * [ Class ]
    [ Origin-State-Id ]
    * [ Proxy-Info ]
    * [ Route-Record ]
    * [ AVP ]

```

### 5.6.6 Session-Termination-Answer (STA) command

The STA command, indicated by the Command-Code field set to 275 and the "R" bit cleared in the Command Flags field, is sent by the PCRF to the AF in response to the STR command.

Message Format:

```

<ST-Answer> ::= < Diameter Header: 275, PXY >
    < Session-Id >
    { Origin-Host }
    { Origin-Realm }
    [ Result-Code ]
    [ Error-Message ]
    [ Error-Reporting-Host ]
    [ OC-Supported-Features ]
    [ OC-OLR ]
    [ Failed-AVP ]
    [ Sponsored-Connectivity-Data ]
    [ Origin-State-Id ]
    [ 3GPP-User-Location-Info ]
    [ User-Location-Info-Time ]
    [ 3GPP-MS-TimeZone ]
    * [ RAN-NAS-Release-Cause ]
    [ 3GPP-SGSN-MCC-MNC ]
    [ TWAN-Identifier ]
    [ Netloc-Access-Support ]
    * [ Class ]
    * [ Redirect-Host ]
    [ Redirect-Host-Usage ]
    [ Redirect-Max-Cache-Time ]
    * [ Proxy-Info ]
    * [ AVP ]

```

### 5.6.7 Abort-Session-Request (ASR) command

The ASR command, indicated by the Command-Code field set to 274 and the "R" bit set in the Command Flags field, is sent by the PCRF to inform the AF that bearer for the established session is no longer available.

Message Format:

```

<AS-Request> ::= < Diameter Header: 274, REQ, PXY >
    < Session-Id >
    { Origin-Host }
    { Origin-Realm }

```

```
{ Destination-Realm }
{ Destination-Host }
{ Auth-Application-Id }
[ OC-Supported-Features ]
{ Abort-Cause }
[ Origin-State-Id ]
*[ Proxy-Info ]
*[ Route-Record ]
*[ AVP ]
```

### 5.6.8 Abort-Session-Answer (ASA) command

The ASA command, indicated by the Command-Code field set to 274 and the "R" bit cleared in the Command Flags field, is sent by the AF to the PCRF in response to the ASR command.

Message Format:

```
<AS-Answer> ::= < Diameter Header: 274, PXY >
< Session-ID >
{ Origin-Host }
{ Origin-Realm }
[ Result-Code ]
[ OC-Supported-Features ]
[ OC-OLR ]
[ Origin-State-Id ]
[ Error-Message ]
[ Error-Reporting-Host ]
*[ Failed-AVP ]
*[ Redirect-Host ]
[ Redirect-Host-Usage ]
[ Redirect-Max-Cache-Time ]
*[ Proxy-Info ]
*[ AVP ]
```

## Annex A (normative): IMS Related P-CSCF Procedures over Rx

### A.1 Provision of Service Information at P-CSCF

The P-CSCF shall send service information to the PCRF upon every SIP message that includes an SDP answer payload for the purpose of authorizing the IP flows and the QoS resources required for a negotiated IMS session, unless the SDP payload only relates to a circuit-switched bearer (i.e. 'c=' line set to 'PSTN' and an 'm=' line set to 'PSTN', refer to 3GPP TS 24.292 [26]). The service information shall be derived both from the SDP offer and the SDP answer. This ensures that the PCRF receives proper information to perform media authorization for all possible IMS session set-up scenarios, and that the PCRF is also capable of handling session modifications. The P-CSCF may include the Service-Info-Status AVP with the value set to FINAL\_SERVICE\_INFORMATION.

Additionally, the P-CSCF may send service information to the PCRF when receiving a SIP message that includes an SDP offer payload for the purpose of performing an early bandwidth authorization check, or for enabling pre-authorization for a UE terminated IMS session establishment or modification with UE initiated resource reservation, or for the retrieval of network provided access network information (see subclause A.10.2). The P-CSCF shall send service information to the PCRF when receiving a SIP message that includes an SDP offer payload when the IMS session is an MPS session that requires priority treatment. For a UE terminated session the P-CSCF may send the service information derived from the SDP offer when the SDP offer either does not include any preconditions information or includes preconditions information indicating that the local preconditions (i.e. the preconditions related to the remote peer) are already met. In this case, the P-CSCF shall derive the service information only from the SDP offer and shall include the Service-Info-Status AVP with the value set to PRELIMINARY SERVICE INFORMATION.

**NOTE:** For a UE terminated session setup, when the SDP offer either does not include any preconditions information or includes preconditions information indicating that the local preconditions (i.e. the preconditions related to the remote peer) are already met, the terminating UE can request a resource modification prior to sending the SDP answer. Even if the IP address and port information in the session information derived from the SDP offer can be insufficient for PCC rule authorization, the policy to handle such UE initiated requests at the PCRF can take into account the fact that an IMS session establishment is ongoing, for instance in deciding whether to authorize the request and in selecting an appropriate charging key and a gating policy.

The P-CSCF shall derive Flow-Description AVP within the service information from the SDP as follows:

- An uplink Flow-Description AVP shall be formed as follows: The destination address shall be taken from the SDP information received by the P-CSCF in downlink direction, while the source IP address may be formed from the address present in the SDP received by the P-CSCF in uplink direction (taking into account only the 64 bit prefix of the Ipv6 address) Source and destination ports shall be derived according to rules provided in 3GPP TS 29.213 [9] subclause 6.2.

**EXAMPLE 1:** Assuming UE A sends an SDP to UE B, the PCRF of UE B uses the address present in this SDP for the destination address of UE B's uplink Flow-Description AVP, while the PCRF of the UE A uses the 64 bit prefix of the same address for the source address of UE A's uplink Flow-Description AVP. If the source address is not formed from the 64 bit prefix, the source address shall be wildcarded.

- A downlink Flow-Description AVP shall be formed as follows: The destination address shall be taken from the SDP information received by the P-CSCF in uplink direction, while the source IP address may be formed (in order to reduce the possibilities of bearer misuse) from the destination address in the SDP received by the P-CSCF in downlink direction (taking into account only the 64 bit prefix of the Ipv6 address) Source and destination ports shall be derived according to rules provided in 3GPP TS 29.213 [9] subclause 6.2.

**EXAMPLE 2:** Assuming UE A sends an SDP to UE B, the PCRF of UE A uses the address present in this SDP for the destination address of UE A's downlink Flow-Description AVP, while the PCRF of UE B uses the 64 bit prefix of the same address for the source address of UE B's downlink Flow-Description AVP. If the source address is not formed from the 64 bit prefix, the source address shall be wildcarded.

The P-CSCF shall derive the bandwidth information within the service information, from the 'b=AS' SDP parameter, as detailed in 3GPP TS 29.213 [9] subclause 6.2. For the possibly associated RTCP IP flows, the P-CSCF shall use the SDP 'b=RR' and 'b=RS' parameters, if present, as specified in 3GPP TS 29.213 [9] subclause 6.2. The 'b=AS', 'b=RR' and 'b=RS' parameters in the SDP contain all the overhead coming from the IP-layer and the layers above, e.g. IP, UDP, RTP and RTCP payload, or IP, UDP and RTCP.

However, if service information is received containing the 'b=TIAS' SDP parameter that corresponds to an SDP answer payload, and if the P-CSCF supports this parameter, the P-CSCF may derive the bandwidth from this parameter rather than from the 'b=AS' SDP parameter, as detailed in 3GPP TS 29.213 [9] subclause 6.2.

When available, the P-CSCF shall also indicate to PCRF, as a complement to the Service Information, the IMS Communication Service Identifier within the AF-Application-Identifier AVP. The originating P-CSCF shall take the IMS Communication Service Identifier value from the SIP response. The terminating P-CSCF shall take the IMS Communication Service Identifier value from the SIP request. Otherwise, the P-CSCF may not be able to provide an IMS Communication Service Identifier value to the PCRF. The format and specific headers where IMS communication service identifiers are transported within SIP are defined in 3GPP TS 24.229 [17].

If the Service-URN AVP does not include an emergency service URN, i.e. a top-level service type of 'sos' as specified in IETF RFC 5031 [21] and possibly additional sub-service information on the type of the emergency service and the PCRF binds the IMS service session to an IP-CAN session established to an Emergency APN, the PCRF shall return an AAA command with Experimental-Result-Code AVP set to the value UNAUTHORIZED\_NON\_EMERGENCY\_SESSION to the P-CSCF. Upon receiving an AAA with Experimental-Result-Code AVP set to the value UNAUTHORIZED\_NON\_EMERGENCY\_SESSION the P-CSCF shall apply the procedures defined in 3GPP TS 24.229 [17].

**NOTE:** The PCRF determines whether an IP-CAN session is established to an Emergency APN based on the information received over Gx and operator configuration.

The PCRF may decide not to authorize requested service information. The PCRF will indicate it to the P-CSCF by sending an AA-Answer with Experimental-Result-Code AVP set to the value REQUESTED\_SERVICE\_NOT\_AUTHORIZED. Upon receiving an AA-Answer with Experimental-Result-Code AVP set to the value REQUESTED\_SERVICE\_NOT\_AUTHORIZED the P-CSCF shall apply the procedures defined in 3GPP TS 24.229 [17].

---

## A.2 Enabling of IP Flows

Prior to the completion of the SIP session set-up, i.e. until the 200 OK (INVITE) or any other 2xx response is received, the P-CSCF may enable or disable media IP flows depending on operator policy, thus allowing or forbidding early media in forward and/or backward direction. Only to disable early media, the P-CSCF may modify the values of the Flow-Status AVPs derived from SDP according to 3GPP TS 29.213 [9] clause 6.2. If the P-CSCF chooses to modify the values, the P-CSCF shall store the last received SDP.

When a 2xx response is received, the P-CSCF shall enable all media IP flows according to the direction attribute within the last received SDP, as specified in 3GPP TS 29.213 [9] clause 6.2. When a 2xx response is received and the P-CSCF previously provided modified values of the Flow-Status AVPs in the session information, the P-CSCF shall provide service information with values of the Flow-Status AVPs corresponding to the last received SDP.

**NOTE:** In most cases a 2xx response is a 200 OK.

If the P-CSCF receives SDP answers after the completion of the SIP session set-up, i.e. after the 200 OK (INVITE) or any other 2xx response is received, the P-CSCF shall provide the Flow-Status AVP, based on the last received SDP answer. The Flow-Status AVP as derived from the SDP according to 3GPP TS 29.213 [9] clause 6.2.

## A.3 Support for SIP forking

The P-CSCF shall be able to handle forking when PCC is applied. Forking can occur as specified in 3GPP TS 23.228 [16]. The related UE procedures are described in 3GPP TS 24.229 [17].

### A.3.1 PCC rule provisioning for early media for forked responses

When a SIP session has been originated by a connected UE, the P-CSCF may receive multiple provisional responses due to forking before the first final answer is received. Multiple early media session may be established during this process.

The UE and the P-CSCF become aware of the forking only when a subsequent provisional response arrives for a new early dialogue. After the first early media session is established, for each subsequent provisional response establishing an additional early media session, the P-CSCF shall use an AA request within the existing Diameter session containing the SIP-Forking-Indication AVP with value SEVERAL\_DIALOGUES and include the service information derived from the latest provisional response.

The P-CSCF shall also provision the service information derived from any subsequent SDP offer-answer exchange within an early dialogue (e.g. in PRACK and OK(PRACK), or UPDATE and OK(UPDATE) ) using an AA request within the existing Diameter session containing the SIP-Forking-Indication AVP with value SEVERAL\_DIALOGUES and the derived service information.

When receiving an AA request containing the SIP-Forking-Indication AVP with value SEVERAL\_DIALOGUES, the PCRF shall identify the existing authorization information for that AF session. The PCRF shall send additional PCC Rules or individual service data flow filters to already provide PCC rules as required by the Flow Description AVPs within the session information to the PCEF. The PCRF shall authorize any additional media components and any increased QoS requirements for the previously authorized media components, as requested within the service information. The PCRF shall authorize the maximum bandwidth required by any of the dialogues, but not the sum of the bandwidths required by all dialogues. Thus, the QoS authorized for a media component is equal to the highest QoS requested for that media component by any of the forked responses. The PCRF shall open or close the gates for service flows depending on the flow status that is being provisioned. However, if a flow ID has been enabled in uplink or downlink direction or both way within previous service information, it shall remain enabled even if the PCRF receives service information that disable this flow ID within an AA request containing the SIP-Forking-Indication AVP with value SEVERAL\_DIALOGUES.

### A.3.2 Updating the provisioned PCC rules at the final answer

The P-CSCF shall store the SDP information for each early dialogue separately till the first final SIP answer is received. Then the related early dialogue is progressed to an established dialogue to establish the final SIP session. All the other early dialogues are terminated. The service information for the SIP session is updated to match the requirements of the remaining early dialogue only.

When receiving the first final SIP response, the P-CSCF shall send an AA request without the SIP-Forking-Indication AVP and include the service information derived from the SDP corresponding to the dialogue of the final response. The P-CSCF shall provision the full service information including the applicable Flow-Description AVP(s) and Flow-Status AVP(s).

When receiving an AA request with no SIP-Forking-Indication AVP or with a SIP-Forking-Indication AVP with value SINGLE\_DIALOGUE, the PCRF shall update installed PCC Rules information and Authorized-QoS information to match only the requirements of the service information within this AA request. The PCRF should immediately remove PCC Rule(s) or individual service data flow filters not matching IP flow(s) in the updated Service Information, to reduce the risk for initial clipping of the media stream, and to minimize possible misuse of resources. The PCRF shall also open or close the gates for service flows according to the flow status in the received service information.



---

## A.4 Notification of AF Signalling Transmission Path Status

When the P-CSCF receives an initial REGISTER SIP message from an attached UE, the P-CSCF may subscribe to notifications of the status of the AF Signalling transmission path using the procedures specified in clause 4.4.5. Once the P-CSCF has subscribed, the P-CSCF may receive notifications from the PCRF according to clause 4.4.6.3.

NOTE 1: When the Standardised QCI characteristics as defined in 3GPP TS 23.203 [2] are followed, the QCI for IMS signalling will correspond to a non-GBR bearer. In this case, the P-CSCF will not receive notifications related to the Specific-Action with value 'INDICATION\_OF\_LOSS\_OF\_BEARER'.

NOTE 2: This procedure is not applicable for IMS registrations for Emergency sessions.

The P-CSCF shall cancel the subscription to notification of the status of the AF Signalling transmission path when the AF Signalling to that particular user is terminated (i.e. when the user is de-REGISTERED from the IM CN subsystem).

When the P-CSCF receives a notification of loss of signalling connectivity from the PCRF, the P-CSCF shall behave as defined in 3GPP TS 24.229 [17].

---

## A.5 Indication of Emergency Session

A SIP INVITE request can contain a service URN as defined in IETF RFC 5031 [21] within the request URI. If the service within this URN is 'sos', possibly with additional sub-service information, the P-CSCF shall provision this service and sub-service information within the Service-URN AVP towards the PCRF. The P-CSCF may also provision possible information about other services received within the service URN.

---

## A.6 Notification IP-CAN Type Change

When the P-CSCF receives an initial REGISTER SIP message from an attached UE, the P-CSCF may request from the PCRF the information about the type of IP-CAN the UE is attached to using the procedure specified in subclause 4.4.1.

NOTE: This procedure is not applicable for IMS registrations for Emergency sessions.

If the P-CSCF requests information about the type of IP-CAN, the P-CSCF shall also subscribe within the same AAR command operation to notifications for changes of the IP-CAN type used by the UE. The P-CSCF shall include a Specific-Action AVP in the AAR that is set to the value of IP-CAN\_CHANGE.

When the P-CSCF receives the AA-Answer or RA-Request from the PCRF, the P-CSCF stores the IP-CAN type information and the RAT type information (if also provided by the PCRF) and behaves as defined in 3GPP TS 24.229 [17].

The P-CSCF may receive notifications for changes of the IP-CAN type from the PCRF according to clause 4.4.6.4.

When the P-CSCF receives a notification of the change of the IP-CAN used by the UE, the P-CSCF stores the new IP-CAN type information and behaves as defined in 3GPP TS 24.229 [17].

The P-CSCF shall cancel the subscription to notification for changes of the IP-CAN type used by the UE when the user is de-REGISTERED from the IM CN subsystem.

## A.7 Support for Early Session disposition SDP

### A.7.1 General

As a network option, the P-CSCF may support the PCC procedures in the present Clause to handle 'early session' disposition type SDP, as standardised in IETF RFC 3959 [27].

### A.7.2 Service Information Provisioning for Early Media

The P-CSCF can receive 'early session' disposition SDP in addition to 'session' disposition SDP in SIP early dialogues.

The P-CSCF shall then provision service information derived both from the 'early session' disposition SDP and 'session' disposition SDP applying the procedures in Clauses A.1, A.2, and A.3, and in the present Clause.

The P-CSCF shall apply the mapping rules in Annex B.1.2.2.2 to derive the flow identifiers from 'early session' disposition SDP.

If a single media line with one media type (e.g. 'audio' or 'video') is contained in 'early session' disposition SDP and a single media line with the same media type is contained in the 'session' disposition SDP of the same SIP dialogue, and both media lines describe service flows of the same directionality (uplink, downlink, or bidirectional), the P-CSCF should describe those SDP media lines in the same session information media component (with the same flow ID).

The 'early session' disposition SDP can also contain media lines of a type not included in the 'session' disposition SDP, or several media lines of the same type. Such media components shall be described in own media components in the service information.

If the P-CSCF desires to invoke special policies or separate event notifications for an 'early session' disposition media line, it may choose to provision a separate session information media component even if a media line with the same media type and directionality is contained in 'session' disposition SDP.

NOTE 1: A PCRF is then likely to supply separate PCC rules for early media and the corresponding final media. This may lead to an over provisioning of resources during call establishment and a subsequent reconfiguration of the radio bearer, or even to a call failure if the extra resources are not authorized or available.

If the P-CSCF receives 'early session' disposition SDP before any 'session' disposition SDP and supplies service information derived from the 'early session' disposition SDP at this point of time, it shall use dedicated media components relating only to the 'early session' disposition SDP in the service information.

NOTE 2: The 'session' disposition SDP offer will frequently occur before the 'early session' disposition SDP offer, but can also occur in parallel or in exceptional cases afterwards. The 'session' disposition SDP answer can be contained in the same SIP message as the 'early session' disposition SDP offer, or can be sent in a 200 OK (INVITE), i.e. after the 'early session' disposition SDP answer.

If the P-CSCF includes any media component relating both to 'early session' disposition SDP and 'session' disposition SDP in the service information, the P-CSCF shall:

- provision the service information derived from 'early session' disposition SDP and the service information derived from 'session' disposition SDP in separate Rx AA-Requests, and shall send a new Rx AA-Request only after any previous Rx AA-Request has been acknowledged; and
- provision the first service information (either derived from 'early session' disposition SDP or 'session' disposition SDP) without the SIP-Forking-Indication AVP, or with the SIP-Forking-Indication AVP with value SINGLE\_DIALOGUE; and
- provision all subsequent service information during ongoing call establishment with the SIP-Forking-Indication AVP with value SEVERAL\_DIALOGUES; and
- if an SDP answer has been received and Codec-Data AVPs are provisioned within a Media-Component-Description AVP, provision a Codec-Data AVP derived from the corresponding offer together with a Codec-Data AVP derived from the SDP answer.

NOTE 3: The P-CSCF needs to provision the service information derived from 'early session' disposition SDP and the service information derived from 'session' disposition SDP in separate Rx AA-Requests because the encoding of the media-component does not allow for the simultaneous provisioning of two corresponding filters.

NOTE 4: The PCRF will treat service information containing the SIP-Forking-Indication AVP as described in Clause A.3.

### A.7.3 Updating the Provisioned Service Information when Dialogue is established

The P-CSCF shall store the SDP information for the 'session' disposition type until the first final SIP answer is received. Then the early media described in the 'early session' disposition type SDP are terminated.

The P-CSCF shall then update the service information to match the requirements of the media described in the 'session' disposition type SDP only:

- If the P-CSCF included any media component relating both to 'early session' disposition SDP and 'session' disposition SDP in the service information, the P-CSCF shall send an AA request without the SIP-Forking-Indication AVP or with a SIP-Forking-Indication AVP with value SINGLE\_DIALOGUE and shall include the service information derived from the 'session' disposition SDP. The P-CSCF shall provision the full service information including the applicable Flow-Description AVP(s) and Flow-Status AVP(s).
- The P-CSCF shall disable any media component(s) in the service information that relate to early media only by setting their flow status to 'removed'.

## A.8 Provision of Signalling Flow Information at P-CSCF

When the P-CSCF has successfully concluded the initial registration of an attached UE, i.e., when the P-CSCF has sent to the UE a SIP 200 (OK) response to the SIP REGISTER request, the P-CSCF may provision information about the SIP signalling flows between the UE and itself using the procedure specified in subclause 4.4.5a. If the P-CSCF already has an open Rx Diameter session with the PCRF related to the signalling with the UE, e.g. one that has been opened according to the procedure described in subclause A.6 and/or in subclause A.4, the P-CSCF shall reuse the already open session to provision the SIP Signalling IP Flow information.

NOTE: This procedure is not applicable for IMS registrations for Emergency sessions.

If the P-CSCF provisions information about SIP signalling flows, the P-CSCF shall ensure that for each signalling IP flow information it provides, the Flow-Description AVP shall accurately reflect the IP flow information as seen in the IP header "on the wire". The P-CSCF shall set the value of the AF-Signalling-Protocol AVP to "SIP".

When the P-CSCF de-registers the UE and terminates SIP Signalling to the UE, the P-CSCF shall de-provision the SIP Signalling IP flow information from the PCRF as described in subclause 4.4.5a.

---

## A.9 Handling of MPS Session

When the P-CSCF receives an authorised Resource-Priority header field or a temporarily authorised Resource-Priority header field containing an appropriate namespace and priority value in SIP signaling, and recognizes the need for priority treatment as specified in 3GPP TS 24.229 [17], the P-CSCF shall include the MPS-Identifier AVP and Reservation-Priority AVP in the AAR command towards the PCRF. The MPS-Identifier AVP shall contain the national variant for MPS service name indicating an MPS session. The Reservation-Priority AVP shall include the priority value of the related priority service. The Reservation-Priority AVP shall be populated with a default value if the priority value is unknown.

NOTE 1: Various mechanisms can be applied to recognize the need for priority treatment in the P-CSCF (e.g., based on the dialled digits), according to national regulation and network configuration, as stated in 3GPP TS 24.229 [17].

NOTE 2: Lowest user priority value shall be mapped in the corresponding lowest enumerated value of the Reservation-Priority AVP.

Upon reception of a request that requires MPS treatment, the PCRF shall derive the PCC/QoS Rules corresponding to the MPS session, as appropriate. The PCRF shall take specific actions on the corresponding IP-CAN to ensure that the MPS session is prioritized, as described in 3GPP TS 29.212 [8], clause 4.5.19.1.3.

When the P-CSCF terminates the MPS session, the PCRF shall delete the PCC/QoS Rules corresponding to the MPS session. The PCRF shall revoke the actions related to the prioritization of the MPS session in the corresponding IP-CAN, as described in 3GPP TS 29.212 [8], clause 4.5.19.1.3.

---

## A.10 Retrieval of network provided location information

### A.10.1 General

According to Annex E.7 of 3GPP TS 23.228 [16], the P-CSCF can use PCC to retrieve network provided location information. Information flows related to the distribution of network provided location information within the IMS are provided in Annex R of 3GPP TS 23.228 [16].

This subclause provides optional PCC procedures to support the retrieval of network provided location information.

The originating P-CSCF can, depending on operator policy, retrieve the user location and/or UE Time Zone information either before sending the INVITE towards the terminating side or upon reception of the SDP answer from the terminating side.

### A.10.2 Retrieval of network provided location information at originating P-CSCF for inclusion in SIP Request

If the originating P-CSCF is required by operator policy to retrieve network provided location information before forwarding a SIP INVITE request, upon reception of an INVITE/UPDATE request, the P-CSCF shall send an AA-Request according to subclause 4.4.1 (SIP INVITE request) or 4.4.2 (SIP INVITE/UPDATE request) including:

- the 'ACCESS\_NETWORK\_INFO\_REPORT' value within the Specific-Action AVP; and
- the required access network information within the Required-Access-Info AVP.

If the SIP INVITE request is an initial SIP INVITE request, the P-CSCF shall establish an Rx session for the new SIP session with the AA-Request according to subclause 4.4.6.7 (if no session information is included) or 4.4.1 (if preliminary session information is included).

The P-CSCF will receive the access network information from the PCRF in an RAR, and should include this access network information in the SIP INVITE/UPDATE requests that it forwards. When the retrieved access network information corresponds to the TWAN-Identifier AVP, the P-CSCF may also map the retrieved access network information to a Geographical Identifier for routing, as specified in Annex E.8 of 3GPP TS 23.228 [16].

### A.10.3 Retrieval of network provided location information at originating P-CSCF for inclusion in SIP response confirmation

If an originating P-CSCF is required by operator policy to retrieve network provided location information before forwarding an SDP answer, the P-CSCF shall apply the following procedures:

Upon reception of an SDP offer, the P-CSCF may send an AA-Request to the PCRF according to subclause A.1 and may include in this AA-request:

- the 'ACCESS\_NETWORK\_INFO\_REPORT' value within the Specific-Action AVP; and

- the required access network information within the Required-Access-Info AVP.

Upon reception of an SDP answer, the P-CSCF will send an AA-Request to the PCRF according to subclause A.1. If the P-CSCF has not requested access network information upon reception of the SDP offer, the P-CSCF shall include in this AA-request:

- the 'ACCESS\_NETWORK\_INFO\_REPORT' value within the Specific-Action AVP; and
- the required access network information within the Required-Access-Info AVP.

The P-CSCF will receive the access network information from the PCRF in an RAR, and should include this access network information in the SIP message with the response confirmation before forwarding it. When the retrieved access network information corresponds to the TWAN-Identifier AVP, the P-CSCF may also map the retrieved access network information to a Geographical Identifier for routing, as specified in Annex E.8 of 3GPP TS 23.228 [16].

## A.10.4 Retrieval of network provided location information at terminating P-CSCF

If a terminating P-CSCF is required by operator policy to retrieve network provided location information at session establishment and/or modification, when receiving a SIP response, the P-CSCF shall apply the following procedures:

Upon reception of a SIP response that requires the inclusion of access network information and includes an SDP answer, the P-CSCF will send an AA-Request to the PCRF according to subclause A.1 and shall include in this AA-request:

- the 'ACCESS\_NETWORK\_INFO\_REPORT' value within the Specific-Action AVP; and
- the required access network information within the Required-Access-Info AVP.

Upon reception of a SIP response that requires the inclusion of access network information and includes no SDP answer, the P-CSCF shall send an AA-Request including:

- the 'ACCESS\_NETWORK\_INFO\_REPORT' value within the Specific-Action AVP; and
- the required access network information within the Required-Access-Info AVP.

The P-CSCF may also include in the AA-Request

- service information derived from an SDP offer within the SIP response; and
- the Service-Info-Status AVP with the value set to PRELIMINARY SERVICE INFORMATION.

If the SIP INVITE request is an initial SIP INVITE request, the P-CSCF shall establish an Rx session for the new SIP session with the AA-Request according to subclause 4.4.6.7 (if no session information is included) or 4.4.1 (if preliminary session information is included).

If an Rx session related to service data has not yet been established, the P-CSCF shall establish an Rx session for the new SIP session with the AA-Request according to subclause 4.4.6.7 (if no session information is included) or 4.4.1 (if preliminary session information is included).

The P-CSCF will receive the access network information from the PCRF in an RAR, and should include this access network information in the SIP response before forwarding it. When the retrieved access network information corresponds to the TWAN-Identifier AVP, the P-CSCF may also map the retrieved access network information to a Geographical Identifier for routing, as specified in Annex E.8 of 3GPP TS 23.228 [16].

## A.10.5 Provisioning of network provided location information at SIP session release

If a P-CSCF is required by operator policy to include network provided location information in SIP session release signalling, the P-CSCF shall apply the following procedures:

Upon reception of a SIP session release request that requires the inclusion of network provided location information, the P-CSCF will send an ST-Request and shall include in this request the required access network information within the Required-Access-Info AVP.

The P-CSCF will receive the access network information from the PCRF in the corresponding ST-Answer, and should include this access network information either in the SIP session termination request (at the originating side) or a reply to the SIP session termination request (at the terminating side). When the retrieved access network information corresponds to the TWAN-Identifier AVP, the P-CSCF may also map the retrieved access network information to a Geographical Identifier for routing, as specified in Annex E.8 of 3GPP TS 23.228 [16].

## A.10.6 Handling of RAN/NAS release cause values

If the P-CSCF is required by operator policy to provide the RAN/NAS release cause information, it includes this information in the corresponding SIP message as specified in 3GPP TS 24.229 [17] when received from the PCRF (see subclause 4.4.4, 4.4.6.1, 4.4.6.2, 4.4.6.3 and 4.4.6.7).

---

## Annex B (normative): Flow identifiers: Format definition and examples

### B.1 Format of a flow identifier

#### B.1.1 General

A flow identifier is expressed as a 2-tuple as follows:

<The ordinal number of the position of the media component description in the SDI , The ordinal number of the IP flow(s) within the media component description assigned in the order of increasing downlink port numbers as detailed below >

where both are numbered starting from 1. The encoding of the flow identifier is as indicated in 3GPP TS 24.008 [12].

If UE and AF share an algorithm for a given application, which guarantees that UE and AF assign the same ordinal number to each media component, the ordinal numbers of the IP Flows within a media component shall be assigned according to the following rules:

- All IP flow(s) or bidirectional combinations of two IP flow(s) within the media component, for which a downlink destination port number is available, shall be assigned ordinal numbers in the order of downlink destination port numbers.
- All IP flows, where no downlink destination port number is available, shall be assigned the next higher ordinal numbers in the order of uplink destination port numbers.

The ordinal number of a media component shall not be changed when the session description information is modified.

If no SDI with fixed and unique positions for media components is exchanged between UE and AF, the UE and AF may assign the ordinal numbers of the media components in another application-dependent algorithm which guarantees that UE and AF assign the same ordinal number to each media component.

If UE and AF do not share an algorithm for a given application, which guarantees that UE and AF assign the same ordinal number to each media component, the ordinal number of the media component shall be set to zero and the ordinal number of the IP flows shall be assigned according to the following rules:

1. If ordinal numbers for several IP flows are assigned at the same time, all uplink IP flows shall be assigned lower ordinal number than all downlink IP flows.
2. If ordinal numbers for several IP flows are assigned at the same time, all uplink and all downlink IP flows shall separately be assigned ordinal numbers according to increasing internet protocol number assigned by IANA (e.g. 6 for TCP and 17 for UDP)
3. If ordinal numbers for several IP flows are assigned at the same time, for each internet protocol with a port concept, all uplink and all downlink IP flows of this internet protocol shall separately be assigned ordinal numbers according to increasing port numbers.
4. If IP flows are removed from an existing session, the previously assigned binding info shall remain unmodified for the remaining IP flows.
5. If IP flows are added to an existing session, the previously assigned binding info shall remain unmodified and the new IP flows shall be assigned ordinal numbers following the rules 1. To 3., starting with the first previously unused ordinal number. The numbers freed in step 4. Shall not be reused.

If the IP flows correspond to AF signalling (e.g. SIP signalling IP Flows), and no IP flow information is provided both the ordinal number of the media component and the IP flows shall be set to zero. In the case when the IP flow information of the AF signalling is provided, the ordinal number of the media component will be set to zero, and the ordinal number(s) of the IP flows shall follow the rules set above for the case when the UE and AF do not share an algorithm for a given application.

## B.1.2 Derivation of Flow Identifiers from SDP

### B.1.2.1 Standard Procedure

The procedure in Table B.1.2.1.1 shall be applied for SDP of 'session' disposition type within SIP and for all SDP outside SIP.

**Table B.1.2.1.1: Standard Procedure to derive Flow Identifiers from SDP**

The ordinal number of the position of the media component	The ordinal number of the IP flow(s) within the media component description
The ordinal number of the position of the 'm=' line in the SDP	The ordinal number of the IP flow(s) within the 'm=' line assigned in the order of increasing downlink destination port numbers, if downlink destination port numbers are available. For uplink or inactive unicast media IP flows, a downlink destination port number is nevertheless available, if SDP offer-answer according to RFC 3264 is used. The ordinal number of the IP flow(s) within the 'm=' line assigned in the order of increasing uplink destination port numbers, if no downlink destination port numbers are available.

### B.1.2.2 SDP with 'early session' disposition type

The procedure in Table B.1.2.2.1 shall be applied for SDP of 'early session' disposition type within SIP. The 'early session' disposition type is specified within IETF RFC 3959 [27].

**Table B.1.2.2.1: Procedure to derive Flow Identifiers from 'early session' disposition SDP**

The ordinal number of the position of the media component	The ordinal number of the IP flow(s) within the media component description
If a single media component with one media type (e.g. 'audio' or 'video') is contained in 'early session' disposition SDP and a single media component with the same media type is contained in the 'session' disposition SDP of the same SIP dialogue, and if both SDP media components are described in a single Rx service information media component, that Rx service information media component shall obtain the media component number derived from 'session' disposition SDP following the rules in table B.1.2.1.1. Otherwise each media component shall obtain the ordinal number of the position of the 'm=' line in the 'early session' disposition SDP plus 1000 as media component ordinal number.	As in table B.1.2.1.1.

---

## B.2 Example 1

An UE, as the offerer, sends a SDP session description, as shown in table B.2.1, to an application server (only relevant SDP parameters are shown):

**Table B.2.1: The values of the SDP parameters sent by the UE in example 1.**

V=0 o=ecsreid 3262464865 3262464868 IN IP6 2001:0646:00F1:0045:02D0:59FF:FE14:F33A s=MM01 i=One unidirectional audio media and one unidirectional video media and one bidirectional application
--



```

media
t=3262377600 3262809600
m=video 50230 RTP/AVP 31
c=IN IP6 2001:0646:00F1:0045:02D0:59FF:FE14:F33A
a=recvonly
m=audio 50330 RTP/AVP 0
c=IN IP6 2001:0646:00F1:0045:02D0:59FF:FE14:F33A
a=sendonly
m=application 50430 udp wb
c=IN IP6 2001:0646:00F1:0045:02D0:59FF:FE14:F33A
a=sendrecv

```

and receives the SDP parameters, as shown in table B.2.2, from the application server:

**Table B.2.2: The values of the SDP parameters sent by the application server in example 1.**

```

V=0
o=ecsreid 3262464865 3262464868 IN IP6 2001:0646:00F1:0045:02D0:59FF:FE14:F33A
s=MM01
i=One unidirectional audio media and one unidirectional video media and one bidirectional application
media
t=3262377600 3262809600
m=video 51372 RTP/AVP 31
c=IN IP6 2001:0646:000A:03A7:02D0:59FF:FE40:2014
a=sendonly
m=audio 49170 RTP/AVP 0
c=IN IP6 2001:0646:000A:03A7:02D0:59FF:FE40:2014
a=recvonly
m=application 32416 udp wb
c=IN IP6 2001:0646:000A:03A7:0250:DAFF:FE0E:C6F2
a=sendrecv

```

From this offer–answer exchange of SDP parameters the UE and the PCRF each creates a list of flow identifiers comprising the IP flows as shown in table B.2.3:

**Table B.2.3: Flow identifiers in example 1.**

Order of "m="line	Type of IP flows	Destination IP address / Port number of the IP flows	Flow identifier
1	RTP (Video) DL	2001:0646:00F1:0045:02D0:59FF:FE14:F33A / 50230	<1,1>
1	RTCP DL	2001:0646:00F1:0045:02D0:59FF:FE14:F33A / 50231	<1,2>
1	RTCP UL	2001:0646:000A:03A7:02D0:59FF:FE40:2014 / 51373	<1,2>
2	RTP (Audio) UL	2001:0646:000A:03A7:02D0:59FF:FE40:2014 / 49170	<2,1>
2	RTCP DL	2001:0646:00F1:0045:02D0:59FF:FE14:F33A / 50331	<2,2>
2	RTCP UL	2001:0646:000A:03A7:02D0:59FF:FE40:2014 / 49171	<2,2>
3	UDP (application) DL	2001:0646:00F1:0045:02D0:59FF:FE14:F33A / 50430	<3,1>
3	UDP (application) UL	2001:0646:000A:03A7:0250:DAFF:FE0E:C6F2 / 32416	<3,1>

## B.3 Example 2

In the general case, multiple ports may be specified with a 'number of ports' qualifier as follows, RFC 2327 [17]:

m=<media> <port>/<number of ports> <transport> <fmt list>

An UE, as the offerer, sends a SDP session description, as shown in table B.3.1, to an application server (only relevant SDP parameters are shown):

**Table B.3.1: The values of the SDP parameters sent by the UE in example 2.**

```

v=0
o=ecsreid 3262464321 3262464325 IN IP6 2001:0646:00F1:0045:02D0:59FF:FE14:F33A
s=MM02
i=One unidirectional audio media consisting of two media IP flows described by one media
component
t=3262377600 3262809600
m=audio 50330/2 RTP/AVP 0
c=IN IP6 2001:0646:00F1:0045:02D0:59FF:FE14:F33A
a=recvonly

```

and receives the SDP parameters, as shown in table B.3.2, from the application server:

**Table B.3.2: The values of the SDP parameters sent by the application server in example 2.**

```

v=0
o=ecsreid 3262464321 3262464325 IN IP6 2001:0646:00F1:0045:02D0:59FF:FE14:F33A
s=MM02
i=One unidirectional audio media consisting of two media IP flows described by one media
component
t=3262377600 3262809600
m=audio 49170/2 RTP/AVP 0
c=IN IP6 2001:0646:000A:03A7:02D0:59FF:FE40:2014
a=sendonly

```

From this offer–answer exchange of SDP parameters the UE and the PCRF each creates a list of flow identifiers comprising the IP flows as shown in table B.3.3:

**Table B.3.3: Flow identifiers in example 2.**

Order of "m"-line	Type of IP flows	Destination IP address / Port number of the IP flows	Flow identifier
1	RTP (audio) DL	2001:0646:00F1:0045:02D0:59FF:FE14:F33A / 50330	<1,1>
1	RTCP DL	2001:0646:00F1:0045:02D0:59FF:FE14:F33A / 50331	<1,2>
1	RTCP UL	2001:0646:000A:03A7:02D0:59FF:FE40:2014 / 49171	<1,2>
1	RTP (audio) DL	2001:0646:00F1:0045:02D0:59FF:FE14:F33A / 50332	<1,3>
1	RTCP DL	2001:0646:00F1:0045:02D0:59FF:FE14:F33A / 50333	<1,4>
1	RTCP UL	2001:0646:000A:03A7:02D0:59FF:FE40:2014 / 49173	<1,4>

## B.4 Example 3 without media components.

The UE and AF do not exchange SDP for an application and do not share an algorithm, which guarantees that UE and AF assign the same ordinal number to each media component.

At the AF session initiation, the UE and AF agree to set up the following IP flows:

- Uplink UDP flow with destination port 100.
- Downlink UDP flow with destination port 100.
- Downlink TCP flow with destination port 100.
- Uplink TCP flow with destination port 100.
- Uplink UDP flow with destination port 200.

The following binding info is assigned to these IP flows.

- Uplink UDP flow with destination port 100: (0, 2)
- Downlink UDP flow with destination port 100: (0, 5)
- Downlink TCP flow with destination port 100: (0, 4)
- Uplink TCP flow with destination port 100: (0, 1)
- Uplink UDP flow with destination port 200: (0, 3)

At a later stage in the session, the TCP IP flows are removed and the following IP flows are added:

- Uplink UDP flow with destination port 150.
- Downlink UDP flow with destination port 50.

The following binding info is assigned to the IP flows existing at this stage:

- Uplink UDP flow with destination port 100: (0, 2)
- Downlink UDP flow with destination port 100: (0, 5)
- Uplink UDP flow with destination port 200: (0, 3)
- Uplink UDP flow with destination port 150: (0, 6)
- Downlink UDP flow with destination port 50: (0, 7)

---

## B.5 Example 4

In this example, the SDP 'a=rtcp' attribute defined in IETF RFC 3605 is used.

An UE, as the offerer, sends a SDP session description, as shown in table B.5.1, to an application server (only relevant SDP parameters are shown):

**Table B.5.1: The values of the SDP parameters sent by the UE in example 1.**

```
V=0
o=ecsreid 3262464865 3262464868 IN IP6 2001:0646:00F1:0045:02D0:59FF:FE14:F33A
s=MM01
i=One unidirectional video media
t=3262377600 3262809600
m=video 50230 RTP/AVP 31
c=IN IP6 2001:0646:00F1:0045:02D0:59FF:FE14:F33A
a=recvonly
a=rtcp: 49320
```

and receives the SDP parameters, as shown in table B.5.2, from the application server:

**Table C.5.2: The values of the SDP parameters sent by the application server in example 1.**

```
V=0
o=ecsreid 3262464865 3262464868 IN IP6 2001:0646:00F1:0045:02D0:59FF:FE14:F33A
s=MM01
i=One unidirectional video media
t=3262377600 3262809600
m=video 51372 RTP/AVP 31
c=IN IP6 2001:0646:000A:03A7:02D0:59FF:FE40:2014
a=sendonly
```

a=rtcp:53020

From this offer–answer exchange of SDP parameters the UE and the PCRF each creates a list of flow identifiers comprising the IP flows as shown in table B.5.3:

**Table B.5.3: Flow identifiers in example 4.**

Order of "m=" -line	Type of IP flows	Destination IP address / Port number of the IP flows	Flow identifier
1	RTP (Video) DL	2001:0646:00F1:0045:02D0:59FF:FE14:F33A / 50230	<1,2>
1	RTCP DL	2001:0646:00F1:0045:02D0:59FF:FE14:F33A / 49320	<1,1>
1	RTCP UL	2001:0646:000A:03A7:02D0:59FF:FE40:2014 / 53020	<1,1>

Annex C (informative):  
Void

## Annex D (informative): Change history

Date	TSG #	TSG Doc.	CR	R ev	Subject/Comment	Old	New
11/11/2005					Includes the following TDOCs agreed at CT3#38: C3-050693, C3-050837, C3-050838, C3-050844, C3-050845	0.0.0	0.1.0
17/02/2006					Includes the following TDOCs agreed at CT3#39: C3-060101, C3-060102, C3-060125, C3-060112, C3-060133, C3-060114, C3-060136, C3-060116	0.1.0	0.2.0
13/09/2006					Includes the following TDOCs agreed at CT3#41: C3-060446, C3-060447, C3-060556, C3-060538, C3-060451, C3-060453, C3-060540, C3-060496, C3-060544	0.2.0	0.3.0
15/09/2006					Implementation of C3-060539 missing in former version and correction of an editorial error in C3-060496 implementation.	0.3.0	0.4.0
11/11/2006					Includes the following TDOCs agreed at CT3#42: C3-060605, C3-060639, , C3-060643, C3-060655, C3-060780, C3-060783, C3-060784, C3-060826, C3-060827, C3-060852, C3-060853	0.4.0	0.5.0
01/12/2006	TSG#33	CP-060637			Editorial update by MCC for presentation to TSG CT for information	0.5.0	1.0.0
10/01/2007	TSG#33				The misimplemented style of editor's notes in clause 4.3.2 was corrected to normal by MCC.	1.0.0	1.0.1
15/02/2007					Includes the following TDOCs agreed at CT3#43: C3-070063, C3-070086, C3-070118, C3-070139, C3-070151, C3- 070189, C3-070217, C3-070218, C3-070221, C3-070236, C3- 070254	1.0.1	1.1.0
28/02/2007	TSG#35	CP-070099			Editorial update by MCC for presentation to TSG CT for approval	1.1.0	2.0.0
09/03/2007	TSG#35				References to annex B in chapter 5 were replaced by 'annex tbd' by Ragnar Huslende (CT3 Chairman), as agreed by CT#35	2.0.0	2.1.0
03-2007					MCC update to version 7.0.0 after approval at TSG CT#35	2.1.0	7.0.0
06-2007	TSG#36	CP-070423	001	2	PCRF assure emergency bearer for emergency service	7.0.0	7.1.0
06-2007	TSG#36	CP-070423	002	7	Signalling Path Status detected	7.0.0	7.1.0
06-2007	TSG#36	CP-070423	003		AF-Application Identifier at AF session level	7.0.0	7.1.0
06-2007	TSG#36	CP-070423	005	2	Alignment of PCRF Acknowledgment to AF	7.0.0	7.1.0
06-2007	TSG#36	CP-070423	007	2	Addition of Flow identifier annex	7.0.0	7.1.0
06-2007	TSG#36	CP-070494	008	3	Routeing of Diameter commands – Rx	7.0.0	7.1.0
06-2007	TSG#36	CP-070423	013	1	Various Minor Corrections	7.0.0	7.1.0
06-2007	TSG#36	CP-070423	017	2	Handling of disabled flows for forking	7.0.0	7.1.0
06-2007	TSG#36	CP-070423	020		Diameter application ID	7.0.0	7.1.0
09-2007	TSG#37	CP-070558	022	1	The input for PCC decisions	7.1.0	7.2.0
09-2007	TSG#37	CP-070558	023	1	Session Binding Error	7.1.0	7.2.0
09-2007	TSG#37	CP-070559	025	2	Service Information accepted by PCRF	7.1.0	7.2.0
09-2007	TSG#37	CP-070558	026		TS Clean-Up	7.1.0	7.2.0
09-2007	TSG#37	CP-070558	028	1	Origin-State-Id AVP missing in AA commands	7.1.0	7.2.0
09-2007	TSG#37	CP-070558	030	2	Clarification of PCRF Procedures	7.1.0	7.2.0
09-2007	TSG#37	CP-070558	033	1	Correction of implementation error of CR0013	7.1.0	7.2.0
12-2007	TSG#38	CP-070728	032	5	Providing User's IP-CAN Type and subscription for IP-CAN Type change notification to AF	7.2.0	7.3.0
12-2007	TSG#38	CP-070728	037	1	Provisioning of Service Information at P-CSCF	7.2.0	7.3.0
12-2007	TSG#38	CP-070728	038	3	Clarification on IMS Communication Service Identifier over Rx	7.2.0	7.3.0
12-2007	TSG#38	CP-070728	039		Removal of Emergency Services	7.2.0	7.3.0
12-2007	TSG#38	CP-070728	041	1	Adding Destination-Host to AAR	7.2.0	7.3.0
03-2008	TSG#39	CP-080040	042	1	Adding missing AVPs to Rx commands ABNF	7.3.0	7.4.0
03-2008	TSG#39	CP-080046	044	1	Clarification on Notification in Rx Interface	7.4.0	8.0.0
05-2008	TSG#40	CP-080298	048	3	AVP and Command Code updates for Common IMS	8.0.0	8.1.0
05-2008	TSG#40	CP-080296	049	1	Supporting third party application server for AF	8.0.0	8.1.0
05-2008	TSG#40	CP-080292	051	1	Support of TCP-based media in PCC	8.0.0	8.1.0
05-2008	TSG#40	CP-080299	052	3	IP-CAN Type verification	8.0.0	8.1.0
05-2008	TSG#40	CP-080292	054	1	Notification of Release of Signalling Bearer	8.0.0	8.1.0
05-2008	TSG#40	CP-080299	055	2	IP CAN session definition update	8.0.0	8.1.0
05-2008	TSG#40	CP-080299	057	2	RAT type AVP	8.0.0	8.1.0
09-2008	TSG#41	CP-080487	068	3	PDN information in Rx interface	8.1.0	8.2.0
12-2008	TSG#42	CP-080751	072		Update of IETF references	8.2.0	8.3.0
12-2008	TSG#42	CP-080768	076	1	Out of credit indication, OFF only	8.2.0	8.3.0
12-2008	TSG#42	CP-080760	081	1	Update Reference Model	8.2.0	8.3.0
12-2008	TSG#42	CP-080751	085		Network-only bearer control mode	8.2.0	8.3.0

12-2008	TSG#42	CP-080751	087		Service information request	8.2.0	8.3.0
12-2008	TSG#42	CP-080923	088	1	Support of TIAS parameter	8.2.0	8.3.0
03-2009	TSG#43	CP-090074	091	1	Experimental-Result AVP usage on Rx	8.3.0	8.4.0
03-2009	TSG#43	CP-090082	093	1	Adding Supported-Features AVP to Rx commands	8.3.0	8.4.0
03-2009	TSG#43	CP-090096	095	2	Rx Diameter Sessions	8.3.0	8.4.0
03-2009	TSG#43	CP-090096	096	2	IMS session setup with UE initiated resource reservation	8.3.0	8.4.0
05-2009	TSG#44	CP-090339	098	3	Resource allocation subscription in Rx	8.4.0	8.5.0
05-2009	TSG#44	CP-090346	100	1	ICS impact on PCC	8.4.0	8.5.0
05-2009	TSG#44	CP-090339	101	1	Correction to feature bit definition	8.4.0	8.5.0
05-2009	TSG#44	CP-090334	103	2	Deleting INDICATION_OF_LOSS_OF_BEARER Event	8.4.0	8.5.0
05-2009	TSG#44	CP-090339	104	3	Limited PCC Deployment	8.4.0	8.5.0
05-2009	TSG#44	CP-090353	099	1	Preventing the use of an Emergency APN for Non-emergency calls	8.5.0	9.0.0
09-2009	TSG#45	CP-090573	112	2	Limited PCC deployment	9.0.0	9.1.0
12-2009	TSG#46	CP-090842	116	3	Access Network Charging Identifier handling in Rx	9.1.0	9.2.0
12-2009	TSG#46	CP-090857	117	2	PCC handling of SDP of early session disposition type	9.1.0	9.2.0
12-2009	TSG#46	CP-090838	120	1	Use of Ipv6 Prefix	9.1.0	9.2.0
12-2009	TSG#46	CP-090842	122	3	Corrections for PCC/QoS rule modification failure	9.1.0	9.2.0
12-2009	TSG#46	CP-090857	127	4	Supported Features for Rel-9 Rx	9.1.0	9.2.0
12-2009	TSG#46	CP-090838	130	1	Rx request handling	9.1.0	9.2.0
03-2010	TSG#47	CP-100070	137	1	Correcting the reference of Annex 5	9.2.0	9.3.0
03-2010	TSG#47	CP-100076	139	2	Correction of Flow-Description AVP description	9.2.0	9.3.0
03-2010	TSG#47	CP-100086	140	3	IMS Restoration procedure over Rx	9.2.0	9.3.0
03-2010	TSG#47	CP-100070	143	1	Notification about RAT-type change	9.2.0	9.3.0
03-2010	TSG#47	CP-100076	145	2	Supported-Feature feature bit definitions	9.2.0	9.3.0
09-2010	TSG#49	CP-100626	147	1	3GPP References to TISPN specifications	9.3.0	9.4.0
09-2010	TSG#49	CP-100561	148	2	Impacts of IFOM on Rx interface	9.4.0	10.0.0
09-2010	TSG#49				Editorial correction by MCC	10.0.0	10.0.1
12-2010	TSG#50	CP-100791	150	3	Additions to support sponsored connectivity	10.0.1	10.1.0
12-2010	TSG#50	CP-100771	153	1	Specific-Action AVP to report specific actions	10.0.1	10.1.0
12-2010	TSG#50	CP-100791	154	2	UDR and Ud in PCC Architecture	10.0.1	10.1.0
03-2011	TSG#51	CP-110125	159	3	Authorization of the sponsored data connectivity	10.1.0	10.2.0
03-2011	TSG#51	CP-110125	161	4	ASP operators information for sponsored data connectivity	10.1.0	10.2.0
03-2011	TSG#51	CP-110125	162	2	Usage for sponsored connectivity	10.1.0	10.2.0
03-2011	TSG#51	CP-110114	165	1	Fixing Supported-Feature feature bit definitions	10.1.0	10.2.0
03-2011	TSG#51	CP-110125	167	1	Correction to feature bit for sponsored data connectivity	10.1.0	10.2.0
03-2011	TSG#51	CP-110125	168	5	Correction to the Reporting Usage for Sponsored Data Connectivity	10.1.0	10.2.0
03-2011	TSG#51	CP-110121	171	1	Support of MPS over Rx	10.1.0	10.2.0
03-2011	TSG#51	CP-110125	172	2	Some editorial corrections for sponsored data connectivity	10.1.0	10.2.0
03-2011	TSG#51	CP-110125	173		Requesting Usage Monitoring Control for sponsored connectivity	10.1.0	10.2.0
03-2011	TSG#51	CP-110133	170	1	Sd reference point in PCC Architecture	10.2.0	11.0.0
06-2011	TSG#52	CP-110405	180		PS-to-CS HO indicator in Rx	11.0.0	11.1.0
06-2011	TSG#52	CP-110413	182	1	Sponsor-Identity AVP & Application-Service-Provider-Identity AVP format.	11.0.0	11.1.0
06-2011	TSG#52	CP-110409	185	2	Some corrections for IFOM	11.0.0	11.1.0
06-2011	TSG#52	CP-110411	187		Supported-Features bit for eMPS	11.0.0	11.1.0
06-2011	TSG#52	CP-110413	189	1	Limit the sponsored data connectivity in the roaming case	11.0.0	11.1.0
06-2011	TSG#52	CP-110425	190	1	Subscriber Spending Limits based on Sy reference point (R11 29.214)	11.0.0	11.1.0
06-2011	TSG#52	CP-110424	191	2	Request Type in Rx AAR	11.0.0	11.1.0
09-2011	TSG#53	CP-110608	195	2	UE Ipv6 prefix allocation clean-up	11.1.0	11.2.0
09-2011	TSG#53	CP-110608	199		Correction to the architecture figure(Rel-11)	11.1.0	11.2.0
12-2011	TSG#54	CP-110935	204		Alignment of PCC reference architecture with Stage 2 specification	11.2.0	11.3.0
12-2011	TSG#54	CP-110827	208		Correction in AVP names	11.2.0	11.3.0
12-2011	TSG#54	CP-110835	210		Flows AVP in AAA command	11.2.0	11.3.0
03-2012	TSG#55	CP-120077	212	1	Multiple instances of the Subscription Id (R11 29.214)	11.3.0	11.4.0
03-2012	TSG#55	CP-120066	214	1	QoS support for 3GP-DASH Services	11.3.0	11.4.0
03-2012	TSG#55	CP-120077	215	1	Asserted ICSI over Rx	11.3.0	11.4.0
06-2012	TSG#56	CP-120354	223	2	Support network location reporting for IMS functionality over Rx interface (R11 29214)	11.4.0	11.5.0
06-2012	TSG#56	CP-120345	224	2	Support for local address in TFT filters AVP (TS 29.214)	11.4.0	11.5.0
06-2012	TSG#56	CP-120358	228	1	Correction to the reference of TS 29.214 (R11)	11.4.0	11.5.0
09-2012	TSG#57	CP-120511	233	1	Correction of assigned internet protocol number	11.5.0	11.6.0
09-2012	TSG#57	CP-120646	238	1	Addition of PLMN ID for NETLOC in TS 29.214	11.5.0	11.6.0
09-2012	TSG#57	CP-120514	242	2	Applicable IP-CAN Type	11.5.0	11.6.0
09-2012	TSG#57	CP-120536	245	2	Reporting multiple events to AF	11.5.0	11.6.0
09-2012	TSG#57	CP-120655	246	1	Reference list correction to align with the corrected TS 29.212 title	11.5.0	11.6.0
12-2012	TSG#58	CP-120843	247	2	Clarification of Supported-Features AVP	11.6.0	11.7.0
12-2012	TSG#58	CP-120824	251	1	PCC procedures for Rx sessions with no service information	11.6.0	11.7.0
12-2012	TSG#58	CP-120843	253	1	Clean up of Editor's Notes	11.6.0	11.7.0
12-2012	TSG#58	CP-120916	255	4	Correction of Rx reference point for PCRF addressing	11.6.0	11.7.0

03-2013	TSG#59	CP-130059	267	1	Cancelling subscription to notification of signalling path status	11.7.0	11.8.0
06-2013	TSG#60	CP-130331	272	2	User Location Information Age	11.8.0	11.9.0
06-2013	TSG#60	CP-130316	278	3	Correction to the limited PCC deployment report	11.8.0	11.9.0
06-2013	TSG#60	CP-130331	281	3	Network provided location information related corrections	11.8.0	11.9.0
06-2013	TSG#60	CP-130341	270	1	Reference model update to include Gyn and Gzn	11.9.0	12.0.0
06-2013	TSG#60	CP-130348	280		Time-based usage monitoring control	11.9.0	12.0.0
09-2013	TSG#61	CP-130543	291	1	Correction to resource allocation handling	12.0.0	12.1.0
09-2013	TSG#61	CP-130553	293	1	One-time specific action for retrieval of network provided location info.	12.0.0	12.1.0
09-2013	TSG#61	CP-130549	295	2	SGW Restoration impacts in Rx reference point	12.0.0	12.1.0
12-2013	TSG#62	CP-130680	298	1	Correction to the applicability of Specific-Action AVP value in temporary network failure handling	12.1.0	12.2.0
12-2013	TSG#62	CP-130663	303	2	IP-CAN type notification correction	12.1.0	12.2.0
12-2013	TSG#62	CP-130685	308	2	Handling of Loss of Bearer Specific Action	12.1.0	12.2.0
12-2013	TSG#62	CP-130669	313	1	Correction on Sponsored-Data-Connectivity AVP	12.1.0	12.2.0
12-2013	TSG#62	CP-130678	315		Correction on user location information time description	12.1.0	12.2.0
03-2014	TSG#63	CP-140066	322	1	Correction of IMS emergency procedures for SIP Registration	12.2.0	12.3.0
03-2014	TSG#63	CP-140087	318	4	Access network information reporting in case of a TWAN access	12.2.0	12.3.0
06-2014	TSG#64	CP-140377	328	2	Enhancement in IMS Restoration procedure	12.3.0	12.4.0
06-2014	TSG#64	CP-140390	329	1	Geographical Identifier for TWAN access	12.3.0	12.4.0
06-2014	TSG#64	CP-140400	333	1	Reporting the RAN/NAS release cause on Rx interface	12.3.0	12.4.0
06-2014	TSG#64	CP-140401	341	1	Diameter Overload Control for Rx	12.3.0	12.4.0
06-2014	TSG#64	CP-140402	332	1	Correct the description of Sponsored-Connectivity-Data AVP	12.3.0	12.4.0
06-2014	TSG#64	CP-140402	327	2	Provisioning of AF Signalling Flow Information	12.3.0	12.4.0
06-2014	TSG#64	CP-140409	337	3	Access Network Information Reporting Capability	12.3.0	12.4.0
06-2014	TSG#64	CP-140409	339	1	Correction to the subscription of specific actions in AA-Request	12.3.0	12.4.0
06-2014	TSG#64	CP-140409	335	5	Corrections to access network information reporting during IP-CAN session termination	12.3.0	12.4.0
07-2014	-	-	-	-	One cross-reference updated in clause 4.1	12.4.0	12.4.1
09-2014	CT-65	CP-140530	0344	-	Correction to access network information reporting in IMS	12.4.0	12.5.0
09-2014	CT-65	CP-140530	0352	1	Access Network Information Reporting during the bearer deactivation	12.4.0	12.5.0
09-2014	CT-65	CP-140533	0345	3	Adding the missing case of bearer termination to the Specific-Action AVP	12.4.0	12.5.0
09-2014	CT-65	CP-140545	0350	1	Group Communication Service support for Unicast bearers	12.4.0	12.5.0
09-2014	CT-65	CP-140551	0349	3	Enhancement for P-CSCF Restoration	12.4.0	12.5.0
12-2014	CT-66	CP-140916	0355	2	Reporting RAN/NAS cause during bearer creation/modification failure scenarios	12.5.0	12.6.0
12-2014	CT-66	CP-140915	0356	2	Removal of Editor's Note	12.5.0	12.6.0
12-2014	CT-66	CP-140899	0360	2	Access network information reporting during the IP-CAN session termination	12.5.0	12.6.0
12-2014	CT-66	CP-140906	0362	1	Introduction of a reference to the Rest-Rx interface	12.5.0	12.6.0
12-2014	CT-66	CP-140916	0363	1	Inclusion of RAN/NAS cause values into SIP signalling by P-CSCF	12.5.0	12.6.0



---

# History

<b>Document history</b>		
V12.5.0	October 2014	Publication
V12.6.0	January 2015	Publication