

ETSI TS 129 292 V14.1.0 (2017-07)



**Universal Mobile Telecommunications System (UMTS);
LTE;
Interworking between the IP Multimedia (IM)
Core Network (CN) subsystem (IMS) and
MSC Server for IMS Centralized Services (ICS)
(3GPP TS 29.292 version 14.1.0 Release 14)**



ReferenceRTS/TSGC-0329292ve10

KeywordsLTE,UMTS

ETSI

650 Route des Lucioles
F-06921 Sophia Antipolis Cedex - FRANCE

Tel.: +33 4 92 94 42 00 Fax: +33 4 93 65 47 16

Siret N° 348 623 562 00017 - NAF 742 C
Association à but non lucratif enregistrée à la
Sous-Préfecture de Grasse (06) N° 7803/88

Important notice

The present document can be downloaded from:

<http://www.etsi.org/standards-search>

The present document may be made available in electronic versions and/or in print. The content of any electronic and/or print versions of the present document shall not be modified without the prior written authorization of ETSI. In case of any existing or perceived difference in contents between such versions and/or in print, the only prevailing document is the print of the Portable Document Format (PDF) version kept on a specific network drive within ETSI Secretariat.

Users of the present document should be aware that the document may be subject to revision or change of status.

Information on the current status of this and other ETSI documents is available at

<https://portal.etsi.org/TB/ETSI/DeliverableStatus.aspx>

If you find errors in the present document, please send your comment to one of the following services:

<https://portal.etsi.org/People/CommitteeSupportStaff.aspx>

Copyright Notification

No part may be reproduced or utilized in any form or by any means, electronic or mechanical, including photocopying and microfilm except as authorized by written permission of ETSI.

The content of the PDF version shall not be modified without the written authorization of ETSI.

The copyright and the foregoing restriction extend to reproduction in all media.

© ETSI 2017.

All rights reserved.

DECT™, PLUGTESTS™, UMTS™ and the ETSI logo are trademarks of ETSI registered for the benefit of its Members.

3GPP™ and LTE™ are trademarks of ETSI registered for the benefit of its Members and of the 3GPP Organizational Partners.

oneM2M logo is protected for the benefit of its Members.

GSM® and the GSM logo are trademarks registered and owned by the GSM Association.

Intellectual Property Rights

IPRs essential or potentially essential to the present document may have been declared to ETSI. The information pertaining to these essential IPRs, if any, is publicly available for **ETSI members and non-members**, and can be found in ETSI SR 000 314: *"Intellectual Property Rights (IPRs); Essential, or potentially Essential, IPRs notified to ETSI in respect of ETSI standards"*, which is available from the ETSI Secretariat. Latest updates are available on the ETSI Web server (<https://ipr.etsi.org>).

Pursuant to the ETSI IPR Policy, no investigation, including IPR searches, has been carried out by ETSI. No guarantee can be given as to the existence of other IPRs not referenced in ETSI SR 000 314 (or the updates on the ETSI Web server) which are, or may be, or may become, essential to the present document.

Foreword

This Technical Specification (TS) has been produced by ETSI 3rd Generation Partnership Project (3GPP).

The present document may refer to technical specifications or reports using their 3GPP identities, UMTS identities or GSM identities. These should be interpreted as being references to the corresponding ETSI deliverables.

The cross reference between GSM, UMTS, 3GPP and ETSI identities can be found under <http://webapp.etsi.org/key/queryform.asp>.

Modal verbs terminology

In the present document "**shall**", "**shall not**", "**should**", "**should not**", "**may**", "**need not**", "**will**", "**will not**", "**can**" and "**cannot**" are to be interpreted as described in clause 3.2 of the [ETSI Drafting Rules](#) (Verbal forms for the expression of provisions).

"**must**" and "**must not**" are **NOT** allowed in ETSI deliverables except when used in direct citation.

Contents

Intellectual Property Rights	2
Foreword.....	2
Modal verbs terminology.....	2
Foreword.....	7
1 Scope	8
2 References	8
3 Definitions and abbreviations.....	11
3.1 Definitions	11
3.2 Abbreviations	11
4 Interworking overview	12
4.1 Interworking reference model	12
4.2 Interworking reference points and interfaces	12
4.3 Interworking functional entities	13
4.3.1 MSC Server enhanced for ICS.....	13
4.3.2 Circuit Switched Media Gateway Function (CS-MGW)	13
4.4 Control plane interworking.....	13
4.5 User plane interworking	13
5 Control plane procedures and interworking	13
5.1 General	13
5.2 IMS registration procedures interworking.....	14
5.2.1 Initial registration.....	14
5.2.2 Reregistration.....	14
5.2.3 MSC Server initiated deregistration.....	14
5.3 Interworking of mobile originating call setup from NAS signalling to SIP	15
5.3.1 General.....	15
5.3.2 Receipt of a setup message	15
5.3.3 Sending of INVITE.....	15
5.3.3.1 General	15
5.3.3.2 Coding of INVITE	15
5.3.3.3 Coding of the SDP offer.....	17
5.3.3.4 Actions on the SDP answer.....	17
5.3.4 Sending of ALERTING	17
5.3.4a Sending of PROGRESS.....	17
5.3.4b Through-Connecting early media from IMS	18
5.3.5 Applying ringback tone	18
5.3.6 Receipt of 200 OK (INVITE)	18
5.3.7 Receipt of status-codes 3xx	18
5.3.8 Receipt of SIP status-codes 4xx, 5xx or 6xx.....	18
5.3.9 Receipt of DISCONNECT.....	23
5.3.10 Restoration procedures	23
5.3.11 Autonomous clearing initiated by the MSC Server	23
5.4 Interworking of mobile terminating call setup from SIP to NAS signalling	24
5.4.1 General.....	24
5.4.2 Receipt of initial INVITE	24
5.4.3 Sending of SETUP.....	25
5.4.4 Receipt of CALL CONFIRMED	27
5.4.5 Bearer establishment.....	28
5.4.5.1 Network side bearer establishment	28
5.4.5.2 Access bearer assignment	28
5.4.5.3 Transcoding.....	28
5.4.6 Receipt of ALERTING.....	28
5.4.7 Applying early media.....	28
5.4.8 Call rejection or abandonment	29

5.4.8.1	Receipt of RELEASE COMPLETE or DISCONNECT	29
5.4.8.2	Receipt of CANCEL or BYE	32
5.4.9	Receipt of CONNECT	32
5.4.10	Call failure procedures	32
5.4.11	Autonomous clearing initiated by the MSC Server	32
5.5	Interworking of established call clearing between NAS signalling and SIP	32
5.5.1	General	32
5.5.2	Clearing initiated by the mobile	33
5.5.3	Clearing initiated by the IM CN subsystem	33
5.5.4	Autonomous clearing initiated by the MSC Server	33
5.6	Supplementary Services invocation	33
5.6.1	Originating identification presentation/restriction (OIP/OIR)	33
5.6.2	Terminating identification presentation/restriction (TIP/TIR)	33
5.6.2.1	Terminating identification presentation (TIP)	33
5.6.2.2	Terminating identification restriction (TIR)	34
5.6.3	Communication Hold (HOLD)	34
5.6.3.1	HOLD initiated via NAS signalling	34
5.6.3.1.1	Hold	34
5.6.3.1.2	Resume	35
5.6.3.2	HOLD initiated via SIP signalling	35
5.6.3.2.1	Hold	35
5.6.3.2.2	Resume	35
5.6.4	Communication Waiting (CW)	35
5.6.4.1	Receipt of initial INVITE	35
5.6.4.2	Accepting the waiting call	36
5.6.4.3	Rejecting the waiting call	36
5.6.4.4	Communication release during waiting condition	37
5.6.4.5	CW condition timeout	37
5.6.4.6	Notification to originator	37
5.6.5	Communication Barring (CB)	37
5.6.6	Communication Diversion	38
5.6.6.1	General	38
5.6.6.2	CDIV invocation	38
5.6.6.2.1	Communication Forwarding Unconditional (CFU)	38
5.6.6.2.2	Communication Forwarding Busy (CFB)	38
5.6.6.2.3	Communication Forwarding No Reply (CFNR)	38
5.6.6.2.4	Communication Forwarding on Not Logged-In (CFNL)	38
5.6.6.2.5	Communication Deflection (CD)	38
5.6.6.2.6	Communication Forwarding on Subscriber Not Reachable (CFNRc)	39
5.6.6.3	Notifications relating to CDIV	39
5.6.6.3.1	Void	39
5.6.6.3.2	Notification to an originating user on CS access	39
5.6.6.3.3	Notification to a terminating user on CS access	40
5.6.7	Explicit Communication Transfer (ECT)	40
5.6.7.1	General	40
5.6.7.2	MSC Server as transferor on behalf of UE	41
5.6.7.3	MSC Server as transferee on behalf of UE	41
5.6.7.3.1	Actions without 3PCC	41
5.6.7.3.2	Actions with 3PCC	41
5.6.7.4	MSC Server as transfer target on behalf of UE	42
5.6.8	Conference (CONF)	42
5.6.8.1	General	42
5.6.8.2	MSC Server as conference creator	42
5.6.8.2.1	Conference creation	42
5.6.8.2.2	Putting the conference on hold	42
5.6.8.2.3	Resuming a held conference	43
5.6.8.2.4	Adding a party to the conference	43
5.6.8.2.5	Terminating the conference or disconnecting a party from the conference	43
5.6.8.2.6	Receipt of a SplitMPTY message	43
5.6.8.2.7	Remote party disconnects from the conference	44
5.6.8.3	MSC Server as conference participant	44
5.6.8.3.1	Receipt of invitation to conference	44

5.6.8.3.1.1	General.....	44
5.6.8.3.1.2	Receipt of REFER within a dialog.....	44
5.6.8.3.1.3	Receipt of REFER outside a dialog	44
5.6.8.3.1.4	Receipt of INVITE.....	44
5.6.8.3.2	Notification of conference invocation	45
5.6.9	Customized Alerting Tones (CAT).....	45
5.6.9.1	General	45
5.6.9.2	Early session model.....	45
5.6.9.2.1	Originating request	45
5.6.9.3	Forking model	45
5.6.9.4	Gateway model	45
5.6.10	Communication Completion Services (CCBS/CCNL/CCNR)	46
5.6.10.1	General	46
5.6.10.2	Communication Completion Terminated at Served User.....	46
5.6.10.3	Communication Completion Originated at Served User.....	46
5.6.10.3.1	Actions without 3PCC.....	46
5.6.10.3.2	Actions with 3PCC.....	46
5.7	Supplementary Service Configuration.....	46
5.7.1	General.....	46
5.7.2	Receipt of REGISTER message	46
5.7.3	Receipt of HTTP response.....	47
5.7.4	Service data interworking	47
5.7.4.1	Originating identification presentation/restriction (OIP/OIR)	47
5.7.4.1.1	Registration/erasure	47
5.7.4.1.2	Activation/deactivation.....	47
5.7.4.1.3	Interrogation	47
5.7.4.2	Terminating identification presentation/restriction (TIP/TIR)	48
5.7.4.2.1	Registration/erasure	48
5.7.4.2.2	Activation/deactivation.....	48
5.7.4.2.3	Interrogation	48
5.7.4.3	Communication Hold (HOLD)	48
5.7.4.4	Communication Waiting (CW).....	48
5.7.4.4.1	Registration/erasure	48
5.7.4.4.2	Activation/deactivation.....	48
5.7.4.4.3	Interrogation	49
5.7.4.5	Communication Barring (CB).....	49
5.7.4.5.1	Registration/erasure	49
5.7.4.5.2	Activation/deactivation.....	50
5.7.4.5.3	Interrogation	51
5.7.4.6	Communication Diversion (CDIV).....	51
5.7.4.6.1	Registration	51
5.7.4.6.1a	Erase	52
5.7.4.6.2	Activation/deactivation.....	52
5.7.4.6.3	Interrogation	53
5.7.4.7	Explicit Communication Transfer (ECT).....	53
5.7.4.8	Conference (CONF)	54
5.7.4.9	Communication Completion Services (CCBS/CCNL/CCNR)	54
5.7.4.9.1	Activation/deactivation.....	54
5.7.4.9.2	Interrogation	54
5.8	Handover / Relocation.....	54
5.8.1	Intra-MSR Handover/Relocation	54
5.8.2	Inter-MSR Handover/Relocation	55
6	User plane interworking	55
6.1	General	55
6.2	IuCS to Mb interworking	55
6.2.1	Interworking with transcoding.....	55
6.2.2	Transcoder-less interworking.....	55
6.3	TDM-based A-interface to Mb interworking	56
6.3.1	Interworking with transcoding.....	56
6.3.2	Transcoder-less interworking.....	56
6.4	IP-based A-interface to Mb interworking.....	57

6.4.1	Interworking with transcoding.....	57
6.4.2	Transcoder-less interworking.....	57
7	MSC Server – CS-MGW interaction.....	58
7.1	Mobile originated call	58
7.1.1	CS-MGW selection.....	58
7.1.2	IMS session side establishment	58
7.1.2.1	General	58
7.1.2.2	Additions to Reserve RTP Connection Point Procedure.....	58
7.1.2.3	Additions to Configure RTP Connection Point Procedure.....	59
7.1.3	Access bearer establishment	60
7.1.3.1	General	60
7.1.3.2	Iu interface on IP.....	61
7.1.3.3	A interface over IP	61
7.1.3.4	A interface over TDM.....	61
7.1.3.5	Iu over UTRAN and GERAN	61
7.1.4	Apply ringing tone	61
7.1.5	Through connection	61
7.1.5a	Handling of Forking.....	61
7.1.6	Failure handling in MSC server.....	61
7.2	Mobile terminated call.....	62
7.2.1	CS-MGW selection.....	62
7.2.2	Network side session establishment.....	62
7.2.2.1	General	62
7.2.2.2	Additions to Reserve and Configure RTP Connection Point	62
7.2.3	Access bearer assignment	65
7.2.3.1	General	65
7.2.3.2	Iu interface on IP.....	65
7.2.3.3	A interface over IP	65
7.2.3.4	A interface over TDM.....	65
7.2.3.5	Iu over UTRAN and GERAN	65
7.2.4	Apply ringing tone	65
7.2.5	Through connection	66
7.2.6	Announcement.....	66
7.2.7	Failure handling in the MSC server.....	66
7.2A	Notification Procedures	66
7.2A.1	General information.....	66
7.2A.2	ECN Failure Indication	66
7.2A.3	ICE Connectivity Check Result Notification.....	67
7.2A.4	ICE New Peer Reflexive Candidate Notification.....	67
7.3	Call clearing	67
7.3.1	Clearing received from the network.....	67
7.3.1.1	Access bearer clearing.....	67
7.3.1.2	Network side clearing	68
7.3.2	Clearing received from the user.....	68
7.3.2.1	Access bearer clearing.....	68
7.3.2.2	Network side clearing	68
7.3.3	Call clearing received from the CS-MGW	68
7.3.3.1	Bearer released received on the access side	68
7.3.3.2	Bearer released received on the network side	68
7.4	Call independent procedures	68
7.5	Explicit Congestion Notification.....	68
7.6	Multimedia Priority Service (MPS) Support.....	68
7.7	Interactive Connectivity Establishment.....	69
7.8	Codec Parameters Handling	69
7.8.1	Handling of common codec parameters.....	69
7.8.2	EVS speech codec.....	69
7.9	SDP Capability Negotiation (SDPCapNeg)	69
	Annex A (informative): Change history	70
	History	71

Foreword

This Technical Specification has been produced by the 3rd Generation Partnership Project (3GPP).

The contents of the present document are subject to continuing work within the TSG and may change following formal TSG approval. Should the TSG modify the contents of the present document, it will be re-released by the TSG with an identifying change of release date and an increase in version number as follows:

Version x.y.z

where:

- x the first digit:
 - 1 presented to TSG for information;
 - 2 presented to TSG for approval;
 - 3 or greater indicates TSG approved document under change control.
- y the second digit is incremented for all changes of substance, i.e. technical enhancements, corrections, updates, etc.
- z the third digit is incremented when editorial only changes have been incorporated in the document.

1 Scope

IMS Centralized Services (ICS) enable the delivery of IM CN subsystem based multimedia telephony and supplementary services as defined in 3GPP TS 24.173 [4] to users regardless of the attached access network type; e.g. CS domain access or IP-CAN.

The present document specifies the principles of interworking between the IM CN subsystem and CS domain in order to enable ICS for UEs using CS domain access.

The present document addresses the area of registration procedures interworking between the CS domain and IM CN subsystem.

The present document addresses the areas of control and user plane interworking between the IM CN subsystem and CS domain through an MSC Server enhanced for ICS and CS-MGW respectively. This includes the signalling procedures between the MSC Server and CS-MGW. For the specification of control plane interworking, present document defines the protocol interworking between the 3GPP profile of SIP as described in 3GPP TS 24.229 [2] and NAS signalling as described in 3GPP TS 24.008 [3] required for the support of IM CN subsystem based multimedia telephony and supplementary services.

The present document addresses the area of supplementary service configuration interworking between the CS domain and IM CN subsystem.

The present document is applicable to the MSC Server and CS-MGW.

2 References

The following documents contain provisions which, through reference in this text, constitute provisions of the present document.

- References are either specific (identified by date of publication, edition number, version number, etc.) or non-specific.
- For a specific reference, subsequent revisions do not apply.
- For a non-specific reference, the latest version applies. In the case of a reference to a 3GPP document (including a GSM document), a non-specific reference implicitly refers to the latest version of that document *in the same Release as the present document*.

- [1] 3GPP TR 21.905: "Vocabulary for 3GPP Specifications".
- [2] 3GPP TS 24.229: "IP Multimedia Call Control Protocol based on SIP and SDP".
- [3] 3GPP TS 24.008: "Mobile radio interface layer 3 specification; Core Network protocols; Stage 3".
- [4] 3GPP TS 24.173: "IMS multimedia telephony communication service and supplementary services; Stage 3".
- [5] 3GPP TS 23.292: "IP Multimedia Subsystem (IMS) Centralized Services; Stage 2".
- [6] 3GPP TS 23.002: "Network Architecture".
- [7] 3GPP TS 24.292: "IP Multimedia (IM) Core Network (CN) subsystem Centralized Services (ICS); Stage 3".
- [8] 3GPP TS 23.018: "Basic call handling; Technical realization".
- [9] 3GPP TS 22.003: "Circuit Teleservices supported by a Public Land Mobile Network (PLMN)".
- [10] 3GPP TS 23.003: "Numbering, addressing and identification".
- [11] 3GPP TS 29.232: "Media Gateway Controller (MGC) – Media Gateway (MGW) interface; Stage 3".

- [12] 3GPP TS 24.081: "Line Identification Supplementary Services – Stage 3".
- [13] Void
- [14] 3GPP TS 24.608: "Terminating Identification Presentation (TIP) and Terminating Identification Restriction (TIR) using IP Multimedia (IM) Core Network (CN) subsystem; Protocol specification".
- [15] 3GPP TS 25.414: "UTRAN Iu interface data transport and transport signalling".
- [16] 3GPP TS 25.415: "UTRAN Iu interface user plane protocols".
- [17] 3GPP TS 25.411: "UTRAN Iu interface layer 1".
- [18] 3GPP TS 29.414: "Core network Nb data transport and transport signalling".
- [19] 3GPP TS 48.004: "Base Station System – Mobile-services Switching Centre (BSS – MSC) interface; Layer 1 specification".
- [20] 3GPP TS 29.002: "Mobile Application Part (MAP) specification".
- [21] Void.
- [22] 3GPP TS 26.226: "CTM Cellular Text telephony Modem, General description".
- [23] 3GPP TS 24.604: "Communication Diversion (CDIV) using IP Multimedia (IM) Core Network (CN) subsystem; Protocol specification".
- [24] 3GPP TS 24.082: "Call Forwarding (CF) supplementary services; Stage 3".
- [25] 3GPP TS 24.072: "Call Deflection (CD) Supplementary Service; Stage 3".
- [26] 3GPP TS 24.083: "Call Waiting (CS) and Call Hold (HOLD) supplementary services; Stage 3".
- [27] 3GPP TS 24.610: "Communication HOLD (HOLD) using IP Multimedia (IM) Core Network (CN) subsystem; Protocol specification".
- [28] 3GPP TS 26.114: "IP Multimedia Subsystem (IMS); Multimedia Telephony; Media handling and interaction".
- [29] 3GPP TS 24.080: "Mobile radio interface layer 3 supplementary services specification; Formats and coding".
- [30] 3GPP TS 24.088: "Call Barring (CB) Supplementary Service – Stage 3".
- [31] 3GPP TS 24.611: "Anonymous Communication Rejection (ACR) and Communication Barring (CB); using IP Multimedia (IM) Core Network (CN) subsystem; Protocol specification".
- [32] 3GPP TS 24.091: "Explicit Call Transfer (ECT) supplementary service; Stage 3".
- [33] 3GPP TS 24.629: "Explicit Communication Transfer (ECT) using IP Multimedia (IM) Core Network (CN) subsystem; Protocol specification".
- [34] 3GPP TS 24.084: "Multi Party (MPTY) supplementary service – Stage 3".
- [35] 3GPP TS 24.605: "Conference (CONF) using IP Multimedia (IM) Core Network (CN) subsystem; Protocol specification".
- [36] 3GPP TS 24.147: "Conferencing using the IP Multimedia (IM) Core Network (CN) subsystem; Stage 3".
- [37] 3GPP TS 23.009: "Handover procedures".
- [38] 3GPP TS 48.103: "Base Station System – Media GateWay (BSS-MGW) interface; User Plane transport mechanism".
- [39] 3GPP TS 23.205: "Bearer Independent switched core network; Stage 2".

- [40] 3GPP TS 23.231: "SIP-I based circuit-switched core network; Stage 2".
- [41] 3GPP TS 24.010: "Mobile radio interface layer 3 Supplementary services specification; General aspects".
- [42] 3GPP TS 24.623: "Extensible Markup Language (XML) Configuration Access Protocol (XCAP) over the Ut interface for Manipulating Supplementary Services".
- [43] 3GPP TS 24.607: "Originating Identification Presentation (OIP) and Originating Identification Restriction (OIR) using IP Multimedia (IM) Core Network (CN) subsystem; Protocol specification".
- [44] 3GPP TS 24.615: "Communication Waiting (CW) using IP Multimedia (IM) Core Network (CN) subsystem; Protocol specification".
- [45] IETF RFC 3326: "The Reason Header Field for the Session Initiation Protocol (SIP)".
- [46] 3GPP TS 29.163: "Interworking between the IP Multimedia (IM) Core Network (CN) subsystem and Circuit Switched (CS) networks".
- [47] IETF RFC 5009: "Private Header (P-Header) Extension to the Session Initiation Protocol (SIP) for Authorization of Early Media".
- [48] IETF RFC 3168: "The Addition of Explicit Congestion Notification (ECN) to IP".
- [49] IETF RFC 6679: "Explicit Congestion Notification (ECN) for RTP over UDP".
- [50] IETF RFC 3959: "The Early Session Disposition Type for the Session Initiation Protocol (SIP)".
- [51] 3GPP TS 24.182: "IP Multimedia Subsystem (IMS) Customized Alerting Tones (CAT); Protocol specification".
- [52] 3GPP TS 24.642: "Completion of Communications to Busy Subscriber (CCBS) and Completion of Communications by No Reply (CCNR) using IP Multimedia (IM) Core Network (CN) subsystem".
- [53] 3GPP TS 24.093: "Completion of Calls to Busy Subscriber (CCBS); Stage 3".
- [54] 3GPP TS 22.153: "Multimedia Priority Service".
- [55] IETF RFC 4458: "Session Initiation Protocol (SIP) URIs for Applications such as Voicemail and Interactive Voice Response (IVR)".
- [56] 3GPP TS 32.260: "Telecommunication management; Charging management; IP Multimedia Subsystem (IMS) charging".
- [57] IETF RFC 3262: "Reliability of provisional responses in Session Initiation Protocol (SIP)".
- [58] IETF RFC 3312: "Integration of Resource Management and Session Initiation Protocol (SIP)".
- [59] IETF RFC 4032: "Update to the Session Initiation Protocol (SIP) Preconditions Framework".
- [60] IETF RFC 5245: "Interactive Connectivity Establishment (ICE): A Protocol for Network Address Translator (NAT) Traversal for Offer/Answer Protocols".
- [61] 3GPP TS 26.441: "Codec for Enhanced Voice Services (EVS); General Overview".
- [62] 3GPP TS 26.445: "Codec for Enhanced Voice Services (EVS); Detailed Algorithmic Description".
- [63] IETF RFC 5939: "Session Description Protocol (SDP) Capability Negotiation".
- [64] 3GPP TS 23.333: "Multimedia Resource Function Controller (MRFC) - Multimedia Resource Function Processor (MRFP) Mp interface: Procedures Descriptions".
- [65] IETF draft-ietf-sipcore-status-unwanted-06: "A SIP Response Code for Unwanted Calls".

Editor's note: The above document cannot be formally referenced until it is published as an RFC.

- [66] IETF draft-ietf-stir-rfc4474bis-16: "Authenticated Identity Management in the Session Initiation Protocol (SIP)".

Editor's note: The above document cannot be formally referenced until it is published as an RFC.

3 Definitions and abbreviations

3.1 Definitions

For the purposes of the present document, the terms and definitions given in 3GPP TR 21.905 [1] and the following apply. A term defined in the present document takes precedence over the definition of the same term, if any, in 3GPP TR 21.905 [1].

ICE lite: The lite implementation of the Interactive Connectivity Establishment (ICE) specified in IETF RFC 5245 [60].

Full ICE: The full implementation of the Interactive Connectivity Establishment (ICE) specified in IETF RFC 5245 [60].

NAS signalling: layer 3 signalling carried over CS domain access between the UE and MSC Server as defined in 3GPP TS 24.008 [3].

For the purposes of the present document, the following terms and definitions given in 3GPP TS 24.629 [33] apply:

transferee

transferor

transfer target

3.2 Abbreviations

For the purposes of the present document, the abbreviations given in 3GPP TR 21.905 [1] and the following apply. An abbreviation defined in the present document takes precedence over the definition of the same abbreviation, if any, in 3GPP TR 21.905 [1].

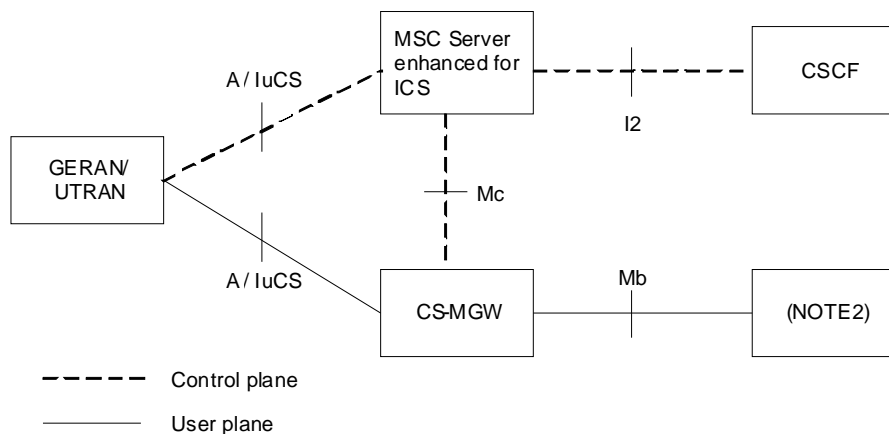
3PCC	3 rd Party Call Control
ACR	Anonymous Communication Rejection
BAIC	Barring of All Incoming Calls
BAOC	Barring of All Outgoing Calls
BIC-Roam	Barring of Incoming Calls when Roaming outside the home PLMN country
BOIC	Barring of Outgoing International Calls
BOIC-exHC	Barring of Outgoing International Calls except those directed to the Home PLMN Country
CB	Communication Barring
CCBS	Completion of Communication to Busy Subscriber
CCNL	Completion of Communications on Not Logged-in
CCNR	Completion of Communications on No Reply
CD	Communication Deflection
CDIV	Communication DIVersion
CFNL	Communication Forwarding on Not Logged-in
CFNR	Communication Forwarding No Reply
CFNRc	Communication Forwarding on subscriber Not Reachable
CFU	Communication Forwarding Unconditional
CONF	CONFerence
CS	Circuit Switched
CS-MGW	Circuit Switched Media Gateway
ECN	Explicit Congestion Notification
ECT	Explicit Communication Transfer
EVS	Enhanced Voice Services
GRUU	Globally Routable User Agent URI

HOLD	communication HOLD
ICB	Incoming Communication Barring
ICE	Interactive Connectivity Establishment
ICS	IM CN subsystem Centralized Services
IMS-MGW	IP Multimedia Subsystem-Media Gateway Function
IuFP	Iu Framing Protocol
MboIP	Mb over IP
MRFP	Media Resource Function Processor
MPS	Multimedia Priority Service
NAS	Non Access Stratum
OCB	Outgoing Communication Barring
OIP	Originating Identification Presentation
OIR	Originating Identification Restriction
RTCP	RTP Control Protocol
SDPCapNeg	SDP Capability Negotiation
TDM	Time Division Multiplex
TIP	Terminating Identification Presentation
TIR	Terminating Identification Restriction

4 Interworking overview

4.1 Interworking reference model

Figure 4.1.1 details the reference model required to support interworking between the 3GPP IM CN subsystem and CS domain access for IM basic voice calls and supplementary services.



- NOTE 1: The logical split of the signalling and bearer path between the CS access network and MSC Server enhanced for ICS is as shown; however, the signalling and bearer may be directly connected to the MGW.
- NOTE 2: The CS-MGW may be connected via the Mb reference point to various network entities, such as a UE (via a GTP tunnel to a GGSN), an MRFP, or an IMS-MGW, or a remote CS-MGW.

Figure 4.1.1: MSC Server – IM CN subsystem interworking reference model

4.2 Interworking reference points and interfaces

The reference points and network interfaces shown in figure 4.1.1 are as described:

A reference point: The A reference point is defined in 3GPP TS 23.002 [6].

IuCS reference point: The IuCS reference point is defined in 3GPP TS 23.002 [6].

I2 reference point: The call control protocol specified in this document for use on the I2 reference point (i.e. between MSC Server enhanced for ICS and CSCF) is based on Mw reference point as defined in 3GPP TS 23.002 [6] and the 3GPP profile of SIP as defined in accordance with 3GPP TS 24.229 [2].

Mc reference point: The Mc reference point is defined in 3GPP TS 23.002 [6].

Mb reference point: The Mb reference point is defined 3GPP TS 23.002 [6].

4.3 Interworking functional entities

4.3.1 MSC Server enhanced for ICS

This is the component which provides the interworking between CS domain access and IM CN subsystem control planes, and it shall support the functions as defined in accordance with 3GPP TS 23.002 [6].

For brevity, where the term "MSC Server" is used in the rest of the specification, this shall be understood as "MSC Server enhanced for ICS".

4.3.2 Circuit Switched Media Gateway Function (CS-MGW)

This is the component which provides the interworking between CS domain access and IM CN subsystem user planes, and it shall support the functions as defined in accordance with 3GPP TS 23.002 [6].

4.4 Control plane interworking

Within the IM CN subsystem, the 3GPP profile of SIP defined in 3GPP TS 24.229 [2] is used for session control.

Over CS domain access, NAS signalling is used for call origination, call termination and supplementary services.

Therefore, in order to provide the required interworking to enable ICS for UE using CS domain access, the control plane protocols shall be interworked within the MSC Server.

4.5 User plane interworking

Within the IM CN subsystem, framing protocols such as RTP are used to transport media packets to and from IM CN subsystem entities such as the UE, MRFP or IMS-MGW.

CS domain access uses circuit switched bearer channels like TDM circuits (e.g. 64kbits PCM), ATM/AAL2 circuits or IP bearers using the IuFP framing protocol or RTP to carry voice frames.

Therefore, in order to provide the required interworking to enable ICS for a UE using CS domain access, the user plane protocols shall be interworked within the CS-MGW, under the control of the MSC Server.

5 Control plane procedures and interworking

5.1 General

The following subclauses define the procedures and signalling interworking performed by the MSC Server to enable ICS for UEs attached to the CS domain. The interworking between NAS signalling and the Session Initiation Protocol (SIP) with its associated Session Description Protocol (SDP) is specified.

The capabilities of SIP and SDP that are interworked with NAS signalling are defined in 3GPP TS 24.229 [2].

Table 5.1.1 lists the service interworking within the scope of the present document.

Table 5.1.1: Interworking between NAS signalling and SIP/SDP

Telephony or Supplementary Service
TS11 non-emergency speech calls
Originating Identification Presentation (OIP)
Originating Identification Restriction (OIR)
Terminating Identification presentation (TIP)
Terminating Identification restriction (TIR)
Communication Hold and Resume
Communication Waiting
Communication Barring
Communication Diversion
Explicit Communication Transfer
Conferencing
Communication Completion to Busy Subscriber (CCBS)
Communication Completion on No Reply (CCNR)
Communication Completion on Not Logged-in (CCNL)

5.2 IMS registration procedures interworking

5.2.1 Initial registration

Upon successful completion of the location updating procedure as specified in 3GPP TS 24.008 [3], an MSC Server supporting the ICS Indicator parameter as specified in 3GPP TS 29.002 [20] shall determine whether to perform initial IMS registration on behalf of the UE.

The relevant location update case, when an initial registration is needed to the IM CN subsystem is a location update to new MSC/VLR service area (the MSC/VLR was not the previous serving network element).

In accordance with 3GPP TS 23.292 [5], clause 7.2.1.1, the MSC Server may perform an initial IMS registration. The optional flag referred to in clause 7.2.1.1 of 3GPP TS 23.292 [5] is implemented as the ICS Indicator parameter in 3GPP TS 29.002 [20].

When performing initial IMS registration, the MSC Server shall send a REGISTER request on behalf of the UE as described in 3GPP TS 24.292 [7].

5.2.2 Reregistration

The MSC Server shall initiate reregistration for a previously registered Public User Identity as described in 3GPP TS 24.292 [7] if that subscriber is still registered in the MSC Server via CS domain access.

5.2.3 MSC Server initiated deregistration

The MSC Server shall send a REGISTER request for deregistration on behalf of the UE as described in 3GPP TS 24.292 [7] upon receipt of any indication that the subscriber is no longer registered in this MSC Server.

Prior to sending a REGISTER request for deregistration, the MSC Server shall release all IMS dialogs related to the Public User Identity that is going to be deregistered or to one of the implicitly registered Public User Identities.

5.3 Interworking of mobile originating call setup from NAS signalling to SIP

5.3.1 General

The mobile originating call shall be established in accordance with 3GPP TS 23.018 [8] and 3GPP TS 24.008 [3]. The IM CN subsystem originating session shall be established in accordance with 3GPP TS 24.292 [7] and 3GPP TS 24.229 [2]. The following subclauses describe the additional requirements for interworking between NAS signalling and SIP.

The following subclauses also assume the originating call is received from a subscriber with an active IM CN subsystem registration via the MSC Server performing the interworking.

5.3.2 Receipt of a setup message

Upon receipt of a setup message (a SETUP message or an EMERGENCY SETUP message), the MSC Server shall determine whether the originating call shall be directed to the IM CN subsystem.

The originating call shall be directed to the IM CN subsystem if all of the following conditions are met:

- the setup message is a SETUP message and is determined by the MSC Server not to be an emergency call, and
- the bearer capability 1 information element indicates teleservice 11 as described in 3GPP TS 22.003 [9], and
- the CTM text telephony indication in the bearer capability 1 information element is set to "CTM text telephony is not supported", and
- the bearer capability 2 information element is not present.

Otherwise the originating call shall be handled by the MSC Server without interworking to the IM CN subsystem.

5.3.3 Sending of INVITE

5.3.3.1 General

Upon determining that an incoming SETUP message shall be interworked to the IM CN subsystem, the MSC Server shall generate an INVITE request as further detailed in the subclauses below.

5.3.3.2 Coding of INVITE

The INVITE request shall be coded as described in 3GPP TS 24.292 [7] with the following SETUP message interworking applied:

- The called party BCD number information element in the SETUP message is used to derive the Request URI of the INVITE request as follows:
 1. if the type of number field is set to "international number", then the number digit fields, prefixed with a "+", shall be used to build a tel URI or a SIP URI with "user=phone"; or
 2. if the type of number field is set to "national number", according to local policy:
 - a) if the called party BCD number is considered as if the mobile station sent a "geo-local number" then the MSC Server shall, as an operator option, either:
 - convert the number to international format by prefixing the number digits with "+CC" (where CC is the country code of the network in which the MSC Server is located) and use this to build a tel URI or a SIP URI with "user=phone"; or
 - use the number digit fields to build a tel URI or a SIP URI with "user=phone". The phone-context parameter shall include the home network domain name defined for IMS centralized services in

3GPP TS 23.003 [10]. The phone-context which includes the home network domain name of the calling party is prefixed by the "geo-local" string according to 3GPP TS 24.229 [2].

- b) if the called party BCD number is considered as if the mobile station sent a "home-local number", then the MSC Server shall, as an operator option, either:
- convert the number to international format by prefixing the number digits with "+CC" (where CC is the country code of the home network of the calling party) and use this to build a tel URI or a SIP URI with "user=phone"; or
 - use the number digit fields to build a tel URI or a SIP URI with "user=phone". The phone-context parameter shall include the home network domain name defined for IMS centralized services in 3GPP TS 23.003 [10].

NOTE 1: When the calling party is not in roaming situation, the current physical location of the user is identical to the home network of the user; by default, the called party BCD number information element received in the SETUP message should be considered as a "geo-local number".

3. if the type of number field is set to "unknown", then the MSC Server shall build a SIP URI with "user=phone" or a tel URI, including the received digits as an unprocessed dial string to the IM CN subsystem, using one of the formats for UEs without dial string processing capabilities, as defined in 3GPP TS 24.229 [2], clause 5.1.2A.1.3;

NOTE 2: This sets the requirement that the dialling plan is designed so it enables the IM CN subsystem to differentiate local numbers from other numbers; refer to clause 5.1.2A.1.3.

- if the CLIR invocation information element is present in the SETUP message, the From header shall be set to an Anonymous User Identity as defined in 3GPP TS 23.003 [10] and the MSC Server shall include a Privacy header with priv-value set to "id";
- if the CLIR suppression information element is present in the SETUP message, the MSC Server shall include a Privacy header with priv-value set to "none";
- if the CLIR invocation information element and CLIR suppression information element are not present in the SETUP message, the MSC Server shall not include a Privacy header;
- the P-Asserted-Identity header shall be set to the default public identity received during registration procedures;
- the Contact header shall be set to:
 - the public GRUU received at registration as specified in 3GPP TS 24.229 [2]; or
 - if the CLIR suppression information element is present in the SETUP message to the temporary GRUU received at registration as specified in 3GPP TS 24.229 [2].

When a SIP URI is used for the Request URI, the host portion of the SIP URI shall be set to the home network domain name defined for IMS centralized services in 3GPP TS 23.003 [10].

If the MSC server supports the P-Early-Media header as a network option, then it shall include the header in each outgoing SIP INVITE request.

The MSC Server shall include a P-Charging-Vector header field in the initial INVITE request with an "icid-value" header field parameter as specified in 3GPP TS 32.260 [56].

Unless local configuration indicates that the network is serving users not supporting SIP preconditions, the MSC server shall include in a Supported header field of the initial INVITE request:

- 1) a "100rel" option tag as defined in IETF RFC 3262 [57] to indicate the support for reliable provisional responses; and
- 2) a "precondition" option tag as defined in IETF RFC 3312 [58] to indicate the support for the SIP preconditions mechanism.

5.3.3.3 Coding of the SDP offer

The MSC Server shall determine the speech codecs supported by the UE as specified in 3GPP TS 24.008 [3] and use this information when constructing a codec list for the SDP offer. The MSC Server may also add speech codecs. The added speech codecs are based on configuration data in the MSC Server.

If the MSC Server indicated the support for the SIP preconditions mechanism as described in clause 5.3.3.2 and

- the access bearer establishment has been initiated prior to the sending of the INVITE request (e.g. no speech codec or one speech codec is indicated from the originating UE) the MSC Server shall indicate that preconditions have been met in the initial SDP offer using the segmented status type, as defined in IETF RFC 3312 [58] and IETF RFC 4032 [59], as well as the strength-tag value "mandatory" for the local segment and the strength-tag value "optional" for the remote segment. The MSC Server may indicate in the bearer establishment procedure to the UE the speech codec the UE shall use; or
- the access side bearer establishment has not been performed prior to sending the INVITE request,
 - a) the MSC Server shall indicate that preconditions have not been met in the SDP offer using the segmented status type, as defined in IETF RFC 3312 [58] and IETF RFC 4032 [59], as well as the strength-tag value "mandatory" for the local segment and the strength-tag value "optional" for the remote segment; and.
 - b) once access side bearer establishment has been performed, the MSC Server shall indicate that preconditions have been met in a new SDP offer in a subsequent UPDATE or PRACK request.

5.3.3.4 Actions on the SDP answer

At the receipt of the SDP answer the MSC Server shall analyse the received speech codecs:

- If the received speech codecs in the SDP answer do not include any of the speech codecs provided by the UE in the SETUP message or the SDP answer only include the default speech codec the MSC Server shall instruct the CS-MGW to perform transcoding and indicate in the bearer establishment procedure to the UE the speech codec the UE shall use. Which of the codecs used is based on local policy;
- if only one speech codec is received in the SDP answer, the MSC Server shall select that speech codec and may indicate the speech codec in the bearer establishment procedure to the UE;
- if more than one speech codec is received in the SDP answer the MSC Server shall select one codec based on local configuration and may indicate the speech codec in the bearer establishment procedure to the UE; and send a new SDP offer which shall indicate the speech codec that the MSC Server has selected.

For UTRAN and GERAN Iu-mode, the NAS Synchronisation Indicator information element shall be used to inform the UE of the selected codec as specified in 3GPP TS 24.008 [3].

5.3.4 Sending of ALERTING

The MSC Server shall send an ALERTING message towards the UE upon receiving the first 180 Ringing response.

5.3.4a Sending of PROGRESS

Once all the following conditions have been met:

- 1) the MSC server supports the P-Early-Media header field, and received the first SIP 181 (Call is being forwarded) response, or 182 (Queued) response, or 183 (Session Progress) response, or a SIP UPDATE request that includes a P-Early-Media header field authorizing backward early media;
- 2) SDP preconditions are not used, or applicable SDP preconditions have been met;
- 3) the MSC server did not receive a SIP 180 (Ringing) response; and
- 4) a PROGRESS message has not been sent before;

then the MSC server shall send a PROGRESS message.

5.3.4b Through-Connecting early media from IMS

If a SIP 18x response or a SIP UPDATE request is received by the MSC server, once all the following conditions have been met:

- 1) the MSC server supports the P-Early-Media header field, and the response or request includes a P-Early-Media header field authorizing backward early media; and
- 2) SDP preconditions are not used, or applicable SDP preconditions have been met;

then the MSC server shall instruct the CS-MGW to through-connect as described in clause 7.1.5 for early media from the IMS side unless the CS-MGW has already been through-connected.

NOTE: An MSC server supporting the early session model CAT supplementary service applies additional procedure described in clause 5.6.9.

5.3.5 Applying ringback tone

The MSC Server shall instruct the CS-MGW to apply ringback tone towards the UE in the following conditions:

- a 180 Ringing response is received and either:
 - the MSC Server does not support the P-Early-Media header as a network option; or
 - the MSC Server supports the P-Early-Media header as a network option and according to IETF RFC 5009 [47] backward early media is not authorized (the most recently received P-Early-Media header does not authorize backward early media or the P-Early-Media header has not yet been received).

5.3.6 Receipt of 200 OK (INVITE)

Upon receipt of the first 200 OK (INVITE) response, the MSC Server shall:

- instruct the CS-MGW to stop ringback if ringback was previously applied; and
- instruct the CS-MGW to through-connect the bearer in both directions; and
- send a CONNECT message towards the UE as described in 3GPP TS 24.008 [3].

Interworking applied for the TIP service is described in clause 5.6.2.1.

The MSC Server shall not progress any further early dialogs to established dialogs. Therefore, upon receipt of a subsequent 200 OK final response to the initial INVITE request (e.g. due to forking), the MSC Server shall:

- acknowledge the response with an ACK request; and
- send a BYE request to this dialog in order to terminate it.

5.3.7 Receipt of status-codes 3xx

Upon receipt of a 3xx response to the initial INVITE, the default behaviour of the MSC Server shall be to release the call with a cause code value of 127 (Interworking unspecified).

NOTE: The MSC Server may also decide to redirect the call toward the URI in the Contact header field of the 3xx response, as an operator option. Such handling is outside the scope of the present document.

5.3.8 Receipt of SIP status-codes 4xx, 5xx or 6xx

If the MSC Server receives a 4xx, 5xx or 6xx SIP response to the initial SIP INVITE request and the MSC Server has not sent a SIP CANCEL request, the MSC Server shall initiate call clearing procedures by sending a CC DISCONNECT message towards the UE as described in 3GPP TS 24.008 [3] with the following interworking applied:

- 1) If one or more Reason header fields are included in the 4xx, 5xx or 6xx SIP response, then the cause value of each Reason header field shall be mapped to a cause information element in the CC DISCONNECT message as follows:
- a) if the Reason header field contains a Q.850 cause value, the numeric "cause" parameter value shall be mapped to the cause value octet of the cause information element in the CC DISCONNECT message according to table 5.3.8.2;
 - b) if the Reason header field contains a SIP status-code, the coding of the cause information element in the CC DISCONNECT message shall be as follows:
 - set the coding standard to "Standard defined for the GSM PLMNs";
 - set the location to "network beyond interworking point"; and
 - derive the cause value from the SIP status-code received in the Reason header field according to table 5.3.8.1. The 4xx, 5xx, and 6xx SIP responses that are not covered in this table shall be interworked to a cause value of 127 (Interworking, unspecified); and
 - c) if no Reason header field is included in the 4xx, 5xx or 6xx SIP response, the coding of the cause information element in the CC DISCONNECT message is derived from the SIP status-code of the SIP response according to table 5.3.8.1, where the following information elements shall be set to:
 - coding standard to "Standard defined for the GSM PLMNs"; and
 - location to "network beyond interworking point".

Table 5.3.8.1: Mapping the 4xx/5xx/6xx status-code to the cause information element

SIP status-code	Cause value
400 Bad Request	127 (Interworking, unspecified)
401 Unauthorized	127 (Interworking, unspecified)
402 Payment Required	127 (Interworking, unspecified)
403 Forbidden	79 (Service or option not implemented, unspecified)
404 Not Found	1 (Unassigned (unallocated) number)
405 Method Not Allowed	127 (Interworking, unspecified)
406 Not Acceptable	127 (Interworking, unspecified)
407 Proxy authentication required	127 (Interworking, unspecified)
408 Request Timeout	102 (Recovery on timer expiry)
410 Gone	22 (Number changed)
413 Request Entity too long	127 (Interworking, unspecified)
414 Request-URI too long	127 (Interworking, unspecified)
415 Unsupported Media type	127 (Interworking, unspecified)
416 Unsupported URI scheme	127 (Interworking, unspecified)
417 Unknown Resource-Priority	79 (Service or option not implemented, unspecified)
420 Bad Extension	127 (Interworking, unspecified)
421 Extension required	127 (Interworking, unspecified)
422 Session Interval Too Small	31 (Normal, unspecified)
423 Interval Too Brief	127 (Interworking, unspecified)
424 Bad Location Information	127 (Interworking, unspecified)

SIP status-code	Cause value
428 Use Identity Header (NOTE 2)	127 (Interworking, unspecified)
433 Anonymity Disallowed	24 (Call rejected due to feature at the destination)
436 Bad Identity Info (NOTE 2)	127 (Interworking, unspecified)
437 Unsupported Credential (NOTE 2)	127 (Interworking, unspecified)
438 Invalid Identity Header (NOTE 2)	127 (Interworking, unspecified)
436 Bad Identity Info (NOTE 2)	127 (Interworking, unspecified)
480 Temporarily Unavailable	41 (Temporary Failure)
481 Call/Transaction does not exist	127 (Interworking, unspecified)
482 Loop detected	127 (Interworking, unspecified)
483 Too many hops	127 (Interworking, unspecified)
484 Address Incomplete	28 (Invalid number format (incomplete number))
485 Ambiguous	127 (Interworking, unspecified)
486 Busy Here	17 (User busy)
487 Request terminated	127 (Interworking, unspecified)
488 Not acceptable here	127 (Interworking, unspecified)
493 Undecipherable	127 (Interworking, unspecified)
500 Server Internal error	127 (Interworking, unspecified)
501 Not implemented	79 (Service or option not implemented, unspecified)
502 Bad Gateway	127 (Interworking, unspecified)
503 Service Unavailable	127 (Interworking, unspecified)
504 Server timeout	102 (Recovery on timer expiry)
505 Version not supported	127 (Interworking, unspecified)
513 Message too large	127 (Interworking, unspecified)
580 Precondition failure	127 (Interworking, unspecified)
600 Busy Everywhere	17 (User busy)
603 Decline	21 (Call rejected)
604 Does not exist anywhere	1 (Unassigned (unallocated) number)
606 Not acceptable	127 (Interworking, unspecified)
607 Unwanted (NOTE)	21 (Call rejected)
NOTE 1: The "607 Unwanted" SIP status code is defined in IETF draft-ietf-sipcore-status-unwanted [65].	
NOTE 2: The 428, 436, 437 and 438 SIP response codes are defined in IETF draft-ietf-stir-rtc4474bis [66].	

If the MSC Server supports restoration procedures, the MSC Server shall in addition to the procedures in this clause perform the procedures in clause 5.3.10.

Table 5.3.8.2: Mapping of "cause" parameter for protocol "Q.850" to the cause information element

Reason header field with protocol value "Q.850" "cause" parameter value	Cause information element Cause value
1 (Unallocated (unassigned) number)	1 (Unallocated (unassigned) number)
3 (No route to destination)	3 (No route to destination)
8 (Pre-emption)	25 (Pre-emption)
16 (Normal call clearing)	16 (Normal call clearing)
17 (User busy)	17 (User busy)
18 (No user responding)	18 (No user responding)
19 (No answer from user (user alerted))	19 (User alerting, no answer)
21 (Call rejected)	21 (Call rejected)
22 (Number changed)	22 (Number changed)
24 (Call rejected due to feature at the destination)	24 (Call rejected due to feature at the destination)
26 (Non-selected user clearing)	26 (Non selected user clearing)
27 (Destination out of order)	27 (Destination out of order)
28 (Invalid number format (address incomplete))	28 (Invalid number format (incomplete number))
29 (Facility rejected)	29 (Facility rejected)
31 (Normal, unspecified) (class default) (NOTE 1, NOTE 2)	31 (Normal, unspecified)
34 (No circuit/channel available)	34 (No circuit/channel available)
38 (Network out of order)	38 (Network out of order)
41 (Temporary failure)	41 (Temporary failure)
42 (Switching equipment congestion)	42 (Switching equipment congestion)
43 (Access information discarded)	43 (Access information discarded)
44 (Requested circuit/channel not available)	44 (requested circuit/channel not available)
47 (Resource unavailable, unspecified) (class default) (NOTE 3)	47 (Resource unavailable, unspecified)
50 (Requested facility not subscribed)	50 (Requested facility not subscribed)
55 (Incoming calls barred within CUG)	55 (Incoming calls barred within the CUG)
57 (Bearer capability not authorised)	57 (Bearer capability not authorised)
58 (Bearer capability not presently available)	58 (Bearer capability not presently available)
63 (Service option not available, unspecified) (class default) (NOTE 4)	63 (Service option not available, unspecified)
65 (Bearer capability not implemented)	65 (Bearer capability not implemented)
69 (Requested facility not implemented)	69 (Requested facility not implemented)
70 (Only restricted digital information capability is available)	70 (Only restricted digital information capability is available)
79 (Service or option not implemented, unspecified) (class default) (NOTE 5)	79 (Service or option not implemented, unspecified)
87 (User not member of CUG)	87 (User not member of CUG)
88 (Incompatible destination)	88 (Incompatible destination)
91 (Invalid transit network selection)	91 (Invalid transit network selection)
95 (Invalid message, unspecified) (class default) (NOTE 6)	95 (Semantically incorrect message)
97 (Message type non-existent or not implemented)	97 (Message type non-existent or not implemented)
98 (Message not compatible with call state or message type non-existent or not implemented)	98 (Message type not compatible with protocol state)
99 (Information element/parameter non-existent or not implemented)	99 (Information element non-existent or not implemented)
102 (Recovery on timer expiry)	102 (Recovery on timer expiry)
111 (Protocol error, unspecified) (class default) (NOTE 7)	111 (Protocol error, unspecified)
127 (Interworking, unspecified) (class default) (NOTE 8)	127 (Interworking, unspecified)
<p>NOTE 1: Class 0 and class 1 have the same default value.</p> <p>NOTE 2: All other values in the range 0 to 31 not appearing in table shall be treated as cause 31.</p> <p>NOTE 3: All other values in the range 32 to 47 not appearing in table shall be treated as cause 47.</p> <p>NOTE 4: All other values in the range 48 to 63 not appearing in table shall be treated as cause 63.</p> <p>NOTE 5: All other values in the range 64 to 79 not appearing in table shall be treated as cause 79.</p> <p>NOTE 6: All other values in the range 80 to 95 not appearing in table shall be treated as cause 95.</p> <p>NOTE 7: All other values in the range 96 to 111 not appearing in table shall be treated as cause 111.</p> <p>NOTE 8: All other values in the range 112 to 127 not appearing in table shall be treated as cause 127.</p> <p>NOTE 9: There are values which are specified in ITU-T Recommendation Q.850 [38] but not included in the present table. The reasons for not including them are:</p> <ul style="list-style-type: none"> - the corresponding value is not specified in TS 24.008 [3]; or - the value is specified in TS 24.008 [3] but not applicable to be sent to the user (for example value 6 "Channel unacceptable"). 	

5.3.9 Receipt of DISCONNECT

If the MSC Server receives a DISCONNECT message from the UE prior to receiving a final response to the initial INVITE, the MSC Server shall send a CANCEL request. If a 200 OK response to the initial INVITE is received after sending the CANCEL request, the MSC Server shall send a BYE request to the IM CN subsystem to terminate the session.

If the DISCONNECT message contains one or more cause information elements, the first cause information element shall be mapped to a Reason header field in the CANCEL or BYE request as follows:

- set the protocol field to "Q.850"; and
- set the numeric "cause" parameter value to the cause value field of the cause information element according to table 5.4.8.1.2.

NOTE: The inclusion of reason-text in the Reason header is implementation specific.

5.3.10 Restoration procedures

If the MSC Server receives a SIP 504 (Server Time-out) response and all the following conditions are fulfilled:

- 1) there is no re-registration ongoing;
- 2) a P-Asserted-Identity header field set to a value equal to an URI:
 - from the Service-Route header field value received during registration; or
 - from the Path header field value received during registration; and
- 3) the SIP response contains a Content-Type header field set to "application/3gpp-ims+xml" as defined in 3GPP TS 24.229 [2] clause 7.6; and
- 4) the SIP response includes an IM CN subsystem XML body as specified in 3GPP TS 24.229 [2] clause 7.6 with the <ims-3gpp> element, including a version attribute, with the <alternative-service> child element:
 - with the <type> child element set to "restoration" (see 3GPP TS 24.229 [2] table 7.6.2); and
 - with the <action> child element set to "initial-registration" (see 3GPP TS 24.229 [2] table 7.6.3);

then the MSC Server shall initiate restoration procedures by performing an initial registration as specified in clause 5.2.1.

If the MSC Server is unsuccessful to send an initial SIP INVITE request to the next hop determined by one of the following:

- there is no response to the SIP INVITE request by the MSC Server; or
- by unspecified means available to the MSC Server;

and if there is no re-registration ongoing then the MSC Server may initiate restoration procedures by performing an initial registration as specified in clause 5.2.1.

NOTE: If there is an ongoing re-registration and the conditions in this clause for initiating an initial registration were fulfilled the MSC Server regards this user as not registered and waits until a successful registration before sending any more INVITE request for this user. Meanwhile the MSC Server can fall back to the procedures for non ICS UE attached to a legacy MSC for call establishment as described in 3GPP TS 23.292 [5].

5.3.11 Autonomous clearing initiated by the MSC Server

If the MSC Server determines due to internal procedures that the call shall be released, call release shall be in accordance with 3GPP TS 24.008 [3] clause 5.4.4 with the additional interworking defined here.

The MSC Server shall send a SIP-CANCEL request as specified in 3GPP TS 24.229 [2] to the IM CN subsystem. The MSC Server shall include a Reason header field in the request populated as follows:

- the protocol field set to "Q.850"; and
- a "cause" header field parameter aligned with the value used in the cause information element of the call clearing message towards the UE.

NOTE: The inclusion of reason-text in the Reason header is implementation specific.

5.4 Interworking of mobile terminating call setup from SIP to NAS signalling

5.4.1 General

The IM CN subsystem terminating session shall be established in accordance with 3GPP TS 24.292 [7] and 3GPP TS 24.229 [2]. The mobile terminating call shall be established at the visited MSC Server in accordance with 3GPP TS 23.018 [8] and 3GPP TS 24.008 [3]. The following subclauses describe the additional requirements for interworking between SIP and NAS signalling.

5.4.2 Receipt of initial INVITE

Upon receipt of an initial INVITE request, the MSC Server shall validate the INVITE request and SDP offer, if present, as described in 3GPP TS 24.292 [7].

After validating the INVITE request, the terminating party shall be validated as follows:

- the MSC Server shall identify the terminating subscriber using the P-Called-Party-ID header or Request-URI from the INVITE request and use this to retrieve the VLR data;
- if the VLR data cannot be retrieved, the MSC Server shall send a 500 Server Internal Error response to the INVITE request;
- if the VLR data can be retrieved, the following check shall be performed:
 - if the IMSI is detached, the MSC Server shall send a 500 Server Internal Error response to the INVITE request.

Upon successful validation of the terminating party, the MSC Server shall initiate the establishment of a MM connection as specified in 3GPP TS 24.008 [3]. If a MM connection cannot be established (e.g. no PAGE RESPONSE message is received), the MSC Server shall send a 408 Request Timeout response to the INVITE request.

If the initial INVITE request includes a MIME body (part) according to clause 4.4.1 of 3GPP TS 24.615 [44] with the "communication-waiting-indication" element contained in the "ims-cw" root element according to 3GPP TS 24.615 [44], and if the MSC Server determines that the incoming call can be presented to the subscriber as described in 3GPP TS 24.083 [26], then clause 5.6.4.1 applies.

NOTE: Clause 5.6.8.3.1.4 contains additional applicable procedures executed upon receipt of an initial INVITE request if the MSC Server is as conference participant.

The MSC Server shall store the "icid-value" header field parameter received in the P-Charging-Vector header field.

If the received INVITE request:

- a) does not contain a "precondition" option-tag in a Supported header field or in a Require header field, the MSC Server shall not make use of the SIP precondition mechanism; or
- b) contains the "precondition" option-tag in the Supported header field or in the Require header field and local configuration indicates support of the SIP precondition mechanism, the MSC Server shall make use of the SIP precondition mechanism and shall include the Require header field with the "precondition" option-tag in any corresponding response containing the SDP body, which the MSC Server sends towards to the originating end point. When the MSC Server sends a 183 (Session Progress) response with an SDP answer, the MSC Server

shall only request confirmation for the result of the resource reservation (as defined in as defined in IETF RFC 3312 [59]) at the originating end point if an SDP offer has been received indicating that there are any remaining unfulfilled preconditions at the originating end point.

If the MSC Server rejects the received INVITE request, then depending on operator policy, the MSC Server may insert in a SIP failure response a Response-Source header field with an "fe" header field parameter constructed with the URN namespace "urn:3gpp:fe", the "fe-id" part of the URN set to "msc-server" and the "role" header field parameter set to "msc-server-ics" in accordance with subclause 7.2.17 of 3GPP TS 24.229 [2].

5.4.3 Sending of SETUP

After successful MM connection establishment, the MSC Server shall send a SETUP message as described in 3GPP TS 24.008 [3] with the following INVITE request interworking applied:

- The MSC Server may include a bearer capability 1 information element set to indicate teleservice 11 as described in 3GPP TS 22.003 [9];
- The MSC Server shall not include a bearer capability 2 information element;
- The MSC Server shall build the calling party number BCD information element according to the tables 5.4.3.1 or 5.4.3.2 below.

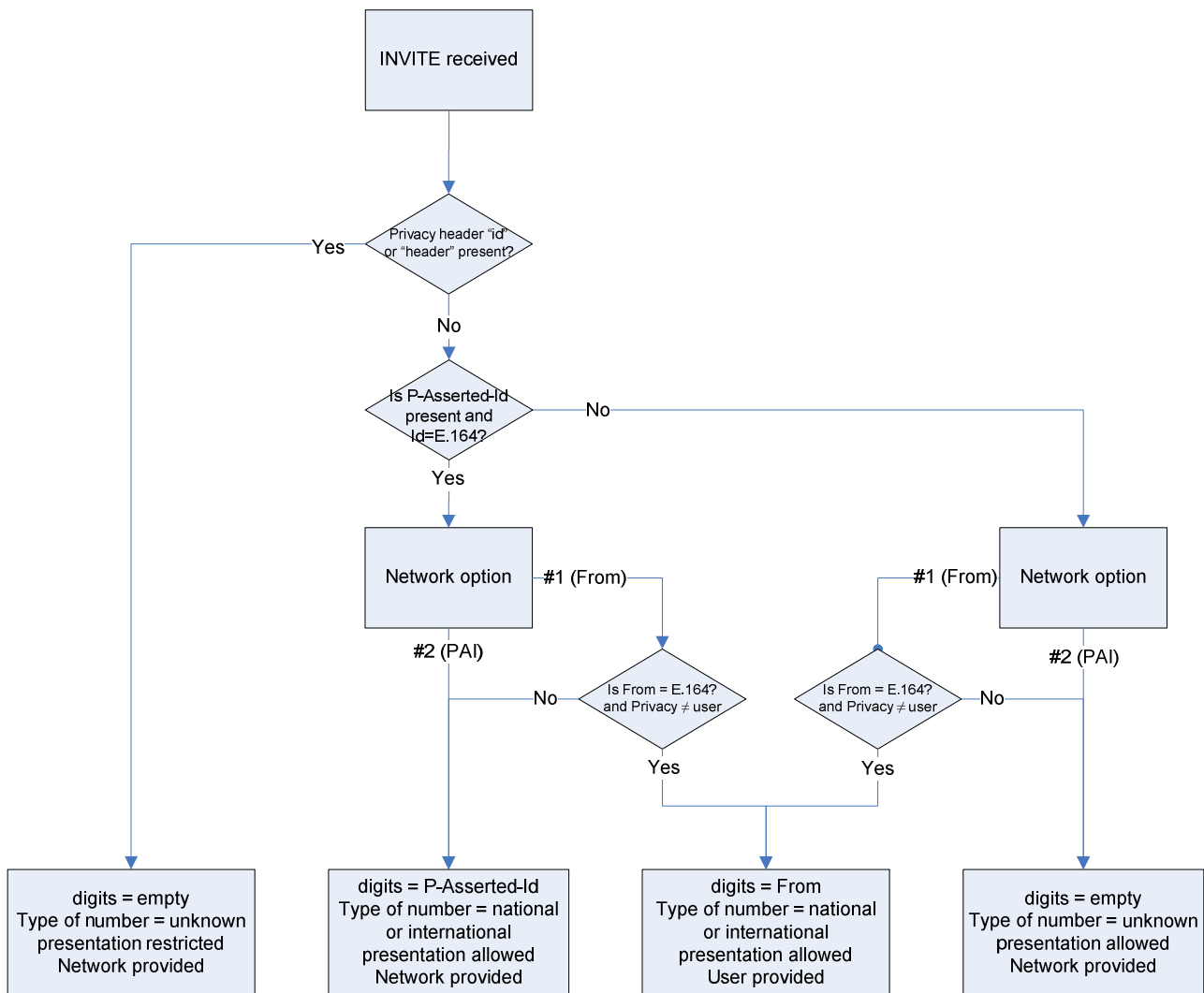


Figure 5.4.3.1: Mapping of INVITE message (with From and/or P-Asserted-Identity) to SETUP message (informative)

The default mapping is based on table 5.4.3.1.

As a network option, the mapping described in table 5.4.3.2 can be applied to create the calling party number BCD information element in the SETUP message based on the From header field in the following cases:

- When the received P-Asserted-Identity header field and the From header field contain URIs with an E.164 number format and the Privacy header field does not contain values "id", "header" or "user"; or
- When the P-Asserted-Identity header field is absent or not in the E.164 number format and the received From header field contain the URI with an E.164 number format and the Privacy header field does not contain values "id", "header" or "user".

Table 5.4.3.1: Setting of the calling party BCD number information element in SETUP message from P-Asserted-Identity

SIP Component	Value	Calling party BCD number information element	Value
P-Asserted-Identity header field (NOTE 1, NOTE 2) and Privacy header field	E.164 number and Priv-value≠ "id" or "header"	Digits	digits contained in tel URI or SIP URI
		Type of number	"national number" or "international number"
		Numbering Plan Identification	"ISDN/telephony numbering plan"
		Presentation Indicator	"presentation allowed"
		Screening indicator	"Network Provided"
P-Asserted-Identity header field present or not and Privacy header field is present	priv-value= "id" or "header"	Digits	do not include any number digits fields
		Type of number	"unknown"
		Numbering Plan Identification	"unknown"
		Presentation Indicator	"presentation restricted"
		Screening indicator	"Network Provided"
P-Asserted-Identity header field and Privacy header field	Absent or other than E.164 number and Priv-value≠ "id" or "header"	Digits	do not include any number digits fields except for NOTE 3 and NOTE 4 case
		Type of number	"unknown"
		Numbering Plan Identification	"unknown"
		Presentation Indicator	"presentation allowed"
		Screening indicator	"Network Provided"
Privacy header field	priv-value	Presentation Indicator	"Presentation Indicator"
priv-value	"header"	Presentation Indicator	Presentation restricted
	"user"	Presentation Indicator	Presentation allowed
	"none"	Presentation Indicator	Presentation allowed
	"id"	Presentation Indicator	Presentation restricted
<p>NOTE 1: It is possible that a P-Asserted-Identity header field includes both a tel URI and a SIP or SIPS URI. In this case, either the tel URI or the SIP URI with user="phone" and a specific host portion, as selected by operator policy, may be used.</p> <p>NOTE 2: The number mapping does not include any digits contained in the phone-context parameter.</p> <p>NOTE 3: If a display-name is present in the P-Asserted-Identity header and if the MSC Server supports the network option of mapping display name to calling name identity, the MSC Server may use the P-Asserted-Identity header to build a facility information element with a name indicator parameter set to the display name.</p> <p>NOTE 4: Interworking of display name received in conjunction with a tel URI or SIP URI to calling name presentation using CNAP is subject to local regulatory requirements on calling line identity and whether the originating network of the call is trusted to provide an authentic identity.</p>			

Table 5.4.3.2: Setting of the calling party BCD number information element in SETUP message from From header field

SIP Component	Value	Calling party BCD number information element	Value
From header field (NOTE 1, NOTE 2) and Privacy header field	E.164 number and Priv-value≠ "user"	Digits	digits contained in tel URI or SIP URI
		Type of number	"national number" or "international number"
		Numbering Plan Identification	"ISDN/telephony numbering plan"
		Presentation Indicator	"presentation allowed"
		Screening indicator	"User Provided"
From header field and Privacy header field	other than E.164 number and Priv-value≠ "user"	Digits	do not include any number digits fields except for NOTE 3 and NOTE 4 case
		Type of number	"unknown"
		Numbering Plan Identification	"unknown"
		Presentation Indicator	"presentation allowed"
		Screening indicator	"User Provided"
Privacy header field	priv-value	Presentation Indicator	"Presentation Indicator"
priv-value	"header"	Presentation Indicator	Presentation allowed
	"user"	Presentation Indicator	Presentation restricted
	"none"	Presentation Indicator	Presentation allowed
	"id"	Presentation Indicator	Presentation allowed
<p>NOTE 1: It is possible that a From header field includes both a tel URI and a SIP or SIPS URI. In this case, either the tel URI or the SIP URI with user="phone" and a specific host portion, as selected by operator policy, may be used.</p> <p>NOTE 2: The number mapping does not include any digits contained in the phone-context parameter.</p> <p>NOTE 3: If a display-name is present in the From header and if the MSC Server supports the network option of mapping display name to calling name identity, the MSC Server may use the From header to build a facility information element with a name indicator parameter set to the display name.</p> <p>NOTE 4: Interworking of display name received in conjunction with a tel URI or SIP URI to calling name presentation using CNAP is subject to local regulatory requirements on calling line identity and whether the originating network of the call is trusted to provide an authentic identity.</p>			

5.4.4 Receipt of CALL CONFIRMED

Upon receipt of a CALL CONFIRMED message:

- if a bearer capabilities 1 information element is present and indicates a teleservice other than 11 as described in 3GPP TS 22.003 [9], the MSC Server shall initiate call clearing procedures using a cause value of 58 (bearer capability not presently available);
- if a bearer capabilities 1 information element is present and includes a CTM text telephony indication set to "CTM text telephony is supported", the default behaviour of the MSC Server shall be to continue with call setup but not to provide user plane interworking between CTM and real-time-text at the CS-MGW.

NOTE: Conversion between CTM as described in 3GPP TS 26.226 [22] and real-time-text as described in 3GPP TS 26.114 [28] may be provided as an implementation option if the SDP offer included the payload type for real-time-text. Such conversion is outside the scope of the present document.

5.4.5 Bearer establishment

5.4.5.1 Network side bearer establishment

If the initial INVITE request contained an SDP offer, the MSC Server should use the codecs received in the SDP offer and determine the codecs supported by the UE as specified in 3GPP TS 24.008 [3] to select and return a single codec in the SDP answer.

The MSC Server shall reject all non-audio media descriptions from the SDP offer in the SDP answer.

The SDP answer shall be returned in the first reliable response.

If the initial INVITE request did not contain an SDP offer, the MSC Server should determine the codecs supported by the UE as specified in 3GPP TS 24.008 [3] and use this information when constructing a codec list for the SDP offer and send the SDP offer in the first reliable response to the INVITE request.

5.4.5.2 Access bearer assignment

The MSC Server shall initiate access bearer assignment only after the following conditions are satisfied:

- the incoming side RTP connection point has been successfully reserved and configured in the CS-MGW; and
- either:
 - preconditions were not requested in the SDP of the initial INVITE request; or
 - an SDP offer has been received indicating that remote preconditions have been met.

For UTRAN and GERAN Iu-mode, the NAS Synchronisation Indicator information element shall be used to inform the UE of the selected codec as specified in 3GPP TS 24.008 [3].

5.4.5.3 Transcoding

The CS-MGW may include a speech transcoder based upon the speech coding information provided to each bearer termination.

5.4.6 Receipt of ALERTING

Upon receipt of the ALERTING message from the UE, the MSC Server shall send a 180 Ringing response.

NOTE: Starting timer T301 (or a corresponding internal alerting supervision timing function) as specified in 3GPP TS 24.008 [3] at the MSC Server is an implementation option. The default value for T301 in 3GPP TS 24.008 [3] is longer than the range specified for the IM CN subsystem's no reply timer specified in 3GPP TS 24.604 [23], which should allow the IM CN subsystem to properly control CFNA. However, if T301 is started and expires prior to the no reply timer in the IM CN subsystem, the non-2xx response returned to the IM CN subsystem will prevent invocation of the CFNA service.

5.4.7 Applying early media

The MSC Server may instruct the CS-MGW to apply ringback tone or an announcement towards the IM CN subsystem in the following condition:

- the MSC Server supports the P-Early-Media header as a network option; and
- the P-Early-Media header was received in the initial INVITE request.

If these conditions are met and the MSC Server chooses to apply early media, the following actions are taken:

- prior to applying an announcement, the MSC Server shall include in the 183 Session Progress response a P-Early-Media header authorizing backward early media;

- prior to applying ringback tone, the MSC Server shall include in the 180 Ringing response a P-Early-Media header authorizing backward early media.

5.4.8 Call rejection or abandonment

5.4.8.1 Receipt of RELEASE COMPLETE or DISCONNECT

If the MSC Server receives a RELEASE COMPLETE or DISCONNECT message from the UE during call establishment, the MSC Server shall send a status-code 4xx, 5xx or 6xx response to the initial INVITE. The status-code sent shall be determined by examining the first cause information element received in the RELEASE COMPLETE or DISCONNECT message and applying the mapping specified in table 5.4.8.1.1.

Table 5.4.8.1.1: Mapping the cause information element to the 4xx/5xx/6xx status-code

Cause value	SIP status-code
1 (Unassigned (unallocated) number)	404 Not Found
3 (No route to destination)	500 Server Internal Error
6 (Channel unacceptable)	500 Server Internal Error
8 (Operator determined barring)	603 Decline
16 (Normal call clearing)	480 Temporarily Unavailable
17 (User busy)	486 Busy Here
18 (No user responding)	480 Temporarily Unavailable
19 (User alerting, no answer)	480 Temporarily Unavailable
21 (Call rejected)	603 Decline
22 (Number changed)	410 Gone
25 (Pre-emption)	480 Temporarily Unavailable
26 (Non selected user clearing)	480 Temporarily Unavailable
27 (Destination out of order)	502 Bad Gateway
28 (Invalid number format (incomplete number))	484 Address Incomplete
29 (Facility rejected)	501 Not Implemented
30 (Response to STATUS ENQUIRY)	500 Server Internal Error
31 (Normal, unspecified)	480 Temporarily Unavailable
34 (No circuit/channel available)	480 Temporarily Unavailable
38 (Network out of order)	500 Server Internal Error
41 (Temporary failure)	500 Server Internal Error
42 (Switching equipment congestion)	500 Server Internal Error
43 (Access information discarded)	500 Server Internal Error
44 (Requested circuit/channel not available)	500 Server Internal Error
47 (Resources unavailable, unspecified)	500 Server Internal Error
49 (Quality of service unavailable)	500 Server Internal Error
50 (Requested facility not subscribed)	500 Server Internal Error
55 (Incoming calls barred within the CUG)	603 Decline

Cause value	SIP status-code
57 (Bearer capability not authorized)	500 Server Internal Error
58 (Bearer capability not presently available)	500 Server Internal Error
63 (Service or option not available, unspecified)	501 Not Implemented
65 (Bearer service not implemented)	500 Server Internal Error
68 (ACM equal to or greater than ACMmax)	500 Server Internal Error
69 (Requested facility not implemented)	501 Not Implemented
70 (Only restricted digital information bearer capability is available)	501 Not Implemented
79 (Service or option not implemented, unspecified)	501 Not Implemented
81 (Invalid transaction identifier value)	500 Server Internal Error
87 (User not member of CUG)	403 Forbidden
88 (Incompatible destination)	500 Server Internal Error
91 (Invalid transit network selection)	404 Not Found
95 (Semantically incorrect message)	500 Server Internal Error
96 (Invalid mandatory information)	500 Server Internal Error
97 (Message type non-existent or not implemented)	501 Not Implemented
98 (Message type not compatible with protocol state)	501 Not Implemented
99 (Information element non-existent or not implemented)	501 Not Implemented
100 (Conditional IE error)	500 Server Internal Error
101 (Message not compatible with protocol state)	500 Server Internal Error
102 (Recovery on timer expiry)	504 Server timeout
111 (Protocol error, unspecified)	500 Server Internal Error
127 (Interworking, unspecified)	480 Temporarily Unavailable

NOTE 1: Alternative mappings are allowed per operator policy.

The first cause information element included in the RELEASE COMPLETE or DISCONNECT message shall be mapped to a Reason header field in the SIP final response sent as a result of this clause as follows:

- set the protocol field to "Q.850"; and
- set the numeric "cause" parameter value to the cause value field of the cause information element according to table 5.4.8.1.2.

NOTE 2: The inclusion of reason-text in the Reason header is implementation specific.

Table 5.4.8.1.2: Mapping of cause information element to "cause" parameter for protocol "Q.850"

Cause information element Cause value	Reason header field with protocol value "Q.850" "cause" parameter value
1 (Unallocated (unassigned) number)	1 (Unallocated (unassigned) number)
3 (No route to destination)	3 (No route to destination)
6 (Channel unacceptable)	6 (Channel unacceptable)
16 (Normal call clearing)	16 (Normal call clearing)
17 (User busy)	17 (User busy)
18 (No user responding)	18 (No user responding)
19 (User alerting, no answer)	19 (No answer from user (user alerted))
21 (Call rejected)	21 (Call rejected)
22 (Number changed)	22 (Number changed)
24 (Call rejected due to feature at the destination)	24 (Call rejected due to feature at the destination)
25 (Pre-emption)	8 (Preemption)
26 (Non selected user clearing)	26 (Non-selected user clearing)
27 (Destination out of order)	27 (Destination out of order)
28 (Invalid number format (incomplete number))	28 (Invalid number format (address incomplete))
29 (Facility rejected)	29 (Facility rejected)
30 (Response to STATUS ENQUIRY)	30 (Response to STATUS ENQUIRY)
31 (Normal, unspecified) (NOTE 1)	31 (Normal, unspecified)
34 (No circuit/channel available)	34 (No circuit/channel available)
38 (Network out of order)	38 (Network out of order)
41 (Temporary failure)	41 (Temporary failure)
42 (Switching equipment congestion)	42 (Switching equipment congestion)
43 (Access information discarded)	43 (Access information discarded)
44 (requested circuit/channel not available)	44 (Requested circuit/channel not available)
47 (Resource unavailable, unspecified) (NOTE 2)	47 (Resource unavailable, unspecified)
49 (Quality of service unavailable)	49 (Quality of service not available)
50 (Requested facility not subscribed)	50 (Requested facility not subscribed)
55 (Incoming calls barred within the CUG)	55 (Incoming calls barred within CUG)
57 (Bearer capability not authorised)	57 (Bearer capability not authorised)
58 (Bearer capability not presently available)	58 (Bearer capability not presently available)
63 (Service option not available, unspecified) (NOTE 3)	63 (Service option not available, unspecified)
65 (Bearer capability not implemented)	65 (Bearer capability not implemented)
69 (Requested facility not implemented)	69 (Requested facility not implemented)
70 (Only restricted digital information capability is available)	70 (Only restricted digital information capability is available)
79 (Service or option not implemented, unspecified) (NOTE 4)	79 (Service or option not implemented, unspecified)
81 (Invalid transaction identifier value)	81 (Invalid call reference value)
87 (User not member of CUG)	87 (User not member of CUG)
88 (Incompatible destination)	88 (Incompatible destination)
91 (Invalid transit network selection)	91 (Invalid transit network selection)
95 (Semantically incorrect message) (NOTE 5)	95 (Invalid message, unspecified)
97 (Message type non-existent or not implemented)	97 (Message type non-existent or not implemented)
98 (Message type not compatible with protocol state)	98 (Message not compatible with call state or message type non-existent or not implemented)
99 (Information element non-existent or not implemented)	99 (Information element/parameter non-existent or not implemented)
101 (Message not compatible with protocol state)	101 (Message not compatible with call state)
102 (Recovery on timer expiry)	102 (Recovery on timer expiry)
111 (Protocol error, unspecified) (NOTE 6)	111 (Protocol error, unspecified)
127 (Interworking, unspecified) (NOTE 7)	127 (Interworking, unspecified)
NOTE 1: All other values in the range 0 to 31 not appearing in table shall be treated as cause 31.	
NOTE 2: All other values in the range 32 to 47 not appearing in table shall be treated as cause 47.	
NOTE 3: All other values in the range 48 to 63 not appearing in table shall be treated as cause 63.	
NOTE 4: All other values in the range 64 to 79 not appearing in table shall be treated as cause 79.	
NOTE 5: All other values in the range 80 to 95 not appearing in table shall be treated as cause 95.	
NOTE 6: All other values in the range 96 to 111 not appearing in table shall be treated as cause 111.	
NOTE 7: All other values in the range 112 to 127 not appearing in table shall be treated as cause 127.	

5.4.8.2 Receipt of CANCEL or BYE

If the MSC Server receives a CANCEL or BYE request, the MSC Server shall initiate call clearing procedures by sending a DISCONNECT message towards the UE as described in 3GPP TS 24.008 [3] with the following interworking applied:

- if one or more Reason header fields are included in the CANCEL or BYE request, then the cause value of each Reason header field shall be mapped to a cause information element in the DISCONNECT message as follows:
 - a) if the Reason header field contains the protocol header field parameter set to "Q.850", or "SIP" with a cause header field parameter value other than "200", the cause information element shall be built as described in clause 5.3.8; and
 - b) if the Reason header field contains the protocol header field parameter set to "SIP", the cause header field parameter set to "200" as specified in IETF RFC 3326 [45], the cause information element shall be set to cause value 13 (call completed elsewhere).
- if no Reason header field is included in the CANCEL or BYE request, a cause value set to 31 (normal, unspecified), coding standard set to "Standard defined for the GSM PLMNs" and location set to "network beyond interworking point" shall be used in the cause information element in the DISCONNECT message.

5.4.9 Receipt of CONNECT

Upon receipt of the CONNECT message from the UE, the MSC Server shall send a 200 OK response to the initial INVITE.

Interworking applied for the TIR services is described in clause 5.6.2.2.

5.4.10 Call failure procedures

The MSC Server shall handle call failures (e.g. timer expiration) during mobile terminating call establishment in accordance with 3GPP TS 24.008 [3]. The cause value used towards the calling user as specified in 3GPP TS 24.008 [3] shall be mapped to a final response to the INVITE request as specified in clause 5.4.8.1.

5.4.11 Autonomous clearing initiated by the MSC Server

If the MSC Server determines due to internal procedures that the call shall be released, call release shall be in accordance with 3GPP TS 24.008 [3] clause 5.4.4 with the additional interworking defined here.

NOTE 1: If a SIP 200 (OK) response has been sent but the SIP ACK request is not yet received, the procedure in clause 5.5.4 is used instead.

Depending on the reason for the clearing, the MSC Server shall send a SIP 4xx or 5xx response as specified in 3GPP TS 24.229 [2] to the IM CN subsystem. The MSC Server shall include a Reason header field populated as follows:

- the protocol field set to "Q.850"; and
- a "cause" header field parameter aligned with the value used in the cause information element of the call clearing message towards the UE.

NOTE 2: The inclusion of reason-text in the Reason header is implementation specific.

5.5 Interworking of established call clearing between NAS signalling and SIP

5.5.1 General

The following subclauses define the procedure and signalling interworking performed by the MSC Server for call clearing of an established call. This interworking is independent of the direction of original call establishment.

Call clearing during call setup is described in subclauses 5.3.7, 5.3.8, 5.3.9, 5.4.8.1 and 5.4.10.

5.5.2 Clearing initiated by the mobile

MSC Server handling of call clearing initiated by the mobile shall be in accordance with 3GPP TS 24.008 [3] with the additional interworking defined here.

Upon receipt of a DISCONNECT message, the MSC Server shall send a BYE request as specified in 3GPP TS 24.229 [2] to the IM CN subsystem. The first cause information element in the DISCONNECT message shall be included in a Reason header field in the BYE request as follows:

- set the protocol value to "Q.850"; and
- set the numeric "cause" parameter value to the cause value field of the cause information element according to table 5.4.8.1.2.

NOTE: The inclusion of the "text" header field parameter in the Reason header field is implementation specific.

5.5.3 Clearing initiated by the IM CN subsystem

Upon receipt of a BYE request, the MSC Server shall send a DISCONNECT message towards the mobile. If one or more Reason header fields is included in the BYE request, each Reason header field shall be mapped to a cause information element in the DISCONNECT message according to clause 5.3.8.

If no Reason header is present, a cause information element value of 16 (Normal call clearing) shall be used.

5.5.4 Autonomous clearing initiated by the MSC Server

If the MSC Server determines due to internal procedures that the call shall be released, call release shall be in accordance with 3GPP TS 24.008 [3] with the additional interworking defined here.

The MSC Server shall send a BYE request to the IM CN subsystem. The MSC Server shall align according to table 5.4.8.1.2 the value used in the cause information element in the DISCONNECT message with the value used in the "cause" parameter for the "Q.850" protocol field in the Reason header of the BYE request.

5.6 Supplementary Services invocation

5.6.1 Originating identification presentation/restriction (OIP/OIR)

The interworking required for OIP is defined in clause 5.4.3.

The interworking required for OIR is defined in clause 5.3.3.2.

5.6.2 Terminating identification presentation/restriction (TIP/TIR)

5.6.2.1 Terminating identification presentation (TIP)

When interworking a SIP 200 OK (INVITE) response to a CONNECT message as described in clause 5.3.6, a MSC Server which supports the normal operation of the connected number supplementary service as described in 3GPP TS 24.081 [12] shall apply the following interworking for the TIP supplementary service:

- if a P-Asserted-Identity header containing a tel URI or a SIP URI with "user=phone" is present, the MSC Server shall use this header to build a connected number information element as follows:
 - if the tel URI or number within the userinfo part of the SIP URI is in international format, set the type of number to "international number", otherwise set the type of number to "national number"; and
 - set the number plan identification to "ISDN/telephony numbering plan"; and
 - set the presentation indicator to "presentation allowed"; and

- set the screening indicator to "network provided"; and
- set the number digits fields to the telephone number contained in the tel URI or the userinfo part of the SIP URI; or

NOTE 1: If the P-Asserted-Identity header contains both a tel URI and a SIP URI with "user=phone", the URI used for mapping is implementation specific.

NOTE 2: The number mapping does not include any digits contained in the phone-context parameter.

- if a P-Asserted-Identity header is present but does not contain a tel URI or a SIP URI with "user=phone", the MSC Server shall build a connected number information element as follows:
 - set the type of number to "unknown"; and
 - set the number plan identification to "unknown"; and
 - set the presentation indicator to "number not available due to interworking"; and
 - set the screening indicator to "network provided"; and
 - do not include any number digits fields; or
- if no P-Asserted-Identity header is present but a Privacy header with priv-value set to "id" is present, the MSC Server shall build a connected number information element as follows:
 - set the type of number to "unknown"; and
 - set the number plan identification to "unknown"; and
 - set the presentation indicator to "presentation restricted"; and
 - set the screening indicator to "network provided"; and
 - do not include any number digits fields; or
- if neither a P-Asserted-Identity header nor a Privacy header field with a priv-value set to "id" is present, then no connected number information element shall be included.

5.6.2.2 Terminating identification restriction (TIR)

The MSC Server shall not include a Privacy header in any response to an INVITE request.

NOTE: 3GPP TS 24.081 [12] does not provide a mechanism for a terminator to temporarily override default settings for this service. The inclusion of a Privacy header could lead to the AS serving the terminating user to mistakenly assume that a default setting is being temporarily overridden by the terminating user. Omitting the Privacy header allows the AS supporting the terminating user to perform the appropriate actions for the TIR service in "permanent mode" as specified in 3GPP TS 24.608 [14].

5.6.3 Communication Hold (HOLD)

5.6.3.1 HOLD initiated via NAS signalling

5.6.3.1.1 Hold

When the MSC Server receives a HOLD message as specified in 3GPP TS 24.083 [26] and the media on the IM CN subsystem side of the CS-MGW is "sendonly" or "inactive", no interworking is required and the MSC Server shall send a HOLD ACKNOWLEDGE message to the UE as specified in 3GPP TS 24.083 [26]. If the media on the IM CN subsystem side is "recvonly" or "sendrecv", the MSC Server shall send an UPDATE or re-INVITE request containing an SDP offer configured as follows:

- mark the media as "sendonly" or "inactive" as described in 3GPP TS 24.610 [27]; and

- if RTCP is disabled for this media stream, include RR and RS bandwidth modifiers with values greater than zero to enable RTCP as described in 3GPP TS 26.114 [28] clause 7.3.1.

Upon receipt of the SDP answer in a 200 OK response to the UPDATE or re-INVITE request, the MSC Server shall send a HOLD ACKNOWLEDGE message to the UE as specified in 3GPP TS 24.083 [26].

If the SDP offer is rejected or a non-200 response is received to the UPDATE or re-INVITE request, the MSC Server shall send a HOLD REJECT message to the UE as specified in 3GPP TS 24.083 [26] with cause parameter set to "Facility rejected".

5.6.3.1.2 Resume

When the MSC Server receives a RETRIEVE message as specified in 3GPP TS 24.083 [26] and the media on the IM CN subsystem side of the CS-MGW is "recvonly" or "sendrecv", no interworking is required and the MSC Server shall send a RETRIEVE ACKNOWLEDGE message to the UE as specified in 3GPP TS 24.083 [26]. If the media on the IM CN subsystem side is "sendonly" or "inactive", the MSC Server shall send an UPDATE or re-INVITE request containing an SDP offer with media marked as "recvonly" or "sendrecv" as described in 3GPP TS 24.610 [27]. The MSC Server may include RR and RS bandwidth modifiers set to zero in the SDP offer to disable RTCP.

Upon receipt of the SDP answer in a 200 OK response to the UPDATE or re-INVITE request, the MSC Server shall send a RETRIEVE ACKNOWLEDGE message to the UE as specified in 3GPP TS 24.083 [26].

If the SDP offer is rejected or a non-200 response is received to the UPDATE or re-INVITE request, the MSC Server shall send a RETRIEVE REJECT message to the UE as specified in 3GPP TS 24.083 [26] with cause parameter set to "Facility rejected".

5.6.3.2 HOLD initiated via SIP signalling

5.6.3.2.1 Hold

The IM CN subsystem makes a hold request by sending an UPDATE or re-INVITE request with an "inactive" or "sendonly" SDP attribute, depending on the current state of the session. Upon receipt of a hold request from the IM CN subsystem, the MSC Server shall perform the following interworking:

- if the MSC Server received a non-zero SS screening indicator as defined in 3GPP TS 24.080 [29] from the UE, the MSC Server shall send a FACILITY message indicating the call has been placed on hold as specified in 3GPP TS 24.083 [26];
- if the MSC Server did not receive a non-zero SS screening indicator from the UE, the MSC Server shall not send any message to the UE.

5.6.3.2.2 Resume

The IM CN subsystem requests to resume a session by sending an UPDATE or re-INVITE request with an "recvonly" or "sendrecv" SDP attribute, depending on the current state of the session. Upon receipt of a resume request from the IM CN subsystem, the MSC Server shall perform the following interworking:

- if the MSC Server received a non-zero SS screening indicator as defined in 3GPP TS 24.080 [29] from the UE, the MSC Server shall send a FACILITY message indicating the call has been retrieved as specified in 3GPP TS 24.083 [26];
- if the MSC Server did not receive a non-zero SS screening indicator from the UE, the MSC Server shall not send any message to the UE.

5.6.4 Communication Waiting (CW)

5.6.4.1 Receipt of initial INVITE

NOTE: Clause 5.4.2 contains general applicable procedures executed upon receipt of an initial INVITE request.

If the initial INVITE request includes:

- a MIME body (part) according to clause 4.4.1 of 3GPP TS 24.615 [44] with the "communication-waiting-indication" element contained in the "ims-cw" root element according to 3GPP TS 24.615 [44]; or
- does not contain a Replaces header field corresponding to a established dialog and the target of the INVITE request is engaged in the established SIP dialog;

then, upon interworking the initial INVITE request to a SETUP message as described in clause 5.4.3, the MSC Server shall apply the following additional interworking:

- the MSC Server shall include a Signal information element with value 7 (call waiting tone on); and
- if the INVITE request includes a MIME body (part) according to clause 4.4.1 of 3GPP TS 24.615 [44] with the "communication-waiting-indication" element contained in the "ims-cw" root element according to 3GPP TS 24.615 [44]:
- the MSC Server shall store an indication that this session includes a CW AS; and
- the MSC Server may start timer T_{UE-CW} as described in 3GPP TS 24.615 [44].

If the CALL CONFIRMED message received by the MSC Server during mobile terminating call setup contains a Cause information element set to a value of 17 (User busy), then upon interworking the subsequent ALERTING message to a 180 Ringing response as described in clause 5.4.6, the MSC Server shall apply the following additional interworking:

- the MSC Server shall insert an Alert-Info header set to "urn:alert:service:call-waiting" as described in 3GPP TS 24.615 [44] into the 180 Ringing response.

5.6.4.2 Accepting the waiting call

If the subscriber chooses to accept the waiting call and put the existing call on hold, the MSC Server shall:

- upon receipt of the HOLD message for the existing call, apply the interworking specified in clause 5.6.3.1.1; and
- upon receipt of the CONNECT message for the waiting call, stop timer T_{UE-CW} if it was started and apply the interworking specified in clause 5.4.9.

If the subscriber chooses to accept the waiting call and release the existing call, the MSC Server shall:

- upon receipt of the DISCONNECT message for the existing call, apply the interworking specified in clause 5.5.2; and
- upon receipt of the CONNECT message for the waiting call, stop timer T_{UE-CW} if it was started and apply the interworking specified in clause 5.4.9.

5.6.4.3 Rejecting the waiting call

If the MSC Server receives a first clearing message from the UE during call establishment, the cause value used towards the calling user as specified in 3GPP TS 24.008 [3] shall be mapped to a final response to the INVITE request as specified in clause 5.4.8.1, except for cause codes:

- 19 (User alerting, no answer) and 18 (No user responding). A first clearing message from the UE during call establishment with cause code 19 (User alerting, no answer) or 18 (No user responding) shall be mapped to the 480 (Temporarily unavailable) final response including a Reason header field (see RFC 3326 [45]) with the protocol set to "Q.850" and the cause set to "19" or "18", respectively;
- 63 (Service or option not available, unspecified) and 69 (Requested facility not implemented):
 - if the MSC Server stored an indication that the session includes a CW AS, a first clearing message from the UE during call establishment with cause code 63 (Service or option not available, unspecified) or 69 (Requested facility not implemented) used towards the calling user as specified in 3GPP TS 24.008 [3] shall be mapped to the 415 (Unsupported Media Type) final response; or
 - if the MSC Server did not store an indication that the session includes a CW AS, the cause codes 63 (Service or option not available, unspecified) and 69 (Requested facility not implemented) used towards the calling user as specified in 3GPP TS 24.008 [3] shall be mapped to a final response to the INVITE request as specified in clause 5.4.8.1.

Depending on operator policy, the MSC Server may insert in a SIP failure response a Response-Source header field with an "fe" header field parameter constructed with the URN namespace "urn:3gpp:fe", the "fe-id" part of the URN set to "msc-server" and the "role" header field parameter set to "msc-server-ics" in accordance with subclause 7.2.17 of 3GPP TS 24.229 [2].

The MSC Server shall stop timer T_{UE-CW} if it was started.

5.6.4.4 Communication release during waiting condition

Upon receipt of a BYE or CANCEL request for the waiting call, the MSC Server shall stop timer T_{UE-CW} if it was started, and:

- if the BYE or CANCEL request includes a Reason header field (see RFC 3326 [45]) with the protocol set to "SIP" and the cause set to "408" then the MSC Server shall send a first clearing message according to clause 5.4.8.2, with the following addition:
 - the Cause information element shall be set to cause 102 "recovery on timer expiry"; or
 - the MSC Server shall act in accordance with clause 5.4.8.2.

5.6.4.5 CW condition timeout

If timer T_{UE-CW} was started and expires, the MSC Server shall:

- send a DISCONNECT message as described in 3GPP TS 24.008 [3], towards the UE for the waiting call, including the Cause information element, where the cause values is set to 102 "recovery on timer expiry", the coding standard set to "Standard defined for the GSM PLMNs" and location set to "network beyond interworking point";
- if the MSC Server stored an indication that the session includes a CW AS, send a 480 (Temporarily unavailable) final response, including a Reason header field set to cause 19, according to 3GPP TS 24.615 [44] in response to the initial INVITE request, and depending on operator policy, the MSC Server may insert a Response-Source header field with an "fe" header field parameter constructed with the URN namespace "urn:3gpp:fe", the "fe-id" part of the URN set to "msc-server" and the "role" header field parameter set to "msc-server-ics" in accordance with subclause 7.2.17 of 3GPP TS 24.229 [2];
- ;
- if the MSC Server did not store an indication that the session includes a CW AS, the MSC Server shall act in accordance with clause 5.4.10.

NOTE: Starting timer T2 or (optionally) T3 (or corresponding internal alerting supervision timing functions) as specified in 3GPP TS 24.083 [26] is an implementation option. Corresponding timers have been defined in 3GPP TS 24.615 [44] and 3GPP TS 24.604 [23]. If timers T2 or optionally T3 are started and expire, any resulting SIP responses that are not a 480 (Temporarily unavailable) final response, including a Reason header field set to cause 19, can interact with CW and (optionally) CDIV.

5.6.4.6 Notification to originator

For originating calls interworked to the IM CN subsystem as described in clause 5.3, if the MSC Server receives a 180 Ringing response with a Alert-Info header field set to "urn:alert:service:call-waiting" according to 3GPP TS 24.615 [44], the MSC Server shall, according to 3GPP TS 24.083 [26], send if possible, the ALERTING message as the carrier message for the Call Waiting notification. Otherwise the MSC Server shall send a FACILITY message as the carrier message for the Call Waiting notification as specified in 3GPP TS 24.083 [26].

5.6.5 Communication Barring (CB)

When interworking a 4xx, 5xx or 6xx response to the initial INVITE request to a DISCONNECT message as described in clause 5.3.8, the MSC Server shall apply the following additional interworking for the CB services described in 3GPP TS 24.611 [31]:

- if a 433 Anonymity Disallowed response is received, the MSC Server shall include in the DISCONNECT a NotifySS operation containing an SS-Code set to the common code for incoming barring services and an SS-Status set to indicate the service is active and operative as specified in 3GPP TS 24.088 [30];
- if a 603 Decline response is received, the MSC Server shall include in the DISCONNECT a NotifySS operation containing an SS-Code set to the common code for all barring services and an SS-Status set to indicate the service is active and operative as specified in 3GPP TS 24.088 [30].

NOTE: The common SS code is used as 3GPP TS 24.611 [31] specifies the use of a 603 Decline response for both the OCB and ICB services.

5.6.6 Communication Diversion

5.6.6.1 General

The following subclauses describe the MSC Server interworking behaviour related to the Communication Diversion (CDIV) services defined in 3GPP TS 24.604 [23].

5.6.6.2 CDIV invocation

5.6.6.2.1 Communication Forwarding Unconditional (CFU)

Invocation of CFU is handled by the IM CN subsystem as described in 3GPP TS 24.604 [23] and requires no interworking at the MSC Server.

5.6.6.2.2 Communication Forwarding Busy (CFB)

For network determined user busy, invocation of CFB is handled by the IM CN subsystem as described in 3GPP TS 24.604 [23] and requires interworking at the MSC Server.

For user determined user busy during mobile terminating call establishment as described in clause 5.4, if the MSC Server receives a DISCONNECT, RELEASE or RELEASE COMPLETE message from the UE with a cause information element set to "User Busy", the MSC Server shall perform the interworking described in clause 5.4.8.1.

5.6.6.2.3 Communication Forwarding No Reply (CFNR)

Invocation of CFNR is handled by the IM CN subsystem as described in 3GPP TS 24.604 [23] and requires no interworking at the MSC Server.

5.6.6.2.4 Communication Forwarding on Not Logged-In (CFNL)

Invocation of CFNL is handled by the IM CN subsystem as described in 3GPP TS 24.604 [23] and requires no interworking at the MSC Server.

5.6.6.2.5 Communication Deflection (CD)

During mobile terminating call establishment as described in clause 5.4, if the MSC Server receives a DISCONNECT message from the UE with a facility information element containing a call deflection request as specified in 3GPP TS 24.072 [25], the MSC Server shall send a 302 (Moved Temporarily) response to the initial INVITE with the following interworking applied:

- the DeflectedToNumber parameter in the facility information element received in the DISCONNECT message is used to derive a Contact header as follows:
 - if the nature of address indicator is set to "international number", then the address digits in the DeflectedToNumber parameter, prefixed with a "+", shall be used to build a tel URI or a SIP URI with "user=phone"; or
 - if the nature of address indicator is not set to "international number", then the MSC Server shall either:

- convert the address digits in the DeflectedToNumber parameter to international format by prefixing the number digits with "+CC" and use this to build a tel URI or a SIP URI with "user=phone"; or

NOTE 1: CC is the country code of the network in which the MSC Server is located.

- use the address digits in the DeflectedToNumber parameter to build a tel URI or a SIP URI with "user=phone". The phone-context parameter shall include the home network domain name defined for IMS centralized services in 3GPP TS 23.003 [10]. For geo-local numbers, the home domain name shall be prefixed by the "geo-local" string according to 3GPP TS 24.229 [2].

NOTE 2: The manner in which the MSC Server distinguishes between geo-local and home-local numbers is implementation specific.

Depending on operator policy, the MSC Server may insert in a 302 (Moved Temporarily) response a Response-Source header field with an "fe" header field parameter constructed with the URN namespace "urn:3gpp:fe", the "fe-id" part of the URN set to "msc-server" and the "role" header field parameter set to "msc-server-ics" in accordance with subclause 7.2.17 of 3GPP TS 24.229 [2].

5.6.6.2.6 Communication Forwarding on Subscriber Not Reachable (CFNRc)

Clause 5.4.2 describes a number of scenarios where the MSC Server determines the terminating user is not reachable prior to sending the SETUP message and returns the appropriate response to the INVITE request to allow CFNRc to be initiated in the IM CN subsystem. If the MSC Server determines the terminating user is not reachable prior to sending the SETUP message for any other scenario not described in clause 5.4.2, the MSC Server shall send a 500 Server Internal Error response to the initial INVITE request and depending on operator policy, the MSC Server may insert in the 500 (Server Internal Error) response a Response-Source header field with an "fe" header field parameter constructed with the URN namespace "urn:3gpp:fe", the "fe-id" part of the URN set to "msc-server" and the "role" header field parameter set to "msc-server-ics" in accordance with subclause 7.2.17 of 3GPP TS 24.229 [2].

5.6.6.3 Notifications relating to CDIV

5.6.6.3.1 Void

5.6.6.3.2 Notification to an originating user on CS access

For originating calls interworked to the IM CN subsystem as described in clause 5.3, if communication diversion occurs for a served user with the subscription option "Originating user receives notification that his communication has been diverted (forwarded or deflected)" as described in 3GPP TS 24.604 [23], the following interworking shall be applied upon receipt of a 181 (Call Is Being Forwarded) response:

- if a History-Info header field is present and any history entry contains a "cause" SIP URI parameter, as defined in IETF RFC 4458 [55] set to a value listed in table 5.6.6.3.2.1, the MSC Server shall send a FACILITY message containing a NotifySS operation indicating the call has been forwarded. The NotifySS operation shall contain an SS-Code as specified in 3GPP TS 24.082 [24] and 3GPP TS 24.072 [25] mapped from the value of the last "cause" SIP URI parameter according to table 5.6.6.3.2.1;

Table 5.6.6.3.2.1: Mapping the History-Info cause value to SS-Code

Cause value	SS-Code
302	CFU
404	Common SS-Code for all forwarding SS
408	CFNRy
480	CD
486	CFB
487	CD
503	CFNRc

NOTE: Per 3GPP TS 24.604 [23] the History-Info header field can also be received in a SIP 180 (Ringing) or SIP 200 (OK) response to the initial SIP INVITE request. No interworking is performed in these scenarios as 3GPP TS 24.082 [24] does not allow this information to be presented to the subscriber in a manner consistent with 3GPP TS 24.604 [23].

5.6.6.3.3 Notification to a terminating user on CS access

When interworking a SIP INVITE request to a SETUP message as described in clause 5.4.3, the MSC Server shall apply the following interworking to provide notification of CDIV if a History-Info header field is present in the INVITE request:

- if any history entry in the History-Info header field contains a "cause" SIP URI parameter, as defined in IETF RFC 4458 [55], set to a value listed in table 5.6.6.3.2.1, the MSC Server shall send a FACILITY information element containing a NotifySS operation indicating the call has been forwarded. The NotifySS operation shall contain an SS-Code as specified in 3GPP TS 24.082 [24] and 3GPP TS 24.072 [25] mapped from the value of the last "cause" SIP URI parameter according to table 5.6.6.3.2.1.
- if
 - a) the SIP INVITE request does not contain a Privacy header field with any of the privacy values "header", "session" or "history"; and
 - b) the history entry in the History-Info header field preceding the last history entry in History-Info header field containing a "cause" SIP URI parameter defined in IETF RFC 4458 [55] set to a value listed in table 5.6.6.3.2.1 does not contain an escaped privacy header with a value of "history",
- then the following additional interworking shall be applied:
 - if the hi-targeted-to-uri within the history entry preceding the last history entry containing a "cause" SIP URI parameter contains a tel URI or a SIP URI with "user=phone", the MSC Server shall include a redirecting party BCD number information element set as follows:
 - if the tel URI or telephone number within the SIP URI is in international format, set the type of number to "international number", otherwise set the type of number to "national number";
 - set the number plan identification to "ISDN/telephony numbering plan";
 - set the presentation indicator to "presentation allowed";
 - set the screening indicator to "network provided"; and
 - set the number digits fields to the telephone number contained in the tel URI or SIP URI;

NOTE: The number mapping does not include any digits contained in the phone-context parameter.

- otherwise,
 - the MSC Server shall build a redirecting party BCD number information element as follows:
 - set the type of number to "unknown";
 - set the number plan identification to "unknown";
 - set the presentation indicator to "number not available due to interworking"; and
 - set the screening indicator to "network provided".

5.6.7 Explicit Communication Transfer (ECT)

5.6.7.1 General

The following subclauses describe the MSC Server interworking behaviour related to the ECT service defined in 3GPP TS 24.629 [33] and a UE using CS access domain signalling specified in 3GPP TS 24.091 [32].

5.6.7.2 MSC Server as transferor on behalf of UE

When the MSC Server receives a FACILITY message containing an ECT request from a UE with one answered call in a held state and another call in an answered and active or alerting state as specified in 3GPP TS 24.091 [32], the MSC Server shall build and send a REFER request as specified for a transferor UE in 3GPP TS 24.629 [33].

When the MSC Server receives a NOTIFY request on the REFER dialog, interworking shall be applied based upon the SIP response status-code contained in the "message/sipfrag" message body as follows:

- if status-code 100 Trying is received, no interworking is applied;
- if status-code 200 OK is received, the MSC Server shall send a FACILITY message indicating transfer success to the UE as specified in 3GPP TS 24.091 [32]. The MSC Server shall then initiate clearing of the two calls towards the UE as specified in 3GPP TS 24.091 [32] and initiate clearing of the IM CN subsystem session with the transferee as specified in clause 5.5.4.
- if status-code 503 is received, the MSC Server shall send a FACILITY message with a return error parameter set to "SystemFailure" and leave the two calls from the UE in the conditions they were in prior to the ECT request;
- if any other status-code is received, the MSC Server shall send a FACILITY message with a return error parameter set to "IllegalSS-Operation" and leave the two calls from the UE in the conditions they were in prior to the ECT request.

5.6.7.3 MSC Server as transferee on behalf of UE

5.6.7.3.1 Actions without 3PCC

NOTE 1: CS domain access signalling as specified in 3GPP TS 24.091 [32] does not provide a mechanism to present the transfer request to the transferee for authorization of the transfer. Automatic acceptance and execution of the REFER request by the MSC Server can therefore pose a security risk or have unwanted charging consequences. Acceptance of REFER requests is therefore subject to operator policy, which is outside the scope of the present document.

When the MSC Server receives a REFER request in the context of a call transfer scenario as described in 3GPP TS 24.629 [33] clause 4.5.2.4.1.2.2, the MSC Server may perform the actions specified for a transferee UE in 3GPP TS 24.629 [33].

If the MSC Server does not support accepting REFER requests on behalf of the UE per operator policy, then the MSC Server shall return a 403 (Forbidden) response and depending on operator policy, the MSC Server may insert in the 403 (Forbidden) response a Response-Source header field with an "fe" header field parameter constructed with the URN namespace "urn:3gpp:fe", the "fe-id" part of the URN set to "msc-server" and the "role" header field parameter set to "msc-server-ics" in accordance with subclause 7.2.17 of 3GPP TS 24.229 [2].

If the MSC Server received a non-zero SS screening indicator from the UE as defined in 3GPP TS 24.080 [29], then upon sending the NOTIFY request indicating that the transfer is complete, the MSC Server may send a FACILITY message to the UE as specified in 3GPP TS 24.091 [32]. The MSC Server may include an Rdn parameter set to indicate that the remote party number is not available due to interworking.

NOTE 2: The remote party number, as indicated in the Refer-To header sent by the transferor, is not available to the MSC Server as it is replaced by the transferor AS as specified in 3GPP TS 24.629 [33].

NOTE 3: Depending on the conferencing implementation in the IM CN subsystem (e.g. the manner in which users are invited to a conference), the MSC Server might not be able to distinguish between REFER requests for the ECT service and REFER requests for the conferencing service. In such cases, the MSC Server will not know which SS operation to indicate in the FACILITY message. Handling of this scenario is implementation specific.

5.6.7.3.2 Actions with 3PCC

When 3PCC is used for ECT as specified in 3GPP TS 24.629 [33], no special interworking is required at the MSC Server.

5.6.7.4 MSC Server as transfer target on behalf of UE

When the MSC Server receives an INVITE request which does not replace an existing session (e.g. blind ECT), the MSC Server shall follow the interworking procedures specified in clause 5.4.

When the MSC Server receives an INVITE request which replaces an existing session, the MSC Server shall perform the actions specified for a transfer target UE in 3GPP TS 24.629 [33]. If the MSC Server received a non-zero SS screening indicator as defined in 3GPP TS 24.080 [29], then upon successful session establishment with the transferee the MSC Server shall send a FACILITY message to the UE as specified in 3GPP TS 24.091 [32] with the following interworking applied:

- if a Privacy header with priv-value set to "id" is present, the MSC Server may include an Rdn parameter in the FACILITY message set to indicate presentation restricted as specified in 3GPP TS 24.080 [29];
- if a Privacy header with a priv-value set to "id" is not present in the INVITE request, then:
 - if a P-Asserted-Identity header containing a tel URI or a SIP URI with "user=phone" is present in the INVITE, the MSC Server may include an Rdn parameter in the FACILITY message with a value set to the telephone number contained in this URI;
 - if a P-Asserted-Identity header is present but does not contain a tel URI or a SIP URI with "user=phone", the MSC Server may include an Rdn parameter in the FACILITY message set to indicate the number is not available due to interworking as specified in 3GPP TS 24.080 [29].

5.6.8 Conference (CONF)

5.6.8.1 General

IM CN subsystem CONF functionality at a MSC Server is specified in 3GPP TS 24.292 [7]. The following subclauses describe the MSC Server interworking behaviour related to the CONF service defined in 3GPP TS 24.605 [35] and a UE using CS access domain signalling specified in 3GPP TS 24.084 [34].

5.6.8.2 MSC Server as conference creator

5.6.8.2.1 Conference creation

When the MSC Server receives a BuildMPTY request from a UE with one active call and one held call as described in 3GPP TS 24.084 [34], the MSC Server shall initiate conference creation and invite the remote parties to the conference as described in 3GPP TS 24.292 [7].

NOTE: Conference creation and inviting users to the conference are two distinct actions in the IM CN subsystem. However, in CS access signalling a single message creates the conference and adds the existing calls to the conference.

After receiving NOTIFY requests indicating both remote parties have successfully transferred to the conference, the MSC Server shall send a FACILITY message indicating BuildMPTY success as specified in 3GPP TS 24.084 [34].

If a non-200 final response to the INVITE request which attempts to create the conference is received, the MSC Server shall send a FACILITY message with a return error parameter set to "SystemFailure" and leave the two calls from the UE in the conditions they were in prior to the conference creation request.

5.6.8.2.2 Putting the conference on hold

When the MSC Server receives a HoldMPTY request from a UE with an active conference, the MSC Server shall send an UPDATE or re-INVITE request containing a new SDP offer as described in clause 5.6.3.1.1.

Upon receipt of the SDP answer in a 200 OK response to the UPDATE or re-INVITE request, the MSC Server shall send a FACILITY message indicating success as specified in 3GPP TS 24.084 [34].

If the SDP offer is rejected or a non-200 response is received to the UPDATE or re-INVITE request, the MSC Server shall send a FACILITY message as specified in 3GPP TS 24.084 [34] with a return error parameter set to "SystemFailure".

5.6.8.2.3 Resuming a held conference

When the MSC Server receives a RetrieveMPTY request from a UE with a conference on hold, the MSC Server shall send an UPDATE or re-INVITE request containing a new SDP offer as described in clause 5.6.3.1.2.

Upon receipt of the SDP answer in a 200 OK response to the UPDATE or re-INVITE request, the MSC Server shall send a FACILITY message indicating success as specified in 3GPP TS 24.084 [34].

If the SDP offer is rejected or a non-200 response is received to the UPDATE or re-INVITE request, the MSC Server shall send a FACILITY message with a return error parameter set to "SystemFailure".

5.6.8.2.4 Adding a party to the conference

When the MSC Server receives a BuildMPTY from a UE with a conference on hold and separate active or waiting call as described in 3GPP TS 24.084 [34], the MSC Server shall:

- invite the remote party to the conference as described in 3GPP TS 24.292 [7]; and
- send an UPDATE or re-INVITE request to resume the held conference as described in clause 5.6.3.1.2.

5.6.8.2.5 Terminating the conference or disconnecting a party from the conference

When the MSC Server receives a DISCONNECT message from a UE with an established conference, with a transaction identifier corresponding to a specific remote party, the MSC Server shall start a conference termination specific timer. While the timer is running, MSC Server shall collect potential further DISCONNECT messages from the UE, with valid transaction identifiers, corresponding to other remote parties. These additional DISCONNECT messages shall not trigger starting a new timer and shall not restart the timer.

NOTE 1: The value for the conference termination timer is implementation specific. The timer has to be long enough to allow that the UE encodes and transmits all the DISCONNECT messages to the MSC Server but it should be kept short so that the DISCONNECT messages used for disconnecting a single conference participant are not delayed too long. A value around 1 sec is seen as satisfactory.

When the timer expires, MSC Server shall examine, whether it has received a DISCONNECT message corresponding to all remote parties that have been participants of the established conference and depending on that shall act as follows:

- If a DISCONNECT messages has been received for each participant, the MSC Server shall send a BYE request to the conference-URI.

NOTE 2: A complete set of DISCONNECT messages is interpreted as request to terminate the established conference. The BYE request will lead to a termination of the conference by the conference focus, after removal all the participants, as described in 3GPP TS 24.147 [36], clause 5.3.2.7.

- Otherwise, the MSC Server shall generate a separate REFER request for each DISCONNECT message to remove the corresponding party/parties from the conference as specified in 3GPP TS 24.147 [36] clause 5.3.1.6.3, with the Refer-To header of the REFER request set to the address of the conference participant being removed and also containing a "method" URI parameter set to "BYE". If the address of the conference participant being removed is a tel URI, the MSC server shall convert the tel URI to a SIP URI and shall set the host portion of the SIP URI to the home network domain name defined for IMS centralized services in 3GPP TS 23.003 [10].

NOTE 3: The MSC Server thus treats the DISCONNECT message(s) received before timer expiry as the user's request for disconnecting the party/parties belonging to the received transaction identity/identities.

5.6.8.2.6 Receipt of a SplitMPTY message

When the MSC Server receives a SplitMPTY request from the UE, the MSC Server shall send a FACILITY message with a return error parameter set to "ss-NotAvailable".

5.6.8.2.7 Remote party disconnects from the conference

When the MSC Server receives a SIP NOTIFY request from a conference focus indicating that a specific remote party has disconnected from the conference, the MSC Server shall send a CC DISCONNECT message to the UE, with a transaction identifier corresponding to the specific remote party.

5.6.8.3 MSC Server as conference participant

5.6.8.3.1 Receipt of invitation to conference

5.6.8.3.1.1 General

The methods by which the MSC Server, on behalf of the UE, can be invited to a conference are described in 3GPP TS 24.605 [35] clause 4.5.2.1.2 and 3GPP TS 24.147 [36] clause 5.3.1.5.

5.6.8.3.1.2 Receipt of REFER within a dialog

Upon receipt of a REFER request within a dialog, the MSC Server shall act as a transferee on behalf of the UE as specified in clause 5.6.7.3.1.

NOTE 1: If the Refer-To header of the REFER request contains a conference URI, this will result in the user joining a conference.

NOTE 2: CS domain access signalling as specified in 3GPP TS 24.091 [32] does not provide a mechanism to present the transfer request to the transferee for authorization of the transfer. Automatic acceptance and execution of the REFER request by the MSC Server can therefore pose a security risk or have unwanted charging consequences. Acceptance of REFER requests is therefore subject to operator policy, which is outside the scope of the present document.

5.6.8.3.1.3 Receipt of REFER outside a dialog

If the MSC Server does not support accepting REFER requests on behalf of the UE per operator policy, then the MSC Server shall return a 403 Forbidden response.

Support for the MSC Server, on behalf of a UE, joining a conference in this manner requires that the MSC Server shall:

- initiate a terminating call leg toward the UE in accordance with 3GPP TS 24.008 [3]; and

NOTE: If the user is involved in a call, then the call waiting procedures described in 3GPP TS 24.008 [3] and 3GPP TS 24.083 [26] apply.

- initiate an originating call toward the URI identified in the Refer-To header (e.g. the conference URI); and
- combine these two call legs into a single call.

Support for this method of joining a conference may be provided as an implementation option but is outside the scope of the present document.

5.6.8.3.1.4 Receipt of INVITE

NOTE: Clause 5.4.2 contains general applicable procedures executed upon receipt of an initial INVITE request.

If an INVITE request is received, the MSC Server shall act as follows:

- if the user is idle, the MSC Server shall act according to the mobile terminating call set up procedures specified in clause 5.4;
- if the user is engaged in an established SIP dialog and the INVITE request contains a Replaces header field corresponding to the established dialog, the MSC Server act as a transfer target on behalf of the UE as specified in clause 5.6.7.4; or

- if the user is engaged in an established SIP dialog and the INVITE request does not contain a Replaces header field corresponding to the established dialog, the MSC Server shall follow the communication waiting procedures described in clause 5.6.4.1.

5.6.8.3.2 Notification of conference invocation

If the MSC Server received a non-zero SS screening indicator from the UE as defined in 3GPP TS 24.080 [29], then upon joining a conference on behalf of a UE, the MSC Server may send a FACILITY message to the UE indicating a multiparty call has been invoked as specified in 3GPP TS 24.084 [34].

NOTE: If the MSC Server was invited to the conference via reception of a REFER request as specified in 3GPP TS 24.147 [36] clause 5.3.1.5.2, the MSC Server is not able to distinguish between REFER requests for the conferencing service and REFER requests for the ECT service. In such cases, the MSC Server will not know which SS operation to indicate in the FACILITY message. Handling of this scenario is implementation specific.

5.6.9 Customized Alerting Tones (CAT)

5.6.9.1 General

The following subclauses describe the MSC Server interworking behaviour related to the Customized Alerting Tones (CAT) services defined in 3GPP TS 24.182 [51].

Based on operator options, one of three different models described in 3GPP TS 24.182 [51] is used in an IM CN subsystem to provide the CAT service. The CAT interworking procedures at the MSC server differ between these models and are described separately for each model in the subsequent sub-clauses. Support of the interworking procedures for each of those models is optional.

No special interworking procedures for the CAT service when MSC server receive a terminating request from IMS network are required.

5.6.9.2 Early session model

5.6.9.2.1 Originating request

If the MSC server supports early-session as a network option, upon receiving an incoming SETUP message, before the MSC server sending the generated SIP INVITE request as described in clause 5.3.3, it shall include the option tag "early-session", as defined in IETF RFC 3959 [50], in Supported header field.

After receiving the first SIP 18x response including an early-session SDP, the MSC server shall send the ALERTING message as described in 3GPP TS 24.008 [3], then the MSC server shall follow the same procedure as described for MGCF in 3GPP TS 29.163 [46] clause 7.5.13 to negotiate with IMS side for early-session and normal session establishment.

5.6.9.3 Forking model

Interworking at MSC server follows the basic call interworking procedures. Support of the P-Early-Media header field and related procedures as described in clause 5.3.4a and clause 5.3.4b are required in addition.

5.6.9.4 Gateway model

Interworking at MSC server follows the basic call interworking procedures. Support of the P-Early-Media header field and related procedures as described in clause 5.3.4a and clause 5.3.4b are required in addition.

5.6.10 Communication Completion Services (CCBS/CCNL/CCNR)

5.6.10.1 General

The following subclauses describe the MSC Server interworking behaviour related to the Communication Completion services defined in 3GPP TS 24.642 [52] and a UE using CS access domain signalling specified in 3GPP TS 24.093 [53].

5.6.10.2 Communication Completion Terminated at Served User

When the Served User is the terminating user, no special interworking is required at the MSC Server.

5.6.10.3 Communication Completion Originated at Served User

5.6.10.3.1 Actions without 3PCC

When the MSC Server receives a CC Recall as a REFER request as described in 3GPP TS 24.642 [52] clause 4.5.4.2.3.1, the MSC Server may assign a CCBS Index to this recall if not already done, and may perform the CC Recall procedures as specified by 3GPP TS 24.093 [53]. When the SETUP message is received, normal call handling continues.

If the MSC Server does not support accepting REFER requests on behalf of the UE per operator policy, then the MSC Server shall return a 403 Forbidden response.

5.6.10.3.2 Actions with 3PCC

When 3PCC is used for CCBS/CCNL/CCNR as specified in 3GPP TS 24.642 [52], no special interworking is required at the MSC Server.

5.7 Supplementary Service Configuration

5.7.1 General

The MSC Server may support the interworking between call independent supplementary service signalling described in 3GPP TS 24.010 [41] and the XCAP application usage for manipulating supplementary services data described in 3GPP TS 24.623 [42]. This MSC Server may support this interworking for any subset of the supplementary services within the scope of the present document. This interworking shall only be performed for the TS11 service code. If the MSC Server interworks a supplementary service invoke operation received via NAS signalling to the IM CN subsystem, the MSC Server shall not also transfer the received information to the VLR as described in 3GPP TS 29.002 [20]. This interworking is defined in the following subclauses.

NOTE: This interworking is subject to the limitations inherited by the NAS signalling procedures defined for each supplementary service. For example, if no NAS signalling procedure is defined for registration, erasure, activation, deactivation or interrogation of a particular supplementary service that is being controlled by the IM CN subsystem, then no interworking procedure is defined.

5.7.2 Receipt of REGISTER message

Upon receipt of a REGISTER message for a supplementary service whose interworking is within the scope of the present document, the MSC Server shall generate the appropriate HTTP request according to table 5.7.2.1 if supplementary service configuration interworking for that supplementary service is supported by the MSC Server.

Table 5.7.2.1: Mapping REGISTER / FACILITY to HTTP request

Invoke operation in the REGISTER message	HTTP request
RegisterSS	PUT

Invoke operation in the REGISTER message	HTTP request
ActivateSS	PUT
DeactivateSS	PUT
InterrogateSS	GET
EraseSS	PUT

NOTE: Not all invoke operations are valid for all supplementary services. Interworking definitions for each supplementary service are only provided for invoke operations explicitly defined for each supplementary service.

The interworking of message contents for each supplementary service is described in clause 5.7.4.

5.7.3 Receipt of HTTP response

Upon receipt of an HTTP response to a previously sent HTTP request as described in clause 5.7.2, the MSC Server shall terminate the appropriate service interaction by sending a RELEASE COMPLETE message. The interworking of message contents for each supplementary service is described in clause 5.7.4.

5.7.4 Service data interworking

5.7.4.1 Originating identification presentation/restriction (OIP/OIR)

5.7.4.1.1 Registration/erasure

The OIP/OIR services require no registration. Erasure is not applicable.

5.7.4.1.2 Activation/deactivation

The OIP/OIR services are activated at provisioning and deactivated at withdrawal and therefore require no interworking at the MSC Server.

5.7.4.1.3 Interrogation

If the MSC Server supports supplementary service configuration interworking for the OIP/OIR services, the interworking procedures in this clause shall be applied.

When the MSC Server receives a REGISTER message with an InterrogateSS invoke operation for the CLIP or CLIR supplementary service code as described in 3GPP TS 24.081 [12], the MSC Server shall generate and send an HTTP GET request to fetch the instance of the Originating Identity document as specified in 3GPP TS 24.623 [42].

Upon receiving a response to the HTTP GET request, the MSC Server shall apply the following interworking:

- If a 200 OK response is received which includes an Originating Identity document as defined in 3GPP TS 24.607 [43], the MSC Server shall send a RELEASE COMPLETE message as follows:
 - If the Originating Identity document indicates the interrogated service (CLIP/OIP or CLIR/OIR) is active, the MSC Server shall indicate an SS-Status of provisioned and active; or
 - If the Originating Identity document indicates the interrogated service (CLIP/OIP or CLIR/OIR) service is not active, the MSC Server shall indicate an SS-Status of provisioned but not active;
 - If the CLIR/OIR service was interrogated, then the following additional interworking shall be applied:
 - If there is a "default-behaviour" attribute included and set to "presentation-restricted" in the Originating Identity document, the MSC Server shall set the CLI Restriction Option parameter to indicate Temporary (Default Restricted);

- If there is a "default-behaviour" attribute included and set to "presentation-not-restricted" in the Originating Identity document the MSC Server shall set the CLI Restriction Option parameter to Temporary (Default Allowed);
- If a non 200 OK response is received or if a 200 OK response is received which does not include an Originating Identity document, the MSC Server shall send a RELEASE COMPLETE message with an implementation-specific error code.

5.7.4.2 Terminating identification presentation/restriction (TIP/TIR)

5.7.4.2.1 Registration/erasure

The TIP/TIR services require no registration. Erasure is not applicable.

5.7.4.2.2 Activation/deactivation

The TIP/TIR services are activated at provisioning and deactivated at withdrawal and therefore require no interworking at the MSC Server.

5.7.4.2.3 Interrogation

If the MSC Server supports supplementary service configuration interworking for the TIP/TIR services, the interworking procedures in this clause shall be applied.

When the MSC Server receives a REGISTER message with an InterrogateSS invoke operation for the COLP or COLR supplementary service code as described in 3GPP TS 24.081 [12], the MSC Server shall generate an HTTP GET request to fetch the instance of the Terminating Identity document as specified in 3GPP TS 24.623 [42].

Upon receiving a response to the HTTP GET request, the MSC Server shall apply the following interworking:

- If a 200 OK response is received which includes a Terminating Identity document as defined in 3GPP TS 24.608 [14], the MSC Server shall send a RELEASE COMPLETE message as follows:
 - If the Terminating Identity document indicates the interrogated service (COLP/TIP or COLR/TIR) is active, the MSC Server shall indicate an SS-Status of provisioned and active; or
 - If the Terminating Identity document indicates the interrogated service (COLP/TIP or COLR/TIR) service is not active, the MSC Server shall indicate an SS-Status of provisioned but not active;

NOTE: CS signalling defined in 3GPP TS 24.081 [12] does not allow for the temporary mode status of the COLR service to be sent to the UE.

- If a non 200 OK response is received or if a 200 OK response is received which does not include a Terminating Identity document, the MSC Server shall send a RELEASE COMPLETE message with an implementation-specific error code.

5.7.4.3 Communication Hold (HOLD)

Configuration of the HOLD service involves no signalling and therefore requires no interworking at the MSC Server.

5.7.4.4 Communication Waiting (CW)

5.7.4.4.1 Registration/erasure

The CW service requires no registration. Erasure is not applicable.

5.7.4.4.2 Activation/deactivation

If the MSC Server supports supplementary service configuration interworking for the CW service, the interworking procedures in this clause shall be applied.

When the MSC Server receives a REGISTER message with an ActivateSS or DeactivateSS invoke operation for the CW supplementary service code as described in 3GPP TS 24.083 [26], the MSC Server shall include an instance of the call waiting document described in 3GPP TS 24.615 [44] in the HTTP PUT request as follows:

- If the invoke operation is ActivateSS, the MSC Server shall set the "active" attribute to "true";
- If the invoke operation is DeactivateSS, the MSC Server shall set the "active" attribute to "false".

5.7.4.4.3 Interrogation

If the MSC Sever supports supplementary service configuration interworking for the CW service, the interworking procedures in this clause shall be applied.

When the MSC Server receives a REGISTER message with an InterrogateSS invoke operation for the CW supplementary service code as described in 3GPP TS 24.083 [26], the MSC Server shall generate and send an HTTP GET request to fetch the instance of the call waiting document as specified in 3GPP TS 24.623 [42].

When a response to the HTTP GET request is received, the MSC Server shall apply the following interworking:

- If a 200 OK is received which includes a call waiting document as defined in 3GPP TS 24.615 [44], the MSC Server shall send a RELEASE COMPLETE message as follows:
 - If the call waiting document includes an "active" attribute set to "true", the MSC Server shall indicate an SS-Status of provisioned and active;
 - If the call waiting document includes an "active" attribute set to "false", the MSC Server shall indicate an SS-Status of provisioned but not active;
- If a non 200 OK response is received or if a 200 OK response is received which does not include a call waiting document, the MSC Server shall send a RELEASE COMPLETE message with an implementation-specific error code.

5.7.4.5 Communication Barring (CB)

5.7.4.5.1 Registration/erasure

If the user has the subscription option "control of barring services" set to "by subscriber using a password" a password is registered at provisioning time and the UE can change the registered password at any later time using the procedures in this subclause.

When the MSC Server receives a REGISTER message with an invoke component of the operation "register password" as specified in 3GPP TS 24.010 [41], the MSC Server enhanced for ICS first sends a FACILITY message towards the UE with an invoke component of the operation "get password". After receiving a FACILITY message from the UE with a return result component including a password, the MSC Server enhanced for ICS shall use this password to perform a password check procedure by sending an HTTP POST request towards the XCAP server as specified in 3GPP TS 24.623 [42].

Upon receiving an HTTP 200 (OK) response to the password check request as above, the MSC Server enhanced for ICS requests the new password from the UE as specified in 3GPP TS 24.010 [41] by sending a FACILITY message towards the UE with an invoke component of the operation "get password". When the UE returns the password the MSC Server enhanced for ICS requests the new password again. After receiving the password again, the MSC Server enhanced for ICS compares the two passwords, and if they are equal, registers the new password by performing the password change procedure as specified in 3GPP TS 24.623 [42].

Upon receiving the HTTP 200 (OK) response to the password change request as above, the MSC Server enhanced for ICS sends a Release Complete with the return result component of the operation "register password" as specified in 3GPP TS 24.010 [41].

Error responses towards the UE are sent as specified in 3GPP TS 24.010 [41].

Erasure of the CB service is not specified for NAS signalling in 3GPP TS 24.088 [30], therefore interworking procedures for service erasure are not applicable.

5.7.4.5.2 Activation/deactivation

When the MSC Server receives a REGISTER message with an ActivateSS or DeactivateSS invoke operation for any call barring supplementary service code as described in 3GPP TS 24.088 [30], the MSC Server shall perform the password procedure as specified in 3GPP TS 24.088 [30], and store the received password for later mapping to the password portion of the SIP URI in the XCAP user identity as specified in 3GPP TS 24.623 [42]. The MSC Server shall then perform an interrogation as specified in 3GPP TS 24.611 [31] of either the <incoming-communication-barring> element or the <outgoing-communication-barring> element depending on whether the received supplementary service code indicated an incoming or an outgoing barring service.

To perform the interrogation the MSC Server populates the HTTP GET request as specified in 3GPP TS 24.623 [42]. If the result of the interrogation is that the user is not provisioned with the service indicated in the received REGISTER message, the MSC Server sends an appropriate error response.

If the result of the interrogation is that the user is provisioned with the supplementary service indicated in the REGISTER request, and the activation status is different than the desired status, the MSC Server sends an HTTP PUT request as specified in 3GPP TS 24.623 [42] including the following rule:

- 1) If the invoke operation is ActivateSS, the MSC Server shall set the "active" attribute to "true":
 - a) If the supplementary service code is BAOB the MSC Server shall include an <outgoing-communication-barring> element including barring rule where the condition element is empty or no condition element is included, and not include the <rule-deactivated> element, as defined in 3GPP TS 24.611 [31].
 - b) If the supplementary service code is BOIC the MSC Server shall include an <outgoing-communication-barring> element including a barring rule for the international condition, and not include the <rule-deactivated> element, as defined in 3GPP TS 24.611 [31].
 - c) If the supplementary service code is BOIC-exHC excluding home the MSC Server shall include an <outgoing-communication-barring> element including a barring rule for the international-exHC condition, and not include the <rule-deactivated> element, as defined in 3GPP TS 24.611 [31].
 - d) If the supplementary service code is BAIC the MSC Server shall include an <incoming-communication-barring> element including a barring rule where the condition element is empty or no condition element is included, and not include the <rule-deactivated> element, as defined in 3GPP TS 24.611 [31].
 - e) If the supplementary service code is BIC-Roam the MSC Server shall include an <incoming-communication-barring> element including a barring rule for the roaming condition, and not include the <rule-deactivated> element, as defined in 3GPP TS 24.611 [31].
- 2) If the invoke operation is DeactivateSS:
 - a) If the supplementary service code is BAOB the MSC Server shall include an <outgoing-communication-barring> element including barring rule where the condition element is empty or no condition element is included, as defined in 3GPP TS 24.611 [31]. In addition, the MSC server shall in the condition element add a <rule-deactivated> element.
 - b) If the supplementary service code is BOIC the MSC Server shall include an <outgoing-communication-barring> element including a barring rule for the international condition, as defined in 3GPP TS 24.611 [31]. In addition, the MSC server shall in the condition element add a <rule-deactivated> element.
 - c) If the supplementary service code is BOIC-exHC excluding home the MSC Server shall include an <outgoing-communication-barring> element including a barring rule for the international-exHC condition, as defined in 3GPP TS 24.611 [31]. In addition, the MSC server shall in the condition element add a <rule-deactivated> element.
 - d) If the supplementary service code is BAIC the MSC Server shall include an <incoming-communication-barring> element including a barring rule where the condition element is empty or no condition element is included, as defined in 3GPP TS 24.611 [31]. In addition, the MSC server shall in the condition element add a <rule-deactivated> element.
 - e) If the supplementary service code is BIC-Roam the MSC Server shall include an <incoming-communication-barring> element including a barring rule for the roaming condition, as defined in 3GPP TS 24.611 [31]. In addition, the MSC server shall in the condition element add a <rule-deactivated> element.

5.7.4.5.3 Interrogation

If the MSC Server supports supplementary service configuration interworking for the CB service, the interworking procedures in this clause shall be applied.

When the MSC Server receives a REGISTER message with an InterrogateSS invoke operation for the BAOC, BAIC, BOIC, BOIC-exHC or BIC-Roam supplementary service code as described in 3GPP TS 24.088 [30], the MSC Server shall generate and send an HTTP GET request to fetch the instance of the Communication Barring document as specified in 3GPP TS 24.623 [42].

When a response to the HTTP GET request is received, the MSC Server shall apply the following interworking:

- 1) If an HTTP 200 (OK) response is received which includes a Communication Barring document as defined in 3GPP TS 24.611 [31], the MSC Server shall send a RELEASE COMPLETE message as follows:
 - If the Communication Barring document indicates the call barring service being interrogated is active, the MSC Server shall include a BasicServiceCode set to the TS11 service code;
 - If the Communication Barring document indicates the call barring service being interrogated is not active, the MSC Server shall include an SS-Status of deactivated;
- 2) If an HTTP non 200 (OK) response is received or if an HTTP 200 OK response is received which does not include a Communication Barring document, the MSC Server shall send a RELEASE COMPLETE message with an implementation-specific error code.

5.7.4.6 Communication Diversion (CDIV)

5.7.4.6.1 Registration

If the MSC Server supports supplementary service configuration interworking for the CDIV service, the interworking procedures in this clause shall be applied.

When the MSC Server receives a REGISTER message with a RegisterSS invoke operation for a supplementary service code listed below, the MSC Server shall include Communication Diversion document as described in 3GPP TS 24.604 [23] in the HTTP PUT request as follows:

- The MSC Server shall set the active attribute to "true";
- If the supplementary service code is CFU as described in 3GPP TS 24.082 [24], the MSC Server shall include a forwarding rule where the condition element is empty or no condition element is included, as defined in 3GPP TS 24.604 [23];;
- If the supplementary service code is CFB as described in 3GPP TS 24.082 [24], the MSC Server shall include a forwarding rule for the busy condition defined in 3GPP TS 24.604 [23];
- If the supplementary service code is CFNRy as described in 3GPP TS 24.082 [24], the MSC Server shall include a forwarding rule for the no-answer condition defined in 3GPP TS 24.604 [23];
- If the supplementary service code is CFNRc as described in 3GPP TS 24.082 [24], the MSC Server shall include a forwarding rule for the not-reachable condition defined in 3GPP TS 24.604 [23];
- The MSC Server shall include a "target" element set to the TEL URI representation of the ForwardedToNumber parameter received in the REGISTER message. The TEL URI shall be constructed as described in clause 5.3.3.2.

NOTE: The Communication Diversion document described in 3GPP TS 24.604 [23] defines XML elements which have no functional equivalent in the service configuration signalling defined in 3GPP TS 24.082 [24]. The inclusion of these elements and the values assigned to them is subject to operator policy.

The MSC Server shall store a copy of the Communication Diversion document until the HTTP PUT response is received and processed.

When a response to the HTTP PUT request is received, the MSC Server shall apply the following interworking:

- If a 200 OK is received, the MSC Server shall send a RELEASE COMPLETE message as follows:

- The MSC Server shall indicate an SS-Status of provisioned and active;
- The MSC Server shall set the ForwardedToNumber parameter to the "target" element in the stored Communication Diversion document.
- If a non 200 OK response is received or if a 200 OK response is received which does not include a Communication Diversion document, the MSC Server shall send a RELEASE COMPLETE message with an implementation-specific error code.

5.7.4.6.1a Erasure

If the MSC Server supports supplementary service configuration interworking for the CDIV service, the interworking procedures in this clause shall be applied.

When the MSC Server receives a REGISTER message with an EraseSS invoke operation for a supplementary service listed below, the MSC Server shall first fetch the instance of the Communication Diversion document as described in clause 5.7.4.6.3. If the MSC Server is unable to fetch the Communication Diversion document, the MSC Server shall send a RELEASE COMPLETE message with an implementation-specific error code.

The MSC Server shall then include the Communication Diversion document as described in 3GPP TS 24.604 [23] in an HTTP PUT request, modified as follows:

- If the supplementary service code is CFU, the MSC Server shall remove the forwarding rule with an empty condition element or no condition element included, if present;
- If the supplementary service code is CFB, the MSC Server shall remove the forwarding rule for the busy condition defined in 3GPP TS 24.604 [23], if present;
- If the supplementary service code is CFNRy, the MSC Server shall remove the forwarding rule for the no-answer condition defined in 3GPP TS 24.604 [23], if present;
- If the supplementary service code is CFNRc, the MSC Server shall remove the forwarding rule for the not-reachable condition defined in 3GPP TS 24.604 [23], if present;
- If the supplementary service code is "all forwarding SS", the MSC Server shall remove all forwarding rules described above.

When a response to the HTTP PUT request is received, the MSC Server shall apply the following interworking:

- If a 200 OK is received, the MSC Server shall send a RELEASE COMPLETE message as follows:
 - If an SS-Status parameter is required as specified in 3GPP TS 24.082 [24] clause 1.3.1, the MSC Server shall indicate an SS-Status of not active;
- If a non 200 OK response is received or if a 200 OK response is received which does not include a Communication Diversion document, the MSC Server shall send a RELEASE COMPLETE message with an implementation-specific error code.

5.7.4.6.2 Activation/deactivation

If the MSC Sever supports supplementary service configuration interworking for the CDIV service, the interworking procedures in this clause shall be applied.

When the MSC Server receives a REGISTER message with an ActivateSS or DeactivateSS invoke operation for the CFU, CFB, CFNRy or CFNRc supplementary service code as described in 3GPP TS 24.082 [24], the MSC Server shall include a Communication Diversion document as described in 3GPP TS 24.604 [23] in the HTTP PUT request as follows:

- If the invoke operation is ActivateSS, the MSC Server shall set the "active" attribute to "true";
- If the invoke operation is DeactivateSS, the MSC Server shall set the "active" attribute to "false";
- If the supplementary service code is CFU as described in 3GPP TS 24.082 [24], the MSC Server shall include a forwarding rule with an empty condition element or no condition element included;

- If the supplementary service code is CFB as described in 3GPP TS 24.082 [24], the MSC Server shall include a forwarding rule for the busy condition defined in 3GPP TS 24.604 [23];
- If the supplementary service code is CFNRy as described in 3GPP TS 24.082 [24], the MSC Server shall include a forwarding rule for the no-answer condition defined in 3GPP TS 24.604 [23];
- If the supplementary service code is CFNRc as described in 3GPP TS 24.082 [24], the MSC Server shall include a forwarding rule for the not-reachable condition defined in 3GPP TS 24.604 [23];

NOTE: The Communication Diversion document described in 3GPP TS 24.604 [23] defines XML elements which have no functional equivalent in the service configuration signalling defined in 3GPP TS 24.082 [24]. The inclusion of these elements and the values assigned to them is subject to operator policy.

The MSC Server shall store a copy of the Communication Diversion document until the HTTP PUT response is received and processed.

When a response to the HTTP PUT request is received, the MSC Server shall apply the following interworking:

- If a 200 OK is received, the MSC Server shall send a RELEASE COMPLETE message as follows:
 - If the "active" attribute in the stored Communication Diversion document is set to "true", the MSC Server shall indicate an SS-Status of provisioned and active;
 - If the "active" attribute in the stored Communication Diversion document is set to "false", the MSC Server shall indicate an SS-Status of provisioned but not active;
- If a non 200 OK response is received or if a 200 OK response is received which does not include a Communication Diversion document, the MSC Server shall send a RELEASE COMPLETE message with an implementation-specific error code.

5.7.4.6.3 Interrogation

If the MSC Server supports supplementary service configuration interworking for the CDIV service, the interworking procedures in this clause shall be applied.

When the MSC Server receives a REGISTER message with an InterrogateSS invoke operation for the CFU, CFB, CFNRy or CFNRc supplementary service code as described in 3GPP TS 24.082 [24], the MSC Server shall generate and send an HTTP GET request to fetch the instance of the Communication Diversion document as specified in 3GPP TS 24.604 [23].

When a response to the HTTP GET request is received, the MSC Server shall apply the following interworking:

- If a 200 OK is received which includes a Communication Diversion document as defined in 3GPP TS 24.604 [23], the MSC Server shall send a RELEASE COMPLETE message as follows:
 - If the Communication Diversion document indicates the call forwarding service being interrogated is active, the MSC Server shall indicate an SS-Status of provisioned and active;
 - If the Communication Diversion document indicates the call forwarding service being interrogated is not active, the MSC Server shall indicate an SS-Status of provisioned but not active;
 - If the Communication Diversion document contains a "target" attribute containing a TEL URI, the MSC Server shall set the ForwardedToNumber parameter to the TEL URI.
- If a non 200 OK response is received or if a 200 OK response is received which does not include a Communication Diversion document, the MSC Server shall send a RELEASE COMPLETE message with an implementation-specific error code.

5.7.4.7 Explicit Communication Transfer (ECT)

Configuration of the ECT service involves no signalling and therefore requires no interworking at the MSC Server.

5.7.4.8 Conference (CONF)

Configuration of the CONF service involves no signalling and therefore requires no interworking at the MSC Server.

5.7.4.9 Communication Completion Services (CCBS/CCNL/CCNR)

5.7.4.9.1 Activation/deactivation

Activation in the IMS network as specified in 3GPP TS 24.642 [52] is performed using announcement procedures and inband interaction and no special interworking is needed.

If the MSC Server supports interworking of deactivating all outstanding CCBS requests, the MSC Server shall upon receipt of a REGISTER message with a Deactivate all CCBS Requests Invoke operation revoke all outstanding CCBS requests using the methods in 3GPP TS 24.642 [52].

If the MSC receives a REGISTER message with a Deactivate specific CCBS Request the MSC Server shall if no interworking is supported respond with a RELEASE COMPLETE message with an implementation specific error code.

5.7.4.9.2 Interrogation

If the MSC Sever supports supplementary service configuration interworking for the CCBS service, the interworking procedures in this clause shall be applied.

When the MSC Server receives a REGISTER message with an InterrogateSS invoke operation for the CCBS supplementary service code as described in 3GPP TS 24.093 [53], the MSC Server shall generate and send an HTTP GET request to fetch the instance of the Communication Completion document as specified in 3GPP TS 24.642 [52].

When an HTTP 200 OK response is received which includes a Communication Completion document as defined in 3GPP TS 24.642 [52], the MSC Server shall:

- 1) if the Communication Completion document indicates the call forwarding service being interrogated is active generate an HTTP GET request to fetch an instance of the Communication Completion Request Records document as defined in 3GPP TS 24.642 [52];

when a response to the HTTP GET request is received the MSC server shall:

- a) if an HTTP 200 OK is received which includes a Communication Completion Request Records document as defined in 3GPP TS 24.642 [52] where there is one or more instances of the "cc-entry" element, assign to each of these elements a CCBS Index and send a RELEASE COMPLETE message indicating an SS-Status of provisioned and include the list of outstanding CCBS requests; and
 - b) if an HTTP non 200 OK response is received or if there are no instances of the "cc-entry" element, send a RELEASE COMPLETE message indicating an SS-status set to "provisioned", but there are no outstanding requests; and
- 2) if the Communication Completion document indicates the communication completion service being interrogated is not active, send a RELEASE COMPLETE message indicating an SS-Status of not provisioned.

When an HTTP non 200 OK response is received or if an HTTP 200 OK response is received which does not include a Communication Completion document, the MSC Server shall send a RELEASE COMPLETE message with an implementation-specific error code.

5.8 Handover / Relocation

5.8.1 Intra-MSC Handover/Relocation

The MSC Server applies the procedures specified in 3GPP TS 23.009 [37] for Intra-MSC handover/relocation in the CS domain. After the handover/relocation is completed, the MSC Server shall process the interworking between the NAS signalling with the SIP signalling as specified in sub-clauses 5.3 through 5.6.

5.8.2 Inter-MSC Handover/Relocation

The MSC Server applies the procedures specified in 3GPP TS 23.009 [37] for Inter-MSC handover/relocation in the CS domain. After the handover/relocation is completed, the anchor MSC Server shall process the interworking between the NAS signalling with the SIP signalling as specified in sub-clauses 5.3 through 5.6. The NAS signalling contained in the MAP messages is passed between the anchored MSC Server and the target MSC Server through the E interface as specified in 3GPP TS 29.002 [20].

6 User plane interworking

6.1 General

The following subclauses define the interworking performed by the CS-MGW between the IM CN subsystem and CS domain access. The interworking between the Mb reference point and the user plane portions of the IuCS and A reference points is specified.

6.2 IuCS to Mb interworking

6.2.1 Interworking with transcoding

Figure 6.2.1.1 shows the user plane protocol stacks for the IuCS and IM CN subsystem interworking when transcoding is required.

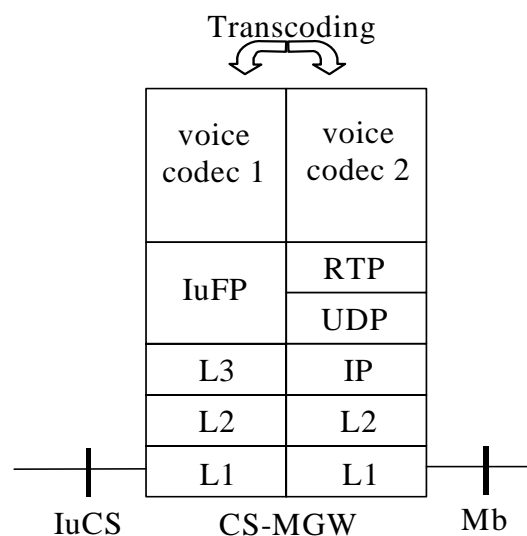


Figure 6.2.1.1: IuCS to Mb protocol stack (transcoding)

IuFP is defined in 3GPP TS 25.415 [16]. IuCS layer 2 and layer 3 are defined in 3GPP TS 25.414 [15]. The IuCS layer 1 is defined in 3GPP TS 25.411 [17].

6.2.2 Transcoder-less interworking

Figure 6.2.2.1 shows the user plane protocol stacks for the interworking when the same codec configuration is used on the IuCS and Mb reference points and transcoding is not required.

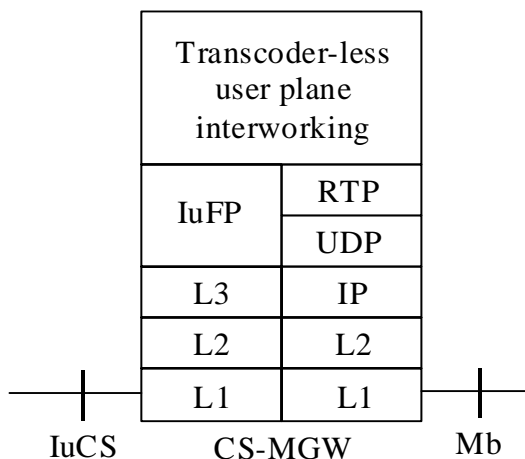


Figure 6.2.2.1: IuCS to Mb protocol stack (no transcoding)

If no transcoder is inserted, the CS-MGW shall interwork procedures between the IuCS and Mb reference points as specified in 3GPP TS 29.414 [18] clause 7.4.

6.3 TDM-based A-interface to Mb interworking

6.3.1 Interworking with transcoding

Figure 6.3.1.1 shows the user plane protocol stacks for the TDM-based A and Mb reference point interworking when transcoding is required.

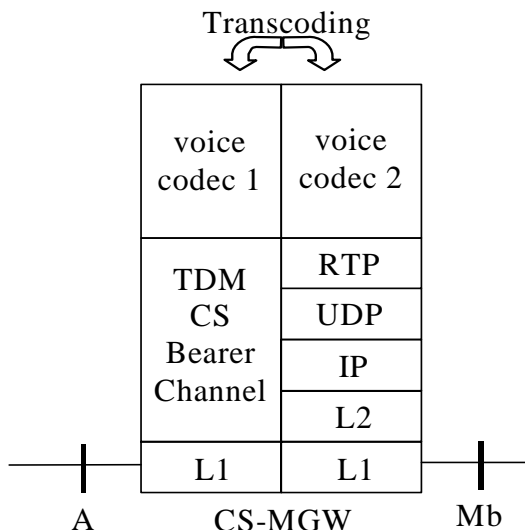


Figure 6.3.1.1: TDM-based A to Mb protocol stack (transcoding)

Layer 1 for the TDM-based A-interface is defined in 3GPP TS 48.004 [19].

6.3.2 Transcoder-less interworking

Figure 6.3.2.1 shows the user plane protocol stacks for the interworking when the same codec is used on the TDM-based A and Mb reference points and transcoding is not required.

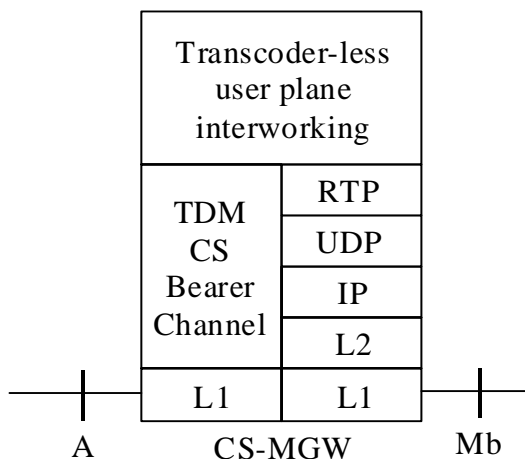


Figure 6.3.2.1: TDM-based A to Mb protocol stack (no transcoding)

6.4 IP-based A-interface to Mb interworking

6.4.1 Interworking with transcoding

Figure 6.4.1.1 shows the user plane protocol stacks for the IP-based A and Mb reference point interworking when transcoding is required.

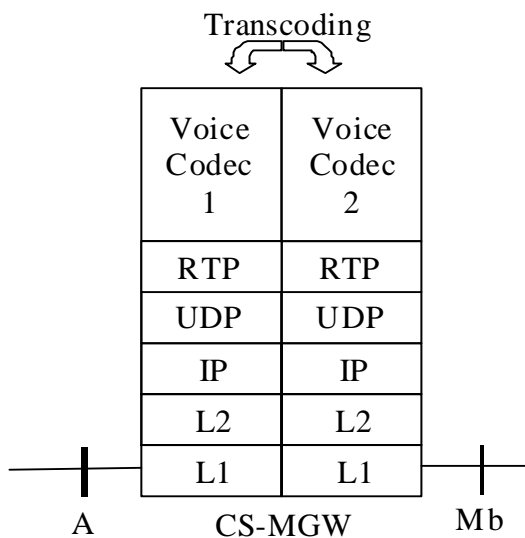


Figure 6.4.1.1: IP-based A to Mb protocol stack (transcoding)

The IP-based A-interface user plane transport is defined in 3GPP TS 48.103 [38].

6.4.2 Transcoder-less interworking

Figure 6.4.2.1 shows the user plane protocol stacks for the interworking when the same codec is used on the IP-based A and Mb reference points and transcoding is not required.

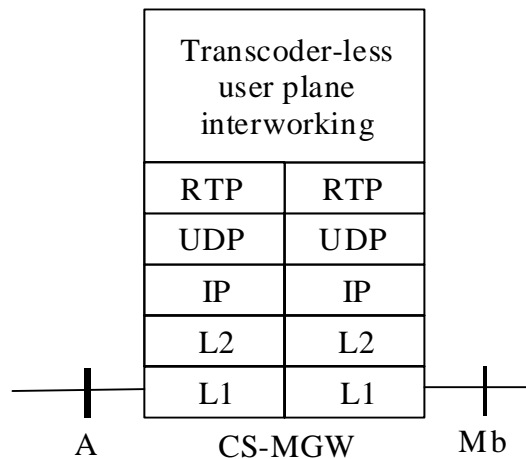


Figure 6.4.2.1: IP-based A to Mb protocol stack (no transcoding)

The IP-based A-interface user plane transport is defined in 3GPP TS 48.103 [38].

7 MSC Server – CS-MGW interaction

7.1 Mobile originated call

7.1.1 CS-MGW selection

The MSC Server shall select a CS-MGW for the bearer connection before it performs the access bearer assignment or the network side connection point reservation.

7.1.2 IMS session side establishment

7.1.2.1 General

The MSC Server shall either select bearer characteristics or request the CS-MGW to select and provide the bearer characteristics for the network side session before sending the INVITE request. The MSC Server shall use the Reserve RTP Connection Point procedure as defined in 3GPP TS 23.205 [39] and in 3GPP TS 29.232 [11], with additional information elements as specified in the present subclause.

Within this procedure, the MSC Server shall indicate the received speech codecs from the UE and the MSC Server may indicate some configured speech codec(s) to the CS-MGW and request a local IP address and UDP port from the CS-MGW and the MSC Server may also indicate that the IP interface type is for MboIP as defined in 3GPP TS 23.205 [39] and in 3GPP TS 29.232 [11], with additional information elements as specified in the present subclause. The local IP address and UDP port are used by the CS-MGW to receive user plane data.

The CS-MGW shall reply to the MSC Server with the selected local speech codec(s) and the selected local IP address and UDP port(s).

After the succeeding node has provided the SDP answer, the MSC Server uses the Configure RTP Resources procedure as defined in 3GPP TS 29.232 [11] to request the CS-MGW to configure the bearer.

7.1.2.2 Additions to Reserve RTP Connection Point Procedure

This procedure is used to reserve an RTP bearer termination. The Reserve RTP Connection Point procedure defined in 3GPP TS 23.205 [39] shall be applied with additional information elements as defined in table 7.1.2.2.1.

Table 7.1.2.2.1: Additions to Reserve RTP Connection Point Procedure

Procedure	Initiated	Information element name	Information element required	Information element description
Reserve RTP Connection Point	(G)MSC-Server	Priority information	O	This information element requests the CS-MGW to apply priority treatment for the terminations and bearer connections in the specified context.
		ECN Enable	O	This information element requests the CS-MGW to apply ECN procedures.
		ECN Initiation Method	C	This information element specifies the ECN Initiation method and requests the CS-MGW to perform IP header settings as an ECN endpoint. It may be included only if ECN is enabled.
		Notify ECN Failure Event	C	This information element requests a notification if an ECN failure occurs. It may only be supplied if ECN is enabled.
		ICE password request	O	This information element is present if MSC Server requests an ICE password.
		ICE Ufrag request	O	This information element is present if MSC Server requests an ICE ufrag.
		ICE host candidate request	O	This information element is present if MSC Server requests an ICE host candidate.
		STUN server request	O	This information element is present if MSC Server requests the CS-MGW to answer STUN connectivity checks for ICE.
		SDPCapNeg configuration	O	This information element provides SDPCapNeg configuration(s) using as "a=acap", "a=tcap", "a=pcfg" and "a=acfg" SDP attributes.
Reserve RTP Connection Point Ack	MGW	ICE password	C	This information element shall be present only if it was contained in the request. It indicates the ICE password assigned by the CS-MGW.
		ICE Ufrag	C	This information element shall be present only if it was contained in the request. It indicates the ICE Ufrag assigned by the CS-MGW.
		ICE host candidate	C	This information element shall be present only if it was contained in the request. It indicates the ICE host candidate assigned by the CS-MGW.
		ICE lite indication	C	This information element shall be present only if an ICE host candidate request was contained in the request, and the CS-MGW supports ICE lite, but not full ICE. It indicates that the CS-MGW only supports ICE lite.
		SDPCapNeg configuration	C	This information element shall be present only if it was contained in the request. It provides SDPCapNeg configuration(s) using as "a=acap", "a=tcap", "a=pcfg" and "a=acfg" SDP attributes.

7.1.2.3 Additions to Configure RTP Connection Point Procedure

This procedure is used to configure or reconfigure an RTP bearer termination. The Configure RTP Connection Point procedure defined in 3GPP TS 23.205 [39] shall be applied with additional information elements as defined in table 7.1.2.3.1.

Table 7.1.2.3.1: Additions to Configure RTP Connection Point Procedure

Procedure	Initiated	Information element name	Information element required	Information element description
Configure RTP Connection Point	(G)MSC-Server	Allowed RTCP APP message types	O	This information element is present if MSC server allows the MGW to send RTCP APP packets of the indicated types defined in TS 26.114 [28]. The MGW shall not send other RTCP APP packets. If the parameter is not supplied, the MGW shall not send any RTCP APP packets.
		ECN Enable	O	This information element requests the CS-MGW to apply ECN procedures.
		ECN Initiation Method	C	This information element specifies the ECN Initiation method and requests the CS-MGW to perform IP header settings as an ECN endpoint. It may be included only if ECN is enabled.
		Notify ECN Failure Event	C	This information element requests a notification if an ECN failure occurs. It may only be supplied if ECN is enabled.
		ICE Connectivity Check	C	This information element requests the CS-MGW to perform ICE connectivity check as defined by IETF RFC 5245 [60]. It is only applicable for full ICE.
		Notify ICE Connectivity Check Result	C	This information element requests a notification of ICE connectivity check result. It is only applicable for full ICE.
		Notify New Peer Reflexive Candidate	C	This information element requests a notification of new peer reflexive candidate was discovered during a connectivity check. It is only applicable for full ICE.
		Additional ICE Connectivity Check	C	This information element requests the CS-MGW to perform additional ICE connectivity check as defined by IETF RFC 5245 [60]. It is only applicable for full ICE.
		ICE received candidate	O	This information element is present if MSC Server indicates a received candidate for ICE.
		ICE received password	O	This information element is present if MSC Server indicates a received password for ICE.
		SDPCapNeg configuration	O	This information element provides SDPCapNeg configuration(s) using as "a=acap", "a=tcap", "a=pcfg" and "a=acfg" SDP attributes.
Configure RTP Connection Point Ack	MGW			

7.1.3 Access bearer establishment

7.1.3.1 General

The way the MSC Server media gateway interaction is carried out depends on the characteristics of the access bearer network.

7.1.3.2 lu interface on IP

The MSC Server and the CS-MGW shall act in accordance with clause 6.1.3 in 3GPP TS 23.205 [39] and apply the coding in accordance with 3GPP TS 29.232 [11].

7.1.3.3 A interface over IP

The MSC Server and the CS-MGW shall act in accordance with clause 6.1.5 in 3GPP TS 23.205 [39] and apply the coding in accordance with 3GPP TS 29.232 [11].

7.1.3.4 A interface over TDM

The MSC Server and the CS-MGW shall act in accordance with clause 6.1.1.4 in 3GPP TS 23.205 [39] and apply the coding in accordance with 3GPP TS 29.232 [11].

7.1.3.5 lu over UTRAN and GERAN

The MSC Server and the CS-MGW shall act in accordance with clause 6.1.1.4 in 3GPP TS 23.205 [39] and apply the coding in accordance with 3GPP TS 29.232 [11].

7.1.4 Apply ringing tone

If the condition as defined in clause 5.3.5 is fulfilled the MSC Server shall instruct the CS-MGW to send ringing tone towards the calling party. In this case the MSC Server shall use the Send Tone procedure in accordance with 3GPP TS 23.205 [39] and 3GPP TS 29.232 [11].

If the MSC Server wishes to stop sending the ringing tone e.g. due to the receipt of a 200 OK response to the INVITE request the MSC Server shall apply the Stop Tone procedure as defined in 3GPP TS 23.205 [39] and 3GPP TS 29.232 [11].

7.1.5 Through connection

If the MSC Server wants to configure the CS-MGW so that the bearer will be through-connected in the backward direction the MSC Server shall:

- use Change Through-Connection procedure as defined in 3GPP TS 29.232 [11] during any one of the Prepare Bearer and Reserve Circuit procedures as defined in 3GPP TS 29.232 [11]; or
- use Configure the RTP Connection Point procedure as defined in 3GPP TS 29.232 [11] during Prepare IP bearer procedure as defined in 3GPP TS 29.232 [11].

If the MSC Server wants to configure the CS-MGW so that the bearer will be both-way through connected the MSC Server shall use Change Through-Connection procedure as defined in 3GPP TS 29.232 [11].

7.1.5a Handling of Forking

The procedures described in subclauses 7.1.1 to 7.1.6 shall be applied with the addition that the MSC Server and the CS-MGW shall act in accordance with subclauses 9.2.3.4.1 to 9.2.3.4.4 in 3GPP TS 29.163 [46].

NOTE: For the references to 3GPP TS 29.163 [46], the O-MGCF and I-MGCF in 3GPP TS 29.163 [46] is to be understood as MSC Server, the IM-MGW is to be understood as CS-MGW, and the Configure IMS Resources procedure is to be understood as Configure RTP Resources procedure.

7.1.6 Failure handling in MSC server

If any procedure between the MSC Server and the CS-MGW has not completed successfully or the MSC Server receives a Bearer Released procedure from the CS-MGW the procedure in accordance with clause 6.1.1.12 of 3GPP TS 23.231 [40] and 3GPP TS 29.232 [11] shall be applied.

7.2 Mobile terminated call

7.2.1 CS-MGW selection

The MSC Server shall select an CS-MGW for the bearer connection before it performs the network side bearer establishment or the access bearer assignment. The selection of the CS-MGW does not take place before the call proceeding has been received by the MSC Server.

7.2.2 Network side session establishment

7.2.2.1 General

The MSC Server shall request the CS-MGW to prepare for the network side session establishment using the Reserve and Configure RTP Connection Point procedure as specified in 3GPP TS 23.205 [39] and 3GPP TS 29.232 [11], with additional information elements as specified in the present subclause. Within this procedure, the MSC Server shall indicate the received speech codecs from the remote UE and request a local IP address and UDP port from the CS-MGW and the MSC Server may also indicate that the IP interface type is for MboIP as defined in 3GPP TS 29.232 [11]. The local IP address and UDP ports are used by the CS-MGW to receive user plane data. The MSC Server shall include the local IP address and UDP port number in the SDP answer for the selected codec.

7.2.2.2 Additions to Reserve and Configure RTP Connection Point

This procedure is used to reserve and configure an RTP bearer termination. The Reserve and Configure RTP Connection Point procedure defined in 3GPP TS 23.205 [39] shall be applied with additional information elements as defined in table 7.2.2.2.1.

Table 7.2.2.2.1: Additions to Reserve and Configure RTP Connection Point Procedure

Procedure	Initiated	Information element name	Information element required	Information element description
Reserve and Configure RTP Connection Point	(G)MSC-Server	Allowed RTCP APP message types	O	This information element is present if MSC server allows the MGW to send RTCP APP packets of the indicated types defined in TS 26.114 [28]. The MGW shall not send other RTCP APP packets. If the parameter is not supplied, the MGW shall not send any RTCP APP packets.
		Priority information	O	This information element requests the CS-MGW to apply priority treatment for the terminations and bearer connections in the specified context.
		ECN Enable	O	This information element requests the CS-MGW to apply ECN procedures and IP header settings as an ECN endpoint.
		ECN Initiation Method	C	This information element specifies the ECN Initiation method and requests the CS-MGW to perform IP header settings as an ECN endpoint. It may be included only if ECN is enabled.
		Notify ECN Failure Event	C	This information element requests a notification if an ECN failure occurs. It may only be supplied if ECN is enabled.
		STUN server request	O	This information element is present if MSC Server requests the CS-MGW to answer STUN connectivity checks for ICE.
		ICE Connectivity Check	C	This information element requests the CS-MGW to perform ICE connectivity check as defined by IETF RFC 5245 [60]. It is only applicable for full ICE.
		Notify ICE Connectivity Check Result	C	This information element requests a notification of ICE connectivity check result. It is only applicable for full ICE.
		Notify New Peer Reflexive Candidate	C	This information element requests a notification of new peer reflexive candidate was discovered during a connectivity check. It is only applicable for full ICE.
		ICE password request	O	This information element is present if MSC Server requests an ICE password.
		ICE Ufrag request	O	This information element is present if MSC Server requests an ICE ufrag.
		ICE host candidate request	O	This information element is present if MSC Server requests an ICE host candidate.
		ICE received candidate	O	This information element is present if MSC Server indicates a received candidate for ICE.
		ICE received password	O	This information element is present if MSC Server indicates a received password for ICE.
		ICE received Ufrag	O	This information element is present if MSC Server indicates a received Ufrag for ICE.
SDPCapNeg configuration	O	This information element provides SDPCapNeg configuration(s) using as "a=acap", "a=tcap", "a=pcfg" and "a=acfg" SDP attributes.		
Reserve and Configure RTP Connection Point Ack	MGW	ICE password	C	This information element shall be present only if it was contained in the request. It indicates the ICE password assigned by the CS-MGW.

		ICE Ufrag	C	This information element shall be present only if it was contained in the request. It indicates the ICE Ufrag assigned by the CS-MGW.
		ICE host candidate	C	This information element shall be present only if it was contained in the request. It indicates the ICE host candidate assigned by the CS-MGW.
		ICE lite indication	C	This information element shall be present only if an ICE host candidate request was contained in the request, and the CS-MGW supports ICE lite, but not full ICE. It indicates that the CS-MGW only supports ICE lite.
		SDPCapNeg configuration	C	This information element shall be present only if it was contained in the request. It provides SDPCapNeg configuration(s) using as "a=acap", "a=tcap", "a=pcfg" and "a=acfg" SDP attributes.

7.2.3 Access bearer assignment

7.2.3.1 General

The way the MSC Server-CS-MGW interaction is carried out depends on the characteristics of the access bearer network.

7.2.3.2 Iu interface on IP

The MSC Server and the CS-MGW shall act in accordance with clause 6.2.3 in 3GPP TS 23.205 [39] and apply the coding in accordance with 3GPP TS 29.232 [11].

7.2.3.3 A interface over IP

The MSC Server and the CS-MGW shall act in accordance with clause 6.2.4 in 3GPP TS 23.205 [39] and apply the coding in accordance with 3GPP TS 29.232 [11].

7.2.3.4 A interface over TDM

The MSC Server and the CS-MGW shall act in accordance with clause 6.2.2.2.4 in 3GPP TS 23.205 [39] and apply the coding in accordance with 3GPP TS 29.232 [11].

7.2.3.5 Iu over UTRAN and GERAN

The MSC Server and the CS-MGW shall act in accordance with clause 6.2.2.2.4 in 3GPP TS 23.205 [39] and apply the coding in accordance with 3GPP TS 29.232 [11].

7.2.4 Apply ringing tone

If the condition as defined in clause 5.4.7 is fulfilled the MSC Server shall instruct the CS-MGW to send ringing tone towards the calling party. In this case the MSC Server shall use the Send Tone procedure in accordance with 3GPP TS 23.205 [39] and 3GPP TS 29.232 [11].

If the MSC Server wishes to stop sending the ringing tone, e.g. due to receipt of the CONNECT message, the MSC Server shall apply the Stop Tone procedure as defined in 3GPP TS 23.205 [39] and 3GPP TS 29.232 [11].

7.2.5 Through connection

If the MSC Server wants to configure the CS-MGW so that the bearer will not be through-connected the MSC Server shall:

- use Change Through-Connection procedure as defined in 3GPP TS 29.232 [11] during any one of the Prepare Bearer and Reserve Circuit procedures as defined in 3GPP TS 29.232 [11]; or
- use Configure the RTP Connection Point procedure as defined in 3GPP TS 29.232 [11] during Prepare IP bearer procedure as defined in 3GPP TS 29.232 [11].

If the MSC Server wants to configure the CS-MGW so that the bearer will be both-way through connected the MSC Server shall use the Change Through-Connection procedure as defined in 3GPP TS 29.232 [11].

7.2.6 Announcement

If the MSC Server wants to provide an announcement, e.g. when the condition in clause 5.4.7 is fulfilled, the MSC Server shall instruct the CS-MGW to send an announcement. In this case the MSC Server shall use the Play Announcement procedure in accordance with 3GPP TS 23.205 [39] and 3GPP TS 29.232 [11].

If the MSC Server wishes to stop the sending of an announcement the MSC Server shall apply the Stop Announcement procedure as defined in 3GPP TS 23.205 [39] and 3GPP TS 29.232 [11].

7.2.7 Failure handling in the MSC server

If any procedure between the MSC Server and the CS-MGW has not completed successfully or the MSC Server receives a Bearer Released procedure from the CS-MGW the procedure in accordance with clause 6.2.1.3.13 of 3GPP TS 23.231 [40] and 3GPP TS 29.232 [11] shall be applied.

7.2A Notification Procedures

7.2A.1 General information

This subclause contains procedures common to mobile originated and mobile terminated calls which are not defined in 3GPP TS 23.205 [39] but are applicable to the MSC Server enhanced for ICS and the CS-MGW.

7.2A.2 ECN Failure Indication

This procedure is used to report ECN related errors (see 3GPP TS 29.163 [46] clause 9.2.11.1c).

Table 7.2A.2.1: Procedures between MSC Server and CS-MGW: ECN Failure Indication

Procedure	Initiated	Information element name	Information element required	Information element description
ECN Failure Indication	CS-MGW	Context	M	This information element indicates the context for the bearer termination.
		Bearer Termination	M	This information element indicates the bearer termination for which the ECN failure is reported.
		ECN Failure Indication	M	This IE indicates an ECN failure event.
ECN Failure Indication Ack	MSC Server	Context	M	This information element indicates the context where the command was executed.
		Bearer Termination	M	This information element indicates the bearer termination where the command was executed.

7.2A.3 ICE Connectivity Check Result Notification

This procedure is used to report ICE connectivity check result for Full ICE.

Table 7.2A.3.1: Procedures between MSC Server and CS-MGW: ICE Connectivity Check Result Notification

Procedure	Initiated	Information element name	Information element required	Information element description
ICE Connectivity Check Result Notification	CS-MGW	Context	M	This information element indicates the context for the bearer termination.
		Bearer Termination	M	This information element indicates the bearer termination for which the ICE Connectivity Check Result is reported.
		ICE Connectivity Check Result	M	This information element indicates an ICE Connectivity Check Result event.
ICE Connectivity Check Result Notification Ack	MSC Server	Context	M	This information element indicates the context where the command was executed.
		Bearer Termination	M	This information element indicates the bearer termination where the command was executed.

7.2A.4 ICE New Peer Reflexive Candidate Notification

This procedure is used to report ICE new peer reflexive candidate for Full ICE.

Table 7.2A.4.1: Procedures between MSC Server and CS-MGW: ICE New Peer Reflexive Candidate Notification

Procedure	Initiated	Information element name	Information element required	Information element description
ICE New Peer Reflexive Candidate Notification	CS-MGW	Context	M	This information element indicates the context for the bearer termination.
		Bearer Termination	M	This information element indicates the bearer termination for which the ICE New Peer Reflexive Candidate is reported
		ICE New Peer Reflexive Candidate	M	This information element indicates an ICE New Peer Reflexive Candidate event.
ICE New Peer Reflexive Candidate Notification Ack	MSC Server	Context	M	This information element indicates the context where the command was executed.
		Bearer Termination	M	This information element indicates the bearer termination where the command was executed.

7.3 Call clearing

7.3.1 Clearing received from the network

7.3.1.1 Access bearer clearing

Once the call clearing and the release of the associated radio resources have been completed, the MSC Server releases any CS-MGW allocated resources for the access side. If any resources were seized in the CS-MGW, the MSC Server uses the Release Termination procedure as specified in 3GPP TS 29.232 [11] to request the CS-MGW to remove the access side bearer termination.

7.3.1.2 Network side clearing

If the MSC Server requires to release resources due to the receipt of a BYE or CANCEL request or a response including a failure indication from the network the MSC Server shall act in accordance with clause 7.2.6 in 3GPP TS 23.231 [40] and 3GPP TS 29.232 [11].

7.3.2 Clearing received from the user

7.3.2.1 Access bearer clearing

Once the call clearing and the release of the associated radio resources have been completed, the MSC Server releases any CS-MGW allocated resources for the access side. If any resources were seized in the CS-MGW, the MSC Server uses the Release Termination procedure as specified in 3GPP TS 29.232 [11] to request the CS-MGW to remove the access side bearer termination.

7.3.2.2 Network side clearing

If the MSC Server requires to release resources due to the receipt of a BYE or CANCEL request or a response including a failure indication from the originating or terminating UE the MSC Server shall act in accordance with clause 7.2.6 in 3GPP TS 23.231 [40] and 3GPP TS 29.232 [11].

7.3.3 Call clearing received from the CS-MGW

7.3.3.1 Bearer released received on the access side

After the MSC Server has received the Bearer Released procedure from the CS-MGW on the access side, the MSC Server shall release the access resources as described in 3GPP TS 24.008 [3]. If the call is already established towards the network side, call clearing to the network side is performed as described in clause 5.5.3.

7.3.3.2 Bearer released received on the network side

After the MSC Server has received the Bearer Released procedure from the CS-MGW on the network side, the MSC Server shall clear the call to the network side as described in clause 5.5.3 and clear the call to the UE as described in 3GPP TS 24.008 [3].

7.4 Call independent procedures

The MSC Server and the CS-MGW are involved in a number of procedures which are not related to the setting up and clearing of calls. The MSC Server and the CS-MGW shall comply with the requirements stated in the different subclauses 10.1 - 10.10 of 3GPP TS 23.205 [39] and subclauses 10.12 - 10.16 of 3GPP TS 23.205 [39].

7.5 Explicit Congestion Notification

An MSC Server and a CS-MGW may support Multimedia Telephony using Explicit Congestion Notification (see IETF RFC 3168 [48], IETF RFC 6679 [49], and 3GPP TS 26.114 [28]), and may then act as an ECN endpoint to enable ECN with a local ECN-capable terminal within a local network that properly handles ECN-marked packets.

The ECN procedures described in 3GPP TS 29.163 [46], clause 9.2.11, for MGCF and IM-MGW are then applicable for MSC Server and the CS-MGW.

7.6 Multimedia Priority Service (MPS) Support

The Multimedia Priority Service (MPS) is specified in 3GPP TS 22.153 [54]. An MSC Server and a CS-MGW may support the priority treatment of a call/session identified as an MPS call/session.

The MPS procedures described in 3GPP TS 29.163 [46], clause 9.4, for MGCF and IM-MGW are then applicable for MSC Server and the CS-MGW.

7.7 Interactive Connectivity Establishment

An MSC Server and a CS-MGW may support ICE functionality as specified in IETF RFC 5245 [60] and 3GPP TS 24.229 [2].

Support of full ICE functionality is optional, but if ICE is supported, the MSC Server and the CS-MGW shall at least support ICE lite as specified in IETF RFC 5245 [60].

The requirements as described in clause 9.2.12 of 3GPP TS 29.163 [46] for MGCF and IM-MGW, apply to the MSC Server and the CS-MGW when the ICE procedures are supported.

7.8 Codec Parameters Handling

7.8.1 Handling of common codec parameters

The requirements as described in clause 9.2.13.1 of 3GPP TS 29.163 [46] for the MGCF and the IM-MGW, apply to the MSC Server and the CS-MGW.

7.8.2 EVS speech codec

The Enhanced Voice Services (EVS) speech codec is defined in 3GPP TS 26.441 [61]. Its RTP payload type is defined in 3GPP TS 26.445 [62], and procedures for its usage as IMS Multimedia Telephony speech codec are defined in 3GPP TS 26.114 [28].

The MSC Server and the CS-MGW may support transcoding to and from the EVS speech codec. If they do so, the requirements as described in clause 9.2.13.2 of 3GPP TS 29.163 [46] for the MGCF and the IM-MGW, apply to the MSC Server and the CS-MGW.

7.9 SDP Capability Negotiation (SDPCapNeg)

The SDP Capability Negotiation (SDPCapNeg) as specified in IETF RFC 5939 [63] is adopted as an optional functionality to negotiate capabilities and their associated configurations according to 3GPP TS 24.229 [2].

The SDPCapNeg requirements and procedures described in subclause 5.2.23 of 3GPP TS 23.333 [64] for MRFC and MRFP are then applicable for MSC Server and the CS-MGW.

Annex A (informative): Change history

Change history							
Date	TSG #	TSG Doc.	CR	Rev	Subject/Comment	Old	New
06/2013	TSG#60	CP-130343	0073	3	Handling of dialed digits home-local number	11.6.0	12.0.0
06/2013	TSG#60	CP-130343	0078	2	Identity mapping correction	11.6.0	12.0.0
06/2013	TSG#60	CP-130343	0083	1	Mapping between cause IE and SIP status code when timer expires	11.6.0	12.0.0
06/2013	TSG#60	CP-130343	0084	1	Mapping between cause values and SIP status code related to not implemented features/services	11.6.0	12.0.0
06/2013	TSG#60	CP-130343	0085	1	Mapping of CUG specific cause values	11.6.0	12.0.0
06/2013	TSG#60	CP-130343	0086	1	Mapping of cause value 8 "operator determined barring"	11.6.0	12.0.0
09/2013	TSG#61	CP-130558	0088	-	Identity mapping correction	12.0.0	12.1.0
06/2014	TSG#64	CP-140353	0095	-	Conference creation	12.1.0	12.2.0
06/2014	TSG#64	CP-140354	0100	-	Removal of CDIVN	12.1.0	12.2.0
06/2014	TSG#64	CP-140385	0089	1	Support of SIP precondition mechanism by MSC server	12.1.0	12.2.0
06/2014	TSG#64	CP-140396	0090	2	ICE support for MSC Server enhanced for ICS	12.1.0	12.2.0
09/2014	CT-65	CP-140542	0101	-	ICE: reference correction	12.2.0	12.3.0
09/2014	CT-65	CP-140554	0102	3	Sending of PROGRESS during aSRVCC	12.2.0	12.3.0
12/2014	CT-66	CP-140912	0103	2	Update of protocol stacks and associated text for luCS to Mb interworking	12.3.0	12.4.0
12/2014	CT-66	CP-140919	0104	3	Sending of PROGRESS upon SIP UPDATE message	12.3.0	12.4.0
12/2014	CT-66	CP-140933	0105	3	Adding support for EVS codec	12.3.0	12.4.0
06/2015	CT-68	CP-150337	0111	2	Correcting rules condition for CFU service	12.4.0	12.5.0
06/2015	CT-68	CP-150364	0112	2	Notify UE remote party state after SRVCC	12.5.0	13.0.0
09/2015	CT-69	CP-150484	0113	1	Clarifying clearing initiated by the mobile	13.0.0	13.1.0
09/2015	CT-69	CP-150484	0114	1	Autonomous clearing initiated by the MSC Server	13.0.0	13.1.0
09/2015	CT-69	CP-150463	0120	-	Missing 4xx final responses	13.0.0	13.1.0
09/2015	CT-69	CP-150463	0126	2	Mapping to/from Q.850 cause codes	13.0.0	13.1.0
12/2015	CT-70	CP-150667	0127	5	Stage 2 Mc supporting of SDP capability negotiation	13.1.0	13.2.0
12/2015	CT-70	CP-150660	0128	1	Removing a conference participant	13.1.0	13.2.0
Change history							
Date	TSG #	TSG Doc.	CR	Rev	Cat	Subject/Comment	New
03/2016	CT#71	CP-160105	0130	1	F	Removal of references to TS 26.235	13.3.0
03/2017	CT#75	CP-170085	0131	-	B	Reception of 666 (Unwanted) response	14.0.0
06/2017	CT#76	CP-171131	0132	1	F	Mapping of additional 4xx response codes for SPECTRE	14.1.0
06/2017	CT#76	CP-171129	0133	3	B	ICS: Interworking procedures of password	14.1.0
06/2017	CT#76	CP-171134	0134	2	F	Mapping SIP Reason header field cause "Call completed elsewhere" to a cause information element in the DISCONNECT message	14.1.0
06/2017	CT#76	CP-171131	0135	1	F	Reference update: draft-ietf-sipcore-status-unwanted	14.1.0
06/2017	CT#76	CP-171134	0136	1	F	Completion of "Reserve RTP Connection Point", "Reserve and Configure RTP Connection Point" and "Configure RTP Connection Point" procedures.	14.1.0
06/2017	CT#76	CP-171129	0137	2	B	Registration of password for ICS	14.1.0
06/2017	CT#76	CP-171134	0138	-	F	Response-Source header field handling completion	14.1.0

History

Document history		
V14.0.0	April 2017	Publication
V14.1.0	July 2017	Publication