

ETSI TS 136 104 V9.10.0 (2012-01)



**LTE;
Evolved Universal Terrestrial Radio Access (E-UTRA);
Base Station (BS) radio transmission and reception
(3GPP TS 36.104 version 9.10.0 Release 9)**



Reference

RTS/TSGR-0436104v9a0

Keywords

LTE

ETSI

650 Route des Lucioles
F-06921 Sophia Antipolis Cedex - FRANCE

Tel.: +33 4 92 94 42 00 Fax: +33 4 93 65 47 16

Siret N° 348 623 562 00017 - NAF 742 C
Association à but non lucratif enregistrée à la
Sous-Préfecture de Grasse (06) N° 7803/88

Important notice

Individual copies of the present document can be downloaded from:

<http://www.etsi.org>

The present document may be made available in more than one electronic version or in print. In any case of existing or perceived difference in contents between such versions, the reference version is the Portable Document Format (PDF). In case of dispute, the reference shall be the printing on ETSI printers of the PDF version kept on a specific network drive within ETSI Secretariat.

Users of the present document should be aware that the document may be subject to revision or change of status. Information on the current status of this and other ETSI documents is available at

<http://portal.etsi.org/tb/status/status.asp>

If you find errors in the present document, please send your comment to one of the following services:

http://portal.etsi.org/chaicor/ETSI_support.asp

Copyright Notification

No part may be reproduced except as authorized by written permission.
The copyright and the foregoing restriction extend to reproduction in all media.

© European Telecommunications Standards Institute 2012.
All rights reserved.

DECTTM, **PLUGTESTS**TM, **UMTS**TM and the ETSI logo are Trade Marks of ETSI registered for the benefit of its Members.
3GPPTM and **LTE**TM are Trade Marks of ETSI registered for the benefit of its Members and
of the 3GPP Organizational Partners.
GSM[®] and the GSM logo are Trade Marks registered and owned by the GSM Association.

Intellectual Property Rights

IPRs essential or potentially essential to the present document may have been declared to ETSI. The information pertaining to these essential IPRs, if any, is publicly available for **ETSI members and non-members**, and can be found in ETSI SR 000 314: *"Intellectual Property Rights (IPRs); Essential, or potentially Essential, IPRs notified to ETSI in respect of ETSI standards"*, which is available from the ETSI Secretariat. Latest updates are available on the ETSI Web server (<http://ipr.etsi.org>).

Pursuant to the ETSI IPR Policy, no investigation, including IPR searches, has been carried out by ETSI. No guarantee can be given as to the existence of other IPRs not referenced in ETSI SR 000 314 (or the updates on the ETSI Web server) which are, or may be, or may become, essential to the present document.

Foreword

This Technical Specification (TS) has been produced by ETSI 3rd Generation Partnership Project (3GPP).

The present document may refer to technical specifications or reports using their 3GPP identities, UMTS identities or GSM identities. These should be interpreted as being references to the corresponding ETSI deliverables.

The cross reference between GSM, UMTS, 3GPP and ETSI identities can be found under <http://webapp.etsi.org/key/queryform.asp>.

Contents

| | |
|---|----|
| Intellectual Property Rights | 2 |
| Foreword..... | 2 |
| Foreword..... | 6 |
| 1 Scope | 7 |
| 2 References | 7 |
| 3 Definitions, symbols and abbreviations | 8 |
| 3.1 Definitions | 8 |
| 3.2 Symbols..... | 9 |
| 3.3 Abbreviations | 10 |
| 4 General | 11 |
| 4.1 Relationship between minimum requirements and test requirements | 11 |
| 4.2 Base station classes | 11 |
| 4.3 Regional requirements..... | 11 |
| 4.4 Applicability of requirements..... | 12 |
| 5.1 General | 13 |
| 5.2 Void..... | 13 |
| 5.3 Void..... | 13 |
| 5.4 Void..... | 13 |
| 5.5 Operating bands..... | 13 |
| 5.6 Channel bandwidth..... | 14 |
| 5.7 Channel arrangement..... | 14 |
| 5.7.1 Channel spacing..... | 14 |
| 5.7.2 Channel raster | 15 |
| 5.7.3 Carrier frequency and EARFCN..... | 15 |
| 6 Transmitter characteristics | 16 |
| 6.1 General | 16 |
| 6.2 Base station output power | 16 |
| 6.2.1 Minimum requirement | 17 |
| 6.2.2 Additional requirement (regional) | 17 |
| 6.2.3 Home BS output power for adjacent UTRA channel protection..... | 17 |
| 6.2.4 Home BS output power for adjacent E-UTRA channel protection..... | 18 |
| 6.3 Output power dynamics..... | 19 |
| 6.3.1 RE Power control dynamic range | 19 |
| 6.3.1.1 Minimum requirements | 19 |
| 6.3.2 Total power dynamic range | 20 |
| 6.3.2.1 Minimum requirements | 20 |
| 6.4 Transmit ON/OFF power | 20 |
| 6.4.1 Transmitter OFF power | 20 |
| 6.4.1.1 Minimum Requirement | 20 |
| 6.4.2 Transmitter transient period..... | 20 |
| 6.4.2.1 Minimum requirements..... | 21 |
| 6.5 Transmitted signal quality | 21 |
| 6.5.1 Frequency error..... | 21 |
| 6.5.1.1 Minimum requirement | 21 |
| 6.5.2 Error Vector Magnitude..... | 22 |
| 6.5.3 Time alignment between transmitter branches | 22 |
| 6.5.3.1 Minimum Requirement | 22 |
| 6.5.4 DL RS power | 22 |
| 6.5.4.1 Minimum requirements..... | 22 |
| 6.6 Unwanted emissions..... | 22 |
| 6.6.1 Occupied bandwidth | 23 |
| 6.6.1.1 Minimum requirement | 23 |
| 6.6.2 Adjacent Channel Leakage power Ratio (ACLR) | 23 |

| | | |
|-----------|---|----|
| 6.6.2.1 | Minimum requirement | 23 |
| 6.6.3 | Operating band unwanted emissions | 24 |
| 6.6.3.1 | Minimum requirements for Wide Area BS (Category A) | 25 |
| 6.6.3.2 | Minimum requirements for Wide Area BS (Category B) | 27 |
| 6.6.3.2.1 | Category B requirements (Option 1) | 27 |
| 6.6.3.2.2 | Category B (Option 2)..... | 29 |
| 6.6.3.2A | Minimum requirements for Local Area BS (Category A and B) | 30 |
| 6.6.3.2B | Minimum requirements for Home BS (Category A and B) | 30 |
| 6.6.3.3 | Additional requirements..... | 32 |
| 6.6.4 | Transmitter spurious emissions..... | 33 |
| 6.6.4.1 | Mandatory Requirements | 34 |
| 6.6.4.1.1 | Spurious emissions (Category A) | 34 |
| 6.6.4.1.2 | Spurious emissions (Category B) | 34 |
| 6.6.4.2 | Protection of the BS receiver of own or different BS | 34 |
| 6.6.4.2.1 | Minimum Requirement | 35 |
| 6.6.4.3 | Additional spurious emissions requirements..... | 35 |
| 6.6.4.3.1 | Minimum Requirement | 36 |
| 6.6.4.4 | Co-location with other base stations | 41 |
| 6.6.4.4.1 | Minimum Requirement | 42 |
| 6.7 | Transmitter intermodulation..... | 44 |
| 6.7.1 | Minimum requirement | 45 |
| 7 | Receiver characteristics..... | 45 |
| 7.1 | General | 45 |
| 7.2 | Reference sensitivity level..... | 46 |
| 7.2.1 | Minimum requirement | 46 |
| 7.3 | Dynamic range | 47 |
| 7.3.1 | Minimum requirement | 47 |
| 7.4 | In-channel selectivity | 49 |
| 7.4.1 | Minimum requirement | 50 |
| 7.5 | Adjacent Channel Selectivity (ACS) and narrow-band blocking | 51 |
| 7.5.1 | Minimum requirement | 51 |
| 7.6 | Blocking | 53 |
| 7.6.1 | General blocking requirement..... | 53 |
| 7.6.1.1 | Minimum requirement | 53 |
| 7.6.2 | Co-location with other base stations | 55 |
| 7.6.2.1 | Minimum requirement | 55 |
| 7.7 | Receiver spurious emissions..... | 60 |
| 7.7.1 | Minimum requirement | 60 |
| 7.8 | Receiver intermodulation | 60 |
| 7.8.1 | Minimum requirement | 61 |
| 8 | Performance requirement | 63 |
| 8.1 | General | 63 |
| 8.2 | Performance requirements for PUSCH | 63 |
| 8.2.1 | Requirements in multipath fading propagation conditions | 63 |
| 8.2.1.1 | Minimum requirements | 64 |
| 8.2.2 | Requirements for UL timing adjustment | 69 |
| 8.2.2.1 | Minimum requirements | 70 |
| 8.2.3 | Requirements for high speed train | 70 |
| 8.2.3.1 | Minimum requirements | 71 |
| 8.2.4 | Requirements for HARQ-ACK multiplexed on PUSCH..... | 71 |
| 8.2.4.1 | Minimum requirement | 72 |
| 8.3 | Performance requirements for PUCCH..... | 72 |
| 8.3.1 | DTX to ACK performance | 72 |
| 8.3.1.1 | Minimum requirement | 73 |
| 8.3.2 | ACK missed detection requirements for single user PUCCH format 1a | 73 |
| 8.3.2.1 | Minimum requirements | 73 |
| 8.3.3 | CQI performance requirements for PUCCH format 2 | 73 |
| 8.3.3.1 | Minimum requirements | 73 |
| 8.3.4 | ACK missed detection requirements for multi user PUCCH format 1a | 74 |
| 8.3.4.1 | Minimum requirement | 74 |

| | | |
|---|---|-----------|
| 8.4 | Performance requirements for PRACH..... | 74 |
| 8.4.1 | PRACH False alarm probability | 74 |
| 8.4.1.1 | Minimum requirement | 74 |
| 8.4.2 | PRACH detection requirements..... | 74 |
| 8.4.2.1 | Minimum requirements..... | 74 |
| Annex A (normative): Reference measurement channels | | 76 |
| A.1 | Fixed Reference Channels for reference sensitivity and in-channel selectivity (QPSK, R=1/3) | 76 |
| A.2 | Fixed Reference Channels for dynamic range (16QAM, R=2/3)..... | 77 |
| A.3 | Fixed Reference Channels for performance requirements (QPSK 1/3) | 77 |
| A.4 | Fixed Reference Channels for performance requirements (16QAM 3/4) | 78 |
| A.5 | Fixed Reference Channels for performance requirements (64QAM 5/6) | 78 |
| A.6 | PRACH Test preambles | 78 |
| A.7 | Fixed Reference Channels for UL timing adjustment (Scenario 1) | 79 |
| A.8 | Fixed Reference Channels for UL timing adjustment (Scenario 2) | 79 |
| A.9 | Multi user PUCCH test..... | 80 |
| Annex B (normative): Propagation conditions..... | | 81 |
| B.1 | Static propagation condition..... | 81 |
| B.2 | Multi-path fading propagation conditions | 81 |
| B.3 | High speed train condition | 82 |
| B.4 | Moving propagation conditions..... | 83 |
| Annex C (normative): Characteristics of the interfering signals..... | | 85 |
| Annex D (normative): Environmental requirements for the BS equipment | | 86 |
| Annex E (normative): Error Vector Magnitude | | 87 |
| E.1 | Reference point for measurement..... | 87 |
| E.2 | Basic unit of measurement | 87 |
| E.3 | Modified signal under test..... | 88 |
| E.4 | Estimation of frequency offset | 88 |
| E.5 | Estimation of time offset | 88 |
| E.5.1 | Window length | 89 |
| E.6 | Estimation of TX chain amplitude and frequency response parameters | 89 |
| E.7 | Averaged EVM | 91 |
| Annex F (Informative): Unwanted emission requirements for multi-carrier BS | | 92 |
| F.1 | General | 92 |
| F.2 | Multi-carrier BS of different E-UTRA channel bandwidths..... | 92 |
| F.3 | Multi-carrier BS of E-UTRA and UTRA..... | 92 |
| Annex G (informative): Regional requirement for protection of DTT | | 93 |
| Annex H (informative): Change history | | 94 |
| History | | 98 |

Foreword

This Technical Specification has been produced by the 3rd Generation Partnership Project (3GPP).

The contents of the present document are subject to continuing work within the TSG and may change following formal TSG approval. Should the TSG modify the contents of the present document, it will be re-released by the TSG with an identifying change of release date and an increase in version number as follows:

Version x.y.z

where:

- x the first digit:
 - 1 presented to TSG for information;
 - 2 presented to TSG for approval;
 - 3 or greater indicates TSG approved document under change control.
- y the second digit is incremented for all changes of substance, i.e. technical enhancements, corrections, updates, etc.
- z the third digit is incremented when editorial only changes have been incorporated in the document.

1 Scope

The present document establishes the minimum RF characteristics and minimum performance requirements of E-UTRA Base Station (BS).

2 References

The following documents contain provisions which, through reference in this text, constitute provisions of the present document.

- References are either specific (identified by date of publication, edition number, version number, etc.) or non-specific.
- For a specific reference, subsequent revisions do not apply.
- For a non-specific reference, the latest version applies. In the case of a reference to a 3GPP document (including a GSM document), a non-specific reference implicitly refers to the latest version of that document *in the same Release as the present document*.

- [1] 3GPP TR 21.905: "Vocabulary for 3GPP Specifications".
- [2] ITU-R Recommendation SM.329: "Unwanted emissions in the spurious domain".
- [3] ITU-R Recommendation M.1545: "Measurement uncertainty as it applies to test limits for the terrestrial component of International Mobile Telecommunications-2000".
- [4] 3GPP TS 36.141: "Evolved Universal Terrestrial Radio Access (E-UTRA); Base Station (BS) conformance testing".
- [5] ITU-R recommendation SM.328: "Spectra and bandwidth of emissions".
- [6] 3GPP TS 25.104: "Base Station (BS) radio transmission and reception (FDD)".
- [7] 3GPP TS 25.105: "Base Station (BS) radio transmission and reception (TDD)".
- [8] 3GPP TR 25.942: "RF system scenarios".
- [9] 3GPP TR 36.942: "E-UTRA RF system scenarios".
- [10] 3GPP TS 36.211: "Evolved Universal Terrestrial Radio Access (E-UTRA); Physical Channels and Modulation".
- [11] 3GPP TS 36.213: "Evolved Universal Terrestrial Radio Access (E-UTRA); Physical layer procedures".
- [12] ECC/DEC/(09)03 "Harmonised conditions for MFCN in the band 790-862 MHz", 30 Oct. 2009
- [13] IEC 60721-3-3 (2002): "Classification of environmental conditions - Part 3: Classification of groups of environmental parameters and their severities - Section 3: Stationary use at weather protected locations".
- [14] IEC 60721-3-4 (1995): "Classification of environmental conditions - Part 3: Classification of groups of environmental parameters and their severities - Section 4: Stationary use at non-weather protected locations".
- [15] 3GPP TS 37.104: "E-UTRA, UTRA and GSM/EDGE; Multi-Standard Radio (MSR) Base Station (BS) radio transmission and reception".

3 Definitions, symbols and abbreviations

3.1 Definitions

For the purposes of the present document, the terms and definitions given in TR 21.905 [1] and the following apply. A term defined in the present document takes precedence over the definition of the same term, if any, in TR 21.905 [1].

Base station receive period: The time during which the base station is receiving data subframes or UpPTS.

Carrier: The modulated waveform conveying the E-UTRA or UTRA physical channels

Channel bandwidth: The RF bandwidth supporting a single E-UTRA RF carrier with the transmission bandwidth configured in the uplink or downlink of a cell. The channel bandwidth is measured in MHz and is used as a reference for transmitter and receiver RF requirements.

Channel edge: The lowest and highest frequency of the E-UTRA carrier, separated by the channel bandwidth.

DL RS power: The resource element power of Downlink Reference Symbol.

Downlink operating band: The part of the operating band designated for downlink.

Maximum output Power: The mean power level per carrier of the base station measured at the antenna connector in a specified reference condition.

Maximum throughput: The maximum achievable throughput for a reference measurement channel.

Mean power: When applied to E-UTRA transmission this is the power measured in the channel bandwidth of the carrier. The period of measurement shall be at least one subframe (1 ms), unless otherwise stated.

Measurement bandwidth: The bandwidth in which an emission level is specified.

Multi-carrier transmission configuration: A set of one or more contiguous carriers that a BS is able to transmit simultaneously according to the manufacturer's specification.

Occupied bandwidth: The width of a frequency band such that, below the lower and above the upper frequency limits, the mean powers emitted are each equal to a specified percentage $\beta/2$ of the total mean power of a given emission.

Operating band: A frequency range in which E-UTRA operates (paired or unpaired), that is defined with a specific set of technical requirements.

NOTE: The operating band(s) for an E-UTRA BS is declared by the manufacturer according to the designations in table 5.5-1.

Output power: The mean power of one carrier of the base station, delivered to a load with resistance equal to the nominal load impedance of the transmitter.

Rated output power: Rated output power of the base station is the mean power level per carrier that the manufacturer has declared to be available at the antenna connector during the transmitter ON period.

RE power control dynamic range: The difference between the power of a RE and the average RE power for a BS at maximum output power for a specified reference condition.

RRC filtered mean power: The mean power of a UTRA carrier as measured through a root raised cosine filter with roll-off factor α and a bandwidth equal to the chip rate of the radio access mode.

NOTE 1: The RRC filtered mean power of a perfectly modulated UTRA signal is 0.246 dB lower than the mean power of the same signal.

Throughput: The number of payload bits successfully received per second for a reference measurement channel in a specified reference condition.

Total power dynamic range: The difference between the maximum and the minimum transmit power of an OFDM symbol for a specified reference condition.

Transmission bandwidth: Bandwidth of an instantaneous transmission from a UE or BS, measured in Resource Block units.

Transmission bandwidth configuration: The highest transmission bandwidth allowed for uplink or downlink in a given channel bandwidth, measured in Resource Block units.

Transmitter ON period: The time period during which the BS transmitter is transmitting data and/or reference symbols, i.e. data subframes or DwPTS.

Transmitter OFF period: The time period during which the BS transmitter is not allowed to transmit.

Transmitter transient period: The time period during which the transmitter is changing from the OFF period to the ON period or vice versa.

Uplink operating band: The part of the operating band designated for uplink.

3.2 Symbols

For the purposes of the present document, the following symbols apply:

| | |
|----------------------------------|---|
| α | Roll-off factor |
| β | Percentage of the mean transmitted power emitted outside the occupied bandwidth on the assigned channel |
| BW_{Channel} | Channel bandwidth |
| BW_{Config} | Transmission bandwidth configuration, expressed in MHz, where $BW_{\text{Config}} = N_{\text{RB}} \times 180$ kHz in the uplink and $BW_{\text{Config}} = 15$ kHz + $N_{\text{RB}} \times 180$ kHz in the downlink. |
| f | Frequency |
| Δf | Separation between the channel edge frequency and the nominal -3dB point of the measuring filter closest to the carrier frequency |
| Δf_{max} | The largest value of Δf used for defining the requirement |
| F_{C} | Carrier centre frequency |
| F_{filter} | Filter centre frequency |
| f_{offset} | Separation between the channel edge frequency and the centre of the measuring filter |
| $f_{\text{offset}_{\text{max}}}$ | The maximum value of f_{offset} used for defining the requirement |
| $F_{\text{DL}_{\text{low}}}$ | The lowest frequency of the downlink operating band |
| $F_{\text{DL}_{\text{high}}}$ | The highest frequency of the downlink operating band |
| $F_{\text{UL}_{\text{low}}}$ | The lowest frequency of the uplink operating band |
| $F_{\text{UL}_{\text{high}}}$ | The highest frequency of the uplink operating band |
| G_{ant} | Net antenna gain |
| N_{ant} | Number of transmitter antennas |
| N_{DL} | Downlink EARFCN |
| $N_{\text{Offs-DL}}$ | Offset used for calculating downlink EARFCN |
| $N_{\text{Offs-UL}}$ | Offset used for calculating uplink EARFCN |
| N_{CS} | Number of Cyclic shifts for preamble generation in PRACH |
| N_{RB} | Transmission bandwidth configuration, expressed in units of resource blocks |
| N_{UL} | Uplink EARFCN |
| $P_{10\text{MHz}}$ | Maximum output Power within 10 MHz |
| $P_{\text{EIRP,N}}$ | EIRP level for channel N |
| $P_{\text{EIRP,N,MAX}}$ | Maximum EIRP level for channel N |
| $P_{\text{EM,N}}$ | Declared emission level for channel N |
| P_{max} | Maximum output Power |
| P_{out} | Output power |
| P_{REFSENS} | Reference Sensitivity power level |
| T_{A} | Timing advance command, as defined in [11] |
| T_{s} | Basic time unit, as defined in [10] |

3.3 Abbreviations

For the purposes of the present document, the abbreviations given in TR 21.905 [1] and the following apply. An abbreviation defined in the present document takes precedence over the definition of the same abbreviation, if any, in TR 21.905 [1].

| | |
|--------|---|
| ACLR | Adjacent Channel Leakage Ratio |
| ACK | Acknowledgement (in HARQ protocols) |
| ACS | Adjacent Channel Selectivity |
| AWGN | Additive White Gaussian Noise |
| BS | Base Station |
| CP | Cyclic prefix |
| CRC | Cyclic Redundancy Check |
| CW | Continuous Wave |
| DC | Direct Current |
| DFT | Discrete Fourier Transformation |
| DTT | Digital Terrestrial Television |
| DTX | Discontinuous Transmission |
| DwPTS | Downlink part of the special subframe (for TDD operation) |
| EARFCN | E-UTRA Absolute Radio Frequency Channel Number |
| EPA | Extended Pedestrian A model |
| ETU | Extended Typical Urban model |
| E-UTRA | Evolved UTRA |
| EVA | Extended Vehicular A model |
| EVM | Error Vector Magnitude |
| FDD | Frequency Division Duplex |
| FFT | Fast Fourier Transformation |
| FRC | Fixed Reference Channel |
| GP | Guard Period (for TDD operation) |
| HARQ | Hybrid Automatic Repeat Request |
| ICS | In-Channel Selectivity |
| ITU-R | Radiocommunication Sector of the ITU |
| LA | Local Area |
| LNA | Low Noise Amplifier |
| MCS | Modulation and Coding Scheme |
| OFDM | Orthogonal Frequency Division Multiplex |
| OOB | Out-of-band |
| PA | Power Amplifier |
| PBCH | Physical Broadcast Channel |
| PDCCH | Physical Downlink Control Channel |
| PDSCH | Physical Downlink Shared Channel |
| PUSCH | Physical Uplink Shared Channel |
| PUCCH | Physical Uplink Control Channel |
| PRACH | Physical Random Access Channel |
| QAM | Quadrature Amplitude Modulation |
| QPSK | Quadrature Phase-Shift Keying |
| RAT | Radio Access Technology |
| RB | Resource Block |
| RE | Resource Element |
| RF | Radio Frequency |
| RMS | Root Mean Square (value) |
| RS | Reference Symbol |
| RX | Receiver |
| RRC | Root Raised Cosine |
| SNR | Signal-to-Noise Ratio |
| TA | Timing Advance |
| TDD | Time Division Duplex |
| TX | Transmitter |
| UE | User Equipment |
| WA | Wide Area |

4 General

4.1 Relationship between minimum requirements and test requirements

The Minimum Requirements given in this specification make no allowance for measurement uncertainty. The test specification TS 36.141 [4] Annex G defines Test Tolerances. These Test Tolerances are individually calculated for each test. The Test Tolerances are used to relax the Minimum Requirements in this specification to create Test Requirements.

The measurement results returned by the Test System are compared - without any modification - against the Test Requirements as defined by the shared risk principle.

The Shared Risk principle is defined in ITU-R M.1545 [3].

4.2 Base station classes

The requirements in this specification apply to Wide Area Base Stations, Local Area Base Stations and Home Base Stations unless otherwise stated.

Wide Area Base Stations are characterised by requirements derived from Macro Cell scenarios with a BS to UE minimum coupling loss equal to 70 dB. The Wide Area Base Station class has the same requirements as the base station for General Purpose application in Release 8.

Local Area Base Stations are characterised by requirements derived from Pico Cell scenarios with a BS to UE minimum coupling loss equal to 45 dB.

Home Base Stations are characterised by requirements derived from Femto Cell scenarios.

4.3 Regional requirements

Some requirements in the present document may only apply in certain regions either as optional requirements or set by local and regional regulation as mandatory requirements. It is normally not stated in the 3GPP specifications under what exact circumstances that the requirements apply, since this is defined by local or regional regulation.

Table 4.3-1 lists all requirements that may be applied differently in different regions.

Table 4.3-1: List of regional requirements

| Clause number | Requirement | Comments |
|---------------|--|---|
| 5.5 | Operating bands | Some bands may be applied regionally. |
| 5.6 | Channel bandwidth | Some channel bandwidths may be applied regionally. |
| 5.7 | Channel arrangement | The requirement is applied according to what operating bands in clause 5.5 that are supported by the BS. |
| 6.2 | Base station maximum output power | In certain regions, the minimum requirement for normal conditions may apply also for some conditions outside the range of conditions defined as normal. |
| 6.2.2 | Additional requirement (regional) | For Band 34 operation in certain regions, the rated output power declared by the manufacturer shall be less than or equal to the values specified in Table 6.2.2-1. |
| 6.6.3.1 | Operating band unwanted emissions (Category A) | This requirement is mandatory for regions where Category A limits for spurious emissions, as defined in ITU-R Recommendation SM.329 [2] apply. |
| 6.6.3.2 | Operating band unwanted emissions (Category B) | This requirement is mandatory for regions where Category B limits for spurious emissions, as defined in ITU-R Recommendation SM.329 [2], apply. |
| 6.6.3.3 | Additional requirements | These requirements may apply in certain regions as additional Operating band unwanted emission limits. |
| 6.6.4.1.1 | Spurious emissions (Category A) | This requirement is mandatory for regions where Category A limits for spurious emissions, as defined in ITU-R Recommendation SM.329 [2] apply. |
| 6.6.4.1.2 | Spurious emissions (Category B) | This requirement is mandatory for regions where Category B limits for spurious emissions, as defined in ITU-R Recommendation SM.329 [2], apply. |
| 6.6.4.3 | Additional spurious emission requirements | These requirements may be applied for the protection of system operating in frequency ranges other than the E-UTRA BS operating band. |
| 6.6.4.4 | Co-location with other base stations | These requirements may be applied for the protection of other BS receivers when a BS operating in another frequency band is co-located with an E-UTRA BS. |
| 7.6.2 | Co-location with other base stations | These requirements may be applied for the protection of the BS receiver when a BS operating in another frequency band is co-located with an E-UTRA BS. |

4.4 Applicability of requirements

For BS that is E-UTRA (single-RAT) capable only, the requirements in the present document are applicable and additional conformance to TS 37.104 [15] is optional. For a BS additionally conforming to TS 37.104 [15], conformance to some of the RF requirements in the present document can be demonstrated through the corresponding requirements in TS 37.104 [15] as listed in Table 4.4-1.

Table 4.4-1: Alternative RF minimum requirements for a BS additionally conforming to TS 37.104 [15]

| RF requirement | Clause in the present document | Alternative clause in TS 37.104 [15] |
|--|--------------------------------|--|
| Base station output power | 6.2.1 6.2.2 | 6.2.1 6.2.2 |
| Transmit ON/OFF power | 6.4 | 6.4 |
| Unwanted emissions | | |
| Transmitter spurious emissions | 6.6.4 | 6.6.1 (except for 6.6.1.1.3) |
| Operating band unwanted emissions | 6.6.3.1, 6.6.3.2 (NOTE 1) | 6.6.2 (except for 6.6.2.3 and 6.6.2.4) |
| Transmitter intermodulation | 6.7 | 6.7.1 |
| Narrowband blocking | 7.5.1 | 7.4.2 |
| Blocking | 7.6.1.1 | 7.4.1 |
| Out-of-band blocking | 7.6.1.1 | 7.5.1 |
| Co-location with other base stations | 7.6.2.1 | 7.5.2 |
| Receiver spurious emissions | 7.7.1 | 7.6.1 |
| Intermodulation | 7.8.1 | 7.7.1 |
| Narrowband intermodulation | 7.8.1 | 7.7.2 |
| NOTE 1: This does not apply when the lowest or highest carrier frequency is configured as 1.4 or 3 MHz carrier in bands of Band Category 1 or 3 according to clause 4.5 in TS 37.104 [15]. | | |

5 Operating bands and channel arrangement

5.1 General

The channel arrangements presented in this clause are based on the operating bands and channel bandwidths defined in the present release of specifications.

NOTE: Other operating bands and channel bandwidths may be considered in future releases.

5.2 Void

5.3 Void

5.4 Void

5.5 Operating bands

E-UTRA is designed to operate in the operating bands defined in Table 5.5-1.

Table 5.5-1 E-UTRA frequency bands

| E-UTRA Operating Band | Uplink (UL) operating band BS receive UE transmit | Downlink (DL) operating band BS transmit UE receive | Duplex Mode |
|-----------------------------|---|---|----------------|
| | F _{UL_low} – F _{UL_high} | F _{DL_low} – F _{DL_high} | |
| 1 | 1920 MHz – 1980 MHz | 2110 MHz – 2170 MHz | FDD |
| 2 | 1850 MHz – 1910 MHz | 1930 MHz – 1990 MHz | FDD |
| 3 | 1710 MHz – 1785 MHz | 1805 MHz – 1880 MHz | FDD |
| 4 | 1710 MHz – 1755 MHz | 2110 MHz – 2155 MHz | FDD |
| 5 | 824 MHz – 849 MHz | 869 MHz – 894 MHz | FDD |
| 6 ¹ | 830 MHz – 840 MHz | 875 MHz – 885 MHz | FDD |
| 7 | 2500 MHz – 2570 MHz | 2620 MHz – 2690 MHz | FDD |
| 8 | 880 MHz – 915 MHz | 925 MHz – 960 MHz | FDD |
| 9 | 1749.9 MHz – 1784.9 MHz | 1844.9 MHz – 1879.9 MHz | FDD |
| 10 | 1710 MHz – 1770 MHz | 2110 MHz – 2170 MHz | FDD |
| 11 | 1427.9 MHz – 1447.9 MHz | 1475.9 MHz – 1495.9 MHz | FDD |
| 12 | 699 MHz – 716 MHz | 729 MHz – 746 MHz | FDD |
| 13 | 777 MHz – 787 MHz | 746 MHz – 756 MHz | FDD |
| 14 | 788 MHz – 798 MHz | 758 MHz – 768 MHz | FDD |
| 15 | Reserved | Reserved | FDD |
| 16 | Reserved | Reserved | FDD |
| 17 | 704 MHz – 716 MHz | 734 MHz – 746 MHz | FDD |
| 18 | 815 MHz – 830 MHz | 860 MHz – 875 MHz | FDD |
| 19 | 830 MHz – 845 MHz | 875 MHz – 890 MHz | FDD |
| 20 | 832 MHz – 862 MHz | 791 MHz – 821 MHz | FDD |
| 21 | 1447.9 MHz – 1462.9 MHz | 1495.9 MHz – 1510.9 MHz | FDD |
| ... | | | |
| 33 | 1900 MHz – 1920 MHz | 1900 MHz – 1920 MHz | TDD |
| 34 | 2010 MHz – 2025 MHz | 2010 MHz – 2025 MHz | TDD |
| 35 | 1850 MHz – 1910 MHz | 1850 MHz – 1910 MHz | TDD |
| 36 | 1930 MHz – 1990 MHz | 1930 MHz – 1990 MHz | TDD |
| 37 | 1910 MHz – 1930 MHz | 1910 MHz – 1930 MHz | TDD |
| 38 | 2570 MHz – 2620 MHz | 2570 MHz – 2620 MHz | TDD |
| 39 | 1880 MHz – 1920 MHz | 1880 MHz – 1920 MHz | TDD |
| 40 | 2300 MHz – 2400 MHz | 2300 MHz – 2400 MHz | TDD |

Note 1: Band 6 is not applicable.

5.6 Channel bandwidth

Requirements in present document are specified for the channel bandwidths listed in Table 5.6-1.

Table 5.6-1 Transmission bandwidth configuration N_{RB} in E-UTRA channel bandwidths

| Channel bandwidth $BW_{Channel}$ [MHz] | 1.4 | 3 | 5 | 10 | 15 | 20 |
|--|-----|----|----|----|----|-----|
| Transmission bandwidth configuration N_{RB} | 6 | 15 | 25 | 50 | 75 | 100 |

Figure 5.6-1 shows the relation between the Channel bandwidth ($BW_{Channel}$) and the Transmission bandwidth configuration (N_{RB}). The channel edges are defined as the lowest and highest frequencies of the carrier separated by the channel bandwidth, i.e. at $F_C \pm BW_{Channel}/2$.

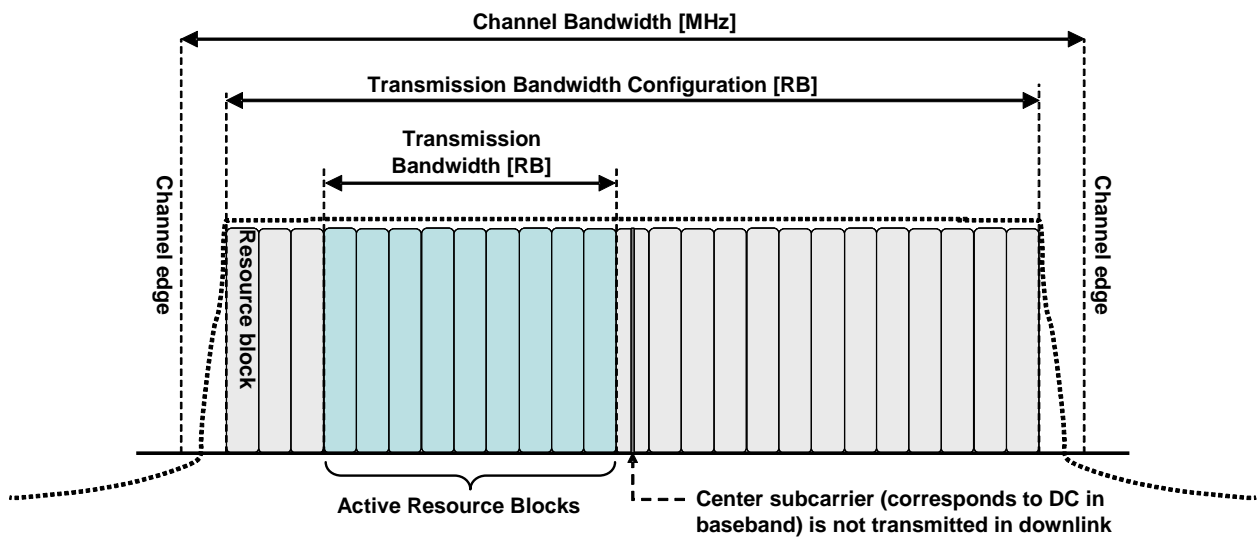


Figure 5.6-1 Definition of Channel Bandwidth and Transmission Bandwidth Configuration for one E-UTRA carrier

5.7 Channel arrangement

5.7.1 Channel spacing

The spacing between carriers will depend on the deployment scenario, the size of the frequency block available and the channel bandwidths. The nominal channel spacing between two adjacent E-UTRA carriers is defined as following:

$$\text{Nominal Channel spacing} = (BW_{Channel(1)} + BW_{Channel(2)})/2$$

where $BW_{Channel(1)}$ and $BW_{Channel(2)}$ are the channel bandwidths of the two respective E-UTRA carriers. The channel spacing can be adjusted to optimize performance in a particular deployment scenario.

5.7.2 Channel raster

The channel raster is 100 kHz for all bands, which means that the carrier centre frequency must be an integer multiple of 100 kHz.

5.7.3 Carrier frequency and EARFCN

The carrier frequency in the uplink and downlink is designated by the E-UTRA Absolute Radio Frequency Channel Number (EARFCN) in the range 0 - 65535. The relation between EARFCN and the carrier frequency in MHz for the downlink is given by the following equation, where F_{DL_low} and $N_{Offs-DL}$ are given in table 5.7.3-1 and N_{DL} is the downlink EARFCN.

$$F_{DL} = F_{DL_low} + 0.1(N_{DL} - N_{Offs-DL})$$

The relation between EARFCN and the carrier frequency in MHz for the uplink is given by the following equation where F_{UL_low} and $N_{Offs-UL}$ are given in table 5.7.3-1 and N_{UL} is the uplink EARFCN.

$$F_{UL} = F_{UL_low} + 0.1(N_{UL} - N_{Offs-UL})$$

Table 5.7.3-1 E-UTRA channel numbers

| E-UTRA Operating Band | Downlink | | | Uplink | | |
|-----------------------|---------------------|---------------|-------------------|---------------------|---------------|-------------------|
| | F_{DL_low} [MHz] | $N_{Offs-DL}$ | Range of N_{DL} | F_{UL_low} [MHz] | $N_{Offs-UL}$ | Range of N_{UL} |
| 1 | 2110 | 0 | 0 – 599 | 1920 | 18000 | 18000 – 18599 |
| 2 | 1930 | 600 | 600 – 1199 | 1850 | 18600 | 18600 – 19199 |
| 3 | 1805 | 1200 | 1200 – 1949 | 1710 | 19200 | 19200 – 19949 |
| 4 | 2110 | 1950 | 1950 – 2399 | 1710 | 19950 | 19950 – 20399 |
| 5 | 869 | 2400 | 2400 – 2649 | 824 | 20400 | 20400 – 20649 |
| 6 | 875 | 2650 | 2650 – 2749 | 830 | 20650 | 20650 – 20749 |
| 7 | 2620 | 2750 | 2750 – 3449 | 2500 | 20750 | 20750 – 21449 |
| 8 | 925 | 3450 | 3450 – 3799 | 880 | 21450 | 21450 – 21799 |
| 9 | 1844.9 | 3800 | 3800 – 4149 | 1749.9 | 21800 | 21800 – 22149 |
| 10 | 2110 | 4150 | 4150 – 4749 | 1710 | 22150 | 22150 – 22749 |
| 11 | 1475.9 | 4750 | 4750 – 4949 | 1427.9 | 22750 | 22750 – 22949 |
| 12 | 729 | 5010 | 5010 – 5179 | 699 | 23010 | 23010 – 23179 |
| 13 | 746 | 5180 | 5180 – 5279 | 777 | 23180 | 23180 – 23279 |
| 14 | 758 | 5280 | 5280 – 5379 | 788 | 23280 | 23280 – 23379 |
| ... | | | | | | |
| 17 | 734 | 5730 | 5730 – 5849 | 704 | 23730 | 23730 – 23849 |
| 18 | 860 | 5850 | 5850 – 5999 | 815 | 23850 | 23850 – 23999 |
| 19 | 875 | 6000 | 6000 – 6149 | 830 | 24000 | 24000 – 24149 |
| 20 | 791 | 6150 | 6150 – 6449 | 832 | 24150 | 24150 – 24449 |
| 21 | 1495.9 | 6450 | 6450 – 6599 | 1447.9 | 24450 | 24450 – 24599 |
| ... | | | | | | |
| 33 | 1900 | 36000 | 36000 – 36199 | 1900 | 36000 | 36000 – 36199 |
| 34 | 2010 | 36200 | 36200 – 36349 | 2010 | 36200 | 36200 – 36349 |
| 35 | 1850 | 36350 | 36350 – 36949 | 1850 | 36350 | 36350 – 36949 |
| 36 | 1930 | 36950 | 36950 – 37549 | 1930 | 36950 | 36950 – 37549 |
| 37 | 1910 | 37550 | 37550 – 37749 | 1910 | 37550 | 37550 – 37749 |
| 38 | 2570 | 37750 | 37750 – 38249 | 2570 | 37750 | 37750 – 38249 |
| 39 | 1880 | 38250 | 38250 – 38649 | 1880 | 38250 | 38250 – 38649 |
| 40 | 2300 | 38650 | 38650 – 39649 | 2300 | 38650 | 38650 – 39649 |

NOTE: The channel numbers that designate carrier frequencies so close to the operating band edges that the carrier extends beyond the operating band edge shall not be used. This implies that the first 7, 15, 25, 50, 75 and 100 channel numbers at the lower operating band edge and the last 6, 14, 24, 49, 74 and 99 channel numbers at the upper operating band edge shall not be used for channel bandwidths of 1.4, 3, 5, 10, 15 and 20 MHz respectively.

6 Transmitter characteristics

6.1 General

Unless otherwise stated, the requirements in clause 6 are expressed for a single transmitter antenna connector. In case of transmit diversity or MIMO transmission, the requirements apply for each transmitter antenna connector.

Unless otherwise stated, the transmitter characteristics are specified at the BS antenna connector (test port A) with a full complement of transceivers for the configuration in normal operating conditions. If any external apparatus such as a TX amplifier, a filter or the combination of such devices is used, requirements apply at the far end antenna connector (port B).

Unless otherwise stated the requirements in clause 6 applies at all times, i.e. during the Transmitter ON period, the Transmitter OFF period and the Transmitter transient period.

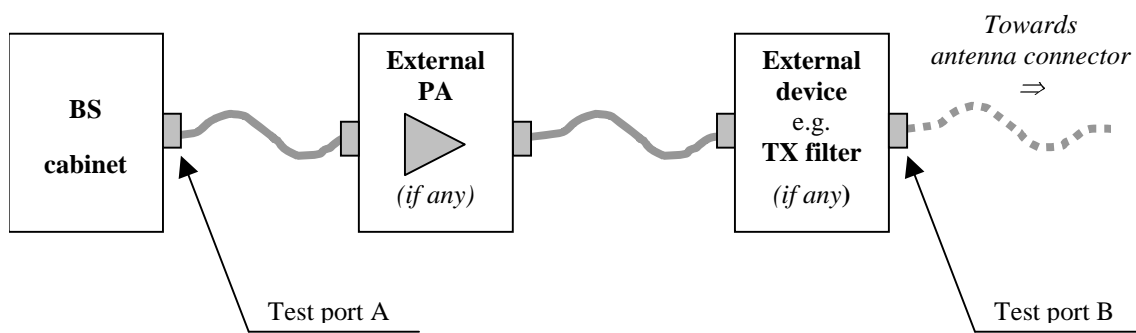


Figure 6.1-1: Transmitter test ports

6.2 Base station output power

Output power, P_{out} , of the base station is the mean power of one carrier delivered to a load with resistance equal to the nominal load impedance of the transmitter.

Maximum output power, P_{max} , of the base station is the mean power level per carrier measured at the antenna connector during the transmitter ON period in a specified reference condition.

Rated output power, $PRAT$, of the base station is the mean power level per carrier that the manufacturer has declared to be available at the antenna connector during the transmitter ON period.

The rated output power, $PRAT$, of the BS shall be as specified in Table 6.2-1.

Table 6.2-1: Base Station rated output power

| BS class | PRAT |
|---|--|
| Wide Area BS | - (note) |
| Local Area BS | $\leq + 24$ dBm (for one transmit antenna port) $\leq + 21$ dBm (for two transmit antenna ports) $\leq + 18$ dBm (for four transmit antenna ports) |
| Home BS | $\leq + 20$ dBm (for one transmit antenna port) $\leq + 17$ dBm (for two transmit antenna ports) $\leq + 14$ dBm (for four transmit antenna ports) |
| NOTE: There is no upper limit for the rated output power of the Wide Area Base Station. | |

6.2.1 Minimum requirement

In normal conditions, the base station maximum output power shall remain within +2 dB and -2 dB of the rated output power declared by the manufacturer.

In extreme conditions, the base station maximum output power shall remain within +2.5 dB and -2.5 dB of the rated output power declared by the manufacturer.

In certain regions, the minimum requirement for normal conditions may apply also for some conditions outside the range of conditions defined as normal.

6.2.2 Additional requirement (regional)

For Band 34 operation in Japan, the rated output power declared by the manufacturer shall be less than or equal to the values specified in Table 6.2.2-1.

Table 6.2.2-1: Regional requirements for Band 34 for rated output power declared by the manufacturer.

| Channel bandwidth BW_{Channel} [MHz] | 1.4 | 3 | 5 | 10 | 15 | 20 |
|--|-----|-----|----|----|----|-----|
| Maximum output power [W] | N/A | N/A | 20 | 40 | 60 | N/A |

6.2.3 Home BS output power for adjacent UTRA channel protection

The Home BS shall be capable of adjusting the transmitter output power to minimize the interference level on the adjacent channels licensed to other operators in the same geographical area while optimize the Home BS coverage. These requirements are only applicable to Home BS. The requirements in this clause are applicable for AWGN radio propagation conditions.

The output power, P_{out} , of the Home BS shall be as specified in Table 6.2.3-1 under the following input conditions:

- $CPICH \hat{E}_c$, measured in dBm, is the code power of the Primary CPICH on one of the adjacent channels present at the Home BS antenna connector for the CPICH received on the adjacent channels. If Tx diversity is applied on the Primary CPICH, $CPICH \hat{E}_c$ shall be the sum in [W] of the code powers of the Primary CPICH transmitted from each antenna.
- I_{oh} , measured in dBm, is the total received power density, including signals and interference but excluding the own Home BS signal, present at the Home BS antenna connector on the Home BS operating channel.

In case that both adjacent channels are licensed to other operators, the most stringent requirement shall apply for P_{out} . In the case when one of the adjacent channels is licensed to an E-UTRA operator while the other adjacent channel is licensed to an UTRA operator, the more stringent requirement of this subclause and subclause 6.2.4 shall apply for P_{out} . In case the Home BS's operating channel and both adjacent channels are licensed to the same operator, the requirements of this clause do not apply.

The input conditions defined for the requirements in this section are specified at the antenna connector of the Home BS. For Home BS receivers with diversity, the requirements apply to each antenna connector separately, with the other one(s) terminated or disabled. The requirements are otherwise unchanged. For Home BS(s) without measurement capability, a reference antenna with a gain of 0 dBi is assumed for converting these power levels into field strength requirements.

Table 6.2.3-1: Home BS output power for adjacent operator UTRA channel protection

| Input Conditions | Output power, P_{out} |
|--|--|
| $I_{oh} > CPICH \hat{E}_c + 43$ dB And $CPICH \hat{E}_c \geq -105$ dBm | ≤ 10 dBm |
| $I_{oh} \leq CPICH \hat{E}_c + 43$ dB and $CPICH \hat{E}_c \geq -105$ dBm | $\leq \max(8 \text{ dBm}, \min(20 \text{ dBm}, CPICH \hat{E}_c + 100 \text{ dB}))$ |

Note 1: The Home BS transmitter output power specified in Table 6.2.3-1 assumes a Home BS reference antenna gain of 0 dBi, an target outage zone of 47dB around the Home BS for an UE on the adjacent channel, with an allowance of 2 dB for measurement errors, an ACIR of 33 dB, an adjacent channel UE CPICH \hat{E}_c/I_o target of -18 dB and the same CPICH \hat{E}_c value at the adjacent channel UE as for the Home BS.

Note 2: For $CPICH \hat{E}_c < -105$ dBm, the requirements in subclauses 6.2.1 and 6.2.2 apply.

Note 3: The output power P_{out} is the sum transmit power across all the antennas of the Home BS, with each transmit power measured at the respective antenna connectors.

6.2.4 Home BS output power for adjacent E-UTRA channel protection

The Home BS shall be capable of adjusting the transmitter output power to minimize the interference level on the adjacent channels licensed to other operators in the same geographical area while optimize the Home BS coverage. These requirements are only applicable to Home BS. The requirements in this clause are applicable for AWGN radio propagation conditions.

The output power, P_{out} , of the Home BS shall be as specified in Table 6.2. 4-1 under the following input conditions:

- $CRS \hat{E}_c$, measured in dBm, is the Reference Signal Received Power per resource element on one of the adjacent channels present at the Home BS antenna connector for the Reference Signal received on the adjacent channels. For $CRS \hat{E}_c$ determination, the cell-specific reference signal R0 according TS 36.211 [3] shall be used. If the Home BS can reliably detect that multiple TX antennas are used for transmission on the adjacent channel, it may use the average in [W] of the $CRS \hat{E}_c$ on all detected antennas.
- I_{oh} , measured in dBm, is the total received power density, including signals and interference but excluding the own Home BS signal, present at the Home BS antenna connector on the Home BS operating channel.

In case that both adjacent channels are licensed to other operators, the most stringent requirement shall apply for P_{out} . In the case when one of the adjacent channels is licensed to an E-UTRA operator while the other adjacent channel is licensed to an UTRA operator, the more stringent requirement of this subclause and subclause 6.2.3 shall apply for P_{out} . In case the Home BS's operating channel and both adjacent channels are licensed to the same operator, the requirements of this clause do not apply.

The input conditions defined for the requirements in this section are specified at the antenna connector of the Home BS. For Home BS receivers with diversity, the requirements apply to each antenna connector separately, with the other one(s) terminated or disabled. The requirements are otherwise unchanged. For Home BS(s) without measurement

capability, a reference antenna with a gain of 0 dBi is assumed for converting these power levels into field strength requirements.

Table 6.2. 4-1: Home BS output power for adjacent operator E-UTRA channel protection

| Input Conditions | Output power, P _{out} |
|--|--|
| $l_{oh} > \text{CRS } \hat{E}_c +$ $10 \cdot \log_{10}(N_{RB}^{DL} \cdot N_{sc}^{RB})$ $+ 30 \text{ dB}$ and $\text{CRS } \hat{E}_c \geq -127 \text{ dBm}$ | $\leq 10 \text{ dBm}$ |
| $l_{oh} \leq \text{CRS } \hat{E}_c +$ $10 \cdot \log_{10}(N_{RB}^{DL} \cdot N_{sc}^{RB})$ $+ 30 \text{ dB}$ and $\text{CRS } \hat{E}_c \geq -127 \text{ dBm}$ | $\leq \max(8 \text{ dBm}, \min(20 \text{ dBm},$ $\text{CRS } \hat{E}_c +$ $10 \cdot \log_{10}(N_{RB}^{DL} \cdot N_{sc}^{RB})$ $+ 85 \text{ dB}))$ |

Note 1: The Home BS transmitter output power specified in Table 6.2. 4-1 assumes a Home BS reference antenna gain of 0 dBi, an target outage zone of 47dB around the Home BS for an UE on the adjacent channel, with an allowance of 2 dB for measurement errors, an ACIR of 30 dB, an adjacent channel UE \hat{E}_s /ot target of -6 dB and the same CRS \hat{E}_c value at the adjacent channel UE as for the Home BS.

Note 2: For $\text{CRS } \hat{E}_c < -127 \text{ dBm}$, the requirements in subclauses 6.2.1 and 6.2.2 apply.

Note 3: The output power P_{out} is the sum transmit power across all the antennas of the Home BS, with each transmit power measured at the respective antenna connectors.

Note 4: N_{RB}^{DL} is the number of downlink resource blocks in the own Home BS channel.

Note 5: N_{sc}^{RB} is the number of subcarriers in a resource block, $N_{sc}^{RB} = 12$.

6.3 Output power dynamics

The requirements in subclause 6.3 apply during the transmitter ON period. Transmit signal quality (as specified in subclause 6.5) shall be maintained for the output power dynamics requirements of this Clause.

Power control is used to limit the interference level.

6.3.1 RE Power control dynamic range

The RE power control dynamic range is the difference between the power of an RE and the average RE power for a BS at maximum output power for a specified reference condition.

6.3.1.1 Minimum requirements

RE power control dynamic range:

Table 6.3.1.1-1 E-UTRA BS RE power control dynamic range

| Modulation scheme used on the RE | RE power control dynamic range (dB) | |
|--|-------------------------------------|------|
| | (down) | (up) |
| QPSK (PDCCH) | -6 | +4 |
| QPSK (PDSCH) | -6 | +3 |
| 16QAM (PDSCH) | -3 | +3 |
| 64QAM (PDSCH) | 0 | 0 |
| NOTE 1: Total TX power shall always be less or equal to maximum BS output power. | | |

6.3.2 Total power dynamic range

The total power dynamic range is the difference between the maximum and the minimum transmit power of an OFDM symbol for a specified reference condition.

NOTE: The upper limit of the dynamic range is the OFDM symbol power for a BS at maximum output power. The lower limit of the dynamic range is the OFDM symbol power for a BS when one resource block is transmitted. The OFDM symbol shall carry PDSCH and not contain RS, PBCH or synchronisation signals.

6.3.2.1 Minimum requirements

The downlink (DL) total power dynamic range shall be larger than or equal to the level in Table 6.3.2.1-1.

Table 6.3.2.1-1 E-UTRA BS total power dynamic range

| E-UTRA channel bandwidth (MHz) | Total power dynamic range (dB) |
|--------------------------------|--------------------------------|
| 1.4 | 7.7 |
| 3 | 11.7 |
| 5 | 13.9 |
| 10 | 16.9 |
| 15 | 18.7 |
| 20 | 20 |

6.4 Transmit ON/OFF power

The requirements in subclause 6.4 are only applied for E-UTRA TDD BS.

6.4.1 Transmitter OFF power

Transmitter OFF power is defined as the mean power measured over 70 μ s filtered with a square filter of bandwidth equal to the transmission bandwidth configuration of the BS (BW_{config}) centred on the assigned channel frequency during the transmitter OFF period.

6.4.1.1 Minimum Requirement

The transmitter OFF power spectral density shall be less than -85dBm/MHz.

6.4.2 Transmitter transient period

The transmitter transient period is the time period during which the transmitter is changing from the OFF period to the ON period or vice versa. The transmitter transient period is illustrated in Figure 6.4.2-1.

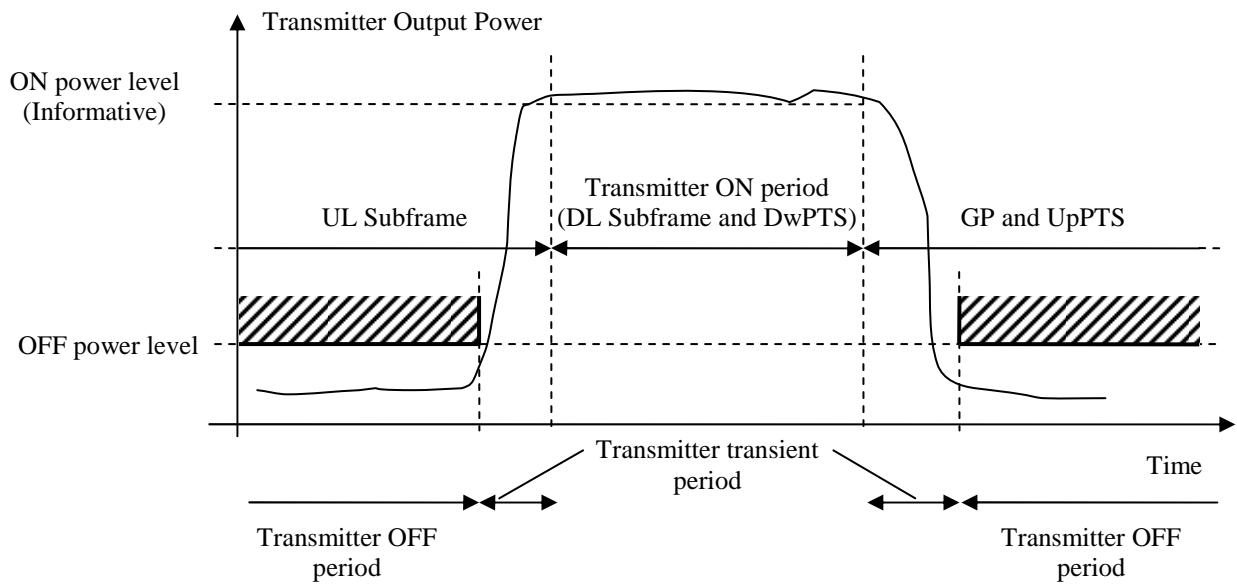


Figure 6.4.2-1 Illustration of the relations of transmitter ON period, transmitter OFF period and transmitter transient period.

6.4.2.1 Minimum requirements

The transmitter transient period shall be shorter than the values listed in Table 6.4.2.1-1.

Table 6.4.2.1-1 Minimum requirements for the transmitter transient period

| Transition | Transient period length [us] |
|------------|------------------------------|
| OFF to ON | 17 |
| ON to OFF | 17 |

6.5 Transmitted signal quality

The requirements in subclause 6.5 apply to the transmitter ON period.

6.5.1 Frequency error

Frequency error is the measure of the difference between the actual BS transmit frequency and the assigned frequency. The same source shall be used for RF frequency and data clock generation.

6.5.1.1 Minimum requirement

The modulated carrier frequency of the BS shall be accurate to within the accuracy range given in Table 6.5.1-1 observed over a period of one subframe (1ms).

Table 6.5.1-1: Frequency error minimum requirement

| BS class | Accuracy |
|---------------|----------------|
| Wide Area BS | ± 0.05 ppm |
| Local Area BS | ± 0.1 ppm |
| Home BS | ± 0.25 ppm |

6.5.2 Error Vector Magnitude

The Error Vector Magnitude is a measure of the difference between the ideal symbols and the measured symbols after the equalization. This difference is called the error vector. The equaliser parameters are estimated as defined in Annex E. The EVM result is defined as the square root of the ratio of the mean error vector power to the mean reference power expressed in percent.

For all bandwidths, the EVM measurement shall be performed over all allocated resource blocks and downlink subframes within 10ms measurement periods. The boundaries of the EVM measurement periods need not be aligned with radio frame boundaries. The EVM value is then calculated as the mean square root of the measured values. The EVM for different modulation schemes on PDSCH shall be better than the limits in table 6.5.2-1:

Table 6.5.2-1 EVM requirements

| Modulation scheme for PDSCH | Required EVM [%] |
|-----------------------------|------------------|
| QPSK | 17.5 % |
| 16QAM | 12.5 % |
| 64QAM | 8 % |

6.5.3 Time alignment between transmitter branches

In Tx Diversity and spatial multiplexing, signals are transmitted from two or more antennas. These signals shall be aligned. The time alignment error in Tx Diversity and spatial multiplexing transmission is specified as the delay between the signals from two antennas at the antenna ports.

6.5.3.1 Minimum Requirement

The time alignment error in Tx Diversity or spatial multiplexing for any possible configuration of two transmit antennas shall not exceed 65 ns.

6.5.4 DL RS power

DL RS power is the resource element power of the Downlink Reference Symbol.

The absolute DL RS power is indicated on the DL-SCH. The absolute accuracy is defined as the maximum deviation between the DL RS power indicated on the DL-SCH and the DL RS power at the BS antenna connector.

6.5.4.1 Minimum requirements

DL RS power shall be within ± 2.1 dB of the DL RS power indicated on the DL-SCH

6.6 Unwanted emissions

Unwanted emissions consist of out-of-band emissions and spurious emissions [2]. Out of band emissions are unwanted emissions immediately outside the channel bandwidth resulting from the modulation process and non-linearity in the transmitter but excluding spurious emissions. Spurious emissions are emissions which are caused by unwanted transmitter effects such as harmonics emission, parasitic emission, intermodulation products and frequency conversion products, but exclude out of band emissions.

The out-of-band emissions requirement for the BS transmitter is specified both in terms of Adjacent Channel Leakage power Ratio (ACLR) and Operating band unwanted emissions. The Operating band unwanted emissions define all unwanted emissions in the downlink operating band plus the frequency ranges 10 MHz above and 10 MHz below the band. Unwanted emissions outside of this frequency range are limited by a spurious emissions requirement.

There is in addition a requirement for occupied bandwidth.

6.6.1 Occupied bandwidth

The occupied bandwidth is the width of a frequency band such that, below the lower and above the upper frequency limits, the mean powers emitted are each equal to a specified percentage $\beta/2$ of the total mean transmitted power. See also ITU-R Recommendation SM.328 [5].

The value of $\beta/2$ shall be taken as 0.5%.

The requirement applies during the transmitter ON period.

6.6.1.1 Minimum requirement

The occupied bandwidth shall be less than the channel bandwidth as defined in Table 5.6-1.

6.6.2 Adjacent Channel Leakage power Ratio (ACLR)

Adjacent Channel Leakage power Ratio (ACLR) is the ratio of the filtered mean power centred on the assigned channel frequency to the filtered mean power centred on an adjacent channel frequency.

The requirements shall apply whatever the type of transmitter considered (single carrier or multi-carrier). It applies for all transmission modes foreseen by the manufacturer's specification. For a multi-carrier BS, the requirement applies for the adjacent channel frequencies below the lowest carrier frequency transmitted by the BS and above the highest carrier frequency transmitted by the BS for each supported multi-carrier transmission configuration. The requirement applies during the transmitter ON period.

6.6.2.1 Minimum requirement

The ACLR is defined with a square filter of bandwidth equal to the transmission bandwidth configuration of the transmitted signal (BW_{Config}) centred on the assigned channel frequency and a filter centred on the adjacent channel frequency according to the tables below.

For Category A Wide Area BS, either the ACLR limits in the tables below or the absolute limit of -13dBm/MHz apply, whichever is less stringent.

For Category B Wide Area BS, either the ACLR limits in the tables below or the absolute limit of -15dBm/MHz apply, whichever is less stringent.

For Local Area BS, either the ACLR limits in the tables below or the absolute limit of -32dBm/MHz shall apply, whichever is less stringent.

For Home BS, either the ACLR limits in the tables below or the absolute limit of -50dBm/MHz apply, whichever is less stringent.

For operation in paired spectrum, the ACLR shall be higher than the value specified in Table 6.6.2.1-1.

Table 6.6.2.1-1: Base Station ACLR in paired spectrum

| E-UTRA transmitted signal channel bandwidth BW_{Channel} [MHz] | BS adjacent channel centre frequency offset below the first or above the last carrier centre frequency transmitted | Assumed adjacent channel carrier (informative) | Filter on the adjacent channel frequency and corresponding filter bandwidth | ACLR limit |
|---|--|--|---|------------|
| 1.4, 3.0, 5, 10, 15, 20 | BW_{Channel} | E-UTRA of same BW | Square (BW_{Config}) | 45 dB |
| | $2 \times BW_{\text{Channel}}$ | E-UTRA of same BW | Square (BW_{Config}) | 45 dB |
| | $BW_{\text{Channel}}/2 + 2.5$ MHz | 3.84 Mcps UTRA | RRC (3.84 Mcps) | 45 dB |
| | $BW_{\text{Channel}}/2 + 7.5$ MHz | 3.84 Mcps UTRA | RRC (3.84 Mcps) | 45 dB |
| NOTE 1: BW_{Channel} and BW_{Config} are the channel bandwidth and transmission bandwidth configuration of the E-UTRA transmitted signal on the assigned channel frequency. | | | | |
| NOTE 2: The RRC filter shall be equivalent to the transmit pulse shape filter defined in TS 25.104 [6], with a chip rate as defined in this table. | | | | |

For operation in unpaired spectrum, the ACLR shall be higher than the value specified in Table 6.6.2.1-2.

Table 6.6.2.1-2: Base Station ACLR in unpaired spectrum with synchronized operation

| E-UTRA transmitted signal channel bandwidth BW_{Channel} [MHz] | BS adjacent channel centre frequency offset below the first or above the last carrier centre frequency transmitted | Assumed adjacent channel carrier (informative) | Filter on the adjacent channel frequency and corresponding filter bandwidth | ACLR limit |
|---|--|--|---|------------|
| 1.4, 3 | BW_{Channel} | E-UTRA of same BW | Square (BW_{Config}) | 45 dB |
| | $2 \times BW_{\text{Channel}}$ | E-UTRA of same BW | Square (BW_{Config}) | 45 dB |
| | $BW_{\text{Channel}}/2 + 0.8$ MHz | 1.28 Mcps UTRA | RRC (1.28 Mcps) | 45 dB |
| | $BW_{\text{Channel}}/2 + 2.4$ MHz | 1.28 Mcps UTRA | RRC (1.28 Mcps) | 45 dB |
| 5, 10, 15, 20 | BW_{Channel} | E-UTRA of same BW | Square (BW_{Config}) | 45 dB |
| | $2 \times BW_{\text{Channel}}$ | E-UTRA of same BW | Square (BW_{Config}) | 45 dB |
| | $BW_{\text{Channel}}/2 + 0.8$ MHz | 1.28 Mcps UTRA | RRC (1.28 Mcps) | 45 dB |
| | $BW_{\text{Channel}}/2 + 2.4$ MHz | 1.28 Mcps UTRA | RRC (1.28 Mcps) | 45 dB |
| | $BW_{\text{Channel}}/2 + 2.5$ MHz | 3.84 Mcps UTRA | RRC (3.84 Mcps) | 45 dB |
| | $BW_{\text{Channel}}/2 + 7.5$ MHz | 3.84 Mcps UTRA | RRC (3.84 Mcps) | 45 dB |
| | $BW_{\text{Channel}}/2 + 5$ MHz | 7.68 Mcps UTRA | RRC (7.68 Mcps) | 45 dB |
| | $BW_{\text{Channel}}/2 + 15$ MHz | 7.68 Mcps UTRA | RRC (7.68 Mcps) | 45 dB |
| NOTE 1: BW_{Channel} and BW_{Config} are the channel bandwidth and transmission bandwidth configuration of the E-UTRA transmitted signal on the assigned channel frequency. | | | | |
| NOTE 2: The RRC filter shall be equivalent to the transmit pulse shape filter defined in TS 25.105 [7], with a chip rate as defined in this table. | | | | |

6.6.3 Operating band unwanted emissions

Unless otherwise stated, the Operating band unwanted emission limits are defined from 10 MHz below the lowest frequency of the downlink operating band up to 10 MHz above the highest frequency of the downlink operating band.

The requirements shall apply whatever the type of transmitter considered (single carrier or multi-carrier) and for all transmission modes foreseen by the manufacturer's specification.

The unwanted emission limits in the part of the downlink operating band that falls in the spurious domain are consistent with ITU-R Recommendation SM.329 [2].

Emissions shall not exceed the maximum levels specified in the tables below, where:

- Δf is the separation between the channel edge frequency and the nominal -3dB point of the measuring filter closest to the carrier frequency.
- f_{offset} is the separation between the channel edge frequency and the centre of the measuring filter.
- $f_{\text{offset}_{\text{max}}}$ is the offset to the frequency 10 MHz outside the downlink operating band.
- Δf_{max} is equal to $f_{\text{offset}_{\text{max}}}$ minus half of the bandwidth of the measuring filter.

For a multicarrier E-UTRA BS the definitions above apply to the lower edge of the carrier transmitted at the lowest carrier frequency and the higher edge of the carrier transmitted at the highest carrier frequency.

For Wide Area BS, the requirements of either subclause 6.6.3.1 (Category A limits) or subclause 6.6.3.2 (Category B limits) shall apply.

For Local Area BS, the requirements of subclause 6.6.3.2A shall apply (Category A and B).

For Home BS, the requirements of subclause 6.6.3.2B shall apply (Category A and B).

The application of either Category A or Category B limits shall be the same as for Transmitter spurious emissions (Mandatory Requirements) in subclause 6.6.4.1.

6.6.3.1 Minimum requirements for Wide Area BS (Category A)

For E-UTRA BS operating in Bands 5, 6, 8, 12, 13, 14, 17, 18, 19, emissions shall not exceed the maximum levels specified in Tables 6.6.3.1-1 to 6.6.3.1-3.

Table 6.6.3.1-1: General operating band unwanted emission limits for 1.4 MHz channel bandwidth (E-UTRA bands <1GHz) for Category A

| Frequency offset of measurement filter -3dB point, Δf | Frequency offset of measurement filter centre frequency, f_{offset} | Minimum requirement | Measurement bandwidth (Note 1) |
|---|--|--|--------------------------------|
| $0 \text{ MHz} \leq \Delta f < 1.4 \text{ MHz}$ | $0.05 \text{ MHz} \leq f_{\text{offset}} < 1.45 \text{ MHz}$ | $-1\text{dBm} - \frac{10}{1.4} \cdot \left(\frac{f_{\text{offset}}}{\text{MHz}} - 0.05 \right) \text{dB}$ | 100 kHz |
| $1.4 \text{ MHz} \leq \Delta f < 2.8 \text{ MHz}$ | $1.45 \text{ MHz} \leq f_{\text{offset}} < 2.85 \text{ MHz}$ | -11 dBm | 100 kHz |
| $2.8 \text{ MHz} \leq \Delta f \leq \Delta f_{\text{max}}$ | $2.85 \text{ MHz} \leq f_{\text{offset}} < f_{\text{offset}_{\text{max}}}$ | -13 dBm | 100 kHz |

Table 6.6.3.1-2: General operating band unwanted emission limits for 3 MHz channel bandwidth (E-UTRA bands <1GHz) for Category A

| Frequency offset of measurement filter -3dB point, Δf | Frequency offset of measurement filter centre frequency, f_{offset} | Minimum requirement | Measurement bandwidth (Note 1) |
|---|--|--|--------------------------------|
| $0 \text{ MHz} \leq \Delta f < 3 \text{ MHz}$ | $0.05 \text{ MHz} \leq f_{\text{offset}} < 3.05 \text{ MHz}$ | $-5\text{dBm} - \frac{10}{3} \cdot \left(\frac{f_{\text{offset}}}{\text{MHz}} - 0.05 \right) \text{dB}$ | 100 kHz |
| $3 \text{ MHz} \leq \Delta f < 6 \text{ MHz}$ | $3.05 \text{ MHz} \leq f_{\text{offset}} < 6.05 \text{ MHz}$ | -15 dBm | 100 kHz |
| $6 \text{ MHz} \leq \Delta f \leq \Delta f_{\text{max}}$ | $6.05 \text{ MHz} \leq f_{\text{offset}} < f_{\text{offset}_{\text{max}}}$ | -13 dBm | 100 kHz |

Table 6.6.3.1-3: General operating band unwanted emission limits for 5, 10, 15 and 20 MHz channel bandwidth (E-UTRA bands <1GHz) for Category A

| Frequency offset of measurement filter -3dB point, Δf | Frequency offset of measurement filter centre frequency, f_{offset} | Minimum requirement | Measurement bandwidth (Note 1) |
|---|---|--|--------------------------------|
| $0 \text{ MHz} \leq \Delta f < 5 \text{ MHz}$ | $0.05 \text{ MHz} \leq f_{\text{offset}} < 5.05 \text{ MHz}$ | $-7 \text{ dBm} - \frac{7}{5} \cdot \left(\frac{f_{\text{offset}}}{\text{MHz}} - 0.05 \right) \text{ dB}$ | 100 kHz |
| $5 \text{ MHz} \leq \Delta f < \min(10 \text{ MHz}, \Delta f_{\text{max}})$ | $5.05 \text{ MHz} \leq f_{\text{offset}} < \min(10.05 \text{ MHz}, f_{\text{offset}_{\text{max}}})$ | -14 dBm | 100 kHz |
| $10 \text{ MHz} \leq \Delta f \leq \Delta f_{\text{max}}$ | $10.05 \text{ MHz} \leq f_{\text{offset}} < f_{\text{offset}_{\text{max}}}$ | -13 dBm (Note 5) | 100 kHz |

For E-UTRA BS operating in Bands 1, 2, 3, 4, 7, 9, 10, 11, 21, 33, 34, 35, 36, 37, 38, 39, 40, emissions shall not exceed the maximum levels specified in Tables 6.6.3.1-4 to 6.6.3.1-6:

Table 6.6.3.1-4: General operating band unwanted emission limits for 1.4 MHz channel bandwidth (E-UTRA bands >1GHz) for Category A

| Frequency offset of measurement filter -3dB point, Δf | Frequency offset of measurement filter centre frequency, f_{offset} | Minimum requirement | Measurement bandwidth (Note 1) |
|---|--|---|--------------------------------|
| $0 \text{ MHz} \leq \Delta f < 1.4 \text{ MHz}$ | $0.05 \text{ MHz} \leq f_{\text{offset}} < 1.45 \text{ MHz}$ | $-1 \text{ dBm} - \frac{10}{1.4} \cdot \left(\frac{f_{\text{offset}}}{\text{MHz}} - 0.05 \right) \text{ dB}$ | 100 kHz |
| $1.4 \text{ MHz} \leq \Delta f < 2.8 \text{ MHz}$ | $1.45 \text{ MHz} \leq f_{\text{offset}} < 2.85 \text{ MHz}$ | -11 dBm | 100 kHz |
| $2.8 \text{ MHz} \leq \Delta f \leq \Delta f_{\text{max}}$ | $3.3 \text{ MHz} \leq f_{\text{offset}} < f_{\text{offset}_{\text{max}}}$ | -13 dBm | 1MHz |

Table 6.6.3.1-5: General operating band unwanted emission limits for 3 MHz channel bandwidth (E-UTRA bands >1GHz) for Category A

| Frequency offset of measurement filter -3dB point, Δf | Frequency offset of measurement filter centre frequency, f_{offset} | Minimum requirement | Measurement bandwidth (Note 1) |
|---|--|---|--------------------------------|
| $0 \text{ MHz} \leq \Delta f < 3 \text{ MHz}$ | $0.05 \text{ MHz} \leq f_{\text{offset}} < 3.05 \text{ MHz}$ | $-5 \text{ dBm} - \frac{10}{3} \cdot \left(\frac{f_{\text{offset}}}{\text{MHz}} - 0.05 \right) \text{ dB}$ | 100 kHz |
| $3 \text{ MHz} \leq \Delta f < 6 \text{ MHz}$ | $3.05 \text{ MHz} \leq f_{\text{offset}} < 6.05 \text{ MHz}$ | -15 dBm | 100 kHz |
| $6 \text{ MHz} \leq \Delta f \leq \Delta f_{\text{max}}$ | $6.5 \text{ MHz} \leq f_{\text{offset}} < f_{\text{offset}_{\text{max}}}$ | -13 dBm | 1MHz |

Table 6.6.3.1-6: General operating band unwanted emission limits for 5, 10, 15 and 20 MHz channel bandwidth (E-UTRA bands >1GHz) for Category A

| Frequency offset of measurement filter -3dB point, Δf | Frequency offset of measurement filter centre frequency, f_{offset} | Minimum requirement | Measurement bandwidth (Note 1) |
|---|---|--|--------------------------------|
| $0 \text{ MHz} \leq \Delta f < 5 \text{ MHz}$ | $0.05 \text{ MHz} \leq f_{\text{offset}} < 5.05 \text{ MHz}$ | $-7 \text{ dBm} - \frac{7}{5} \cdot \left(\frac{f_{\text{offset}}}{\text{MHz}} - 0.05 \right) \text{ dB}$ | 100 kHz |
| $5 \text{ MHz} \leq \Delta f < \min(10 \text{ MHz}, \Delta f_{\text{max}})$ | $5.05 \text{ MHz} \leq f_{\text{offset}} < \min(10.05 \text{ MHz}, f_{\text{offset}_{\text{max}}})$ | -14 dBm | 100 kHz |
| $10 \text{ MHz} \leq \Delta f \leq \Delta f_{\text{max}}$ | $10.5 \text{ MHz} \leq f_{\text{offset}} < f_{\text{offset}_{\text{max}}}$ | -13 dBm (Note 5) | 1MHz |

6.6.3.2 Minimum requirements for Wide Area BS (Category B)

For Category B Operating band unwanted emissions, there are two options for the limits that may be applied regionally. Either the limits in subclause 6.6.3.2.1 or subclause 6.6.3.2.2 shall be applied.

6.6.3.2.1 Category B requirements (Option 1)

For E-UTRA BS operating in Bands 5, 8, 12, 13, 14, 17, 20, emissions shall not exceed the maximum levels specified in Tables 6.6.3.2.1-1 to 6.6.3.2.1-3:

Table 6.6.3.2.1-1: General operating band unwanted emission limits for 1.4 MHz channel bandwidth (E-UTRA bands <1GHz) for Category B

| Frequency offset of measurement filter -3dB point, Δf | Frequency offset of measurement filter centre frequency, f_{offset} | Minimum requirement | Measurement bandwidth (Note 1) |
|---|--|--|--------------------------------|
| $0 \text{ MHz} \leq \Delta f < 1.4 \text{ MHz}$ | $0.05 \text{ MHz} \leq f_{\text{offset}} < 1.45 \text{ MHz}$ | $-1\text{dBm} - \frac{10}{1.4} \cdot \left(\frac{f_{\text{offset}}}{\text{MHz}} - 0.05 \right) \text{dB}$ | 100 kHz |
| $1.4 \text{ MHz} \leq \Delta f < 2.8 \text{ MHz}$ | $1.45 \text{ MHz} \leq f_{\text{offset}} < 2.85 \text{ MHz}$ | -11 dBm | 100 kHz |
| $2.8 \text{ MHz} \leq \Delta f \leq \Delta f_{\text{max}}$ | $2.85 \text{ MHz} \leq f_{\text{offset}} < f_{\text{offset}_{\text{max}}}$ | -16 dBm | 100 kHz |

Table 6.6.3.2.1-2: General operating band unwanted emission limits for 3 MHz channel bandwidth (E-UTRA bands <1GHz) for Category B

| Frequency offset of measurement filter -3dB point, Δf | Frequency offset of measurement filter centre frequency, f_{offset} | Minimum requirement | Measurement bandwidth (Note 1) |
|---|--|--|--------------------------------|
| $0 \text{ MHz} \leq \Delta f < 3 \text{ MHz}$ | $0.05 \text{ MHz} \leq f_{\text{offset}} < 3.05 \text{ MHz}$ | $-5\text{dBm} - \frac{10}{3} \cdot \left(\frac{f_{\text{offset}}}{\text{MHz}} - 0.05 \right) \text{dB}$ | 100 kHz |
| $3 \text{ MHz} \leq \Delta f < 6 \text{ MHz}$ | $3.05 \text{ MHz} \leq f_{\text{offset}} < 6.05 \text{ MHz}$ | -15 dBm | 100 kHz |
| $6 \text{ MHz} \leq \Delta f \leq \Delta f_{\text{max}}$ | $6.05 \text{ MHz} \leq f_{\text{offset}} < f_{\text{offset}_{\text{max}}}$ | -16 dBm | 100 kHz |

Table 6.6.3.2.1-3: General operating band unwanted emission limits for 5, 10, 15 and 20 MHz channel bandwidth (E-UTRA bands <1GHz) for Category B

| Frequency offset of measurement filter -3dB point, Δf | Frequency offset of measurement filter centre frequency, f_{offset} | Minimum requirement | Measurement bandwidth (Note 1) |
|---|---|---|--------------------------------|
| $0 \text{ MHz} \leq \Delta f < 5 \text{ MHz}$ | $0.05 \text{ MHz} \leq f_{\text{offset}} < 5.05 \text{ MHz}$ | $-7\text{dBm} - \frac{7}{5} \cdot \left(\frac{f_{\text{offset}}}{\text{MHz}} - 0.05 \right) \text{dB}$ | 100 kHz |
| $5 \text{ MHz} \leq \Delta f < \min(10 \text{ MHz}, \Delta f_{\text{max}})$ | $5.05 \text{ MHz} \leq f_{\text{offset}} < \min(10.05 \text{ MHz}, f_{\text{offset}_{\text{max}}})$ | -14 dBm | 100 kHz |
| $10 \text{ MHz} \leq \Delta f \leq \Delta f_{\text{max}}$ | $10.05 \text{ MHz} \leq f_{\text{offset}} < f_{\text{offset}_{\text{max}}}$ | -16 dBm (Note 5) | 100 kHz |

For E-UTRA BS operating in Bands 1, 2, 3, 4, 7, 10, 33, 34, 35, 36, 37, 38, 39, 40, emissions shall not exceed the maximum levels specified in Tables 6.6.3.2.1-4 to 6.6.3.2.1-6:

Table 6.6.3.2.1-4: General operating band unwanted emission limits for 1.4 MHz channel bandwidth (E-UTRA bands >1GHz) for Category B

| Frequency offset of measurement filter -3dB point, Δf | Frequency offset of measurement filter centre frequency, f_{offset} | Minimum requirement | Measurement bandwidth (Note 1) |
|---|--|--|--------------------------------|
| $0 \text{ MHz} \leq \Delta f < 1.4 \text{ MHz}$ | $0.05 \text{ MHz} \leq f_{\text{offset}} < 1.45 \text{ MHz}$ | $-1\text{dBm} - \frac{10}{1.4} \cdot \left(\frac{f_{\text{offset}}}{\text{MHz}} - 0.05 \right) \text{dB}$ | 100 kHz |
| $1.4 \text{ MHz} \leq \Delta f < 2.8 \text{ MHz}$ | $1.45 \text{ MHz} \leq f_{\text{offset}} < 2.85 \text{ MHz}$ | -11 dBm | 100 kHz |
| $2.8 \text{ MHz} \leq \Delta f \leq \Delta f_{\text{max}}$ | $3.3 \text{ MHz} \leq f_{\text{offset}} < f_{\text{offset}_{\text{max}}}$ | -15 dBm | 1MHz |

Table 6.6.3.2.1-5: General operating band unwanted emission limits for 3 MHz channel bandwidth (E-UTRA bands >1GHz) for Category B

| Frequency offset of measurement filter -3dB point, Δf | Frequency offset of measurement filter centre frequency, f_{offset} | Minimum requirement | Measurement bandwidth (Note 1) |
|---|--|---|--------------------------------|
| $0 \text{ MHz} \leq \Delta f < 3 \text{ MHz}$ | $0.05 \text{ MHz} \leq f_{\text{offset}} < 3.05 \text{ MHz}$ | $-5 \text{ dBm} - \frac{10}{3} \cdot \left(\frac{f_{\text{offset}}}{\text{MHz}} - 0.05 \right) \text{ dB}$ | 100 kHz |
| $3 \text{ MHz} \leq \Delta f < 6 \text{ MHz}$ | $3.05 \text{ MHz} \leq f_{\text{offset}} < 6.05 \text{ MHz}$ | -15 dBm | 100 kHz |
| $6 \text{ MHz} \leq \Delta f \leq \Delta f_{\text{max}}$ | $6.5 \text{ MHz} \leq f_{\text{offset}} < f_{\text{offset}_{\text{max}}}$ | -15 dBm | 1MHz |

Table 6.6.3.2.1-6: General operating band unwanted emission limits for 5, 10, 15 and 20 MHz channel bandwidth (E-UTRA bands >1GHz) for Category B

| Frequency offset of measurement filter -3dB point, Δf | Frequency offset of measurement filter centre frequency, f_{offset} | Minimum requirement | Measurement bandwidth (Note 1) |
|---|---|--|--------------------------------|
| $0 \text{ MHz} \leq \Delta f < 5 \text{ MHz}$ | $0.05 \text{ MHz} \leq f_{\text{offset}} < 5.05 \text{ MHz}$ | $-7 \text{ dBm} - \frac{7}{5} \cdot \left(\frac{f_{\text{offset}}}{\text{MHz}} - 0.05 \right) \text{ dB}$ | 100 kHz |
| $5 \text{ MHz} \leq \Delta f < \min(10 \text{ MHz}, \Delta f_{\text{max}})$ | $5.05 \text{ MHz} \leq f_{\text{offset}} < \min(10.05 \text{ MHz}, f_{\text{offset}_{\text{max}}})$ | -14 dBm | 100 kHz |
| $10 \text{ MHz} \leq \Delta f \leq \Delta f_{\text{max}}$ | $10.5 \text{ MHz} \leq f_{\text{offset}} < f_{\text{offset}_{\text{max}}}$ | -15 dBm (Note 5) | 1MHz |

6.6.3.2.2 Category B (Option 2)

The limits in this subclause are intended for Europe and may be applied regionally for BS operating in band 1, 3, 8, 33 or 34.

For a BS operating in band 1, 3, 8, 33 or 34, emissions shall not exceed the maximum levels specified in Table 6.6.3.2.2-1 below for 5, 10, 15 and 20 MHz channel bandwidth:

Table 6.6.3.2.2-1: Regional operating band unwanted emission limits in band 3 and 8 for 5, 10, 15 and 20 MHz channel bandwidth for Category B

| Frequency offset of measurement filter -3dB point, Δf | Frequency offset of measurement filter centre frequency, f_{offset} | Minimum requirement | Measurement bandwidth (Note 3) |
|--|---|---|--------------------------------|
| $0 \text{ MHz} \leq \Delta f < 0.2 \text{ MHz}$ | $0.015 \text{ MHz} \leq f_{\text{offset}} < 0.215 \text{ MHz}$ | -14 dBm | 30 kHz |
| $0.2 \text{ MHz} \leq \Delta f < 1 \text{ MHz}$ | $0.215 \text{ MHz} \leq f_{\text{offset}} < 1.015 \text{ MHz}$ | $-14 \text{ dBm} - 15 \cdot \left(\frac{f_{\text{offset}}}{\text{MHz}} - 0.215 \right) \text{ dB}$ | 30 kHz |
| (Note 4) | $1.015 \text{ MHz} \leq f_{\text{offset}} < 1.5 \text{ MHz}$ | -26 dBm | 30 kHz |
| $1 \text{ MHz} \leq \Delta f \leq \min(10 \text{ MHz}, \Delta f_{\text{max}})$ | $1.5 \text{ MHz} \leq f_{\text{offset}} < \min(10.5 \text{ MHz}, f_{\text{offset}_{\text{max}}})$ | -13 dBm | 1 MHz |
| $10 \text{ MHz} \leq \Delta f \leq \Delta f_{\text{max}}$ | $10.5 \text{ MHz} \leq f_{\text{offset}} < f_{\text{offset}_{\text{max}}}$ | -15 dBm (Note 5) | 1 MHz |

For a BS operating in band 1, 3, 8, 33 or 34, emissions shall not exceed the maximum levels specified in Table 6.6.3.2.2-2 below for 3 MHz channel bandwidth:

Table 6.6.3.2.2-2: Regional operating band unwanted emission limits in band 3 and 8 for 3 MHz channel bandwidth for Category B

| Frequency offset of measurement filter -3dB point, Δf | Frequency offset of measurement filter centre frequency, f_{offset} | Minimum requirement | Measurement bandwidth (Note 3) |
|---|--|---|--------------------------------|
| $0 \text{ MHz} \leq \Delta f < 0.05 \text{ MHz}$ | $0.015 \text{ MHz} \leq f_{\text{offset}} < 0.065 \text{ MHz}$ | $5 \text{ dBm} - 60 \cdot \left(\frac{f_{\text{offset}}}{\text{MHz}} - 0.015 \right) \text{ dB}$ | 30 kHz |
| $0.05 \text{ MHz} \leq \Delta f < 0.15 \text{ MHz}$ | $0.065 \text{ MHz} \leq f_{\text{offset}} < 0.165 \text{ MHz}$ | $2 \text{ dBm} - 160 \cdot \left(\frac{f_{\text{offset}}}{\text{MHz}} - 0.065 \right) \text{ dB}$ | 30 kHz |
| $0.15 \text{ MHz} \leq \Delta f < 0.2 \text{ MHz}$ | $0.165 \text{ MHz} \leq f_{\text{offset}} < 0.215 \text{ MHz}$ | -14 dBm | 30 kHz |
| $0.2 \text{ MHz} \leq \Delta f < 1 \text{ MHz}$ | $0.215 \text{ MHz} \leq f_{\text{offset}} < 1.015 \text{ MHz}$ | $-14 \text{ dBm} - 15 \cdot \left(\frac{f_{\text{offset}}}{\text{MHz}} - 0.215 \right) \text{ dB}$ | 30 kHz |
| (Note 4) | $1.015 \text{ MHz} \leq f_{\text{offset}} < 1.5 \text{ MHz}$ | -26 dBm | 30 kHz |
| $1 \text{ MHz} \leq \Delta f \leq 6 \text{ MHz}$ | $1.5 \text{ MHz} \leq f_{\text{offset}} < 6.5 \text{ MHz}$ | -13 dBm | 1 MHz |
| $6 \text{ MHz} \leq \Delta f \leq \Delta f_{\text{max}}$ | $6.5 \text{ MHz} \leq f_{\text{offset}} < f_{\text{offset}_{\text{max}}}$ | -15 dBm | 1 MHz |

For a BS operating in band 1, 3, 8, 33 or 34, emissions shall not exceed the maximum levels specified in Table 6.6.3.2.2-3 below for 1.4 MHz channel bandwidth:

Table 6.6.3.2.2-3: Regional operating band unwanted emission limits in band 3 and 8 for 1.4 MHz channel bandwidth for Category B

| Frequency offset of measurement filter -3dB point, Δf | Frequency offset of measurement filter centre frequency, f_{offset} | Minimum requirement | Measurement bandwidth (Note 3) |
|---|--|--|--------------------------------|
| $0 \text{ MHz} \leq \Delta f < 0.05 \text{ MHz}$ | $0.015 \text{ MHz} \leq f_{\text{offset}} < 0.065 \text{ MHz}$ | $5 \text{ dBm} - 60 \cdot \left(\frac{f_{\text{offset}}}{\text{MHz}} - 0.015 \right) \text{ dB}$ | 30 kHz |
| $0.05 \text{ MHz} \leq \Delta f < 0.15 \text{ MHz}$ | $0.065 \text{ MHz} \leq f_{\text{offset}} < 0.165 \text{ MHz}$ | $2 \text{ dBm} - 160 \cdot \left(\frac{f_{\text{offset}}}{\text{MHz}} - 0.065 \right) \text{ dB}$ | 30 kHz |

| | | | |
|--|--|--|--------|
| $0.15 \text{ MHz} \leq \Delta f < 0.2 \text{ MHz}$ | $0.165 \text{ MHz} \leq f_{\text{offset}} < 0.215 \text{ MHz}$ | -14 dBm | 30 kHz |
| $0.2 \text{ MHz} \leq \Delta f < 1 \text{ MHz}$ | $0.215 \text{ MHz} \leq f_{\text{offset}} < 1.015 \text{ MHz}$ | $-14 \text{ dBm} - 15 \cdot \left(\frac{f_{\text{offset}}}{\text{MHz}} - 0.215 \right)$ | 30 kHz |
| (Note 4) | $1.015 \text{ MHz} \leq f_{\text{offset}} < 1.5 \text{ MHz}$ | -26 dBm | 30 kHz |
| $1 \text{ MHz} \leq \Delta f \leq 2.8 \text{ MHz}$ | $1.5 \text{ MHz} \leq f_{\text{offset}} < 3.3 \text{ MHz}$ | -13 dBm | 1 MHz |
| $2.8 \text{ MHz} \leq \Delta f \leq \Delta f_{\text{max}}$ | $3.3 \text{ MHz} \leq f_{\text{offset}} < f_{\text{offset,max}}$ | -15 dBm | 1 MHz |

6.6.3.2A Minimum requirements for Local Area BS (Category A and B)

For Local Area BS, emissions shall not exceed the maximum levels specified in Tables 6.6.3.2A-1 to 6.6.3.2A-3.

Table 6.6.3.2A-1: Local Area BS operating band unwanted emission limits for 1.4 MHz channel bandwidth

| Frequency offset of measurement filter -3dB point, Δf | Frequency offset of measurement filter centre frequency, f_{offset} | Minimum requirement | Measurement bandwidth (Note 1) |
|---|--|--|--------------------------------|
| $0 \text{ MHz} \leq \Delta f < 1.4 \text{ MHz}$ | $0.05 \text{ MHz} \leq f_{\text{offset}} < 1.45 \text{ MHz}$ | $-21 \text{ dBm} - \frac{10}{1.4} \left(\frac{f_{\text{offset}}}{\text{MHz}} - 0.05 \right) \text{ dB}$ | 100 kHz |
| $1.4 \text{ MHz} \leq \Delta f < 2.8 \text{ MHz}$ | $1.45 \text{ MHz} \leq f_{\text{offset}} < 2.85 \text{ MHz}$ | -31 dBm | 100 kHz |
| $2.8 \text{ MHz} \leq \Delta f \leq \Delta f_{\text{max}}$ | $2.85 \text{ MHz} \leq f_{\text{offset}} < f_{\text{offset,max}}$ | -31 dBm | 100 kHz |

Table 6.6.3.2A-2: Local Area BS operating band unwanted emission limits for 3 MHz channel bandwidth

| Frequency offset of measurement filter -3dB point, Δf | Frequency offset of measurement filter centre frequency, f_{offset} | Minimum requirement | Measurement bandwidth (Note 1) |
|---|--|--|--------------------------------|
| $0 \text{ MHz} \leq \Delta f < 3 \text{ MHz}$ | $0.05 \text{ MHz} \leq f_{\text{offset}} < 3.05 \text{ MHz}$ | $-25 \text{ dBm} - \frac{10}{3} \left(\frac{f_{\text{offset}}}{\text{MHz}} - 0.05 \right) \text{ dB}$ | 100 kHz |
| $3 \text{ MHz} \leq \Delta f < 6 \text{ MHz}$ | $3.05 \text{ MHz} \leq f_{\text{offset}} < 6.05 \text{ MHz}$ | -35 dBm | 100 kHz |
| $6 \text{ MHz} \leq \Delta f \leq \Delta f_{\text{max}}$ | $6.05 \text{ MHz} \leq f_{\text{offset}} < f_{\text{offset,max}}$ | -35 dBm | 100 kHz |

Table 6.6.3.2A-3: Local Area BS operating band unwanted emission limits for 5, 10, 15 and 20 MHz channel bandwidth

| Frequency offset of measurement filter -3dB point, Δf | Frequency offset of measurement filter centre frequency, f_{offset} | Minimum requirement | Measurement bandwidth (Note 1) |
|---|--|---|--------------------------------|
| $0 \text{ MHz} \leq \Delta f < 5 \text{ MHz}$ | $0.05 \text{ MHz} \leq f_{\text{offset}} < 5.05 \text{ MHz}$ | $-30 \text{ dBm} - \frac{7}{5} \left(\frac{f_{\text{offset}}}{\text{MHz}} - 0.05 \right) \text{ dB}$ | 100 kHz |
| $5 \text{ MHz} \leq \Delta f < \min(10 \text{ MHz}, \Delta f_{\text{max}})$ | $5.05 \text{ MHz} \leq f_{\text{offset}} < \min(10.05 \text{ MHz}, f_{\text{offset,max}})$ | -37 dBm | 100 kHz |
| $10 \text{ MHz} \leq \Delta f \leq \Delta f_{\text{max}}$ | $10.05 \text{ MHz} \leq f_{\text{offset}} < f_{\text{offset,max}}$ | -37 dBm (Note 5) | 100 kHz |

6.6.3.2B Minimum requirements for Home BS (Category A and B)

For Home BS, emissions shall not exceed the maximum levels specified in Tables 6.6.3.2B-1 to 6.6.3.2B-3.

Table 6.6.3.2B-1: Home BS operating band unwanted emission limits for 1.4 MHz channel bandwidth

| Frequency offset of measurement filter -3dB point, Δf | Frequency offset of measurement filter centre frequency, f_{offset} | Minimum requirement | Measurement bandwidth (Note 1) |
|---|--|---|--------------------------------|
| $0 \text{ MHz} \leq \Delta f < 1.4 \text{ MHz}$ | $0.05 \text{ MHz} \leq f_{\text{offset}} < 1.45 \text{ MHz}$ | $-30\text{dBm} - \frac{6}{1.4} \left(\frac{f_{\text{offset}}}{\text{MHz}} - 0.05 \right) \text{dB}$ | 100 kHz |
| $1.4 \text{ MHz} \leq \Delta f < 2.8 \text{ MHz}$ | $1.45 \text{ MHz} \leq f_{\text{offset}} < 2.85 \text{ MHz}$ | -36 dBm | 100 kHz |
| $2.8 \text{ MHz} \leq \Delta f \leq \Delta f_{\text{max}}$ | $3.3 \text{ MHz} \leq f_{\text{offset}} < f_{\text{offset}_{\text{max}}}$ | $\begin{cases} P - 52\text{dB}, 2\text{dBm} \leq P \leq 20\text{dBm} \\ -50\text{dBm}, P < 2\text{dBm} \end{cases}$ (Note 6) | 1MHz |

Table 6.6.3.2B-2: Home BS operating band unwanted emission limits for 3 MHz channel bandwidth

| Frequency offset of measurement filter -3dB point, Δf | Frequency offset of measurement filter centre frequency, f_{offset} | Minimum requirement | Measurement bandwidth (Note 1) |
|---|--|---|--------------------------------|
| $0 \text{ MHz} \leq \Delta f < 3 \text{ MHz}$ | $0.05 \text{ MHz} \leq f_{\text{offset}} < 3.05 \text{ MHz}$ | $-34\text{dBm} - 2 \left(\frac{f_{\text{offset}}}{\text{MHz}} - 0.05 \right) \text{dB}$ | 100 kHz |
| $3 \text{ MHz} \leq \Delta f < 6 \text{ MHz}$ | $3.05 \text{ MHz} \leq f_{\text{offset}} < 6.05 \text{ MHz}$ | -40 dBm | 100 kHz |
| $6 \text{ MHz} \leq \Delta f \leq \Delta f_{\text{max}}$ | $6.5 \text{ MHz} \leq f_{\text{offset}} < f_{\text{offset}_{\text{max}}}$ | $\begin{cases} P - 52\text{dB}, 2\text{dBm} \leq P \leq 20\text{dBm} \\ -50\text{dBm}, P < 2\text{dBm} \end{cases}$ (Note 6) | 1MHz |

Table 6.6.3.2B-3: Home BS operating band unwanted emission limits for 5, 10, 15 and 20 MHz channel bandwidth

| Frequency offset of measurement filter -3dB point, Δf | Frequency offset of measurement filter centre frequency, f_{offset} | Minimum requirement | Measurement bandwidth (Note 1) |
|---|---|---|--------------------------------|
| $0 \text{ MHz} \leq \Delta f < 5 \text{ MHz}$ | $0.05 \text{ MHz} \leq f_{\text{offset}} < 5.05 \text{ MHz}$ | $-36\text{dBm} - \frac{6}{5} \left(\frac{f_{\text{offset}}}{\text{MHz}} - 0.05 \right) \text{dB}$ | 100 kHz |
| $5 \text{ MHz} \leq \Delta f < \min(10 \text{ MHz}, \Delta f_{\text{max}})$ | $5.05 \text{ MHz} \leq f_{\text{offset}} < \min(10.05 \text{ MHz}, f_{\text{offset}_{\text{max}}})$ | -42 dBm | 100 kHz |
| $10 \text{ MHz} \leq \Delta f \leq \Delta f_{\text{max}}$ | $10.5 \text{ MHz} \leq f_{\text{offset}} < f_{\text{offset}_{\text{max}}}$ | $\begin{cases} P - 52\text{dB}, 2\text{dBm} \leq P \leq 20\text{dBm} \\ -50\text{dBm}, P < 2\text{dBm} \end{cases}$ (Note 5, Note 6) | 1MHz |

6.6.3.3 Additional requirements

These requirements may be applied for the protection of other systems operating inside or near the E-UTRA BS downlink operating band. The limits may apply as an optional protection of such systems that are deployed in the same geographical area as the E-UTRA BS, or they may be set by local or regional regulation as a mandatory requirement for an E-UTRA operating band. It is in some cases not stated in the present document whether a requirement is mandatory or under what exact circumstances that a limit applies, since this is set by local or regional regulation. An overview of regional requirements in the present document is given in subclause 4.3.

In certain regions the following requirement may apply. For E-UTRA BS operating in Band 5, emissions shall not exceed the maximum levels specified in Tables 6.6.3.3-1.

Table 6.6.3.3-1: Additional operating band unwanted emission limits for E-UTRA bands <1GHz

| Channel bandwidth | Frequency offset of measurement filter -3dB point, Δf | Frequency offset of measurement filter centre frequency, f_{offset} | Minimum requirement | Measurement bandwidth (Note 3) |
|-------------------|---|--|---------------------|--------------------------------|
| 1.4 MHz | $0 \text{ MHz} \leq \Delta f < 1 \text{ MHz}$ | $0.005 \text{ MHz} \leq f_{\text{offset}} < 0.995 \text{ MHz}$ | -14 dBm | 10 kHz |
| 3 MHz | $0 \text{ MHz} \leq \Delta f < 1 \text{ MHz}$ | $0.015 \text{ MHz} \leq f_{\text{offset}} < 0.985 \text{ MHz}$ | -13 dBm | 30 kHz |
| 5 MHz | $0 \text{ MHz} \leq \Delta f < 1 \text{ MHz}$ | $0.015 \text{ MHz} \leq f_{\text{offset}} < 0.985 \text{ MHz}$ | -15 dBm | 30 kHz |
| 10 MHz | $0 \text{ MHz} \leq \Delta f < 1 \text{ MHz}$ | $0.05 \text{ MHz} \leq f_{\text{offset}} < 0.95 \text{ MHz}$ | -13 dBm | 100 kHz |
| 15 MHz | $0 \text{ MHz} \leq \Delta f < 1 \text{ MHz}$ | $0.05 \text{ MHz} \leq f_{\text{offset}} < 0.95 \text{ MHz}$ | -13 dBm | 100 kHz |
| 20 MHz | $0 \text{ MHz} \leq \Delta f < 1 \text{ MHz}$ | $0.05 \text{ MHz} \leq f_{\text{offset}} < 0.95 \text{ MHz}$ | -13 dBm | 100 kHz |
| All | $1 \text{ MHz} \leq \Delta f < \Delta f_{\text{max}}$ | $1.05 \text{ MHz} \leq f_{\text{offset}} < f_{\text{offset}_{\text{max}}}$ | -13 dBm | 100 kHz |

In certain regions the following requirement may apply. For E-UTRA BS operating in Bands 2, 4, 10, 35, 36, emissions shall not exceed the maximum levels specified in Table 6.6.3.3-2.

Table 6.6.3.3-2: Additional operating band unwanted emission limits for E-UTRA bands >1GHz

| Channel bandwidth | Frequency offset of measurement filter -3dB point, Δf | Frequency offset of measurement filter centre frequency, f_{offset} | Minimum requirement | Measurement bandwidth (Note 3) |
|-------------------|---|--|---------------------|--------------------------------|
| 1.4 MHz | $0 \text{ MHz} \leq \Delta f < 1 \text{ MHz}$ | $0.005 \text{ MHz} \leq f_{\text{offset}} < 0.995 \text{ MHz}$ | -14 dBm | 10 kHz |
| 3 MHz | $0 \text{ MHz} \leq \Delta f < 1 \text{ MHz}$ | $0.015 \text{ MHz} \leq f_{\text{offset}} < 0.985 \text{ MHz}$ | -13 dBm | 30 kHz |
| 5 MHz | $0 \text{ MHz} \leq \Delta f < 1 \text{ MHz}$ | $0.015 \text{ MHz} \leq f_{\text{offset}} < 0.985 \text{ MHz}$ | -15 dBm | 30 kHz |
| 10 MHz | $0 \text{ MHz} \leq \Delta f < 1 \text{ MHz}$ | $0.05 \text{ MHz} \leq f_{\text{offset}} < 0.95 \text{ MHz}$ | -13 dBm | 100 kHz |
| 15 MHz | $0 \text{ MHz} \leq \Delta f < 1 \text{ MHz}$ | $0.05 \text{ MHz} \leq f_{\text{offset}} < 0.95 \text{ MHz}$ | -15 dBm | 100 kHz |
| 20 MHz | $0 \text{ MHz} \leq \Delta f < 1 \text{ MHz}$ | $0.05 \text{ MHz} \leq f_{\text{offset}} < 0.95 \text{ MHz}$ | -16 dBm | 100 kHz |
| All | $1 \text{ MHz} \leq \Delta f < \Delta f_{\text{max}}$ | $1.5 \text{ MHz} \leq f_{\text{offset}} < f_{\text{offset}_{\text{max}}}$ | -13 dBm | 1 MHz |

In certain regions the following requirement may apply. For E-UTRA BS operating in Bands 12, 13, 14, 17, emissions shall not exceed the maximum levels specified in Table 6.6.3.3-3.

Table 6.6.3.3-3: Additional operating band unwanted emission limits for E-UTRA (bands 12, 13 and 14)

| Channel bandwidth | Frequency offset of measurement filter -3dB point, Δf | Frequency offset of measurement filter centre frequency, f_{offset} | Minimum requirement | Measurement bandwidth (Note 3) |
|-------------------|---|--|---------------------|--------------------------------|
| All | $0 \text{ MHz} \leq \Delta f < 100 \text{ kHz}$ | $0.015 \text{ MHz} \leq f_{\text{offset}} < 0.085 \text{ MHz}$ | -13 dBm | 30 kHz |
| All | $100 \text{ kHz} \leq \Delta f < \Delta f_{\text{max}}$ | $150 \text{ kHz} \leq f_{\text{offset}} < f_{\text{offset}_{\text{max}}}$ | -13 dBm | 100 kHz |

In certain regions, the following requirements may apply to an E-UTRA TDD BS operating in the same geographic area and in the same operating band as another E-UTRA TDD system without synchronisation. For this case the emissions shall not exceed -52 dBm/MHz in the downlink operating band except in:

- The frequency range from 10 MHz below the lower channel edge to the frequency 10 MHz above the upper channel edge.

In certain regions the following requirement may apply for protection of DTT. For E-UTRA BS operating in Band 20, the level of emissions in the band 470-790 MHz, measured in an 8MHz filter bandwidth on centre frequencies F_{filter} according to Table 6.6.3.3-4, shall not exceed the maximum emission level $P_{\text{EM,N}}$ declared by the manufacturer. This requirement applies in the frequency range 470-790 MHz even though part of the range falls in the spurious domain.

Table 6.6.3.3-4: Declared emissions levels for protection of DTT

| Filter centre frequency, F_{filter} | Measurement bandwidth | Declared emission level [dBm] |
|---|--------------------------|----------------------------------|
| $F_{\text{filter}} = 8 \cdot N + 306$ (MHz); $21 \leq N \leq 60$ | 8 MHz | $P_{\text{EM,N}}$ |

Note: The regional requirement is defined in terms of EIRP (effective isotropic radiated power), which is dependent on both the BS emissions at the antenna connector and the deployment (including antenna gain and feeder loss). The requirement defined above provides the characteristics of the basestation needed to verify compliance with the regional requirement. Compliance with the regional requirement can be determined using the method outlined in Annex G.

In certain regions the following requirement may apply for the protection of systems operating in frequency bands adjacent to band 1 as defined in clause 5.5, in geographic areas in which both an adjacent band service E-UTRA are deployed.

The power of any spurious emission shall not exceed:

Table 6.6.3.3-5: Emissions limits for protection of adjacent band services

| Operating Band | Frequency range | Maximum Level | Measurement Bandwidth |
|----------------|-----------------|--|-----------------------|
| 1 | 2100-2105 MHz | $-30 + 3.4 \cdot (f - 2100 \text{ MHz})$ dBm | 1 MHz |
| | 2175-2180 MHz | $-30 + 3.4 \cdot (2180 \text{ MHz} - f)$ dBm | 1 MHz |

The following notes are common to all subclauses in 6.6.3:

NOTE 1: Local or regional regulations may specify another excluded frequency range, which may include frequencies where synchronised E-UTRA TDD systems operate.

NOTE 2: E-UTRA TDD base stations that are synchronized can transmit without these additional co-existence requirements.

NOTE 3: As a general rule for the requirements in subclause 6.6.3, the resolution bandwidth of the measuring equipment should be equal to the measurement bandwidth. However, to improve measurement accuracy, sensitivity and efficiency, the resolution bandwidth may be smaller than the measurement bandwidth. When the resolution bandwidth is smaller than the measurement bandwidth, the result should be integrated over the measurement bandwidth in order to obtain the equivalent noise bandwidth of the measurement bandwidth.

NOTE 4: This frequency range ensures that the range of values of f_{offset} is continuous.

NOTE 5: The requirement is not applicable when $\Delta f_{\text{max}} < 10$ MHz.

NOTE 6: For Home BS, the parameter P is defined as the aggregated maximum power of all transmit antenna ports of Home BS.

6.6.4 Transmitter spurious emissions

The transmitter spurious emission limits apply from 9 kHz to 12.75 GHz, excluding the frequency range from 10 MHz below the lowest frequency of the downlink operating band up to 10 MHz above the highest frequency of the downlink operating band. Exceptions are the requirement in Table 6.6.4.3.1-2 and 6.6.4.3.1-3 that apply also closer than 10 MHz from the downlink operating band.

The requirements shall apply whatever the type of transmitter considered (single carrier or multi-carrier). It applies for all transmission modes foreseen by the manufacturer's specification. Unless otherwise stated, all requirements are measured as mean power (RMS).

6.6.4.1 Mandatory Requirements

The requirements of either subclause 6.6.4.1.1 (Category A limits) or subclause 6.6.4.1.2 (Category B limits) shall apply. The application of either Category A or Category B limits shall be the same as for Operating band unwanted emissions in subclause 6.6.3.

6.6.4.1.1 Spurious emissions (Category A)

6.6.4.1.1.1 Minimum Requirement

The power of any spurious emission shall not exceed the limits in Table 6.6.4.1.1.1-1

Table 6.6.4.1.1.1-1: BS Spurious emission limits, Category A

| Frequency range | Maximum level | Measurement Bandwidth | Note |
|--|---------------|-----------------------|--------|
| 9kHz - 150kHz | -13 dBm | 1 kHz | Note 1 |
| 150kHz - 30MHz | | 10 kHz | Note 1 |
| 30MHz - 1GHz | | 100 kHz | Note 1 |
| 1GHz - 12.75 GHz | | 1 MHz | Note 2 |
| NOTE 1: Bandwidth as in ITU-R SM.329 [2] , s4.1 | | | |
| NOTE 2: Bandwidth as in ITU-R SM.329 [2] , s4.1. Upper frequency as in ITU-R SM.329 [2] , s2.5 table 1 | | | |

6.6.4.1.2 Spurious emissions (Category B)

6.6.4.1.2.1 Minimum Requirement

The power of any spurious emission shall not exceed the limits in Table 6.6.4.1.2.1-1

Table 6.6.4.1.2.1-1: BS Spurious emissions limits, Category B

| Frequency range | Maximum Level | Measurement Bandwidth | Note |
|--|---------------|-----------------------|--------|
| 9 kHz ↔ 150 kHz | -36 dBm | 1 kHz | Note 1 |
| 150 kHz ↔ 30 MHz | -36 dBm | 10 kHz | Note 1 |
| 30 MHz ↔ 1 GHz | -36 dBm | 100 kHz | Note 1 |
| 1 GHz ↔ 12.75 GHz | -30 dBm | 1 MHz | Note 2 |
| NOTE 1: Bandwidth as in ITU-R SM.329 [2] , s4.1 | | | |
| NOTE 2: Bandwidth as in ITU-R SM.329 [2] , s4.1. Upper frequency as in ITU-R SM.329 [2] , s2.5 table 1 | | | |

6.6.4.2 Protection of the BS receiver of own or different BS

This requirement shall be applied for E-UTRA FDD operation in order to prevent the receivers of the BSs being desensitised by emissions from a BS transmitter. It is measured at the transmit antenna port for any type of BS which has common or separate Tx/Rx antenna ports.

6.6.4.2.1 Minimum Requirement

The power of any spurious emission shall not exceed the limits in Table 6.6.4.2-1.

Table 6.6.4.2-1: BS Spurious emissions limits for protection of the BS receiver

| | Frequency range | Maximum Level | Measurement Bandwidth | Note |
|---------------|------------------------------|----------------------|------------------------------|-------------|
| Wide Area BS | $F_{UL_low} - F_{UL_high}$ | -96 dBm | 100 kHz | |
| Local Area BS | $F_{UL_low} - F_{UL_high}$ | -88 dBm | 100 kHz | |
| Home BS | $F_{UL_low} - F_{UL_high}$ | -88 dBm | 100 kHz | |

6.6.4.3 Additional spurious emissions requirements

These requirements may be applied for the protection of system operating in frequency ranges other than the E-UTRA BS downlink operating band. The limits may apply as an optional protection of such systems that are deployed in the same geographical area as the E-UTRA BS, or they may be set by local or regional regulation as a mandatory requirement for an E-UTRA operating band. It is in some cases not stated in the present document whether a requirement is mandatory or under what exact circumstances that a limit applies, since this is set by local or regional regulation. An overview of regional requirements in the present document is given in subclause 4.3.

Some requirements may apply for the protection of specific equipment (UE, MS and/or BS) or equipment operating in specific systems (GSM, CDMA, UTRA, E-UTRA, etc.) as listed below.

6.6.4.3.1 Minimum Requirement

The power of any spurious emission shall not exceed the limits of Table 6.6.4.3.1-1 for a BS where requirements for co-existence with the system listed in the first column apply.

Table 6.6.4.3.1-1: BS Spurious emissions limits for E-UTRA BS for co-existence with systems operating in other frequency bands

| System type for E-UTRA to co-exist with | Frequency range for co-existence requirement | Maximum Level | Measurement Bandwidth | Note |
|---|--|---------------|-----------------------|---|
| GSM900 | 921 - 960 MHz | -57 dBm | 100 kHz | This requirement does not apply to E-UTRA BS operating in band 8 |
| | 876 - 915 MHz | -61 dBm | 100 kHz | For the frequency range 880-915 MHz, this requirement does not apply to E-UTRA BS operating in band 8, since it is already covered by the requirement in sub-clause 6.6.4.2. |
| DCS1800 | 1805 - 1880 MHz | -47 dBm | 100 kHz | This requirement does not apply to E-UTRA BS operating in band 3. |
| | 1710 - 1785 MHz | -61 dBm | 100 kHz | This requirement does not apply to E-UTRA BS operating in band 3, since it is already covered by the requirement in sub-clause 6.6.4.2. |
| PCS1900 | 1930 - 1990 MHz | -47 dBm | 100 kHz | This requirement does not apply to E-UTRA BS operating in band 2 or band 36. |
| | 1850 - 1910 MHz | -61 dBm | 100 kHz | This requirement does not apply to E-UTRA BS operating in band 2, since it is already covered by the requirement in sub-clause 6.6.4.2. This requirement does not apply to E-UTRA BS operating in band 35. |
| GSM850 or CDMA850 | 869 - 894 MHz | -57 dBm | 100 kHz | This requirement does not apply to E-UTRA BS operating in band 5 |
| | 824 - 849 MHz | -61 dBm | 100 kHz | This requirement does not apply to E-UTRA BS operating in band 5, since it is already covered by the requirement in sub-clause 6.6.4.2. |
| UTRA FDD Band I or E-UTRA Band 1 | 2110 - 2170 MHz | -52 dBm | 1 MHz | This requirement does not apply to E-UTRA BS operating in band 1, |
| | 1920 - 1980 MHz | -49 dBm | 1 MHz | This requirement does not apply to E-UTRA BS operating in band 1, since it is already covered by the requirement in sub-clause 6.6.4.2. |
| UTRA FDD Band II or E-UTRA Band 2 | 1930 - 1990 MHz | -52 dBm | 1 MHz | This requirement does not apply to E-UTRA BS operating in band 2. |
| | 1850 - 1910 MHz | -49 dBm | 1 MHz | This requirement does not apply to E-UTRA BS operating in band 2, since it is already covered by the requirement in sub-clause 6.6.4.2 |
| UTRA FDD Band III or E-UTRA Band 3 | 1805 - 1880 MHz | -52 dBm | 1 MHz | This requirement does not apply to E-UTRA BS operating in band 3 or 9. |
| | 1710 - 1785 MHz | -49 dBm | 1 MHz | This requirement does not apply to E-UTRA BS operating in band 3, since it is already covered by the requirement in sub-clause 6.6.4.2. For E-UTRA BS operating in band 9, it applies for 1710 MHz to 1749.9 MHz and 1784.9 MHz to 1785 MHz, while the rest is covered in sub-clause 6.6.4.2. |
| UTRA FDD Band IV or E-UTRA Band 4 | 2110 - 2155 MHz | -52 dBm | 1 MHz | This requirement does not apply to E-UTRA BS operating in band 4 or 10 |
| | 1710 - 1755 MHz | -49 dBm | 1 MHz | This requirement does not apply to E-UTRA BS operating in band 4 or 10, since it is already covered by the requirement in sub-clause 6.6.4.2. |
| UTRA FDD Band V or E-UTRA Band 5 | 869 - 894 MHz | -52 dBm | 1 MHz | This requirement does not apply to E-UTRA BS operating in band 5 |
| | 824 - 849 MHz | -49 dBm | 1 MHz | This requirement does not apply to E-UTRA BS operating in band 5, since it is already covered by the requirement in sub-clause 6.6.4.2. |
| UTRA FDD Band VI, XIX or | 860 - 895 MHz | -52 dBm | 1 MHz | This requirement does not apply to E-UTRA BS operating in band 6, 18, 19. |

| | | | | |
|---|---------------------|---------|-------|---|
| E-UTRA Band 6, 18, 19 | 815 - 830 MHz | -49 dBm | 1 MHz | This requirement does not apply to E-UTRA BS operating in band 18, since it is already covered by the requirement in sub-clause 6.6.4.2. |
| | 830 - 850 MHz | -49 dBm | 1 MHz | This requirement does not apply to E-UTRA BS operating in band 6, 19, since it is already covered by the requirement in sub-clause 6.6.4.2. |
| UTRA FDD Band VII or E-UTRA Band 7 | 2620 - 2690 MHz | -52 dBm | 1 MHz | This requirement does not apply to E-UTRA BS operating in band 7. |
| | 2500 - 2570 MHz | -49 dBm | 1 MHz | This requirement does not apply to E-UTRA BS operating in band 7, since it is already covered by the requirement in sub-clause 6.6.4.2. |
| UTRA FDD Band VIII or E-UTRA Band 8 | 925 - 960 MHz | -52 dBm | 1 MHz | This requirement does not apply to E-UTRA BS operating in band 8. |
| | 880 - 915 MHz | -49 dBm | 1 MHz | This requirement does not apply to E-UTRA BS operating in band 8, since it is already covered by the requirement in sub-clause 6.6.4.2. |
| UTRA FDD Band IX or E-UTRA Band 9 | 1844.9 - 1879.9 MHz | -52 dBm | 1 MHz | This requirement does not apply to E-UTRA BS operating in band 3 or 9. |
| | 1749.9 - 1784.9 MHz | -49 dBm | 1 MHz | This requirement does not apply to E-UTRA BS operating in band 3 or 9, since it is already covered by the requirement in sub-clause 6.6.4.2. |
| UTRA FDD Band X or E-UTRA Band 10 | 2110 - 2170 MHz | -52 dBm | 1 MHz | This requirement does not apply to E-UTRA BS operating in band 4 or 10 |
| | 1710 - 1770 MHz | -49 dBm | 1 MHz | This requirement does not apply to E-UTRA BS operating in band 10, since it is already covered by the requirement in sub-clause 6.6.4.2. For E-UTRA BS operating in Band 4, it applies for 1755 MHz to 1770 MHz, while the rest is covered in sub-clause 6.6.4.2. |
| UTRA FDD Band XI or XXI or E-UTRA Band 11 or 21 | 1475.9 - 1510.9 MHz | -52 dBm | 1 MHz | This requirement does not apply to E-UTRA BS operating in band 11 or 21 |
| | 1427.9 - 1447.9 MHz | -49 dBm | 1 MHz | This requirement does not apply to E-UTRA BS operating in band 11, since it is already covered by the requirement in sub-clause 6.6.4.2. |
| | 1447.9 - 1462.9 MHz | -49 dBm | 1 MHz | This requirement does not apply to E-UTRA BS operating in band 21, since it is already covered by the requirement in sub-clause 6.6.4.2. |
| UTRA FDD Band XII or E-UTRA Band 12 | 729 - 746 MHz | -52 dBm | 1 MHz | This requirement does not apply to E-UTRA BS operating in band 12. |
| | 699 - 716 MHz | -49 dBm | 1 MHz | This requirement does not apply to E-UTRA BS operating in band 12, since it is already covered by the requirement in sub-clause 6.6.4.2. |
| UTRA FDD Band XIII or E-UTRA Band 13 | 746 - 756 MHz | -52 dBm | 1 MHz | This requirement does not apply to E-UTRA BS operating in band 13. |
| | 777 - 787 MHz | -49 dBm | 1 MHz | This requirement does not apply to E-UTRA BS operating in band 13, since it is already covered by the requirement in sub-clause 6.6.4.2. |
| UTRA FDD Band XIV or E-UTRA Band 14 | 758 - 768 MHz | -52 dBm | 1 MHz | This requirement does not apply to E-UTRA BS operating in band 14. |
| | 788 - 798 MHz | -49 dBm | 1 MHz | This requirement does not apply to E-UTRA BS operating in band 14, since it is already covered by the requirement in sub-clause 6.6.4.2. |
| E-UTRA Band 17 | 734 - 746 MHz | -52 dBm | 1 MHz | This requirement does not apply to E-UTRA BS operating in band 17. |
| | 704 - 716 MHz | -49 dBm | 1 MHz | This requirement does not apply to E-UTRA BS operating in band 17, since it is already covered by the requirement in subclause 6.6.4.2. |
| E-UTRA Band 20 | 791 - 821 MHz | -52 dBm | 1 MHz | This requirement does not apply to E-UTRA BS operating in band 20. |
| | 832 - 862 MHz | -49 dBm | 1 MHz | This requirement does not apply to E-UTRA BS operating in band 20, since it is already covered by the requirement in subclause 6.6.4.2. |
| UTRA TDD in Band a) or E-UTRA Band 33 | 1900 - 1920 MHz | -52 dBm | 1 MHz | This requirement does not apply to E-UTRA BS operating in Band 33 |

| | | | | |
|---------------------------------------|-----------------|---------|-------|--|
| UTRA TDD in Band a) or E-UTRA Band 34 | 2010 - 2025 MHz | -52 dBm | 1 MHz | This requirement does not apply to E-UTRA BS operating in Band 34 |
| UTRA TDD in Band b) or E-UTRA Band 35 | 1850 - 1910 MHz | -52 dBm | 1 MHz | This requirement does not apply to E-UTRA BS operating in Band 35 |
| UTRA TDD in Band b) or E-UTRA Band 36 | 1930 - 1990 MHz | -52 dBm | 1 MHz | This requirement does not apply to E-UTRA BS operating in Band 2 and 36 |
| UTRA TDD in Band c) or E-UTRA Band 37 | 1910 - 1930 MHz | -52 dBm | 1 MHz | This is not applicable to E-UTRA BS operating in Band 37. This unpaired band is defined in ITU-R M.1036, but is pending any future deployment. |
| UTRA TDD in Band d) or E-UTRA Band 38 | 2570 - 2620 MHz | -52 dBm | 1 MHz | This requirement does not apply to E-UTRA BS operating in Band 38. |
| E-UTRA Band 39 | 1880 - 1920MHz | -52 dBm | 1 MHz | This is not applicable to E-UTRA BS operating in Band 39 |
| E-UTRA Band 40 | 2300 - 2400MHz | -52 dBm | 1 MHz | This is not applicable to E-UTRA BS operating in Band 40 |

NOTE 1: As defined in the scope for spurious emissions in this clause, the co-existence requirements in Table 6.6.4.3.1-1 do not apply for the 10 MHz frequency range immediately outside the downlink operating band (see Table 5.5-1). Emission limits for this excluded frequency range may be covered by local or regional requirements.

NOTE 2: The table above assumes that two operating bands, where the frequency ranges in Table 5.5-1 would be overlapping, are not deployed in the same geographical area. For such a case of operation with overlapping frequency arrangements in the same geographical area, special co-existence requirements may apply that are not covered by the 3GPP specifications.

The power of any spurious emission shall not exceed the limits of Table 6.6.4.3.1-1x for a Home BS where requirements for co-existence with a Home BS type listed in the first column apply.

Table 6.6.4.3.1-1x: Home BS Spurious emissions limits for co-existence with Home BS operating in other frequency bands

| Type of coexistence BS | Frequency range for co-location requirement | Maximum Level | Measurement Bandwidth | Note |
|--|---|---------------|-----------------------|---|
| UTRA FDD Band I or E-UTRA Band 1 | 1920 - 1980 MHz | -71 dBm | 100 kHz | This requirement does not apply to Home BS operating in band 1, since it is already covered by the requirement in sub-clause 6.6.4.2. |
| UTRA FDD Band II or E-UTRA Band 2 | 1850 - 1910 MHz | -71 dBm | 100 kHz | This requirement does not apply to Home BS operating in band 2, since it is already covered by the requirement in sub-clause 6.6.4.2. |
| UTRA FDD Band III or E-UTRA Band 3 | 1710 - 1785 MHz | -71 dBm | 100 kHz | This requirement does not apply to Home BS operating in band 3, since it is already covered by the requirement in sub-clause 6.6.4.2. For Home BS operating in band 9, it applies for 1710 MHz to 1749.9 MHz and 1784.9 MHz to 1785 MHz, while the rest is covered in sub-clause 6.6.4.2. |
| UTRA FDD Band IV or E-UTRA Band 4 | 1710 - 1755 MHz | -71 dBm | 100 kHz | This requirement does not apply to Home BS operating in band 4, since it is already covered by the requirement in sub-clause 6.6.4.2. |
| UTRA FDD Band V or E-UTRA Band 5 | 824 - 849 MHz | -71 dBm | 100 kHz | This requirement does not apply to Home BS operating in band 5, since it is already covered by the requirement in sub-clause 6.6.4.2. |
| UTRA FDD Band VI, XIX or E-UTRA Band 6, 18, 19 | 815 - 830 MHz | -71 dBm | 100 kHz | This requirement does not apply to Home BS operating in band 18, since it is already covered by the requirement in sub-clause 6.6.4.2. |
| | 830 - 850 MHz | -71 dBm | 100 kHz | This requirement does not apply to Home BS operating in band 6, 19, since it is already covered by the requirement in sub-clause 6.6.4.2. |
| UTRA FDD Band VII or E-UTRA Band 7 | 2500 - 2570 MHz | -71 dBm | 100 KHz | This requirement does not apply to Home BS operating in band 7, since it is already covered by the requirement in sub-clause 6.6.4.2. |
| UTRA FDD Band VIII or E-UTRA Band 8 | 880 - 915 MHz | -71 dBm | 100 KHz | This requirement does not apply to Home BS operating in band 8, since it is already covered by the requirement in sub-clause 6.6.4.2. |
| UTRA FDD Band IX or E-UTRA Band 9 | 1749.9 - 1784.9 MHz | -71 dBm | 100 KHz | This requirement does not apply to Home BS operating in band 3 or 9, since it is already covered by the requirement in sub-clause 6.6.4.2. |
| UTRA FDD Band X or E-UTRA Band 10 | 1710 - 1770 MHz | -71 dBm | 100 kHz | This requirement does not apply to Home BS operating in band 10, since it is already covered by the requirement in sub-clause 6.6.4.2. |
| UTRA FDD Band XI, XXI or E-UTRA Band 11, 21 | 1427.9 - 1447.9 MHz | -71 dBm | 100 kHz | This requirement does not apply to Home BS operating in band 11, since it is already covered by the requirement in sub-clause 6.6.4.2. |
| | 1447.9 - 1462.9 MHz | -71 dBm | 100 kHz | This requirement does not apply to Home BS operating in band 21, since it is already covered by the requirement in sub-clause 6.6.4.2. |

| | | | | |
|---------------------------------------|-----------------|---------|---------|--|
| UTRA FDD Band XII or E-UTRA Band 12 | 699 - 716 MHz | -71 dBm | 100 kHz | This requirement does not apply to Home BS operating in band 12, since it is already covered by the requirement in sub-clause 6.6.4.2. |
| UTRA FDD Band XIII or E-UTRA Band 13 | 777 - 787 MHz | -71 dBm | 100 kHz | This requirement does not apply to Home BS operating in band 13, since it is already covered by the requirement in sub-clause 6.6.4.2. |
| UTRA FDD Band XIV or E-UTRA Band 14 | 788 - 798 MHz | -71 dBm | 100 kHz | This requirement does not apply to Home BS operating in band 14, since it is already covered by the requirement in sub-clause 6.6.4.2. |
| E-UTRA Band 17 | 704 - 716 MHz | -71 dBm | 100 kHz | This requirement does not apply to Home BS operating in band 17, since it is already covered by the requirement in sub-clause 6.6.4.2. |
| E-UTRA Band 20 | 832 - 862 MHz | -71 dBm | 100 kHz | This requirement does not apply to Home BS operating in band 20, since it is already covered by the requirement in sub-clause 6.6.4.2. |
| UTRA TDD in Band a) or E-UTRA Band 33 | 1900 - 1920 MHz | -71 dBm | 100 kHz | This requirement does not apply to Home BS operating in Band 33 |
| UTRA TDD in Band a) or E-UTRA Band 34 | 2010 - 2025 MHz | -71 dBm | 100 kHz | This requirement does not apply to Home BS operating in Band 34 |
| UTRA TDD in Band b) or E-UTRA Band 35 | 1850 - 1910 MHz | -71 dBm | 100 kHz | This requirement does not apply to Home BS operating in Band 35 |
| UTRA TDD in Band b) or E-UTRA Band 36 | 1930 - 1990 MHz | -71 dBm | 100 kHz | This requirement does not apply to Home BS operating in Band 2 and 36 |
| UTRA TDD in Band c) or E-UTRA Band 37 | 1910 - 1930 MHz | -71 dBm | 100 kHz | This is not applicable to Home BS operating in Band 37. This unpaired band is defined in ITU-R M.1036, but is pending any future deployment. |
| UTRA TDD in Band d) or E-UTRA Band 38 | 2570 - 2620 MHz | -71 dBm | 100 kHz | This requirement does not apply to Home BS operating in Band 38. |
| E-UTRA Band 39 | 1880 - 1920MHz | -71 dBm | 100 kHz | This is not applicable to Home BS operating in Band 39 |
| E-UTRA Band 40 | 2300 - 2400MHz | -71 dBm | 100 kHz | This is not applicable to Home BS operating in Band 40 |

NOTE 1: As defined in the scope for spurious emissions in this clause, the coexistence requirements in Table 6.6.4.3.1-1x do not apply for the 10 MHz frequency range immediately outside the Home BS transmit frequency range of a downlink operating band.

The following requirement may be applied for the protection of PHS. This requirement is also applicable at specified frequencies falling between 10 MHz below the lowest BS transmitter frequency of the downlink operating band and 10 MHz above the highest BS transmitter frequency of the downlink operating band.

The power of any spurious emission shall not exceed:

Table 6.6.4.3.1-2: E-UTRA BS Spurious emissions limits for BS for co-existence with PHS

| Frequency range | Maximum Level | Measurement Bandwidth | Note |
|---------------------|---------------|-----------------------|--|
| 1884.5 - 1919.6 MHz | -41 dBm | 300 kHz | Applicable when co-existence with PHS system operating in. 1884.5-1919.6MHz. |
| 1884.5 - 1915.7 MHz | -41 dBm | 300 kHz | Applicable when co-existence with PHS system operating in 1884.5-1915.7MHz |

The following requirement shall be applied to BS operating in Bands 13 and 14 to ensure that appropriate interference protection is provided to 700 MHz public safety operations. This requirement is also applicable at the frequency range

from 10 MHz below the lowest frequency of the BS downlink operating band up to 10 MHz above the highest frequency of the BS downlink operating band.

The power of any spurious emission shall not exceed:

Table 6.6.4.3.1-3: BS Spurious emissions limits for protection of public safety operations

| Operating Band | Frequency range | Maximum Level | Measurement Bandwidth | Note |
|----------------|-----------------|---------------|-----------------------|------|
| 13 | 763 - 775 MHz | -46 dBm | 6.25 kHz | |
| 13 | 793 - 805 MHz | -46 dBm | 6.25 kHz | |
| 14 | 769 - 775 MHz | -46 dBm | 6.25 kHz | |
| 14 | 799 - 805 MHz | -46 dBm | 6.25 kHz | |

6.6.4.4 Co-location with other base stations

These requirements may be applied for the protection of other BS receivers when GSM900, DCS1800, PCS1900, GSM850, CDMA850, UTRA FDD, UTRA TDD and/or E-UTRA BS are co-located with an E-UTRA BS.

The requirements assume a 30 dB coupling loss between transmitter and receiver and are based on co-location with base stations of the same class.

6.6.4.4.1 Minimum Requirement

The power of any spurious emission shall not exceed the limits of Table 6.6.4.4.1-1 for a Wide Area BS where requirements for co-location with a BS type listed in the first column apply.

Table 6.6.4.4.1-1: BS Spurious emissions limits for Wide Area BS co-located with another BS

| Type of co-located BS | Frequency range for co-location requirement | Maximum Level | Measurement Bandwidth | Note |
|---|---|---------------|-----------------------|--|
| Macro GSM900 | 876-915 MHz | -98 dBm | 100 kHz | |
| Macro DCS1800 | 1710 - 1785 MHz | -98 dBm | 100 kHz | |
| Macro PCS1900 | 1850 - 1910 MHz | -98 dBm | 100 kHz | |
| Macro GSM850 or CDMA850 | 824 - 849 MHz | -98 dBm | 100 kHz | |
| WA UTRA FDD Band I or E-UTRA Band 1 | 1920 - 1980 MHz | -96 dBm | 100 kHz | |
| WA UTRA FDD Band II or E-UTRA Band 2 | 1850 - 1910 MHz | -96 dBm | 100 kHz | |
| WA UTRA FDD Band III or E-UTRA Band 3 | 1710 - 1785 MHz | -96 dBm | 100 kHz | |
| WA UTRA FDD Band IV or E-UTRA Band 4 | 1710 - 1755 MHz | -96 dBm | 100 kHz | |
| WA UTRA FDD Band V or E-UTRA Band 5 | 824 - 849 MHz | -96 dBm | 100 kHz | |
| WA UTRA FDD Band VI, XIX or E-UTRA Band 6, 19 | 830 - 850 MHz | -96 dBm | 100 kHz | |
| WA UTRA FDD Band VII or E-UTRA Band 7 | 2500 - 2570 MHz | -96 dBm | 100 KHz | |
| WA UTRA FDD Band VIII or E-UTRA Band 8 | 880 - 915 MHz | -96 dBm | 100 KHz | |
| WA UTRA FDD Band IX or E-UTRA Band 9 | 1749.9 - 1784.9 MHz | -96 dBm | 100 KHz | |
| WA UTRA FDD Band X or E-UTRA Band 10 | 1710 - 1770 MHz | -96 dBm | 100 kHz | |
| WA UTRA FDD Band XI or E-UTRA Band 11 | 1427.9 – 1447.9 MHz | -96 dBm | 100 kHz | |
| WA UTRA FDD Band XII or E-UTRA Band 12 | 699 - 716 MHz | -96 dBm | 100 kHz | |
| WA UTRA FDD Band XIII or E-UTRA Band 13 | 777 - 787 MHz | -96 dBm | 100 kHz | |
| WA UTRA FDD Band XIV or E-UTRA Band 14 | 788 - 798 MHz | -96 dBm | 100 kHz | |
| WA E-UTRA Band 17 | 704 - 716 MHz | -96 dBm | 100 kHz | |
| WA E-UTRA Band 18 | 815 - 830 MHz | -96 dBm | 100 KHz | |
| WA E-UTRA Band 20 | 832 - 862 MHz | -96 dBm | 100 kHz | |
| WA UTRA FDD Band XXI or E-UTRA Band 21 | 1447.9 – 1462.9 MHz | -96 dBm | 100 kHz | |
| WA UTRA TDD in Band a) or E-UTRA Band 33 | 1900 - 1920 MHz | -96 dBm | 100 kHz | This is not applicable to E-UTRA BS operating in Band 33 |
| WA UTRA TDD in Band a) or E-UTRA Band 34 | 2010 - 2025 MHz | -96 dBm | 100 kHz | This is not applicable to E-UTRA BS operating in Band 34 |
| WA UTRA TDD in Band b) or E-UTRA Band 35 | 1850 – 1910 MHz | -96 dBm | 100 kHz | This is not applicable to E-UTRA BS operating in Band 35 |
| WA UTRA TDD in Band b) or E-UTRA Band 36 | 1930 - 1990 MHz | -96 dBm | 100 kHz | This is not applicable to E-UTRA BS operating in Band 2 and 36 |

| | | | | |
|--|-----------------|---------|---------|--|
| WA UTRA TDD in Band c) or E-UTRA Band 37 | 1910 - 1930 MHz | -96 dBm | 100 kHz | This is not applicable to E-UTRA BS operating in Band 37. This unpaired band is defined in ITU-R M.1036, but is pending any future deployment. |
| WA UTRA TDD in Band d) or E-UTRA Band 38 | 2570 – 2620 MHz | -96 dBm | 100 kHz | This is not applicable to E-UTRA BS operating in Band 38. |
| WA E-UTRA Band 39 | 1880 – 1920MHz | -96 dBm | 100 kHz | This is not applicable to E-UTRA BS operating in Band 33 and 39 |
| WA E-UTRA Band 40 | 2300 – 2400MHz | -96 dBm | 100 kHz | This is not applicable to E-UTRA BS operating in Band 40 |

The power of any spurious emission shall not exceed the limits of Table 6.6.4.4.1-2 for a Local Area BS where requirements for co-location with a BS type listed in the first column apply.

Table 6.6.4.4.1-2: BS Spurious emissions limits for Local Area BS co-located with another BS

| Type of co-located BS | Frequency range for co-location requirement | Maximum Level | Measurement Bandwidth | Note |
|---|---|---------------|-----------------------|------|
| Pico GSM900 | 876-915 MHz | -70 dBm | 100 kHz | |
| Pico DCS1800 | 1710 - 1785 MHz | -80 dBm | 100 kHz | |
| Pico PCS1900 | 1850 - 1910 MHz | -80 dBm | 100 kHz | |
| Pico GSM850 | 824 - 849 MHz | -70 dBm | 100 kHz | |
| LA UTRA FDD Band I or E-UTRA Band 1 | 1920 - 1980 MHz | -88 dBm | 100 kHz | |
| LA UTRA FDD Band II or E-UTRA Band 2 | 1850 - 1910 MHz | -88 dBm | 100 kHz | |
| LA UTRA FDD Band III or E-UTRA Band 3 | 1710 - 1785 MHz | -88 dBm | 100 kHz | |
| LA UTRA FDD Band IV or E-UTRA Band 4 | 1710 - 1755 MHz | -88 dBm | 100 kHz | |
| LA UTRA FDD Band V or E-UTRA Band 5 | 824 - 849 MHz | -88 dBm | 100 kHz | |
| LA UTRA FDD Band VI, XIX or E-UTRA Band 6, 19 | 830 - 850 MHz | -88 dBm | 100 kHz | |
| LA UTRA FDD Band VII or E-UTRA Band 7 | 2500 - 2570 MHz | -88 dBm | 100 KHz | |
| LA UTRA FDD Band VIII or E-UTRA Band 8 | 880 - 915 MHz | -88 dBm | 100 KHz | |
| LA UTRA FDD Band IX or E-UTRA Band 9 | 1749.9 - 1784.9 MHz | -88 dBm | 100 KHz | |
| LA UTRA FDD Band X or E-UTRA Band 10 | 1710 - 1770 MHz | -88 dBm | 100 kHz | |
| LA UTRA FDD Band XI or E-UTRA Band 11 | 1427.9 - 1447.9 MHz | -88 dBm | 100 kHz | |
| LA UTRA FDD Band XII or E-UTRA Band 12 | 699 - 716 MHz | -88 dBm | 100 kHz | |
| LA UTRA FDD Band XIII or E-UTRA Band 13 | 777 - 787 MHz | -88 dBm | 100 kHz | |
| LA UTRA FDD Band XIV or E-UTRA Band 14 | 788 - 798 MHz | -88 dBm | 100 kHz | |
| LA E-UTRA Band 17 | 704 - 716 MHz | -88 dBm | 100 kHz | |
| LA E-UTRA Band 18 | 815 - 830 MHz | -88 dBm | 100 KHz | |
| LA E-UTRA Band 20 | 832 - 862 MHz | -88 dBm | 100 KHz | |

| | | | | |
|--|---------------------|---------|---------|--|
| LA UTRA FDD Band XXI or E-UTRA Band 21 | 1447.9 - 1462.9 MHz | -88 dBm | 100 KHz | |
| LA UTRA TDD in Band a) or E-UTRA Band 33 | 1900 - 1920 MHz | -88 dBm | 100 kHz | This is not applicable to E-UTRA BS operating in Band 33 |
| LA UTRA TDD in Band a) or E-UTRA Band 34 | 2010 - 2025 MHz | -88 dBm | 100 kHz | This is not applicable to E-UTRA BS operating in Band 34 |
| LA UTRA TDD in Band b) or E-UTRA Band 35 | 1850 – 1910 MHz | -88 dBm | 100 kHz | This is not applicable to E-UTRA BS operating in Band 35 |
| LA UTRA TDD in Band b) or E-UTRA Band 36 | 1930 - 1990 MHz | -88 dBm | 100 kHz | This is not applicable to E-UTRA BS operating in Band 2 and 36 |
| LA UTRA TDD in Band c) or E-UTRA Band 37 | 1910 - 1930 MHz | -88 dBm | 100 kHz | This is not applicable to E-UTRA BS operating in Band 37. This unpaired band is defined in ITU-R M.1036, but is pending any future deployment. |
| LA UTRA TDD in Band d) or E-UTRA Band 38 | 2570 – 2620 MHz | -88 dBm | 100 kHz | This is not applicable to E-UTRA BS operating in Band 38. |
| LA E-UTRA Band 39 | 1880 – 1920MHz | -88 dBm | 100 kHz | This is not applicable to E-UTRA BS operating in Band 33 and 39 |
| LA E-UTRA Band 40 | 2300 – 2400MHz | -88 dBm | 100 kHz | This is not applicable to E-UTRA BS operating in Band 40 |

NOTE 1: As defined in the scope for spurious emissions in this clause, the co-location requirements in Table 6.6.4.4.1-1 and Table 6.6.4.4.1-2 do not apply for the 10 MHz frequency range immediately outside the BS transmit frequency range of a downlink operating band (see Table 5.5-1). The current state-of-the-art technology does not allow a single generic solution for co-location with other system on adjacent frequencies for 30dB BS-BS minimum coupling loss. However, there are certain site-engineering solutions that can be used. These techniques are addressed in TR 25.942 [13].

NOTE 2: The table above assumes that two operating bands, where the corresponding BS transmit and receive frequency ranges in Table 5.5-1 would be overlapping, are not deployed in the same geographical area. For such a case of operation with overlapping frequency arrangements in the same geographical area, special co-location requirements may apply that are not covered by the 3GPP specifications.

NOTE 3: Co-located TDD base stations that are synchronized and using the same operating band can transmit without special co-locations requirements. For unsynchronized base stations, special co-location requirements may apply that are not covered by the 3GPP specifications.

6.7 Transmitter intermodulation

The transmit intermodulation requirement is a measure of the capability of the transmitter to inhibit the generation of signals in its non linear elements caused by presence of the own transmit signal and an interfering signal reaching the transmitter via the antenna. The requirement applies during the transmitter ON period and the transmitter transient period.

6.7.1 Minimum requirement

The transmitter intermodulation level is the power of the intermodulation products when an interfering signal is injected into the antenna connector. The wanted signal channel bandwidth $BW_{Channel}$ shall be the maximum bandwidth supported by the base station. The offset of the interfering signal from the wanted signal shall be as in Table 6.7.1-1.

Table 6.7.1-1 Interfering and wanted signals for the Transmitter intermodulation requirement

| Parameter | Value |
|--|---|
| Wanted signal | E-UTRA signal of maximum channel bandwidth $BW_{Channel}$ |
| Interfering signal type | E-UTRA signal of channel bandwidth 5 MHz |
| Interfering signal level | Mean power level 30 dB below the mean power of the wanted signal |
| Interfering signal centre frequency offset from wanted signal carrier centre frequency | - $BW_{Channel} / 2 - 12.5$ MHz - $BW_{Channel} / 2 - 7.5$ MHz - $BW_{Channel} / 2 - 2.5$ MHz $BW_{Channel} / 2 + 2.5$ MHz $BW_{Channel} / 2 + 7.5$ MHz $BW_{Channel} / 2 + 12.5$ MHz |
| NOTE1: | Interfering signal positions that are partially or completely outside of the downlink operating band of the base station are excluded from the requirement, unless the interfering signal positions fall within the frequency range of adjacent downlink operating bands in the same geographical area. In case that none of the interfering signal positions fall completely within the frequency range of the downlink operating band, TS 36.141 provides further guidance regarding appropriate test requirements. |
| NOTE2: | NOTE 1 is not applied in Band 1, 3, 9, 11, 18, 19, 21, 34 in certain regions. |

The transmitter intermodulation level shall not exceed the unwanted emission limits in subclause 6.6 in the presence of an interfering signal according to Table 6.7.1-1. The measurement may be limited to frequencies on which third and fifth order intermodulation products appear, considering the width of these products.

7 Receiver characteristics

7.1 General

The requirements in clause 7 are expressed for a single receiver antenna connector. For receivers with antenna diversity, the requirements apply for each receiver antenna connector.

Unless otherwise stated, the receiver characteristics are specified at the BS antenna connector (test port A) with a full complement of transceivers for the configuration in normal operating conditions. If any external apparatus such as a RX amplifier, a filter or the combination of such devices is used, requirements apply at the far end antenna connector (port B).

Unless otherwise stated the requirements in clause 7 apply during the base station receive period.

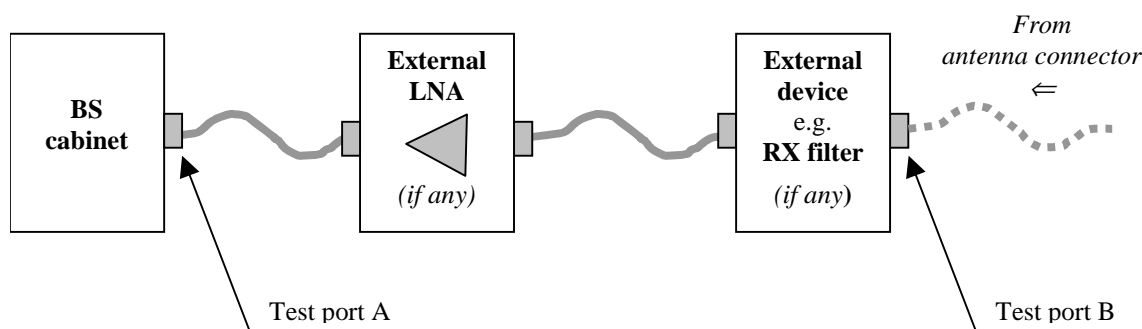


Figure 7.1: Receiver test ports

The throughput requirements defined for the receiver characteristics in this clause do not assume HARQ retransmissions.

7.2 Reference sensitivity level

The reference sensitivity power level P_{REFSENS} is the minimum mean power received at the antenna connector at which a throughput requirement shall be met for a specified reference measurement channel.

7.2.1 Minimum requirement

The throughput shall be $\geq 95\%$ of the maximum throughput of the reference measurement channel as specified in Annex A with parameters specified in Table 7.2.1-1 for Wide Area BS, in Table 7.2.1-2 for Local Area BS and in Table 7.2.1-3 for Home BS.

Table 7.2.1-1: Wide Area BS reference sensitivity levels

| E-UTRA channel bandwidth [MHz] | Reference measurement channel | Reference sensitivity power level, P _{REFSENS} [dBm] |
|--------------------------------|--|---|
| 1.4 | FRC A1-1 in Annex A.1 | -106.8 |
| 3 | FRC A1-2 in Annex A.1 | -103.0 |
| 5 | FRC A1-3 in Annex A.1 | -101.5 |
| 10 | FRC A1-3 in Annex A.1* | -101.5 |
| 15 | FRC A1-3 in Annex A.1* | -101.5 |
| 20 | FRC A1-3 in Annex A.1* | -101.5 |
| Note*: | P _{REFSENS} is the power level of a single instance of the reference measurement channel. This requirement shall be met for each consecutive application of a single instance of FRC A1-3 mapped to disjoint frequency ranges with a width of 25 resource blocks each | |

Table 7.2.1-2: Local Area BS reference sensitivity levels

| E-UTRA channel bandwidth [MHz] | Reference measurement channel | Reference sensitivity power level, P _{REFSENS} [dBm] |
|--------------------------------|--|---|
| 1.4 | FRC A1-1 in Annex A.1 | -98.8 |
| 3 | FRC A1-2 in Annex A.1 | -95.0 |
| 5 | FRC A1-3 in Annex A.1 | -93.5 |
| 10 | FRC A1-3 in Annex A.1* | -93.5 |
| 15 | FRC A1-3 in Annex A.1* | -93.5 |
| 20 | FRC A1-3 in Annex A.1* | -93.5 |
| Note*: | P _{REFSENS} is the power level of a single instance of the reference measurement channel. This requirement shall be met for each consecutive application of a single instance of FRC A1-3 mapped to disjoint frequency ranges with a width of 25 resource blocks each | |

Table 7.2.1-3: Home BS reference sensitivity levels

| E-UTRA channel bandwidth [MHz] | Reference measurement channel | Reference sensitivity power level, P _{REFSENS} [dBm] |
|--------------------------------|--|---|
| 1.4 | FRC A1-1 in Annex A.1 | -98.8 |
| 3 | FRC A1-2 in Annex A.1 | -95.0 |
| 5 | FRC A1-3 in Annex A.1 | -93.5 |
| 10 | FRC A1-3 in Annex A.1* | -93.5 |
| 15 | FRC A1-3 in Annex A.1* | -93.5 |
| 20 | FRC A1-3 in Annex A.1* | -93.5 |
| Note*: | P _{REFSENS} is the power level of a single instance of the reference measurement channel. This requirement shall be met for each consecutive application of a single instance of FRC A1-3 mapped to disjoint frequency ranges with a width of 25 resource blocks each | |

7.3 Dynamic range

The dynamic range is specified as a measure of the capability of the receiver to receive a wanted signal in the presence of an interfering signal inside the received channel bandwidth. In this condition a throughput requirement shall be met for a specified reference measurement channel. The interfering signal for the dynamic range requirement is an AWGN signal.

7.3.1 Minimum requirement

The throughput shall be $\geq 95\%$ of the maximum throughput of the reference measurement channel as specified in Annex A with parameters specified in Table 7.3.1-1 for Wide Area BS, in Table 7.3.1-2 for Local Area BS and in Table 7.3.1-3 for Home BS.

Table 7.3.1-1: Wide Area BS dynamic range

| E-UTRA channel bandwidth [MHz] | Reference measurement channel | Wanted signal mean power [dBm] | Interfering signal mean power [dBm] / BW_{Config} | Type of interfering signal |
|--------------------------------|-------------------------------|--------------------------------|---|----------------------------|
| 1.4 | FRC A2-1 in Annex A.2 | -76.3 | -88.7 | AWGN |
| 3 | FRC A2-2 in Annex A.2 | -72.4 | -84.7 | AWGN |
| 5 | FRC A2-3 in Annex A.2 | -70.2 | -82.5 | AWGN |
| 10 | FRC A2-3 in Annex A.2* | -70.2 | -79.5 | AWGN |
| 15 | FRC A2-3 in Annex A.2* | -70.2 | -77.7 | AWGN |
| 20 | FRC A2-3 in Annex A.2* | -70.2 | -76.4 | AWGN |

Table 7.3.1-2: Local Area BS dynamic range

| E-UTRA channel bandwidth [MHz] | Reference measurement channel | Wanted signal mean power [dBm] | Interfering signal mean power [dBm] / BW_{Config} | Type of interfering signal |
|--------------------------------|-------------------------------|--------------------------------|---|----------------------------|
| 1.4 | FRC A2-1 in Annex A.2 | -68.3 | -80.7 | AWGN |
| 3 | FRC A2-2 in Annex A.2 | -64.4 | -76.7 | AWGN |
| 5 | FRC A2-3 in Annex A.2 | -62.2 | -74.5 | AWGN |
| 10 | FRC A2-3 in Annex A.2* | -62.2 | -71.5 | AWGN |
| 15 | FRC A2-3 in Annex A.2* | -62.2 | -69.7 | AWGN |
| 20 | FRC A2-3 in Annex A.2* | -62.2 | -68.4 | AWGN |

Table 7.3.1-3: Home BS dynamic range

| E-UTRA channel bandwidth [MHz] | Reference measurement channel | Wanted signal mean power [dBm] | Interfering signal mean power [dBm] / BW_{Config} | Type of interfering signal |
|--------------------------------|-------------------------------|--------------------------------|---|----------------------------|
| 1.4 | FRC A2-1 in Annex A.2 | -31.8 | -44.2 | AWGN |
| 3 | FRC A2-2 in Annex A.2 | -27.9 | -40.2 | AWGN |
| 5 | FRC A2-3 in Annex A.2 | -25.7 | -38 | AWGN |
| 10 | FRC A2-3 in Annex A.2* | -25.7 | -35 | AWGN |
| 15 | FRC A2-3 in Annex A.2* | -25.7 | -33.2 | AWGN |
| 20 | FRC A2-3 in Annex A.2* | -25.7 | -31.9 | AWGN |

7.4 In-channel selectivity

In-channel selectivity (ICS) is a measure of the receiver ability to receive a wanted signal at its assigned resource block locations in the presence of an interfering signal received at a larger power spectral density. In this condition a throughput requirement shall be met for a specified reference measurement channel. The interfering signal shall be an E-UTRA signal as specified in Annex C and shall be time aligned with the wanted signal.

7.4.1 Minimum requirement

The throughput shall be $\geq 95\%$ of the maximum throughput of the reference measurement channel as specified in Annex A with parameters specified in Table 7.4.1-1 for Wide Area BS, in Table 7.4.1-2 for Local Area BS and in Table 7.4.1-3 for Home BS.

Table 7.4.1-1 E-UTRA Wide Area BS in-channel selectivity

| E-UTRA channel bandwidth (MHz) | Reference measurement channel | Wanted signal mean power [dBm] | Interfering signal mean power [dBm] | Type of interfering signal |
|--------------------------------|-------------------------------|--------------------------------|-------------------------------------|-------------------------------|
| 1.4 | A1-4 in Annex A.1 | -106.9 | -87 | 1.4 MHz E-UTRA signal, 3 RBs |
| 3 | A1-5 in Annex A.1 | -102.1 | -84 | 3 MHz E-UTRA signal, 6 RBs |
| 5 | A1-2 in Annex A.1 | -100.0 | -81 | 5 MHz E-UTRA signal, 10 RBs |
| 10 | A1-3 in Annex A.1 | -98.5 | -77 | 10 MHz E-UTRA signal, 25 RBs |
| 15 | A1-3 in Annex A.1* | -98.5 | -77 | 15 MHz E-UTRA signal, 25 RBs* |
| 20 | A1-3 in Annex A.1* | -98.5 | -77 | 20 MHz E-UTRA signal, 25 RBs* |

Note*: Wanted and interfering signal are placed adjacently around F_c .

Table 7.4.1-2 E-UTRA Local Area BS in-channel selectivity

| E-UTRA channel bandwidth (MHz) | Reference measurement channel | Wanted signal mean power [dBm] | Interfering signal mean power [dBm] | Type of interfering signal |
|--------------------------------|-------------------------------|--------------------------------|-------------------------------------|-------------------------------|
| 1.4 | A1-4 in Annex A.1 | -98.9 | -79 | 1.4 MHz E-UTRA signal, 3 RBs |
| 3 | A1-5 in Annex A.1 | -94.1 | -76 | 3 MHz E-UTRA signal, 6 RBs |
| 5 | A1-2 in Annex A.1 | -92.0 | -73 | 5 MHz E-UTRA signal, 10 RBs |
| 10 | A1-3 in Annex A.1 | -90.5 | -69 | 10 MHz E-UTRA signal, 25 RBs |
| 15 | A1-3 in Annex A.1* | -90.5 | -69 | 15 MHz E-UTRA signal, 25 RBs* |
| 20 | A1-3 in Annex A.1* | -90.5 | -69 | 20 MHz E-UTRA signal, 25 RBs* |

Note*: Wanted and interfering signal are placed adjacently around F_c .

Table 7.4.1-3 E-UTRA Home BS in-channel selectivity

| E-UTRA channel bandwidth (MHz) | Reference measurement channel | Wanted signal mean power [dBm] | Interfering signal mean power [dBm] | Type of interfering signal |
|--------------------------------|-------------------------------|--------------------------------|-------------------------------------|-------------------------------|
| 1.4 | A1-4 in Annex A.1 | -98.9 | -79 | 1.4 MHz E-UTRA signal, 3 RBs |
| 3 | A1-5 in Annex A.1 | -94.1 | -76 | 3 MHz E-UTRA signal, 6 RBs |
| 5 | A1-2 in Annex A.1 | -92.0 | -73 | 5 MHz E-UTRA signal, 10 RBs |
| 10 | A1-3 in Annex A.1 | -90.5 | -69 | 10 MHz E-UTRA signal, 25 RBs |
| 15 | A1-3 in Annex A.1* | -90.5 | -69 | 15 MHz E-UTRA signal, 25 RBs* |
| 20 | A1-3 in Annex A.1* | -90.5 | -69 | 20 MHz E-UTRA signal, 25 RBs* |

| | | | | |
|--------|--|--|--|-----------------|
| | A.1* | | | signal, 25 RBs* |
| Note*: | Wanted and interfering signal are placed adjacently around F_c | | | |

7.5 Adjacent Channel Selectivity (ACS) and narrow-band blocking

Adjacent channel selectivity (ACS) is a measure of the receiver ability to receive a wanted signal at its assigned channel frequency in the presence of an adjacent channel signal with a specified centre frequency offset of the interfering signal to the band edge of a victim system. The interfering signal shall be an E-UTRA signal as specified in Annex C.

7.5.1 Minimum requirement

The throughput shall be $\geq 95\%$ of the maximum throughput of the reference measurement channel.

For Wide Area BS, the wanted and the interfering signal coupled to the BS antenna input are specified in Tables 7.5.1-1 and 7.5.1-2 for narrowband blocking and in Table 7.5.1-3 for ACS. The reference measurement channel for the wanted signal is identified in Table 7.2.1-1 for each channel bandwidth and further specified in Annex A.

For Local Area BS, the wanted and the interfering signal coupled to the BS antenna input are specified in Tables 7.5.1-1 and 7.5.1-2 for narrowband blocking and in Table 7.5.1-4 for ACS. The reference measurement channel for the wanted signal is identified in Table 7.2.1-2 for each channel bandwidth and further specified in Annex A.

For Home BS, the wanted and the interfering signal coupled to the BS antenna input are specified in Tables 7.5.1-1 and 7.5.1-2 for narrowband blocking and in Table 7.5.1-5 for ACS. The reference measurement channel for the wanted signal is identified in Table 7.2.1-3 for each channel bandwidth and further specified in Annex A.

Table 7.5.1-1: Narrowband blocking requirement

| | Wanted signal mean power [dBm] | Interfering signal mean power [dBm] | Type of interfering signal |
|---------------|--|-------------------------------------|----------------------------|
| Wide Area BS | $P_{\text{REFSENS}} + 6\text{dB}^*$ | -49 | See Table 7.5.1-2 |
| Local Area BS | $P_{\text{REFSENS}} + 6\text{dB}^{**}$ | -41 | See Table 7.5.1-2 |
| Home BS | $P_{\text{REFSENS}} + 14\text{dB}^{***}$ | -33 | See Table 7.5.1-2 |
| Note*: | P_{REFSENS} depends on the channel bandwidth as specified in Table 7.2.1-1. | | |
| Note**: | P_{REFSENS} depends on the channel bandwidth as specified in Table 7.2.1-2 | | |
| Note***: | P_{REFSENS} depends on the channel bandwidth as specified in Table 7.2.1-3. | | |

Table 7.5.1-2: Interfering signal for Narrowband blocking requirement

| E-UTRA Assigned BW [MHz] | Interfering RB centre frequency offset to the channel edge of the wanted signal [kHz] | Type of interfering signal |
|--------------------------|---|------------------------------|
| 1.4 | $252.5+m*180$, $m=0, 1, 2, 3, 4, 5$ | 1.4 MHz E-UTRA signal, 1 RB* |
| 3 | $247.5+m*180$, $m=0, 1, 2, 3, 4, 7, 10, 13$ | 3 MHz E-UTRA signal, 1 RB* |
| 5 | $342.5+m*180$, $m=0, 1, 2, 3, 4, 9, 14, 19, 24$ | 5 MHz E-UTRA signal, 1 RB* |
| 10 | $347.5+m*180$, $m=0, 1, 2, 3, 4, 9, 14, 19, 24$ | 5 MHz E-UTRA signal, 1 RB* |
| 15 | $352.5+m*180$, $m=0, 1, 2, 3, 4, 9, 14, 19, 24$ | 5 MHz E-UTRA signal, 1 RB* |
| 20 | $342.5+m*180$, $m=0, 1, 2, 3, 4, 9, 14, 19, 24$ | 5 MHz E-UTRA signal, 1 RB* |

Note*: Interfering signal consisting of one resource block adjacent to the wanted signal, the channel bandwidth of the interfering signal is located adjacently to the channel edge of the wanted signal.

Table 7.5.1-3: Adjacent channel selectivity for Wide Area BS

| E-UTRA channel bandwidth [MHz] | Wanted signal mean power [dBm] | Interfering signal mean power [dBm] | Interfering signal centre frequency offset from the channel edge of the wanted signal [MHz] | Type of interfering signal |
|--------------------------------|--------------------------------------|-------------------------------------|---|----------------------------|
| 1.4 | $P_{\text{REFSENS}} + 11\text{dB}^*$ | -52 | 0.7025 | 1.4MHz E-UTRA signal |
| 3 | $P_{\text{REFSENS}} + 8\text{dB}^*$ | -52 | 1.5075 | 3MHz E-UTRA signal |
| 5 | $P_{\text{REFSENS}} + 6\text{dB}^*$ | -52 | 2.5025 | 5MHz E-UTRA signal |
| 10 | $P_{\text{REFSENS}} + 6\text{dB}^*$ | -52 | 2.5075 | 5MHz E-UTRA signal |
| 15 | $P_{\text{REFSENS}} + 6\text{dB}^*$ | -52 | 2.5125 | 5MHz E-UTRA signal |
| 20 | $P_{\text{REFSENS}} + 6\text{dB}^*$ | -52 | 2.5025 | 5MHz E-UTRA signal |

Note*: P_{REFSENS} depends on the channel bandwidth as specified in Table 7.2.1-1.

Table 7.5.1-4: Adjacent channel selectivity for Local Area BS

| E-UTRA channel bandwidth [MHz] | Wanted signal mean power [dBm] | Interfering signal mean power [dBm] | Interfering signal centre frequency offset from the channel edge of the wanted signal [MHz] | Type of interfering signal |
|--------------------------------|--------------------------------------|-------------------------------------|---|----------------------------|
| 1.4 | $P_{\text{REFSENS}} + 11\text{dB}^*$ | -44 | 0.7025 | 1.4MHz E-UTRA signal |
| 3 | $P_{\text{REFSENS}} + 8\text{dB}^*$ | -44 | 1.5075 | 3MHz E-UTRA signal |
| 5 | $P_{\text{REFSENS}} + 6\text{dB}^*$ | -44 | 2.5025 | 5MHz E-UTRA signal |
| 10 | $P_{\text{REFSENS}} + 6\text{dB}^*$ | -44 | 2.5075 | 5MHz E-UTRA signal |
| 15 | $P_{\text{REFSENS}} + 6\text{dB}^*$ | -44 | 2.5125 | 5MHz E-UTRA signal |
| 20 | $P_{\text{REFSENS}} + 6\text{dB}^*$ | -44 | 2.5025 | 5MHz E-UTRA signal |

Note*: P_{REFSENS} depends on the channel bandwidth as specified in Table 7.2.1-2.

Table 7.5.1-5: Adjacent channel selectivity for Home BS

| E-UTRA channel bandwidth [MHz] | Wanted signal mean power [dBm] | Interfering signal mean power [dBm] | Interfering signal centre frequency offset from the channel edge of the wanted signal [MHz] | Type of interfering signal |
|--------------------------------|--------------------------------------|-------------------------------------|---|----------------------------|
| 1.4 | $P_{\text{REFSENS}} + 27\text{dB}^*$ | -28 | 0.7025 | 1.4MHz E-UTRA signal |
| 3 | $P_{\text{REFSENS}} + 24\text{dB}^*$ | -28 | 1.5075 | 3MHz E-UTRA signal |
| 5 | $P_{\text{REFSENS}} + 22\text{dB}^*$ | -28 | 2.5025 | 5MHz E-UTRA signal |
| 10 | $P_{\text{REFSENS}} + 22\text{dB}^*$ | -28 | 2.5075 | 5MHz E-UTRA signal |
| 15 | $P_{\text{REFSENS}} + 22\text{dB}^*$ | -28 | 2.5125 | 5MHz E-UTRA signal |
| 20 | $P_{\text{REFSENS}} + 22\text{dB}^*$ | -28 | 2.5025 | 5MHz E-UTRA signal |

Note*: P_{REFSENS} depends on the channel bandwidth as specified in Table 7.2.1-3.

7.6 Blocking

7.6.1 General blocking requirement

The blocking characteristics is a measure of the receiver ability to receive a wanted signal at its assigned channel in the presence of an unwanted interferer, which are either a 1.4MHz, 3MHz or 5MHz E-UTRA signal for in-band blocking or a CW signal for out-of-band blocking. The interfering signal shall be an E-UTRA signal as specified in Annex C.

7.6.1.1 Minimum requirement

The throughput shall be $\geq 95\%$ of the maximum throughput of the reference measurement channel, with a wanted and an interfering signal coupled to BS antenna input using the parameters in Table 7.6.1.1-1, 7.6.1.1-1a, 7.6.1.1-1b and 7.6.1.1-2. The reference measurement channel for the wanted signal is identified in Table 7.2.1-1 and 7.2.1-2 for each channel bandwidth and further specified in Annex A.

Table 7.6.1.1-1: Blocking performance requirement for Wide Area BS

| Operating Band | Centre Frequency of Interfering Signal [MHz] | Interfering Signal mean power [dBm] | Wanted Signal mean power [dBm] | Interfering signal centre frequency minimum frequency offset from the channel edge of the wanted signal [MHz] | Type of Interfering Signal |
|-------------------------------------|---|-------------------------------------|-------------------------------------|---|----------------------------|
| 1-7, 9-11, 13, 14, 18,19, 21, 33-40 | $(F_{\text{UL_low}} - 20)$ to $(F_{\text{UL_high}} + 20)$ | -43 | $P_{\text{REFSENS}} + 6\text{dB}^*$ | See table 7.6.1.1-2 | See table 7.6.1.1-2 |
| | 1 to $(F_{\text{UL_low}} - 20)$ $(F_{\text{UL_high}} + 20)$ to 12750 | -15 | $P_{\text{REFSENS}} + 6\text{dB}^*$ | — | CW carrier |
| 8 | $(F_{\text{UL_low}} - 20)$ to $(F_{\text{UL_high}} + 10)$ | -43 | $P_{\text{REFSENS}} + 6\text{dB}^*$ | See table 7.6.1.1-2 | See table 7.6.1.1-2 |
| | 1 to $(F_{\text{UL_low}} - 20)$ $(F_{\text{UL_high}} + 10)$ to 12750 | -15 | $P_{\text{REFSENS}} + 6\text{dB}^*$ | — | CW carrier |
| 12 | $(F_{\text{UL_low}} - 20)$ to $(F_{\text{UL_high}} + 13)$ | -43 | $P_{\text{REFSENS}} + 6\text{dB}^*$ | See table 7.6.1.1-2 | See table 7.6.1.1-2 |
| | 1 to $(F_{\text{UL_low}} - 20)$ $(F_{\text{UL_high}} + 13)$ to 12750 | -15 | $P_{\text{REFSENS}} + 6\text{dB}^*$ | — | CW carrier |
| 17 | $(F_{\text{UL_low}} - 20)$ to $(F_{\text{UL_high}} + 18)$ | -43 | $P_{\text{REFSENS}} + 6\text{dB}^*$ | See table 7.6.1.1-2 | See table 7.6.1.1-2 |
| | 1 to $(F_{\text{UL_low}} - 20)$ $(F_{\text{UL_high}} + 18)$ to 12750 | -15 | $P_{\text{REFSENS}} + 6\text{dB}^*$ | — | CW carrier |
| 20 | $(F_{\text{UL_low}} - 11)$ to $(F_{\text{UL_high}} + 20)$ | -43 | $P_{\text{REFSENS}} + 6\text{dB}^*$ | See table 7.6.1.1-2 | See table 7.6.1.1-2 |
| | 1 to $(F_{\text{UL_low}} - 11)$ $(F_{\text{UL_high}} + 20)$ to 12750 | -15 | $P_{\text{REFSENS}} + 6\text{dB}^*$ | — | CW carrier |

Note*: P_{REFSENS} depends on the channel bandwidth as specified in Table 7.2.1-1.

Table 7.6.1.1-1a: Blocking performance requirement for Local Area BS

| Operating Band | Centre Frequency of Interfering Signal [MHz] | Interfering Signal mean power [dBm] | Wanted Signal mean power [dBm] | Interfering signal centre frequency minimum frequency offset from the channel edge of the wanted signal [MHz] | Type of Interfering Signal |
|------------------------------------|---|-------------------------------------|--------------------------------|---|----------------------------|
| 1-7, 9-11, 13-14, 18,19, 21, 33-40 | (F _{UL_low} -20) to (F _{UL_high} +20) | -35 | P _{REFSENS} +6dB* | See table 7.6.1.1-2 | See table 7.6.1.1-2 |
| | 1 to (F _{UL_low} -20) (F _{UL_high} +20) to 12750 | -15 | P _{REFSENS} +6dB* | — | CW carrier |
| 8 | (F _{UL_low} -20) to (F _{UL_high} +10) | -35 | P _{REFSENS} +6dB* | See table 7.6.1.1-2 | See table 7.6.1.1-2 |
| | 1 to (F _{UL_low} -20) (F _{UL_high} +10) to 12750 | -15 | P _{REFSENS} +6dB* | — | CW carrier |
| 12 | (F _{UL_low} -20) to (F _{UL_high} +13) | -35 | P _{REFSENS} +6dB* | See table 7.6.1.1-2 | See table 7.6.1.1-2 |
| | 1 to (F _{UL_low} -20) (F _{UL_high} +13) to 12750 | -15 | P _{REFSENS} +6dB* | — | CW carrier |
| 17 | (F _{UL_low} -20) to (F _{UL_high} +18) | -35 | P _{REFSENS} +6dB* | See table 7.6.1. 1-2 | See table 7.6.1.1-2 |
| | 1 to (F _{UL_low} -20) (F _{UL_high} +18) to 12750 | -15 | P _{REFSENS} +6dB* | — | CW carrier |
| 20 | (F _{UL_low} -11) to (F _{UL_high} +20) | -35 | P _{REFSENS} +6dB* | See table 7.6.1. 1-2 | See table 7.6.1.1-2 |
| | 1 to (F _{UL_low} -11) (F _{UL_high} +20) to 12750 | -15 | P _{REFSENS} +6dB* | — | CW carrier |

Note*: P_{REFSENS} depends on the channel bandwidth as specified in Table 7.2.1-2

Table 7.6.1.1-1b: Blocking performance requirement for Home BS

| Operating Band | Centre Frequency of Interfering Signal [MHz] | Interfering Signal mean power [dBm] | Wanted Signal mean power [dBm] | Interfering signal centre frequency minimum frequency offset from the channel edge of the wanted signal [MHz] | Type of Interfering Signal |
|--------------------------------------|---|-------------------------------------|--------------------------------|---|----------------------------|
| 1-7, 9-11, 13, 14, 18, 19, 21, 33-40 | (F _{UL_low} -20) to (F _{UL_high} +20) | -27 | P _{REFSENS} +14dB* | See table 7.6.1.1-2 | See table 7.6.1.1-2 |
| | 1 to (F _{UL_high} +20) to (F _{UL_low} -20) to 12750 | -15 | P _{REFSENS} +14dB* | — | CW carrier |
| 8 | (F _{UL_low} -20) to (F _{UL_high} +10) | -27 | P _{REFSENS} +14dB* | See table 7.6.1.1-2 | See table 7.6.1.1-2 |
| | 1 to (F _{UL_high} +10) to (F _{UL_low} -20) to 12750 | -15 | P _{REFSENS} +14dB* | — | CW carrier |
| 12 | (F _{UL_low} -20) to (F _{UL_high} +13) | -27 | P _{REFSENS} +14dB* | See table 7.6.1.1-2 | See table 7.6.1.1-2 |
| | 1 to (F _{UL_high} +13) to (F _{UL_low} -20) to 12750 | -15 | P _{REFSENS} +14dB* | — | CW carrier |
| 17 | (F _{UL_low} -20) to (F _{UL_high} +18) | -27 | P _{REFSENS} +14dB* | See table 7.6.1.1-2 | See table 7.6.1.1-2 |
| | 1 to (F _{UL_high} +18) to (F _{UL_low} -20) to 12750 | -15 | P _{REFSENS} +14dB* | — | CW carrier |
| 20 | (F _{UL_low} -11) to (F _{UL_high} +20) | -27 | P _{REFSENS} +14dB* | See table 7.6.1.1-2 | See table 7.6.1.1-2 |
| | 1 to (F _{UL_high} +20) to (F _{UL_low} -11) to 12750 | -15 | P _{REFSENS} +14dB* | — | CW carrier |

Note*: P_{REFSENS} depends on the channel bandwidth as specified in Table 7.2.1-3.

Table 7.6.1.1-2: Interfering signals for blocking performance requirement

| E-UTRA channel BW [MHz] | Interfering signal centre frequency minimum offset to the channel edge of the wanted signal [MHz] | Type of interfering signal |
|-------------------------|---|----------------------------|
| 1.4 | 2.1 | 1.4MHz E-UTRA signal |
| 3 | 4.5 | 3MHz E-UTRA signal |
| 5 | 7.5 | 5MHz E-UTRA signal |
| 10 | 7.5 | 5MHz E-UTRA signal |
| 15 | 7.5 | 5MHz E-UTRA signal |
| 20 | 7.5 | 5MHz E-UTRA signal |

7.6.2 Co-location with other base stations

This additional blocking requirement may be applied for the protection of E-UTRA BS receivers when GSM, CDMA, UTRA or E-UTRA BS operating in a different frequency band are co-located with an E-UTRA BS. The requirement is applicable to all channel bandwidths supported by the E-UTRA BS.

The requirements in this clause assume a 30 dB coupling loss between interfering transmitter and E-UTRA BS receiver and are based on co-location with base stations of the same class.

7.6.2.1 Minimum requirement

The throughput shall be $\geq 95\%$ of the maximum throughput of the reference measurement channel, with a wanted and an interfering signal coupled to BS antenna input using the parameters in Table 7.6.2.1-1 for Wide Area BS and 7.6.2.1-

2 for Local Area BS. The reference measurement channel for the wanted signal is identified in Table 7.2.1-1 and 7.2.1-2 for each channel bandwidth and further specified in Annex A.

Table 7.6.2.1-1: Blocking performance requirement for E-UTRA Wide Area BS when co-located with BS in other frequency bands.

| Co-located BS type | Centre Frequency of Interfering Signal (MHz) | Interfering Signal mean power (dBm) | Wanted Signal mean power (dBm) | Type of Interfering Signal |
|---|--|-------------------------------------|-------------------------------------|----------------------------|
| Macro GSM850 or CDMA850 | 869 – 894 | +16 | $P_{\text{REFSENS}} + 6\text{dB}^*$ | CW carrier |
| Macro GSM900 | 921 – 960 | +16 | $P_{\text{REFSENS}} + 6\text{dB}^*$ | CW carrier |
| Macro DCS1800 | 1805 – 1880 | +16 | $P_{\text{REFSENS}} + 6\text{dB}^*$ | CW carrier |
| Macro PCS1900 | 1930 – 1990 | +16 | $P_{\text{REFSENS}} + 6\text{dB}^*$ | CW carrier |
| WA UTRA FDD Band I or E-UTRA Band 1 | 2110 – 2170 | +16 | $P_{\text{REFSENS}} + 6\text{dB}^*$ | CW carrier |
| WA UTRA FDD Band II or E-UTRA Band 2 | 1930 – 1990 | +16 | $P_{\text{REFSENS}} + 6\text{dB}^*$ | CW carrier |
| WA UTRA FDD Band III or E-UTRA Band 3 | 1805 – 1880 | +16 | $P_{\text{REFSENS}} + 6\text{dB}^*$ | CW carrier |
| WA UTRA FDD Band IV or E-UTRA Band 4 | 2110 – 2155 | +16 | $P_{\text{REFSENS}} + 6\text{dB}^*$ | CW carrier |
| WA UTRA FDD Band V or E-UTRA Band 5 | 869 – 894 | +16 | $P_{\text{REFSENS}} + 6\text{dB}^*$ | CW carrier |
| WA UTRA FDD Band VI or E-UTRA Band 6 | 875 – 885 | +16 | $P_{\text{REFSENS}} + 6\text{dB}^*$ | CW carrier |
| WA UTRA FDD Band VII or E-UTRA Band 7 | 2620 – 2690 | +16 | $P_{\text{REFSENS}} + 6\text{dB}^*$ | CW carrier |
| WA UTRA FDD Band VIII or E-UTRA Band 8 | 925 – 960 | +16 | $P_{\text{REFSENS}} + 6\text{dB}^*$ | CW carrier |
| WA UTRA FDD Band IX or E-UTRA Band 9 | 1844.9 – 1879.9 | +16 | $P_{\text{REFSENS}} + 6\text{dB}^*$ | CW carrier |
| WA UTRA FDD Band X or E-UTRA Band 10 | 2110 – 2170 | +16 | $P_{\text{REFSENS}} + 6\text{dB}^*$ | CW carrier |
| WA UTRA FDD Band XI or E-UTRA Band 11 | 1475.9 – 1495.9 | +16 | $P_{\text{REFSENS}} + 6\text{dB}^*$ | CW carrier |
| WA UTRA FDD Band XII or E-UTRA Band 12 | 729 - 746 | +16 | $P_{\text{REFSENS}} + 6\text{dB}^*$ | CW carrier |
| WA UTRA FDD Band XIII or E-UTRA Band 13 | 746 - 756 | +16 | $P_{\text{REFSENS}} + 6\text{dB}^*$ | CW carrier |
| WA UTRA FDD Band XIV or E-UTRA Band 14 | 758 - 768 | +16 | $P_{\text{REFSENS}} + 6\text{dB}^*$ | CW carrier |
| WA E-UTRA Band 17 | 734 - 746 | +16 | $P_{\text{REFSENS}} + 6\text{dB}^*$ | CW carrier |
| WA E-UTRA Band 18 | 860 - 875 | +16 | $P_{\text{REFSENS}} + 6\text{dB}^*$ | CW carrier |
| WA UTRA FDD Band XIX or E-UTRA Band 19 | 875 - 890 | +16 | $P_{\text{REFSENS}} + 6\text{dB}^*$ | CW carrier |
| WA E-UTRA Band 20 | 791 - 821 | +16 | $P_{\text{REFSENS}} + 6\text{dB}^*$ | CW carrier |
| WA UTRA FDD Band XXI or E-UTRA Band 21 | 1495.9 – 1510.9 | +16 | $P_{\text{REFSENS}} + 6\text{dB}^*$ | CW carrier |
| WA UTRA TDD in Band a) | 1900-1920 2010-2025 | +16 | $P_{\text{REFSENS}} + 6\text{dB}^*$ | CW carrier |
| WA E-UTRA TDD in Band 33 | 1900-1920 | +16 | $P_{\text{REFSENS}} + 6\text{dB}^*$ | CW carrier |
| WA E-UTRA TDD in Band 34 | 2010-2025 | +16 | $P_{\text{REFSENS}} + 6\text{dB}^*$ | CW carrier |
| WA UTRA TDD in Band b) | 1850-1910 1930-1990 | +16 | $P_{\text{REFSENS}} + 6\text{dB}^*$ | CW carrier |
| WA E-UTRA TDD in Band 35 | 1850-1910 | +16 | $P_{\text{REFSENS}} + 6\text{dB}^*$ | CW carrier |
| WA E-UTRA TDD in Band 36 | 1930-1990 | +16 | $P_{\text{REFSENS}} + 6\text{dB}^*$ | CW carrier |
| WA UTRA TDD in Band c) or E-UTRA TDD in Band 37 | 1910-1930 | +16 | $P_{\text{REFSENS}} + 6\text{dB}^*$ | CW carrier |
| WA UTRA TDD in Band d) or E-UTRA in Band 38 | 2570-2620 | +16 | $P_{\text{REFSENS}} + 6\text{dB}^*$ | CW carrier |
| WA E-UTRA in Band 39 | 1880-1920 | +16 | $P_{\text{REFSENS}} + 6\text{dB}^*$ | CW carrier |
| WA E-UTRA in Band 40 | 2300-2400 | +16 | $P_{\text{REFSENS}} + 6\text{dB}^*$ | CW carrier |
| Note*: P_{REFSENS} depends on the channel bandwidth as specified in Table 7.2.1-1. | | | | |

NOTE 1: Except for a BS operating in Band 13, these requirements do not apply when the interfering signal falls within the uplink operating band or in the 10 MHz immediately outside the uplink operating band.
For a BS operating in band 13 the requirements do not apply when the interfering signal falls within the frequency range 768-797 MHz.

NOTE 2: Some combinations of bands may not be possible to co-site based on the requirements above. The current state-of-the-art technology does not allow a single generic solution for co-location of UTRA TDD or E-UTRA TDD with E-UTRA FDD on adjacent frequencies for 30dB BS-BS minimum coupling loss. However, there are certain site-engineering solutions that can be used. These techniques are addressed in TR 25.942 [8].

Table 7.6.2.1-2: Blocking performance requirement for Local Area BS when co-located with BS in other frequency bands.

| Co-located BS type | Centre Frequency of Interfering Signal (MHz) | Interfering Signal mean power (dBm) | Wanted Signal mean power (dBm) | Type of Interfering Signal |
|---|--|-------------------------------------|-------------------------------------|----------------------------|
| Pico GSM850 | 869 – 894 | -7 | $P_{\text{REFSENS}} + 6\text{dB}^*$ | CW carrier |
| Pico GSM900 | 921 – 960 | -7 | $P_{\text{REFSENS}} + 6\text{dB}^*$ | CW carrier |
| Pico DCS1800 | 1805 – 1880 | -4 | $P_{\text{REFSENS}} + 6\text{dB}^*$ | CW carrier |
| Pico PCS1900 | 1930 – 1990 | -4 | $P_{\text{REFSENS}} + 6\text{dB}^*$ | CW carrier |
| LA UTRA FDD Band I or E-UTRA Band 1 | 2110 – 2170 | -6 | $P_{\text{REFSENS}} + 6\text{dB}^*$ | CW carrier |
| LA UTRA FDD Band II or E-UTRA Band 2 | 1930 – 1990 | -6 | $P_{\text{REFSENS}} + 6\text{dB}^*$ | CW carrier |
| LA UTRA FDD Band III or E-UTRA Band 3 | 1805 – 1880 | -6 | $P_{\text{REFSENS}} + 6\text{dB}^*$ | CW carrier |
| LA UTRA FDD Band IV or E-UTRA Band 4 | 2110 – 2155 | -6 | $P_{\text{REFSENS}} + 6\text{dB}^*$ | CW carrier |
| LA UTRA FDD Band V or E-UTRA Band 5 | 869 – 894 | -6 | $P_{\text{REFSENS}} + 6\text{dB}^*$ | CW carrier |
| LA UTRA FDD Band VI or E-UTRA Band 6 | 875 – 885 | -6 | $P_{\text{REFSENS}} + 6\text{dB}^*$ | CW carrier |
| LA UTRA FDD Band VII or E-UTRA Band 7 | 2620 – 2690 | -6 | $P_{\text{REFSENS}} + 6\text{dB}^*$ | CW carrier |
| LA UTRA FDD Band VIII or E-UTRA Band 8 | 925 – 960 | -6 | $P_{\text{REFSENS}} + 6\text{dB}^*$ | CW carrier |
| LA UTRA FDD Band IX or E-UTRA Band 9 | 1844.9 – 1879.9 | -6 | $P_{\text{REFSENS}} + 6\text{dB}^*$ | CW carrier |
| LA UTRA FDD Band X or E-UTRA Band 10 | 2110 – 2170 | -6 | $P_{\text{REFSENS}} + 6\text{dB}^*$ | CW carrier |
| LA UTRA FDD Band XI or E-UTRA Band 11 | 1475.9 - 1495.9 | -6 | $P_{\text{REFSENS}} + 6\text{dB}^*$ | CW carrier |
| LA UTRA FDD Band XII or E-UTRA Band 12 | 729 - 746 | -6 | $P_{\text{REFSENS}} + 6\text{dB}^*$ | CW carrier |
| LA UTRA FDD Band XIII or E-UTRA Band 13 | 746 - 756 | -6 | $P_{\text{REFSENS}} + 6\text{dB}^*$ | CW carrier |
| LA UTRA FDD Band XIV or E-UTRA Band 14 | 758 - 768 | -6 | $P_{\text{REFSENS}} + 6\text{dB}^*$ | CW carrier |
| LA E-UTRA Band 17 | 734 - 746 | -6 | $P_{\text{REFSENS}} + 6\text{dB}^*$ | CW carrier |
| LA E-UTRA Band 18 | 860 - 875 | -6 | $P_{\text{REFSENS}} + 6\text{dB}^*$ | CW carrier |
| LA UTRA FDD Band XIX or E-UTRA Band 19 | 875 - 890 | -6 | $P_{\text{REFSENS}} + 6\text{dB}^*$ | CW carrier |
| LA E-UTRA Band 20 | 791 - 821 | -6 | $P_{\text{REFSENS}} + 6\text{dB}^*$ | CW carrier |
| LA UTRA FDD Band XXI or E-UTRA Band 21 | 1495.9 – 1510.9 | -6 | $P_{\text{REFSENS}} + 6\text{dB}^*$ | CW carrier |
| LA UTRA TDD in Band a) | 1900-1920 2010-2025 | -6 | $P_{\text{REFSENS}} + 6\text{dB}^*$ | CW carrier |
| LA E-UTRA TDD in Band 33 | 1900-1920 | -6 | $P_{\text{REFSENS}} + 6\text{dB}^*$ | CW carrier |
| LA E-UTRA TDD in Band 34 | 2010-2025 | -6 | $P_{\text{REFSENS}} + 6\text{dB}^*$ | CW carrier |
| LA UTRA TDD in Band b) | 1850-1910 1930-1990 | -6 | $P_{\text{REFSENS}} + 6\text{dB}^*$ | CW carrier |
| LA E-UTRA TDD in Band 35 | 1850-1910 | -6 | $P_{\text{REFSENS}} + 6\text{dB}^*$ | CW carrier |
| LA E-UTRA TDD in Band 36 | 1930-1990 | -6 | $P_{\text{REFSENS}} + 6\text{dB}^*$ | CW carrier |
| LA UTRA TDD in Band c) or E-UTRA TDD in Band 37 | 1910-1930 | -6 | $P_{\text{REFSENS}} + 6\text{dB}^*$ | CW carrier |
| LA UTRA TDD in Band d) or E-UTRA in Band 38 | 2570-2620 | -6 | $P_{\text{REFSENS}} + 6\text{dB}^*$ | CW carrier |
| LA E-UTRA in Band 39 | 1880-1920 | -6 | $P_{\text{REFSENS}} + 6\text{dB}^*$ | CW carrier |
| LA E-UTRA in Band 40 | 2300-2400 | -6 | $P_{\text{REFSENS}} + 6\text{dB}^*$ | CW carrier |
| Note*: P_{REFSENS} depends on the channel bandwidth as specified in Table 7.2.1-2. | | | | |
| NOTE 1: Except for a BS operating in Band 13, these requirements do not apply when the | | | | |

interfering signal falls within the uplink operating band or in the 10 MHz immediately outside the uplink operating band.
For a BS operating in band 13 the requirements do not apply when the interfering signal falls within the frequency range 768-797 MHz.

NOTE 2: Some combinations of bands may not be possible to co-site based on the requirements above. The current state-of-the-art technology does not allow a single generic solution for co-location of UTRA TDD or E-UTRA TDD with E-UTRA FDD on adjacent frequencies for 30dB BS-BS minimum coupling loss. However, there are certain site-engineering solutions that can be used. These techniques are addressed in TR 25.942 [8].

7.7 Receiver spurious emissions

The spurious emissions power is the power of emissions generated or amplified in a receiver that appear at the BS receiver antenna connector. The requirements apply to all BS with separate RX and TX antenna ports. In this case for FDD BS the test shall be performed when both TX and RX are on, with the TX port terminated.

For TDD BS with common RX and TX antenna port the requirement applies during the Transmitter OFF period. For FDD BS with common RX and TX antenna port the transmitter spurious emission as specified in clause 6.6.4 is valid.

7.7.1 Minimum requirement

The power of any spurious emission shall not exceed the levels in Table 7.7.1-1:

Table 7.7.1-1: General spurious emission minimum requirement

| Frequency range | Maximum level | Measurement Bandwidth | Note |
|--|---------------|-----------------------|------|
| 30MHz - 1 GHz | -57 dBm | 100 kHz | |
| 1 GHz - 12.75 GHz | -47 dBm | 1 MHz | |
| NOTE: The frequency range between $2.5 * BW_{\text{Channel}}$ below the first carrier frequency and $2.5 * BW_{\text{Channel}}$ above the last carrier frequency transmitted by the BS, where BW_{Channel} is the channel bandwidth according to Table 5.6-1, may be excluded from the requirement. However, frequencies that are more than 10 MHz below the lowest frequency of the BS downlink operating band or more than 10 MHz above the highest frequency of the BS downlink operating band shall not be excluded from the requirement. | | | |

In addition to the requirements in Table 7.7.1-1, the power of any spurious emission shall not exceed the levels specified for Protection of the E-UTRA FDD BS receiver of own or different BS in subclause 6.6.4.2 and for Co-existence with other systems in the same geographical area in subclause 6.6.4.3. In addition, the co-existence requirements for co-located base stations specified in subclause 6.6.4.4 may also be applied.

7.8 Receiver intermodulation

Third and higher order mixing of the two interfering RF signals can produce an interfering signal in the band of the desired channel. Intermodulation response rejection is a measure of the capability of the receiver to receive a wanted signal on its assigned channel frequency in the presence of two interfering signals which have a specific frequency relationship to the wanted signal. Interfering signals shall be a CW signal and an E-UTRA signal as specified in Annex C.

7.8.1 Minimum requirement

The throughput shall be $\geq 95\%$ of the maximum throughput of the reference measurement channel, with a wanted signal at the assigned channel frequency and two interfering signals coupled to the BS antenna input, with the conditions specified in Tables 7.8.1-1 and 7.8.1-2 for intermodulation performance and in Table 7.8.1-3, 7.8.1-4 and Table 7.8.1-5 for narrowband intermodulation performance. The reference measurement channel for the wanted signal is identified in Table 7.2.1-1, Table 7.2.1-2 and Table 7.2.1-3 for each channel bandwidth and further specified in Annex A.

Table 7.8.1-1: Intermodulation performance requirement

| BS type | Wanted signal mean power [dBm] | Interfering signal mean power [dBm] | Type of interfering signal |
|--|--|-------------------------------------|----------------------------|
| Wide Area BS | $P_{\text{REFSENS}} + 6\text{dB}^*$ | -52 | See Table 7.8.1-2 |
| Local Area BS | $P_{\text{REFSENS}} + 6\text{dB}^{**}$ | -44 | |
| Home BS | $P_{\text{REFSENS}} + 14\text{dB}^{***}$ | -36 | |
| Note*: P_{REFSENS} depends on the channel bandwidth as specified in Table 7.2.1-1. Note**: P_{REFSENS} depends on the channel bandwidth as specified in Table 7.2.1-2. Note***: P_{REFSENS} depends on the channel bandwidth as specified in Table 7.2.1-3. | | | |

Table 7.8.1-2: Interfering signal for Intermodulation performance requirement

| E-UTRA channel bandwidth [MHz] | Interfering signal centre frequency offset from the channel edge of the wanted signal [MHz] | Type of interfering signal |
|--------------------------------|---|----------------------------|
| 1.4 | 2.1 | CW |
| | 4.9 | 1.4MHz E-UTRA signal |
| 3 | 4.5 | CW |
| | 10.5 | 3MHz E-UTRA signal |
| 5 | 7.5 | CW |
| | 17.5 | 5MHz E-UTRA signal |
| 10 | 7.375 | CW |
| | 17.5 | 5MHz E-UTRA signal |
| 15 | 7.25 | CW |
| | 17.5 | 5MHz E-UTRA signal |
| 20 | 7.125 | CW |
| | 17.5 | 5MHz E-UTRA signal |

Table 7.8.1-3: Narrowband intermodulation performance requirement for Wide Area BS

| E-UTRA channel bandwidth [MHz] | Wanted signal mean power [dBm] | Interfering signal mean power [dBm] | Interfering RB centre frequency offset from the channel edge of the wanted signal [kHz] | Type of interfering signal |
|---|--|-------------------------------------|---|-------------------------------|
| 1.4 | $P_{\text{REFSENS}} + 6\text{dB}^*$ | -52 | 270 | CW |
| | | -52 | 790 | 1.4 MHz E-UTRA signal, 1 RB** |
| 3 | $P_{\text{REFSENS}} + 6\text{dB}^*$ | -52 | 270 | CW |
| | | -52 | 780 | 3.0 MHz E-UTRA signal, 1 RB** |
| 5 | $P_{\text{REFSENS}} + 6\text{dB}^*$ | -52 | 360 | CW |
| | | -52 | 1060 | 5 MHz E-UTRA signal, 1 RB** |
| 10 | $P_{\text{REFSENS}} + 6\text{dB}^*$ (***) | -52 | 325 | CW |
| | | -52 | 1240 | 5 MHz E-UTRA signal, 1 RB** |
| 15 | $P_{\text{REFSENS}} + 6\text{dB}^*$ (***) | -52 | 380 | CW |
| | | -52 | 1600 | 5MHz E-UTRA signal, 1 RB** |
| 20 | $P_{\text{REFSENS}} + 6\text{dB}^*$ (***) | -52 | 345 | CW |
| | | -52 | 1780 | 5MHz E-UTRA signal, 1 RB** |
| Note*: P_{REFSENS} is related to the channel bandwidth as specified in Table 7.2.1-1. | | | | |
| Note**: Interfering signal consisting of one resource block positioned at the stated offset, the channel bandwidth of the interfering signal is located adjacently to the channel bandwidth of the wanted signal. | | | | |
| Note***: This requirement shall apply only for a FRC A1-3 mapped to the frequency range at the channel edge adjacent to the interfering signals | | | | |

Table 7.8.1-4: Narrowband intermodulation performance requirement for Local Area BS

| E-UTRA channel bandwidth [MHz] | Wanted signal mean power [dBm] | Interfering signal mean power [dBm] | Interfering RB centre frequency offset from the channel edge of the wanted signal [kHz] | Type of interfering signal |
|---|--|-------------------------------------|---|-------------------------------|
| 1.4 | $P_{\text{REFSENS}} + 6\text{dB}^*$ | -44 | 270 | CW |
| | | -44 | 790 | 1.4 MHz E-UTRA signal, 1 RB** |
| 3 | $P_{\text{REFSENS}} + 6\text{dB}^*$ | -44 | 270 | CW |
| | | -44 | 780 | 3.0 MHz E-UTRA signal, 1 RB** |
| 5 | $P_{\text{REFSENS}} + 6\text{dB}^*$ | -44 | 360 | CW |
| | | -44 | 1060 | 5 MHz E-UTRA signal, 1 RB** |
| 10 | $P_{\text{REFSENS}} + 6\text{dB}^*$ (***) | -44 | 325 | CW |
| | | -44 | 1240 | 5 MHz E-UTRA signal, 1 RB** |
| 15 | $P_{\text{REFSENS}} + 6\text{dB}^*$ (***) | -44 | 380 | CW |
| | | -44 | 1600 | 5MHz E-UTRA signal, 1 RB** |
| 20 | $P_{\text{REFSENS}} + 6\text{dB}^*$ (***) | -44 | 345 | CW |
| | | -44 | 1780 | 5MHz E-UTRA signal, 1 RB** |
| Note*: P_{REFSENS} is related to the channel bandwidth as specified in Table 7.2.1-2. | | | | |
| Note**: Interfering signal consisting of one resource block positioned at the stated offset, the channel bandwidth of the interfering signal is located adjacently to the channel bandwidth of the wanted signal. | | | | |
| Note***: This requirement shall apply only for a FRC A1-3 mapped to the frequency range at the channel edge adjacent to the interfering signals | | | | |

Table 7.8.1-5: Narrowband intermodulation performance requirement for Home BS

| E-UTRA channel bandwidth [MHz] | Wanted signal mean power [dBm] | Interfering signal mean power [dBm] | Interfering RB centre frequency offset from the channel edge of the wanted signal [kHz] | Type of interfering signal |
|---|---|-------------------------------------|---|-------------------------------|
| 1.4 | $P_{\text{REFSENS}} + 14\text{dB}^*$ | -36 | 270 | CW |
| | | -36 | 790 | 1.4 MHz E-UTRA signal, 1 RB** |
| 3 | $P_{\text{REFSENS}} + 14\text{dB}^*$ | -36 | 270 | CW |
| | | -36 | 780 | 3.0 MHz E-UTRA signal, 1 RB** |
| 5 | $P_{\text{REFSENS}} + 14\text{dB}^*$ | -36 | 360 | CW |
| | | -36 | 1060 | 5 MHz E-UTRA signal, 1 RB** |
| 10 | $P_{\text{REFSENS}} + 14\text{dB}^*$ (***) | -36 | 325 | CW |
| | | -36 | 1240 | 5 MHz E-UTRA signal, 1 RB** |
| 15 | $P_{\text{REFSENS}} + 14\text{dB}^*$ (***) | -36 | 380 | CW |
| | | -36 | 1600 | 5MHz E-UTRA signal, 1 RB** |
| 20 | $P_{\text{REFSENS}} + 14\text{dB}^*$ (***) | -36 | 345 | CW |
| | | -36 | 1780 | 5MHz E-UTRA signal, 1 RB** |
| <p>Note*: P_{REFSENS} is related to the channel bandwidth as specified in Table 7.2.1-3.</p> <p>Note**: Interfering signal consisting of one resource block positioned at the stated offset, the channel bandwidth of the interfering signal is located adjacently to the channel bandwidth of the wanted signal.</p> <p>Note***: This requirement shall apply only for a FRC A1-3 mapped to the frequency range at the channel edge adjacent to the interfering signals.</p> | | | | |

8 Performance requirement

8.1 General

Performance requirements for the BS are specified for the fixed reference channels defined in Annex A and the propagation conditions in Annex B. Zero correlation is assumed at the base station receiver and so no correlation matrices are defined in Annex B. The requirements only apply to those FRCs that are supported by the base station.

The SNR used in this clause is defined as:

$$\text{SNR} = S / N$$

Where:

- S is the total signal energy in the subframe on a single antenna port.
- N is the noise energy in a bandwidth corresponding to the transmission bandwidth over the duration of a subframe.

8.2 Performance requirements for PUSCH

8.2.1 Requirements in multipath fading propagation conditions

The performance requirement of PUSCH is determined by a minimum required throughput for a given SNR. The required throughput is expressed as a fraction of maximum throughput for the FRCs listed in Annex A. The performance requirements assume HARQ retransmissions.

Table 8.2.1-1 Test parameters for testing PUSCH

| Parameter | Value |
|--------------------------------------|------------------------|
| Maximum number of HARQ transmissions | 4 |
| RV sequence | 0, 2, 3, 1, 0, 2, 3, 1 |
| Uplink-downlink allocation for TDD | Configuration 1 (2:2) |

8.2.1.1 Minimum requirements

The throughput shall be equal to or larger than the fraction of maximum throughput stated in the tables 8.2.1.1-1 to 8.2.1.1-6 at the given SNR.

Table 8.2.1.1-1 Minimum requirements for PUSCH, 1.4 MHz Channel Bandwidth

| Number of RX antennas | Cyclic prefix | Propagation conditions (Annex B) | FRC (Annex A) | Fraction of maximum throughput | SNR [dB] | | |
|-----------------------|---------------|----------------------------------|---------------|--------------------------------|----------|------|------|
| 2 | Normal | EPA 5Hz | A3-2 | 30% | -4.1 | | |
| | | | | 70% | 0.1 | | |
| | | | A4-3 | 70% | 10.6 | | |
| | | EVA 5Hz | A3-1 | 30% | -2.7 | | |
| | | | | 70% | 1.8 | | |
| | | | A4-1 | 30% | 4.4 | | |
| | | EVA 70Hz | A3-2 | 30% | -3.9 | | |
| | | | | 70% | 0.7 | | |
| | | | A4-3 | 30% | 4.0 | | |
| | | ETU 70Hz* | A3-1 | 30% | -2.4 | | |
| | | | | 70% | 2.4 | | |
| | | | ETU 300Hz* | A3-1 | 30% | -2.2 | |
| | | 70% | | | 2.9 | | |
| | | Extended | ETU 70Hz* | A4-2 | 30% | 4.8 | |
| | | | | | 70% | 13.5 | |
| | | 4 | Normal | EPA 5Hz | A3-2 | 30% | -6.6 |
| | | | | | | 70% | -3.1 |
| | | | | | A4-3 | 70% | 7.1 |
| EVA 5Hz | A3-1 | | | 30% | -5.0 | | |
| | | | | 70% | -1.3 | | |
| | A4-1 | | | 30% | 1.3 | | |
| EVA 70Hz | A3-2 | | | 30% | 7.8 | | |
| | | | | 70% | 15.4 | | |
| | A4-3 | | | 30% | -6.3 | | |
| ETU 70Hz* | A3-1 | | | 30% | -2.7 | | |
| | | | | 70% | 0.8 | | |
| | A4-3 | | | 30% | 8.3 | | |
| ETU 300Hz* | A3-1 | | | 30% | -4.8 | | |
| | | | | 70% | -1.0 | | |
| Extended | ETU 70Hz* | | | A4-2 | 30% | -4.6 | |
| | | | | | 70% | -0.6 | |
| Extended | ETU 70Hz* | | | A4-2 | 30% | 1.6 | |
| | | | | | 70% | 9.9 | |

Note*: Not applicable for Local Area BS and Home BS.

Table 8.2.1.1-2 Minimum requirements for PUSCH, 3 MHz Channel Bandwidth

| Number of RX antennas | Cyclic prefix | Propagation conditions (Annex B) | FRC (Annex A) | Fraction of maximum throughput | SNR [dB] |
|--|---------------|----------------------------------|---------------|--------------------------------|----------|
| 2 | Normal | EPA 5Hz | A3-3 | 30% | -4.1 |
| | | | | 70% | 0.1 |
| | | | A4-4 | 70% | 10.9 |
| | | A5-3 | 70% | 18.1 | |
| | | EVA 5Hz | A3-1 | 30% | -2.8 |
| | | | | 70% | 1.8 |
| | | | A4-1 | 30% | 4.3 |
| | | EVA 70Hz | A3-3 | 30% | -4.0 |
| | | | | 70% | 0.6 |
| | | | A4-4 | 30% | 4.7 |
| | | ETU 70Hz* | A3-1 | 30% | -2.5 |
| | | | | 70% | 2.4 |
| | | | ETU 300Hz* | A3-1 | 30% |
| | | 70% | | | 2.9 |
| | | Extended | ETU 70Hz* | A4-2 | 30% |
| | 70% | | | | 13.5 |
| | | | | | |
| | 4 | Normal | EPA 5Hz | A3-3 | 30% |
| 70% | | | | | -3.4 |
| A4-4 | | | | 70% | 7.7 |
| A5-3 | | | 70% | 14.4 | |
| EVA 5Hz | | | A3-1 | 30% | -5.0 |
| | | | | 70% | -1.3 |
| | | | A4-1 | 30% | 1.2 |
| EVA 70Hz | | | A3-3 | 30% | -6.5 |
| | | | | 70% | -2.9 |
| | | | A4-4 | 30% | 1.6 |
| ETU 70Hz* | | | A3-1 | 30% | -4.8 |
| | | | | 70% | -0.9 |
| | | | ETU 300Hz* | A3-1 | 30% |
| 70% | | | | | -0.6 |
| Extended | | | ETU 70Hz* | A4-2 | 30% |
| | | 70% | | | 9.9 |
| | | | | | |
| Note*: Not applicable for Local Area BS and Home BS. | | | | | |

Table 8.2.1.1-3 Minimum requirements for PUSCH, 5 MHz Channel Bandwidth

| Number of RX antennas | Cyclic prefix | Propagation conditions (Annex B) | FRC (Annex A) | Fraction of maximum throughput | SNR [dB] | |
|--|---------------|----------------------------------|---------------|--------------------------------|----------|------|
| 2 | Normal | EPA 5Hz | A3-4 | 30% | -4.7 | |
| | | | | 70% | -0.7 | |
| | | | A4-5 | 70% | 10.4 | |
| | | A5-4 | 70% | 18.0 | | |
| | | EVA 5Hz | A3-1 | 30% | -2.7 | |
| | | | | 70% | 1.8 | |
| | | | A4-1 | 30% | 4.3 | |
| | | | | 70% | 11.5 | |
| | | | A5-1 | 70% | 18.6 | |
| | | | | EVA 70Hz | A3-4 | 30% |
| | | 70% | -0.1 | | | |
| | | A4-5 | 30% | | 4.3 | |
| | | A4-5 | 70% | 12.3 | | |
| | | | ETU 70Hz* | A3-1 | 30% | -2.5 |
| | | 70% | | | 2.4 | |
| | | ETU 300Hz* | A3-1 | 30% | -2.2 | |
| | | | | 70% | 2.9 | |
| | | Extended | ETU 70Hz* | A4-2 | 30% | 4.8 |
| | 70% | | | | 13.5 | |
| | 4 | Normal | EPA 5Hz | A3-4 | 30% | -7.1 |
| 70% | | | | | -3.8 | |
| A4-5 | | | | 70% | 7.6 | |
| A5-4 | | | 70% | 14.4 | | |
| EVA 5Hz | | | A3-1 | 30% | -5.1 | |
| | | | | 70% | -1.4 | |
| | | | A4-1 | 30% | 1.2 | |
| | | | | 70% | 7.9 | |
| A5-1 | | | 70% | 15.5 | | |
| | | | EVA 70Hz | A3-4 | 30% | -6.9 |
| | | | | | 70% | -3.3 |
| A4-5 | | | | 30% | 1.2 | |
| A4-5 | | | 70% | 8.3 | | |
| | | | ETU 70Hz* | A3-1 | 30% | -4.8 |
| 70% | | | | | -0.9 | |
| ETU 300Hz* | | | A3-1 | 30% | -4.6 | |
| | | | | 70% | -0.6 | |
| Extended | | | ETU 70Hz* | A4-2 | 30% | 1.6 |
| | | 70% | | | 9.9 | |
| Note*: Not applicable for Local Area BS and Home BS. | | | | | | |

Table 8.2.1.1-4 Minimum requirements for PUSCH, 10 MHz Channel Bandwidth

| Number of RX antennas | Cyclic prefix | Propagation conditions (Annex B) | FRC (Annex A) | Fraction of maximum throughput | SNR [dB] |
|--|---------------|----------------------------------|---------------|--------------------------------|----------|
| 2 | Normal | EPA 5Hz | A3-5 | 30% | -4.2 |
| | | | | 70% | -0.4 |
| | | | A4-6 | 70% | 10.8 |
| | | A5-5 | 70% | 18.3 | |
| | | EVA 5Hz | A3-1 | 30% | -2.7 |
| | | | | 70% | 1.9 |
| | | | A4-1 | 30% | 4.3 |
| | | EVA 70Hz | A3-5 | 30% | -4.1 |
| | | | | 70% | 0.1 |
| | | | A4-6 | 30% | 4.5 |
| | | ETU 70Hz* | A3-1 | 30% | -2.5 |
| | | | | 70% | 2.4 |
| | | | ETU 300Hz* | A3-1 | 30% |
| | | 70% | | | 2.9 |
| | | Extended | ETU 70Hz* | A4-2 | 30% |
| | 70% | | | | 13.6 |
| | | | | | |
| | 4 | Normal | EPA 5Hz | A3-5 | 30% |
| 70% | | | | | -3.5 |
| A4-6 | | | | 70% | 7.5 |
| A5-5 | | | 70% | 14.7 | |
| EVA 5Hz | | | A3-1 | 30% | -5.0 |
| | | | | 70% | -1.2 |
| | | | A4-1 | 30% | 1.2 |
| EVA 70Hz | | | A3-5 | 30% | -6.7 |
| | | | | 70% | -2.9 |
| | | | A4-6 | 30% | 0.7 |
| ETU 70Hz* | | | A3-1 | 30% | -4.8 |
| | | | | 70% | -0.9 |
| | | | ETU 300Hz* | A3-1 | 30% |
| 70% | | | | | -0.6 |
| Extended | | | ETU 70Hz* | A4-2 | 30% |
| | | 70% | | | 10.3 |
| | | | | | |
| Note*: Not applicable for Local Area BS and Home BS. | | | | | |

Table 8.2.1.1-5 Minimum requirements for PUSCH, 15 MHz Channel Bandwidth

| Number of RX antennas | Cyclic prefix | Propagation conditions (Annex B) | FRC (Annex A) | Fraction of maximum throughput | SNR [dB] |
|--|---------------|----------------------------------|---------------|--------------------------------|----------|
| 2 | Normal | EPA 5Hz | A3-6 | 30% | -4.5 |
| | | | | 70% | -0.8 |
| | | | A4-7 | 70% | 11.3 |
| | | A5-6 | 70% | 18.8 | |
| | | EVA 5Hz | A3-1 | 30% | -2.8 |
| | | | | 70% | 1.8 |
| | | | A4-1 | 30% | 4.2 |
| | | EVA 70Hz | A3-6 | 30% | -4.5 |
| | | | | 70% | -0.3 |
| | | | A4-7 | 30% | 4.2 |
| | | ETU 70Hz* | A3-1 | 30% | -2.5 |
| | | | | 70% | 2.4 |
| | | | ETU 300Hz* | A3-1 | 30% |
| | | 70% | | | 2.9 |
| | | Extended | ETU 70Hz* | A4-2 | 30% |
| | 70% | | | | 13.6 |
| | | | | | |
| | 4 | Normal | EPA 5Hz | A3-6 | 30% |
| 70% | | | | | -3.8 |
| A4-7 | | | | 70% | 7.6 |
| A5-6 | | | 70% | 15.0 | |
| EVA 5Hz | | | A3-1 | 30% | -5.0 |
| | | | | 70% | -1.2 |
| | | | A4-1 | 30% | 1.2 |
| EVA 70Hz | | | A3-6 | 30% | -7.0 |
| | | | | 70% | -3.3 |
| | | | A4-7 | 30% | 0.7 |
| ETU 70Hz* | | | A3-1 | 30% | -4.8 |
| | | | | 70% | -1.0 |
| | | | ETU 300Hz* | A3-1 | 30% |
| 70% | | | | | -0.6 |
| Extended | | | ETU 70Hz* | A4-2 | 30% |
| | | 70% | | | 10.1 |
| | | | | | |
| Note*: Not applicable for Local Area BS and Home BS. | | | | | |

Table 8.2.1.1-6 Minimum requirements for PUSCH, 20 MHz Channel Bandwidth

| Number of RX antennas | Cyclic prefix | Propagation conditions (Annex B) | FRC (Annex A) | Fraction of maximum throughput | SNR [dB] |
|--|---------------|----------------------------------|---------------|--------------------------------|----------|
| 2 | Normal | EPA 5Hz | A3-7 | 30% | -4.2 |
| | | | | 70% | -0.4 |
| | | | A4-8 | 70% | 11.5 |
| | | A5-7 | 70% | 19.7 | |
| | | EVA 5Hz | A3-1 | 30% | -2.7 |
| | | | | 70% | 1.8 |
| | | | A4-1 | 30% | 4.3 |
| | | EVA 70Hz | A3-7 | 30% | -4.1 |
| | | | | 70% | 0.2 |
| | | | A4-8 | 30% | 4.2 |
| | | ETU 70Hz* | A3-1 | 30% | -2.4 |
| | | | | 70% | 2.4 |
| | | | ETU 300Hz* | A3-1 | 30% |
| | | ETU 300Hz* | A3-1 | 30% | -2.1 |
| | | | | 70% | 2.9 |
| | A4-2 | | 30% | 4.7 | |
| | Extended | ETU 70Hz* | A4-2 | 70% | 13.6 |
| | | | | 70% | 13.6 |
| 4 | Normal | EPA 5Hz | A3-7 | 30% | -6.8 |
| | | | | 70% | -3.5 |
| | | | A4-8 | 70% | 7.5 |
| | | A5-7 | 70% | 15.9 | |
| | | EVA 5Hz | A3-1 | 30% | -5.1 |
| | | | | 70% | -1.3 |
| | | | A4-1 | 30% | 1.2 |
| | | EVA 70Hz | A3-7 | 30% | -6.7 |
| | | | | 70% | -2.9 |
| | | | A4-8 | 30% | 0.7 |
| | | ETU 70Hz* | A3-1 | 30% | -4.4 |
| | | | | 70% | -0.9 |
| | | | ETU 300Hz* | A3-1 | 30% |
| | | ETU 300Hz* | A3-1 | 30% | -4.6 |
| | | | | 70% | -0.7 |
| | A4-2 | | 30% | 1.6 | |
| | Extended | ETU 70Hz* | A4-2 | 70% | 10.0 |
| | | | | 70% | 10.0 |
| Note*: Not applicable for Local Area BS and Home BS. | | | | | |

8.2.2 Requirements for UL timing adjustment

The performance requirement of UL timing adjustment is determined by a minimum required throughput for the moving UE at given SNR. The performance requirements assume HARQ retransmissions. The performance requirements for UL timing adjustment scenario 2 defined in Annex B.4 are optional.

In the tests for UL timing adjustment, two signals are configured, one being transmitted by a moving UE and the other being transmitted by a stationary UE. The transmission of SRS from UE is optional. FRC parameters in Table A.7-1 and Table A.8-1 are applied for both UEs. The received power for both UEs is the same. The resource blocks allocated for both UEs are consecutive. In Scenario 2, Doppler shift is not taken into account.

This requirement shall not be applied to Local Area BS and Home BS.

Table 8.2.2-1 Test parameters for testing UL timing adjustment

| Parameter | Value |
|--|---|
| Maximum number of HARQ transmissions | 4 |
| RV sequence | 0, 2, 3, 1, 0, 2, 3, 1 |
| Uplink-downlink allocation for TDD | Configuration 1 (2:2) |
| Subframes in which PUSCH is transmitted | For FDD: subframe #0, #2, #4, #6, and #8 in radio frames For TDD: subframe #2, #3, #7 and #8 in radio frames |
| Subframes in which sounding RS is transmitted (Note 1) | For FDD: subframe #1 in radio frames For TDD: UpPTS in subframe #1 in radio frames |
| Note 1. The transmission of SRS is optional. | |

8.2.2.1 Minimum requirements

The throughput shall be $\geq 70\%$ of the maximum throughput of the reference measurement channel as specified in Annex A for the moving UE at the SNR given in table 8.2.2.1-1.

Table 8.2.2.1-1 Minimum requirements for UL timing adjustment

| Number of RX antennas | Cyclic prefix | Channel Bandwidth [MHz] | Moving propagation conditions (Annex B) | FRC (Annex A) | SNR [dB] |
|-----------------------|---------------|-------------------------|---|---------------|----------|
| 2 | Normal | 1.4 | Scenario 1 | A7-1 | 13.1 |
| | | | Scenario 2 | A8-1 | -1.9 |
| | | 3 | Scenario 1 | A7-2 | 13.4 |
| | | | Scenario 2 | A8-2 | -1.5 |
| | | 5 | Scenario 1 | A7-3 | 13.2 |
| | | | Scenario 2 | A8-3 | -1.6 |
| | | 10 | Scenario 1 | A7-4 | 13.8 |
| | | | Scenario 2 | A8-4 | -1.8 |
| | | 15 | Scenario 1 | A7-5 | 14.0 |
| | | | Scenario 2 | A8-5 | -1.8 |
| | | 20 | Scenario 1 | A7-6 | 13.9 |
| | | | Scenario 2 | A8-6 | -1.8 |

8.2.3 Requirements for high speed train

The performance requirement of PUSCH for high speed train is determined by a minimum required throughput for a given SNR. The required throughput is expressed as a fraction of maximum throughput for the FRCs listed in Annex A. The performance requirements assume HARQ retransmissions. The performance requirements for high speed train are optional.

This requirement shall not be applied to Local Area BS and Home BS.

Table 8.2.3-1 Test parameters for high speed train

| Parameter | Value |
|---|--|
| Maximum number of HARQ transmissions | 4 |
| RV sequence | 0, 2, 3, 1, 0, 2, 3, 1 |
| Uplink-downlink allocation for TDD | Configuration 1 (2:2) |
| Subframes in which PUSCH is transmitted | For FDD: subframe #0 and #8 in radio frames for which SFN mod 4 = 0 subframe #6 in radio frames for which SFN mod 4 = 1 subframe #4 in radio frames for which SFN mod 4 = 2 subframe #2 in radio frames for which SFN mod 4 = 3 For TDD: subframe #2 in each radio frame |
| Subframes in which PUCCH is transmitted (Note1, Note 2) | For FDD: subframe #5 in radio frames For TDD: subframe #3 in each radio frame |
| Note 1. The configuration of PUCCH (format 2) is optional. Note 2. The SNR values per antenna shall be set to -4.5 dB and -1.5 dB for Scenario 1 and 3, respectively. | |

8.2.3.1 Minimum requirements

The throughput shall be equal to or larger than the fraction of maximum throughput stated in table 8.2.3.1-1 at the given SNR.

Table 8.2.3.1-1 Minimum requirements of PUSCH for high speed train

| Channel Bandwidth [MHz] | Cyclic prefix | FRC (Annex A) | Number of RX antennas | Propagation conditions (Annex B) | Fraction of maximum throughput | SNR [dB] |
|-------------------------|---------------|---------------|-----------------------|----------------------------------|--------------------------------|----------|
| 1.4 | Normal | A3-2 | 1 | HST Scenario 3 | 30% | -1.5 |
| | | | | | 70% | 1.9 |
| | | | 2 | HST Scenario 1 | 30% | -3.9 |
| | | | | | 70% | -0.6 |
| 3 | Normal | A3-3 | 1 | HST Scenario 3 | 30% | -2.1 |
| | | | | | 70% | 1.6 |
| | | | 2 | HST Scenario 1 | 30% | -4.5 |
| | | | | | 70% | -1.0 |
| 5 | Normal | A3-4 | 1 | HST Scenario 3 | 30% | -2.6 |
| | | | | | 70% | 1.3 |
| | | | 2 | HST Scenario 1 | 30% | -5.1 |
| | | | | | 70% | -1.4 |
| 10 | Normal | A3-5 | 1 | HST Scenario 3 | 30% | -2.7 |
| | | | | | 70% | 1.2 |
| | | | 2 | HST Scenario 1 | 30% | -5.4 |
| | | | | | 70% | -1.5 |
| 15 | Normal | A3-6 | 1 | HST Scenario 3 | 30% | -2.7 |
| | | | | | 70% | 1.2 |
| | | | 2 | HST Scenario 1 | 30% | -5.2 |
| | | | | | 70% | -1.4 |
| 20 | Normal | A3-7 | 1 | HST Scenario 3 | 30% | -2.7 |
| | | | | | 70% | 1.2 |
| | | | 2 | HST Scenario 1 | 30% | -5.3 |
| | | | | | 70% | -1.4 |

8.2.4 Requirements for HARQ-ACK multiplexed on PUSCH

Two performance requirements are defined for HARQ-ACK multiplexed on PUSCH: ACK false detection and ACK missed detection requirements.

The ACK false detection probability for PUSCH is the probability that ACK is detected when data only is sent on symbols where HARQ-ACK information can be allocated (i.e. by puncturing data).

The ACK missed detection probability for HARQ-ACK multiplexed on PUSCH is the conditional probability of not detecting an ACK when it was sent on PUSCH resources.

In the tests for ACK missed detection on PUSCH, data is punctured by the control information (i.e. ACK/NAK) in both slots within subframe on symbols as specified in 36.212.

In both tests none of CQI, RI nor SRS is transmitted. Tests are to be performed for one bit HARQ-ACK information ($O = 1$).

8.2.4.1 Minimum requirement

The ACK false detection probability as well as the ACK missed detection probability for HARQ-ACK multiplexed on PUSCH shall not exceed 1% at PUSCH power settings presented in table 8.2.4.1-1.

Table 8.2.4.1-1 Minimum requirements for HARQ-ACK multiplexed on PUSCH

| Number of RX antennas | Cyclic Prefix | Propagation conditions (Annex B) | Channel Bandwidth [MHz] | FRC (Annex A) | $I_{offset}^{HARQ-ACK}$ | SNR [dB] | |
|-----------------------|---------------|----------------------------------|-------------------------|---------------|-------------------------|----------|------|
| 2 | Normal | EVA 5* | 1.4 | A.3-1 | 8 | 6.8 | |
| | | | | A.4-3 | 5 | 13.6 | |
| | | | 3 | A.3-1 | 8 | 6.8 | |
| | | | | A.4-4 | 5 | 13.1 | |
| | | | 5 | A.3-1 | 8 | 6.9 | |
| | | | | A.4-5 | 5 | 12.4 | |
| | | | 10 | A.3-1 | 8 | 6.8 | |
| | | | | A.4-6 | 5 | 12.4 | |
| | | | 15 | A.3-1 | 8 | 6.8 | |
| | | | | A.4-7 | 5 | 12.0 | |
| | | | 20 | A.3-1 | 8 | 6.8 | |
| | | | | A.4-8 | 5 | 11.9 | |
| | | | ETU70** | 1.4 | A.3-1 | 8 | 6.6 |
| | | | | | A.4-3 | 5 | 13.8 |
| | | 3 | | A.3-1 | 8 | 6.6 | |
| | | | | A.4-4 | 5 | 12.9 | |
| | | 5 | | A.3-1 | 8 | 6.5 | |
| | | | | A.4-5 | 5 | 12.5 | |
| | | 10 | A.3-1 | 8 | 6.6 | | |
| | | | A.4-6 | 5 | 12.3 | | |
| 15 | A.3-1 | 8 | 6.7 | | | | |
| | A.4-7 | 5 | 12.1 | | | | |
| 20 | A.3-1 | 8 | 6.5 | | | | |
| | A.4-8 | 5 | 12 | | | | |

Note*: Not applicable for Wide Area BS.
Note**: Not applicable for Local Area BS and Home BS.

8.3 Performance requirements for PUCCH

8.3.1 DTX to ACK performance

The DTX to ACK requirement is valid for any number of receive antennas, for all frame structures and for any channel bandwidth.

The DTX to ACK probability for multi user PUCCH case denotes the probability that ACK is detected when nothing is sent on the wanted signal and the interfering signals are present.

8.3.1.1 Minimum requirement

The DTX to ACK probability, i.e. the probability that ACK is detected when nothing is sent, shall not exceed 1%.

8.3.2 ACK missed detection requirements for single user PUCCH format 1a

The ACK missed detection probability is the probability of not detecting an ACK when an ACK was sent.

ACK/NAK repetitions are disabled for PUCCH transmission.

8.3.2.1 Minimum requirements

The ACK missed detection probability shall not exceed 1% at the SNR given in table 8.3.2.1-1.

Table 8.3.2.1-1 Minimum requirements for single user PUCCH format 1a

| Number of RX antennas | Cyclic Prefix | Propagation Conditions (Annex B) | Channel Bandwidth / SNR [dB] | | | | | |
|-----------------------|---------------|----------------------------------|------------------------------|-------|-------|--------|--------|--------|
| | | | 1.4 MHz | 3 MHz | 5 MHz | 10 MHz | 15 MHz | 20 MHz |
| 2 | Normal | EPA 5 | -2.5 | -3.9 | -4.8 | -5.4 | -5.3 | -5.1 |
| | | EVA 5 | -4.5 | -5.1 | -5.1 | -5.0 | -5.1 | -5.1 |
| | | EVA 70 | -4.9 | -5.2 | -5.2 | -5.1 | -5.2 | -5.1 |
| | | ETU 300* | -5.0 | -5.1 | -4.9 | -5.0 | -5.2 | -5.2 |
| | Extended | ETU 70* | -4.2 | -4.3 | -4.1 | -4.3 | -4.2 | -4.3 |
| 4 | Normal | EPA 5 | -7.9 | -8.4 | -8.7 | -8.9 | -8.9 | -9.0 |
| | | EVA 5 | -8.8 | -9.1 | -9.1 | -8.8 | -8.9 | -8.9 |
| | | EVA 70 | -8.9 | -9.0 | -9.0 | -8.8 | -9.0 | -8.8 |
| | | ETU 300* | -8.7 | -8.9 | -8.7 | -8.7 | -8.9 | -8.8 |
| | Extended | ETU 70* | -7.9 | -8.1 | -7.9 | -8.1 | -8.0 | -8.0 |

Note*: Not applicable for Local Area BS and Home BS.

8.3.3 CQI performance requirements for PUCCH format 2

The CQI block error probability (BLER) is defined as the conditional probability of incorrectly decoding the CQI information when the CQI information is sent. All CQI information shall be decoded (no exclusion due to DTX).

The CQI information bit payload per sub-frame is equal to 4 bits.

8.3.3.1 Minimum requirements

The CQI block error probability shall not exceed 1% at the SNR given in table 8.3.3.1-1.

Table 8.3.3.1-1 Minimum requirements for PUCCH format 2

| Number of RX antennas | Cyclic Prefix | Propagation Conditions (Annex B) | Channel Bandwidth / SNR [dB] | | | | | |
|-----------------------|---------------|----------------------------------|------------------------------|-------|-------|--------|--------|--------|
| | | | 1.4 MHz | 3 MHz | 5 MHz | 10 MHz | 15 MHz | 20 MHz |
| 2 | Normal | EVA 5* | -3.7 | -4.1 | -4.4 | -4.0 | -4.2 | -4.2 |
| | | ETU 70** | -3.9 | -4.4 | -4.2 | -4.4 | -4.4 | -4.4 |

Note*: Not applicable for Wide Area BS.
Note**: Not applicable for Local Area BS and Home BS.

8.3.4 ACK missed detection requirements for multi user PUCCH format 1a

The ACK missed detection probability is the conditional probability of not detecting an ACK on the wanted signal in the presence of the wanted signal and the interfering signals.

Test parameters for multi user PUCCH case are presented in Annex A.9.

ACK/NAK repetitions are disabled for PUCCH transmission.

8.3.4.1 Minimum requirement

The ACK missed detection probability for multi user PUCCH case shall not exceed 1% at the SNR given in table 8.3.4.1-1.

Table 8.3.4.1-1 Minimum requirements for multi user PUCCH case

| Number of RX antennas | Cyclic Prefix | Propagation Conditions (Annex B) | Channel Bandwidth / SNR [dB] | | | | | |
|-----------------------|---------------|----------------------------------|------------------------------|-------|-------|--------|--------|--------|
| | | | 1.4 MHz | 3 MHz | 5 MHz | 10 MHz | 15 MHz | 20 MHz |
| 2 | Normal | ETU 70* | -4.1 | -4.4 | -4.4 | -4.6 | -4.6 | -4.4 |

Note*: Not applicable for Local Area BS and Home BS.

8.4 Performance requirements for PRACH

8.4.1 PRACH False alarm probability

The false alarm requirement is valid for any number of receive antennas, for all frame structures and for any channel bandwidth.

The false alarm probability is the conditional total probability of erroneous detection of the preamble (i.e. erroneous detection from any detector) when input is only noise.

8.4.1.1 Minimum requirement

The false alarm probability shall be less than or equal to 0.1%.

8.4.2 PRACH detection requirements

The probability of detection is the conditional probability of correct detection of the preamble when the signal is present. There are several error cases – detecting different preamble than the one that was sent, not detecting a preamble at all or correct preamble detection but with the wrong timing estimation. For AWGN, a timing estimation error occurs if the estimation error of the timing of the strongest path is larger than 1.04us. For ETU70, a timing estimation error occurs if the estimation error of the timing of the strongest path is larger than 2.08us. The strongest path for the timing estimation error refers to the strongest path (i.e. average of the delay of all paths having the same highest gain = 310ns for ETU) in the power delay profile.

The test preambles for normal mode are listed in table A.6-1 and the test preambles for high speed mode are listed in A.6-2.

8.4.2.1 Minimum requirements

The probability of detection shall be equal to or exceed 99% for the SNR levels listed in table 8.4.2.1-1 and 8.4.2.1-2.

The requirements for Burst format 4 are optional and only valid for base stations supporting TDD. The requirements for high speed mode (table 8.4.2.1-2) are only valid for the base stations supporting high speed mode.

Table 8.4.2.1-1 PRACH missed detection requirements for Normal Mode

| Number of RX antennas | Propagation conditions (Annex B) | Frequency offset | SNR [dB] | | | | |
|-----------------------|----------------------------------|------------------|----------------|----------------|----------------|----------------|----------------|
| | | | Burst format 0 | Burst format 1 | Burst format 2 | Burst format 3 | Burst format 4 |
| 2 | AWGN | 0 | -14.2 | -14.2 | -16.4 | -16.5 | -7.2 |
| | ETU 70* | 270 Hz | -8.0 | -7.8 | -10.0 | -10.1 | -0.1 |
| 4 | AWGN | 0 | -16.9 | -16.7 | -19.0 | -18.8 | -9.8 |
| | ETU 70* | 270 Hz | -12.1 | -11.7 | -14.1 | -13.9 | -5.1 |

Note*: Not applicable for Local Area BS and Home BS.

The requirements in Table 8.4.2.1-2 shall not be applied to Local Area BS and Home BS.

Table 8.4.2.1-2 PRACH missed detection requirements for High speed Mode

| Number of RX antennas | Propagation conditions (Annex B) | Frequency offset | SNR [dB] | | | |
|-----------------------|----------------------------------|------------------|----------------|----------------|----------------|----------------|
| | | | Burst format 0 | Burst format 1 | Burst format 2 | Burst format 3 |
| 2 | AWGN | 0 | -14.1 | -14.2 | -16.3 | -16.6 |
| | ETU 70 | 270 Hz | -7.4 | -7.3 | -9.3 | -9.5 |
| | AWGN | 625 Hz | -12.4 | -12.3 | -14.4 | -14.4 |
| | AWGN | 1340 Hz | -13.4 | -13.5 | -15.5 | -15.7 |
| 4 | AWGN | 0 | -16.9 | -16.6 | -18.9 | -18.8 |
| | ETU 70 | 270 Hz | -11.8 | -11.4 | -13.7 | -13.7 |
| | AWGN | 625 Hz | -14.9 | -14.6 | -16.8 | -16.8 |
| | AWGN | 1340 Hz | -15.9 | -15.5 | -17.8 | -17.8 |

Annex A (normative): Reference measurement channels

The parameters for the reference measurement channels are specified in clause A.1 for reference sensitivity and in-channel selectivity and in clause A.2 for dynamic range.

A schematic overview of the encoding process for the reference measurement channels is provided in Figure A-1.

Receiver requirements in the present document are defined with a throughput stated relative to the Maximum throughput of the FRC. The Maximum throughput for an FRC equals the Payload size * the Number of uplink subframes per second. For FDD, 1000 uplink sub-frames per second are used.

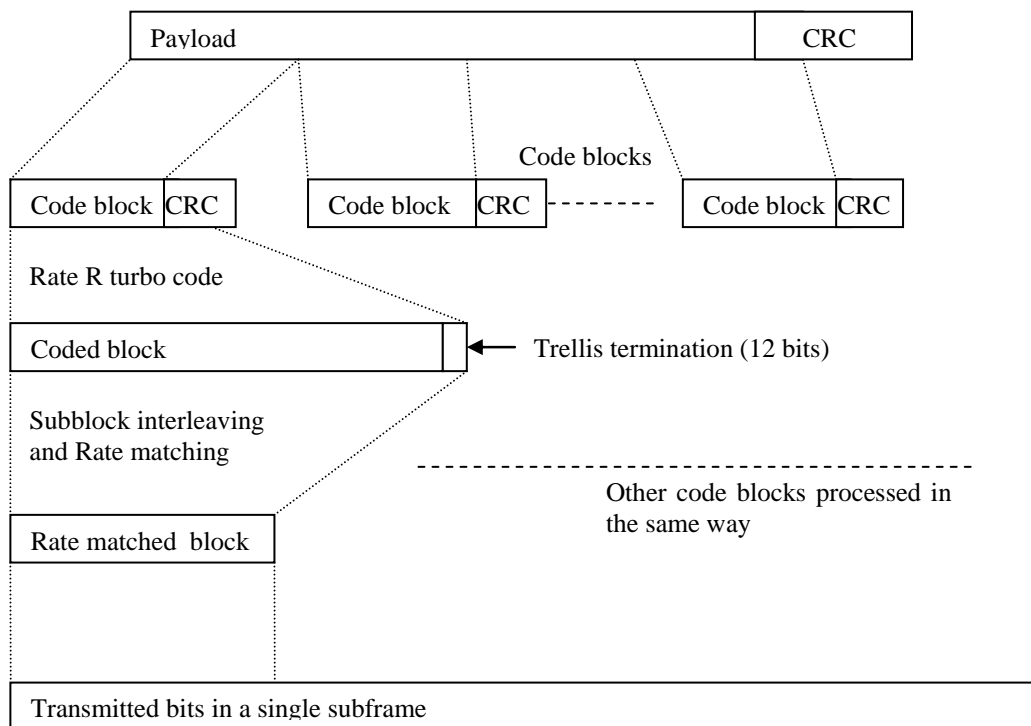


Figure A-1. Schematic overview of the encoding process

A.1 Fixed Reference Channels for reference sensitivity and in-channel selectivity (QPSK, R=1/3)

The parameters for the reference measurement channels are specified in Table A.1-1 for reference sensitivity and in-channel selectivity.

Table A.1-1 FRC parameters for reference sensitivity and in-channel selectivity

| Reference channel | A1-1 | A1-2 | A1-3 | A1-4 | A1-5 |
|--|------|------|------|------|------|
| Allocated resource blocks | 6 | 15 | 25 | 3 | 9 |
| DFT-OFDM Symbols per subframe | 12 | 12 | 12 | 12 | 12 |
| Modulation | QPSK | QPSK | QPSK | QPSK | QPSK |
| Code rate | 1/3 | 1/3 | 1/3 | 1/3 | 1/3 |
| Payload size (bits) | 600 | 1544 | 2216 | 256 | 936 |
| Transport block CRC (bits) | 24 | 24 | 24 | 24 | 24 |
| Code block CRC size (bits) | 0 | 0 | 0 | 0 | 0 |
| Number of code blocks - C | 1 | 1 | 1 | 1 | 1 |
| Coded block size including 12bits trellis termination (bits) | 1884 | 4716 | 6732 | 852 | 2892 |
| Total number of bits per sub-frame | 1728 | 4320 | 7200 | 864 | 2592 |
| Total symbols per sub-frame | 864 | 2160 | 3600 | 432 | 1296 |

A.2 Fixed Reference Channels for dynamic range (16QAM, R=2/3)

The parameters for the reference measurement channels are specified in Table A.2-1 for dynamic range.

Table A.2-1 FRC parameters for dynamic range

| Reference channel | A2-1 | A2-2 | A2-3 |
|--|-------|-------|-------|
| Allocated resource blocks | 6 | 15 | 25 |
| DFT-OFDM Symbols per subframe | 12 | 12 | 12 |
| Modulation | 16QAM | 16QAM | 16QAM |
| Code rate | 2/3 | 2/3 | 2/3 |
| Payload size (bits) | 2344 | 5992 | 9912 |
| Transport block CRC (bits) | 24 | 24 | 24 |
| Code block CRC size (bits) | 0 | 0 | 24 |
| Number of code blocks - C | 1 | 1 | 2 |
| Coded block size including 12bits trellis termination (bits) | 7116 | 18060 | 14988 |
| Total number of bits per sub-frame | 3456 | 8640 | 14400 |
| Total symbols per sub-frame | 864 | 2160 | 3600 |

A.3 Fixed Reference Channels for performance requirements (QPSK 1/3)

Table A.3-1 FRC parameters for performance requirements (QPSK 1/3)

| Reference channel | A3-1 | A3-2 | A3-3 | A3-4 | A3-5 | A3-6 | A3-7 |
|--|------|------|------|------|-------|-------|-------|
| Allocated resource blocks | 1 | 6 | 15 | 25 | 50 | 75 | 100 |
| DFT-OFDM Symbols per subframe | 12 | 12 | 12 | 12 | 12 | 12 | 12 |
| Modulation | QPSK | QPSK | QPSK | QPSK | QPSK | QPSK | QPSK |
| Code rate | 1/3 | 1/3 | 1/3 | 1/3 | 1/3 | 1/3 | 1/3 |
| Payload size (bits) | 104 | 600 | 1544 | 2216 | 5160 | 6712 | 10296 |
| Transport block CRC (bits) | 24 | 24 | 24 | 24 | 24 | 24 | 24 |
| Code block CRC size (bits) | 0 | 0 | 0 | 0 | 0 | 24 | 24 |
| Number of code blocks - C | 1 | 1 | 1 | 1 | 1 | 2 | 2 |
| Coded block size including 12bits trellis termination (bits) | 396 | 1884 | 4716 | 6732 | 15564 | 10188 | 15564 |
| Total number of bits per sub-frame | 288 | 1728 | 4320 | 7200 | 14400 | 21600 | 28800 |
| Total symbols per sub-frame | 144 | 864 | 2160 | 3600 | 7200 | 10800 | 14400 |

A.4 Fixed Reference Channels for performance requirements (16QAM 3/4)

Table A.4-1 FRC parameters for performance requirements (16QAM 3/4)

| Reference channel | A4-1 | A4-2 | A4-3 | A4-4 | A4-5 | A4-6 | A4-7 | A4-8 |
|--|-------|-------|-------|-------|-------|-------|-------|-------|
| Allocated resource blocks | 1 | 1 | 6 | 15 | 25 | 50 | 75 | 100 |
| DFT-OFDM Symbols per subframe | 12 | 10 | 12 | 12 | 12 | 12 | 12 | 12 |
| Modulation | 16QAM | 16QAM | 16QAM | 16QAM | 16QAM | 16QAM | 16QAM | 16QAM |
| Code rate | 3/4 | 3/4 | 3/4 | 3/4 | 3/4 | 3/4 | 3/4 | 3/4 |
| Payload size (bits) | 408 | 376 | 2600 | 6456 | 10680 | 21384 | 32856 | 43816 |
| Transport block CRC (bits) | 24 | 24 | 24 | 24 | 24 | 24 | 24 | 24 |
| Code block CRC size (bits) | 0 | 0 | 0 | 24 | 24 | 24 | 24 | 24 |
| Number of code blocks - C | 1 | 1 | 1 | 2 | 2 | 4 | 6 | 8 |
| Coded block size including 12bits trellis termination (bits) | 1308 | 1212 | 7884 | 9804 | 16140 | 16140 | 16524 | 16524 |
| Total number of bits per sub-frame | 576 | 480 | 3456 | 8640 | 14400 | 28800 | 43200 | 57600 |
| Total symbols per sub-frame | 144 | 120 | 864 | 2160 | 3600 | 7200 | 10800 | 14400 |

A.5 Fixed Reference Channels for performance requirements (64QAM 5/6)

Table A.5-1 FRC parameters for performance requirements (64QAM 5/6)

| Reference channel | A5-1 | A5-2 | A5-3 | A5-4 | A5-5 | A5-6 | A5-7 |
|--|-------|-------|-------|-------|-------|-------|-------|
| Allocated resource blocks | 1 | 6 | 15 | 25 | 50 | 75 | 100 |
| DFT-OFDM Symbols per subframe | 12 | 12 | 12 | 12 | 12 | 12 | 12 |
| Modulation | 64QAM | 64QAM | 64QAM | 64QAM | 64QAM | 64QAM | 64QAM |
| Code rate | 5/6 | 5/6 | 5/6 | 5/6 | 5/6 | 5/6 | 5/6 |
| Payload size (bits) | 712 | 4392 | 11064 | 18336 | 36696 | 55056 | 75376 |
| Transport block CRC (bits) | 24 | 24 | 24 | 24 | 24 | 24 | 24 |
| Code block CRC size (bits) | 0 | 0 | 24 | 24 | 24 | 24 | 24 |
| Number of code blocks - C | 1 | 1 | 2 | 3 | 6 | 9 | 13 |
| Coded block size including 12bits trellis termination (bits) | 2220 | 13260 | 16716 | 18444 | 18444 | 18444 | 17484 |
| Total number of bits per sub-frame | 864 | 5184 | 12960 | 21600 | 43200 | 64800 | 86400 |
| Total symbols per sub-frame | 144 | 864 | 2160 | 3600 | 7200 | 10800 | 14400 |

A.6 PRACH Test preambles

Table A.6-1 Test preambles for Normal Mode

| Burst format | Ncs | Logical sequence index | v |
|--------------|-----|------------------------|----|
| 0 | 13 | 22 | 32 |
| 1 | 167 | 22 | 2 |
| 2 | 167 | 22 | 0 |
| 3 | 0 | 22 | 0 |
| 4 | 10 | 0 | 0 |

Table A.6-2 Test preambles for High speed Mode

| Burst format | Ncs | Logical sequence index | v |
|--------------|-----|------------------------|---|
| 0 | 15 | 384 | 0 |
| 1 | 202 | 384 | 0 |
| 2 | 202 | 384 | 0 |
| 3 | 237 | 384 | 0 |

A.7 Fixed Reference Channels for UL timing adjustment (Scenario 1)

Table A.7-1 FRC parameters for UL timing adjustment (Scenario 1)

| Reference channel | A7-1 | A7-2 | A7-3 | A7-4 | A7-5 | A7-6 |
|--|-------|-------|-------|-------|-------|-------|
| Allocated resource blocks | 3 | 6 | 12 | 25 | 25 | 25 |
| DFT-OFDM Symbols per subframe | 12 | 12 | 12 | 12 | 12 | 12 |
| Modulation | 16QAM | 16QAM | 16QAM | 16QAM | 16QAM | 16QAM |
| Code rate | 3/4 | 3/4 | 3/4 | 3/4 | 3/4 | 3/4 |
| Payload size (bits) | 1288 | 2600 | 5160 | 10680 | 10680 | 10680 |
| Transport block CRC (bits) | 24 | 24 | 24 | 24 | 24 | 24 |
| Code block CRC size (bits) | 0 | 0 | 0 | 24 | 24 | 24 |
| Number of code blocks - C | 1 | 1 | 1 | 2 | 2 | 2 |
| Coded block size including 12bits trellis termination (bits) | 3948 | 7884 | 15564 | 16140 | 16140 | 16140 |
| Total number of bits per sub-frame | 1728 | 3456 | 6912 | 14400 | 14400 | 14400 |
| Total symbols per sub-frame | 432 | 864 | 1728 | 3600 | 3600 | 3600 |
| SRS bandwidth configuration (See TS 36.211, 5.5.3) (Note 1) | 7 | 5 | 3 | 2 | 5 | 2 |
| SRS-Bandwidth b (See TS 36.211, 5.5.3) (Note 1, 2) | 0 | 0 | 0 | 0 | 0 | 1 |
| NOTE 1. The transmission of SRS is optional | | | | | | |
| NOTE 2. PUSCH resource blocks shall be included in SRS resource blocks | | | | | | |

A.8 Fixed Reference Channels for UL timing adjustment (Scenario 2)

Table A.8-1 FRC parameters for UL timing adjustment (Scenario 2)

| Reference channel | A8-1 | A8-2 | A8-3 | A8-4 | A8-5 | A8-6 |
|--|------|------|------|------|------|------|
| Allocated resource blocks | 3 | 6 | 12 | 25 | 25 | 25 |
| DFT-OFDM Symbols per subframe | 12 | 12 | 12 | 12 | 12 | 12 |
| Modulation | QPSK | QPSK | QPSK | QPSK | QPSK | QPSK |
| Code rate | 1/3 | 1/3 | 1/3 | 1/3 | 1/3 | 1/3 |
| Payload size (bits) | 256 | 600 | 1224 | 2216 | 2216 | 2216 |
| Transport block CRC (bits) | 24 | 24 | 24 | 24 | 24 | 24 |
| Code block CRC size (bits) | 0 | 0 | 0 | 0 | 0 | 0 |
| Number of code blocks - C | 1 | 1 | 1 | 1 | 1 | 1 |
| Coded block size including 12bits trellis termination (bits) | 852 | 1884 | 3756 | 6732 | 6732 | 6732 |
| Total number of bits per sub-frame | 864 | 1728 | 3456 | 7200 | 7200 | 7200 |
| Total symbols per sub-frame | 432 | 864 | 1728 | 3600 | 3600 | 3600 |
| SRS bandwidth configuration (See TS 36.211, 5.5.3) (Note 1) | 7 | 5 | 3 | 2 | 5 | 2 |
| SRS-Bandwidth b (See TS 36.211, 5.5.3) (Note 1, 2) | 0 | 0 | 0 | 0 | 0 | 1 |
| NOTE 1. The transmission of SRS is optional | | | | | | |
| NOTE 2. PUSCH resource blocks shall be included in SRS resource blocks | | | | | | |

A.9 Multi user PUCCH test

Table A.9-1 Test parameters for multi user PUCCH case

| | Resource index for PUCCH formats 1/1a/1b $n_{\text{PUCCH}}^{(1)}$ | Relative power [dB] | Relative timing [ns] |
|--|---|------------------------|-------------------------|
| Tested signal | 2 | - | - |
| Interferer 1 | 1 | 0 | 0 |
| Interferer 2 | 7 | -3 | |
| Interferer 3 | 14 | 3 | |
| NOTE1: The following parameters shall be used $N_{\text{ID}}^{\text{cell}} = 150$, $N_{\text{cs}}^{(1)} = 0$ and $\Delta_{\text{shift}}^{\text{PUCCH}} = 2$. | | | |
| NOTE2: All above listed signals are transmitted on the same PUCCH resource block, with different PUCCH resource indices as presented above. | | | |

Annex B (normative): Propagation conditions

B.1 Static propagation condition

The propagation for the static performance measurement is an Additive White Gaussian Noise (AWGN) environment. No fading or multi-paths exist for this propagation model.

B.2 Multi-path fading propagation conditions

Tables B.2-1 – B.2-3 show multi-path delay profiles that are used for the performance measurements in multi-path fading environment. All taps have classical Doppler spectrum, defined as:

$$(CLASS) \quad S(f) \propto 1/(1 - (f/f_D)^2)^{0.5} \quad \text{for } f \in -f_D, f_D$$

Table B.2-1 Extended Pedestrian A model (EPA)

| Excess tap delay [ns] | Relative power [dB] |
|-----------------------|---------------------|
| 0 | 0.0 |
| 30 | -1.0 |
| 70 | -2.0 |
| 90 | -3.0 |
| 110 | -8.0 |
| 190 | -17.2 |
| 410 | -20.8 |

Table B.2-2 Extended Vehicular A model (EVA)

| Excess tap delay [ns] | Relative power [dB] |
|-----------------------|---------------------|
| 0 | 0.0 |
| 30 | -1.5 |
| 150 | -1.4 |
| 310 | -3.6 |
| 370 | -0.6 |
| 710 | -9.1 |
| 1090 | -7.0 |
| 1730 | -12.0 |
| 2510 | -16.9 |

Table B.2-3 Extended Typical Urban model (ETU)

| Excess tap delay [ns] | Relative power [dB] |
|-----------------------|---------------------|
| 0 | -1.0 |
| 50 | -1.0 |
| 120 | -1.0 |
| 200 | 0.0 |
| 230 | 0.0 |
| 500 | 0.0 |
| 1600 | -3.0 |
| 2300 | -5.0 |
| 5000 | -7.0 |

A multipath fading propagation condition is defined by a combination of a multi-path delay profile and a maximum Doppler frequency f_d which is either 5, 70 or 300 Hz. In addition, 200 Hz Doppler frequency is specified for UL timing adjustment performance requirement.

B.3 High speed train condition

High speed train conditions are as follows:

Scenario 1: Open space

Scenario 3: Tunnel for multi-antennas

The high speed train conditions for the test of the baseband performance are two non-fading propagation channels in both scenarios. For BS with Rx diversity defined in scenario 1, the Doppler shift variation is the same between antennas.

Doppler shift for both scenarios is given by:

$$f_s(t) = f_d \cos \theta(t) \quad (\text{B.3.1})$$

where $f_s(t)$ is the Doppler shift and f_d is the maximum Doppler frequency. The cosine of angle $\theta(t)$ is given by:

$$\cos \theta(t) = \frac{D_s/2 - vt}{\sqrt{D_{\min}^2 + (D_s/2 - vt)^2}}, \quad 0 \leq t \leq D_s/v \quad (\text{B.3.2})$$

$$\cos \theta(t) = \frac{-1.5D_s + vt}{\sqrt{D_{\min}^2 + (-1.5D_s + vt)^2}}, \quad D_s/v < t \leq 2D_s/v \quad (\text{B.3.3})$$

$$\cos \theta(t) = \cos \theta(t \bmod (2D_s/v)), \quad t > 2D_s/v \quad (\text{B.3.4})$$

where $D_s/2$ is the initial distance of the train from BS, and D_{\min} is BS-Railway track distance, both in meters; v is the velocity of the train in m/s, t is time in seconds.

Doppler shift and cosine angle is given by equation B.3.1 and B.3.2-B.3.4 respectively, where the required input parameters listed in table B.3-1 and the resulting Doppler shift shown in Figure B.3-1 and B.3-2 are applied for all frequency bands.

Table B.3-1: Parameters for high speed train conditions

| Parameter | Value | |
|------------|------------|------------|
| | Scenario 1 | Scenario 3 |
| D_s | 1000 m | 300 m |
| D_{\min} | 50 m | 2 m |
| v | 350 km/h | 300 km/h |
| f_d | 1340 Hz | 1150 Hz |

NOTE1: Parameters for HST conditions in table B.3-1 including f_d and Doppler shift trajectories presented on figures B.3-1 and B.3-2 were derived for Band1.

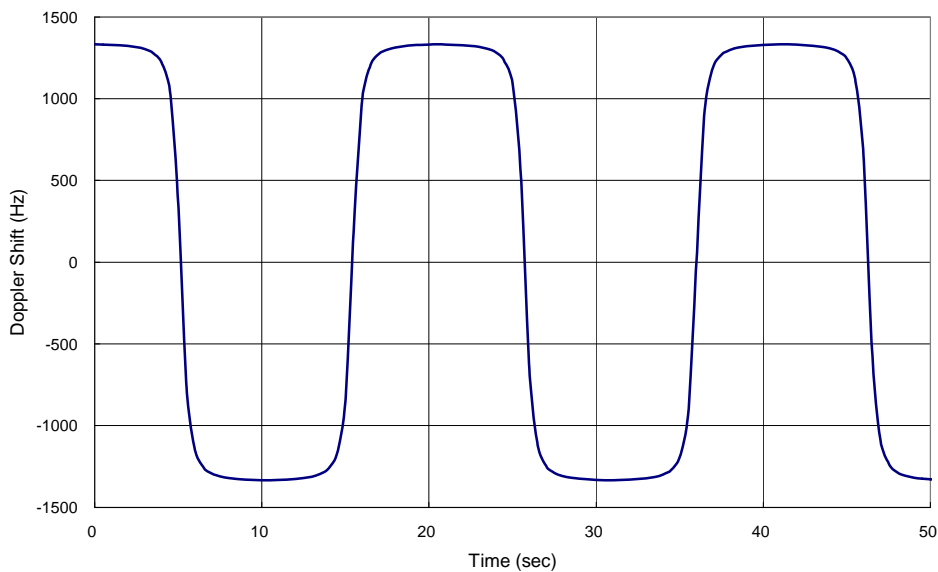


Figure B.3-1: Doppler shift trajectory for scenario 1

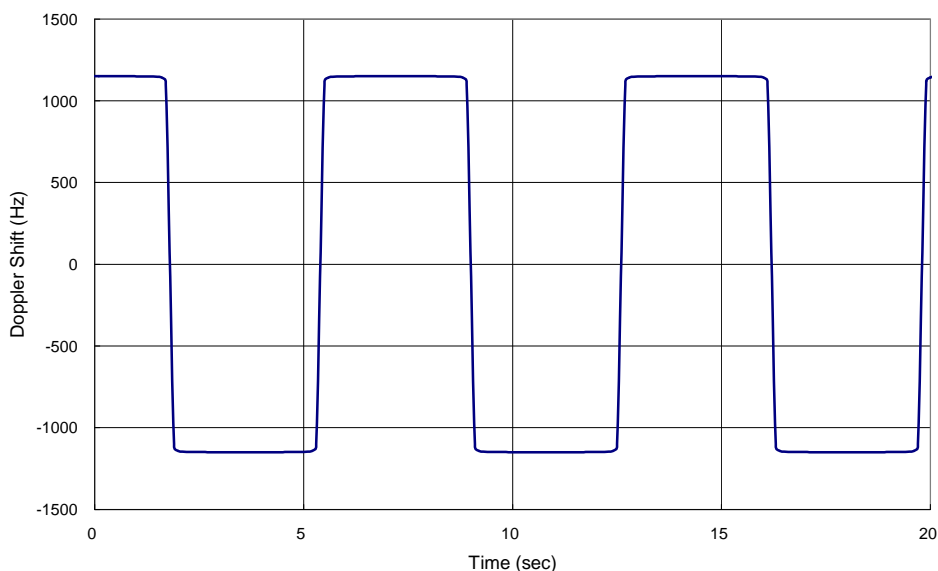


Figure B.3-2: Doppler shift trajectory for scenario 3

B.4 Moving propagation conditions

Figure B.4-1 illustrates the moving propagation conditions for the test of the UL timing adjustment performance. The time difference between the reference timing and the first tap is according Equation (B.4-1). The timing difference between moving UE and stationary UE is equal to $\Delta\tau - (T_A - 31) \times 16T_s$. The relative timing among all taps is fixed. The parameters for the moving propagation conditions are shown in Table B.4-1.

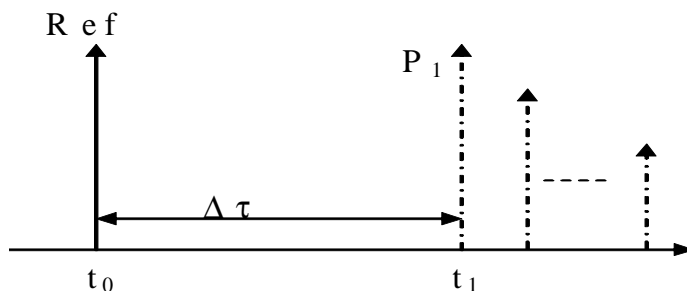


Figure B.4-1: Moving propagation conditions

$$\Delta\tau = \frac{A}{2} \cdot \sin(\Delta\omega \cdot t) \tag{B.4-1}$$

Table B.4-1: Parameters for UL timing adjustment

| Parameter | Scenario 1 | Scenario 2 |
|---------------|--|----------------------|
| Channel model | Stationary UE: AWGN Moving UE: ETU200 | AWGN |
| UE speed | 120 km/h | 350 km/h |
| CP length | Normal | Normal |
| A | 10 μs | 10 μs |
| Δω | 0.04 s ⁻¹ | 0.13 s ⁻¹ |

NOTE 1: Multipath fading propagation conditions for Scenario 1 were derived for Band 1 with additional rounding applied to the Doppler frequency calculated for the specified UE speed.

NOTE 2: In Scenario 2, Doppler shift is not taken into account.

Annex C (normative): Characteristics of the interfering signals

The interfering signal shall be a PUSCH containing data and reference symbols. Normal cyclic prefix is used. The data content shall be uncorrelated to the wanted signal and modulated according to clause 5 of TS36.211. Mapping of PUSCH modulation to receiver requirement are specified in table C-1.1.

Table C-1: Modulation of the interfering signal

| Receiver requirement | Modulation |
|---|-------------------|
| In-channel selectivity | 16QAM |
| Adjacent channel selectivity and narrow-band blocking | QPSK |
| Blocking | QPSK |
| Receiver intermodulation | QPSK |

Annex D (normative): Environmental requirements for the BS equipment

The BS equipment shall fulfil all the requirements in the full range of environmental conditions for the relevant environmental class from the relevant IEC specifications listed below

60 721-3-3 "Stationary use at weather protected locations" [13]

60 721-3-4 "Stationary use at non weather protected locations" [14]

Normally it should be sufficient for all tests to be conducted using normal test conditions except where otherwise stated. For guidance on the use of test conditions to be used in order to show compliance refer to TS 36.141.

Annex E (normative): Error Vector Magnitude

E.1 Reference point for measurement

The EVM shall be measured at the point after the FFT and a zero-forcing (ZF) equalizer in the receiver, as depicted in Figure E.1-1 below.

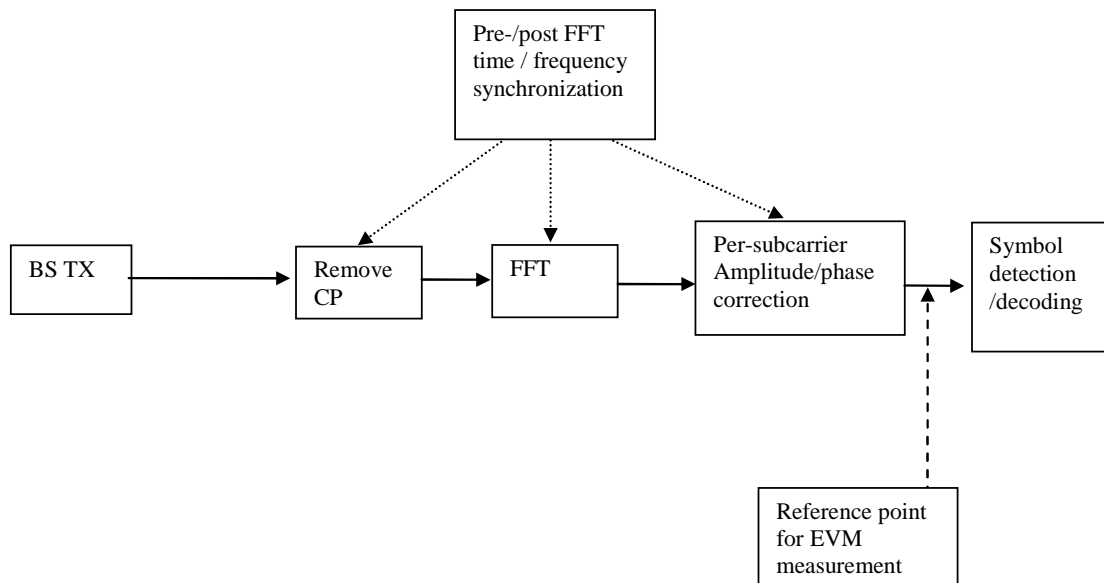


Figure E.1-1: Reference point for EVM measurement

E.2 Basic unit of measurement

The basic unit of EVM measurement is defined over one subframe (1ms) in the time domain and N_{BW}^{RB} subcarriers (180kHz) in the frequency domain:

$$EVM = \sqrt{\frac{\sum_{t \in T} \sum_{f \in F(t)} |Z'(t, f) - I(t, f)|^2}{\sum_{t \in T} \sum_{f \in F(t)} |I(t, f)|^2}}$$

where

T is the set of symbols with the considered modulation scheme being active within the subframe,

$F(t)$ is the set of subcarriers within the N_{BW}^{RB} subcarriers with the considered modulation scheme being active in symbol t ,

$I(t, f)$ is the ideal signal reconstructed by the measurement equipment in accordance with relevant Tx models,

$Z'(t, f)$ is the modified signal under test defined in E.3.

Note: Although the basic unit of measurement is one subframe, the equalizer is calculated over 10 subframe measurement periods to reduce the impact of noise in the reference symbols. The boundaries of the 10 subframe measurement periods need not be aligned with radio frame boundaries.

E.3 Modified signal under test

Implicit in the definition of EVM is an assumption that the receiver is able to compensate a number of transmitter impairments. The signal under test is equalised and decoded according to:

$$Z'(t, f) = \frac{FFT\{z(v - \Delta\tilde{t}) \cdot e^{-j2\pi\Delta\tilde{f}v}\} e^{j2\pi f\Delta\tilde{t}}}{\tilde{a}(f) \cdot e^{j\tilde{\varphi}(f)}}$$

where

$z(v)$ is the time domain samples of the signal under test.

$\Delta\tilde{t}$ is the sample timing difference between the FFT processing window in relation to nominal timing of the ideal signal. Note that two timing offsets are determined, the corresponding EVM is measured and the maximum used as described in E.7.

$\Delta\tilde{f}$ is the RF frequency offset.

$\tilde{\varphi}(f)$ is the phase response of the TX chain.

$\tilde{a}(f)$ is the amplitude response of the TX chain.

E.4 Estimation of frequency offset

The observation period for determining the frequency offset $\Delta\tilde{f}$ shall be 1 ms.

E.5 Estimation of time offset

The observation period for determining the sample timing difference $\Delta\tilde{t}$ shall be 1 ms.

In the following $\Delta\tilde{c}$ represents the middle sample of the EVM window of length W (defined in E.5.1) or the last sample of the first window half if W is even.

$\Delta\tilde{c}$ is estimated so that the EVM window of length W is centred on the measured cyclic prefix of the considered OFDM symbol. To minimize the estimation error the timing shall be based on the primary synchronization signal and reference signals. To limit time distortion of any transmit filter the reference signals in the 1 outer RBs are not taken into account in the timing estimation

Two values for $\Delta\tilde{t}$ are determined:

$$\Delta\tilde{t}_l = \Delta\tilde{c} + \alpha - \left\lfloor \frac{W}{2} \right\rfloor \text{ and}$$

$$\Delta\tilde{t}_h = \Delta\tilde{c} + \left\lfloor \frac{W}{2} \right\rfloor \text{ where } \alpha = 0 \text{ if } W \text{ is odd and } \alpha = 1 \text{ if } W \text{ is even.}$$

When the cyclic prefix length varies from symbol to symbol (e.g. time multiplexed MBMS and unicast) then T shall be further restricted to the subset of symbols with the considered modulation scheme being active and with the considered cyclic prefix length type.

E.5.1 Window length

Table E.5.1-1 below specifies EVM window length (W) for normal CP, the cyclic prefix length N_{cp} is 160 for symbols 0 and 144 for symbols 1-6.

Table E.5.1-2 specifies the EVM window length (W) for extended CP, the cyclic prefix length N_{cp} is 512.

Table E.5.1-1 EVM window length for normal CP

| Channel Bandwidth MHz | FFT size | | Cyclic prefix length for symbols 0 in FFT samples | Cyclic prefix length for symbols 1-6 in FFT samples | EVM window length W | Ratio of W to total CP for symbols 1-6* [%] |
|-----------------------|----------|--|---|---|-----------------------|---|
| 1.4 | 128 | | 10 | 9 | 5 | 55.6 |
| 3 | 256 | | 20 | 18 | 12 | 66.7 |
| 5 | 512 | | 40 | 36 | 32 | 88.9 |
| 10 | 1024 | | 80 | 72 | 66 | 91.7 |
| 15 | 1536 | | 120 | 108 | 102 | 94.4 |
| 20 | 2048 | | 160 | 144 | 136 | 94.4 |

* Note: These percentages are informative and apply to symbols 1 through 6. Symbol 0 has a longer CP and therefore a lower percentage.

Table E.5.1-2 EVM window length for extended CP

| Channel Bandwidth [MHz] | FFT size | Cyclic prefix in FFT samples | EVM window length W | Ratio of W to total CP* [%] |
|-------------------------|----------|------------------------------|-----------------------|-------------------------------|
| 1.4 | 128 | 32 | 28 | 87.5 |
| 3 | 256 | 64 | 58 | 90.6 |
| 5 | 512 | 128 | 124 | 96.9 |
| 10 | 1024 | 256 | 250 | 97.7 |
| 15 | 1536 | 384 | 378 | 98.4 |
| 20 | 2048 | 512 | 504 | 98.4 |

* Note: These percentages are informative.

E.6 Estimation of TX chain amplitude and frequency response parameters

The equalizer coefficients $\tilde{a}(f)$ and $\tilde{\varphi}(f)$ are determined as follows:

1. Calculate the complex ratios (amplitude and phase) of the post-FFT acquired signal $Z'(t, f)$ and the post-FFT Ideal signal $I_2(t, f)$, for each reference symbol, over 10 subframes. This process creates a set of complex ratios:

$$a(t, f).e^{j\varphi(t, f)} = \frac{Z'(t, f)}{I_2(t, f)}$$

Where the post-FFT Ideal signal $I_2(t, f)$ is constructed by the measuring equipment according to the relevant TX specifications, using the following parameters: restricted content i.e. nominal Reference Symbols and the Primary

Synchronisation Channel, (all other modulation symbols are set to 0 V), nominal carrier frequency, nominal amplitude and phase for each applicable subcarrier, nominal timing.

2. Perform time averaging at each reference signal subcarrier of the complex ratios, the time-averaging length is 10 subframes. Prior to the averaging of the phases $\varphi(t_i, f)$ an unwrap operation must be performed according to the following definition: The unwrap operation corrects the radian phase angles of $\varphi(t_i, f)$ by adding multiples of 2π when absolute phase jumps between consecutive time instances t_i are greater than or equal to the jump tolerance of π radians. This process creates an average amplitude and phase for each reference signal subcarrier (i.e. every third subcarrier with the exception of the reference subcarrier spacing across the DC subcarrier).

$$a(f) = \frac{\sum_{i=1}^N a(t_i, f)}{N}$$

$$\varphi(f) = \frac{\sum_{i=1}^N \varphi(t_i, f)}{N}$$

Where N is the number of reference symbol time-domain locations t_i from $Z'(f,t)$ for each reference signal subcarrier f .

3. The equalizer coefficients for amplitude and phase $\hat{a}(f)$ and $\hat{\varphi}(f)$ at the reference signal subcarriers are obtained by computing the moving average in the frequency domain of the time-averaged reference signal subcarriers, i.e. every third subcarrier. The moving average window size is 19. For reference subcarriers at or near the edge of the channel the window size is reduced accordingly as per figure E.6-1.
4. Perform linear interpolation from the equalizer coefficients $\hat{a}(f)$ and $\hat{\varphi}(f)$ to compute coefficients $\tilde{a}(f)$, $\tilde{\varphi}(f)$ for each subcarrier.

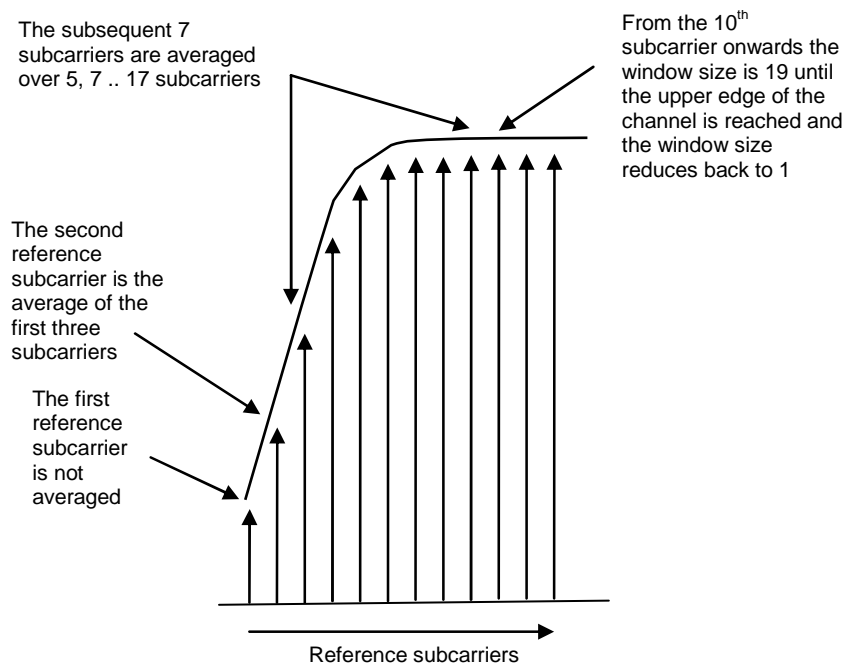


Figure E.6-1: Reference subcarrier smoothing in the frequency domain

E.7 Averaged EVM

EVM is averaged over all allocated downlink resource blocks with the considered modulation scheme in the frequency domain, and a minimum of 10 downlink subframes:

For FDD the averaging in the time domain equals the 10 subframe duration of the 10 subframes measurement period from the equalizer estimation step.

For TDD the averaging in the time domain can be calculated from subframes of different frames and should have a minimum of 10 subframes averaging length. TDD special fields (DwPTS and GP) are not included in the averaging.

$$\overline{EVM}_{frame} = \sqrt{\frac{1}{\sum_{i=1}^{N_{dl}} N_i} \sum_{i=1}^{N_{dl}} \sum_{j=1}^{N_i} EVM_{i,j}^2}$$

Where N_i is the number of resource blocks with the considered modulation scheme in subframe i and N_{dl} is the number of allocated downlink subframes in one frame.

The EVM requirements shall be tested against the maximum of the RMS average at the window W extremities of the EVM measurements:

Thus $\overline{EVM}_{frame,1}$ is calculated using $\Delta\tilde{t} = \Delta\tilde{t}_l$ in the expressions above and $\overline{EVM}_{frame,h}$ is calculated using $\Delta\tilde{t} = \Delta\tilde{t}_h$ in the \overline{EVM}_{frame} calculation.

Thus we get:

$$EVM_{frame} = \max(\overline{EVM}_{frame,1}, \overline{EVM}_{frame,h})$$

The averaged EVM with the minimum averaging length of at least 10 subframes is then achieved by further averaging of the EVM_{frame} results

$$\overline{EVM} = \sqrt{\frac{1}{N_{frame}} \sum_{k=1}^{N_{frame}} EVM_{frame,k}^2}, \quad N_{frame} = \left\lceil \frac{10}{N_{dl}} \right\rceil$$

Annex F (Informative): Unwanted emission requirements for multi-carrier BS

F.1 General

In subclause 6.6, unwanted emission requirements for single carrier or multi-carrier BS are specified. This multi-carrier BS corresponds to a multi-carrier BS of the same channel bandwidth for E-UTRA. The following two pragmatic scenarios are considered in this annex:

- multi-carrier BS of different E-UTRA channel bandwidths, covering only 5 MHz and higher channel bandwidths
- multi-carrier BS of E-UTRA and UTRA, covering only 5 MHz and higher E-UTRA channel bandwidths.

All scenarios for channel bandwidths less than 5 MHz are for further study. The guidelines below assumes that the power spectral density of the multiple carriers is the same. All other combinations of multiple carriers are ffs.

Note 1: Further information and analysis for these scenarios can be found in TR 36.942 [9].

F.2 Multi-carrier BS of different E-UTRA channel bandwidths

For a multi-carrier E-UTRA BS transmitting a group of carriers of different channel bandwidths (≥ 5 MHz), the channel bandwidth of the outermost carriers should be considered for ACLR and Operating band unwanted emission requirements. That is, the corresponding requirements for the channel bandwidth of each of the outermost carriers should be applied at the respective side of the group of transmitted carriers.

F.3 Multi-carrier BS of E-UTRA and UTRA

For a multi-carrier BS transmitting a group of carriers of E-UTRA and UTRA (channel bandwidth(s) ≥ 5 MHz), the RAT being used on the outermost carriers should be considered for ACLR and Operating band unwanted emission requirements. That is, the corresponding requirements for the RAT being used on each of the outermost carriers should be applied at the respective side of the group of transmitted carriers.

Annex G (informative): Regional requirement for protection of DTT

The European Communications Committee (ECC) has adopted the “ECC Decision on harmonised conditions for Mobile/Fixed Communications Networks operating in the band 790-862 MHz” [12] applicable for BS operating in band 20. The decision defines a requirement for “Out-of-block BEM baseline requirements for ‘mobile/fixed communications network’ (MFCN) base stations within the spectrum allocated to the broadcasting (DTT) service”, where three different cases A, B, and C for protecting broadcasting DTT are defined. These cases can be applied on a per-channel and/or per-region basis, i.e. for the same channel different cases can be applied in different geographic areas (e.g. area related to DTT coverage) and different cases can be applied to different channels in the same geographic area.

For band 20, compliance with the regulatory requirements in Europe referenced above can be assessed based on the manufacturer’s declaration of $P_{EM,N}$ specified in subclause 6.6.3.3, together with the deployment characteristics. Maximum output Power in 10 MHz (P_{10MHz}) is also declared by the manufacturer. The parameters G_{ant} and N_{ant} are deployment specific parameters related to the deployment of the BS, where G_{ant} is the antenna gain and N_{ant} is the number of antennas.

For each channel (N) the EIRP level is calculated using: $P_{EIRP,N} = P_{EM,N} + G_{ant} + 10 \cdot \log(N_{ant})$. The regulatory requirement in [12] limits the EIRP level to the Maximum level in Table G-1 for the protection case(s) defined in the regulation.

Table G-1: EIRP limits for protection of broadcasting (DTT) service

| Case | Measurement filter centre frequency | Condition on BS maximum aggregate EIRP / 10 MHz, P_{EIRP_10MHz} (Note) | Maximum Level $P_{EIRP,N,MAX}$ | Measurement Bandwidth |
|--|--|---|--------------------------------|-----------------------|
| A: for DTT frequencies where broadcasting is protected | $N \cdot 8 + 306$ MHz, $21 \leq N \leq 60$ | $P_{EIRP_10MHz} \geq 59$ dBm | 0 dBm | 8 MHz |
| | $N \cdot 8 + 306$ MHz, $21 \leq N \leq 60$ | $36 \leq P_{EIRP_10MHz} < 59$ dBm | $P_{EIRP_10MHz} - 59$ dBm | 8 MHz |
| | $N \cdot 8 + 306$ MHz, $21 \leq N \leq 60$ | $P_{EIRP_10MHz} < 36$ dBm | -23 dBm | 8 MHz |
| B: for DTT frequencies where broadcasting is subject to an intermediate level of protection | $N \cdot 8 + 306$ MHz, $21 \leq N \leq 60$ | $P_{EIRP_10MHz} \geq 59$ dBm | 10 dBm | 8 MHz |
| | $N \cdot 8 + 306$ MHz, $21 \leq N \leq 60$ | $36 \leq P_{EIRP_10MHz} < 59$ dBm | $P_{EIRP_10MHz} - 49$ dBm | 8 MHz |
| | $N \cdot 8 + 306$ MHz, $21 \leq N \leq 60$ | $P_{EIRP_10MHz} < 36$ dBm | -13 dBm | 8 MHz |
| C: for DTT frequencies where broadcasting is not protected | $N \cdot 8 + 306$ MHz, $21 \leq N \leq 60$ | N.A. | 22 dBm | 8 MHz |
| NOTE: P_{EIRP_10MHz} (dBm) is defined by the expression $P_{EIRP_10MHz} = P_{10MHz} + G_{ant} + 10 \cdot \log_{10}(N_{ant})$ | | | | |

Annex H (informative): Change history

| Change history | | | | | | | |
|----------------|-------------|-----------|----|-----|---|-------|-------|
| Date | TSG # | TSG Doc. | CR | Rev | Subject/Comment | Old | New |
| 2007-08 | RAN4 #44 | R4-071465 | | | TS skeleton created from 3GPP TS template. | | 0.0.1 |
| 2007-10 | RAN4 #44bis | R4-071709 | | | Agreed TP in RAN4#44: R4-071466 , "TP Common definitions for TS 36.104" | 0.0.1 | 0.0.2 |
| 2007-10 | RAN4 #44bis | R4-071782 | | | Agreed TP in RAN4#44bis: R4-071681 , "TP 36.104: General (6.1)". R4-071740 , "E-UTRA FDD BS general receiver requirements". | 0.0.2 | 0.1.0 |
| 2007-11 | RAN4 #45 | R4-072157 | | | Agreed TP in RAN4#45: R4-071854 , "E-UTRA FDD BS Reference sensitivity level" R4-071858 , "E-UTRA FDD BS Receiver intermodulation" R4-071859 , "E-UTRA FDD BS Fixed Reference Channels" R4-071860 , "E-UTRA FDD BS In-channel selectivity" R4-071964 , "TS 36.104: TP for Unwanted emissions (6.6)" R4-071968 , "TS 36.104: TP for Tx Intermodulation (6.7)" R4-071969 , "TS 36.104: TP for Rx spurious emissions (7.6)" R4-072123 , "TS 36.104: TP for General (4)" R4-072124 , "TS 36.104: TP for Operating band unwanted emissions (6.6.3)" R4-072126 , "E-UTRA FDD BS Dynamic range" R4-072127 , "E-UTRA FDD BS Adjacent channel selectivity and narrow band blocking" R4-072128 , "TS 36.104: TP for Propagation conditions for BS (Annex B)" R4-072130 , "E-UTRA FDD BS Blocking" R4-072155 , "TS 36.104: TP for Occupied bandwidth (6.6.1)" R4-072162 , "TP to 36.104 on performance requirements" R4-072177 , "TS 36.104: TP for Frequency bands and channel arrangement (5)" R4-072185 , "TS 36.104: TP for ACLR (6.6.2)" R4-072205 , "TS 36.104: TP for Transmitter spurious emissions (6.6.4)" | 0.1.0 | 0.2.0 |
| 2007-11 | RAN# 38 | RP-070975 | | | Presentation to TSG | 0.2.0 | 1.0.0 |
| 2007-11 | | | | | Approved version at TSG RAN #38 | 1.0.0 | 8.0.0 |
| 2008-03 | RAN# 39 | RP-080123 | 3 | 2 | Combined updates of E-UTRA BS RF requirements | 8.0.0 | 8.1.0 |
| 2008-05 | RAN# 40 | RP-080325 | 4 | | Updates of E-UTRA BS requirements | 8.1.0 | 8.2.0 |
| 2008-09 | RAN# 41 | RP-080640 | 7 | 2 | LTE BS ON-OFF Mask | 8.2.0 | 8.3.0 |
| 2008-09 | RAN# 41 | RP-080640 | 8 | | Removal of brackets for LTE BS RF requirements | 8.2.0 | 8.3.0 |
| 2008-09 | RAN# 41 | RP-080640 | 14 | 1 | Unwanted emission requirements for multi-carrier BS | 8.2.0 | 8.3.0 |
| 2008-09 | RAN# 41 | RP-080640 | 15 | 2 | Clarification of emission requirements for co-existence | 8.2.0 | 8.3.0 |
| 2008-09 | RAN# 41 | RP-080640 | 17 | 1 | eNB performance requirements for UL timing adjustment | 8.2.0 | 8.3.0 |
| 2008-09 | RAN# 41 | RP-080640 | 18 | | eNodeB performance requirements for PUCCH format 2 | 8.2.0 | 8.3.0 |
| 2008-09 | RAN# 41 | RP-080640 | 21 | | eNB performance requirements for high speed train | 8.2.0 | 8.3.0 |
| 2008-09 | RAN# 41 | RP-080640 | 23 | | Additional band 17 | 8.2.0 | 8.3.0 |
| 2008-09 | RAN# 41 | RP-080641 | 5 | 2 | Updates of Fixed Reference Channels | 8.2.0 | 8.3.0 |
| 2008-09 | RAN# 41 | RP-080641 | 9 | | Removal of brackets and notes related to test requirements | 8.2.0 | 8.3.0 |
| 2008-09 | RAN# 41 | RP-080641 | 10 | | High Speed Train scenarios modification | 8.2.0 | 8.3.0 |
| 2008-09 | RAN# 41 | RP-080641 | 12 | | Several modifications for TS36.104 | 8.2.0 | 8.3.0 |
| 2008-09 | RAN# 41 | RP-080641 | 13 | | Removal of notes on frequency offset | 8.2.0 | 8.3.0 |

| | | | | | | | |
|---------|---------|-----------|----|---|--|-------|-------|
| 2008-09 | RAN# 41 | RP-080641 | 16 | 1 | LTE Abbreviations update | 8.2.0 | 8.3.0 |
| 2008-09 | RAN# 41 | RP-080641 | 19 | 1 | eNodeB performance requirements for PUSCH and RF requirements | 8.2.0 | 8.3.0 |
| 2008-09 | RAN# 41 | RP-080641 | 20 | | Clarification on High Speed train model in 36.104 | 8.2.0 | 8.3.0 |
| 2008-09 | RAN# 41 | RP-080641 | 22 | 1 | Clarification of ACLR for multi-carrier E-UTRA BS | 8.2.0 | 8.3.0 |
| 2008-12 | RAN# 42 | RP-080914 | 37 | 1 | Editorial updates of TS 36.104 | 8.3.0 | 8.4.0 |
| 2008-12 | RAN# 42 | RP-080915 | 30 | | Correction to the figure with the transmission bandwidth configuration | 8.3.0 | 8.4.0 |
| 2008-12 | RAN# 42 | RP-080916 | 77 | | Modification to EARFCN | 8.3.0 | 8.4.0 |
| 2008-12 | RAN# 42 | RP-080917 | 38 | 1 | Alignment of clause 5 betweeb E-UTRA specs | 8.3.0 | 8.4.0 |
| 2008-12 | RAN# 42 | RP-080918 | 26 | | Correction of output power dynamics requirement | 8.3.0 | 8.4.0 |
| 2008-12 | RAN# 42 | RP-080918 | 27 | | LTE BS ON-OFF Mask | 8.3.0 | 8.4.0 |
| 2008-12 | RAN# 42 | RP-080918 | 28 | | Correction to RE power control dynamic range | 8.3.0 | 8.4.0 |
| 2008-12 | RAN# 42 | RP-080919 | 29 | 1 | BS RF requirements for Band 17 | 8.3.0 | 8.4.0 |
| 2008-12 | RAN# 42 | RP-080920 | 41 | | Update of total dynamic range limits | 8.3.0 | 8.4.0 |
| 2008-12 | RAN# 42 | RP-080921 | 39 | 1 | Update of TDD-FDD coexistence requirements | 8.3.0 | 8.4.0 |
| 2008-12 | RAN# 42 | RP-080922 | 33 | 1 | eNB performance requirements for Multi User PUCCH | 8.3.0 | 8.4.0 |
| 2008-12 | RAN# 42 | RP-080922 | 42 | | PRACH demodulation requirements update | 8.3.0 | 8.4.0 |
| 2008-12 | RAN# 42 | RP-080922 | 25 | 1 | Updates of Fized Reference Channels and requirements for UL timing adjustment and PUCCH format 2 | 8.3.0 | 8.4.0 |
| 2008-12 | RAN# 42 | RP-080922 | 44 | | eNB performance requirements for HARQ-ACK multiplexed on PUSCH | 8.3.0 | 8.4.0 |
| 2008-12 | RAN# 42 | RP-080923 | 43 | | General updates to Clause 8 and appendix A | 8.3.0 | 8.4.0 |
| 2008-12 | RAN# 42 | RP-080925 | 24 | | LTE TDD Update for Annex E of 36.104 | 8.3.0 | 8.4.0 |
| 2008-12 | RAN# 42 | RP-080927 | 32 | 1 | Clarification of eNB HST propagation conditions | 8.3.0 | 8.4.0 |
| 2008-12 | RAN# 42 | RP-080927 | 31 | | Corrections of eNB performance requirements for high speed train | 8.3.0 | 8.4.0 |
| 2009-03 | RAN# 43 | RP-090173 | 53 | 1 | Clarification of EARFCN | 8.4.0 | 8.5.0 |
| 2009-03 | RAN# 43 | RP-090175 | 60 | 1 | Regional requirement on maximum rated power for Band 34 | 8.4.0 | 8.5.0 |
| 2009-03 | RAN# 43 | RP-090176 | 45 | | Correction to additional requirements for operating band unwanted emissions | 8.4.0 | 8.5.0 |
| 2009-03 | RAN# 43 | RP-090176 | 48 | | Clarification of PHS band including the future plan | 8.4.0 | 8.5.0 |
| 2009-03 | RAN# 43 | RP-090176 | 49 | | Unsynchronized TDD coexistence requirements | 8.4.0 | 8.5.0 |
| 2009-03 | RAN# 43 | RP-090176 | 54 | | eNB transmitter transient period | 8.4.0 | 8.5.0 |
| 2009-03 | RAN# 43 | RP-090176 | 56 | 1 | eNB ACS frequency offset | 8.4.0 | 8.5.0 |
| 2009-03 | RAN# 43 | RP-090176 | 57 | | Correction to unwanted emission limit for 3MHz(E-UTRA bands < 1GHz) for Category A | 8.4.0 | 8.5.0 |
| 2009-03 | RAN# 43 | RP-090177 | 46 | | Modifications on UL timing adjustment test case | 8.4.0 | 8.5.0 |
| 2009-03 | RAN# 43 | RP-090177 | 47 | 1 | Modifications on PUSCH high speed train test case | 8.4.0 | 8.5.0 |
| 2009-03 | RAN# 43 | RP-090177 | 50 | | Clarification on PUCCH ACK/NAK repetitions for BS performance tests | 8.4.0 | 8.5.0 |
| 2009-03 | RAN# 43 | RP-090177 | 52 | | PUSCH ACK/NAK simulation assumptions finalization for simulations with implementation margins | 8.4.0 | 8.5.0 |
| 2009-03 | RAN# 43 | RP-090177 | 59 | | HARQ-ACK multiplexed on PUSCH performance requirement results | 8.4.0 | 8.5.0 |
| 2009-05 | RAN# 44 | RP-090544 | 63 | | Clarification of requirements for multicarrier BS. (Technically Endorsed CR in R4-50bis - R4-091375) | 8.5.0 | 8.6.0 |
| 2009-05 | RAN# 44 | RP-090545 | 62 | | CR ACS frequency offset. (Technically Endorsed CR in R4-50bis - R4-091329) | 8.5.0 | 8.6.0 |

| | | | | | | | |
|---------|---------|-----------|-----|---|---|-------|-------|
| 2009-05 | RAN #44 | RP-090545 | 67 | | Correction to DL RS power | 8.5.0 | 8.6.0 |
| 2009-05 | RAN #44 | RP-090545 | 69 | | Correction to Receiver Dynamic Range minimum requirements | 8.5.0 | 8.6.0 |
| 2009-05 | RAN #44 | RP-090545 | 64 | | UL timing adjustment performance requirement clarifications. (Technically Endorsed CR in R4-50bis - R4-091437) | 8.5.0 | 8.6.0 |
| 2009-05 | RAN #44 | RP-090559 | 61 | | Introduction of Extended LTE800 requirements. (Technically Endorsed CR in R4-50bis - R4-091060) | 8.6.0 | 9.0.0 |
| 2009-09 | RAN #45 | RP-090953 | 71 | | Clarification of the UL timing adjustment performance determination | 9.0.0 | 9.1.0 |
| 2009-09 | RAN #45 | RP-090953 | 73 | | Corrections to E-UTRA Rx requirements | 9.0.0 | 9.1.0 |
| 2009-09 | RAN #45 | RP-090953 | 78 | | Clarifications on testing UL timing adjustment requirements | 9.0.0 | 9.1.0 |
| 2009-09 | RAN #45 | RP-090953 | 90 | | Correction on Table A.3-1 FRC parameters for performance requirements (QPSK 1/3) of Annex 3 | 9.0.0 | 9.1.0 |
| 2009-09 | RAN #45 | RP-090954 | 86 | 2 | LTE operating band unwanted emissions revision | 9.0.0 | 9.1.0 |
| 2009-09 | RAN #45 | RP-090826 | 74 | | Correction of spurious emission requirements for LTE800 | 9.0.0 | 9.1.0 |
| 2009-12 | RP-46 | RP-091286 | 093 | | Introduction of Extended LTE1500 requirements for TS36.104 (Technically endorsed at RAN 4 52bis in R4-093633) | 9.1.0 | 9.2.0 |
| 2009-12 | RP-46 | RP-091265 | 095 | | Correction to ICS requirement (Technically endorsed at RAN 4 52bis in R4-093639) | 9.1.0 | 9.2.0 |
| 2009-12 | RP-46 | RP-091265 | 097 | | CR eNB FDD EVM (Technically endorsed at RAN 4 52bis in R4-093713) | 9.1.0 | 9.2.0 |
| 2009-12 | RP-46 | RP-091265 | 099 | | Correction on terminology for noise bandwidth (Technically endorsed at RAN 4 52bis in R4-093740) | 9.1.0 | 9.2.0 |
| 2009-12 | RP-46 | RP-091266 | 101 | | LTE operating band unwanted emissions correction (Technically endorsed at RAN 4 52bis in R4-093801) | 9.1.0 | 9.2.0 |
| 2009-12 | RP-46 | RP-091266 | 103 | | Multi-path fading propagation conditions reference correction (Technically endorsed at RAN 4 52bis in R4-093927) | 9.1.0 | 9.2.0 |
| 2009-12 | RP-46 | RP-091266 | 105 | | Clarification on Spurious emissions limits for BS co-existed with another BS (Technically endorsed at RAN 4 52bis in R4-094011) | 9.1.0 | 9.2.0 |
| 2009-12 | RP-46 | RP-091266 | 106 | | Correction to the transmitter intermodulation (Technically endorsed at RAN 4 52bis in R4-094084) | 9.1.0 | 9.2.0 |
| 2009-12 | RP-46 | RP-091270 | 109 | 1 | Clarification on PRACH False alarm probability | 9.1.0 | 9.2.0 |
| 2009-12 | RP-46 | RP-091295 | 110 | 1 | E-UTRA BS classification | 9.1.0 | 9.2.0 |
| 2009-12 | RP-46 | RP-091295 | 111 | 1 | Home eNode B maximum output power | 9.1.0 | 9.2.0 |
| 2009-12 | RP-46 | RP-091295 | 112 | 1 | Home eNode B in-channel selectivity requirement | 9.1.0 | 9.2.0 |
| 2009-12 | RP-46 | RP-091295 | 113 | 1 | Home eNode B receiver intermodulation requirement | 9.1.0 | 9.2.0 |
| 2009-12 | RP-46 | RP-091293 | 114 | 2 | Demodulation requirements of Pico NodeB | 9.1.0 | 9.2.0 |
| 2009-12 | RP-46 | RP-091269 | 116 | | UL Timing Adjustment test clarifications | 9.1.0 | 9.2.0 |
| 2009-12 | RP-46 | RP-091265 | 118 | | Corrections on frequency range of unwanted emissions requirements | 9.1.0 | 9.2.0 |
| 2009-12 | RP-46 | RP-091276 | 122 | | Testing in case of Rx diversity, Tx diversity and MIMO | 9.1.0 | 9.2.0 |
| 2009-12 | RP-46 | RP-091265 | 124 | | Table reference correction | 9.1.0 | 9.2.0 |
| 2009-12 | RP-46 | RP-091295 | 125 | 1 | Home eNode B ACLR requirement | 9.1.0 | 9.2.0 |
| 2009-12 | RP-46 | RP-091295 | 126 | 1 | Home eNode B ACS and narrow band blocking requirement | 9.1.0 | 9.2.0 |
| 2009-12 | RP-46 | RP-091295 | 127 | 1 | Home eNode B Blocking requirement | 9.1.0 | 9.2.0 |
| 2009-12 | RP-46 | RP-091294 | 128 | 1 | Home eNode B dynamic range requirement | 9.1.0 | 9.2.0 |
| 2009-12 | RP-46 | RP-091294 | 129 | 1 | Home eNode B frequency error requirement | 9.1.0 | 9.2.0 |
| 2009-12 | RP-46 | RP-091294 | 130 | 2 | Home eNode B performance requirement | 9.1.0 | 9.2.0 |
| 2009-12 | RP-46 | RP-091294 | 131 | 1 | Home eNode B operating band unwanted emissions requirement | 9.1.0 | 9.2.0 |
| 2009-12 | RP-46 | RP-091294 | 132 | 1 | Home eNode B reference sensitivity level requirement | 9.1.0 | 9.2.0 |
| 2009-12 | RP-46 | RP-091294 | 133 | 2 | Home eNode B spurious emission requirement | 9.1.0 | 9.2.0 |
| 2009-12 | RP-46 | RP-091284 | 135 | 1 | Inclusion of Band 20 BS RF parameters | 9.1.0 | 9.2.0 |
| 2009-12 | RP-46 | RP-091265 | 139 | | Corrections on blocking performance requirement for Band 17 | 9.1.0 | 9.2.0 |
| 2009-12 | RP-46 | RP-091294 | 140 | | CR-Protection of Adjacent Channels Owned by Other Operators | 9.1.0 | 9.2.0 |
| 2009-12 | RP-46 | RP-091293 | 141 | | Introduction of LTE Pico NodeB class | 9.1.0 | 9.2.0 |
| 2010-03 | RP-47 | RP-100252 | 155 | | Correction of the frequency range for unwanted emissions limits (cat-B/option 2/BW 3MHz) | 9.2.0 | 9.3.0 |
| 2010-03 | RP-47 | RP-100252 | 152 | | Correction of Band 4 and 10 co-existence requirement | 9.2.0 | 9.3.0 |
| 2010-03 | RP-47 | RP-100262 | 160 | | Adding missing references | 9.2.0 | 9.3.0 |
| 2010-03 | RP-47 | RP-100275 | 145 | 1 | Corrections of operating band unwanted emissions for Local Area BS | 9.2.0 | 9.3.0 |
| 2010-03 | RP-47 | RP-100275 | 146 | 1 | Editorial correction in TS36.104 for Pico NodeB | 9.2.0 | 9.3.0 |
| 2010-03 | RP-47 | RP-100263 | 153 | | Correction of DTT protection requirement | 9.2.0 | 9.3.0 |
| 2010-03 | RP-47 | RP-100266 | 144 | | Corrections of operating band unwanted emissions for Home BS | 9.2.0 | 9.3.0 |

| | | | | | | | |
|---------|-------|-----------|----------|---|--|-------|--------|
| 2010-03 | RP-47 | RP-100266 | 156 | | Corrections on Home BS operating band unwanted emission limits | 9.2.0 | 9.3.0 |
| 2010-03 | RP-47 | RP-100266 | 147 | | Corrections of additional spurious emissions and blocking requirements for HeNB | 9.2.0 | 9.3.0 |
| 2010-03 | RP-47 | RP-100266 | 150 | | Corrections on Home BS Output Power for Adjacent Channel Protection | 9.2.0 | 9.3.0 |
| 2010-03 | RP-47 | RP-100274 | 157 | | Requirements for HARQ-ACK multiplexed on PUSCH for E-UTRA LA and Home BS | 9.2.0 | 9.3.0 |
| 2010-03 | RP-47 | RP-100274 | 158 | | CQI missed detection requirements for PUCCH format 2 for E-UTRA LA and Home BS | 9.2.0 | 9.3.0 |
| 2010-03 | RP-47 | RP-100274 | 149 | 1 | Corrections to the receiver intermodulation requirements | 9.2.0 | 9.3.0 |
| 2010-06 | RP-48 | RP-100621 | 164 | | Clarification on narrowband blocking requirements | 9.3.0 | 9.4.0 |
| 2010-06 | RP-48 | RP-100621 | 162 | | Spurious emissions limits and blocking requirements for coexistence with CDMA850 | 9.3.0 | 9.4.0 |
| 2010-06 | RP-48 | RP-100621 | 167 | 1 | Correction to the FRC for PUSCH 1.4M requirements | 9.3.0 | 9.4.0 |
| 2010-06 | RP-48 | RP-100625 | 172 | | Clarification of applicability of requirements for multi-carrier BS | 9.3.0 | 9.4.0 |
| 2010-06 | RP-48 | RP-100631 | 168 | | Co-existence with services in adjacent frequency bands | 9.3.0 | 9.4.0 |
| 2010-09 | RP-49 | RP-100920 | 178 | | UL Timing Adjustment: Stationary UE propagation channel clarification | 9.4.0 | 9.5.0 |
| 2010-12 | RP-50 | RP-101327 | 193 | | Band 12 channel arrangement correction on 36.104 | 9.5.0 | 9.6.0 |
| 2010-12 | RP-50 | RP-101328 | 189 | | PUCCH format 2 performance requirements definition clarification | 9.5.0 | 9.6.0 |
| 2010-12 | RP-50 | RP-101328 | 202 | | Correction on multi user PUCCH test | 9.5.0 | 9.6.0 |
| 2010-12 | RP-50 | RP-101342 | 182 | | Equaliser coefficient derivation for EVM | 9.5.0 | 9.6.0 |
| 2010-12 | RP-50 | RP-101342 | 185 | | Corrections on table reference for Local Area BS co-located with another BS | 9.5.0 | 9.6.0 |
| 2010-12 | RP-50 | RP-101342 | 199 | | Correction of applicability of requirements | 9.5.0 | 9.6.0 |
| 2011-04 | RP-51 | RP-110344 | 021 1 | - | Operating band unwanted emissions for Band 1, 33 and 34 (TS 36.104) | 9.6.0 | 9.7.0 |
| 2011-06 | RP-52 | RP-110794 | 217 | | Modifications to Band 3 to allow LTE Band 3 operation in Japan (Rel-9 TS36.104 CR) | 9.7.0 | 9.8.0 |
| 2011-06 | RP-52 | RP-110788 | 231 | 1 | Clarification of correlation matrix for eNB receiver | 9.7.0 | 9.8.0 |
| 2011-09 | RP-53 | RP-111252 | 243 | | Band 3/III operation in Japan | 9.8.0 | 9.9.0 |
| 2011-12 | RP-54 | RP-111682 | 253 | | Corrections for uplink performance requirements | 9.9.0 | 9.10.0 |

History

| Document history | | |
|-------------------------|---------------|-------------|
| V9.1.0 | October 2009 | Publication |
| V9.2.0 | February 2010 | Publication |
| V9.3.0 | April 2010 | Publication |
| V9.4.0 | July 2010 | Publication |
| V9.5.0 | October 2010 | Publication |
| V9.6.0 | January 2011 | Publication |
| V9.7.0 | April 2011 | Publication |
| V9.8.0 | June 2011 | Publication |
| V9.9.0 | November 2011 | Publication |
| V9.10.0 | January 2012 | Publication |