

ETSI TS 136 509 V9.0.0 (2010-04)

Technical Specification

**LTE;
Evolved Universal Terrestrial Radio Access (E-UTRA) and
Evolved Packet Core (EPC);
Special conformance testing functions
for User Equipment (UE)
(3GPP TS 36.509 version 9.0.0 Release 9)**



ReferenceRTS/TSGR-0536509v900

KeywordsLTE

ETSI

650 Route des Lucioles
F-06921 Sophia Antipolis Cedex - FRANCE

Tel.: +33 4 92 94 42 00 Fax: +33 4 93 65 47 16

Siret N° 348 623 562 00017 - NAF 742 C
Association à but non lucratif enregistrée à la
Sous-Préfecture de Grasse (06) N° 7803/88

Important notice

Individual copies of the present document can be downloaded from:

<http://www.etsi.org>

The present document may be made available in more than one electronic version or in print. In any case of existing or perceived difference in contents between such versions, the reference version is the Portable Document Format (PDF). In case of dispute, the reference shall be the printing on ETSI printers of the PDF version kept on a specific network drive within ETSI Secretariat.

Users of the present document should be aware that the document may be subject to revision or change of status. Information on the current status of this and other ETSI documents is available at

<http://portal.etsi.org/tb/status/status.asp>

If you find errors in the present document, please send your comment to one of the following services:

http://portal.etsi.org/chaicor/ETSI_support.asp

Copyright Notification

No part may be reproduced except as authorized by written permission.
The copyright and the foregoing restriction extend to reproduction in all media.

© European Telecommunications Standards Institute 2010.
All rights reserved.

DECT™, **PLUGTESTS™**, **UMTS™**, **TIPHON™**, the TIPHON logo and the ETSI logo are Trade Marks of ETSI registered for the benefit of its Members.

3GPP™ is a Trade Mark of ETSI registered for the benefit of its Members and of the 3GPP Organizational Partners.

LTE™ is a Trade Mark of ETSI currently being registered

for the benefit of its Members and of the 3GPP Organizational Partners.

GSM® and the GSM logo are Trade Marks registered and owned by the GSM Association.

Contents

Contents	2
Foreword.....	4
Introduction	4
1 Scope	5
2 References	5
3 Definitions and abbreviations.....	7
3.1 Definitions	7
3.2 Abbreviations	7
4 UE special conformance test functions	7
4.1 General description.....	7
5 Test Control (TC) protocol procedures and test loop operation.....	8
5.1 General description.....	8
5.2 Security protection of test control messages	14
5.3 UE test mode procedures.....	14
5.3.1 General.....	14
5.3.2 Activate UE test mode	15
5.3.2.1 General	15
5.3.2.2 Initiation.....	15
5.3.2.3 Reception of ACTIVATE TEST MODE message by UE	15
5.3.3 Deactivate UE test mode.....	16
5.3.3.1 General	16
5.3.3.2 Initiation.....	16
5.3.3.3 Reception of DEACTIVATE TEST MODE message by UE	17
5.4 UE test loop procedures	17
5.4.1 General.....	17
5.4.2 Close UE test loop	17
5.4.2.1 General	17
5.4.2.2 Initiation.....	18
5.4.2.3 Reception of CLOSE UE TEST LOOP message by the UE.....	18
5.4.3 UE test loop mode A operation.....	19
5.4.4 UE test loop mode B operation.....	21
5.4.4.1 UE test loop mode B IP PDU buffer size requirement	21
5.4.4.2 Reception of IP PDUs when UE is in E-UTRA mode	21
5.4.4.3 Expiry of T_delay_modeB timer when UE is in E-UTRA mode.....	21
5.4.4.4 Reception of IP PDUs when UE is in UTRA mode	22
5.4.4.5 Expiry of T_delay_modeB timer when UE is in UTRA mode	22
5.4.4.6 Reception of IP PDUs when UE is in GSM/GPRS mode	22
5.4.4.7 Expiry of T_delay_modeB timer when UE is in GSM/GPRS mode.....	23
5.4.4.8 Reception of IP PDUs when UE is in CDMA2000 mode.....	23
5.4.4.9 Expiry of T_delay_modeB timer when UE is in CDMA2000 mode	24
5.4.4.10 Establishment of the RRC/RR connection in E-UTRA, UTRA, GSM/GPRS and CDMA2000 mode.....	24
5.4.4.11 Release of RRC/RR connection in E-UTRA, UTRA, GSM/GPRS and CDMA2000 mode after T_delay_modeB timer has expired	24
5.4.5 Open UE test loop.....	24
5.4.5.1 General	24
5.4.5.2 Initiation.....	24
5.4.5.3 Reception of OPEN UE TEST LOOP message by the UE	24
6 Message definitions and contents.....	25
6.1 CLOSE UE TEST LOOP	25
6.2 CLOSE UE TEST LOOP COMPLETE	27
6.3 OPEN UE TEST LOOP	27

6.4	OPEN UE TEST LOOP COMPLETE	27
6.5	ACTIVATE TEST MODE.....	28
6.6	ACTIVATE TEST MODE COMPLETE.....	28
6.7	DEACTIVATE TEST MODE	28
6.8	DEACTIVATE TEST MODE COMPLETE	29
6.9	RESET UE POSITIONING STORED INFORMATION.....	29
7	Variables, constants and timers	29
7.1	State variables	29
7.2	Constants	29
7.3	Timers	29
7.4	Configurable parameters	30
8	Electrical Man Machine Interface (EMMI).....	30
Annex A (informative):	Void	32
Annex B (informative):	Change history	33
History		34

Foreword

This Technical Specification (TS) has been produced by ETSI 3rd Generation Partnership Project (3GPP).

The present document may refer to technical specifications or reports using their 3GPP identities, UMTS identities or GSM identities. These should be interpreted as being references to the corresponding ETSI deliverables.

The cross reference between GSM, UMTS, 3GPP and ETSI identities can be found under <http://webapp.etsi.org/key/queryform.asp>.

The contents of the present document are subject to continuing work within the TSG and may change following formal TSG approval. Should the TSG modify the contents of the present document, it will be re-released by the TSG with an identifying change of release date and an increase in version number as follows:

Version x.y.z

where:

- x the first digit:
 - 1 presented to TSG for information;
 - 2 presented to TSG for approval;
 - 3 or greater indicates TSG approved document under change control.
- y the second digit is incremented for all changes of substance, i.e. technical enhancements, corrections, updates, etc.
- z the third digit is incremented when editorial only changes have been incorporated in the document.

Introduction

User Equipment (UE) Test Loop functionality is a mandatory feature to support E-UTRA / EPC conformance testing. It forms part of the core requirements and thus has a direct impact on the design of the UE.

The test methods applied in RF Conformance Test Specification TS 36.521-1 [27] and the test models used in Protocol Conformance Test Specifications TS 36.523-1 [30] and TS 36.523-3 [32] define the corresponding UE Test Loop functionality. The present specification describes the location of the data loop in the protocol stack as well as the procedure and specific messages to activate/deactivate the Test Loop functionality in the UE.

1 Scope

The present document defines for User Equipment (UE) in E-UTRA FDD or TDD mode those special functions and their activation/deactivation methods that are required in UE for conformance testing purposes.

This document also describes the operation of these special functions for UEs supporting E-UTRA FDD or TDD mode, when operating in UTRA FDD and TDD mode, in GSM/GPRS mode, and in CDMA2000 mode.

2 References

The following documents contain provisions which, through reference in this text, constitute provisions of the present document.

- References are either specific (identified by date of publication, edition number, version number, etc.) or non-specific.
- For a specific reference, subsequent revisions do not apply.
- For a non-specific reference, the latest version applies. In the case of a reference to a 3GPP document (including a GSM document), a non-specific reference implicitly refers to the latest version of that document in the same Release as the present document.

- [1] 3GPP TR 21.905: "Vocabulary for 3GPP Specifications".
- [2] 3GPP TS 23.003: "Numbering, Addressing and Identification".
- [3] 3GPP TS 23.122: "Non-Access-Stratum functions related to Mobile Station (MS) in idle mode".
- [4] 3GPP TS 23.401: "3GPP System Architecture Evolution; GPRS enhancements for E-UTRAN access".
- [5] 3GPP TS 24.007: "Mobile radio interface signalling layer 3; General aspects".
- [6] 3GPP TS 24.008: "Mobile Radio Interface Layer 3 specification; Core Network Protocols; Stage 3".
- [7] 3GPP TR 24.801: "3GPP System Architecture Evolution; CT WG1 Aspects".
- [8] 3GPP TS 27.007: "AT command set for User Equipment (UE)".
- [9] 3GPP TS 31.101: "UICC-Terminal Interface; Physical and Logical Characteristics".
- [10] 3GPP TS 34.108: "Common Test Environments for User Equipment (UE) Conformance Testing".
- [11] 3GPP TS 34.109: "Terminal logical test interface; Special conformance testing functions".
- [12] 3GPP TS 34.123-1: "User Equipment (UE) conformance specification; Part 1: Protocol conformance specification".
- [13] 3GPP TS 34.123-2: "User Equipment (UE) conformance specification; Part 2: Implementation Conformance Statement (ICS) proforma specification".
- [14] 3GPP TS 34.123-3: "User Equipment (UE) conformance specification; Part 3: Abstract Test Suites (ATS)".
- [15] 3GPP TS 36.133: "Requirements for support of Radio Resource Management".
- [16] 3GPP TS 36.211: "Physical Channels and Modulation".
- [17] 3GPP TS 36.212: "Multiplexing and Channel Coding".

- [18] 3GPP TS 36.300: "Evolved Universal Terrestrial Radio Access (E-UTRA) and Evolved Universal Terrestrial Radio Access Network (E-UTRAN); Overall description; Stage 2".
- [19] 3GPP TS 36.302: "Services provided by the physical layer for E-UTRA".
- [20] 3GPP TS 36.304: "Evolved Universal Terrestrial Radio Access (EUTRA) User Equipment (UE) Procedures in idle mode".
- [21] 3GPP TS 36.306: "Evolved Universal Terrestrial Radio Access (EUTRA) User Equipment (UE) Radio Access capabilities".
- [22] 3GPP TS 36.321: "Evolved Universal Terrestrial Radio Access (EUTRA) Medium Access Control (MAC) protocol specification".
- [23] 3GPP TS 36.322: "Evolved Universal Terrestrial Radio Access (EUTRA) Radio Link Control (RLC) protocol specification".
- [24] 3GPP TS 36.323: "Evolved Universal Terrestrial Radio Access (EUTRA) Packet Data Convergence Protocol (PDCP) specification".
- [25] 3GPP TS 36.331: "Evolved Universal Terrestrial Radio Access (EUTRA) Radio Resource Control (RRC) Protocol Specification".
- [26] 3GPP TS 36.508: "Evolved Universal Terrestrial Radio Access (E-UTRA) and Evolved Packet Core (EPC); Common test environments for User Equipment (UE); Conformance Testing".
- [27] 3GPP TS 36.521-1: " Evolved Universal Terrestrial Radio Access (E-UTRA); User Equipment (UE) conformance specification Radio transmission and reception; Part 1: Conformance Testing".
- [28] 3GPP TS 36.521-2: "Evolved Universal Terrestrial Radio Access (E-UTRA); User Equipment (UE) conformance specification Radio transmission and reception; Part 2: Implementation Conformance Statement (ICS)".
- [29] 3GPP TS 36.521-3: "Evolved Universal Terrestrial Radio Access (E-UTRA); User Equipment (UE) conformance specification Radio transmission and reception; Part 3: Radio Resource Management Conformance Testing".
- [30] 3GPP TS 36.523-1: " Evolved Universal Terrestrial Radio Access (E-UTRA) and Evolved Packet Core (EPC); User Equipment (UE) conformance specification; Part 1: Protocol conformance specification".
- [31] 3GPP TS 36.523-2: "Evolved Universal Terrestrial Radio Access (E-UTRA) and Evolved Packet Core (EPC); User Equipment (UE) conformance specification; Part 2: Implementation Conformance Statement (ICS) proforma specification".
- [32] 3GPP TS 36.523-3: " Evolved Universal Terrestrial Radio Access (E-UTRA) and Evolved Packet Core (EPC); User Equipment (UE) conformance specification; Part 3: Abstract Test Suites (ATS)".
- [33] 3GPP TS 44.014: "Individual equipment type requirements and interworking; Special conformance testing functions".
- [34] 3GPP TS 51.010-1: "Mobile Station (MS) conformance specification; Part 1: Conformance specification".
- [35] ISO/IEC 9646 (all parts): "Information technology - Open Systems Interconnection - Conformance testing methodology and framework".
- [36] 3GPP TS 24.301: "Non-Access-Stratum (NAS) protocol for Evolved Packet System (EPS); Stage 3".

3 Definitions and abbreviations

3.1 Definitions

For the purposes of the present document, the terms and definitions given in TR 21.905 [1] apply, unless specified below:

Bi-directional Data Radio Bearer: Data radio bearer identified by a data radio bearer identifier capable to deliver data in both downlink and uplink

Logical Test Interface: interface which provides the logical service to interwork and to communicate between UE and System Simulator during the test of a UE

SS (System Simulator): test system (or equipment) that drives the test process with UE, like eNB (evolved Node B) simulator

TC (Test Control): UE protocol entity used by the SS to control the UE specific testing functions

UE (User Equipment): user equipment as defined in [1] that is under test

User: test user, who handles the test and measurement process via the logical test interface

3.2 Abbreviations

For the purposes of the present document, the abbreviations specified in TR 21.905 [1] apply, with any additional abbreviations specified below:

DRB	Data Radio Bearer
EMM	EPS Mobility Management
ENB	Evolved Node B
EPS Bearer	Evolved Packet System Bearer
ESM	EPS Session Management
LB	Loop Back
MAC	Media Access Control
MTC	Main Test Component
RAB	Radio Access Bearer
RMC	Reference Measurement Channel
ROHC	Robust Header Compression
SDF	Service Data Flow
SS	System Simulator
TC	Test Control

4 UE special conformance test functions

4.1 General description

The SS performs activation and deactivation of the conformance test functions in the UE by sending Security Protected NAS Layer 3 messages. Apart from sending the appropriate deactivation command to the UE the functions shall be deactivated by:

switching off the UE; or

by removing the USIM.

Editor's note: Further changes may be required to support USIM removal (e.g. to ensure that UE state variables are reset).

The following special UE conformance testing functions can be activated (and deactivated):

- UE test loop function;
- Electrical Man Machine Interface (EMMI).

The following Test Control (TC) procedures are used to control the UE test loop function:

- Close UE test loop;
- Open UE test loop.

No specific TC procedures are associated with EMMI.

5 Test Control (TC) protocol procedures and test loop operation

5.1 General description

The UE test loop function provides access to isolated functions of the UE via the radio interface without introducing new physical interfaces just for the reason of conformance testing.

NOTE: It should be emphasised that the UE test loop function only describes the functional behaviour of the UE with respect to its external interfaces; physical implementation of the UE test loop function is completely left open to the manufacturer.

The UE test loop function is activated by transmitting the appropriate TC message to the UE, see clause 6.

The UE test loop function can be operated in two different loopback modes:

- UE test loop mode A; and
- UE test loop mode B.

UE test loop mode A provides loopback of PDCP SDUs for bi-directional data radio bearers while UE is operating in E-UTRA mode. The downlink PDCP SDUs received by the UE on each bi-directional data radio bearer are returned on the same radio bearer regardless of the PDCP SDU contents and of the TFT of the associated EPS bearer context [36].

UE test loop mode B provides loopback of PDCP SDUs (E-UTRA and UTRA), SNDCP PDUs (GSM/GPRS) and RLP PDUs (CDMA2000) for bi-directional EPS bearers while UE is operated in E-UTRA, UTRA, GSM/GPRS or CDMA2000 modes. UE test loop mode B can not be used when more than one PDN connection is established or more than one primary PDP context is active. When operating in E-UTRA, the downlink PDCP SDUs received by the UE on all bi-directional data radio bearers are returned by the UE on the data radio bearer associated with an EPS bearer context with a TFT matching the TCP/UDP/IP protocol information within the PDCP SDU [36]. When operating in UTRA, GSM/GPRS or CDMA2000 modes, the downlink PDCP SDUs received by the UE on all bi-directional data radio bearers are returned by the UE on the data radio bearer with the smallest identity, regardless of the PDCP SDU contents and of the TFT of the associated EPS bearer context.

UE test loop mode A is mandatory to all E-UTRA UEs.

UE test loop mode B for operation in E-UTRA mode is mandatory to all E-UTRA UEs.

UE test loop mode B for operation in UTRA mode is mandatory to all E-UTRA UEs supporting UTRA radio access.

UE test loop mode B for operation in GSM/GPRS mode is mandatory to all E-UTRA UEs supporting GSM/GPRS radio access.

UE test loop mode B for operation in CDMA2000 mode is mandatory to all E-UTRA UEs supporting CDMA2000 radio access.

For E-UTRA UE supporting multiple radio access technologies then UE reception of Test Control messages is limited to UE operating in E-UTRA mode, while continuation of loopback of user data is provided over the change to other UE supported radio access technologies.

UE test loop mode B for operation in UTRA, GSM/GPRS and CDMA2000 mode is only applicable for loopback of user data in PS domain.

The TC entity may be seen as a L3 or a NAS entity.

Figure 5.1-1 shows a functional block diagram of UE test loop function for TC entity and UE test loop mode A. The loopback of PDCP SDUs for UE test loop mode A is specified in sub clause 5.3.3.

Figure 5.1-2 shows a functional block diagram of UE test loop function for TC entity and UE test loop mode B. The loopback of IP PDUs/PDCP SDUs for UE test loop mode B and UE in E-UTRA mode is specified in subclauses 5.3.4.2 and 5.3.4.3.

Figure 5.1-3 shows a functional block diagram of UE test loop function for UE test loop mode B and UE operating in UTRA mode. The loopback of IP PDUs/PDCP SDUs for UE test loop mode B and UE in UTRA mode is specified in subclauses 5.3.4.4 and 5.3.4.5.

Figure 5.1-4 shows a functional block diagram of UE test loop function for UE test loop mode B for UE operating in GSM/GPRS mode. The loopback of IP PDUs/SNDCP SDUs for UE test loop mode B and UE in GSM/GPRS mode is specified in subclauses 5.3.4.6 and 5.3.4.7.

Figure 5.1-5 shows a functional block diagram of UE test loop function for UE test loop mode B for UE operating in CDMA2000 mode. The loopback of IP PDUs/RLP SDUs for UE test loop mode B and UE in CDMA2000 mode is specified in subclauses 5.3.4.8 and 5.3.4.9.

NOTE: ROHC functionality in PDCP Layer 2 is optional for UE implementations.

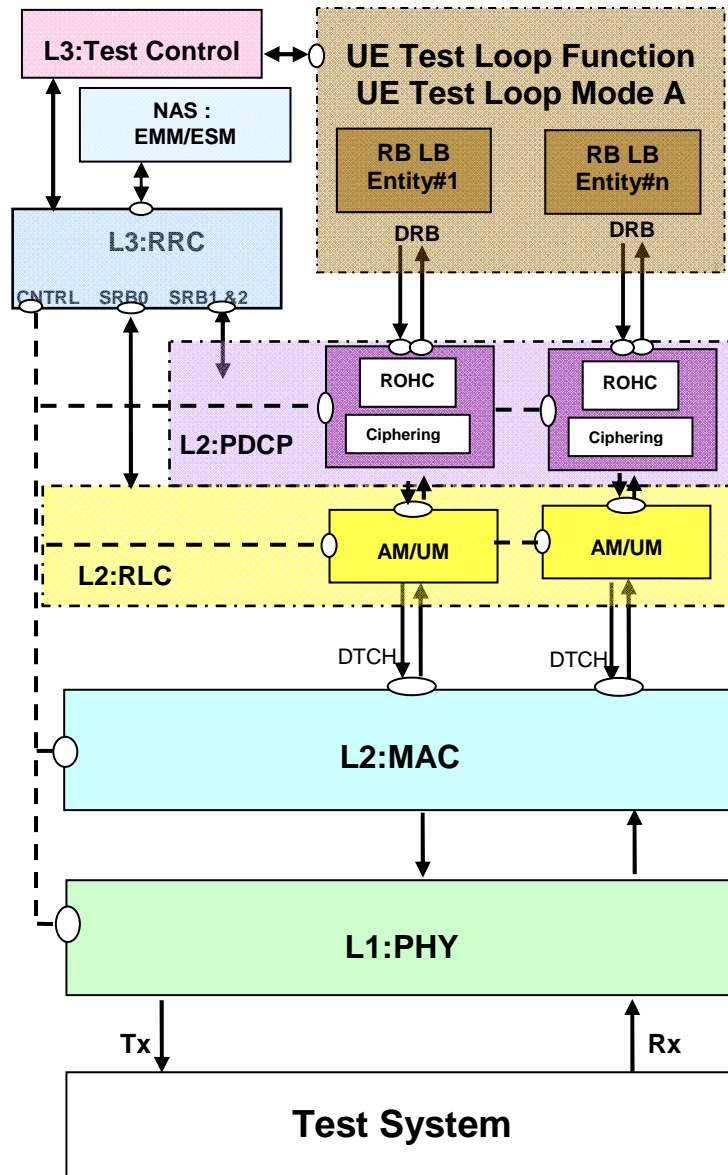


Figure 5.1-1: Model for Test Control and UE Test Loop Mode A on UE side for E-UTRA

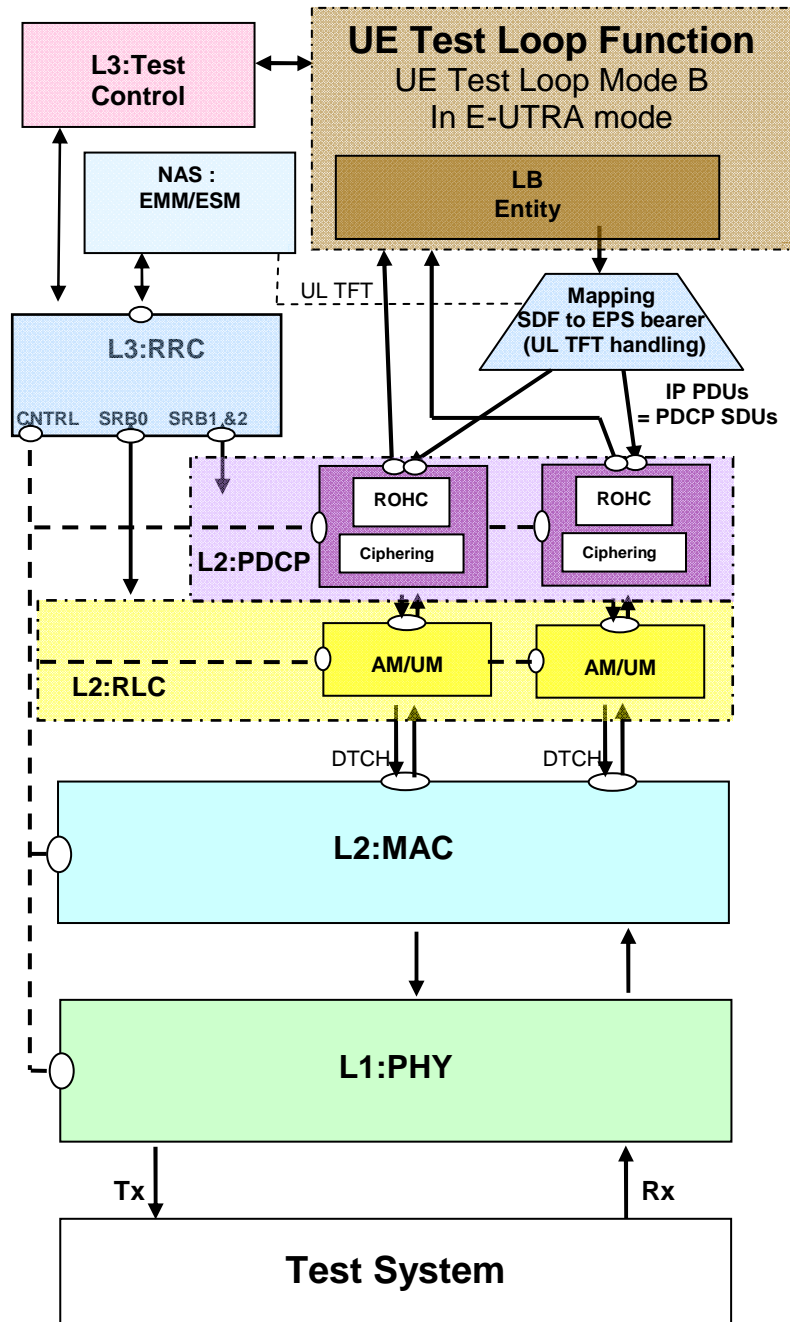


Figure 5.1-2: Model for Test Control and UE Test Loop Mode B on UE side for E-UTRA

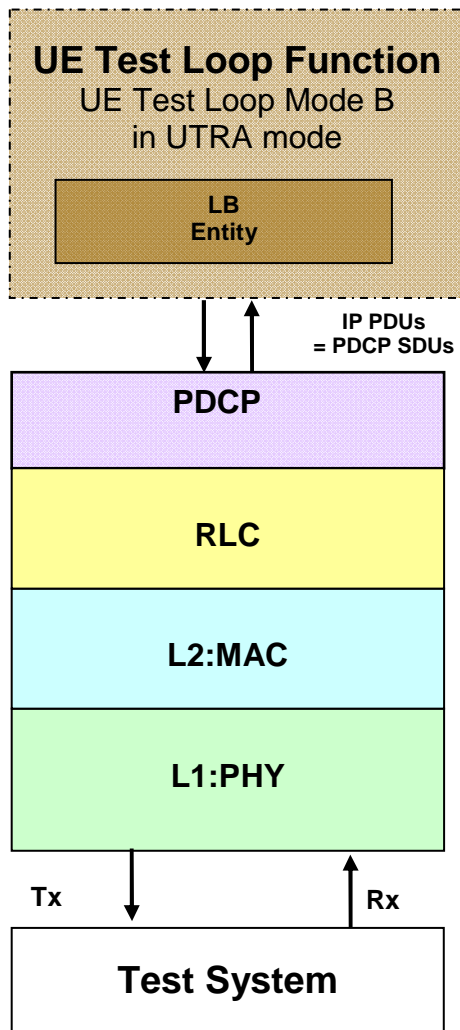


Figure 5.1-3: Model for UE Test Loop Mode B on UE side for UTRA

Editor's note: It is FFS if the entity handling mapping of SDF to PS bearer in uplink (UL TFT handling) for the UTRA case needs to be included in figure 5.1-3. Currently UE test loop mode B is limited to loopback of a single PS radio bearer in UTRA mode.

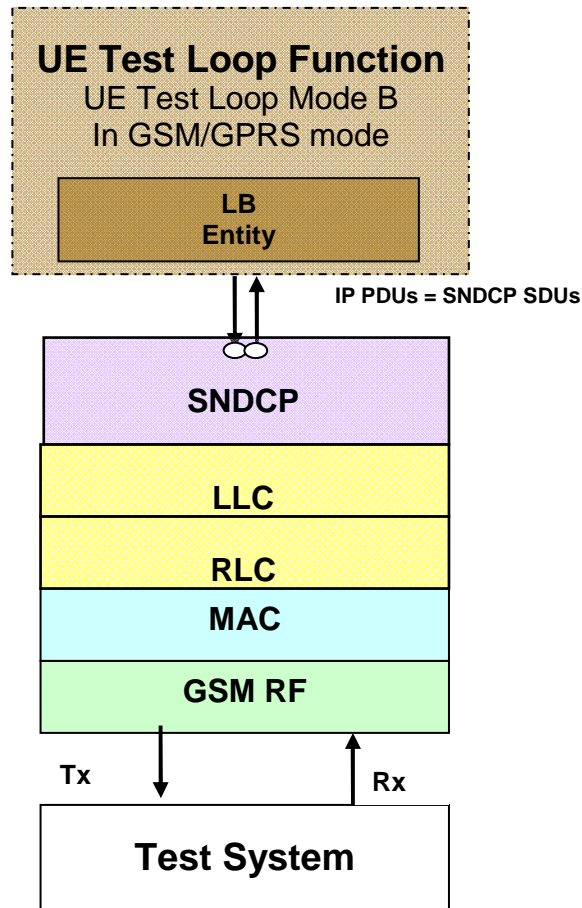


Figure 5.1-4: Model for UE Test Loop Mode B on UE side for GSM/GPRS

Editor's note: It is FFS if the entity handling mapping of SDF to NSAPI in uplink (UL TFT handling) for the GSM/GPRS case needs to be included in figure 5.1-4. Currently UE test loop mode B is limited to a single PS radio bearer in GSM/GPRS mode.

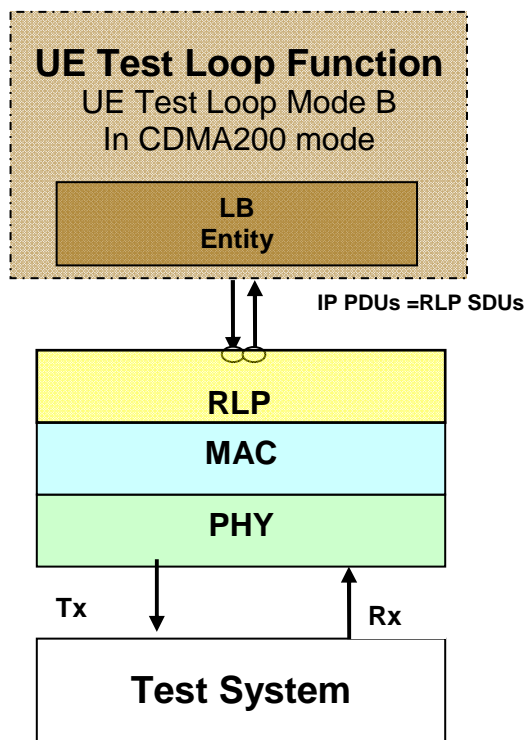


Figure 5.1-5: Model for UE Test Loop Mode B on UE side for CDMA2000

5.2 Security protection of test control messages

The test control messages, i.e. ACTIVATE TEST MODE, DEACTIVATE TEST MODE, CLOSE UE TEST LOOP, and OPEN UE TEST LOOP, are integrity protected and ciphered according to TS 24.301 clause 4.4.

5.3 UE test mode procedures

5.3.1 General

The UE test mode procedures are intended for setting the UE into a test mode where the SS can set up data radio bearers (UE test loop mode A) or EPS bearers (UE test loop mode B) to be terminated in the UE test loop function; as well as, for making UE leave the test mode if it has previously been set into it and return to normal operation.

Editor's note: It is FFS if any specific UE behaviour needs to be specified to prevent that NAS or applications don't interfere with UE test loop function.

5.3.2 Activate UE test mode

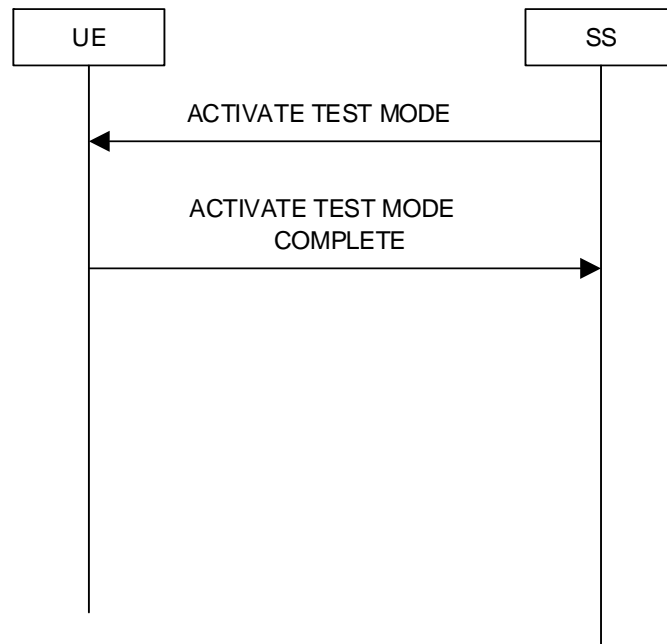


Figure 5.3.2-1: Activate UE test mode procedure

5.3.2.1 General

The SS uses the activate UE test mode procedure to get the UE into a test mode where the SS can set up one or more sets of data radio bearers with an associated EPS bearer context (UE test loop mode A) or EPS bearers (UE test loop mode B) before commanding the UE to terminate them in the UE test loop function. The activation of the UE test loop function in UE test loop mode A or UE test loop mode B will control if the UE is terminating the data radio bearers or the EPS bearers in the UE test loop function.

5.3.2.2 Initiation

The SS can activate the UE test mode when UE is in E-UTRA connected state.

NOTE: Refer to TS 36.508 [28] subclause 4.5.1 for more details on UE states.

The SS requests the UE to activate the UE test mode by transmitting an ACTIVATE TEST MODE message.

5.3.2.3 Reception of ACTIVATE TEST MODE message by UE

Upon receiving the ACTIVATE TEST MODE message the UE shall:

- 1> if a default EPS bearer context is already activated:
 - 2> the UE behaviour is unspecified.
- 1> else:
 - 2> activate the UE test mode;
 - 2> send ACTIVATE TEST MODE COMPLETE message.

When the UE test mode is active:

- 1> the UE shall accept any request to establish a data radio bearer with an associated EPS bearer context, both included in the same RRC message, and within the radio access capabilities of the UE;
- 1> if neither test loop mode A operation nor test loop mode B operation is ongoing:

2> if the UE is operating in E-UTRAN mode:

3> if the UE hasn't received the ACTIVATE DEFAULT EPS BEARER CONTEXT REQUEST message in response to the PDN CONNECTIVITY REQUEST message included in an ATTACH REQUEST message; or

3> if the UE has received the response message with the PDN type IE set to 'IPv4' and an IPv4 address value different from '0.0.0.0':

4> the UE may not transmit any uplink PDCP SDU on any DRB:

4> the UE may discard any received downlink PDCP SDU on any DRB is.

NOTE: If the UE has requested the use of DHCPv4 signalling for allocation of an IPv4 address, the UE may either accept the IPv4 address provided via NAS signalling and may not transmit any uplink PDCP SDU on any DRB and may discard downlink PDCP SDUs on any DRB, or the UE may transmit and receive DHCPv4 messages to obtain an IPv4 address, according to the procedure described in TS 36.508 clause 4.5.2A.

3> if the UE has received the response message with the PDN type IE set to a value different from 'IPv4' or with the IPv4 address equal to '0.0.0.0';

4> the UE may transmit uplink PDCP SDUs on any DRB.

5.3.3 Deactivate UE test mode

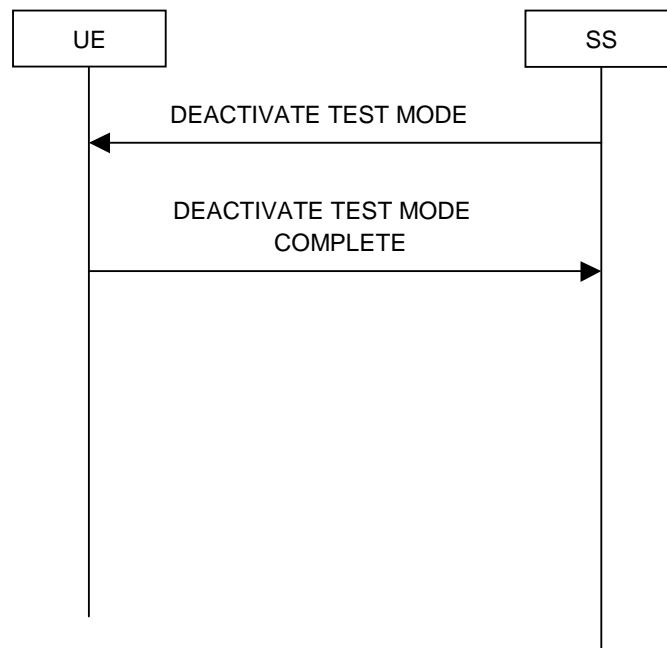


Figure 5.3.3-1: Deactivate UE test mode procedure

5.3.3.1 General

The purpose of this procedure is to deactivate the UE test mode and return UE to normal operation.

NOTE: Deactivation of the UE test loop mode may occur as well as a result of other events. For further details see e.g. 4.1, 5.4.2.1.

5.3.3.2 Initiation

The SS can deactivate the UE test mode when UE is in E-UTRA connected state and the UE test mode is active.

NOTE: Refer to TS 36.508 [28] subclause 4.5.1 for more details on UE states.

The SS requests the UE to deactivate the UE test mode by transmitting a DEACTIVATE TEST MODE message.

5.3.3.3 Reception of DEACTIVATE TEST MODE message by UE

Upon receiving the DEACTIVATE TEST MODE message the UE shall:

- 1> deactivate the UE test mode;
- 1> send a DEACTIVATE TEST MODE COMPLETE message.

5.4 UE test loop procedures

5.4.1 General

The UE test loop function is intended for:

- E-UTRA RF receiver and transmitter testing to generate data transfer in downlink and uplink.
- E-UTRA layer 2 (MAC, RLC, PDCP) and data radio bearer testing to generate data transfer in downlink and uplink.
- EPC and E-UTRA layer 3 testing to verify data transfer continuation over RRC and EPC procedures.
- EPC NAS user-plane testing to verify uplink TFT handling.
- E-UTRA/EPC Inter-system testing to verify data transfer continuation over Inter-system change procedures to and from UTRA, GSM/GPRS and CDMA2000.

5.4.2 Close UE test loop

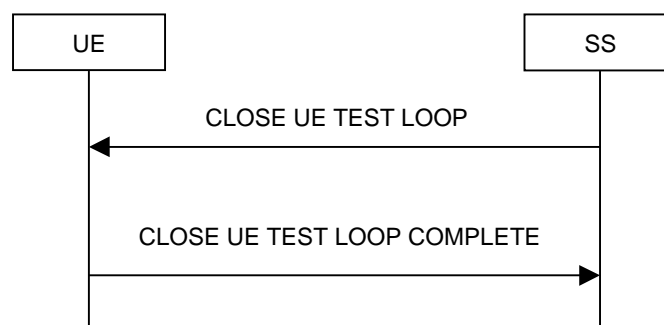


Figure 5.4.2-1: Close UE test loop procedure

5.4.2.1 General

The SS uses the close UE test loop procedure to start the UE Test Loop function in the UE while in E-UTRA mode.

A prerequisite for UE test loop mode A is that at least one bi-directional data radio bearer has been established between SS and UE.

A prerequisite for UE test loop mode B is that at least one EPS bearer context has been established between SS and UE.

The UE shall provide for normal layer 1, layer 2, RRC, EMM and ESM functionality while the UE test loop function is active. This includes (but is not limited to) handover procedures and normal disconnection of the data radio bearer.

For UE test loop mode A the loopback shall be maintained across handovers within E-UTRA, but after data radio bearer release, the loopback shall cease to exist.

For UE test loop mode B the loopback shall be maintained across handovers within E-UTRA and between radio access system (E-UTRA to/from UTRA, E-UTRA to/from GSM/GPRS and E-UTRA to/from CDMA2000). This means that any buffered IP PDUs in the UE test loop function at the time of the intra- or inter-system change shall be kept in the UE test loop function and being scheduled for transmission transparently to the intra- or inter-system change.

For UE test loop mode A or B, UE shall not transmit any uplink U-plane data other than the data returned by the loopback entity.

5.4.2.2 Initiation

The SS can request the UE to close a test loop in mode A if at least one bi-directional data radio bearer is established and the UE test mode is active.

The SS can request the UE to close a test loop in mode B if at least one EPS bearer is established and the UE test mode is active.

The SS requests the UE to close its UE test loop mode A or UE test loop mode B test loop(s) by transmitting a CLOSE UE TEST LOOP message.

5.4.2.3 Reception of CLOSE UE TEST LOOP message by the UE

Upon receiving the CLOSE UE TEST LOOP message the UE shall:

- 1> if UE test loop mode A has been selected;
 - 2> if no bi-directional data radio bearers are established or if the UE test mode is not active; or
 - 2> if test loop mode A or test loop mode B operation is already closed on one or more data radio bearers:
 - 3> the UE behaviour is unspecified
 - 2> else:
 - 3> for LB_ID=0 to MAX_ModeA_LB-1_entities:
 - 4> set DRB_ID(LB_ID) to 0 (indicate no DRB mapped)
 - 4> set UL_PDCP_SDU_scaling(LB_ID) to FALSE
 - 3> set LB_ID to 0
 - 3> for each established bi-directional data radio bearer in ascending order and starting with the data radio bearer with the lowest configured Data Radio bearer identity number:
 - 4> if LB_ID is less than MAX_ModeA_LB_entities:
 - 5> set DRB_ID(LB_ID) to the Data Radio bearer identity number
 - 5> increment LB_ID by 1
 - 4> else:
 - 5> the UE behaviour is unspecified
 - 3> if the UE test loop mode A setup IE is included:
 - 4> for each LB Setup DRB IE in the LB setup list of the UE test loop mode A setup IE:
 - 5> for LB_ID=0 to MAX_ModeA_LB_entities-1:
 - 6> if DRB_ID(LB_ID) is equal to the Data Radio bearer identity number parameter of the LB Setup DRB IE:
 - 7> if the LB Setup DRB(LB_ID) IE is included:
 - 7> set UL_PDCP_SDU_scaling(LB_ID) to TRUE

- 7> set UL_PDCP_SDU_size(LB_ID) to UL PDCP SDU size parameter of the LB Setup DRB(LB_ID) IE
- 3> perform the UE actions for UE Test Loop Mode A operation as specified in subclause 5.4.3; and
- 3> send CLOSE UE TEST LOOP COMPLETE message (the loopback shall be operational prior to the sending of the acknowledgement).
- 1> else if UE test loop mode B has been selected;
 - 2> if no EPS bearer is established or if the UE test mode is not active; or
 - 2> if the test loop is already active on one or more EPS bearers:
 - 3> the UE behaviour is unspecified.
 - 2> otherwise:
 - 3> set TEST_LOOP_MODE_B_ACTIVE to TRUE
 - 3> set timer T_delay_modeB to the value of IP PDU delay timer parameter of the UE test loop mode B IE;
 - 3> if the IP PDU delay timer parameter of the UE test loop mode B IE has a value larger than zero:
 - 4> set BUFFER_IP_PDUs to TRUE
 - 3> else:
 - 4> set BUFFER_IP_PDUs to FALSE
 - 3> set CDMA2000_INITIATED to FALSE
 - 3> perform the UE actions for UE Test Loop Mode B operation as specified in subclause 5.4.4 and 5.4.4.1 to 5.4.4.11; and
 - 3> send CLOSE UE TEST LOOP COMPLETE message (the loopback shall be operational prior to the sending of the acknowledgement).
- 1> else;
 - 2> the UE behaviour is unspecified.

5.4.3 UE test loop mode A operation

Upon receiving a PDCP SDU identified by LB_ID when operating in E-UTRA mode with UE Test Loop Mode A active the UE shall:

- 1> if UL_PDCP_SDU_scaling(LB_ID) is FALSE:
 - 2> take the PDCP SDU from the output of the PDCP Service Access Point (SAP) and provide it as input to the correspondent PDCP SAP in uplink and transmit, see Figure 5.4.3-1.
- 1> else:
 - 2> if UL_PDCP_SDU_size(LB_ID) = 0:
 - 3> discard the PDCP SDU (no data is returned).
 - 2> else:
 - 3> if the size of the received PDCP SDU in downlink is equal to UL_PDCP_SDU_size(LB_ID):
 - 4> take the PDCP SDU from the output of the PDCP SAP and provide it as input to the correspondent PDCP SAP in uplink and transmit, see Figure 5.4.3-1.
 - 3> else if the size of the received PDCP SDU in downlink is bigger than UL_PDCP_SDU_size(LB_ID):

- 4> create a UL PDCP SDU of size $UL_PDCP_SDU_size(LB_ID)$ by taking the first K bits of the received PDCP SDU in downlink PDCP SAP, where K is equal to $UL_PDCP_SDU_size(LB_ID)$ and provide it as input to the correspondent PDCP SAP in uplink and transmit, see Figure 5.4.3-2.
- 3> else if the size of the received PDCP SDU in downlink is less than $UL_PDCP_SDU_size(LB_ID)$:
 - 4> create a UL PDCP SDU of size $UL_PDCP_SDU_size(LB_ID)$ by repeating the data received in downlink PDCP SDU in downlink to fill the UL PDCP SDU (truncating the last block if necessary), provide it as input to the correspondent PDCP SAP in uplink and transmit, see Figure 5.4.3-3.

NOTE: Size of the received PDCP SDUs in downlink shall be bit strings that are byte aligned (i.e. multiple of 8 bits) according to TS 36.323 [24] clause 6.2.1.

In both RLC AM and UM modes, UE shall be able to buffer minimum of [10kbytes] of UL PDCP SDU blocks. The UE shall discard the UL PDCP SDU block if its buffer capacity for UL PDCP SDU blocks is exceeded. The UE shall perform the discard either by the loopback entity or the UL PDCP entity.

Editor's note: The value for minimum UL PDCP SDU buffer size is preliminary set to 10kByte. The value is for further study to secure that the required buffer size is enough to cover all RF testing scenarios and UE categories.

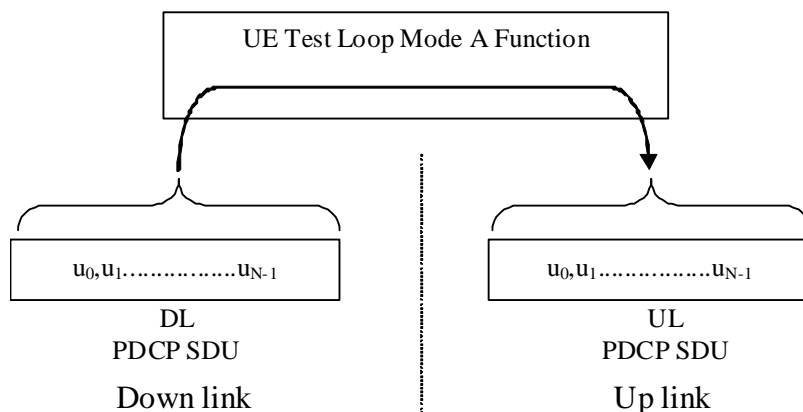


Figure 5.4.3-1: Loop back of PDCP SDU (DL PDCP SDU size = UL PDCP SDU size = N)

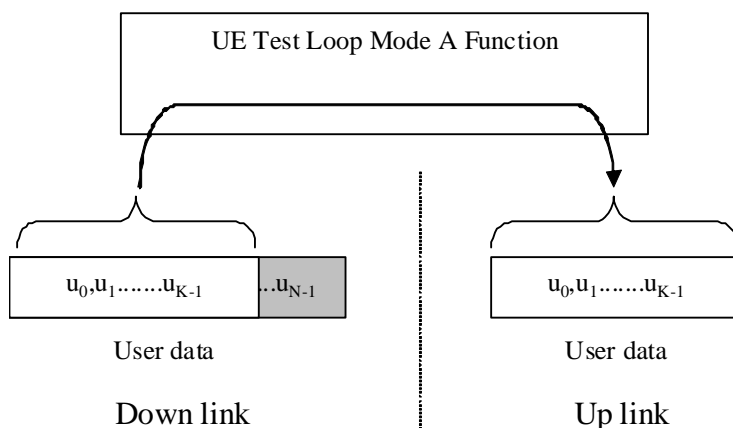


Figure 5.4.3-2: DL > UL PDCP SDU block size (DL PDCP SDU size = N, UL PDCP SDU size = K)

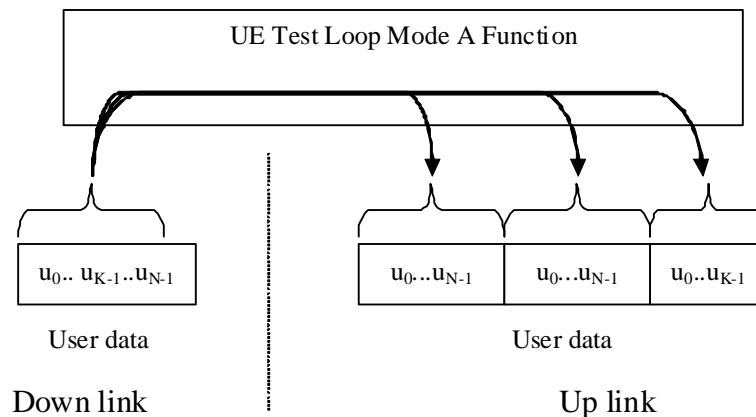


Figure 5.4.3-3: DL < UL PDCP SDU block size
 (DL PDCP SDU size = N, UL PDCP SDU size = 2*N + K)

5.4.4 UE test loop mode B operation

5.4.4.1 UE test loop mode B IP PDU buffer size requirement

For UE test loop mode B, when the received IP PDU does not fit in the UE test loop buffer, the UE shall discard the IP PDU. For UE test loop mode B the minimum total IP PDU buffer size supported by the UE shall be [12160 bits].

Editor's note: The value for minimum IP PDU buffer size is FFS, preliminary value set to 12160 bits correspondent to 1520 octets (maximum SDU size as specified in 24.008).

5.4.4.2 Reception of IP PDUs when UE is in E-UTRA mode

Upon receiving a PDCP SDU (=IP PDU) when operating in E-UTRA mode with UE Test Loop Mode B active the UE shall:

- 1> if T_delay_modeB timer is running:
 - 2> buffer the received PDCP SDU
- 1> else
 - 2> if BUFFER_IP_PDUs is TRUE
 - 3> buffer the received PDCP SDU
 - 3> Start T_delay_modeB timer
 - 2> else
 - 3> submit the received PDCP SDU without any modification of the IP header to the UL TFT handling SAP for transmission in uplink. See note.

NOTE: The UL TFT function in the UE is mapping IP PDUs received from SDF to EPS bearer/radio bearer as configured by SS in the UL TFT IE sent as part of the EPS bearer establishment procedures. See figure 5.1-2.

NOTE: Size of the received PDCP SDUs in downlink shall be bit strings that are byte aligned (i.e. multiple of 8 bits) according to TS 36.323 [24] clause 6.2.1.

5.4.4.3 Expiry of T_delay_modeB timer when UE is in E-UTRA mode

When timer T_delay_modeB expires when UE is operating in E-UTRA mode and has UE Test Loop Mode B active then the UE shall:

1> submit the buffered PDCP SDUs in the same order as received (first-in-first-out) and without any modification of the IP header to the UL TFT handling SAP for transmission in uplink. See note 1.

1> set BUFFER_IP_PDUs to FALSE

NOTE 1: The UL TFT function in the UE is mapping IP PDUs received from SDF to EPS bearer/radio bearer as configured by SS in the UL TFT IE sent as part of the EPS bearer establishment procedures. See figure 5.1-2.

NOTE 2: After the PDCP SDU buffer becomes empty the loopback will return any received PDCP SDU in uplink directly as specified in clause 5.4.4.2. In order to reactivate the loopback delay and PDCP SDU buffering the SS shall deactivate UE test loop B function first.

5.4.4.4 Reception of IP PDUs when UE is in UTRA mode

When UE receives a PDCP SDU when UE is operating in UTRA mode and has UE Test Loop Mode B active then the UE shall:

1> if T_delay_modeB timer is running:

2> buffer the received PDCP SDU

1> else

2> if BUFFER_IP_PDUs is TRUE

3> buffer the received PDCP SDU

3> Start T_delay_modeB timer

2> else

3> submit the received PDCP SDU without any modification of the IP header [to the PDCP SAP for transmission in uplink on the radio bearer with the lowest radio bearer identity number].

Editor's note: It is FFS at which layer the PDCP PDU is submitted for transmission, directly to the PDCP SAP or to the UL TFT handling service access point (SAP) for transmission in uplink on the EPS bearer/radio bearer as configured by SS in the UL TFT IE sent as part of the radio bearer establishment procedure.

5.4.4.5 Expiry of T_delay_modeB timer when UE is in UTRA mode

When timer T_delay_modeB expires when UE is operating in UTRA mode and has UE Test Loop Mode B active then UE shall:

1> submit the buffered IP PDUs in the same order as received (first-in-first-out) and without any modification of the IP header [to the PDCP SAP for transmission in uplink on the radio bearer with the lowest radio bearer identity number].

1> set BUFFER_IP_PDUs to FALSE.

Editor's note: It is FFS at which layer the PDCP PDU is submitted for transmission, directly to the PDCP SAP or to the UL TFT handling service access point (SAP) for transmission in uplink on the EPS bearer/radio bearer as configured by SS in the UL TFT IE sent as part of the radio bearer establishment procedure.

NOTE: After the IP PDU buffer becomes empty the loopback will return any received PDCP SDU in uplink directly as specified in clause 5.4.4.4. In order to reactivate the loopback delay and PDCP SDU buffering the SS shall deactivate UE test loop B function and UE shall return to E-UTRA mode first.

5.4.4.6 Reception of IP PDUs when UE is in GSM/GPRS mode

When UE receives a SND CP SDU when UE is operating in GSM/GPRS mode and has UE Test Loop Mode B active then the UE shall:

1> if T_delay_modeB timer is running:

- 2> buffer the received SNDCP SDU.
- 1> else
 - 2> if BUFFER_IP_PDUs is TRUE;
 - 3> buffer the received SNDCP SDU;
 - 3> Start T_delay_modeB timer.
 - 2> else
 - 3> submit the received SNDCP SDU without any modification of the IP header to the SNDCP SAP for transmission in uplink.

Editor's note: It is FFS on which NSAPI the SNDCP SDU is submitted (i.e. a fixed NSAPI value or a value determined by the uplink TFT handling function).

5.4.4.7 Expiry of T_delay_modeB timer when UE is in GSM/GPRS mode

When timer T_delay_modeB expires when UE is operating in GSM/GPRS mode and has UE Test Loop Mode B active then the UE shall:

- 1> submit the buffered IP PDUs without any modification of the IP header in the same order as received (first-in-first-out), to the SNDCP SAP for transmission in uplink.
- 1> set BUFFER_IP_PDUs to FALSE

Editor's note: It is FFS on which NSAPI the SNDCP SDU is submitted (i.e. a fixed NSAPI value or a value determined by the uplink TFT handling function).

NOTE: After the IP PDU buffer becomes empty the loopback will return any received SNDCP SDU in uplink directly as specified in clause 5.4.4.6. In order to reactivate the loopback delay and SNDCP SDU buffering the SS shall deactivate UE test loop B function and UE shall return to E-UTRA mode first.

5.4.4.8 Reception of IP PDUs when UE is in CDMA2000 mode

When UE receives a RLP SDU when UE is operating in CDMA2000 mode and has UE Test Loop Mode B active then the UE shall:

- 1> if CDMA2000_INITIATED is FALSE:
 - 2> if T_delay_modeB is running:
 - 3> restart T_delay_modeB
 - 2> else:
 - 3> start T_delay_modeB
 - 2> set CDMA2000_INITIATED to TRUE;
- 1> if T_delay_modeB is running;
 - 2> deliver the received RLP SDU to upper layers;
- 1> else
 - 2> submit the received RLP SDU without any modification of the IP header to the RLP SAP for transmission in uplink.

NOTE: When CDMA2000_INITIATED is FALSE or when T_delay_modeB is running, the UE may send RLP SDUs in uplink upon initiation from upper layers.

5.4.4.9 Expiry of T_delay_modeB timer when UE is in CDMA2000 mode

When timer T_delay_modeB expires when UE is operating in CDMA2000 mode and has UE Test Loop Mode B active then the UE shall not take any action.

5.4.4.10 Establishment of the RRC/RR connection in E-UTRA, UTRA, GSM/GPRS and CDMA2000 mode

When the RRC or the RR connection and one or more EPS bearers are established, in E-UTRA, UTRA, GSM/GPRS and CDMA2000 mode then the UE shall:

- 1> if TEST_LOOP_MODE_B_ACTIVE is set to TRUE;
- 2> perform the UE actions for UE Test Loop Mode B operation as specified in subclause 5.4.4 and 5.4.4.1 to 5.4.4.11.

5.4.4.11 Release of RRC/RR connection in E-UTRA, UTRA, GSM/GPRS and CDMA2000 mode after T_delay_modeB timer has expired

When the RRC or the RR connection is released in E-UTRA, UTRA, GSM/GPRS and CDMA2000 mode then the UE shall:

- 1> if UE test loop mode B is active; and
- 1> if BUFFER_IP_PDUs is TRUE or T_delay_modeB timer is running:
 - 2> keep UE test loop mode B active
- 1> else
 - 2> the UE behaviour is unspecified.

5.4.5 Open UE test loop

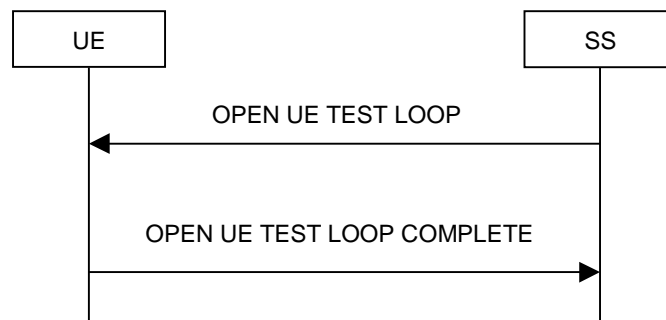


Figure 5.4.5-1: Open UE test loop procedure

5.4.5.1 General

The SS uses the procedure open UE test loop to deactivate the UE test loop function in the UE.

5.4.5.2 Initiation

The SS requests the UE to open all closed test loops by transmitting an OPEN UE TEST LOOP message.

5.4.5.3 Reception of OPEN UE TEST LOOP message by the UE

When UE receives the OPEN UE TEST LOOP message then the UE shall:

- 1> If no test loops are closed:

- 2> the UE behaviour is unspecified;
- 1> else if one or more test loops are closed:
 - 2> open all test loops;
 - 2> if TEST_LOOP_MODE_B_ACTIVE is TRUE
 - 3> set TEST_LOOP_MODE_B_ACTIVE to FALSE
 - 2> send OPEN UE TEST LOOP COMPLETE message;

NOTE: The UE test mode is still active so the UE continues behaving as described in 5.3.2.3

6 Message definitions and contents

In this clause, only TC protocol messages are described. TC messages are intended to be sent using the *DLInformationTransfer* and *ULInformationTransfer* procedures, see TS 36.331 [25], sub clause 5.6.1 and 5.6.2.

NOTE 1: A message received with skip indicator different from 0 will be ignored.

NOTE 2: For general definition of Layer 3 message format see TS 24.007 [5], clause 11.

NOTE 3: E-UTRA, UTRA and GSM/GPRS test control messages uses the same protocol discriminator value ("1111"). Following message type value series are reserved for GSM/GPRS testing commands as specified by TS 44.014 [33]: 0000xxxx, 0001xxxx and 0010xxxx where x represent 0 or 1. Following message type value series are reserved for UTRA testing commands as specified by TS 34.109 [11]: 0100xxxx where x represent 0 or 1. For E-UTRA test commands the message type value series 1000xxxx is reserved.

6.1 CLOSE UE TEST LOOP

This message is only sent in the direction SS to UE.

Information Element	Reference	Presence	Format	Length
Protocol discriminator	TS 24.007 [5], sub clause 11.2.3.1.1	M	V	½
Skip indicator	TS 24.007 [5], sub clause 11.2.3.1.2	M	V	½
Message type		M	V	1
UE test loop mode		M	V	1
UE test loop mode A LB setup		CV-ModeA	LV	1-25
UE test loop mode B LB setup		CV-ModeB	V	1

Condition	Explanation
CV-ModeA	This IE is mandatory present if the IE "UE test loop mode " is set to UE test loop Mode A. Else it shall be absent.
CV-ModeB	This IE is mandatory present if the IE "UE test loop mode " is set to UE test loop Mode B. Else it shall be absent.

where message type is:

8	7	6	5	4	3	2	1	bit no.
1	0	0	0	0	0	0	0	octet 1

where UE test loop mode is:

8	7	6	5	4	3	2	1	bit no.
0	0	0	0	0	0	X2	X1	octet 1

X2=0 and X1=0 then UE test loop mode A is selected.

X2=0 and X1=1 then UE test loop mode B is selected.

Other combinations of X1 and X2 are reserved for future versions of the protocol.

where UE test loop mode A LB setup is:

	8	7	6	5	4	3	2	1	
	Length of UE test loop mode A LB setup list in bytes								Octet 1
	LB setup list								Octet 2
									Octet N*3+1

N is the number of LB entities in the LB setup list and is less than or equal to MAX_ModeA_LB_entities.

where LB setup list is:

	8	7	6	5	4	3	2	1	
	LB setup DRB IE#1								Octet 2 Octet 3 Octet 4
	LB setup DRB IE#2								Octet 5 Octet 6 Octet 7
	...								
	LB setup DRB IE#N								Octet N*3-1 Octet N*3 Octet N*3+1

where LB Setup DRB#k IE is:

8	7	6	5	4	3	2	1	bit no.
Z15	Z14	Z13	Z12	Z11	Z10	Z9	Z8	octet 1
Z7	Z6	Z5	Z4	Z3	Z2	Z1	Z0	octet 2
Reserved			Q4	Q3	Q2	Q1	Q0	octet 3

Z15..Z0 = Uplink PDCP SDU size in bits 0.. 12160 (binary coded, Z15 is most significant bit and Z0 least significant bit). See Note 1.

Q4..Q0 = Data Radio Bearer identity number, 1..32 (binary coded value of "DRB-Identity" -1, Q4 is most significant bit and Q0 least significant bit), where Data Radio Bearer identity identifies the radio bearer, see TS 36.331 [25].

NOTE 1: The UL PDCP SDU size is limited to 12160 bits (1520 octets).

NOTE 2: A "LB Setup DRB IE" is only needed for a DRB if UL PDCP SDU scaling is needed. If there is no "LB Setup DRB IE" associated with a DRB in the CLOSE UE TEST LOOP message then the same size of the PDCP SDU received in downlink is returned in uplink.

NOTE 3: The UL PDCP SDU size shall be byte aligned (i.e. multiple of 8 bits) according to TS 36.323 [24] clause 6.2.1.

And where UE test loop mode B setup is:

	8	7	6	5	4	3	2	1	
	IP PDU delay								Octet 1

Where

8	7	6	5	4	3	2	1	bit no.
T7	Z6	T5	T4	T3	T2	T1	T0	octet 1

T7..T0 = value of T_delay_modeB timer 0..255 seconds (binary coded, T7 is most significant bit and T0 least significant bit).

NOTE: For E-UTRAN to CDMA2000 test cases, the SS should not sent any downlink U-plane data in E-UTRAN after sending a CLOSE UE TEST LOOP message with an IP PDU delay parameter set to value different from zero. In CDMA2000, the T_delay_modeB timer is not used to buffer downlink U-plane data, and at expiry of this timer, if there are buffered data received while in E-UTRAN, it is not specified what the UE will do with these data. See clause 7.3 for the definition of the T_delay_modeB timer.

6.2 CLOSE UE TEST LOOP COMPLETE

This message is only sent in the direction UE to SS.

Information Element	Reference	Presence	Format	Length
Protocol discriminator	TS 24.007 [5], sub clause 11.2.3.1.1	M	V	1/2
Skip indicator	TS 24.007 [5], sub clause 11.2.3.1.2	M	V	1/2
Message type		M	V	1

where message type is:

8	7	6	5	4	3	2	1	bit no.
1	0	0	0	0	0	0	1	octet 1

6.3 OPEN UE TEST LOOP

This message is only sent in the direction SS to UE.

Information Element	Reference	Presence	Format	Length
Protocol discriminator	TS 24.007 [5], sub clause 11.2.3.1.1	M	V	1/2
Skip indicator	TS 24.007 [5], sub clause 11.2.3.1.2	M	V	1/2
Message type		M	V	1

where message type is:

8	7	6	5	4	3	2	1	bit no.
1	0	0	0	0	0	1	0	octet 1

6.4 OPEN UE TEST LOOP COMPLETE

This message is only sent in the direction UE to SS.

Information Element	Reference	Presence	Format	Length
Protocol discriminator	TS 24.007 [5], sub clause 11.2.3.1.1	M	V	1/2
Skip indicator	TS 24.007 [5], sub clause 11.2.3.1.2	M	V	1/2
Message type		M	V	1

where message type is:

8	7	6	5	4	3	2	1	bit no.
1	0	0	0	0	0	1	1	octet 1

6.5 ACTIVATE TEST MODE

This message is only sent in the direction SS to UE.

Information Element	Reference	Presence	Format	Length
Protocol discriminator	TS 24.007 [5], sub clause 11.2.3.1.1	M	V	½
Skip indicator	TS 24.007 [5], sub clause 11.2.3.1.2	M	V	½
Message type		M	V	1
UE test loop mode		M	V	1

where message type is:

8	7	6	5	4	3	2	1	bit no.
1	0	0	0	0	1	0	0	octet 1

And where UE test loop mode is specified in clause 6.1.

NOTE: No specific UE action is currently specified upon reception of the "UE test loop mode" IE.

6.6 ACTIVATE TEST MODE COMPLETE

This message is only sent in the direction UE to SS.

Information Element	Reference	Presence	Format	Length
Protocol discriminator	TS 24.007 [5], sub clause 11.2.3.1.1	M	V	½
Skip indicator	TS 24.007 [5], sub clause 11.2.3.1.2	M	V	½
Message type		M	V	1

where message type is:

8	7	6	5	4	3	2	1	bit no.
1	0	0	0	0	1	0	1	octet 1

6.7 DEACTIVATE TEST MODE

This message is only sent in the direction SS to UE.

Information Element	Reference	Presence	Format	Length
Protocol discriminator	TS 24.007 [5], sub clause 11.2.3.1.1	M	V	½
Skip indicator	TS 24.007 [5], sub clause 11.2.3.1.2	M	V	½
Message type		M	V	1

where message type is:

8	7	6	5	4	3	2	1	bit no.
1	0	0	0	0	1	1	0	octet 1

6.8 DEACTIVATE TEST MODE COMPLETE

This message is only sent in the direction UE to SS.

Information Element	Reference	Presence	Format	Length
Protocol discriminator	TS 24.007 [5], sub clause 11.2.3.1.1	M	V	½
Skip indicator	TS 24.007 [5], sub clause 11.2.3.1.2	M	V	½
Message type		M	V	1

where message type is:

8	7	6	5	4	3	2	1	bit no.
1	0	0	0	0	1	1	1	octet 1

6.9 RESET UE POSITIONING STORED INFORMATION

This message is only sent in the direction SS to UE.

FFS

Editor's note: It is FFS if procedure for reset of UE positioning stored information will be included.

7 Variables, constants and timers

7.1 State variables

BUFFER_IP_PDUs

This boolean state variable is used to control if UE is to buffer IP PDUs or not.

TEST_LOOP_MODE_B_ACTIVE

This boolean state variable is used to indicate if UE test loop mode B is active. TEST_LOOP_MODE_B_ACTIVE shall be set to FALSE when UE is switched on.

CDMA2000_INITIATED

This boolean state variable is used to indicate if IP control signalling was initiated by the network on CDMA2000.

7.2 Constants

MAX_ModeA_LB_entities = 8.

7.3 Timers

T_delay_modeB

In E-UTRAN, UTRAN and GERAN, this timer is used to delay the transmission of the first IP PDU when UE test loop function is operated in UE test loop mode B. In CDMA2000, this timer is used to temporarily interrupt UE test loop mode B operation so as to allow IP control signalling required before data transmission. The timer value is configured by the UE test loop mode B setup IE in the CLOSE UE TEST LOOP message.

7.4 Configurable parameters

DRB_ID(LB_ID)

This parameter is used by the UE when operating in UE test loop mode A to map a bi-directional Data Radio bearer to a loopback entity. LB_ID = 0.. (MAX_ModeA_LB_entities-1). The value is configured when UE receives the CLOSE UE TEST LOOP message DRB_ID(LB_ID)=0 indicate that no DRB is mapped to the loopback identity.

UL_PDCP_SDU_scaling(LB_ID)

This parameter is used to enable/disable scaling of UL PDCP SDU size. If UL_PDCP_SDU_scaling is set to TRUE then scaling based on UL_PDCP_SDU_size(LB_ID) parameter is performed, otherwise no scaling is done (UL PDCP SDU size is equal to received DL PDCP SDU size). The value is configured by the UE test loop mode A setup IE in the CLOSE UE TEST LOOP message.

UL_PDCP_SDU_size(LB_ID)

This parameter is used to set the UL PDCP SDU size for returned UL PDCP SDUs on the data radio bearer with data radio bearer ID equal to DRB_ID(LB_ID). This parameter is only applicable for UE test loop mode A and when state variable UL_PDCP_SDU_scaling(LB_ID) is TRUE. The value is configured by the UE test loop mode A setup IE in the CLOSE UE TEST LOOP message.

8 Electrical Man Machine Interface (EMMI)

The EMMI is used for automation of conformance testing. The commands used on the EMMI by the System Simulator, shall be limited to those specified in TS 36.523-3 [32]. An illustration is given in figure 8-1 as an example.

At the System Simulator side, the logical EMMI using mandatory AT commands shall interface with the Main Test Component (MTC) of TTCN test cases which hosts the Upper Tester. The physical EMMI interface towards the UE may be for example a standard USB interface. Other interfaces of proprietary or standardized type shall not be precluded.

At the UE side an adapter needs to be provided by the UE manufacturer for converting the commands into the UE manufacturer specific interface and format.

The use of EMMI is optional for the UE.

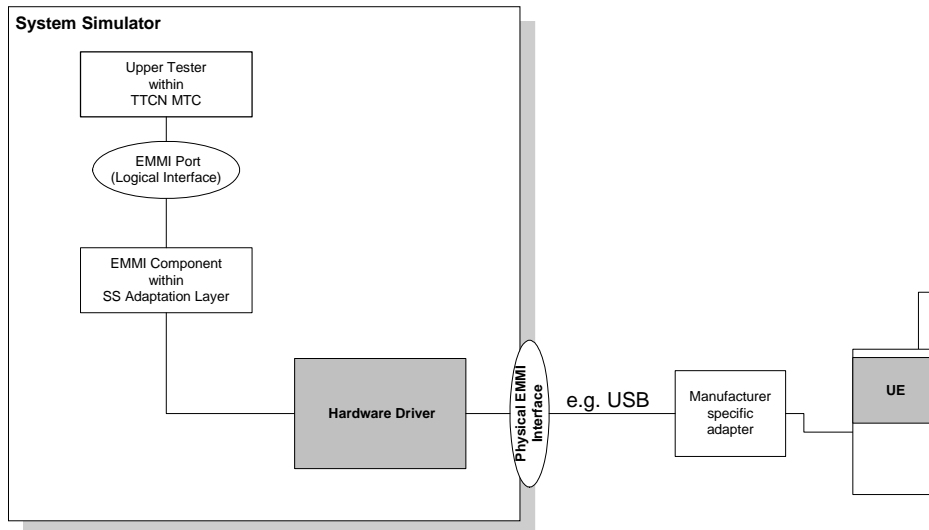


Figure 8-1: An example of EMMI and its use for automation of signalling testing

Annex A (informative): Void

Void.

Annex B (informative): Change history

Change history							
Date	TSG #	TSG Doc.	CR	Rev	Subject/Comment	Old	New
2008-01	RAN5 #38	R5-080327			Initial skeleton proposal	-	-
2008-05	RAN5 #39	R5-081117			First draft (text proposal)	-	0.0.1
2008-05	RAN5 #39	R5-081343			Outcome of RAN5 #39 meeting agreements	0.0.1	0.1.0
2008-08	RAN5 #40	R5-083498			Outcome of RAN5 #40 meeting agreements	0.1.0	1.0.0
2008-10	RAN5 #40"bis"	R5-084269			Outcome of RAN5 #40"bis" meeting agreements	1.0.0	1.1.0
2008-11	RAN5 #41	R5-085324			Outcome of RAN5 #41 meeting agreements	1.1.0	Draft 2.0.0
2008-11	RAN5 #41	R5-085526			Outcome of post-RAN5 #41 email agreements	Draft 2.0.0	2.0.0
2008-12	RAN#42	R5-080885			Approval of version 2.0.0 at RAN#42, then put to version 8.0.0.	2.0.0	8.0.0
2009-01	-	-			Editorial corrections.	8.0.0	8.0.1
2009-03	RAN#43	R5-086335	0001	-	Corrections to 36.509	8.0.1	8.1.0
2009-03	RAN#43	R5-086371	0002	-	Correction to 36.509 v8.0.0	8.0.1	8.1.0
2009-03	RAN#43	R5-090433	0003	-	Update of Abbreviations in 36.509	8.0.1	8.1.0
2009-03	RAN#43	R5-090700	0004	-	Corrections to 36.509	8.0.1	8.1.0
2009-04	RAN5#43	R5-092315	0005	-	Corrections to section 6 of 36.509.	8.1.0	8.2.0
2009-04	RAN5#43	R5-092361	0006	-	Clarification to TS 36.509	8.1.0	8.2.0
2009-04	RAN5#43	R5-092511	0007	-	Corrections and clarifications to TS 36.509	8.1.0	8.2.0
2009-04	RAN5#43	R5-092766	0008	-	Support of mandatory AT commands via EMMI	8.1.0	8.2.0
2009-08	RAN5#44	R5-094063	0009	-	Clarification on UL data in UE test loop mode	8.2.0	8.3.0
2009-08	RAN5#44	R5-094181	0010	-	Editorial and More corrections to TS 36.509	8.2.0	8.3.0
2009-08	RAN5#44	R5-094309	0011	-	Clarification to TS 36.509 activation and de-activation of UE Test Mode	8.2.0	8.3.0
2009-10	RAN5#45	R5-096062	0012	-	Clarification on encoding of DRB Identity in LB setup DRB IE	8.3.0	8.4.0
2009-10	RAN5#45	R5-096711	0013	3	IP control signalling in UE test mode	8.3.0	8.4.0
2010-03	RAN5#46	R5-100616	0014	-	Clarification of UL and DL PDCP SDU size	8.4.0	8.5.0
2010-03	RAN#47	-	-	-	Moved to v9.0.0 with no change	8.5.0	9.0.0

History

Document history		
V9.0.0	April 2010	Publication