

# ETSI TS 137 141 V12.5.0 (2014-10)



**Digital cellular telecommunications system (Phase 2+);  
Universal Mobile Telecommunications System (UMTS);  
LTE;  
E-UTRA, UTRA and GSM/EDGE;  
Multi-Standard Radio (MSR) Base Station (BS)  
conformance testing  
(3GPP TS 37.141 version 12.5.0 Release 12)**



---

**Reference**

RTS/TSGR-0437141vc50

---

**Keywords**

GSM,LTE,UMTS

**ETSI**

---

650 Route des Lucioles  
F-06921 Sophia Antipolis Cedex - FRANCE

Tel.: +33 4 92 94 42 00 Fax: +33 4 93 65 47 16

Siret N° 348 623 562 00017 - NAF 742 C  
Association à but non lucratif enregistrée à la  
Sous-Préfecture de Grasse (06) N° 7803/88

---

**Important notice**

The present document can be downloaded from:

<http://www.etsi.org>

The present document may be made available in electronic versions and/or in print. The content of any electronic and/or print versions of the present document shall not be modified without the prior written authorization of ETSI. In case of any existing or perceived difference in contents between such versions and/or in print, the only prevailing document is the print of the Portable Document Format (PDF) version kept on a specific network drive within ETSI Secretariat.

Users of the present document should be aware that the document may be subject to revision or change of status. Information on the current status of this and other ETSI documents is available at

<http://portal.etsi.org/tb/status/status.asp>

If you find errors in the present document, please send your comment to one of the following services:

[http://portal.etsi.org/chaicor/ETSI\\_support.asp](http://portal.etsi.org/chaicor/ETSI_support.asp)

---

**Copyright Notification**

No part may be reproduced or utilized in any form or by any means, electronic or mechanical, including photocopying and microfilm except as authorized by written permission of ETSI.

The content of the PDF version shall not be modified without the written authorization of ETSI.

The copyright and the foregoing restriction extend to reproduction in all media.

© European Telecommunications Standards Institute 2014.

All rights reserved.

**DECT™**, **PLUGTESTS™**, **UMTS™** and the ETSI logo are Trade Marks of ETSI registered for the benefit of its Members. **3GPP™** and **LTE™** are Trade Marks of ETSI registered for the benefit of its Members and of the 3GPP Organizational Partners.

**GSM®** and the GSM logo are Trade Marks registered and owned by the GSM Association.

---

## Intellectual Property Rights

IPRs essential or potentially essential to the present document may have been declared to ETSI. The information pertaining to these essential IPRs, if any, is publicly available for **ETSI members and non-members**, and can be found in ETSI SR 000 314: *"Intellectual Property Rights (IPRs); Essential, or potentially Essential, IPRs notified to ETSI in respect of ETSI standards"*, which is available from the ETSI Secretariat. Latest updates are available on the ETSI Web server (<http://ipr.etsi.org>).

Pursuant to the ETSI IPR Policy, no investigation, including IPR searches, has been carried out by ETSI. No guarantee can be given as to the existence of other IPRs not referenced in ETSI SR 000 314 (or the updates on the ETSI Web server) which are, or may be, or may become, essential to the present document.

---

## Foreword

This Technical Specification (TS) has been produced by ETSI 3rd Generation Partnership Project (3GPP).

The present document may refer to technical specifications or reports using their 3GPP identities, UMTS identities or GSM identities. These should be interpreted as being references to the corresponding ETSI deliverables.

The cross reference between GSM, UMTS, 3GPP and ETSI identities can be found under <http://webapp.etsi.org/key/queryform.asp>.

---

## Modal verbs terminology

In the present document "**shall**", "**shall not**", "**should**", "**should not**", "**may**", "**may not**", "**need**", "**need not**", "**will**", "**will not**", "**can**" and "**cannot**" are to be interpreted as described in clause 3.2 of the [ETSI Drafting Rules](#) (Verbal forms for the expression of provisions).

"**must**" and "**must not**" are **NOT** allowed in ETSI deliverables except when used in direct citation.

# Contents

|  |    |
|--|----|
| Intellectual Property Rights .....   | 2  |
| Foreword.....  | 2  |
| Modal verbs terminology.....   | 2  |
| Foreword.....  | 10 |
| 1 Scope .....  | 11 |
| 2 References .....   | 11 |
| 3 Definitions, symbols and abbreviations .....   | 12 |
| 3.1 Definitions .....  | 12 |
| 3.2 Symbols.....   | 15 |
| 3.3 Abbreviations .....  | 17 |
| 4 General test conditions and declarations .....   | 18 |
| 4.1 Measurement uncertainties and test requirements .....  | 18 |
| 4.1.1 General.....   | 18 |
| 4.1.2 Acceptable uncertainty of Test System.....   | 18 |
| 4.1.2.1 Measurement of transmitter .....   | 19 |
| 4.1.2.2 Measurement of receiver .....  | 20 |
| 4.1.3 Interpretation of measurement results .....  | 21 |
| 4.2 Base Station classes .....   | 22 |
| 4.3 Regional requirements.....   | 22 |
| 4.4 Operating bands and band categories .....  | 23 |
| 4.4.1 Band category 1 aspects (BC1).....   | 26 |
| 4.4.2 Band category 2 aspects (BC2).....   | 26 |
| 4.4.3 Band category 3 aspects (BC3).....   | 26 |
| 4.5 Channel arrangement.....   | 27 |
| 4.5.1 Channel spacing.....   | 27 |
| 4.5.1A CA Channel spacing .....  | 27 |
| 4.5.2 Channel raster .....   | 27 |
| 4.5.3 Carrier frequencies and numbering.....   | 27 |
| 4.6 Manufacturer's declarations of regional and optional requirements .....                        | 28 |
| 4.6.1 Operating band and frequency range .....   | 28 |
| 4.6.2 Spurious emissions category .....  | 28 |
| 4.6.3 Additional operating band unwanted emissions .....   | 28 |
| 4.6.4 Co-existence with other systems.....   | 29 |
| 4.6.5 Co-location with other Base Stations.....  | 29 |
| 4.7 Capability set definition and manufacturer's declarations of supported RF configurations ..... | 29 |
| 4.7.1 Definition of Capability Sets (CS).....  | 29 |
| 4.7.2 Manufacturer's declarations of supported RF configurations .....                             | 30 |
| 4.8 MSR test configurations .....  | 32 |
| 4.8.1 TC1: UTRA multicarrier operation .....   | 33 |
| 4.8.1.1 TC1a generation.....   | 33 |
| 4.8.1.2 TC1b generation.....   | 33 |
| 4.8.1.3 TC1 power allocation.....  | 33 |
| 4.8.1a NTC1: UTRA multicarrier non-contiguous operation .....                                      | 33 |
| 4.8.1a.1 NTC1a generation.....   | 33 |
| 4.8.1a.2 NTC1 power allocation .....   | 34 |
| 4.8.2 TC2: E-UTRA multicarrier operation.....  | 34 |
| 4.8.2.1 TC2 generation.....  | 34 |
| 4.8.2.2 TC2 power allocation.....  | 34 |
| 4.8.2a NTC2: E-UTRA multicarrier non-contiguous operation .....                                    | 34 |
| 4.8.2a.1 NTC2 generation.....  | 34 |
| 4.8.2a.2 NTC2 power allocation .....   | 35 |
| 4.8.3 TC3: UTRA and E-UTRA multi RAT operation.....  | 35 |
| 4.8.3.1 TC3a generation.....   | 35 |

|           |   |    |
|-----------|---|----|
| 4.8.3.2   | TC3b generation.....  | 35 |
| 4.8.3.3   | TC3 power allocation.....   | 35 |
| 4.8.3a    | NTC3: UTRA and E-UTRA multi RAT non-contiguous operation.....                       | 36 |
| 4.8.3a.1  | NTC3a generation.....   | 36 |
| 4.8.3a.2  | NTC3 power allocation.....  | 36 |
| 4.8.4     | TC4: BC2 transmitter operation.....   | 36 |
| 4.8.4.1   | TC4a generation.....  | 37 |
| 4.8.4.2   | TC4b generation.....  | 37 |
| 4.8.4.3   | TC4c generation.....  | 37 |
| 4.8.4.4   | TC4d generation.....  | 38 |
| 4.8.4.5   | TC4e generation.....  | 38 |
| 4.8.4.6   | TC4 power allocation.....   | 38 |
| 4.8.4a    | NTC4: Non-contiguous multi RAT operations with GSM for the transmitter.....         | 38 |
| 4.8.4a.1  | NTC4a generation.....   | 39 |
| 4.8.4a.2  | NTC4b generation.....   | 39 |
| 4.8.4a.3  | NTC4c generation.....   | 40 |
| 4.8.4a.4  | NTC4 power allocation.....  | 41 |
| 4.8.5     | TC5: BC2 receiver operation.....  | 41 |
| 4.8.5.1   | TC5a generation.....  | 41 |
| 4.8.5.2   | TC5b generation.....  | 41 |
| 4.8.5a    | NTC5: Non-contiguous multi RAT operations with GSM for the receiver.....            | 41 |
| 4.8.5a.1  | NTC5a generation.....   | 41 |
| 4.8.5a.2  | NTC5b generation.....   | 41 |
| 4.8.5a.3  | NTC5c generation.....   | 42 |
| 4.8.6     | TC6: Single carrier for receiver tests.....   | 42 |
| 4.8.6.1   | TC6a generation.....  | 42 |
| 4.8.6.2   | TC6b generation.....  | 42 |
| 4.8.6.3   | TC6c generation.....  | 42 |
| 4.8.7     | Generation of MB-MSR test configurations.....                                       | 42 |
| 4.8.7.1   | TC7a: MB-MSR test configuration for full carrier allocation.....                    | 42 |
| 4.8.7.1.1 | TC7a generation.....  | 42 |
| 4.8.7.1.2 | TC7a power allocation.....  | 43 |
| 4.8.7.2   | TC7b: MB-MSR test configuration with high PSD per carrier.....                      | 43 |
| 4.8.7.2.1 | TC7b generation.....  | 43 |
| 4.8.7.2.2 | TC7b power allocation.....  | 44 |
| 4.8.7.3   | TC7c: MB-MSR test configuration with GSM/EDGE single RAT operation in one band..... | 44 |
| 4.8.7.3.1 | TC7c generation.....  | 44 |
| 4.8.7.3.2 | TC7c power allocation.....  | 45 |
| 4.9       | RF channels and test models.....  | 45 |
| 4.9.1     | RF channels.....  | 45 |
| 4.9.2     | Test models.....  | 46 |
| 4.10      | BS configurations.....  | 47 |
| 4.10.1    | Transmit configurations.....  | 47 |
| 4.10.1.1  | Transmission with multiple transmitter antenna connectors.....                      | 47 |
| 4.10.2    | Receive configurations.....   | 47 |
| 4.10.2.1  | Reception with multiple receiver antenna connectors, receiver diversity.....        | 48 |
| 4.10.3    | Duplexers.....  | 48 |
| 4.10.4    | Power supply options.....   | 48 |
| 4.10.5    | Ancillary RF amplifiers.....  | 48 |
| 4.10.6    | BS with integrated Iuant BS modem.....  | 49 |
| 4.10.7    | BS using antenna arrays.....  | 49 |
| 4.10.7.1  | Receiver tests.....   | 49 |
| 4.10.7.2  | Transmitter tests.....  | 50 |
| 4.11      | Format and interpretation of tests.....   | 50 |
| 4.12      | Requirements for BS capable of multi-band operation.....                            | 51 |
| 5         | Applicability of requirements and test configurations.....                          | 51 |
| 5.1       | Multi-RAT capable Base Stations.....  | 53 |
| 5.2       | Single-RAT Multi-carrier capable Base Stations.....                                 | 57 |
| 5.3       | Multi-band capable Base Stations.....   | 61 |
| 6         | Transmitter characteristics.....  | 63 |

|           |   |    |
|-----------|---|----|
| 6.1       | General .....                           | 63 |
| 6.2       | Base Station output power .....         | 63 |
| 6.2.1     | Base Station maximum output power ..... | 63 |
| 6.2.1.1   | Definition and applicability .....      | 63 |
| 6.2.1.2   | Minimum requirement .....               | 63 |
| 6.2.1.3   | Test purpose .....                      | 63 |
| 6.2.1.4   | Method of test .....                    | 64 |
| 6.2.1.4.1 | Initial conditions .....                | 64 |
| 6.2.1.4.2 | Procedure .....                         | 64 |
| 6.2.1.5   | Test requirements .....                 | 64 |
| 6.2.2     | E-UTRA DL RS power .....                | 64 |
| 6.2.2.1   | Definition and applicability .....      | 64 |
| 6.2.2.2   | Minimum requirement .....               | 64 |
| 6.2.2.3   | Test purpose .....                      | 65 |
| 6.2.2.4   | Method of test .....                    | 65 |
| 6.2.2.5   | Test requirements .....                 | 65 |
| 6.2.3     | UTRA FDD primary CPICH power .....      | 65 |
| 6.2.3.1   | Definition and applicability .....      | 65 |
| 6.2.3.2   | Minimum requirement .....               | 65 |
| 6.2.3.3   | Test purpose .....                      | 65 |
| 6.2.3.4   | Method of test .....                    | 65 |
| 6.2.3.5   | Test requirements .....                 | 65 |
| 6.2.3A    | UTRA FDD secondary CPICH power .....    | 66 |
| 6.2.3A.1  | Definition and applicability .....      | 66 |
| 6.2.3A.2  | Minimum requirement .....               | 66 |
| 6.2.3A.3  | Test purpose .....                      | 66 |
| 6.2.3A.4  | Method of test .....                    | 66 |
| 6.2.3A.5  | Test requirements .....                 | 66 |
| 6.2.4     | UTRA TDD primary CCPCH power .....      | 66 |
| 6.2.4.1   | Definition and applicability .....      | 66 |
| 6.2.4.2   | Minimum requirement .....               | 66 |
| 6.2.4.3   | Test purpose .....                      | 66 |
| 6.2.4.4   | Method of test .....                    | 66 |
| 6.2.4.5   | Test requirements .....                 | 67 |
| 6.3       | Output power dynamics .....             | 67 |
| 6.3.1     | Definition and applicability .....      | 67 |
| 6.3.2     | Minimum Requirement .....               | 67 |
| 6.3.3     | Test purpose .....                      | 67 |
| 6.3.4     | Method of test .....                    | 67 |
| 6.3.5     | Test Requirement .....                  | 67 |
| 6.4       | Transmit ON/OFF power .....             | 68 |
| 6.4.1     | Definition and applicability .....      | 68 |
| 6.4.2     | Minimum Requirement .....               | 68 |
| 6.4.3     | Test purpose .....                      | 68 |
| 6.4.4     | Method of test .....                    | 68 |
| 6.4.4.1   | Initial conditions .....                | 68 |
| 6.4.4.2   | Procedure .....                         | 69 |
| 6.4.5     | Test requirement .....                  | 69 |
| 6.5       | Transmitted signal quality .....        | 69 |
| 6.5.1     | Modulation quality .....                | 69 |
| 6.5.1.1   | Definition and applicability .....      | 69 |
| 6.5.1.2   | Minimum Requirement .....               | 69 |
| 6.5.1.3   | Test purpose .....                      | 69 |
| 6.5.1.4   | Method of test .....                    | 69 |
| 6.5.1.4.1 | Initial conditions .....                | 69 |
| 6.5.1.4.2 | Procedure .....                         | 70 |
| 6.5.1.5   | Test Requirements .....                 | 70 |
| 6.5.1.5.1 | E-UTRA test requirement .....           | 70 |
| 6.5.1.5.2 | UTRA FDD test requirement .....         | 70 |
| 6.5.1.5.3 | UTRA TDD test requirement .....         | 70 |
| 6.5.1.5.4 | GSM/EDGE test requirement .....         | 70 |
| 6.5.2     | Frequency error .....                   | 70 |

|             |  |     |
|-------------|--|-----|
| 6.5.2.1     | Definition and applicability.....                            | 70  |
| 6.5.2.2     | Minimum Requirement .....                                    | 71  |
| 6.5.2.3     | Test purpose .....   | 71  |
| 6.5.2.4     | Method of test .....   | 71  |
| 6.5.2.5     | Test Requirements.....                                       | 71  |
| 6.5.2.5.1   | E-UTRA test requirement.....                                 | 71  |
| 6.5.2.5.2   | UTRA FDD test requirement .....                              | 71  |
| 6.5.2.5.3   | UTRA TDD test requirement .....                              | 71  |
| 6.5.2.5.4   | GSM/EDGE test requirement.....                               | 71  |
| 6.5.3       | Time alignment error .....                                   | 71  |
| 6.5.3.1     | Definition and applicability.....                            | 71  |
| 6.5.3.2     | Minimum requirement .....                                    | 71  |
| 6.5.3.3     | Test purpose .....   | 71  |
| 6.5.3.4     | Method of test .....   | 72  |
| 6.5.3.5     | Test requirement .....                                       | 72  |
| 6.6         | Unwanted emissions.....                                      | 72  |
| 6.6.1       | Transmitter spurious emissions.....                          | 72  |
| 6.6.1.1     | Definition and applicability.....                            | 72  |
| 6.6.1.2     | Minimum requirement .....                                    | 72  |
| 6.6.1.3     | Test purpose .....   | 73  |
| 6.6.1.4     | Method of test .....   | 73  |
| 6.6.1.4.1   | Initial conditions .....                                     | 73  |
| 6.6.1.4.2   | Procedure.....   | 73  |
| 6.6.1.5     | Test requirements .....                                      | 73  |
| 6.6.1.5.1   | Spurious emissions (Category A) .....                        | 74  |
| 6.6.1.5.2   | Spurious emissions (Category B) .....                        | 74  |
| 6.6.1.5.3   | Additional test requirement for BC2 (category B) .....       | 74  |
| 6.6.1.5.4   | Protection of the BS receiver of own or different BS.....    | 75  |
| 6.6.1.5.5   | Additional spurious emission requirements.....               | 75  |
| 6.6.1.5.6   | Co-location with other Base Stations .....                   | 80  |
| 6.6.2       | Operating band unwanted emissions .....                      | 84  |
| 6.6.2.1     | Definition and applicability.....                            | 84  |
| 6.6.2.2     | Minimum requirement .....                                    | 85  |
| 6.6.2.3     | Test purpose .....   | 85  |
| 6.6.2.4     | Method of test .....   | 85  |
| 6.6.2.4.1   | Initial conditions .....                                     | 85  |
| 6.6.2.4.2   | Procedure.....   | 85  |
| 6.6.2.5     | Test requirement .....                                       | 86  |
| 6.6.2.5.1   | Test requirements for Band Categories 1 and 3.....           | 86  |
| 6.6.2.5.2   | Test requirements for Band Category 2.....                   | 91  |
| 6.6.2.5.3   | Test requirements for GSM/EDGE single-RAT requirements ..... | 96  |
| 6.6.2.5.4   | Test requirements for additional requirements .....          | 96  |
| 6.6.2.5.4.1 | Limits in FCC Title 47.....                                  | 96  |
| 6.6.2.5.4.2 | Unsynchronized operation for BC3 .....                       | 96  |
| 6.6.2.5.4.3 | Protection of DTT.....                                       | 96  |
| 6.6.2.5.4.4 | Co-existence with services in adjacent frequency bands ..... | 96  |
| 6.6.3       | Occupied bandwidth .....                                     | 98  |
| 6.6.3.1     | Definition and applicability.....                            | 98  |
| 6.6.3.2     | Minimum requirements .....                                   | 98  |
| 6.6.3.3     | Test purpose .....   | 98  |
| 6.6.3.4     | Method of test .....   | 98  |
| 6.6.3.5     | Test requirement .....                                       | 98  |
| 6.6.4       | Adjacent Channel Leakage power Ratio (ACLR) .....            | 99  |
| 6.6.4.1     | Definition and applicability.....                            | 99  |
| 6.6.4.2     | Minimum requirement .....                                    | 99  |
| 6.6.4.3     | Test purpose .....   | 99  |
| 6.6.4.4     | Method of test .....   | 99  |
| 6.6.4.4.1   | Initial conditions .....                                     | 99  |
| 6.6.4.4.2   | Procedure.....   | 99  |
| 6.6.4.5     | Test requirements.....                                       | 100 |
| 6.6.4.5.1   | E-UTRA test requirement.....                                 | 100 |
| 6.6.4.5.2   | UTRA FDD test requirement .....                              | 102 |

|           |  |     |
|-----------|--|-----|
| 6.6.4.5.3 | UTRA TDD test requirement .....                                    | 102 |
| 6.6.4.5.4 | Cumulative ACLR requirement in non-contiguous spectrum .....       | 102 |
| 6.7       | Transmitter intermodulation .....                                  | 103 |
| 6.7.1     | Definition and applicability .....                                 | 103 |
| 6.7.2     | Minimum requirement .....  | 104 |
| 6.7.2A    | Additional requirement for Band 41 .....                           | 104 |
| 6.7.3     | Test purpose.....  | 104 |
| 6.7.4     | Method of test .....   | 104 |
| 6.7.4.1   | Initial conditions .....   | 104 |
| 6.7.4.2   | Procedure .....  | 104 |
| 6.7.4.2.1 | General minimum requirement test procedure .....                   | 104 |
| 6.7.4.2.2 | Additional minimum requirement (BC1 and BC2) test procedure .....  | 105 |
| 6.7.4.2.3 | Additional minimum requirement (BC3) test procedure .....          | 106 |
| 6.7.5     | Test requirements.....   | 106 |
| 6.7.5.1   | General test requirement .....                                     | 106 |
| 6.7.5.2   | Additional test requirement (BC1 and BC2).....                     | 107 |
| 6.7.5.3   | Additional test requirement (BC3).....                             | 107 |
| 6.7.5.4   | Additional test requirement for Band 41 .....                      | 107 |
| 7         | Receiver characteristics .....                                     | 107 |
| 7.1       | General .....  | 107 |
| 7.2       | Reference sensitivity level.....                                   | 108 |
| 7.2.1     | Definition and applicability .....                                 | 108 |
| 7.2.2     | Minimum requirement .....  | 108 |
| 7.2.3     | Test purpose.....  | 108 |
| 7.2.4     | Method of test .....   | 108 |
| 7.2.5     | Test requirements.....   | 108 |
| 7.3       | Dynamic range .....  | 108 |
| 7.3.1     | Definition and applicability .....                                 | 108 |
| 7.3.2     | Minimum requirement .....  | 108 |
| 7.3.3     | Test purpose.....  | 109 |
| 7.3.4     | Method of test .....   | 109 |
| 7.3.5     | Test requirements.....   | 109 |
| 7.4       | In-band selectivity and blocking .....                             | 109 |
| 7.4.1     | Definition and applicability .....                                 | 109 |
| 7.4.2     | Minimum requirement .....  | 109 |
| 7.4.3     | Test purpose.....  | 109 |
| 7.4.4     | Method of test .....   | 109 |
| 7.4.4.1   | Initial conditions .....   | 109 |
| 7.4.4.2   | Procedure for general blocking .....                               | 110 |
| 7.4.4.3   | Procedure for narrowband blocking .....                            | 110 |
| 7.4.4.4   | Procedure for additional narrowband blocking for GSM/EDGE .....    | 111 |
| 7.4.4.5   | Procedure for GSM/EDGE AM suppression .....                        | 111 |
| 7.4.4.6   | Procedure for additional BC3 blocking requirement.....             | 111 |
| 7.4.5     | Test requirements.....   | 111 |
| 7.4.5.1   | General blocking test requirement .....                            | 111 |
| 7.4.5.2   | General narrowband blocking test requirement .....                 | 112 |
| 7.4.5.3   | Additional narrowband blocking test requirement for GSM/EDGE ..... | 113 |
| 7.4.5.4   | GSM/EDGE test requirements for AM suppression .....                | 113 |
| 7.4.5.5   | Additional BC3 blocking test requirement.....                      | 113 |
| 7.5       | Out-of-band blocking .....   | 114 |
| 7.5.1     | Definition and applicability .....                                 | 114 |
| 7.5.2     | Minimum requirement .....  | 114 |
| 7.5.3     | Test purpose.....  | 114 |
| 7.5.4     | Method of test .....   | 114 |
| 7.5.4.1   | Initial conditions .....   | 114 |
| 7.5.4.2   | Procedure .....  | 115 |
| 7.5.5     | Test requirements.....   | 115 |
| 7.5.5.1   | General out-of-band blocking test requirements .....               | 115 |
| 7.5.5.2   | Co-location test requirements.....                                 | 116 |
| 7.6       | Receiver spurious emissions.....                                   | 119 |
| 7.6.1     | Definition and applicability .....                                 | 119 |



|  |  |            |
|--|--|------------|
| 7.6.2  | Minimum requirements.....  | 119        |
| 7.6.3  | Test purpose.....  | 119        |
| 7.6.4  | Method of test.....  | 119        |
| 7.6.4.1  | Initial conditions .....   | 119        |
| 7.6.4.2  | Procedure .....  | 119        |
| 7.6.5  | Test requirements.....   | 119        |
| 7.6.5.1  | General test requirements.....   | 119        |
| 7.6.5.2  | Additional test requirement for BC2 (Category B) .....   | 120        |
| 7.7  | Receiver intermodulation .....   | 120        |
| 7.7.1  | Definition and applicability .....   | 120        |
| 7.7.2  | Minimum requirement .....  | 120        |
| 7.7.3  | Test purpose.....  | 121        |
| 7.7.4  | Method of test.....  | 121        |
| 7.7.4.1  | Initial conditions .....   | 121        |
| 7.7.4.2  | Procedure for general and narrowband intermodulation .....   | 121        |
| 7.7.4.3  | Procedure for additional narrowband intermodulation for GSM/EDGE.....  | 121        |
| 7.7.5  | Test requirements.....   | 122        |
| 7.7.5.1  | General intermodulation test requirement .....   | 122        |
| 7.7.5.2  | General narrowband intermodulation test requirement .....  | 123        |
| 7.7.5.3  | Additional narrowband intermodulation test requirement for GSM/EDGE.....   | 124        |
| 7.8  | In-channel selectivity .....   | 125        |
| 7.8.1  | Definition and applicability .....   | 125        |
| 7.8.2  | Minimum requirement .....  | 125        |
| 7.8.3  | Test purpose.....  | 125        |
| 7.8.4  | Method of testing .....  | 125        |
| 7.8.5  | Test requirements.....   | 125        |
| 8  | Performance requirements.....  | 125        |
| <b>Annex A (normative): Characteristics of interfering signals .....</b>               |  | <b>126</b> |
| A.1  | UTRA FDD interfering signal.....   | 126        |
| A.2  | UTRA TDD interfering signal .....  | 126        |
| A.3  | E-UTRA interfering signal.....   | 126        |
| <b>Annex B (normative): Environmental requirements for the BS equipment .....</b>      |  | <b>127</b> |
| B.1  | General .....  | 127        |
| B.2  | Normal test environment.....   | 127        |
| B.3  | Extreme test environment.....  | 127        |
| B.3.1  | Extreme temperature .....  | 127        |
| B.4  | Vibration.....   | 128        |
| B.5  | Power supply .....   | 128        |
| B.6  | Measurement of test environments.....  | 128        |
| <b>Annex C (informative): Test Tolerances and Derivation of test requirements.....</b> |  | <b>129</b> |
| C.1  | Measurement of transmitter.....  | 130        |
| C.2  | Measurement of receiver .....  | 132        |
| <b>Annex D (informative): Measurement system set-up .....</b>                          |  | <b>133</b> |
| D.1  | Transmitter .....  | 133        |
| D.1.1  | Base station output power, transmitter ON/OFF power, modulation quality, transmitter spurious emissions and operating band unwanted emissions..... | 133        |
| D.1.2  | Transmitter intermodulation.....   | 133        |
| D.2  | Receiver.....  | 134        |
| D.2.1  | Blocking characteristics .....   | 134        |

|   |  |            |
|---|--|------------|
| D.2.2   | Receiver spurious emissions.....             | 134        |
| D.2.3   | Receiver intermodulation .....               | 134        |
| <b>Annex E (normative): E-UTRA Test model for BC3 CS3 BS.....</b> |  | <b>135</b> |
| E.0   | BC3 CS3 Test model description .....         | 135        |
| E.1   | E-UTRA Test Model 1.1 (E-TM1.1_BC3CS3) ..... | 136        |
| E.2   | E-UTRA Test Model 1.2 (E-TM1.2_BC3CS3) ..... | 136        |
| E.3   | E-UTRA Test Model 2 (E-TM2_BC3CS3) .....     | 136        |
| E.4   | E-UTRA Test Model 3.1 (E-TM3.1_BC3CS3) ..... | 136        |
| E.5   | E-UTRA Test Model 3.2 (E-TM3.2_BC3CS3) ..... | 136        |
| E.6   | E-UTRA Test Model 3.3 (E-TM3.3_BC3CS3) ..... | 136        |
| <b>Annex F (informative): Change history .....</b>                |  | <b>137</b> |
|   | History .....                                | 143        |

---

# Foreword

This Technical Specification has been produced by the 3<sup>rd</sup> Generation Partnership Project (3GPP).

The contents of the present document are subject to continuing work within the TSG and may change following formal TSG approval. Should the TSG modify the contents of the present document, it will be re-released by the TSG with an identifying change of release date and an increase in version number as follows:

Version x.y.z

where:

- x the first digit:
  - 1 presented to TSG for information;
  - 2 presented to TSG for approval;
  - 3 or greater indicates TSG approved document under change control.
- y the second digit is incremented for all changes of substance, i.e. technical enhancements, corrections, updates, etc.
- z the third digit is incremented when editorial only changes have been incorporated in the document.

---

# 1 Scope

The present document specifies the Radio Frequency (RF) test methods and conformance requirements for E-UTRA, UTRA and GSM/EDGE Multi-Standard Radio (MSR) Base Station (BS). These have been derived from, and are consistent with the E-UTRA, UTRA and GSM/EDGE MSR BS specification defined in [2].

---

# 2 References

The following documents contain provisions which, through reference in this text, constitute provisions of the present document.

- References are either specific (identified by date of publication, edition number, version number, etc.) or non-specific.
- For a specific reference, subsequent revisions do not apply.
- For a non-specific reference, the latest version applies. In the case of a reference to a 3GPP document (including a GSM document), a non-specific reference implicitly refers to the latest version of that document *in the same Release as the present document*.

- [1] 3GPP TR 21.905: "Vocabulary for 3GPP Specifications".
- [2] 3GPP TS 37.104: "E-UTRA, UTRA and GSM/EDGE; Multi-Standard Radio (MSR) Base Station (BS) radio transmission and reception".
- [3] 3GPP TS 25.104: "Base Station (BS) radio transmission and reception (FDD) ".
- [4] 3GPP TS 25.105: "Base Station (BS) radio transmission and reception (TDD) ".
- [5] 3GPP TS 36.104: "Evolved Universal Terrestrial Radio Access (E-UTRA); Base Station (BS) radio transmission and reception".
- [6] 3GPP TS 45.005: "Radio transmission and reception".
- [7] ITU-R Recommendation M.1545, "Measurement uncertainty as it applies to test limits for the terrestrial component of International Mobile Telecommunications-2000".
- [8] "Title 47 of the Code of Federal Regulations (CFR)", Federal Communications Commission.
- [9] 3GPP TS 36.141: "Evolved Universal Terrestrial Radio Access (E-UTRA); Base Station (BS) conformance testing".
- [10] 3GPP TS 25.141: "Base Station (BS) conformance testing (FDD) ".
- [11] 3GPP TS 51.021: "Base Station System (BSS) equipment specification; Radio aspects".
- [12] 3GPP TS 25.142: "Base Station (BS) conformance testing (TDD) ".
- [13] Recommendation ITU-R SM.329-10, "Unwanted emissions in the spurious domain".
- [14] 3GPP TR 25.942: "Radio Frequency (RF) system scenarios".
- [15] ITU-R recommendation SM.328: "Spectra and bandwidth of emissions".
- [16] IEC 60721: "Classification of environmental conditions".
- [17] IEC 60721-3-3: "Classification of environmental conditions - Part 3-3: Classification of groups of environmental parameters and their severities - Stationary use at weather protected locations".
- [18] IEC 60721-3-4: "Classification of environmental conditions - Part 3: Classification of groups of environmental parameters and their severities - Section 4: Stationary use at non-weather protected locations".

- [19] ETSI EN 300 019-1-3, *European Standard (Telecommunications series)*, 'Environmental Engineering (EE); Environmental conditions and environmental tests for telecommunications equipment; Part 1-3: Classification of environmental conditions; Stationary use at weather protected locations'
- [20] ETSI EN 300 019-1-4, *European Standard (Telecommunications series)*, 'Environmental Engineering (EE); Environmental conditions and environmental tests for telecommunications equipment; Part 1-4: Classification of environmental conditions; Stationary use at non-weather protected locations'.
- [21] IEC 60068-2-1 (2007): "Environmental testing - Part 2: Tests. Tests A: Cold".
- [22] IEC 60068-2-2 (2007): "Environmental testing - Part 2: Tests. Tests B: Dry heat".
- [23] IEC 60068-2-6 (2007): "Environmental testing - Part 2: Tests - Test Fc: Vibration (sinusoidal)".
- [24] CEPT ECC Decision (13)03, "The harmonised use of the frequency band 1452-1492 MHz for Mobile/Fixed Communications Networks Supplemental Downlink (MFCN SDL)".

---

## 3 Definitions, symbols and abbreviations

### 3.1 Definitions

For the purposes of the present document, the terms and definitions given in TR 21.905 [1] and the following apply. A term defined in the present document takes precedence over the definition of the same term, if any, in TR 21.905 [1].

**Band category:** A group of operating bands for which the same MSR scenarios apply.

**Base Station RF bandwidth:** The bandwidth in which a Base Station transmits and/or receives multiple carriers and/or RATs simultaneously within a supported operating band.

**Base Station RF bandwidth edge:** The frequency of one of the edges of the Base Station RF bandwidth.

**Carrier:** The modulated waveform conveying the E-UTRA, UTRA or GSM/EDGE physical channels.

**Carrier aggregation:** aggregation of two or more E-UTRA component carriers in order to support wider transmission bandwidths.

**Carrier aggregation band:** a set of one or more operating bands across which multiple E-UTRA carriers are aggregated with a specific set of technical requirements.

NOTE: Carrier aggregation band(s) for an E-UTRA BS is declared by the manufacturer according to the designations in Tables 5.5-2 to 5.5-4 of TS 36.104 [5].

**Channel bandwidth:** The bandwidth supporting a single E-UTRA, UTRA or GSM/EDGE RF carrier with the transmission bandwidth configured in the uplink or downlink of a cell. The channel bandwidth is measured in MHz and is used as a reference for transmitter and receiver RF requirements.

**Contiguous carriers:** a set of two or more carriers configured in a spectrum block where there are no RF requirements based on co-existence for un-coordinated operation within the spectrum block.

**Carrier power:** The power at the antenna connector in the channel bandwidth of the carrier averaged over at least one subframe for E-UTRA, at least one slot for UTRA and the useful part of the burst for GSM/EDGE.

**Contiguous spectrum:** Spectrum consisting of a contiguous block of spectrum with no sub-block gap(s).

**Downlink operating band:** The part of the operating band designated for downlink.

**Highest Carrier:** The carrier with the highest carrier centre frequency transmitted/received in the specified operating band(s).

**Inter RF bandwidth gap:** The frequency gap between two consecutive RF bandwidths that are placed within two supported operating bands.

**Inter-band carrier aggregation:** carrier aggregation of E-UTRA component carriers in different operating bands.

NOTE: Carriers aggregated in each band can be contiguous or non-contiguous.

**Intra-band contiguous carrier aggregation:** contiguous E-UTRA carriers aggregated in the same operating band.

**Intra-band non-contiguous carrier aggregation:** non-contiguous E-UTRA carriers aggregated in the same operating band.

**Lowest Carrier:** The carrier with the lowest carrier centre frequency transmitted/received in the specified operating band(s).

**Lower RF bandwidth edge:** The frequency of the lower edge of the Base Station RF bandwidth, used as a frequency reference point for transmitter and receiver requirements.

**Lower sub-block edge:** The frequency at the lower edge of one sub-block. It is used as a frequency reference point for both transmitter and receiver requirements.

**Maximum Base Station RF bandwidth:** The maximum RF bandwidth supported by a BS within each supported operating band.

NOTE: The Maximum Base Station RF bandwidth for BS configured for contiguous and non-contiguous operation within each supported operating band is declared separately.

**Maximum carrier output power:** Carrier power available at the antenna connector for a specified reference condition.

**Maximum radio bandwidth:** Maximum frequency difference between the upper edge of the highest used carrier and the lower edge of the lowest used carrier.

**Maximum RAT output power:** The sum of the power of all carriers of the same RAT available at the antenna connector for a specified reference condition.

**Maximum throughput:** The maximum achievable throughput for a reference measurement channel.

**Maximum total output power:** The sum of the power of all carriers available at the antenna connector for a specified reference condition.

**MB-MSR Base Station:** MSR Base Station characterized by the ability of its transmitter and/or receiver to process two or more carriers in common active RF components simultaneously, where at least one carrier is configured at a different non-overlapping operating band than the other carrier(s).

**Mean power:** The power measured in the bandwidth and period of measurement applicable for each RAT

NOTE: Mean power for an E-UTRA carrier is defined in TS 36.141 [9] and mean power for a UTRA carrier is defined in TS 25.141 [10]. In case of multiple carriers, the mean power is the sum of the mean power of all carriers.

**Measurement bandwidth:** The bandwidth in which an emission level is specified.

**MSR Base Station:** Base Station characterized by the ability of its receiver and transmitter to process two or more carriers in common active RF components simultaneously in a declared RF bandwidth, where at least one carrier is of a different RAT than the other carrier(s).

**Multi-band transmitter:** Transmitter characterized by the ability to process two or more carriers in common active RF components simultaneously, where at least one carrier is configured at a different non-overlapping operating band than the other carrier(s).

**Multi-band receiver:** Receiver characterized by the ability to process two or more carriers in common active RF components simultaneously, where at least one carrier is configured at a different non-overlapping operating band than the other carrier(s).

**Non-contiguous spectrum:** Spectrum consisting of two or more sub-blocks separated by sub-block gap(s).

**Occupied bandwidth:** The width of a frequency band such that, below the lower and above the upper frequency limits, the mean powers emitted are each equal to a specified percentage  $\beta/2$  of the total mean power of a given emission.

**Operating band:** A frequency range in which E-UTRA, UTRA or GSM/EDGE operates (paired or unpaired), that is defined with a specific set of technical requirements.

NOTE: The operating band(s) for a BS is declared by the manufacturer.

**Sub-block:** This is one contiguous allocated block of spectrum for use by the same Base Station. There may be multiple instances of sub-blocks within an RF bandwidth.

**Sub-block bandwidth:** The bandwidth of one sub-block.

**Sub-block gap:** A frequency gap between two consecutive sub-blocks within an RF bandwidth, where the RF requirements in the gap are based on co-existence for un-coordinated operation.

**Single-RAT operation:** operation of a BS in an operating band with only one RAT configured in that operating band.

**Synchronized operation:** Operation of TDD in two different systems, where no simultaneous uplink and downlink occur.

**RAT power:** The sum of all carrier powers for all carriers of the same type.

**Rated carrier output power:** The mean power level per carrier that the manufacturer has declared to be available at the antenna connector.

**Rated RAT output power:** The mean power level per RAT that the manufacturer has declared to be available at the antenna connector.

**Rated total output power:** The total mean power level that the manufacturer has declared to be available at the antenna connector.

**RRC filtered mean power:** The mean power of a UTRA carrier as measured through a root raised cosine filter with roll-off factor  $\alpha$  and a bandwidth equal to the chip rate of the radio access mode.

NOTE: The RRC filtered mean power of a perfectly modulated UTRA signal is 0.246 dB lower than the mean power of the same signal.

**Throughput:** The number of payload bits successfully received per second for a reference measurement channel in a specified reference condition.

**Total output power:** The sum of all carrier powers for all carriers transmitted by the BS.

**Total RF bandwidth:** Maximum sum of RF bandwidths in all supported operating bands.

**Transmission bandwidth:** Bandwidth of an instantaneous E-UTRA transmission from a UE or BS, measured in Resource Block units.

**Transmission bandwidth configuration:** The highest E-UTRA transmission bandwidth allowed for uplink or downlink in a given channel bandwidth, measured in Resource Block units.

**Transmitter ON period:** The time period during which the BS transmitter is transmitting data and/or reference symbols.

**Transmitter OFF period:** The time period during which the BS transmitter is not allowed to transmit.

**Transmitter transient period:** The time period during which the transmitter is changing from the OFF period to the ON period or vice versa.

**Unsynchronized operation:** Operation of TDD in two different systems, where the conditions for synchronized operation are not met.

**Uplink operating band:** The part of the operating band designated for uplink.

**Upper RF bandwidth edge:** The frequency of the upper edge of the Base Station RF bandwidth, used as a frequency reference point for transmitter and receiver requirements.

**Upper sub-block edge:** The frequency at the upper edge of one sub-block. It is used as a frequency reference point for both transmitter and receiver requirements.

## 3.2 Symbols

For the purposes of the present document, the following symbols apply:

|                            |   |
|----------------------------|---|
| $\alpha$                   | Roll-off factor   |
| $\beta$                    | Percentage of the mean transmitted power emitted outside the occupied bandwidth on the assigned channel   |
| $BW_{\text{Channel}}$      | Channel bandwidth (for E-UTRA)  |
| $BW_{\text{Config}}$       | Transmission bandwidth configuration (for E-UTRA), expressed in MHz, where $BW_{\text{Config}} = N_{\text{RB}} \times 180$ kHz in the uplink and $BW_{\text{Config}} = 15$ kHz + $N_{\text{RB}} \times 180$ kHz in the downlink.  |
| $BW_{\text{RF}}$           | Base Station RF bandwidth, where $BW_{\text{RF}} = F_{\text{BW RF,high}} - F_{\text{BW RF,low}}$  |
| $BW_{\text{RF,max}}$       | Maximum Base Station RF bandwidth   |
| CA_X                       | CA for band X where X is the applicable E-UTRA operating band   |
| CA_X-Y                     | CA for band X and Band Y where X and Y are the applicable E-UTRA operating band   |
| DwPTS                      | Downlink part of the special subframe (for E-UTRA TDD operation)  |
| f                          | Frequency   |
| $\Delta f$                 | Separation between the Base Station RF bandwidth edge frequency and the nominal -3dB point of the measuring filter closest to the carrier frequency   |
| $\Delta f_{\text{max}}$    | The largest value of $\Delta f$ used for defining the requirement   |
| $F_{\text{C}}$             | Carrier centre frequency  |
| $F_{\text{filter}}$        | Filter centre frequency   |
| f_offset                   | Separation between the Base Station RF bandwidth edge frequency and the centre of the measuring filter  |
| f_offset_max               | The maximum value of f_offset used for defining the requirement   |
| $F_{\text{block,high}}$    | Upper sub-block edge, where $F_{\text{block,high}} = F_{\text{C,block,high}} + F_{\text{offset, RAT}}$  |
| $F_{\text{block,low}}$     | Lower sub-block edge, where $F_{\text{block,low}} = F_{\text{C,block,low}} - F_{\text{offset, RAT}}$  |
| $F_{\text{BW RF,high}}$    | Upper RF bandwidth edge, where $F_{\text{BW RF,high}} = F_{\text{C,high}} + F_{\text{offset, RAT}}$   |
| $F_{\text{BW RF,low}}$     | Lower RF bandwidth edge, where $F_{\text{BW RF,low}} = F_{\text{C,low}} - F_{\text{offset, RAT}}$   |
| $F_{\text{C band, high}}$  | Center frequency of the highest transmitted/received carrier in a band.   |
| $F_{\text{C band, low}}$   | Center frequency of the lowest transmitted/received carrier in a band.  |
| $F_{\text{C,block, high}}$ | Centre frequency of the highest transmitted/received carrier in a sub-block.  |
| $F_{\text{C,block, low}}$  | Centre frequency of the lowest transmitted/received carrier in a sub-block.   |
| $F_{\text{C,high}}$        | Centre frequency of the highest transmitted/received carrier.   |
| $F_{\text{C,low}}$         | Centre frequency of the lowest transmitted/received carrier.  |
| $F_{\text{offset, RAT}}$   | Frequency offset from the centre frequency of the <i>highest</i> transmitted/received carrier to the <i>upper</i> RF bandwidth edge, sub-block edge or inter-RF bandwidth edge, or from the centre frequency of the <i>lowest</i> transmitted/received carrier to the <i>lower</i> RF bandwidth edge, sub-block edge or inter-RF bandwidth edge for a specific RAT. |
| $F_{\text{DL,low}}$        | The lowest frequency of the downlink operating band   |
| $F_{\text{DL,high}}$       | The highest frequency of the downlink operating band  |
| $F_{\text{UL,low}}$        | The lowest frequency of the uplink operating band   |
| $F_{\text{UL,high}}$       | The highest frequency of the uplink operating band  |
| $N_{\text{RB}}$            | Transmission bandwidth configuration, expressed in units of resource blocks (for E-UTRA)  |
| $P_{\text{EM,B32,ind}}$    | Declared emission level in Band 32, ind=a, b, c, d, e   |
| $P_{\text{max}}$           | Maximum total output power  |
| $P_{\text{max,c}}$         | Maximum carrier output power  |
| $P_{\text{max,RAT}}$       | Maximum RAT output power  |
| $P_{\text{Rated,carrier}}$ | Rated carrier output power  |
| $P_{\text{REFSENS}}$       | Reference Sensitivity power level   |
| $W_{\text{gap}}$           | Sub-block gap size or inter RF bandwidth gap size   |



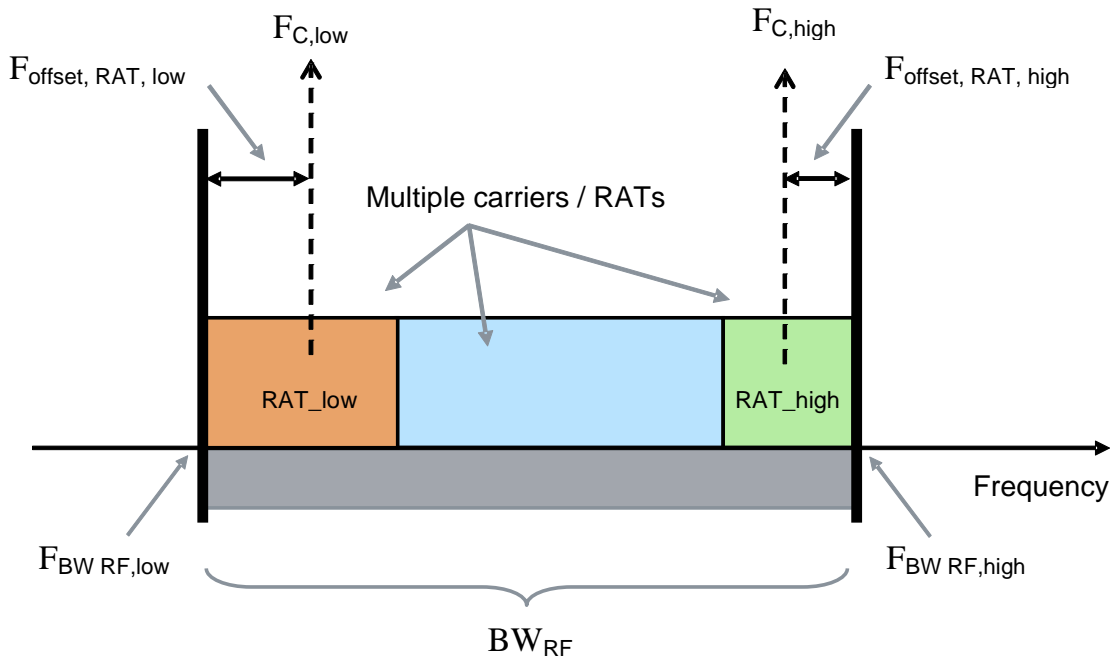


Figure 3.2-1: Illustration of RF bandwidth related symbols and definitions for Multi-standard Radio

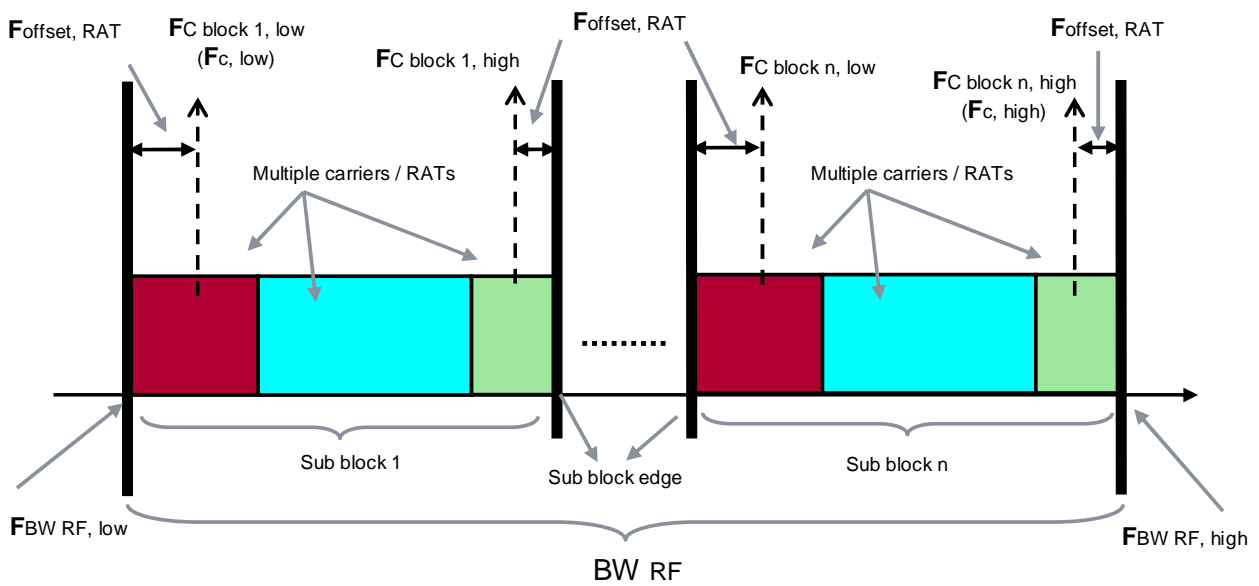


Figure 3.2-2: Illustration of RF bandwidth related symbols and definitions for non-contiguous Multi-standard Radio

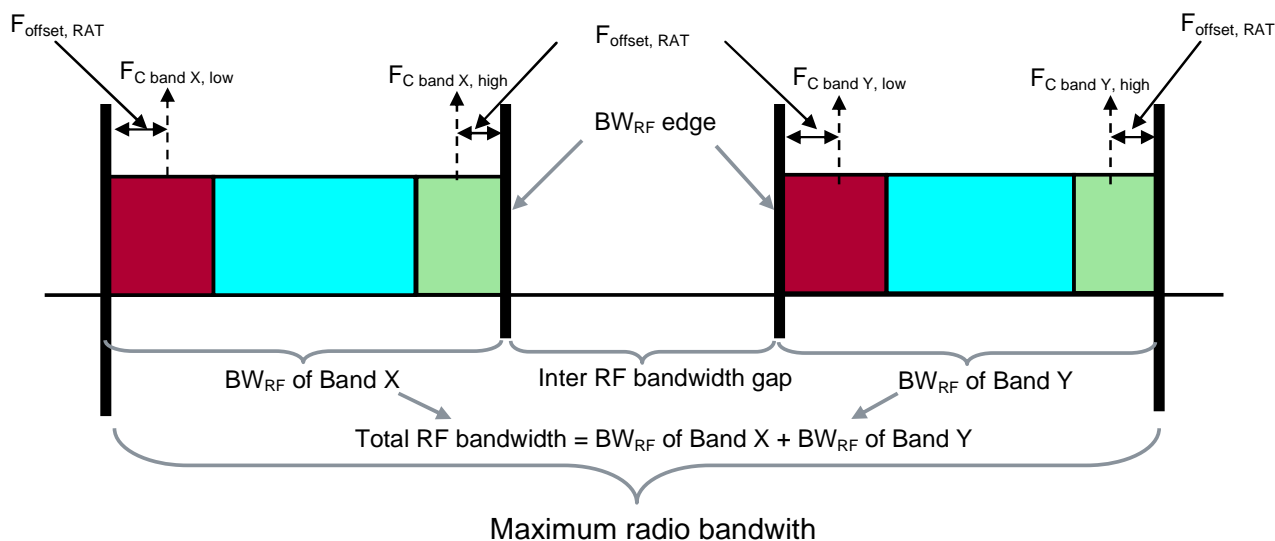


Figure 3.2-3: Illustration of maximum radio bandwidth and Total RF bandwidth for Multi-band Multi-standard Radio

### 3.3 Abbreviations

For the purposes of the present document, the abbreviations given in TR 21.905 [1] and the following apply. An abbreviation defined in the present document takes precedence over the definition of the same abbreviation, if any, in TR 21.905 [1].

|          |  |
|----------|--|
| ACIR     | Adjacent Channel Interference Ratio            |
| ACLR     | Adjacent Channel Leakage Ratio                 |
| ACK      | Acknowledgement (in HARQ protocols)            |
| ACS      | Adjacent Channel Selectivity                   |
| ARFCN    | Absolute Radio Frequency Channel Number        |
| AWGN     | Additive White Gaussian Noise                  |
| BC       | Band Category                                  |
| BER      | Bit Error Ratio                                |
| BS       | Base Station                                   |
| BTS      | Base Transceiver Station                       |
| CA       | Carrier Aggregation                            |
| CACLR    | Cumulative Adjacent Channel Leakage Ratio      |
| CP       | Cyclic prefix                                  |
| CRC      | Cyclic Redundancy Check                        |
| CW       | Continuous Wave                                |
| DC       | Direct Current                                 |
| DC-HSDPA | Dual Cell HSDPA                                |
| DTX      | Discontinuous Transmission                     |
| EARFCN   | E-UTRA Absolute Radio Frequency Channel Number |
| EDGE     | Enhanced Data rates for GSM Evolution          |
| EIRP     | Effective Isotropic Radiated Power             |
| EVM      | Error Vector Magnitude                         |
| FCC      | Federal Communications Commission              |
| FDD      | Frequency Division Duplex                      |
| FRC      | Fixed Reference Channel                        |
| GP       | Guard Period (for E-UTRA TDD operation)        |
| GSM      | Global System for Mobile Communications        |
| HSDPA    | High Speed Downlink Packet Access              |
| ICS      | In-Channel Selectivity                         |
| ITU-R    | Radiocommunication Sector of the ITU           |
| LA       | Local Area                                     |

|        |  |
|--------|--|
| LNA    | Low Noise Amplifier                          |
| MCL    | Minimum Coupling Loss                        |
| MCS    | Modulation and Coding Scheme                 |
| MIMO   | Multiple Input Multiple Output               |
| MB-MSR | Multi-Band Multi-Standard Radio              |
| MBT    | Multi-Band Testing                           |
| MR     | Medium Range                                 |
| MS     | Mobile Station                               |
| MSR    | Multi-Standard Radio                         |
| OFDM   | Orthogonal Frequency Division Multiplex      |
| OOB    | Out-Of-band                                  |
| PA     | Power Amplifier                              |
| PHS    | Personal Handyphone System                   |
| QAM    | Quadrature Amplitude Modulation              |
| QPSK   | Quadrature Phase-Shift Keying                |
| RAT    | Radio Access Technology                      |
| RB     | Resource Block                               |
| RF     | Radio Frequency                              |
| RMS    | Root Mean Square (value)                     |
| RS     | Reference Symbol                             |
| RX     | Receiver                                     |
| RRC    | Root Raised Cosine                           |
| SBT    | Single Band Testing                          |
| SNR    | Signal-to-Noise Ratio                        |
| TDD    | Time Division Duplex                         |
| TT     | Test Tolerance                               |
| TX     | Transmitter                                  |
| UARFCN | UTRA Absolute Radio Frequency Channel Number |
| UE     | User Equipment                               |
| UEM    | operating band Unwanted Emissions Mask       |
| WA     | Wide Area                                    |

---

## 4 General test conditions and declarations

### 4.1 Measurement uncertainties and test requirements

#### 4.1.1 General

The requirements of this clause apply to all applicable tests in this specification.

The minimum requirements are given in TS 37.104 [2] and the references therein. Test requirements are given in this specification or are included by reference to TS 25.141 [10], TS 25.142 [12], TS 36.141 [9] or TS 51.021 [11]. Test Tolerances for the test requirements explicitly stated in the present specification are defined in Annex C of this specification. Test Tolerances for test requirements included by reference are defined in the respective referred test specification.

Test Tolerances are individually calculated for each test. The Test Tolerances are used to relax the minimum requirements to create test requirements.

When a test requirement differs from the corresponding minimum requirement, then the Test Tolerance applied for the test is non-zero. The Test Tolerance for the test and the explanation of how the minimum requirement has been relaxed by the Test Tolerance are given in Annex C.

#### 4.1.2 Acceptable uncertainty of Test System

The maximum acceptable uncertainty of the Test System is specified below for each test defined explicitly in the present specification, where appropriate. The maximum acceptable uncertainty of the Test System for test requirements included by reference is defined in the respective referred test specification.

The Test System shall enable the stimulus signals in the test case to be adjusted to within the specified tolerance and the equipment under test to be measured with an uncertainty not exceeding the specified values. All tolerances and uncertainties are absolute values, and are valid for a confidence level of 95 %, unless otherwise stated.

A confidence level of 95% is the measurement uncertainty tolerance interval for a specific measurement that contains 95% of the performance of a population of test equipment.

For RF tests, it should be noted that the uncertainties in subclause 4.1.2 apply to the Test System operating into a nominal 50 ohm load and do not include system effects due to mismatch between the DUT and the Test System.

#### 4.1.2.1 Measurement of transmitter

**Table 4.1.2-1: Maximum Test System uncertainty for transmitter tests**

| Subclause  | Maximum Test System Uncertainty   | Derivation of Test System Uncertainty   |
|--|---|---|
| 6.2.1 Base Station maximum output power  | $\pm 0.7$ dB for UTRA and E-UTRA, $f \leq 3.0$ GHz<br>$\pm 1.0$ dB, $3.0$ GHz $< f \leq 4.2$ GHz for UTRA and E-UTRA<br>$\pm 1.0$ dB for GSM/EDGE   |   |
| 6.4 Transmit ON/OFF power  | $\pm 2.0$ dB, $f \leq 3.0$ GHz<br>$\pm 2.5$ dB, $3.0$ GHz $< f \leq 4.2$ GHz  |   |
| 6.6.1.5.1 Transmitter spurious emissions, Mandatory Requirements   | 9 kHz $< f \leq 4$ GHz: $\pm 2.0$ dB<br>4 GHz $< f \leq 19$ GHz: $\pm 4.0$ dB   |   |
| 6.6.1.5.2 Transmitter spurious emissions, Mandatory Requirements   | 9 kHz $< f \leq 4$ GHz: $\pm 2.0$ dB<br>4 GHz $< f \leq 19$ GHz: $\pm 4.0$ dB   |   |
| 6.6.1.5.3 Transmitter spurious emissions, Additional BC2 Requirement   | 9 kHz $< f \leq 4$ GHz: $\pm 2.0$ dB<br>4 GHz $< f \leq 12.75$ GHz: $\pm 4.0$ dB  |   |
| 6.6.1.5.4 Transmitter spurious emissions, Protection of BS receiver  | $\pm 3.0$ dB  |   |
| 6.6.1.5.5 Transmitter spurious emissions, Additional spurious emission requirements  | $\pm 2.0$ dB for $> -60$ dBm, $f \leq 3.0$ GHz<br>$\pm 2.5$ dB, $3.0$ GHz $< f \leq 4.2$ GHz<br>$\pm 3.0$ dB for $\leq -60$ dBm, $f \leq 3.0$ GHz<br>$\pm 3.5$ dB, $3.0$ GHz $< f \leq 4.2$ GHz   |   |
| 6.6.1.5.6 Transmitter spurious emissions, Co-location  | $\pm 3.0$ dB  |   |
| 6.6.2 Operating band unwanted emissions  | $\pm 1.5$ dB, $f \leq 3.0$ GHz<br>$\pm 1.8$ dB, $3.0$ GHz $< f \leq 4.2$ GHz  |   |
| 6.6.3 Occupied bandwidth   | For E-UTRA:<br>1.4MHz, 3MHz Channel BW: $\pm 30$ kHz<br>5MHz, 10MHz Channel BW: $\pm 100$ kHz<br>15MHz, 20MHz: Channel BW: $\pm 300$ kHz<br><br>For UTRA: $\pm 100$ kHz   |   |
| 6.6.4 Adjacent Channel Leakage power Ratio (ACLR)  | ACLR $\pm 0.8$ dB<br>Absolute power $\pm 2.0$ dB, $f \leq 3.0$ GHz<br>Absolute power $\pm 2.5$ dB, $3.0$ GHz $< f \leq 4.2$ GHz<br>CACLR $\pm 0.8$ dB<br>CACLR absolute power $\pm 2.0$ dB, $f \leq 3.0$ GHz<br>CACLR absolute power $\pm 2.5$ dB, $3.0$ GHz $< f \leq 4.2$ GHz |   |
| 6.7 Transmitter intermodulation (interferer requirements)<br>This tolerance applies to the stimulus and not the measurements defined in 6.6.1, 6.6.2 and 6.6.4 | The value below applies only to the interference signal and is unrelated to the measurement uncertainty of the tests (6.6.1, 6.6.2 and 6.6.4) which have to be carried out in the presence of the interferer.<br><br>$\pm 1.0$ dB   | The uncertainty of interferer has double the effect on the result due to the frequency offset |

## 4.1.2.2 Measurement of receiver

Table 4.1.2-2: Maximum Test System Uncertainty for receiver tests

| Subclause   | Maximum Test System Uncertainty   | Derivation of Test System Uncertainty   |
|---|---|---|
| 7.4 In-band selectivity and blocking (General blocking requirements)    | $\pm 1.4$ dB, $f \leq 3.0$ GHz<br>$\pm 1.8$ dB, $3.0$ GHz $< f \leq 4.2$ GHz  | Overall system uncertainty comprises three quantities:<br><br>1. Wanted signal level error<br>2. Interferer signal level error<br>3. Additional impact of interferer leakage<br><br>Items 1 and 2 are assumed to be uncorrelated so can be root sum squared to provide the ratio error of the two signals. The interferer leakage effect is systematic, and is added arithmetically.<br><br>Test System uncertainty = [SQRT (wanted_level_error <sup>2</sup> + interferer_level_error <sup>2</sup> )] + leakage effect.<br><br>$f \leq 3.0$ GHz<br>Wanted signal level $\pm 0.7$ dB<br>Interferer signal level $\pm 0.7$ dB<br>$3.0$ GHz $< f \leq 4.2$ GHz<br>Wanted signal level $\pm 1.0$ dB<br>Interferer signal level $\pm 1.0$ dB<br><br>$f \leq 4.2$ GHz<br>Impact of interferer leakage 0.4 dB. |
| 7.4 In-band selectivity and blocking (Narrowband blocking requirements) | $\pm 1.4$ dB, $f \leq 3.0$ GHz<br>$\pm 1.8$ dB, $3.0$ GHz $< f \leq 4.2$ GHz  | Same as In-band selectivity and blocking (General blocking requirements).   |
| 7.4 In-band selectivity and blocking (BC3 blocking requirements)        | $\pm 1.4$ dB, $f \leq 3.0$ GHz<br>$\pm 1.8$ dB, $3.0$ GHz $< f \leq 4.2$ GHz  | Same as In-band selectivity and blocking (General blocking requirements).   |
| 7.5 Out-of-band blocking  | $1$ MHz $\leq f_{\text{interferer}} \leq 3$ GHz: $\pm 1.3$ dB<br>$3$ GHz $< f_{\text{interferer}} \leq 12.75$ GHz: $\pm 3.2$ dB | Overall system uncertainty comprises three quantities:<br><br>1. Wanted signal level error<br>2. Interferer signal level error<br>3. Interferer broadband noise<br><br>Items 1 and 2 are assumed to be uncorrelated so can be root sum squared to provide the ratio error of the two signals. The Interferer Broadband noise effect is systematic, and is added arithmetically.<br><br>Test System uncertainty = [SQRT (wanted_level_error <sup>2</sup> + interferer_level_error <sup>2</sup> )] + Broadband noise effect.<br><br>Out of band blocking, using CW interferer:<br>Wanted signal level:<br>$\pm 0.7$ dB up to 3 GHz<br>$\pm 1.0$ dB up to 4.2 GHz<br>Interferer signal level:<br>$\pm 1.0$ dB up to 3 GHz<br>$\pm 3.0$ dB up to 12.75 GHz<br>Impact of interferer Broadband noise 0.1 dB   |
| 7.6 Receiver spurious emissions   | $30$ MHz $\leq f \leq 4$ GHz: $\pm 2.0$ dB<br>$4$ GHz $< f \leq 19$ GHz: $\pm 4.0$ dB   |   |

|   |   |  |
|---|---|--|
| 7.7.5 Receiver intermodulation (General requirements)   | ±1.8 dB , f ≤ 3.0 GHz<br>±2.4 dB, 3.0 GHz < f ≤ 4.2 GHz | <p>Overall system uncertainty comprises four quantities:</p> <ol style="list-style-type: none"> <li>1. Wanted signal level error</li> <li>2. CW Interferer level error</li> <li>3. Modulated Interferer level error</li> <li>4. Impact of interferer ACLR</li> </ol> <p>The effect of the closer CW signal has twice the effect.</p> <p>Items 1, 2 and 3 are assumed to be uncorrelated so can be root sum squared to provide the combined effect of the three signals. The interferer ACLR effect is systematic, and is added arithmetically.</p> <p>Test System uncertainty = SQRT [(2 x CW_level_error)<sup>2</sup> +(mod interferer_level_error)<sup>2</sup> +(wanted signal_level_error)<sup>2</sup>] + ACLR effect.</p> <p>f ≤ 3.0 GHz<br/>Wanted signal level ± 0.7dB<br/>CW interferer level ± 0.5 dB<br/>Mod interferer level ± 0.7 dB<br/>3.0 GHz &lt; f ≤ 4.2 GHz<br/>Wanted signal level ± 1.0 dB<br/>CW Interferer level ± 0.7 dB<br/>Mod Interferer level ± 1.0 dB</p> <p>f ≤ 4.2 GHz<br/>Impact of interferer ACLR 0.4 dB</p> |
| 7.7.5 Receiver intermodulation (Narrowband requirements)  | ±1.8 dB , f ≤ 3.0 GHz<br>±2.4 dB, 3.0 GHz < f ≤ 4.2 GHz | Same as Receiver intermodulation (General requirements).   |
| NOTE 1: Unless otherwise noted, only the Test System stimulus error is considered here. The effect of errors in the throughput measurements or the BER/FER due to finite test duration is not considered. |   |  |

### 4.1.3 Interpretation of measurement results

The measurement results returned by the Test System are compared - without any modification - against the test requirements as defined by the Shared Risk principle.

The Shared Risk principle is defined in ITU-R M.1545 [7].

The actual measurement uncertainty of the Test System for the measurement of each parameter shall be included in the test report.

The recorded value for the Test System uncertainty shall be, for each measurement, equal to or lower than the appropriate figure in subclause 4.1.2 of this specification.

If the Test System for a test is known to have a measurement uncertainty greater than that specified in subclause 4.1.2, it is still permitted to use this apparatus provided that an adjustment is made as follows.

Any additional uncertainty in the Test System over and above that specified in subclause 4.1.2 shall be used to tighten the test requirement, making the test harder to pass. (For some tests e.g. receiver tests, this may require modification of stimulus signals). This procedure (defined in Annex C) will ensure that a Test System not compliant with subclause 4.1.2 does not increase the chance of passing a device under test where that device would otherwise have failed the test if a Test System compliant with subclause 4.1.2 had been used.

## 4.2 Base Station classes

The requirements in this specification apply to Wide Area Base Stations, Medium Range Base Stations and Local Area Base Stations unless otherwise stated.

Wide Area Base Stations are characterised by requirements derived from Macro Cell scenarios with a BS to UE minimum coupling loss equal to 70 dB. The Wide Area Base Station class has the same requirements as the base station for General Purpose application in Release 9 and 10.

Medium Range Base Stations are characterised by requirements derived from Micro Cell scenarios with a BS to UE minimum coupling loss equals to 53 dB.

Local Area Base Stations are characterised by requirements derived from Pico Cell scenarios with a BS to UE minimum coupling loss equal to 45 dB.

For GSM/EDGE operation of an MSR BS, the requirements according to the applicable multicarrier BTS class apply. The Wide Area BS, Medium Range BS and Local Area BS in the present specification correspond to the Wide Area multicarrier BTS, Medium Range multicarrier BTS and Local Area multicarrier BTS respectively in the GSM/EDGE specifications. MSR requirements for multi-RAT operation only apply for the highest GSM/EDGE static power step.

The manufacturer shall declare the intended class of the BS under test.

## 4.3 Regional requirements

Some requirements in the present document may only apply in certain regions either as optional requirements, or set by local and regional regulation as mandatory requirements. It is normally not stated in the 3GPP specifications under what exact circumstances that the requirements apply, since this is defined by local or regional regulation.

Table 4.3-1 lists all requirements in the present specification that may be applied differently in different regions. There are additional single-RAT regional requirements that may apply. These are referenced from the present specification, but listed in the specification for the RATs concerned [3][4][5][6].

Table 4.3-1: List of regional requirements

| Clause number | Requirement  | Comments  |
|---------------|--|---|
| 4.5           | Operating bands and Band Categories  | Some bands may be applied regionally.   |
| 6.6.1.5.1     | Spurious emissions (Category A)  | Category A limits are mandatory for regions where Category A limits for spurious emissions, as defined in ITU-R Recommendation SM.329 [13] apply.   |
| 6.6.1.5.2     | Spurious emissions (Category B)  | Category B limits are mandatory for regions where Category B limits for spurious emissions, as defined in ITU-R Recommendation SM.329 [13] apply.   |
| 6.6.1.5.3     | Additional requirement for BC2 (Category B)  | Category B limits are mandatory for regions where Category B limits for spurious emissions, as defined in ITU-R Recommendation SM.329 [13] apply.   |
| 6.6.1.5.5     | Additional spurious emissions requirements   | These requirements may be applied for the protection of system operating in frequency ranges other than the MSR BS operating band. In addition to the requirements in subclauses 6.6.1.5.1, 6.6.1.5.2, 6.6.1.5.3, 6.6.1.5.4 and 6.6.1.5.5, the BS may have to comply with the applicable emission limits established by FCC Title 47 [8], when deployed in regions where those limits are applied, and under the conditions declared by the manufacturer. |
| 6.6.1.5.6     | Co-location (spurious emissions)   | These requirements may be applied for the protection of other BS receivers when a BS operating in another frequency band is co-located with any BS.   |
| 6.6.2.5.4.1   | Additional requirements (Operating band unwanted emissions)                                | In addition to the requirements in subclauses 6.6.2.5.1 and 6.6.2.5.2, the BS may have to comply with the applicable emission limits established by FCC Title 47 [8], when deployed in regions where those limits are applied and under the conditions declared by the manufacturer.  |
| 6.6.2.5.4.2   | Unsynchronized operation for BC3 (Operating band unwanted emissions)                       | The requirements for unsynchronized TDD co-existence may apply regionally.  |
| 6.6.2.5.4.3   | Protection of DTT (Operating band unwanted emissions)                                      | The requirements for protection of DTT may apply regionally.  |
| 6.6.2.5.4.4   | Co-existence with services in adjacent frequency bands (Operating band unwanted emissions) | This regional requirement may be applied for the protection of systems operating in frequency bands adjacent to band 1 as defined in clause 4.5, in geographic areas in which both an adjacent band service and UTRA and/or E-UTRA are deployed.  |
| 6.6.2.5.4.5   | Additional requirements for band 41 (Operating band unwanted emissions)                    | The requirements may apply in certain regions as additional Operating band unwanted emission limits.  |
| 6.6.2.5.4.6   | Additional band 32 unwanted emissions  | These requirements may apply in certain regions   |
| 6.6.3.5       | Occupied bandwidth   | The requirement may be applied regionally. There may also be regional requirements to declare the Occupied bandwidth according to the definition.   |
| 6.7.2A        | Additional requirements for Band 41  | These requirements may apply in certain regions for Band 41   |
| 6.7.5.4       | Additional test requirements for Band 41   | These requirements may apply in certain regions for Band 41   |
| 7.5.2.5       | Co-location requirement (blocking)   | These requirements may be applied for the protection of the BS receiver when a BS operating in another frequency band is co-located with any BS.  |

## 4.4 Operating bands and band categories

MSR requirements are applicable for band definitions and band numbering as defined in the specifications TS 45.005 [6], TS25.104 [3], TS 25.105 [4] and TS 36.104 [5]. For the purpose of defining the BS requirements, the operating bands are divided into three band categories as follows:



- Band Category 1 (BC1): Bands for E-UTRA FDD and UTRA FDD operation
- Band Category 2 (BC2): Bands for E-UTRA FDD, UTRA FDD and GSM/EDGE operation
- Band Category 3 (BC3): Bands for E-UTRA TDD and UTRA TDD operation

NOTE: For UTRA TDD, requirements in the present document cover the 1.28 Mcps UTRA TDD option.

The paired and unpaired bands for the three Band Categories are shown in Table 4.4-1 and 4.4-2, together with the corresponding E-UTRA, UTRA and GSM/EDGE band designations. In the present specification, the operating band of an MSR Base Stations is designated using the E-UTRA band number according to the tables.

Table 4.4-1: Paired bands in E-UTRA, UTRA and GSM/EDGE.

| MSR and E-UTRA Band number | UTRA Band number  | GSM/EDGE Band designation | Uplink (UL) BS receive<br>UE transmit | Downlink (DL) BS transmit<br>UE receive | Band category            |
|----------------------------|-------------------|---------------------------|---------------------------------------|---|--------------------------|
| 1                          | I                 | -                         | 1920 MHz – 1980 MHz                   | 2110 MHz – 2170 MHz                     | 1                        |
| 2                          | II                | PCS 1900                  | 1850 MHz – 1910 MHz                   | 1930 MHz – 1990 MHz                     | 2                        |
| 3                          | III               | DCS 1800                  | 1710 MHz – 1785 MHz                   | 1805 MHz – 1880 MHz                     | 2                        |
| 4                          | IV                | -                         | 1710 MHz – 1755 MHz                   | 2110 MHz – 2155 MHz                     | 1                        |
| 5                          | V                 | GSM 850                   | 824 MHz – 849 MHz                     | 869 MHz – 894 MHz                       | 2                        |
| 6<br>(NOTE 1)              | VI                | -                         | 830 MHz – 840 MHz                     | 875 MHz – 885 MHz                       | 1<br>(NOTE 1)            |
| 7                          | VII               | -                         | 2500 MHz – 2570 MHz                   | 2620 MHz – 2690 MHz                     | 1                        |
| 8                          | VIII              | E-GSM                     | 880 MHz – 915 MHz                     | 925 MHz – 960 MHz                       | 2                        |
| 9                          | IX                | -                         | 1749.9 MHz – 1784.9 MHz               | 1844.9 MHz – 1879.9 MHz                 | 1                        |
| 10                         | X                 | -                         | 1710 MHz – 1770 MHz                   | 2110 MHz – 2170 MHz                     | 1                        |
| 11                         | XI                | -                         | 1427.9 MHz – 1447.9 MHz               | 1475.9 MHz – 1495.9 MHz                 | 1                        |
| 12                         | XII               | -                         | 699 MHz – 716 MHz                     | 729 MHz – 746 MHz                       | 1                        |
| 13                         | XIII              | -                         | 777 MHz – 787 MHz                     | 746 MHz – 756 MHz                       | 1                        |
| 14                         | XIV               | -                         | 788 MHz – 798 MHz                     | 758 MHz – 768 MHz                       | 1                        |
| 15                         | XV                | -                         | Reserved                              | Reserved                                |                          |
| 16                         | XVI               | -                         | Reserved                              | Reserved                                |                          |
| 17                         | -                 | -                         | 704 MHz – 716 MHz                     | 734 MHz – 746 MHz                       | 1<br>(NOTE 2)            |
| 18                         | -                 | -                         | 815 MHz – 830 MHz                     | 860 MHz – 875 MHz                       | 1<br>(NOTE 2)            |
| 19                         | XIX               | -                         | 830 MHz – 845 MHz                     | 875 MHz – 890 MHz                       | 1                        |
| 20                         | XX                | -                         | 832 MHz – 862 MHz                     | 791 MHz – 821 MHz                       | 1                        |
| 21                         | XXI               | -                         | 1447.9 MHz – 1462.9 MHz               | 1495.9 MHz – 1510.9 MHz                 | 1                        |
| 22                         | XXII              | -                         | 3410 MHz – 3490 MHz                   | 3510 MHz – 3590 MHz                     | 1                        |
| 23                         | -                 | -                         | 2000 MHz – 2020 MHz                   | 2180 MHz – 2200 MHz                     | 1<br>(NOTE 2)            |
| 24                         | -                 | -                         | 1626.5 MHz – 1660.5 MHz               | 1525 MHz – 1559 MHz                     | 1<br>(NOTE 2)            |
| 25                         | XXV               | -                         | 1850 MHz – 1915 MHz                   | 1930 MHz – 1995 MHz                     | 1                        |
| 26                         | XXVI              | -                         | 814 MHz – 849 MHz                     | 859 MHz – 894 MHz                       | 1                        |
| 27                         | -                 | -                         | 807 MHz – 824 MHz                     | 852 MHz – 869 MHz                       | 1<br>(NOTE 2)            |
| 28                         | -                 | -                         | 703 MHz – 748 MHz                     | 758 MHz – 803 MHz                       | 1<br>(NOTE 2)            |
| 29                         | -                 | -                         | N/A                                   | 717 MHz – 728 MHz                       | 1<br>(NOTE 2,<br>NOTE 3) |
| 30                         | -                 | -                         | 2305 MHz – 2315 MHz                   | 2350 MHz – 2360 MHz                     | 1<br>(NOTE 2)            |
| 31                         | -                 | -                         | 452.5 MHz – 457.5 MHz                 | 462.5 MHz – 467.5 MHz                   | 1<br>(NOTE 2)            |
| 32<br>(NOTE 3)             | XXXII<br>(NOTE 4) | -                         | N/A                                   | 1452 MHz – 1496 MHz                     | 1                        |

NOTE 1: The band is for UTRA only.  
NOTE 2: The band is for E-UTRA only.  
NOTE 3: Restricted to E-UTRA operation when carrier aggregation is configured. The downlink operating band is paired with the uplink operating band (external) of the carrier aggregation configuration that is supporting the configured Pcell.  
NOTE 4: Restricted to UTRA operation when dual band is configured (e.g., DB-DC-HSDPA or dual band 4C-HSDPA). The down link frequenc(ies) of this band are paired with the uplink frequenc(ies) of the other FDD band (external) of the dual band configuration..

NOTE: For BS capable of multi-band operation, the supported operating bands may belong to different Band Categories.

Table 4.4-2: Unpaired bands in E-UTRA and UTRA.

| MSR and E-UTRA Band number | UTRA Band number | Uplink (UL) BS receive<br>UE transmit | Downlink (DL) BS transmit<br>UE receive | Band category |
|----------------------------|------------------|---------------------------------------|---|---------------|
| 33                         | a)               | 1900 MHz – 1920 MHz                   | 1900 MHz – 1920 MHz                     | 3             |
| 34                         | a)               | 2010 MHz – 2025 MHz                   | 2010 MHz – 2025 MHz                     | 3             |
| 35                         | b)               | 1850 MHz – 1910 MHz                   | 1850 MHz – 1910 MHz                     | 3             |
| 36                         | b)               | 1930 MHz – 1990 MHz                   | 1930 MHz – 1990 MHz                     | 3             |
| 37                         | c)               | 1910 MHz – 1930 MHz                   | 1910 MHz – 1930 MHz                     | 3             |
| 38                         | d)               | 2570 MHz – 2620 MHz                   | 2570 MHz – 2620 MHz                     | 3             |
| 39                         | f)               | 1880 MHz – 1920 MHz                   | 1880 MHz – 1920 MHz                     | 3             |
| 40                         | e)               | 2300 MHz – 2400 MHz                   | 2300 MHz – 2400 MHz                     | 3             |
| 41                         | -                | 2496 MHz – 2690 MHz                   | 2496 MHz – 2690 MHz                     | 3             |
| 42                         | -                | 3400 MHz – 3600 MHz                   | 3400 MHz – 3600 MHz                     | 3             |
| 43                         | -                | 3600 MHz – 3800 MHz                   | 3600 MHz – 3800 MHz                     | 3             |
| 44                         | -                | 703 MHz – 803 MHz                     | 703 MHz – 803 MHz                       | 3             |

Table 4.4-3. Void

Table 4.4-4. Void

E-UTRA is designed to operate for the carrier aggregation bands defined in Tables 5.5-2, 5.5-3 and 5.5-4 of TS 36.104 [5]. The E-UTRA channel bandwidth  $BW_{\text{Channel}}$  for a single carrier and the Aggregated Channel Bandwidth  $BW_{\text{Channel\_CA}}$  for E-UTRA carrier aggregation are specified in Section 5.6 of TS 36.104 [5].

#### 4.4.1 Band category 1 aspects (BC1)

For each BC1 band, BC1 requirements for receiver and transmitter shall apply with a frequency offset  $F_{\text{offset, RAT}}$  from the lowest and highest carriers to the RF bandwidth edges and sub-block edges (if any) as defined in Table 4.4.1-1.

Table 4.4.1-1:  $F_{\text{offset, RAT}}$  for band category 1

| RAT                      | $F_{\text{offset, RAT}}$                  |
|--------------------------|---|
| 1.4, 3 MHz E-UTRA        | $BW_{\text{Channel}}/2 + 200 \text{ kHz}$ |
| 5, 10, 15, 20 MHz E-UTRA | $BW_{\text{Channel}}/2$                   |
| UTRA FDD                 | 2.5 MHz                                   |

#### 4.4.2 Band category 2 aspects (BC2)

For each BC2 band, BC2 requirements for receiver and transmitter shall apply with a frequency offset  $F_{\text{offset, RAT}}$  from the lowest and highest carriers to the RF bandwidth edges and sub-block edges (if any) as defined in Table 4.4.2-1.

Table 4.4.2-1:  $F_{\text{offset, RAT}}$  for band category 2

| RAT      | $F_{\text{offset, RAT}}$ |
|----------|--------------------------|
| E-UTRA   | $BW_{\text{Channel}}/2$  |
| UTRA FDD | 2.5 MHz                  |
| GSM/EDGE | 200 kHz                  |

#### 4.4.3 Band category 3 aspects (BC3)

For each BC3 band, BC3 requirements for receiver and transmitter shall apply with a frequency offset  $F_{\text{offset, RAT}}$  from the lowest and highest carriers to the RF bandwidth edges and sub-block edges (if any) as defined in Table 4.4.3-1.

**Table 4.4.3-1:  $F_{\text{offset, RAT}}$  for band category 3**

| RAT                      | $F_{\text{offset, RAT}}$                  |
|--------------------------|---|
| 1.4, 3 MHz E-UTRA        | $BW_{\text{Channel}}/2 + 200 \text{ kHz}$ |
| 5, 10, 15, 20 MHz E-UTRA | $BW_{\text{Channel}}/2$                   |
| 1.28 Mcps UTRA TDD       | 1 MHz                                     |

## 4.5 Channel arrangement

### 4.5.1 Channel spacing

The GSM/EDGE carrier spacing is 200 kHz [6].

The nominal UTRA FDD channel spacing is 5 MHz. The nominal channel spacing is 1.6 MHz for the 1.28 Mcps UTRA TDD Option. These can be adjusted to optimise performance in a particular deployment scenario [3,4].

In E-UTRA the spacing between carriers will depend on the deployment scenario, the size of the frequency block available and the channel bandwidths. The nominal channel spacing between two adjacent E-UTRA carriers is defined as following:

$$\text{Nominal Channel spacing} = (BW_{\text{Channel}(1)} + BW_{\text{Channel}(2)})/2$$

where  $BW_{\text{Channel}(1)}$  and  $BW_{\text{Channel}(2)}$  are the channel bandwidths of the two respective E-UTRA carriers. The channel spacing can be adjusted to optimize performance in a particular deployment scenario [5].

#### 4.5.1A CA Channel spacing

For intra-band contiguously aggregated carriers the channel spacing between adjacent component carriers shall be multiple of 300 kHz.

The nominal channel spacing between two adjacent aggregated E-UTRA carriers is defined as follows:

$$\text{Nominal channel spacing} = \left\lceil \frac{BW_{\text{Channel}(1)} + BW_{\text{Channel}(2)} - 0.1|BW_{\text{Channel}(1)} - BW_{\text{Channel}(2)}|}{0.6} \right\rceil 0.3$$

where  $BW_{\text{Channel}(1)}$  and  $BW_{\text{Channel}(2)}$  are the channel bandwidths of the two respective E-UTRA component carriers according to Table 5.6-1 with values in MHz. The channel spacing for intra-band contiguous carrier aggregation can be adjusted to any multiple of 300 kHz less than the nominal channel spacing to optimize performance in a particular deployment scenario.

### 4.5.2 Channel raster

The GSM/EDGE channel raster is 200 kHz for all bands [6].

The UTRA FDD and TDD channel raster is 200 kHz for all bands, which means that the centre frequency must be an integer multiple of 200 kHz. In addition a number of additional centre frequencies are specified for UTRA FDD according to [3], which means that the centre frequencies for UTRA FDD channels are shifted 100 kHz relative to the general raster.

The E-UTRA channel raster is 100 kHz for all bands, which means that the carrier centre frequency must be an integer multiple of 100 kHz [5].

### 4.5.3 Carrier frequencies and numbering

The carrier frequencies and corresponding numbering is defined for each RAT in the respective specifications TS 36.104 [5] TS 25.104 [3], TS 25.105 [4] and TS 45.005 [6]. In the context of MSR, the frequency numbering scheme for each RAT will remain.

- The E-UTRA carrier frequency numbering (EARFCN) is defined in subclause 5.7 of TS 36.104 [5].
- The UTRA FDD carrier frequency numbering (UARFCN) is defined in subclause 5.4 of TS 25.104 [3].
- The UTRA TDD carrier frequency numbering (UARFCN) is defined in subclause 5.4 of TS 25.105 [4].
- The GSM/EDGE carrier frequency numbering (ARFCN) is defined subclause 2 of TS 45.005 [6].

NOTE: The numbering schemes for UTRA FDD and TDD are not coordinated, while both are called UARFCN.

## 4.6 Manufacturer's declarations of regional and optional requirements

### 4.6.1 Operating band and frequency range

The manufacturer shall declare which operating band(s) specified in clause 4.4 that is supported by the BS under test and if applicable, which frequency ranges within the operating band(s) that the Base Station can operate in. Requirements for other operating bands and frequency ranges need not be tested.

The manufacturer shall declare which operating band(s) specified in clause 4.4 are supported by the BS under test for carrier aggregation.

### 4.6.2 Spurious emissions category

The manufacturer shall declare one of the following:

- a) The BS is tested against Category A limits for spurious emissions, as defined in ITU-R Recommendation SM.329 [13]. In this case
  - conformance with the spurious emissions requirements in clause 6.6.1.5.1 is mandatory, and the requirements specified in clause 6.6.1.5.2 and 6.6.1.5.3 need not be demonstrated.
- b) The BS is tested against Category B limits for spurious emissions, as defined in ITU-R Recommendation SM.329 [13]. In this case,
  - conformance with the spurious emissions requirements in clause 6.6.1.5.2 and 6.6.1.5.3 (for BC2) are mandatory, and the requirements specified in clause 6.6.1.5.1 need not be demonstrated.

### 4.6.3 Additional operating band unwanted emissions

The manufacturer shall declare whether the BS under test is intended to operate in geographic areas where the additional operating band unwanted emission limits defined in clause 6.6.2.4 of TS 37.104 [2] apply. If this is the case, conformance with the applicable emission limits shall be demonstrated.

NOTE: For the emission limits established by FCC Title 47 [8], there is no test method or requirement defined in the present specification.

For a BS declared to support Band 20 and to operate in geographic areas within the CEPT in which frequencies are allocated to broadcasting (DTT) service, the manufacturer shall additionally declare the following quantities associated with the applicable test conditions of Table 6.6.2.5.4.4-1 and information in annex G of TS 36.104 [5] :

$P_{EM,N}$  Declared emission level for channel N

$P_{10MHz}$  Maximum output Power in 10 MHz

Conformance with the declared emission level  $P_{EM,N}$  shall be demonstrated.

For a BS declared to support Band 32 and to operate in geographic areas within the CEPT, the manufacturer shall additionally declare the following quantities associated with the applicable test conditions of Table 6.6.2.5.4.6-1 and Table 6.6.2.5.4.6-2:

$P_{EM,B32,ind}$  Declared emission level in Band 32, ind=a, b, c, d, e

Conformance with the declared emission level  $P_{EM,B32,ind}$  shall be demonstrated.

#### 4.6.4 Co-existence with other systems

The manufacturer shall declare whether the BS under test is intended to operate in geographic areas where one or more of the systems GSM850, GSM900, DCS1800, PCS1900, UTRA FDD, UTRA TDD, E-UTRA and/or PHS operating in another band are deployed. If this is the case, conformance with the applicable test requirement for spurious emissions specified in clause 6.6.1.5.5 shall be demonstrated.

#### 4.6.5 Co-location with other Base Stations

The manufacturer shall declare whether the BS under test is intended to operate co-located with Base Stations of one or more of the systems GSM850, GSM900, DCS1800, PCS1900, UTRA FDD, UTRA TDD and/or E-UTRA operating in another band. If this is the case,

- Conformance with the applicable test requirement for spurious emissions specified in clause 6.6.1.5.6 shall be demonstrated.
- Conformance with the applicable test requirement for receiver blocking specified in clause 7.5.5.2 shall be demonstrated.

### 4.7 Capability set definition and manufacturer's declarations of supported RF configurations

#### 4.7.1 Definition of Capability Sets (CS)

Capability set is defined as the BS capability to support certain RAT combinations.

The manufacturer shall declare the supported capability set(s) according to Table 4.7.1-1.

Table 4.7.1-1 Capability sets

| Capability Set supported by the BS  | CS1              | CS2                    | CS3  | CS4   | CS5   | CS6  |
|---|------------------|------------------------|--|---|---|--|
| Supported RATs  | UTRA (MC)        | E-UTRA (MC)            | UTRA, E-UTRA   | GSM, UTRA   | GSM, E-UTRA   | GSM, UTRA, E-UTRA  |
| Supported configurations  | SR UTRA (SC, MC) | SR E-UTRA (SC, MC, CA) | MR UTRA + E-UTRA<br>SR UTRA (SC, MC)<br>SR E-UTRA (SC, MC, CA) | MR GSM + UTRA<br>SR GSM (MCBTS)<br>SR UTRA (SC, MC) | MR GSM + E-UTRA<br>SR GSM (MCBTS)<br>SR E-UTRA (SC, MC, CA) | MR GSM + UTRA + E-UTRA<br>MR GSM + UTRA<br>MR GSM + E-UTRA<br>MR UTRA + E-UTRA<br>SR GSM (MCBTS)<br>SR UTRA (SC, MC)<br>SR E-UTRA (SC, MC, CA) |
| Applicable BC   | BC1, BC2 or BC3  | BC1, BC2 or BC3        | BC1, BC2 or BC3  | BC2   | BC2   | BC2  |
| NOTE: MC denotes multi-carrier in single RAT;<br>SC denotes single carrier;<br>MR denotes multi-RAT;<br>SR denotes single-RAT |                  |                        |  |   |   |  |

The applicable test configurations for each RF requirement are defined in sub-clause 5.1 and 5.2 for the declared capability set(s). For a BS declared to be capable of multi-band operation, the applicable test configurations for each RF requirement are defined in sub-clause 5.3 for the declared capability set(s).

NOTE: Not every supported configuration within a CS is tested, but the tables in sub-clause 5.1, 5.2 and 5.3 provide a judicious choice among the supported configurations and test configurations to ensure proper test coverage.

## 4.7.2 Manufacturer's declarations of supported RF configurations

The manufacturer shall declare which operational configurations the BS supports by declaring the following parameters:

### a) General Parameters:

- Support of the BS in non-contiguous spectrum operation. If the BS does not support non-contiguous spectrum operation the parameters for non-contiguous spectrum operation below shall not be declared.
- The supported operating bands defined in subclause 4.4.
- The frequency range within the above frequency band(s) supported by the BS.
- Supported capability set
- The maximum RF bandwidth supported by a MSR BS within an operating band when the BS is configured with carriers of different RATs.
  - for contiguous spectrum operation.
  - for non-contiguous spectrum operation

- The rated total output power as a sum over all RATs
  - for contiguous spectrum operation.
  - for non-contiguous spectrum operation
- Maximum supported power difference between carriers
- Total number of supported carriers

If the rated total output power and total number of supported carriers are not simultaneously supported in Multi-RAT operations, the manufacturer shall declare the following additional parameters:

- The reduced number of supported carriers at the rated total output power in Multi-RAT operations (i.e. < total number of supported carriers)
- The reduced total output power at the total number of supported carriers in Multi-RAT operations (i.e. < rated total output power)

b) Parameters related to operation of GSM:

- The maximum number of supported GSM carriers
- The maximum RF bandwidth supported by the MSR BS when configured with GSM carriers only
  - for contiguous spectrum operation
  - for non-contiguous spectrum operation
- The rated carrier output power for GSM for each supported number of GSM carriers up to the maximum, for the case that all carriers are operated at the same nominal output power.
  - for contiguous spectrum operation
  - for non-contiguous spectrum operation

The declaration shall be given for each supported modulation.

c) Parameters related to operation of UTRA:

- The maximum number of supported UTRA carriers
- The maximum RF bandwidth supported by the MSR BS when configured with UTRA carriers only
  - for contiguous spectrum operation
  - for non-contiguous spectrum operation
- The rated RAT output power for UTRA as a sum of all UTRA carriers
  - for contiguous spectrum operation
  - for non-contiguous spectrum operation
- The rated carrier output power for UTRA
  - for contiguous spectrum operation
  - for non-contiguous spectrum operation

d) Parameters related to operation of E-UTRA:

- Which of the E-UTRA channel bandwidths specified in TS 36.104 [5] subclause 5.6 are supported
- The maximum number of supported E-UTRA carriers
- The maximum RF bandwidth supported by the MSR BS when configured with E-UTRA carriers only
  - for contiguous spectrum operation



- for non-contiguous spectrum operation
- The rated RAT output power for E-UTRA as a sum of all E-UTRA carriers
  - for contiguous spectrum operation
  - for non-contiguous spectrum operation
- The rated carrier output power for E-UTRA
  - for contiguous spectrum operation
  - for non-contiguous spectrum operation
- The supported component carrier combinations at nominal channel spacing within each operating band.

For BS capable of multi-band operation, the parameters in a) to d) shall be declared for each supported operating band, in which declarations of the maximum RF bandwidth, total number of supported carriers, the rated carrier output power and rated total output power are applied for single-band operation only. In addition the manufacturer shall declare the following additional parameters for BS capable of multi-band operation:

- Supported operating band combinations of the BS
- Supported operating band(s) of each antenna connector
- Support of multi-band transmitter and/or multi-band receiver, including mapping to antenna connector(s)
- Total number of supported carriers for the declared band combinations of the BS
- Maximum number of supported carriers per band in multi-band operation
- Total RF bandwidth of transmitter and receiver for the declared band combinations of the BS
- Maximum RF bandwidth of each supported operating band in multi-band operation
- Maximum radio bandwidth in transmit and receive direction for the declared band combinations of the BS
- Any other limitations under simultaneous operation in the declared band combinations of the BS which have any impact on the test configuration generation
- Rated total output power as a sum over all supported operating bands in the declared band combinations of the BS
- Maximum supported power difference between any two carriers in any two different supported operating bands
- The rated carrier output power in multi-band operation
- Rated total output power of each supported operating band in multi-band operation

NOTE: Certain parameter combinations may result in test configurations that are not possible to use for testing. The manufacturer shall ensure that the declared parameters generate test configurations possible to use for test.

## 4.8 MSR test configurations

The test configurations shall be constructed using the methods defined below subject to the parameters declared by the manufacturer as listed in subclause 4.7.

For test contiguous operation configurations used in receiver tests only the outermost carriers need to be generated by the test equipment. For non-contiguous operation test configurations used in receiver tests, outermost carriers for each sub-block need to be generated by the test equipment.

The applicable test models for generation of the carrier transmit test signal are defined in subclause 4.9.2.

NOTE: In case carriers are shifted to align with the channel raster Foffset, RAT as defined in clauses 4.4.1 and 4.4.2 may be different.

## 4.8.1 TC1: UTRA multicarrier operation

The purpose of TC1 is to test UTRA multi-carrier aspects.

### 4.8.1.1 TC1a generation

TC1a is constructed using the following method:

- The RF bandwidth shall be the declared maximum supported RF bandwidth.
- Place two UTRA FDD carriers adjacent to the high and low edge of the RF bandwidth. The specified  $F_{\text{Offset-RAT}}$  shall apply.
- For transmitter tests, alternately place a UTRA FDD carrier adjacent to the already placed carriers at the low and high edge of the RF bandwidth until there is no more space to fit a carrier or the BS does not support more carriers. The nominal carrier spacing defined in subclause 4.5.1 shall apply.
- The carrier(s) may be shifted maximum 100 kHz towards lower frequencies for  $B_{\text{RFBW}}$  and  $M_{\text{RFBW}}$  and towards higher frequencies for  $T_{\text{RFBW}}$  to align with the channel raster.

### 4.8.1.2 TC1b generation

TC1b is constructed using the following method:

- The RF bandwidth shall be the declared maximum supported RF bandwidth.
- Place two UTRA TDD carriers adjacent to the high and low edge of the RF bandwidth. The specified  $F_{\text{Offset-RAT}}$  shall apply.
- For transmitter tests, alternately place a UTRA TDD carrier adjacent to the already placed carriers at the low and high edge of the RF bandwidth until there is no more space to fit a carrier or the BS does not support more carriers. The nominal carrier spacing defined in subclause 4.5.1 shall apply.

### 4.8.1.3 TC1 power allocation

Set the power of each carrier to the same power so that the sum of the carrier powers equals the rated RAT output power for UTRA according to the manufacturer's declaration in subclause 4.7.2 c).

## 4.8.1a NTC1: UTRA multicarrier non-contiguous operation

The purpose of NTC1 is to test UTRA multicarrier non-contiguous aspects.

### 4.8.1a.1 NTC1a generation

The purpose of NTC1a is to test UTRA multicarrier non-contiguous aspects. NTC1a is constructed using the following method:

- The RF bandwidth shall be the maximum supported RF bandwidth for non-contiguous operation. The RF bandwidth consists of one sub-block gap and two sub-blocks located at the edges of the declared maximum supported RF bandwidth.
- For transmitter tests, place one UTRA carrier adjacent to the upper RF bandwidth edge and one UTRA carrier adjacent to the lower RF bandwidth edge. The specified  $F_{\text{Offset-RAT}}$  shall apply.
- For receiver tests, place one UTRA carrier adjacent to the upper RF bandwidth edge and one UTRA carrier adjacent to the lower RF bandwidth edge. For single-band operation, if the maximum supported RF bandwidth is at least 35 MHz and the BS supports at least 4 UTRA FDD carriers, place a UTRA FDD carrier adjacent to each already placed carrier for each sub-block. The nominal carrier spacing defined in subclause 4.5.1 shall apply.
- The sub-block edges adjacent to the sub-block gap shall be determined using the specified  $F_{\text{Offset-RAT}}$  for the carrier adjacent to the sub-block gap.

- The UTRA FDD carrier in the lower sub-block may be shifted maximum 100 kHz towards lower frequencies and the UTRA FDD carrier in the upper sub-block may be shifted maximum 100 kHz towards higher frequencies to align with the channel raster.

#### 4.8.1a.2 NTC1 power allocation

Set the power of each carrier to the same power so that the sum of the carrier powers equals the rated RAT output power according to the manufacturer's declaration in subclause 4.7.2 c).

### 4.8.2 TC2: E-UTRA multicarrier operation

The purpose of the TC2 is to test E-UTRA multi-carrier aspects.

#### 4.8.2.1 TC2 generation

TC2 is constructed using the following method:

- The RF bandwidth shall be the declared maximum supported RF bandwidth.
- Select the narrowest supported E-UTRA carrier and place it adjacent to the low edge of the RF bandwidth. Place a 5 MHz E-UTRA carrier adjacent to the high edge of the RF bandwidth. The specified  $F_{\text{Offset-RAT}}$  shall apply.
- For transmitter tests, select as many 5 MHz E-UTRA carriers that the BS supports and that fit in the rest of the RF bandwidth. Place the carriers adjacent to each other starting from the high RF bandwidth edge. The nominal carrier spacing defined in subclause 4.5 shall apply. The specified  $F_{\text{Offset-RAT}}$  shall apply.
- If 5 MHz E-UTRA carriers are not supported by the BS the narrowest supported channel BW shall be selected instead.

#### 4.8.2.2 TC2 power allocation

Set the power of each carrier to the same power so that the sum of the carrier powers equals the rated RAT output power for E-UTRA according to the manufacturer's declaration in sub clause 4.7.2 d).

### 4.8.2a NTC2: E-UTRA multicarrier non-contiguous operation

The purpose of NTC2 is to test E-UTRA multicarrier non-contiguous aspects.

#### 4.8.2a.1 NTC2 generation

The purpose of NTC2 is to test E-UTRA multicarrier non-contiguous aspects. NTC2 is constructed using the following method:

- The RF bandwidth shall be the maximum supported RF bandwidth for non-contiguous operation. The RF bandwidth consists of one sub-block gap and two sub-blocks located at the edges of the declared maximum supported RF bandwidth.
- For transmitter tests, place a 5MHz E-UTRA carrier adjacent to the upper RF bandwidth edge and a 5MHz E-UTRA carrier adjacent to the lower RF bandwidth edge. The specified  $F_{\text{Offset-RAT}}$  shall apply. If 5 MHz E-UTRA carriers are not supported by the BS, the narrowest supported channel BW shall be selected instead.
- For receiver tests, place a 5MHz E-UTRA carrier adjacent to the upper RF bandwidth edge and a 5MHz E-UTRA carrier adjacent to the lower RF bandwidth edge. If 5 MHz E-UTRA carriers are not supported by the BS, the narrowest supported channel BW shall be selected instead.
- For single-band operation receiver tests, if the remaining gap is at least 15 MHz plus two times the channel BW used in the previous step and the BS supports at least 4 E-UTRA carriers, place a E-UTRA carrier of this BW adjacent to each already placed carrier for each sub-block. The nominal carrier spacing defined in subclause 4.5.1 shall apply.

- The sub-block edges adjacent to the sub-block gap shall be determined using the specified  $F_{\text{Offset-RAT}}$  for the carrier adjacent to the sub-block gap.

#### 4.8.2a.2 NTC2 power allocation

Set the power of each carrier to the same power so that the sum of the carrier powers equals the rated RAT output power according to the manufacturer's declaration in subclause 4.7.2 d).

### 4.8.3 TC3: UTRA and E-UTRA multi RAT operation

The purpose of TC3 is to test UTRA and E-UTRA multi-RAT aspects.

If the rated total output power and total number of supported carriers are not simultaneously supported in Multi-RAT operations, two instances of TC3 shall be generated using the following values for rated total output power and the total number of supported carriers:

- 1) The rated total output power and the reduced number of supported carriers at the rated total output power in Multi-RAT operations
- 2) The reduced total output power at the total number of supported carriers in Multi-RAT operations and the total number of supported carriers.

Tests that use TC3 shall be performed using both instances 1) and 2) of TC3.

#### 4.8.3.1 TC3a generation

TC3a is constructed using the following method:

- The RF bandwidth shall be the declared maximum supported RF bandwidth.
- Select an FDD UTRA carrier to be placed at the low RF Bandwidth edge. The specified  $F_{\text{Offset-RAT}}$  shall apply. The UTRA FDD may be shifted maximum 100 kHz towards lower frequencies to align with the channel raster.
- Place a 5 MHz E-UTRA carrier at the high RF bandwidth edge. If that is not possible use the narrowest E-UTRA carrier supported by the BS. The specified  $F_{\text{Offset-RAT}}$  shall apply.
- For transmitter tests, alternately add FDD UTRA carriers at the low end and 5 MHz E-UTRA carriers at the high end adjacent to the already placed carriers until the RF bandwidth is filled or the total number of supported carriers is reached. The nominal carrier spacing defined in subclause 4.5.1 shall apply.

#### 4.8.3.2 TC3b generation

TC3b is constructed using the following method:

- The RF bandwidth shall be the declared maximum supported RF bandwidth.
- Select a UTRA TDD carrier to be placed at the low RF Bandwidth edge. The specified  $F_{\text{Offset-RAT}}$  shall apply.
- Place a 5 MHz E-UTRA carrier at the high RF bandwidth edge. If that is not possible use the narrowest E-UTRA carrier supported by the BS. The specified  $F_{\text{Offset-RAT}}$  shall apply.
- For transmitter tests, alternately add UTRA TDD carriers at the low end and 5 MHz E-UTRA carriers at the high end adjacent to the already placed carriers until the RF bandwidth is filled or the total number of supported carriers is reached. The nominal carrier spacing defined in clause 4.5.1 shall apply.

#### 4.8.3.3 TC3 power allocation

Set the power of each carrier to the same power so that the sum of the carrier powers equals the rated total output power according to the manufacturer's declaration in subclause 4.7.2 c) and d).

### 4.8.3a NTC3: UTRA and E-UTRA multi RAT non-contiguous operation

The purpose of NTC3 is to test UTRA and E-UTRA multi RAT non-contiguous aspects.

If the rated total output power and total number of supported carriers are not simultaneously supported in Multi-RAT operations, two instances of NTC3 shall be generated using the following values for rated total output power and the total number of supported carriers:

- 1) The rated total output power and the reduced number of supported carriers at the rated total output power in Multi-RAT operations
- 2) The reduced total output power at the total number of supported carriers in Multi-RAT operations and the total number of supported carriers.

If the reduced number of supported carriers is 4 or more, only instance 1) of NTC3 shall be used in the tests, otherwise both instances 1) and 2) of NTC3 shall be used in the tests.

#### 4.8.3a.1 NTC3a generation

The purpose of NTC3a is to test UTRA and E-UTRA multi RAT non-contiguous aspects. NTC3a is constructed using the following method:

- The RF bandwidth shall be the declared maximum supported RF bandwidth for non-contiguous operation. The RF bandwidth consists of one sub-block gap and two sub-blocks located at the edges of the declared maximum supported RF bandwidth.
- For transmitter tests, place an UTRA carrier at the lower RF Bandwidth edge and a 5 MHz E-UTRA carrier at the upper RF bandwidth edge. The specified  $F_{\text{Offset-RAT}}$  shall apply. If 5 MHz E-UTRA carriers are not supported by the BS, the narrowest supported channel BW shall be selected instead. The UTRA FDD may be shifted maximum 100 kHz towards lower frequencies to align with the channel raster.
- For receiver tests, place an UTRA carrier at the lower RF Bandwidth edge and a 5 MHz E-UTRA carrier at the upper RF bandwidth edge. The specified  $F_{\text{Offset-RAT}}$  shall apply. If 5 MHz E-UTRA carriers are not supported by the BS, the narrowest supported channel BW shall be selected instead. The UTRA FDD may be shifted maximum 100 kHz towards lower frequencies to align with the channel raster.
- For single-band operation receiver tests, if the remaining gap is at least 20 MHz plus the channel BW of the E-UTRA carrier used in the previous step and the BS supports at least 2 UTRA and 2 E-UTRA carriers, place a E-UTRA carrier of this BW adjacent to the carrier at the lower RF bandwidth edge and UTRA carrier adjacent to the carrier at the upper RF bandwidth edge. The nominal carrier spacing defined in subclause 4.5.1 shall apply. The UTRA FDD may be shifted maximum 100 kHz towards higher frequencies to align with the channel raster.
- The sub-block edges adjacent to the sub-block gap shall be determined using the specified  $F_{\text{Offset-RAT}}$  for the carrier adjacent to the sub-block gap.

#### 4.8.3a.2 NTC3 power allocation

Set the power of each carrier to the same power so that the sum of the carrier powers equals the rated total output power according to the manufacturer's declaration in subclause 4.7.2 c) and d).

### 4.8.4 TC4: BC2 transmitter operation

The purpose of TC4 is to test multi-RAT operations with GSM for the transmitter.

If the rated total output power and total number of supported carriers are not simultaneously supported in Multi-RAT operations, two instances of TC4 shall be generated using the following values for rated total output power and the total number of supported carriers:

- 1) The rated total output power and the reduced number of supported carriers at the rated total output power in Multi-RAT operations
- 2) The reduced rated total output power at the total number of supported carriers in Multi-RAT operations and the total number of supported carriers.

If the rated total output power and total number of supported carriers are not simultaneously supported in Multi-RAT operations, tests that use TC4 shall be performed using both instances 1) and 2) of TC4, except tests for modulation accuracy in which only TC4 according to 2) shall be used.

#### 4.8.4.1 TC4a generation

TC4a is only applicable for a BS that supports UTRA and GSM. TC4a is constructed using the following method:

- The RF bandwidth shall be the declared maximum supported RF bandwidth.
- In the case of a BS supporting only one GSM carrier and one UTRA carrier, place a GSM carrier at the lower edge and a UTRA carrier at the upper edge of the RF bandwidth. The specified  $F_{\text{Offset-RAT}}$  shall apply
- Place a GSM carrier at the upper edge and a GSM carrier at the lower edge of the RF bandwidth. The specified  $F_{\text{Offset-RAT}}$  shall apply..
- Place two UTRA FDD carriers in the middle of the RF bandwidth. If two UTRA FDD carriers do not fit, place only one carrier in the middle of the RF bandwidth. The UTRA FDD carrier(s) may be shifted maximum 100 kHz towards lower frequencies for  $B_{\text{RFBW}}$  and  $M_{\text{RFBW}}$  and towards higher frequencies for  $T_{\text{RFBW}}$  to align with the channel raster.
- Add GSM carriers at the edges using 600 kHz spacing until no more GSM carriers are supported or no more GSM carriers fit.
- Add additional UTRA FDD carriers in the middle if possible.

#### 4.8.4.2 TC4b generation

TC4b is only applicable for a BS that supports E-UTRA and GSM. TC4b is constructed using the following method:

- The RF bandwidth shall be the declared maximum supported RF bandwidth.
- In the case of a BS supporting only one GSM carrier and one E-UTRA carrier, place a GSM carrier at the lower edge and a E-UTRA carrier at the upper edge of the RF bandwidth. The specified  $F_{\text{Offset-RAT}}$  shall apply.
- Place a GSM carrier at the upper edge and a GSM carrier at the lower edge of the RF bandwidth. The specified  $F_{\text{Offset-RAT}}$  shall apply.
- Place two 5 MHz E-UTRA carriers in the middle of the RF bandwidth. If the BS does not support 5 MHz channel BW use the narrowest supported BW, if two carriers do not fit place only one carrier.
- Add GSM carriers at the edges using 600 kHz spacing until no more GSM carriers are supported or no more GSM carriers fit.
- Add additional E-UTRA carriers of the same bandwidth as the already allocated E-UTRA carriers in the middle if possible.

#### 4.8.4.3 TC4c generation

TC4c is only applicable for a BS that supports UTRA, E-UTRA and GSM. TC4c is constructed using the following method:

- The RF bandwidth shall be the declared maximum supported RF bandwidth.
- Place a GSM carrier at the upper edge and a GSM carrier at the lower edge of the RF bandwidth. The specified  $F_{\text{Offset-RAT}}$  shall apply.
- In the case of a BS supporting only one GSM carrier and one E-UTRA or UTRA carrier, place a GSM carrier at the lower edge and a E-UTRA carrier at the upper edge of the RF bandwidth. The specified  $F_{\text{Offset-RAT}}$  shall apply.
- Place one 5 MHz E-UTRA carrier and one UTRA carrier in the middle of the RF bandwidth. If the BS does not support 5 MHz E-UTRA channel BW use the narrowest supported BW. The carrier(s) may be shifted maximum

100 kHz towards lower frequencies for  $B_{\text{RFBW}}$  and  $M_{\text{RFBW}}$  and towards higher frequencies for  $T_{\text{RFBW}}$  to align with the channel raster.

- Add GSM carriers at the edges using 600 kHz spacing until no more GSM carriers are supported or no more GSM carriers fit.
- Add additional UTRA and E-UTRA carriers in the middle if possible. For E-UTRA the same bandwidth as the already allocated E-UTRA carriers shall be used..

#### 4.8.4.4 TC4d generation

TC4d is only applicable for a BS that supports UTRA and GSM. TC4d is only applicable when [the declared RF bandwidth for GSM is not equal to the declared RF bandwidth for multi-RAT operations and] the frequency range within the frequency band supported by the BS is a subset of the operating band, or when the maximum supported RF bandwidth covers the entire operating band. TC4d is constructed using the following method:

- The RF bandwidth shall be 600 kHz less than the declared maximum supported RF bandwidth.
- The RF bandwidth shall be adjacent to the high end of the frequency range supported by the BS.
- Place a GSM carrier at the lower edge of the RF bandwidth. Add one GSM carrier, if the BS supports more than one GSM carrier, at the lower edge using 600 kHz spacing. The specified  $F_{\text{Offset-RAT}}$  shall apply.
- Put one UTRA carrier adjacent to the upper edge of the RF bandwidth. The specified  $F_{\text{Offset-RAT}}$  shall apply. The carrier may be shifted maximum 100 kHz towards higher frequencies to align with the channel raster.

#### 4.8.4.5 TC4e generation

TC4e is only applicable for a BS that supports E-UTRA and GSM. TC4e is only applicable when [the declared RF bandwidth for GSM is not equal to the declared RF bandwidth for multi-RAT operations and] the frequency range within the frequency band supported by the BS is a subset of the operating band, or when the maximum supported RF bandwidth covers the entire operating band. TC4e is constructed using the following method:

- The RF bandwidth shall be 600 kHz less than the declared maximum supported RF bandwidth.
- The RF bandwidth shall be adjacent to the upper edge of the frequency range supported by the BS.
- Place a GSM carrier at the lower edge of the RF bandwidth. Add one GSM carrier, if the BS supports more than one GSM carrier, at the lower edge using 600 kHz spacing. The specified  $F_{\text{Offset-RAT}}$  shall apply.
- Put one 5 MHz E-UTRA carrier adjacent to the upper edge of the RF bandwidth. If the BS does not support 5 MHz channel BW use the narrowest supported BW. The specified  $F_{\text{Offset-RAT}}$  shall apply.

#### 4.8.4.6 TC4 power allocation

- Unless otherwise stated, set each carrier to the same power so that the sum of the carrier powers equals the rated total output power according to manufacturer's declarations in subclause 4.7.2 a)
- In case that TC4 is configured for testing modulation quality, the power allocated per carrier for the RAT on which modulation quality is measured shall be the highest possible for the given modulation configuration according to the manufacturer's declarations in subclause 4.7.2, unless that power is higher than the level defined by case a). The power of the remaining carriers from other RAT(s) shall be set to the same level as in case a).

If in the case of b) the power of one RAT needs to be reduced in order to meet the manufacture's declaration, the power in the other RAT(s) does not need to be increased.

#### 4.8.4a NTC4: Non-contiguous multi RAT operations with GSM for the transmitter

The purpose of NTC4 is to test non-contiguous multi RAT operations with GSM for the transmitter.

If the rated total output power and total number of supported carriers are not simultaneously supported in Multi-RAT operations, two instances of NTC4 shall be generated using the following values for rated total output power and the total number of supported carriers:

- 1) The rated total output power and the reduced number of supported carriers at the rated total output power in Multi-RAT operations
- 2) The reduced rated total output power at the total number of supported carriers in Multi-RAT operations and the total number of supported carriers.

If the rated total output power and total number of supported carriers are not simultaneously supported in Multi-RAT operations, tests that use NTC4 shall be performed using both instances 1) and 2) of NTC4, except:

- 1) Tests for modulation accuracy in which only NTC4 according to 2) shall be used.
- 2) If the reduced number of supported carriers is 6 or more, only instance 1) of NTC4 shall be used.

#### 4.8.4a.1 NTC4a generation

NTC4a is only applicable for a BS that supports UTRA and GSM. NTC4a is constructed using the following method:

- The RF bandwidth shall be the declared maximum supported RF bandwidth for non-contiguous operation. The RF bandwidth consists of one sub-block gap and two sub-blocks located at the edges of the declared maximum supported RF bandwidth. The sub-block bandwidth shall be equal to 6MHz.
- If the BS supports up to 3 carriers, place one GSM carrier adjacent to the lower sub-block edge and one GSM carrier adjacent to the upper sub-block edge of the lower sub-block. Place a UTRA FDD carrier adjacent to the upper RF bandwidth edge. The upper sub-block edge adjacent to the sub-block gap shall be determined using the specified  $F_{\text{Offset-RAT}}$  for the UTRA carrier in the upper sub-block. The UTRA FDD carrier may be shifted maximum 100 kHz towards higher frequencies to align with the channel raster.
- If the BS supports up to 4 carriers, place one GSM carrier adjacent to the lower RF bandwidth edge and one GSM carrier adjacent to the upper RF bandwidth edge. Place one UTRA FDD carrier adjacent to the upper sub-block edge of the lower sub-block and one UTRA FDD carrier adjacent to the lower sub-block edge of the upper sub-block. The specified  $F_{\text{Offset-RAT}}$  shall apply. The UTRA FDD carrier in the lower sub-block may be shifted maximum 100 kHz towards higher frequencies and the UTRA FDD carrier in the upper sub-block may be shifted maximum 100 kHz towards lower frequencies to align with the channel raster.
- If the BS supports up to 5 carriers, place one GSM carrier adjacent to the lower RF bandwidth edge and one GSM carrier adjacent to the upper RF bandwidth edge. Place one GSM carrier adjacent to the upper sub-block edge of the lower sub-block, one UTRA FDD carrier adjacent to the lower sub-block edge of the upper sub-block and one UTRA FDD carrier in the middle of the lower sub-block bandwidth. The specified  $F_{\text{Offset-RAT}}$  shall apply. The UTRA FDD carrier in the upper sub-block may be shifted maximum 100 kHz towards lower frequencies to align with the channel raster.
- If the BS supports at least 6 carriers, place one GSM carrier adjacent to the lower RF bandwidth edge and one GSM carrier adjacent to the upper RF bandwidth edge. Place one GSM carrier adjacent to the upper sub-block edge of the lower sub-block and one GSM carrier adjacent to the lower sub-block edge of the upper sub-block. Place one UTRA FDD carrier in the middle of each sub-block bandwidth. The specified  $F_{\text{Offset-RAT}}$  shall apply.

#### 4.8.4a.2 NTC4b generation

NTC4b is only applicable for a BS that supports E-UTRA and GSM. NTC4b is constructed using the following method:

- The RF bandwidth shall be the declared maximum supported RF bandwidth for non-contiguous operation. The RF bandwidth consists of one sub-block gap and two sub-blocks located at the edges of the declared maximum supported RF bandwidth.
- If the BS supports up to 3 carriers, place one GSM carrier adjacent to the lower sub-block edge and one GSM carrier adjacent to the upper sub-block edge of the lower sub-block. Place a 5MHz E-UTRA carrier adjacent to the upper RF bandwidth edge. If 5 MHz E-UTRA carriers are not supported by the BS, the narrowest supported channel BW shall be selected instead. The lower sub-block bandwidth shall be equal to 6MHz. The upper sub-block edge adjacent to the sub-block gap shall be determined using the specified  $F_{\text{Offset-RAT}}$  for the carrier in the upper sub-block.



- If the BS supports up to 4 carriers, place one GSM carrier adjacent to the lower RF bandwidth edge and one GSM carrier adjacent to the upper RF bandwidth edge. Place one E-UTRA FDD carrier adjacent to the upper sub-block edge of the lower sub-block and one 5MHz E-UTRA carrier adjacent to the lower sub-block edge of the upper sub-block. If 5 MHz E-UTRA carriers are not supported by the BS, the narrowest supported channel BW shall be selected instead. The sub-block bandwidth shall be equal to the bandwidth of the allocated non-GSM carrier in that sub-block plus 1MHz. The specified  $F_{\text{Offset-RAT}}$  shall apply.
- If the BS supports up to 5 carriers, place one GSM carrier adjacent to the lower RF bandwidth edge and one GSM carrier adjacent to the upper RF bandwidth edge. Place one GSM carrier adjacent to the upper sub-block edge of the lower sub-block, Place one 5 MHz E-UTRA carrier adjacent to the lower sub-block edge of the upper sub-block and one 5MHz E-UTRA carrier in the middle of the lower sub-block bandwidth. If 5 MHz E-UTRA carriers are not supported by the BS, the narrowest supported channel BW shall be selected instead. The sub-block bandwidth shall be equal to the bandwidth of the allocated non-GSM carrier in that sub-block plus 1MHz. The specified  $F_{\text{Offset-RAT}}$  shall apply.
- If the BS supports at least 6 carriers, place one GSM carrier adjacent to the lower RF bandwidth edge and one GSM carrier adjacent to the upper RF bandwidth edge. Place one GSM carrier adjacent to the upper sub-block edge of the lower sub-block and one GSM carrier adjacent to the lower sub-block edge of the upper sub-block. Place one 5MHz E-UTRA carrier in the middle of the lower sub-block bandwidth and one 5MHz E-UTRA carrier in the middle of the upper sub-block bandwidth. If 5 MHz E-UTRA carriers are not supported by the BS, the narrowest supported channel BW shall be selected instead. The sub-block bandwidth shall be equal to the bandwidth of the allocated non-GSM carrier in that sub-block plus 1MHz. The specified  $F_{\text{Offset-RAT}}$  shall apply.

#### 4.8.4a.3 NTC4c generation

NTC4c is only applicable for a BS that supports UTRA, E-UTRA and GSM. NTC4c is constructed using the following method:

- The RF bandwidth shall be the declared maximum supported RF bandwidth for non-contiguous operation. The RF bandwidth consists of one sub-block gap and two sub-blocks located at the edges of the declared maximum supported RF bandwidth.
- If the BS supports up to 3 carriers, place one GSM carrier adjacent to the lower sub-block edge and one UTRA FDD carrier adjacent to the upper sub-block edge of the lower sub-block. Place a 5MHz E-UTRA carrier adjacent to the upper RF bandwidth edge. If 5 MHz E-UTRA carriers are not supported by the BS, the narrowest supported channel BW shall be selected instead. The lower sub-block bandwidth shall be equal to 6MHz. The upper sub-block edge adjacent to the sub-block gap shall be determined using the specified  $F_{\text{Offset-RAT}}$  for the carrier in the upper sub-block. The UTRA FDD carrier may be shifted maximum 100 kHz towards higher frequencies to align with the channel raster.
- If the BS supports up to 4 carriers, place one GSM carrier adjacent to the lower RF bandwidth edge and one GSM carrier adjacent to the upper RF bandwidth edge. Place one UTRA FDD carrier adjacent to the upper sub-block edge of the lower sub-block and one 5MHz E-UTRA carrier adjacent to the lower sub-block edge of the upper sub-block. If 5 MHz E-UTRA carriers are not supported by the BS, the narrowest supported channel BW shall be selected instead. The sub-block bandwidth shall be equal to the bandwidth of the allocated non-GSM carrier in that sub-block plus 1MHz. The specified  $F_{\text{Offset-RAT}}$  shall apply. The UTRA FDD carrier may be shifted maximum 100 kHz towards higher frequencies to align with the channel raster.
- If the BS supports up to 5 carriers, place one GSM carrier adjacent to the lower RF bandwidth edge and one GSM carrier adjacent to the upper RF bandwidth edge. Place one GSM carrier adjacent to the upper sub-block edge of the lower sub-block. Place one 5MHz E-UTRA carrier adjacent to the lower sub-block edge of the upper sub-block and one UTRA FDD carrier in the middle of the lower sub-block bandwidth. If 5 MHz E-UTRA carriers are not supported by the BS, the narrowest supported channel BW shall be selected instead. The sub-block bandwidth shall be equal to the bandwidth of the allocated non-GSM carrier in that sub-block plus 1MHz. The specified  $F_{\text{Offset-RAT}}$  shall apply.
- If the BS supports at least 6 carriers, place one GSM carrier adjacent to the lower RF bandwidth edge and one GSM carrier adjacent to the upper RF bandwidth edge. Place one GSM carrier adjacent to the upper sub-block edge of the lower sub-block and one GSM carrier adjacent to the lower sub-block edge of the upper sub-block. Place one UTRA FDD carrier in the middle of the lower sub-block bandwidth and one 5MHz E-UTRA carrier in the middle of the upper sub-block bandwidth. If 5 MHz E-UTRA carriers are not supported by the BS, the narrowest supported channel BW shall be selected instead. The sub-block bandwidth shall be equal to the bandwidth of the allocated non-GSM carrier in that sub-block plus 1MHz. The specified  $F_{\text{Offset-RAT}}$  shall apply.

#### 4.8.4a.4 NTC4 power allocation

- a) Unless otherwise stated, set each carrier to the same power so that the sum of the carrier powers equals the rated total output power according to manufacturer's declarations in subclause 4.7.2 a)
- b) In case that NTC4 is configured for testing modulation quality, the power allocated per carrier for the RAT on which modulation quality is measured shall be the highest possible for the given modulation configuration according to the manufacturer's declarations in subclause 4.7.2, unless that power is higher than the level defined by case a). The power of the remaining carriers from other RAT(s) shall be set to the same level as in case a).

If in the case of b) the power of one RAT needs to be reduced in order to meet the manufacture's declaration the power in the other RAT(s) does not need to be increased.

### 4.8.5 TC5: BC2 receiver operation

#### 4.8.5.1 TC5a generation

TC5a is constructed using the following method:

- The RF bandwidth shall be the declared maximum supported RF bandwidth.
- Place a GSM carrier at the low RF bandwidth edge. The specified  $F_{\text{Offset-RAT}}$  shall apply.
- Place a UTRA FDD carrier at the high RF bandwidth edge. The specified  $F_{\text{Offset-RAT}}$  shall apply. The UTRA FDD carrier may be shifted maximum 100 kHz towards higher frequencies to align with the channel raster.

#### 4.8.5.2 TC5b generation

TC5b is constructed using the following method:

- The RF bandwidth shall be the declared maximum supported RF bandwidth.
- Place a GSM carrier at the low RF bandwidth edge. The specified  $F_{\text{Offset-RAT}}$  shall apply.
- Place a 5MHz E-UTRA carrier at the high RF bandwidth edge. If the BS does not support 5 MHz channel BW select the narrowest supported channel BW. The specified  $F_{\text{Offset-RAT}}$  shall apply.

### 4.8.5a NTC5: Non-contiguous multi RAT operations with GSM for the receiver

The purpose of NTC5 is to test non-contiguous multi RAT operations with GSM for the receiver.

#### 4.8.5a.1 NTC5a generation

NTC5a is only applicable for a BS that supports UTRA and GSM. NTC5a is constructed using the following method:

- The RF bandwidth shall be the declared maximum supported RF bandwidth for non-contiguous operation. The RF bandwidth consists of one sub-block gap and two sub-blocks located at the edges of the declared maximum supported RF bandwidth. The sub-block bandwidth shall be equal to 6MHz.
- If the BS supports up to 3 carriers use the method to generate NTC4a for up to 3 carriers.
- If the BS supports at least 4 carriers use the method to generate NTC4a for up to 4 carriers.

#### 4.8.5a.2 NTC5b generation

NTC5c is only applicable for a BS that supports E-UTRA and GSM. NTC5b is constructed using the following method:

- The RF bandwidth shall be the declared maximum supported RF bandwidth for non-contiguous operation. The RF bandwidth consists of one sub-block gap and two sub-blocks located at the edges of the declared maximum supported RF bandwidth.

- If the BS supports up to 3 carriers use the method to generate NTC4b for up to 3 carriers.
- If the BS supports at least 4 carriers use the method to generate NTC4b for up to 4 carriers.

#### 4.8.5a.3 NTC5c generation

NTC5c is only applicable for a BS that supports UTRA, E-UTRA and GSM. NTC5c is constructed using the following method:

- The RF bandwidth shall be the declared maximum supported RF bandwidth for non-contiguous operation. The RF bandwidth consists of one sub-block gap and two sub-blocks located at the edges of the declared maximum supported RF bandwidth.
- If the BS supports up to 3 carriers use the method to generate NTC4c for up to 3 carriers.
- If the BS supports at least 4 carriers use the method to generate NTC4c for up to 4 carriers.

### 4.8.6 TC6: Single carrier for receiver tests

#### 4.8.6.1 TC6a generation

TC6a is constructed using the following method:

- Place a single UTRA carrier in the middle of the maximum supported RF bandwidth. The carrier may be shifted maximum 100 kHz towards lower frequencies for  $B_{\text{RFBW}}$  and  $M_{\text{RFBW}}$  and towards higher frequencies for  $T_{\text{RFBW}}$  to align with the channel raster.

#### 4.8.6.2 TC6b generation

TC6b is constructed using the following method:

- Place the narrowest supported E-UTRA carrier in the middle of the maximum supported RF bandwidth.

#### 4.8.6.3 TC6c generation

TC6c is constructed using the following method:

- Place a single UTRA TDD carrier in the middle of the maximum supported RF bandwidth.

### 4.8.7 Generation of MB-MSR test configurations

#### 4.8.7.1 TC7a: MB-MSR test configuration for full carrier allocation

The purpose of TC7a is to test multi-band operation aspects considering maximum supported number of carriers.

##### 4.8.7.1.1 TC7a generation

TC7a is based on re-using the existing test configurations applicable per band involved in multi-band operation. TC7a is constructed using the following method:

- The RF bandwidth of each supported operating band in multi-band operation shall be the declared maximum RF bandwidth of each supported operating band in multi-band operation.
- The number of carriers of each supported operating band shall be the declared maximum number of supported carriers of each supported operating band in multi-band operation. Carriers shall first be placed at the outermost edges of the declared maximum radio bandwidth. Additional carriers shall next be placed at the edges of the RF bandwidths, if possible.
- The allocated RF bandwidth of the outermost bands shall be located at the outermost edges of the declared maximum radio bandwidth.

- Each concerned band shall be considered as an independent band and the corresponding test configuration shall be generated in each band. The mirror image of the single band test configuration shall be used in the highest band being tested for the BS to ensure a narrowband carrier being placed at both edges of the BS maximum radio bandwidth.
- Band category and declared per band capability set shall be used to generate per band RAT/carrier allocation according to Table 4.8.7.1.1-1 for each band category and capability set. If a multi-band BS supports only 3 carriers, two carriers shall be placed in one band according to the relevant test configuration while the remaining carrier shall be placed at the edge of the maximum radio bandwidth in the other band.
- If the sum of the maximum RF bandwidth of each supported operating bands is larger than the declared total RF bandwidth of transmitter and receiver for the declared band combinations of the BS, repeat the steps above for test configurations where the RF bandwidth of one of the operating band shall be reduced so that the total RF bandwidth of transmitter and receiver is not exceeded and vice versa.
- If the sum of the maximum number of supported carrier of each supported operating bands in multi-band operation is larger than the declared total number of supported carriers for the declared band combinations of the BS, repeat the steps above for test configurations where in each test configuration the number of carriers of one of the operating band shall be reduced so that the total number of supported carriers is not be exceeded and vice versa.

**Table 4.8.7.1.1-1: The applicability of test configuration in each band**

| BC  | CS 1 | CS 2 | CS 3 | CS 4        | CS 5        | CS 6        |
|-----|------|------|------|-------------|-------------|-------------|
| BC1 | TC1a | TC2  | TC3a | N/A         | N/A         | N/A         |
| BC2 | TC1a | TC2  | TC3a | TC4a for TX | TC4b for TX | TC4c for TX |
| BC3 | TC1b | TC2  | TC3b | N/A         | N/A         | N/A         |

#### 4.8.7.1.2 TC7a power allocation

Unless otherwise stated, set the power of each carrier in all supported operating bands to the same power so that the sum of the carrier powers equals the rated total output power according to the manufacturer's declaration.

If the allocated power of a supported operating band(s) exceeds the declared rated total output power of the operating band(s) in multi-band operation, the exceeded part shall, if possible, be reallocated into the other band(s). If the power allocated for a carrier exceeds the rated carrier output power declared for that carrier, the exceeded power shall, if possible, be reallocated into the other carriers.

#### 4.8.7.2 TC7b: MB-MSR test configuration with high PSD per carrier

The purpose of TC7b is to test multi-band operation aspects considering higher PSD cases with reduced number of carriers.

##### 4.8.7.2.1 TC7b generation

TC7b is based on re-using the existing test configurations applicable per band involved in multi-band operation. TC7b is constructed using the following method:

- The RF bandwidth of each supported operating band in multi-band operation shall be the declared maximum RF bandwidth of each supported operating band in multi-band operation.
- The allocated RF bandwidth of the outermost bands shall be located at the outermost edges of the declared maximum radio bandwidth.
- The maximum number of carriers for a BC2 band is limited to three per band for transmitter tests when the BS supports CS4, CS5 or CS6. In all other tests, the maximum number of carriers is limited to two per band. Carriers shall first be placed at the outermost edges of the declared maximum radio bandwidth. Additional carriers shall next be placed at the edges of the RF bandwidths and then in the middle of the RF bandwidths, if possible.
- Narrowest supported E-UTRA channel bandwidth shall be used in the test configuration.

- For BS supporting CS1, CS2 or CS3 in the band, each concerned band shall be considered as an independent band and the corresponding test configuration for non-contiguous operation shall be generated in each band according to Table 4.8.7.2.1-1. The mirror image of the single band test configuration shall be used in the highest band being tested for the BS to ensure a narrowband carrier being placed at both edges of the BS maximum radio bandwidth.
- If the maximum supported number of carriers is two for a BC2 band when the BS supports CS4, CS5 or CS6, place the UTRA/E-UTRA carrier at the RF bandwidth edge adjacent to the inter RF bandwidth gap, place the GSM/EDGE carrier at the edge of the declared maximum radio bandwidth.
- If the maximum supported number of carriers is three or more for a BC2 band when the BS supports CS4, CS5 or CS6, place one GSM/EDGE carrier at the RF bandwidth edge adjacent to the inter RF bandwidth gap, place the second GSM/EDGE carrier at the edge of the declared maximum radio bandwidth, place the UTRA/E-UTRA carrier in the middle of the RF bandwidth.
- If the sum of the maximum RF bandwidth of each supported operating bands is larger than the declared total RF bandwidth of transmitter and receiver for the declared band combinations of the BS, repeat the steps above for test configurations where the RF bandwidth of one of the operating band shall be reduced so that the total RF bandwidth of transmitter and receiver is not exceeded and vice versa.

**Table 4.8.7.2.1-1: The applicability of test configuration in each band**

| BC  | CS 1  | CS 2 | CS 3  |
|-----|-------|------|-------|
| BC1 | NTC1a | NTC2 | NTC3a |
| BC2 | NTC1a | NTC2 | NTC3a |
| BC3 | TC1b  | NTC2 | NTC3a |

#### 4.8.7.2.2 TC7b power allocation

Unless otherwise stated, set the power of each carrier in all supported operating bands to the same power so that the sum of the carrier powers equals the rated total output power according to the manufacturer's declaration.

If the allocated power of a supported operating band(s) exceeds the declared rated total output power of the operating band(s) in multi-band operation, the exceeded part shall, if possible, be reallocated into the other band(s). If the power allocated for a carrier exceeds the rated carrier output power declared for that carrier, the exceeded power shall, if possible, be reallocated into the other carriers.

#### 4.8.7.3 TC7c: MB-MSR test configuration with GSM/EDGE single RAT operation in one band

The purpose of TC7c is to test single-RAT GSM/EDGE UEM requirement for multi-band base station supporting GSM/EDGE single-RAT operation in BC2 band.

##### 4.8.7.3.1 TC7c generation

TC7c is constructed using the following method:

- The RF bandwidth of each supported operating band in multi-band operation shall be the declared maximum RF bandwidth of each supported operating band in multi-band operation.
- The allocated RF bandwidth of the outermost bands shall be located at the outermost edges of the declared maximum radio bandwidth.
- If the BS supports one BC1 band and one BC2 band, the maximum number of carriers in a test configuration for BC1 band is limited to two. A UTRA/E-UTRA carrier from BC1 shall first be placed at the outermost edge of the declared maximum radio bandwidth. If two or more carriers are supported in BC1 band, additional UTRA/E-UTRA carrier shall next be placed at the BC1 RF bandwidth edge adjacent to the inter RF bandwidth gap. For BC2 band, where GSM/EDGE single-RAT operation is supported, one GSM/EDGE carrier shall first be placed at the other outermost edge of the declared maximum radio bandwidth and additional GSM/EDGE carriers shall be placed within the declared maximum RF bandwidth for the GSM/EDGE single-RAT BC2 band according to test case b) in TS 51.021 clause 6.12.2.

- If the BS supports two BC2 bands, the maximum number of carriers in a test configuration is two for a BC2 band where CS1, CS2 or CS3 is supported.  
One UTRA/E-UTRA carrier from the BC2 band, where CS1, CS2 or CS3 is supported, shall first be placed at the outermost edge of the declared maximum radio bandwidth. If two or more carriers are supported in this BC2 band, additional UTRA/E-UTRA carrier shall next be placed at the RF bandwidth edge adjacent to the inter RF bandwidth gap. For BC2 band, where GSM/EDGE single-RAT operation is supported, place GSM/EDGE carrier at the other outermost edge of the declared maximum radio bandwidth, additional GSM/EDGE carriers shall be placed within the declared maximum RF bandwidth for the GSM/EDGE single-RAT BC2 band according to test case b) in TS 51.021 clause 6.12.2.
- If the BS supports two BC2 bands and CS4, CS5 or CS6 are supported for both bands, the maximum number of carriers for one BC2 band configured to multi-RAT operation is limited to three.
  - For the GSM/EDGE single-RAT BC2 band, one GSM/EDGE carrier shall first be placed at the outermost edge of the declared maximum radio bandwidth, additional GSM/EDGE carriers for the BC2 band shall be placed within the declared maximum RF bandwidth for the GSM/EDGE single-RAT BC2 band according to test case b) in TS 51.021 clause 6.12.2.
  - For the multi-RAT BC2 band, if the maximum supported number of carriers is two, place the UTRA/E-UTRA carrier at the RF bandwidth edge adjacent to the inter RF bandwidth gap, then place the GSM/EDGE carrier at the other edge of the declared maximum radio bandwidth.
  - For the multi-RAT BC2 band, if the maximum supported number of carriers is three or more, place one GSM/EDGE carrier at the RF bandwidth edge adjacent to the inter RF bandwidth gap, then place the second GSM/EDGE carrier at the other edge of the declared maximum radio bandwidth, then place the UTRA/E-UTRA carrier in the middle of the RF bandwidth.

Repeat the steps above with the allocated carriers swapped between the two BC2 bands so that each BC2 band is tested once according to test case b) in TS 51.021 clause 6.12.2.

- The narrowest supported E-UTRA channel bandwidth shall be used in the test configuration for BC1 band.
- If the sum of the maximum RF bandwidth of each supported operating bands is larger than the declared total bandwidth of transmitter and receiver for the declared band combinations of the BS, repeat the steps above for test configurations where the RF bandwidth of one of the operating band shall be reduced so that the total RF bandwidth of transmitter and receiver is not exceeded and vice versa.

#### 4.8.7.3.2 TC7c power allocation

Unless otherwise stated, set the power of each carrier in all supported operating bands to the same power so that the sum of the carrier powers equals the rated total output power according to the manufacturer's declaration.

If the allocated power of a supported operating band(s) exceeds the declared rated total output power of the operating band(s) in multi-band operation, the exceeded part shall, if possible, be reallocated into the other band(s). If the power allocated for a carrier exceeds the rated carrier output power declared for that carrier, the exceeded power shall, if possible, be reallocated into the other carriers.

## 4.9 RF channels and test models

### 4.9.1 RF channels

Many tests in this TS are performed with the maximum RF bandwidth located at the bottom, middle and top of the supported frequency range in the operating band. These are denoted as  $B_{\text{RFBW}}$  (bottom),  $M_{\text{RFBW}}$  (middle) and  $T_{\text{RFBW}}$  (top).

Unless otherwise stated, the test shall be performed at  $B_{\text{RFBW}}$ ,  $M_{\text{RFBW}}$  and  $T_{\text{RFBW}}$  defined as following:

$B_{\text{RFBW}}$ : maximum RF bandwidth located at the bottom of the supported frequency range in the operating band.

$M_{\text{RFBW}}$ : maximum RF bandwidth located in the middle of the supported frequency range in the operating band.  
 $M_{\text{RFBW}}$  may be shifted maximum 100 kHz towards lower frequencies to align carriers with the channel raster.

$T_{\text{RFBW}}$ : maximum RF bandwidth located at the top of the supported frequency range in the operating band.

For the test of certain RF requirements the present specification refers to test procedures defined in the single-RAT specifications. In this case, the interpretation of the RF channels to be tested shall be according to the definitions in the corresponding single-RAT specifications.

For BS capable of dual-band operation, unless otherwise stated, the test shall be performed at  $B_{\text{RFBW}_T}$  and  $B''_{\text{RFBW}_T}$  defined as following:

- $B_{\text{RFBW}_T}$ : the RF bandwidths located at the bottom of the supported frequency range in the lower operating band and at the highest possible simultaneous frequency position, within the maximum radio bandwidth, in the upper operating band.
- $B''_{\text{RFBW}_T}$ : the RF bandwidths located at the top of the supported frequency range in the upper operating band and at the lowest possible simultaneous frequency position, within the maximum radio bandwidth, in the lower operating band.

NOTE:  $B_{\text{RFBW}_T} = B''_{\text{RFBW}_T} = B_{\text{RFBW}_T}$  when the declared maximum radio bandwidth spans both operating bands.  $B_{\text{RFBW}_T}$  means the RF bandwidths are located at the bottom of the supported frequency range in the lower operating band and at the top of the supported frequency range in the upper operating band.

When a test is performed by a test laboratory, the position of  $B_{\text{RFBW}}$ ,  $M_{\text{RFBW}}$  and  $T_{\text{RFBW}}$  in each supported operating band, the position of  $B_{\text{RFBW}_T}$  and  $B''_{\text{RFBW}_T}$  in the supported operating band combinations shall be specified by the laboratory. The laboratory may consult with operators, the manufacturer or other bodies.

## 4.9.2 Test models

- a) Unless otherwise stated, carriers within MSR test configurations used for transmitter tests shall be configured as follows:
  - UTRA FDD carriers shall be configured according to TM1 as defined in TS 25.141 [10] subclause 6.1.1.1.
  - UTRA TDD carriers shall be configured according to Table 6.1A as defined in TS 25.142 [12] subclause 6.2.4.1.2.
  - E-UTRA carriers shall be configured according to E-TM1 as defined in TS 36.141 [9] subclause 6.1.1.1. For BC3 CS3 BS testing, E-UTRA carriers shall be configured according to E-TM1\_BC3CS3 defined in Annex E.
  - GSM carriers shall use GMSK modulation as defined in TS 51.021 [11] clause 6.2.2.
- b) The configuration of the carriers in test configurations used for testing modulation quality and frequency error shall be as follows:
  - For the case that modulation accuracy is measured for UTRA FDD, the UTRA FDD carriers shall be configured according to the supported TM1, TM4 and if HS-PDSCH transmission using 16QAM is supported also TM5 as defined in TS 25.141 [10] subclause 6.1.1.1, 6.1.1.4 and 6.1.1.4A whilst any remaining carriers from other RAT(s) shall be configured according to a).
  - For the case that modulation accuracy is measured for UTRA TDD, the UTRA TDD carriers shall be configured according to the supported modulation in Table 6.2A, Table 6.39A, Table 6.39B, Table 6.39C, Table 6.39D, Table 6.40A, Table 6.40B, Table 6.41A, Table 6.41B as defined in TS 25.142 [12] subclause 6.3.4, 6.8.1, 6.8.2 and 6.8.3 whilst any remaining carriers from other RAT(s) shall be configured according to a).
  - For the case that modulation accuracy is measured for E-UTRA, the E-UTRA carriers shall be configured according to the supported E-TM3.1, E-TM3.2, E-TM3.3 and E-TM2 as defined in TS 36.141 [9] subclause 6.1.1.4, 6.1.1.5, 6.1.1.6 and 6.1.1.3 whilst any remaining carriers from other RAT(s) shall be configured according to a). For BC3 CS3 BS testing, E-UTRA carriers shall be configured according to E-TM3.1\_BC3CS3, E-TM3.2\_BC3CS3, E-TM3.3\_BC3CS3 and E-TM2\_BC3CS3 defined in Annex E.

- For the case that modulation accuracy is measured for GSM, the GSM carriers shall be configured for the supported modulation according to TS 51.021 [11] clause 6.2.2 whilst any remaining carriers from other RAT(s) shall be configured according to a).

For the test of certain RF requirements clause 5 refers to the test configurations as defined in the single-RAT specifications. In this case, the transmitter test signals and test models as defined within the referred test specification for the RF requirement shall be used.

## 4.10 BS configurations

### 4.10.1 Transmit configurations

Unless otherwise stated, the transmitter characteristics in clause 6 are specified at the BS antenna connector (test port A) with a full complement of transceivers for the configuration in normal operating conditions. If any external apparatus such as a TX amplifier, a filter or the combination of such devices is used, requirements apply at the far end antenna connector (test port B).

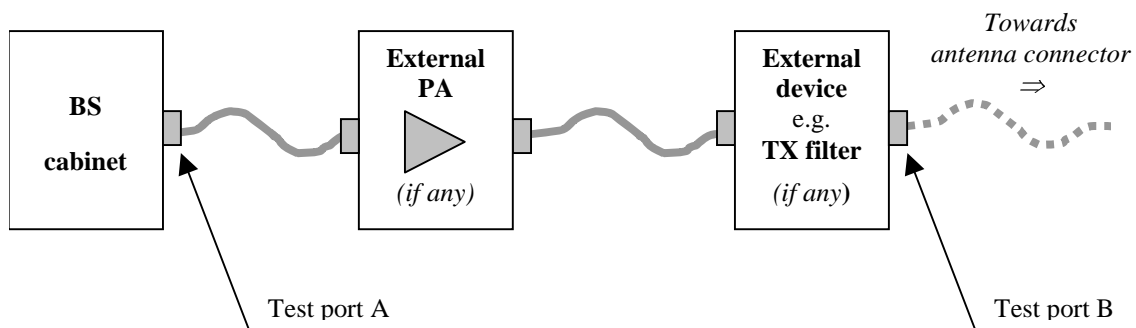


Figure 4.10.1-1: Transmitter test ports

#### 4.10.1.1 Transmission with multiple transmitter antenna connectors

Unless otherwise stated, for the tests in clause 6 of the present document, the requirement applies for each transmitter antenna connector in the case of transmission with multiple transmitter antenna connectors.

Transmitter requirements are tested at the antenna connector, with the remaining antenna connector(s) being terminated. If the manufacturer has declared the transmitter paths to be equivalent, it is sufficient to measure the signal at any one of the transmitter antenna connectors.

### 4.10.2 Receive configurations

Unless otherwise stated, the receiver characteristics in clause 7 are specified at the BS antenna connector (test port A) with a full complement of transceivers for the configuration in normal operating conditions. If any external apparatus such as a RX amplifier, a filter or the combination of such devices is used, requirements apply at the far end antenna connector (test port B).

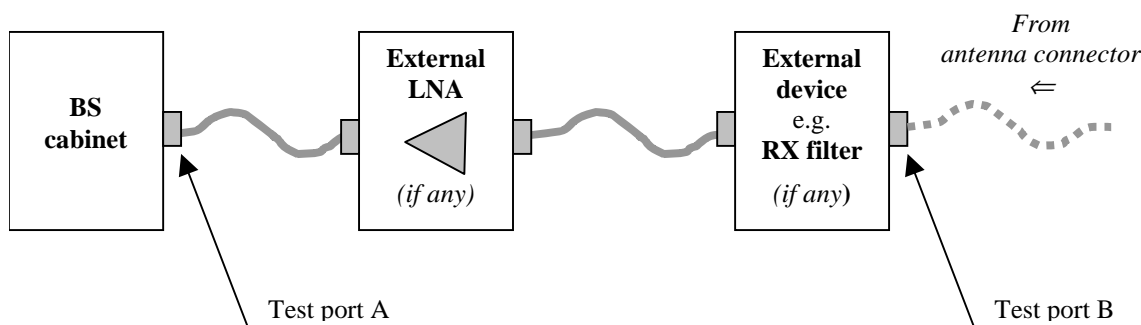


Figure 4.10.2-1: Receiver test ports



#### 4.10.2.1 Reception with multiple receiver antenna connectors, receiver diversity

For the tests in clause 7 of the present document, the requirement applies at each receiver antenna connector for receivers with antenna diversity or in the case of multi-carrier reception with multiple receiver antenna connectors.

Receiver requirements are tested at the antenna connector, with the remaining receiver(s) disabled or their antenna connector (s) being terminated. If the manufacturer has declared the receiver paths to be equivalent, it is sufficient to apply the specified test signal at any one of the receiver antenna connectors.

For a multi-band BS, multi-band tests for blocking and intermodulation are performed with the interferer(s) applied to each antenna connector mapped to the receiver for the wanted signal(s), however only to one antenna at a time. Antenna connectors to which no signals are applied are terminated.

#### 4.10.3 Duplexers

The requirements of the present document shall be met with a duplexer fitted, if a duplexer is supplied as part of the BS.

NOTE: The present release of this specification does not contain test requirements for the case that the duplexer is supplied as an option by the manufacturer. This is left for future releases.

#### 4.10.4 Power supply options

If the BS is supplied with a number of different power supply configurations, it may not be necessary to test RF parameters for each of the power supply options, provided that it can be demonstrated that the range of conditions over which the equipment is tested is at least as great as the range of conditions due to any of the power supply configurations.

This applies particularly if a BS contains a DC rail which can be supplied either externally or from an internal mains power supply. In this case, the conditions of extreme power supply for the mains power supply options can be tested by testing only the external DC supply option. The range of DC input voltages for the test should be sufficient to verify the performance with any of the power supplies, over its range of operating conditions within the BS, including variation of mains input voltage, temperature and output current.

#### 4.10.5 Ancillary RF amplifiers

The requirements of the present document shall be met with the ancillary RF amplifier fitted. At tests according to clauses 6 and 7 for TX and RX respectively, the ancillary amplifier is connected to the BS by a connecting network (including any cable(s), attenuator(s), etc.) with applicable loss to make sure the appropriate operating conditions of the ancillary amplifier and the BS. The applicable connecting network loss range is declared by the manufacturer. Other characteristics and the temperature dependence of the attenuation of the connecting network are neglected. The actual attenuation value of the connecting network is chosen for each test as one of the applicable extreme values. The lowest value is used unless otherwise stated.

Sufficient tests should be repeated with the ancillary amplifier fitted and, if it is optional, without the ancillary RF amplifier to verify that the BS meets the requirements of the present document in both cases.

When testing, the following tests shall be repeated with the optional ancillary amplifier fitted according to Table 4.10.5-1, where x denotes that the test is applicable:

**Table 4.10.5-1 Tests applicable to ancillary RF Amplifiers**

| Receiver Tests    | Subclause | TX amplifier only | RX amplifier only | TX/RX amplifiers combined (Note) |
|-------------------|-----------|-------------------|-------------------|----------------------------------|
|                   | 7.2       |                   | X                 | X                                |
|                   | 7.4       |                   | X                 | X                                |
|                   | 7.5       |                   | X                 | X                                |
|                   | 7.6       |                   | X                 | X                                |
|                   | 7.7       |                   | X                 |                                  |
| Transmitter Tests | 6.2       | X                 |                   | X                                |
|                   | 6.6.1     | X                 |                   | X                                |
|                   | 6.6.2     | X                 |                   | X                                |
|                   | 6.6.3     | X                 |                   | X                                |
|                   | 6.6.4     | X                 |                   | X                                |
|                   | 6.7       | X                 |                   | X                                |

NOTE: Combining can be by duplex filters or any other network. The amplifiers can either be in RX or TX branch or in both. Either one of these amplifiers could be a passive network.

In test according to subclauses 6.2 and 7.2 highest applicable attenuation value is applied.

#### 4.10.6 BS with integrated Iuant BS modem

Unless otherwise stated, for the tests in the present document, the integrated Iuant BS modem shall be switched off. Spurious emissions according to clauses 6.6.4 and 7.7 shall be measured only for frequencies above 20MHz with the integrated Iuant BS modem switched on.

#### 4.10.7 BS using antenna arrays

A BS may be configured with a multiple antenna port connection for some or all of its transceivers or with an antenna array related to one cell (not one array per transceiver). This subclause applies to a BS which meets at least one of the following conditions:

- the transmitter output signals from one or more transceiver appear at more than one antenna port; or
- there is more than one receiver antenna port for a transceiver or per cell and an input signal is required at more than one port for the correct operation of the receiver thus the outputs from the transmitters as well as the inputs to the receivers are directly connected to several antennas (known as "aircombining"); or
- transmitters and receivers are connected via duplexers to more than one antenna.

In case of diversity or spatial multiplexing, multiple antennas are not considered as an antenna array.

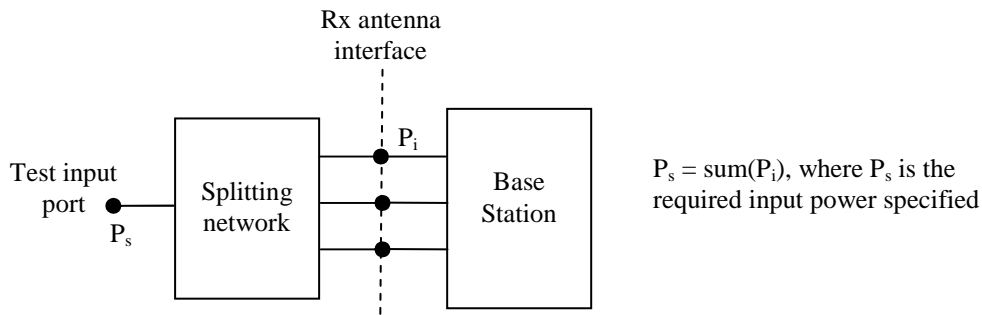
If a BS is used, in normal operation, in conjunction with an antenna system which contains filters or active elements which are necessary to meet the BS requirements, the conformance tests may be performed on a system comprising the BS together with these elements, supplied separately for the purposes of testing. In this case, it must be demonstrated that the performance of the configuration under test is representative of the system in normal operation, and the conformance assessment is only applicable when the BS is used with the antenna system.

For conformance testing of such a BS, the following procedure may be used.

##### 4.10.7.1 Receiver tests

For each test, the test signals applied to the receiver antenna connectors shall be such that the sum of the powers of the signals applied equals the power of the test signal(s) specified in the test.

An example of a suitable test configuration is shown in figure 4.10.7.1-1.



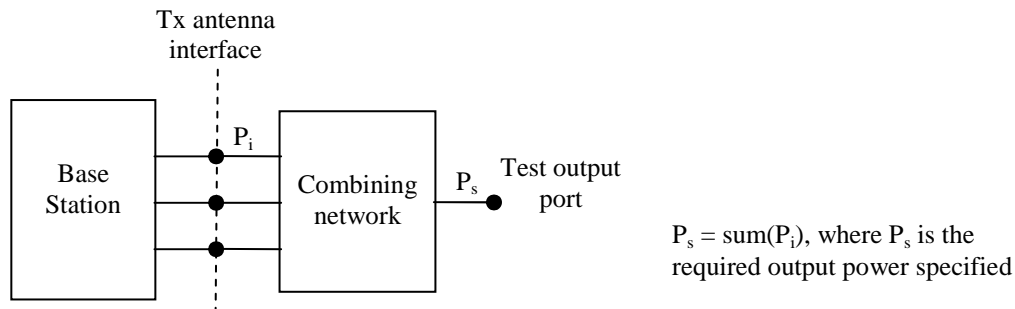
**Figure 4.10.7.1-1: Receiver test set-up**

For spurious emissions from the receiver antenna connector, the test may be performed separately for each receiver antenna connector.

#### 4.10.7.2 Transmitter tests

For each test, the test signals applied to the transmitter antenna connectors ( $P_i$ ) shall be such that the sum of the powers of the signals applied equals the power of the test signal(s) ( $P_s$ ) specified in the test. This may be assessed by separately measuring the signals emitted by each antenna connector and summing the results, or by combining the signals and performing a single measurement. The characteristics (e.g. amplitude and phase) of the combining network should be such that the power of the combined signal is maximised.

An example of a suitable test configuration is shown in figure 4.10.7.2-1.



**Figure 4.10.7.2-1: Transmitter test set-up**

For Intermodulation attenuation, the test may be performed separately for each transmitter antenna connector.

## 4.11 Format and interpretation of tests

Each test in the following clauses has a standard format:

### X Title

All tests are applicable to all equipment within the scope of the present document, unless otherwise stated.

#### X.1 Definition and applicability

This subclause gives the general definition of the parameter under consideration and specifies whether the test is applicable to all equipment or only to a certain subset. Required manufacturer declarations may be included here.

#### X.2 Minimum requirement

This subclause contains the reference to the subclause to the 3GPP reference (or core) specification which defines the minimum requirement.

### **X.3 Test purpose**

This subclause defines the purpose of the test.

### **X.4 Method of test**

#### **X.4.1 Initial conditions**

This subclause defines the initial conditions for each test, including the test environment, the RF channels to be tested and the basic measurement set-up. For the test of certain RF requirements the present specification refers to the test method of the single-RAT specifications. In this case, the initial conditions as defined within the referred test specification for the RF requirement shall be used.

#### **X.4.2 Procedure**

This subclause describes the steps necessary to perform the test and provides further details of the test definition like point of access (e.g. test port), domain (e.g. frequency-span), range, weighting (e.g. bandwidth), and algorithms (e.g. averaging). For the test of certain RF requirements the present specification refers to the test method of the single-RAT specifications. In this case, the test procedure as defined within the referred test specification for the RF requirement shall be used.

### **X.5 Test requirement**

This subclause defines the pass/fail criteria for the equipment under test. See subclause 4.1.3 Interpretation of measurement results. For the test of certain RF requirements the present specification refers to the requirements of the single-RAT specifications. In this case, the test requirement as defined within the referred test specification for the RF requirement shall be used.

## **4.12 Requirements for BS capable of multi-band operation**

For BS capable of multi-band operation, the RF requirements in clause 6 and 7 apply for each supported operating band unless otherwise stated. For some requirements it is explicitly stated that specific additions or exclusions to the requirement apply for BS capable of multi-band operation. In the case of multiband operation of a BS, single-RAT operation and the corresponding applicability of the requirements for each operating band is determined based on the RAT configuration within only that operating band, unless otherwise stated.

For BS capable of multi-band operation, various structures in terms of combinations of different transmitter and receiver implementations (multi-band or single band) with mapping of transceivers to one or more antenna port(s) in different ways are possible. In the case where multiple bands are mapped on separate antenna connectors, the following applies:

- Single-band transmitter spurious emissions, operating band unwanted emissions, ACLR, transmitter intermodulation and receiver spurious emissions requirements apply to each antenna connector.
- If the BS is configured for single-band operation, single-band requirements shall apply to the antenna connector configured for single-band operation and no exclusions or provisions for multi-band capable BS are applicable. Single-band requirements are tested separately at the antenna connector configured for single-band operation, with all other antenna connectors terminated.

For a BS capable of multi-band operation supporting BC3 bands for TDD, the RF requirements in the present specification assume synchronized operation, where no simultaneous uplink and downlink occur between the bands.

---

## **5 Applicability of requirements and test configurations**

The present clause defines for each RF test requirement the set of mandatory test configurations which shall be used for demonstrating conformance. This is specified in the Table 5.2-1 for single-RAT Multi-carrier, Table 5.1-1 for multi-RAT Base Stations and Table 5.3-1 for multi-band capable Base Station.

Requirements apply according to the declared RAT Capability Set (CS) within each supported operating band of the MSR Base Station and the Band Category of the declared operating band (BC1, BC2 or BC3), as listed in the heading of each table. Some RF requirements listed in the tables may not be mandatory or they may apply only regionally. This is further specified for each requirement in clause 6 and 7, and in Table 4.3-1.

For a declared RAT Capability Set (CS) in Table 5.1-1 and 5.2-1, only the requirements listed in the column for that CS apply. Requirements listed under CS other than the declared CS(s) need not be tested.

For a BS declared to be capable of contiguous operation only, the test configuration(s) in Tables 5.1-1 and 5.2-1 denoted by a 'C' and entries that refer to single-RAT specifications shall be used for testing.

For a BS declared to be capable of contiguous and non-contiguous operation and where the parameters in the manufacturer's declaration according to subclause 4.7.2 are identical for contiguous and non-contiguous operation, the test configuration(s) in Table 5.1-1 and 5.2-1 denoted by 'CNC' and entries that refer to single-RAT specifications shall be used.

For a BS declared to be capable of contiguous and non-contiguous operation and where the parameters in the manufacturer's declaration according to subclause 4.7.2 are not identical for contiguous and non-contiguous operation, the test configuration(s) in Table 5.1-1 and 5.2-1 denoted by 'C/NC' and entries that refer to single-RAT specifications shall be used for testing.

For some of the RF test requirements entries within Tables 5.1-1 and 5.2-1 refer to the single-RAT specifications; this is denoted by "(TS 25.141)", "(TS 25.142)", "(TS 36.141)" or "(TS 51.021)". In this case the following shall apply:

- transmitter test signals and test models as defined within the referred test specification shall be used, see clause 4.9.2. For some RF requirements this comprises a mandatory test case in addition to a test case using the MSR test configurations defined in clause 4.8.
- for some RF requirements the initial conditions and test procedure as defined within the referred single-RAT test specification for the RF requirement shall be used. This is specified in further detail in clauses 6, 7 and 8 of the present document.
- for some RF requirements the test requirement as defined within the referred single-RAT test specification for the RF requirement shall be used. This is specified in further detail in clauses 6, 7 and 8 of the present document. In this case (see clause 4.1):
  - The maximum acceptable uncertainty of the Test System for test requirements are defined in the respective referred test specification
  - Test Tolerances are defined in the respective referred test specification.
  - If the parameters in the manufacturer's declarations according to subclause 4.7.2 are not identical for contiguous and non-contiguous operation, the parameters for contiguous operation shall be used for the test in the single RAT test specification.

For a BS declared to be capable of multi-band operation, the applicability of the requirement for each operating band is determined by the RAT configuration within that operating band as identified in Tables 5.1-1 and 5.2-1, unless otherwise stated. The testing of multi-band capable BS shall be according to Table 5.3-1 as follows:

- For requirements test denoted by SBT (Single Band Test), the test configuration (s) in Table 5.1-1 and 5.2-1 shall be used for each operating band depending on the RAT configuration within that band.
- For requirements test denoted by MBT (Multi-Band Test), the test configuration (s) in Table 5.3-1 shall be used depending on the Band Category of the declared operating band combination.

## 5.1 Multi-RAT capable Base Stations

Table 5.1-1: Test configurations for capability sets for Multi-RAT capable BS

| Capability Set                                     | UTRA + E-UTRA<br>(CS 3)                      |  |   | GSM+<br>UTRA<br>(CS 4)                       | GSM +<br>E-UTRA<br>(CS 5)                    | GSM + UTRA<br>+ E-UTRA<br>(CS 6)             |
|--|--|--|---|--|--|--|
|  | BC1  | BC2  | BC3   | BC2  | BC2  | BC2  |
| <b>6.2 Base Station output power</b>               | -  | -  | -   | -  | -  | -  |
| Base Station maximum output power                  | C: TC3a<br>CNC: TC3a<br>C/NC: TC3a,<br>NTC3a | C: TC3a<br>CNC: TC3a<br>C/NC: TC3a,<br>NTC3a | C: TC3b                                       | C: TC4a<br>CNC: TC4a<br>C/NC: TC4a,<br>NTC4a | C: TC4b<br>CNC: TC4b<br>C/NC: TC4b,<br>NTC4b | C: TC4c<br>CNC: TC4c<br>C/NC: TC4c,<br>NTC4c |
| Additional regional requirement (only for band 34) | N/A  | N/A  | Compliance stated by manufacturer declaration | N/A  | N/A  | N/A  |
| E-UTRA for DL RS power                             | (TS 36.141)                                  | (TS 36.141)                                  | (TS 36.141)                                   | N/A  | (TS 36.141)                                  | (TS 36.141)                                  |
| UTRA FDD primary CPICH power                       | (TS 25.141)                                  | (TS 25.141)                                  | N/A   | (TS 25.141)                                  | N/A  | (TS 25.141)                                  |
| UTRA FDD secondary CPICH power                     | (TS 25.141)                                  | (TS 25.141)                                  | N/A   | (TS 25.141)                                  | N/A  | (TS 25.141)                                  |
| UTRA TDD primary CCPCH power                       | N/A  | N/A  | (TS 25.142)                                   | N/A  | N/A  | N/A  |
| <b>6.3 Output power dynamics</b>                   | -  | -  | -   | -  | -  | -  |
| E-UTRA   | (TS 36.141)                                  | (TS 36.141)                                  | (TS 36.141)                                   | N/A  | (TS 36.141)                                  | (TS 36.141)                                  |
| UTRA FDD   | (TS 25.141)                                  | (TS 25.141)                                  | N/A   | (TS 25.141)                                  | N/A  | (TS 25.141)                                  |
| UTRA TDD   | N/A  | N/A  | (TS 25.142)                                   | N/A  | N/A  | N/A  |
| GSM/EDGE   | N/A  | N/A  | N/A   | (TS 51.021)                                  | (TS 51.021)                                  | (TS 51.021)                                  |
| <b>6.4 Transmit ON/OFF power</b>                   | -  | -  | -   | -  | -  | -  |
| Transmitter OFF power                              | N/A  | N/A  | C: TC3b                                       | N/A  | N/A  | N/A  |
| Transmitter transient period                       | N/A  | N/A  | C: TC3b                                       | N/A  | N/A  | N/A  |
| <b>6.5 Transmitted signal quality</b>              | -  | -  | -   | -  | -  | -  |
| <b>6.5.1 Modulation quality</b>                    | -  | -  | -   | -  | -  | -  |
| E-UTRA   | C: TC3a<br>CNC: TC3a<br>C/NC: TC3a,<br>NTC3a | C: TC3a<br>CNC: TC3a<br>C/NC: TC3a,<br>NTC3a | C: TC3b                                       | N/A  | C: TC4b<br>CNC: TC4b<br>C/NC: TC4b,<br>NTC4b | C: TC4c<br>CNC: TC4c<br>C/NC: TC4c,<br>NTC4c |
| UTRA FDD   | C: TC3a<br>CNC: TC3a<br>C/NC: TC3a,<br>NTC3a | C: TC3a<br>CNC: TC3a<br>C/NC: TC3a,<br>NTC3a | N/A   | C: TC4a<br>CNC: TC4a<br>C/NC: TC4a,<br>NTC4a | N/A  | C: TC4c<br>CNC: TC4c<br>C/NC: TC4c,<br>NTC4c |
| UTRA TDD   | N/A  | N/A  | C: TC3b                                       | N/A  | N/A  | N/A  |
| GSM/EDGE   | N/A  | N/A  | N/A   | C: TC4a<br>CNC: TC4a<br>C/NC: TC4a,<br>NTC4a | C: TC4b<br>CNC: TC4b<br>C/NC: TC4b,<br>NTC4b | C: TC4c<br>CNC: TC4c<br>C/NC: TC4c,<br>NTC4c |
| <b>6.5.2 Frequency error</b>                       | -  | -  | -   | -  | -  | -  |
| E-UTRA   | Same TC as used in 6.5.1                     | Same TC as used in 6.5.1                     | Same TC as used in 6.5.1                      | N/A  | Same TC as used in 6.5.1                     | Same TC as used in 6.5.1                     |
| UTRA FDD   | Same TC as used in 6.5.1                     | Same TC as used in 6.5.1                     | N/A   | Same TC as used in 6.5.1                     | N/A  | Same TC as used in 6.5.1                     |

| Capability Set                                       | UTRA + E-UTRA<br>(CS 3)  |  |                                       | GSM+<br>UTRA<br>(CS 4)  | GSM +<br>E-UTRA<br>(CS 5)   | GSM + UTRA<br>+ E-UTRA<br>(CS 6)  |
|--|--|--|---------------------------------------|---|---|---|
|  | BC1  | BC2  | BC3                                   | BC2   | BC2   | BC2   |
| UTRA TDD   | N/A  | N/A  | Same TC as used in 6.5.1              | N/A   | N/A   | N/A   |
| GSM/EDGE   | N/A  | N/A  | N/A                                   | Same TC as used in 6.5.1  | Same TC as used in 6.5.1  | Same TC as used in 6.5.1  |
| <b>6.5.3 Time alignment error</b>                    | -  | -  | -                                     | -   | -   | -   |
| E-UTRA   | (TS 36.141)  | (TS 36.141)  | (TS 36.141)                           | N/A   | (TS 36.141)   | (TS 36.141)   |
| UTRA FDD   | (TS 25.141)  | (TS 25.141)  | N/A                                   | (TS 25.141)   | N/A   | (TS 25.141)   |
| UTRA TDD   | N/A  | N/A  | (TS 25.142)                           | N/A   | N/A   | N/A   |
| <b>6.6 Unwanted emissions</b>                        | -  | -  | -                                     | -   | -   | -   |
| <b>6.6.1 Transmitter spurious emissions</b>          | -  | -  | -                                     | -   | -   | -   |
| (Category A)   | C: TC3a<br>CNC: NTC3a<br>C/NC: TC3a,<br>NTC3a  | C: TC3a<br>CNC: NTC3a<br>C/NC: TC3a,<br>NTC3a  | C: TC3b                               | C: TC4a<br>CNC: NTC4a<br>C/NC: TC4a,<br>NTC4a   | C: TC4b<br>CNC: NTC4b<br>C/NC: TC4b,<br>NTC4b   | C: TC4c<br>CNC: NTC4c<br>C/NC: TC4c,<br>NTC4c   |
| (Category B)   | C: TC3a<br>CNC: NTC3a<br>C/NC: TC3a,<br>NTC3a  | C: TC3a<br>CNC: NTC3a<br>C/NC: TC3a,<br>NTC3a  | C: TC3b                               | C: TC4a<br>CNC: NTC4a<br>C/NC: TC4a,<br>NTC4a   | C: TC4b<br>CNC: NTC4b<br>C/NC: TC4b,<br>NTC4b   | C: TC4c<br>CNC: NTC4c<br>C/NC: TC4c,<br>NTC4c   |
| Additional requirement for BC2 (Category B)          | N/A  | N/A  | N/A                                   | C: TC4a<br>CNC: NTC4a<br>C/NC: TC4a,<br>NTC4a   | C: TC4b<br>CNC: NTC4b<br>C/NC: TC4b,<br>NTC4b   | C: TC4c<br>CNC: NTC4c<br>C/NC: TC4c,<br>NTC4c   |
| Protection of the BS receiver of own or different BS | C: TC3a<br>CNC: NTC3a<br>C/NC: TC3a,<br>NTC3a  | C: TC3a<br>CNC: NTC3a<br>C/NC: TC3a,<br>NTC3a  | C: TC3b                               | C: TC4a<br>CNC: NTC4a<br>C/NC: TC4a,<br>NTC4a   | C: TC4b<br>CNC: NTC4b<br>C/NC: TC4b,<br>NTC4b   | C: TC4c<br>CNC: NTC4c<br>C/NC: TC4c,<br>NTC4c   |
| Additional spurious emissions requirements           | C: TC3a<br>CNC: NTC3a<br>C/NC: TC3a,<br>NTC3a  | C: TC3a<br>CNC: NTC3a<br>C/NC: TC3a,<br>NTC3a  | C: TC3b                               | C: TC4a<br>CNC: NTC4a<br>C/NC: TC4a,<br>NTC4a   | C: TC4b<br>CNC: NTC4b<br>C/NC: TC4b,<br>NTC4b   | C: TC4c<br>CNC: NTC4c<br>C/NC: TC4c,<br>NTC4c   |
| Co-location with other Base Stations                 | C: TC3a<br>CNC: NTC3a<br>C/NC: TC3a,<br>NTC3a  | C: TC3a<br>CNC: NTC3a<br>C/NC: TC3a,<br>NTC3a  | C: TC3b                               | C: TC4a<br>CNC: NTC4a<br>C/NC: TC4a,<br>NTC4a   | C: TC4b<br>CNC: NTC4b<br>C/NC: TC4b,<br>NTC4b   | C: TC4c<br>CNC: NTC4c<br>C/NC: TC4c,<br>NTC4c   |
| <b>6.6.2 Operating band unwanted emissions</b>       | -  | -  | -                                     | -   | -   | -   |
| General requirement for Band Categories 1 and 3      | (TS 25.141)<br>(TS 36.141)<br>C: TC3a<br>CNC: TC3a,<br>NTC3a<br>C/NC: TC3a,<br>NTC3a | N/A  | (TS 25.142)<br>(TS 36.141)<br>C: TC3b | N/A   | N/A   | N/A   |
| General requirement for Band Category 2              | N/A  | (TS 25.141)<br>(TS 36.141)<br>C: TC3a<br>CNC: TC3a,<br>NTC3a<br>C/NC: TC3a,<br>NTC3a | N/A                                   | (TS 25.141)<br>C: TC4a,<br>TC4d (note1)<br>CNC:TC4a,<br>TC4d(note1),<br>NTC4a<br>C/NC: TC4a,<br>TC4d(note1),<br>NTC4a | (TS 36.141)<br>C: TC4b,<br>TC4e (note1)<br>CNC:TC4b,<br>TC4e(note1),<br>NTC4b<br>C/NC: TC4b,<br>TC4e(note1),<br>NTC4b | (TS 25.141)<br>(TS 36.141)<br>C: TC4c,<br>TC4e (note1)<br>CNC: TC4c,<br>TC4e (note1),<br>NTC4c<br>C/NC: TC4c,<br>TC4e (note1),<br>NTC4c |
| GSM/EDGE single-RAT requirement                      | N/A  | N/A  | N/A                                   | (TS 51.021)   | (TS 51.021)   | (TS 51.021)   |

| Capability Set   | UTRA + E-UTRA<br>(CS 3)   |   |   | GSM+<br>UTRA<br>(CS 4)  | GSM +<br>E-UTRA<br>(CS 5)  | GSM + UTRA<br>+ E-UTRA<br>(CS 6)                                 |
|--|---|---|---|---|--|--|
|  | BC1   | BC2   | BC3   | BC2   | BC2  | BC2  |
| Additional requirements                                  | Compliance stated by manufacturer declaration                       | Compliance stated by manufacturer declaration                       | Compliance stated by manufacturer declaration | Compliance stated by manufacturer declaration                       | Compliance stated by manufacturer declaration                      | Compliance stated by manufacturer declaration                    |
| <b>6.6.3 Occupied bandwidth</b>                          | -   | -   | -   | -   | -  | -  |
| Minimum requirement                                      | (TS 25.141)<br>(TS 36.141)  | (TS 25.141)<br>(TS 36.141)  | (TS 25.142)<br>(TS 36.141)                    | (TS 25.141)   | (TS 36.141)  | (TS 25.141)<br>(TS 36.141)                                       |
| <b>6.6.4 Adjacent Channel Leakage power Ratio (ACLR)</b> | -   | -   | -   | -   | -  | -  |
| E-UTRA   | C: TC2<br>CNC: NTC2<br>C/NC:TC2,<br>NTC2                            | C: TC2<br>CNC: NTC2<br>C/NC:TC2,<br>NTC2                            | C: TC2<br>CNC: NTC2<br>C/NC:TC2,<br>NTC2      | N/A   | C: TC2<br>CNC: NTC2<br>C/NC:TC2,<br>NTC2                           | C: TC2<br>CNC: NTC2<br>C/NC:TC2,<br>NTC2                         |
| UTRA FDD   | (TS 25.141)   | (TS 25.141)   | N/A   | (TS 25.141)   | N/A  | N/A  |
| UTRA TDD   | N/A   | N/A   | (TS 25.142)                                   | N/A   | N/A  | N/A  |
| Cumulative ACLR  | CNC: NTC3a<br>C/NC:NTC3a  | CNC: NTC3a<br>C/NC:NTC3a  |   | CNC: NTC1a<br>C/NC:NTC1a  | CNC: NTC2<br>C/NC:NTC2   | CNC: NTC3a<br>C/NC:NTC3a   |
| <b>6.7 Transmitter intermodulation</b>                   | -   | -   | -   | -   | -  | -  |
| General requirement                                      | Same TC as used in 6.6  | Same TC as used in 6.6  | Same TC as used in 6.6                        | Same TC as used in 6.6  | Same TC as used in 6.6   | Same TC as used in 6.6   |
| Additional requirement (BC1 and BC2)                     | CNC: NTC3a<br>C/NC:NTC3a  | Same TC as used in 6.6  | N/A   | Same TC as used in 6.6  | Same TC as used in 6.6   | Same TC as used in 6.6   |
| Additional requirement (BC3)                             | N/A   | N/A   | Same TC as used in 6.6                        | N/A   | N/A  | N/A  |
| <b>7.2 Reference sensitivity level</b>                   | -   | -   | -   | -   | -  | -  |
| E-UTRA   | (TS 36.141)   | (TS 36.141)   | (TS 36.141)                                   | N/A   | (TS 36.141)  | (TS 36.141)  |
| UTRA FDD   | (TS 25.141)   | (TS 25.141)   | N/A   | (TS 25.141)   | N/A  | (TS 25.141)  |
| UTRA TDD   | N/A   | N/A   | (TS 25.142)                                   | N/A   | N/A  | N/A  |
| GSM/EDGE   | N/A   | N/A   | N/A   | (TS 51.021)   | (TS 51.021)  | (TS 51.021)  |
| <b>7.3 Dynamic range</b>                                 | -   | -   | -   | -   | -  | -  |
| E-UTRA   | (TS 36.141)   | (TS 36.141)   | (TS 36.141)                                   | N/A   | (TS 36.141)  | (TS 36.141)  |
| UTRA FDD   | (TS 25.141)   | (TS 25.141)   | N/A   | (TS 25.141)   | N/A  | (TS 25.141)  |
| UTRA TDD   | N/A   | N/A   | (TS 25.142)                                   | N/A   | N/A  | N/A  |
| GSM/EDGE   | N/A   | N/A   | N/A   | (TS 51.021)   | (TS 51.021)  | (TS 51.021)  |
| <b>7.4 In-band selectivity and blocking</b>              | -   | -   | -   |   |  | -  |
| General blocking requirement                             | C: TC3a<br>CNC: NTC3a<br>C/NC: TC3a,<br>NTC3a                       | C: TC3a<br>CNC: NTC3a<br>C/NC: TC3a,<br>NTC3a                       | C: TC3b                                       | C: TC5a<br>CNC: NTC5a<br>C/NC: TC5a,<br>NTC5a                       | C: TC5b<br>CNC: NTC5b<br>C/NC: TC5b,<br>NTC5b                      | C: TC5b<br>CNC: NTC5c<br>C/NC: TC5b,<br>NTC5c                    |
| General narrowband blocking requirement                  | C: TC3a,<br>TC6b<br>CNC:NTC3a,<br>TC6b<br>C/NC: TC3a,<br>NTC3a,TC6b | C: TC3a,<br>TC6b<br>CNC:NTC3a,<br>TC6b<br>C/NC: TC3a,<br>NTC3a,TC6b | C: TC3b,<br>TC6b                              | C: TC5a,<br>TC6a<br>CNC:NTC5a,<br>TC6a<br>C/NC: TC5a,<br>NTC5a,TC6a | C:TC5b,<br>TC6b<br>CNC:NTC5b,<br>TC6b<br>C/NC: TC5b,<br>NTC5b,TC6b | C: TC5b, TC6a<br>CNC:NTC5c,<br>TC6a<br>C/NC: TC5b,<br>NTC5c,TC6a |
| Additional narrowband blocking requirement for GSM/EDGE  | N/A   | N/A   | N/A   | (TS 51.021)   | (TS 51.021)  | (TS 51.021)  |
| GSM/EDGE requirements for AM suppression                 | N/A   | N/A   | N/A   | (TS 51.021)   | (TS 51.021)  | (TS 51.021)  |



| Capability Set  | UTRA + E-UTRA<br>(CS 3)   |  |                   | GSM+<br>UTRA<br>(CS 4)  | GSM +<br>E-UTRA<br>(CS 5)   | GSM + UTRA<br>+ E-UTRA<br>(CS 6)                                   |
|---|---|--|-------------------|---|---|--|
|   | BC1   | BC2  | BC3               | BC2   | BC2   | BC2  |
| Additional BC3 blocking requirement   | N/A   | N/A  | C: TC3b           | N/A   | N/A   | N/A  |
| <b>7.5 Out-of-band blocking</b>   | -   | -  | -                 | -   | -   | -  |
| General requirement   | C: TC3a<br>CNC: NTC3a<br>C/NC: TC3a,<br>NTC3a                         | C: TC3a<br>CNC: NTC3a<br>C/NC: TC3a,<br>NTC3a                        | C: TC3b           | C: TC5a<br>CNC: NTC5a<br>C/NC: TC5a,<br>NTC5a                         | C: TC5b<br>CNC: NTC5b<br>C/NC: TC5b,<br>NTC5b                         | C: TC5b<br>CNC: NTC5c,<br>C/NC: TC5b,<br>NTC5c                     |
| Co-location requirement   | C: TC3a<br>CNC: NTC3a<br>C/NC: TC3a,<br>NTC3a                         | C: TC3a<br>CNC: NTC3a<br>C/NC: TC3a,<br>NTC3a                        | C: TC3b           | C: TC5a<br>CNC: NTC5a<br>C/NC: TC5a,<br>NTC5a                         | C: TC5b<br>CNC: NTC5b<br>C/NC: TC5b,<br>NTC5b                         | C: TC5b<br>CNC: NTC5c<br>C/NC: TC5b,<br>NTC5c                      |
| <b>7.6 Receiver spurious emissions</b>  | -   | -  | -                 | -   | -   | -  |
| General requirement   | C: TC3a<br>CNC: NTC3a<br>C/NC: TC3a,<br>NTC3a                         | C: TC3a<br>CNC: NTC3a<br>C/NC: TC3a,<br>NTC3a                        | C: TC3b           | C: TC4a<br>CNC: NTC4a<br>C/NC: TC4a,<br>NTC4a                         | C: TC4b<br>CNC: NTC4b<br>C/NC: TC4b,<br>NTC4b                         | C: TC4c<br>CNC: NTC4c<br>C/NC: TC4c,<br>NTC4c                      |
| Additional requirement for BC2 (Category B)   | N/A   | N/A  | N/A               | C: TC4a<br>CNC: NTC4a<br>C/NC: TC4a,<br>NTC4a                         | C: TC4b<br>CNC: NTC4b<br>C/NC: TC4b,<br>NTC4b                         | C: TC4c<br>CNC: NTC4c<br>C/NC: TC4c,<br>NTC4c                      |
| <b>7.7 Receiver intermodulation</b>   | -   | -  | -                 | -   | -   | -  |
| General intermodulation requirement   | C: TC3a<br>CNC: NTC3a<br>C/NC: TC3a<br>, NTC3a                        | C: TC3a<br>CNC: NTC3a<br>C/NC: TC3a<br>, NTC3a                       | C: TC3b           | C: TC5a<br>CNC: NTC5a<br>C/NC: TC5a,<br>NTC5a                         | C: TC5b<br>CNC: NTC5b<br>C/NC: TC5b,<br>NTC5b                         | C: TC5b<br>CNC: NTC5c<br>C/NC: TC5b,<br>NTC5c                      |
| General narrowband intermodulation requirement  | C: TC3a,<br>TC6b<br>CNC: NTC3a,<br>TC6b<br>C/NC: TC3a,<br>NTC3a, TC6b | C: TC3a<br>TC6b<br>CNC: NTC3a,<br>TC6b<br>C/NC: TC3a,<br>NTC3a, TC6b | C: TC3b ,<br>TC6b | C: TC5a ,<br>TC6a<br>CNC: NTC5a,<br>TC6a<br>C/NC: TC5a<br>NTC5a, TC6a | C: TC5b,<br>TC6b<br>CNC: NTC5b,<br>TC6b<br>C/NC: TC5b,<br>NTC5b, TC6b | C: TC5b, TC6a<br>CNC: NTC5c,<br>TC6a<br>C/NC: TC5b,<br>NTC5c, TC6a |
| Additional narrowband intermodulation requirement for GSM/EDGE  | N/A   | N/A  | N/A               | (TS 51.021)   | (TS 51.021)   | (TS 51.021)  |
| <b>7.8 In-channel selectivity</b>   | -   | -  | -                 | -   | -   | -  |
| E-UTRA requirement  | (TS 36.141)   | (TS 36.141)  | (TS 36.141)       | N/A   | (TS 36.141)   | (TS 36.141)  |
| NOTE 1: The TC shall be used for performing tests when [the declared RF bandwidth for GSM is not equal to the declared RF bandwidth for multi-RAT operations and] the frequency range within the frequency band supported by the BS is a subset of the operating band, or when the maximum supported RF bandwidth covers the entire operating band. |   |  |                   |   |   |  |

## 5.2 Single-RAT Multi-carrier capable Base Stations

Table 5.2-1: Test configurations for capability sets for Single-RAT capable BS

| Capability Set                                     | UTRA (MC) capable BS (CS1)                   |  |             | E-UTRA (MC) capable BS (CS2)             |  |   |
|--|--|--|-------------|--|--|---|
| BS test case                                       | BC1  | BC2  | BC3         | BC1                                      | BC2                                      | BC3   |
| <b>6.2 Base Station output power</b>               | -  | -  | -           | -  | -  | -   |
| Base Station maximum output power                  | C: TC1a<br>CNC: TC1a<br>C/NC: TC1a,<br>NTC1a | C: TC1a<br>CNC: TC1a<br>C/NC: TC1a,<br>NTC1a | C: TC1b     | C: TC2<br>CNC: TC2<br>C/NC: TC2,<br>NTC2 | C: TC2<br>CNC: TC2<br>C/NC: TC2,<br>NTC2 | C: TC2<br>CNC: TC2<br>C/NC: TC2,<br>NTC2      |
| Additional regional requirement (only for band 34) | N/A  | N/A  | N/A         | N/A                                      | N/A                                      | Compliance stated by manufacturer declaration |
| E-UTRA DL RS power                                 | N/A  | N/A  | N/A         | (TS 36.141)                              | (TS 36.141)                              | (TS 36.141)                                   |
| UTRA FDD primary CPICH power                       | (TS 25.141)                                  | (TS 25.141)                                  | N/A         | N/A                                      | N/A                                      | N/A   |
| UTRA FDD secondary CPICH power                     | (TS 25.141)                                  | (TS 25.141)                                  | N/A         | N/A                                      | N/A                                      | N/A   |
| UTRA TDD primary CCPCH power                       | N/A  | N/A  | (TS 25.142) | N/A                                      | N/A                                      | N/A   |
| <b>6.3 Output power dynamics</b>                   | -  | -  | -           | -  | -  | -   |
| E-UTRA   | N/A  | N/A  | N/A         | (TS 36.141)                              | (TS 36.141)                              | (TS 36.141)                                   |
| UTRA FDD   | (TS 25.141)                                  | (TS 25.141)                                  | N/A         | N/A                                      | N/A                                      | N/A   |
| UTRA TDD   | N/A  | N/A  | (TS 25.142) | N/A                                      | N/A                                      | N/A   |
| GSM/EDGE   | N/A  | N/A  | N/A         | N/A                                      | N/A                                      | N/A   |
| <b>6.4 Transmit ON/OFF power</b>                   | -  | -  | -           | -  | -  | -   |
| Transmitter OFF power                              | N/A  | N/A  | C: TC1b     | N/A                                      | N/A                                      | C: TC2<br>CNC: TC2<br>C/NC: TC2,<br>NTC2      |
| Transmitter transient period                       | N/A  | N/A  | C: TC1b     | N/A                                      | N/A                                      | C: TC2<br>CNC: TC2<br>C/NC: TC2,<br>NTC2      |
| <b>6.5 Transmitted signal quality</b>              | -  | -  | -           | -  | -  | -   |
| <b>6.5.1 Modulation quality</b>                    | -  | -  | -           | -  | -  | -   |
| E-UTRA   | N/A  | N/A  | N/A         | C: TC2<br>CNC: TC2<br>C/NC: TC2,<br>NTC2 | C: TC2<br>CNC: TC2<br>C/NC: TC2,<br>NTC2 | C: TC2<br>CNC: TC2<br>C/NC: TC2,<br>NTC2      |
| UTRA FDD   | C: TC1a<br>CNC: TC1a<br>C/NC: TC1a,<br>NTC1a | C: TC1a<br>CNC: TC1a<br>C/NC: TC1a,<br>NTC1a | N/A         | N/A                                      | N/A                                      | N/A   |
| UTRA TDD   | N/A  | N/A  | C: TC1b     | N/A                                      | N/A                                      | N/A   |
| GSM/EDGE   | N/A  | N/A  | N/A         | N/A                                      | N/A                                      | N/A   |
| <b>6.5.2 Frequency error</b>                       | -  | -  | -           | -  | -  | -   |
| E-UTRA   | N/A  | N/A  | N/A         | Same TC as used in 6.5.1                 | Same TC as used in 6.5.1                 | Same TC as used in 6.5.1                      |

| Capability Set                                       | UTRA (MC) capable BS (CS1)                                      |   |   | E-UTRA (MC) capable BS (CS2)                               |  |  |
|--|---|---|---|--|--|--|
| BS test case   | BC1   | BC2   | BC3   | BC1  | BC2  | BC3  |
| UTRA FDD   | Same TC as used in 6.5.1  | Same TC as used in 6.5.1  | N/A   | N/A  | N/A  | N/A  |
| UTRA TDD   | N/A   | N/A   | Same TC as used in 6.5.1                      | N/A  | N/A  | N/A  |
| GSM/EDGE   | N/A   | N/A   | N/A   | N/A  | N/A  | N/A  |
| <b>6.5.3 Time alignment error</b>                    | -   | -   | -   | -  | -  | -  |
| E-UTRA   | N/A   | N/A   | N/A   | (TS 36.141)  | (TS 36.141)  | (TS 36.141)  |
| UTRA FDD   | (TS 25.141)   | (TS 25.141)   | N/A   | N/A  | N/A  | N/A  |
| UTRA TDD   | N/A   | N/A   | (TS 25.142)                                   | N/A  | N/A  | N/A  |
| <b>6.6 Unwanted emissions</b>                        | -   | -   | -   | -  | -  | -  |
| <b>6.6.1 Transmitter spurious emissions</b>          | -   | -   | -   | -  | -  | -  |
| (Category A)   | C: TC1a<br>CNC: NTC1a<br>C/NC: TC1a, NTC1a                      | C: TC1a<br>CNC: NTC1a<br>C/NC: TC1a, NTC1a                      | C: TC1b                                       | C: TC2<br>CNC: NTC2<br>C/NC: TC2, NTC2                     | C: TC2<br>CNC: NTC2<br>C/NC: TC2, NTC2                     | C: TC2<br>CNC: NTC2<br>C/NC: TC2, NTC2                     |
| (Category B)   | C: TC1a<br>CNC: NTC1a<br>C/NC: TC1a, NTC1a                      | C: TC1a<br>CNC: NTC1a<br>C/NC: TC1a, NTC1a                      | C: TC1b                                       | C: TC2<br>CNC: NTC2<br>C/NC: TC2, NTC2                     | C: TC2<br>CNC: NTC2<br>C/NC: TC2, NTC2                     | C: TC2<br>CNC: NTC2<br>C/NC: TC2, NTC2                     |
| Additional requirement for BC2 (Category B)          | N/A   | N/A   | N/A   | N/A  | N/A  | N/A  |
| Protection of the BS receiver of own or different BS | C: TC1a<br>CNC: NTC1a<br>C/NC: TC1a, NTC1a                      | C: TC1a<br>CNC: NTC1a<br>C/NC: TC1a, NTC1a                      | C: TC1b                                       | C: TC2<br>CNC: NTC2<br>C/NC: TC2, NTC2                     | C: TC2<br>CNC: NTC2<br>C/NC: TC2, NTC2                     | C: TC2<br>CNC: NTC2<br>C/NC: TC2, NTC2                     |
| Additional spurious emissions requirements           | C: TC1a<br>CNC: NTC1a<br>C/NC: TC1a, NTC1a                      | C: TC1a<br>CNC: NTC1a<br>C/NC: TC1a, NTC1a                      | C: TC1b                                       | C: TC2<br>CNC: NTC2<br>C/NC: TC2, NTC2                     | C: TC2<br>CNC: NTC2<br>C/NC: TC2, NTC2                     | C: TC2<br>CNC: NTC2<br>C/NC: TC2, NTC2                     |
| Co-location with other Base Stations                 | C: TC1a<br>CNC: NTC1a<br>C/NC: TC1a, NTC1a                      | C: TC1a<br>CNC: NTC1a<br>C/NC: TC1a, NTC1a                      | C: TC1b                                       | C: TC2<br>CNC: NTC2<br>C/NC: TC2, NTC2                     | C: TC2<br>CNC: NTC2<br>C/NC: TC2, NTC2                     | C: TC2<br>CNC: NTC2<br>C/NC: TC2, NTC2                     |
| <b>6.6.2 Operating band unwanted emissions</b>       | -   | -   | -   | -  | -  | -  |
| General requirement for Band Categories 1 and 3      | (TS 25.141)<br>C: TC1a<br>CNC: TC1a, NTC1a<br>C/NC: TC1a, NTC1a | N/A   | (TS 25.142)<br>C: TC1b                        | (TS 36.141)<br>C: TC2<br>CNC: TC2, NTC2<br>C/NC: TC2, NTC2 | N/A  | (TS 36.141)<br>C: TC2<br>CNC: TC2, NTC2<br>C/NC: TC2, NTC2 |
| General requirement for Band Category 2              | N/A   | (TS 25.141)<br>C: TC1a<br>CNC: TC1a, NTC1a<br>C/NC: TC1a, NTC1a | N/A   | N/A  | (TS 36.141)<br>C: TC2<br>CNC: TC2, NTC2<br>C/NC: TC2, NTC2 | N/A  |
| GSM/EDGE single-RAT requirements                     | N/A   | N/A   | N/A   | N/A  | N/A  | N/A  |
| Additional requirements                              | Compliance stated by manufacturer declaration                   | Compliance stated by manufacturer declaration                   | Compliance stated by manufacturer declaration | Compliance stated by manufacturer declaration              | Compliance stated by manufacturer declaration              | Compliance stated by manufacturer declaration              |
| <b>6.6.3 Occupied</b>                                | -   | -   | -   | -  | -  | -  |

| Capability Set   | UTRA (MC) capable BS (CS1)   |  |                        | E-UTRA (MC) capable BS (CS2)                                     |   |   |
|--|--|--|------------------------|--|---|---|
| BS test case   | BC1  | BC2  | BC3                    | BC1  | BC2   | BC3   |
| <b>bandwidth</b>   |  |  |                        |  |   |   |
| Minimum requirement                                      | (TS 25.141)  | (TS 25.141)  | (TS 25.142)            | (TS 36.141)  | (TS 36.141)   | (TS 36.141)   |
| <b>6.6.4 Adjacent Channel Leakage power Ratio (ACLR)</b> |  | -  | -                      | -  | -   | -   |
| E-UTRA   | N/A  | N/A  | N/A                    | C: TC2<br>CNC: NTC2<br>C/NC:TC2,<br>NTC2                         | C: TC2<br>CNC: NTC2<br>C/NC:TC2,<br>NTC2                          | C: TC2<br>CNC: NTC2<br>C/NC:TC2,<br>NTC2                          |
| UTRA FDD   | (TS 25.141)  | (TS 25.141)  | N/A                    | N/A  | N/A   | N/A   |
| UTRA TDD   | N/A  | N/A  | (TS 25.142)            | N/A  | N/A   | N/A   |
| Cumulative ACLR  | CNC: NTC1a<br>C/NC:NTC1a   | CNC: NTC1a<br>C/NC:NTC1a   | -                      | CNC: NTC2<br>C/NC: NTC2  | CNC: NTC2<br>C/NC: NTC2   | CNC: NTC2<br>C/NC: NTC2   |
| <b>6.7 Transmitter intermodulation</b>                   | -  | -  | -                      | -  | -   | -   |
| General requirement                                      | Same TC as used in 6.6   | Same TC as used in 6.6   | Same TC as used in 6.6 | Same TC as used in 6.6   | Same TC as used in 6.6  | Same TC as used in 6.6  |
| Additional requirement (BC1 and BC2)                     | CNC: NTC1a<br>C/NC:NTC1a   | Same TC as used in 6.6   | N/A                    | CNC: NTC2<br>C/NC: NTC2  | Same TC as used in 6.6  | N/A   |
| Additional requirement (BC3)                             | N/A  | N/A  | Same TC as used in 6.6 | N/A  | N/A   | Same TC as used in 6.6  |
| <b>7.2 Reference sensitivity level</b>                   | -  | -  | -                      | -  | -   | -   |
| E-UTRA requirement                                       | N/A  | N/A  | N/A                    | (TS 36.141)  | (TS 36.141)   | (TS 36.141)   |
| UTRA FDD requirement                                     | (TS 25.141)  | (TS 25.141)  | N/A                    | N/A  | N/A   | N/A   |
| UTRA TDD requirement                                     | N/A  | N/A  | (TS 25.142)            | N/A  | N/A   | N/A   |
| GSM/EDGE requirement                                     | N/A  | N/A  | N/A                    | N/A  | N/A   | N/A   |
| <b>7.3 Dynamic range</b>                                 | -  | -  | -                      | -  | -   | -   |
| E-UTRA   | N/A  | N/A  | N/A                    | (TS 36.141)  | (TS 36.141)   | (TS 36.141)   |
| UTRA FDD   | (TS 25.141)  | (TS 25.141)  | N/A                    | N/A  | N/A   | N/A   |
| UTRA TDD   | N/A  | N/A  | (TS 25.142)            | N/A  | N/A   | N/A   |
| GSM/EDGE   | N/A  | N/A  | N/A                    | N/A  | N/A   | N/A   |
| <b>7.4 In-band selectivity and blocking</b>              | -  | -  | -                      | -  | -   | -   |
| General blocking requirement                             | C: TC1a<br>CNC: NTC1a<br>C/NC: TC1a ,<br>NTC1a                       | C: TC1a<br>CNC: NTC1a<br>C/NC: TC1a ,<br>NTC1a                       | C: TC1b                | C: TC2<br>CNC: NTC2<br>C/NC: TC2,<br>NTC2                        | C: TC2<br>CNC: NTC2<br>C/NC: TC2,<br>NTC2                         | C: TC2<br>CNC: NTC2<br>C/NC: TC2,<br>NTC2                         |
| General narrowband blocking requirement                  | C: TC1a,<br>TC6a<br>CNC: NTC1a,<br>TC6a<br>C/NC: TC1a,<br>NTC1a,TC6a | C: TC1a ,<br>TC6a<br>CNC:NTC1a,<br>TC6a<br>C/NC: TC1a,<br>NTC1a,TC6a | C: TC1b<br>TC6c        | C: TC2,<br>TC6b<br>CNC:NTC2,<br>TC6b<br>C/NC: TC2,<br>NTC2, TC6b | C: TC2,<br>TC6b<br>CNC: NTC2,<br>TC6b<br>C/NC: TC2,<br>NTC2, TC6b | C: TC2,<br>TC6b<br>CNC: NTC2,<br>TC6b<br>C/NC: TC2,<br>NTC2, TC6b |
| Additional narrowband blocking requirement for GSM/EDGE  | N/A  | N/A  | N/A                    | N/A  | N/A   | N/A   |
| GSM/EDGE requirements for AM suppression                 | N/A  | N/A  | N/A                    | N/A  | N/A   | N/A   |

| Capability Set   | UTRA (MC) capable BS (CS1)                                   |  |               | E-UTRA (MC) capable BS (CS2)                             |  |  |
|--|--|--|---------------|--|--|--|
| BS test case   | BC1  | BC2  | BC3           | BC1  | BC2  | BC3  |
| Additional BC3 blocking minimum requirement                    | N/A  | N/A  | C: TC1b       | N/A  | N/A  | C: TC2<br>CNC: NTC2<br>C/NC: TC2, NTC2                   |
| <b>7.5 Out-of-band blocking</b>                                | -  | -  | -             | -  | -  | -  |
| General requirement  | C: TC1a<br>CNC: NTC1a<br>C/NC: TC1a, NTC1a                   | C: TC1a<br>CNC: NTC1a<br>C/NC: TC1a, NTC1a                   | C: TC1b       | C: TC2<br>CNC: NTC2<br>C/NC: TC2, NTC2                   | C: TC2<br>CNC: NTC2<br>C/NC: TC2, NTC2                   | C: TC2<br>CNC: NTC2<br>C/NC: TC2, NTC2                   |
| Co-location requirement  | C: TC1a<br>CNC: NTC1a<br>C/NC: TC1a, NTC1a                   | C: TC1a<br>CNC: NTC1a<br>C/NC: TC1a, NTC1a                   | C: TC1b       | C: TC2<br>CNC: NTC2<br>C/NC: TC2, NTC2                   | C: TC2<br>CNC: NTC2<br>C/NC: TC2, NTC2                   | C: TC2<br>CNC: NTC2<br>C/NC: TC2, NTC2                   |
| <b>7.6 Receiver spurious emissions</b>                         | -  | -  | -             | -  | -  | -  |
| General requirement  | C: TC1a<br>CNC: NTC1a<br>C/NC: TC1a, NTC1a                   | C: TC1a<br>CNC: NTC1a<br>C/NC: TC1a, NTC1a                   | C: TC1b       | C: TC2<br>CNC: NTC2<br>C/NC: TC2, NTC2                   | C: TC2<br>CNC: NTC2<br>C/NC: TC2, NTC2                   | C: TC2<br>CNC: NTC2<br>C/NC: TC2, NTC2                   |
| Additional requirement for BC2 (Category B)                    | N/A  | N/A  | N/A           | N/A  | N/A  | N/A  |
| <b>7.7 Receiver intermodulation</b>                            | -  | -  | -             | -  | -  | -  |
| General intermodulation requirement                            | C: TC1a<br>CNC: NTC1a<br>C/NC: TC1a, NTC1a                   | C: TC1a<br>CNC: NTC1a<br>C/NC: TC1a, NTC1a                   | C: TC1b       | C: TC2<br>CNC: NTC2<br>C/NC: TC2, NTC2                   | C: TC2<br>CNC: NTC2<br>C/NC: TC2, NTC2                   | C: TC2<br>CNC: NTC2<br>C/NC: TC2, NTC2                   |
| General narrowband intermodulation requirement                 | C: TC1a, TC6a<br>CNC: NTC1a, TC6a<br>C/NC: TC1a, NTC1a, TC6a | C: TC1a, TC6a<br>CNC: NTC1a, TC6a<br>C/NC: TC1a, NTC1a, TC6a | C: TC1b, TC6c | C: TC2, TC6b<br>CNC: NTC2, TC6b<br>C/NC: TC2, NTC2, TC6b | C: TC2, TC6b<br>CNC: NTC2, TC6b<br>C/NC: TC2, NTC2, TC6b | C: TC2, TC6b<br>CNC: NTC2, TC6b<br>C/NC: TC2, NTC2, TC6b |
| Additional narrowband intermodulation requirement for GSM/EDGE | N/A  | N/A  | N/A           | N/A  | N/A  | N/A  |
| <b>7.8 In-channel selectivity</b>                              | -  | -  | -             | -  | -  | -  |
| E-UTRA requirement   | N/A  | N/A  | N/A           | (TS 36.141)  | (TS 36.141)  | (TS 36.141)  |

## 5.3 Multi-band capable Base Stations

Table 5.3-1: Test configurations for Multi-Band capable BS (all Capability Sets)

| BS test case   | Test for Multi-Band capable BS |                                       | Test configuration for MBT |      |
|--|--------------------------------|---------------------------------------|----------------------------|------|
|  | Common antenna connector       | Separate antenna connector            | BC1/BC2                    | BC3  |
| <b>6.2 Base Station output power</b>                     | -                              | -                                     | -                          | -    |
| Base Station maximum output power                        | SBT, MBT                       | SBT, MBT                              | TC7a                       | TC7a |
| Additional regional requirement (only for band 34)       | N/A                            | N/A                                   | N/A                        | -    |
| E-UTRA for DL RS power                                   | SBT                            | SBT                                   | -                          | -    |
| UTRA FDD primary CPICH power                             | SBT                            | SBT                                   | -                          | -    |
| UTRA TDD primary CCPCH power                             | SBT                            | SBT                                   | -                          | -    |
| <b>6.3 Output power dynamics</b>                         | -                              | -                                     | -                          | -    |
| E-UTRA   | SBT                            | SBT                                   | -                          | -    |
| UTRA FDD   | SBT                            | SBT                                   | -                          | -    |
| UTRA TDD   | SBT                            | SBT                                   | -                          | -    |
| GSM/EDGE   | SBT                            | SBT                                   | -                          | -    |
| <b>6.4 Transmit ON/OFF power</b>                         |                                |                                       | -                          | -    |
| Transmitter OFF power                                    | MBT                            | MBT                                   | N/A                        | TC7a |
| Transmitter transient period                             | MBT                            | MBT                                   | N/A                        | TC7a |
| 6.5 Transmitted signal quality                           |                                |                                       |                            |      |
| <b>6.5.1 Modulation quality</b>                          |                                |                                       |                            |      |
| E-UTRA   | SBT, MBT                       | SBT, MBT                              | TC7a                       | TC7a |
| UTRA FDD   | SBT, MBT                       | SBT, MBT                              | TC7a                       | N/A  |
| UTRA TDD   | SBT, MBT                       | SBT, MBT                              | N/A                        | TC7a |
| GSM/EDGE   | SBT, MBT                       | SBT, MBT                              | TC7a                       | N/A  |
| <b>6.5.2 Frequency error</b>                             |                                |                                       |                            |      |
| E-UTRA   | SBT, MBT                       | SBT, MBT                              | TC7a                       | TC7a |
| UTRA FDD   | SBT, MBT                       | SBT, MBT                              | TC7a                       | N/A  |
| UTRA TDD   | SBT, MBT                       | SBT, MBT                              | N/A                        | TC7a |
| GSM/EDGE   | SBT, MBT                       | SBT, MBT                              | TC7a                       | N/A  |
| <b>6.5.3 Time alignment between transmitter branches</b> |                                |                                       |                            |      |
| E-UTRA   | SBT, MBT <sup>1</sup>          | SBT, MBT <sup>1</sup>                 | TC7b                       | TC7b |
| UTRA FDD   | SBT, MBT <sup>1</sup>          | SBT, MBT <sup>1</sup>                 | TC7b                       | N/A  |
| UTRA TDD   | SBT                            | SBT                                   | N/A                        | -    |
| <b>6.6 Unwanted emissions</b>                            |                                |                                       |                            |      |
| <b>6.6.1 Transmitter spurious emissions</b>              |                                |                                       |                            |      |
| (Category A)   | SBT, MBT                       | SBT <sup>2</sup> , MBT <sup>2</sup>   | TC7b                       | TC7b |
| (Category B)   | SBT, MBT                       | SBT <sup>2</sup> , MBT <sup>2</sup>   | TC7b                       | TC7b |
| Additional requirement for BC2 (Category B)              | SBT, MBT <sup>3</sup>          | SBT <sup>2</sup> , MBT <sup>2,3</sup> | TC7b                       | N/A  |
| Protection of the BS receiver of own or different BS     | SBT, MBT                       | SBT <sup>2</sup> , MBT <sup>2</sup>   | TC7b                       | TC7b |
| Additional spurious emissions requirements               | SBT, MBT                       | SBT <sup>2</sup> , MBT <sup>2</sup>   | TC7b                       | TC7b |
| Co-location with other Base Stations                     | SBT, MBT                       | SBT <sup>2</sup> , MBT <sup>2</sup>   | TC7b                       | TC7b |
| <b>6.6.2 Operating band unwanted emissions</b>           |                                |                                       |                            |      |
| General requirement for Band Categories 1 and 3          | SBT, MBT                       | SBT <sup>2</sup> , MBT <sup>2</sup>   | TC7b                       | TC7b |
| General requirement for Band Category 2                  | SBT, MBT                       | SBT <sup>2</sup> , MBT <sup>2</sup>   | TC7b                       | N/A  |
| GSM/EDGE single-RAT requirement                          | SBT, MBT                       | SBT <sup>2</sup> , MBT <sup>2</sup>   | TC7c                       | N/A  |

|  |                       |                                       |      |      |
|--|-----------------------|---------------------------------------|------|------|
| Additional requirements  | SBT, MBT              | SBT <sup>2</sup> , MBT <sup>2</sup>   | -    | -    |
| <b>6.6.3 Occupied bandwidth</b>  |                       |                                       |      |      |
| Minimum requirement  | SBT                   | SBT                                   | -    | -    |
| <b>6.6.4 Adjacent Channel Leakage power Ratio (ACLR)</b>   |                       |                                       | -    | -    |
| E-UTRA   | SBT, MBT <sup>4</sup> | SBT <sup>2</sup> , MBT <sup>2,4</sup> | TC7b | TC7b |
| UTRA FDD   | SBT, MBT <sup>4</sup> | SBT <sup>2</sup> , MBT <sup>2,4</sup> | TC7b | N/A  |
| UTRA TDD   | SBT, MBT <sup>4</sup> | SBT <sup>2</sup> , MBT <sup>2,4</sup> | N/A  | TC7b |
| Cumulative ACLR  | SBT, MBT <sup>4</sup> | SBT <sup>2</sup>                      | TC7b | TC7b |
| <b>6.7 Transmitter intermodulation</b>   |                       |                                       |      |      |
| General requirement  | SBT                   | SBT <sup>2</sup>                      | -    | -    |
| Additional requirement (BC1 and BC2)   | SBT                   | SBT <sup>2</sup>                      | -    | N/A  |
| Additional requirement (BC3)   | SBT                   | SBT <sup>2</sup>                      | N/A  | -    |
| <b>7.2 Reference sensitivity level</b>   |                       |                                       |      |      |
| E-UTRA   | SBT                   | SBT                                   | -    | -    |
| UTRA FDD   | SBT                   | SBT                                   | -    | -    |
| UTRA TDD   | SBT                   | SBT                                   | -    | -    |
| GSM/EDGE   | SBT                   | SBT                                   | -    | -    |
| <b>7.3 Dynamic range</b>   |                       |                                       |      |      |
| E-UTRA   | SBT                   | SBT                                   | -    | -    |
| UTRA FDD   | SBT                   | SBT                                   | -    | -    |
| UTRA TDD   | SBT                   | SBT                                   | -    | -    |
| GSM/EDGE   | SBT                   | SBT                                   | -    | -    |
| <b>7.4 In-band selectivity and blocking</b>  |                       |                                       |      |      |
| General blocking requirement   | MBT                   | SBT, MBT <sup>5</sup>                 | TC7b | TC7b |
| General narrowband blocking requirement  | MBT                   | SBT, MBT <sup>5</sup>                 | TC7b | TC7b |
| Additional narrowband blocking requirement for GSM/EDGE  | SBT                   | SBT                                   | -    |      |
| GSM/EDGE requirements for AM suppression   | SBT                   | SBT                                   | -    |      |
| Additional BC3 blocking requirement  | MBT                   | SBT, MBT <sup>5</sup>                 | N/A  | TC7b |
| <b>7.5 Out-of-band blocking</b>  |                       |                                       |      |      |
| General requirement  | MBT                   | SBT, MBT <sup>5</sup>                 | TC7b | TC7b |
| Co-location requirement  | MBT                   | SBT, MBT <sup>5</sup>                 | TC7b | TC7b |
| <b>7.6 Receiver spurious emissions</b>   |                       |                                       |      |      |
| General requirement  | SBT, MBT              | SBT <sup>2</sup> , MBT <sup>2</sup>   | TC7b | TC7b |
| Additional requirement for BC2 (Category B)  | SBT, MBT <sup>3</sup> | SBT <sup>2</sup> , MBT <sup>2,3</sup> | TC7b | N/A  |
| <b>7.7 Receiver intermodulation</b>  |                       |                                       |      |      |
| General intermodulation requirement  | MBT                   | SBT, MBT <sup>5</sup>                 | TC7b | TC7b |
| General narrowband intermodulation requirement   | MBT                   | SBT, MBT <sup>5</sup>                 | TC7b | TC7b |
| Additional narrowband intermodulation requirement for GSM/EDGE   | SBT                   | SBT                                   | -    | N/A  |
| <b>7.8 In-channel selectivity</b>  |                       |                                       |      |      |
| E-UTRA requirement   | SBT                   | SBT                                   | -    | -    |
| <p>NOTE 1: MBT is only applicable when DB-DC-HSDPA / inter-band CA is supported.</p> <p>NOTE 2: Single-band requirement apply to each antenna connector for both multi-band operation test and single-band operation test. For single-band operation test, other antenna connector(s) is (are) terminated.</p> <p>NOTE 3: For multi-band operation, this additional requirement for BC2 is applicable only when all supported operating bands belong to BC2 and GSM/EDGE is configured in all operating bands.</p> <p>NOTE 4: For ACLR, MBT shall be applied for the Inter RF bandwidth gap only. In case of a BS capable of CS4, CS5 or CS6, the referenced test configuration shall be the corresponding one for CS1, CS2 or CS3 respectively, i.e. without GSM/EDGE carriers.</p> <p>NOTE 5: MBT is only applied for multi-band receiver.</p> |                       |                                       |      |      |

## 6 Transmitter characteristics

### 6.1 General

General test conditions for transmitter tests are given in clause 4, including interpretation of measurement results and configurations for testing. BS configurations for the tests are defined in subclause 4.10.

### 6.2 Base Station output power

#### 6.2.1 Base Station maximum output power

##### 6.2.1.1 Definition and applicability

Output power of the Base Station is the mean power delivered to a load with resistance equal to the nominal load impedance of the transmitter.

The maximum total output power,  $P_{\max}$ , of the Base Station is the mean power level measured at the antenna connector during the transmitter ON period in a specified reference condition.

The maximum RAT output power,  $P_{\max, \text{RAT}}$ , of the Base Station is the mean power level measured at the antenna connector during the transmitter ON period for a specific RAT in a specified reference condition.

The maximum carrier output power,  $P_{\max, c}$  of the Base Station is the mean power level measured at the antenna connector during the transmitter ON period for a specific carrier in a specified reference condition.

The rated carrier output power,  $P_{\text{Rated}, c}$ , of the base station is the mean power level for a specific carrier that the manufacturer has declared to be available at the antenna connector during the transmitter ON period.

In certain regions, the minimum requirement for normal conditions may apply also for some conditions outside the ranges defined for the Normal test environment in Annex B.

The rated carrier output power of the BS shall be as specified in Table 6.2-1.

**Table 6.2-1 Base Station rated carrier output power**

| BS class  | $P_{\text{Rated}, c}$ |
|---|-----------------------|
| Wide Area BS  | (note)                |
| Medium Range BS   | $\leq +38$ dBm        |
| Local Area BS   | $\leq +24$ dBm        |
| NOTE: There is no upper limit for the rated carrier output power of the Wide Area Base Station. |                       |

##### 6.2.1.2 Minimum requirement

The minimum requirement is in TS 37.104 [2] subclause 6.2.1.

##### 6.2.1.3 Test purpose

The test purpose is to verify the accuracy of the maximum carrier output power across the frequency range and under normal and extreme conditions for all transmitters in the BS.



## 6.2.1.4 Method of test

### 6.2.1.4.1 Initial conditions

Test environment: normal; see Annex B.2.

RF bandwidth positions to be tested:  $B_{\text{RFBW}}$ ,  $M_{\text{RFBW}}$  and  $T_{\text{RFBW}}$  in single-band operation, see subclause 4.9.1;  $B_{\text{RFBW}_T}$  and  $B_{\text{RFBW}_T}$  in multi-band operation, see subclause 4.9.1.

In addition, a single test shall be performed under extreme power supply conditions as defined in Annex B.3. In this case, it is sufficient to test on a single combination of one ARFCN, UARFCN or E-ARFCN, one RF bandwidth position and with only one applicable test configuration defined in clause 5.

NOTE: Tests under extreme power supply also test extreme temperature.

Connect the power measuring equipment to the MSR Base Station antenna connector as shown in Annex D.1.1.

### 6.2.1.4.2 Procedure

- 1) Set the Base Station to transmit at maximum power according to the applicable test configuration in clause 5 using the corresponding test models or set of physical channels in subclause 4.9.2.
- 2) Measure the mean power for each carrier at the Base Station antenna connector.

In addition, for a multi-band capable BS, the following steps shall apply:

- 3) For multi-band capable BS and single band tests, repeat the steps above per involved band where single band test configurations and test models shall apply with no carrier activated in the other band.
- 4) For multi-band capable BS with separate antenna connector, the antenna connector not being under test in case of SBT or MBT shall be terminated.

## 6.2.1.5 Test requirements

In normal conditions, the measurement result in step 2 of subclause 6.2.1.4.2 shall for UTRA and E-UTRA remain: within +2.7 dB and -2.7 dB of the manufacturer's rated carrier output power for carrier frequency  $f \leq 3.0$  GHz, within +3.0 dB and -3.0 dB of the manufacturer's rated output power for carrier frequency  $3.0 \text{ GHz} < f \leq 4.2 \text{ GHz}$ , and for GSM/EDGE remain within +3.0 dB and -3.0 dB of the manufacturer's rated carrier output power.

In extreme conditions, measurement result in step 2 of subclause 6.2.1.4.2 shall for UTRA and E-UTRA remain: within +3.2 dB and -3.2 dB of the manufacturer's rated carrier output power for carrier frequency  $f \leq 3.0$  GHz, within +3.5 dB and -3.5 dB of the manufacturer's rated output power for carrier frequency  $3.0 \text{ GHz} < f \leq 4.2 \text{ GHz}$ , and for GSM/EDGE remain within +3.5 dB and -3.5 dB of the manufacturer's rated carrier output power.

## 6.2.2 E-UTRA DL RS power

### 6.2.2.1 Definition and applicability

E-UTRA DL RS power is the resource element power of Downlink Reference Symbol.

The absolute DL RS power is indicated on the DL-SCH. The absolute accuracy is defined as the maximum deviation between the DL RS power indicated on the DL-SCH and the DL RS power at the BS antenna connector.

### 6.2.2.2 Minimum requirement

The minimum requirement is in TS 37.104 [2] subclause 6.2.3.

### 6.2.2.3 Test purpose

The test purpose is to verify that the E-UTRA DL RS power is within the limits specified by the minimum requirement.

### 6.2.2.4 Method of test

For this requirement Tables 5.1-1 and 5.2-1 refer to single-RAT specifications; see clause 5. The following shall apply:

- For references to TS 36.141 [9], the method of test is specified in TS 36.141 [9], subclause 6.5.4.4.

In addition, for a multi-band capable BS, the following steps shall apply:

- For multi-band capable BS and single band tests, repeat the tests per involved band where single carrier test models shall apply with no carrier activated in the other band.
- For multi-band capable BS with separate antenna connector, the antenna connector not being under test shall be terminated.

### 6.2.2.5 Test requirements

The test requirement for DL RS power is specified in TS 36.141 [9], subclause 6.5.4.5.

## 6.2.3 UTRA FDD primary CPICH power

### 6.2.3.1 Definition and applicability

UTRA FDD primary CPICH power is the code domain power of the Common Pilot Channel. Primary CPICH power is indicated on the BCH. CPICH power accuracy is defined as the maximum deviation between the Primary CPICH code domain power indicated on the BCH and the Primary CPICH code domain power measured at the TX antenna interface.

### 6.2.3.2 Minimum requirement

The minimum requirement is in TS 37.104 [2] subclause 6.2.4.

### 6.2.3.3 Test purpose

The test purpose is to verify that the UTRA FDD primary CPICH power is within the limits specified by the minimum requirement.

### 6.2.3.4 Method of test

For this requirement Tables 5.1-1 and 5.2-1 refer to single-RAT specifications; see clause 5. The following shall apply:

- For references to TS 25.141 [10], the method of test is specified in TS 25.141 [10], subclause 6.2.2.4.

In addition, for a multi-band capable BS, the following steps shall apply:

- For multi-band capable BS and single band tests, repeat the tests per involved band where single band test configurations and test models shall apply with no carrier activated in the other band.
- For multi-band capable BS with separate antenna connector, the antenna connector not being under test shall be terminated.

### 6.2.3.5 Test requirements

For UTRA FDD the test requirement for CPICH power is specified in TS 25.141 [10], subclause 6.2.2.5.

## 6.2.3A UTRA FDD secondary CPICH power

### 6.2.3A.1 Definition and applicability

UTRA FDD secondary CPICH power is the code domain power of the Secondary Common Pilot Channel. Secondary CPICH power is equal to the sum of the Primary CPICH power and the power offset, which are signalled to the UE. Secondary CPICH power accuracy is defined as the maximum deviation of the relevant IE between the Primary CPICH power transmitted at the first antenna connector and the Secondary CPICH power transmitted at the second antenna connector.

### 6.2.3A.2 Minimum requirement

The minimum requirement is in TS 37.104 [2] subclause 6.2.4A.

### 6.2.3A.3 Test purpose

The test purpose is to verify that the UTRA FDD secondary CPICH power is within the limits specified by the minimum requirement.

### 6.2.3A.4 Method of test

For this requirement Tables 5.1-1 and 5.2-1 refer to single-RAT specifications; see clause 5. The following shall apply:

- For references to TS 25.141 [10], the method of test is specified in TS 25.141 [10], subclause 6.2.3.4.

In addition, for a multi-band capable BS, the following steps shall apply:

- For multi-band capable BS and single band tests, repeat the tests per involved band where single band test configurations and test models shall apply with no carrier activated in the other band.
- For multi-band capable BS with separate antenna connector, the antenna connector not being under test shall be terminated.

### 6.2.3A.5 Test requirements

For UTRA FDD the test requirement for CPICH power is specified in TS 25.141 [10], subclause 6.2.3.5.

## 6.2.4 UTRA TDD primary CCPCH power

### 6.2.4.1 Definition and applicability

UTRA TDD primary CCPCH power is the code domain power of the Primary Common Control Physical Channel averaged over the transmit timeslot. Primary CCPCH power is signalled on the BCH.

UTRA TDD differential accuracy of the Primary CCPCH power is the relative transmitted power accuracy of PCCPCH in consecutive frames when the nominal PCCPCH power is not changed.

### 6.2.4.2 Minimum requirement

The minimum requirement is in TS 37.104 [2] subclause 6.2.5.

### 6.2.4.3 Test purpose

The test purpose is to verify that the UTRA TDD primary CCPCH power and differential accuracy of Primary CCPCH power are within the limits specified by the minimum requirement.

### 6.2.4.4 Method of test

For this requirement Tables 5.1-1 and 5.2-1 refer to single-RAT specifications; see clause 5. The following shall apply:

- For references to TS 25.142, the methods of test are specified in TS 25.142 [12], subclause 6.4.5.4 and 6.4.6.4 respectively.

In addition, for a multi-band capable BS, the following steps shall apply:

- For multi-band capable BS and single band tests, repeat the tests per involved band where single band test configurations and test models shall apply with no carrier activated in the other band.
- For multi-band capable BS with separate antenna connector, the antenna connector not being under test shall be terminated.

#### 6.2.4.5 Test requirements

For UTRA TDD, the test requirement for primary CCPCH power and the differential accuracy of Primary CCPCH power are specified in TS 25.142 [12], subclause 6.4.5.5 and 6.4.6.5, respectively.

### 6.3 Output power dynamics

#### 6.3.1 Definition and applicability

Output power dynamics is defined by the MSR BS transmitter's ability to operate at varying output power levels.

#### 6.3.2 Minimum Requirement

The minimum requirement is in TS 37.104 [2] subclause 6.3.1, 6.3.2, 6.3.3 and 6.3.4.

#### 6.3.3 Test purpose

The test purpose is to verify that the output power dynamics are met as specified by the minimum requirement.

#### 6.3.4 Method of test

For this requirement Tables 5.1-1 and 5.2-1 refer to single-RAT specifications; see clause 5. The following shall apply:

- For references to TS 36.141 [9], the method of test is specified in TS 36.141 [9], subclause 6.3.2.4.
- For references to TS 25.141 [10], the method of test is specified in TS 25.141 [10], subclause 6.4.2.4, 6.4.3.4, 6.4.4.4 and 6.4.5.4.
- For references to TS 25.142 [12], the method of test is specified in TS 25.142 [12], subclause 6.4.2.4, 6.4.3.4, 6.4.4.4, 6.4.5.4 and 6.4.6.4.
- For references to TS 51.021 [11], the method of test is specified in TS 51.021 [11], subclause 6.3 and 6.4.

In addition, for a multi-band capable BS, the following steps shall apply:

- For multi-band capable BS and single band tests, repeat the tests per involved band where single carrier test models shall apply with no carrier activated in the other band.
- For multi-band capable BS with separate antenna connector, the antenna connector not being under test shall be terminated.

#### 6.3.5 Test Requirement

For E-UTRA, the test requirement is specified in TS 36.141 [9], subclause 6.3.2.5.

For UTRA FDD, the test requirement is specified in TS 25.141 [10], subclause 6.4.2.5, 6.4.3.5, 6.4.4.5 and 6.4.5.5.

For UTRA TDD, the test requirement is specified in TS 25.142 [12], subclause 6.4.2.5, 6.4.3.5, 6.4.4.5, 6.4.5.5 and 6.4.6.5.

For GSM/EDGE, the test requirement is specified in TS 51.021 [11], subclause 6.3.3 and 6.4.3.

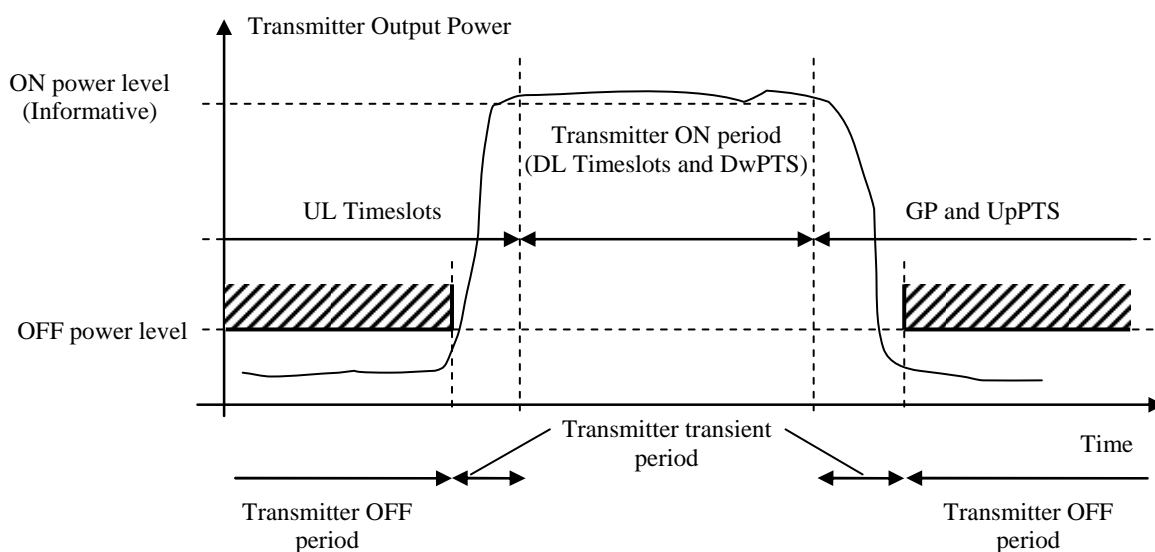
## 6.4 Transmit ON/OFF power

The requirements in subclause 6.4 are only applied for BC3 BS.

### 6.4.1 Definition and applicability

Transmitter OFF power is defined as the mean power measured over 70  $\mu$ s filtered with a square filter of bandwidth equal to the RF bandwidth(s) of the BS centred on the central frequency of the RF bandwidth(s) during the transmitter OFF period.

The transmitter transient period is the time period during which the transmitter is changing from the OFF period to the ON period or vice versa. The transmitter transient period is illustrated in Figure 6.4.1-1.



**Figure 6.4.1-1 Illustration of the relations of transmitter ON period, transmitter OFF period and transmitter transient period.**

### 6.4.2 Minimum Requirement

The minimum requirement is in TS 37.104 [2] subclause 6.4.1.1 and subclause 6.4.2.1.

### 6.4.3 Test purpose

The purpose of this test is to verify the BC3 BS transmitter OFF power and transient periods are within the limits of the minimum requirements.

### 6.4.4 Method of test

#### 6.4.4.1 Initial conditions

Test environment: normal; see Annex B.2.

RF bandwidth positions to be tested:  $M_{\text{RFBW}}$  in single band operation, see subclause 4.9.1;  $B_{\text{RFBW\_T}}''_{\text{RFBW}}$  and  $B''_{\text{RFBW\_T}}_{\text{RFBW}}$  in multi-band operation; see subclause 4.9.1.

Connect the signal analyzer to the MSR BS antenna connector as shown in Annex D.1.1.

### 6.4.4.2 Procedure

- 1) Set the BS to transmit a signal according to the applicable test configuration in clause 5 using the corresponding test models or set of physical channels in subclause 4.9.2.
- 2) Measure the mean power spectral density measured over  $70\mu\text{s}$  filtered with a square filter of bandwidth equal to the RF bandwidth of the BS centred on the central frequency of the RF bandwidth.  $70\mu\text{s}$  average window centre is set from  $35\mu\text{s}$  after end of one transmitter ON period +  $17\mu\text{s}$  to  $35\mu\text{s}$  before start of next transmitter ON period –  $6.25\mu\text{s}$ .

In addition, for a multi-band capable BS, the following steps shall apply:

- 3) For multi-band capable BS with separate antenna connector, the antenna connector not being under test shall be terminated.

### 6.4.5 Test requirement

The transmitter OFF power spectral density shall be less than  $-83\text{ dBm/MHz}$ .

For BS capable of multi-band operation, the requirement is only applicable during the transmitter OFF period in all supported operating bands.

The measured mean power spectral density according to subclause 6.4.4.2 shall be less than  $-83\text{ dBm/MHz}$  for carrier frequency  $f \leq 3.0\text{ GHz}$ .

The measured mean power spectral density shall be less than  $-82.5\text{ dBm/MHz}$  for carrier frequency  $3.0\text{ GHz} < f \leq 4.2\text{ GHz}$ .

NOTE: If the above Test Requirement differs from the Minimum Requirement then the Test Tolerance applied for this test is non-zero. The Test Tolerance for this test and the explanation of how the Minimum Requirement has been relaxed by the Test Tolerance are given in Annex C.

## 6.5 Transmitted signal quality

### 6.5.1 Modulation quality

#### 6.5.1.1 Definition and applicability

Modulation quality is defined by the difference between the measured carrier signal and a reference signal. Modulation quality can e.g. be expressed as Error Vector Magnitude (EVM), Peak Code domain Error (PCDE) or Relative Code domain Error (RCDE).

#### 6.5.1.2 Minimum Requirement

The minimum requirement is in TS 37.104 [2] subclause 6.5.1.

#### 6.5.1.3 Test purpose

The test purpose is to verify that modulation quality is within the limit specified by the minimum requirement.

#### 6.5.1.4 Method of test

##### 6.5.1.4.1 Initial conditions

Test environment: normal; see Annex B.2.

RF bandwidth position to be tested:  $B_{\text{RFBW}}$ ,  $M_{\text{RFBW}}$  and  $T_{\text{RFBW}}$  single-band operation, see subclause 4.9.1 single-band operation.

- 1) Connect measurement device to the base station antenna connector as shown in Annex D.1.1.

#### 6.5.1.4.2 Procedure

- 1) Set the BS to transmit according to the applicable test configuration in clause 5 using the corresponding test models or set of physical channels in subclause 4.9.2.
- 2) Perform the measurement on each carrier as follows:
  - For measurement on an E-UTRA carrier, see TS 36.141 [9] subclause 6.5.2.4.2 step 2 to 4.
  - For EVM measurement on a UTRA FDD carrier, see TS 25.141 [10] subclause 6.7.1.4.2 step 2 to 5 using a filter defined in subclause 6.7.1.1.
  - For PCDE measurement on a UTRA FDD carrier, see TS 25.141 [10] subclause 6.7.2.4.2 using TM3.
  - For RCDE measurement on a UTRA FDD carrier, see TS 25.141 [10] subclause 6.7.4.4.2 using TM6.
  - For EVM measurement on a UTRA TDD carrier, see TS 25.142 [12] subclause 6.8.1.4.2.2 using a filter defined in subclause 6.8.1.1.
  - For PCDE measurement on a UTRA TDD carrier, see TS 25.142 [12] subclause 6.8.2.4.1.2.
  - For RCDE measurement on a UTRA TDD carrier, see TS 25.142 [12] subclause 6.8.3.4.1.1.
  - For measurement on a GSM/EDGE carrier, see TS 51.021 [11] subclause 6.2.2.

In addition, for a multi-band capable BS, the following steps shall apply:

- 3) For multi-band capable BS and single band tests, repeat the steps above per involved band where single band test configurations and test models shall apply with no carrier activated in the other band.
- 4) For multi-band capable BS with separate antenna connector, the antenna connector not being under test in case of SBT or MBT shall be terminated.

#### 6.5.1.5 Test Requirements

##### 6.5.1.5.1 E-UTRA test requirement

For every measured E-UTRA carrier, the test requirement is specified in TS 36.141 [9] subclause 6.5.2.5.

##### 6.5.1.5.2 UTRA FDD test requirement

For every measured UTRA FDD carrier, the test requirement is specified in TS 25.141 [10] subclause 6.7.1.5, 6.7.2.5 and 6.7.4.5.

##### 6.5.1.5.3 UTRA TDD test requirement

For every measured UTRA TDD carrier, the test requirement is specified in TS 25.142 [12] subclause 6.8.1.5, 6.8.2.5 and 6.8.3.5.

##### 6.5.1.5.4 GSM/EDGE test requirement

For every measured GSM/EDGE carrier, the test requirement is specified in TS 51.021 [11] subclause 6.2.3.

#### 6.5.2 Frequency error

##### 6.5.2.1 Definition and applicability

Frequency error is the measure of the difference between the actual BS transmit frequency and the assigned frequency. The same source shall be used for RF frequency and data clock generation.

It is not possible to verify by testing that the data clock is derived from the same frequency source as used for RF generation. This may be confirmed by the manufacturer's declaration.

### 6.5.2.2 Minimum Requirement

The minimum requirement is in TS 37.104 [2] subclause 6.5.2.

### 6.5.2.3 Test purpose

The test purpose is to verify that frequency error is within the limit specified by the minimum requirement.

### 6.5.2.4 Method of test

Requirement is tested together with Error Vector Magnitude test, as described in subclause 6.5.1.

### 6.5.2.5 Test Requirements

#### 6.5.2.5.1 E-UTRA test requirement

For every measured E-UTRA carrier, the test requirement is specified in TS 36.141 [9] subclause 6.5.1.5.

#### 6.5.2.5.2 UTRA FDD test requirement

For every measured UTRA FDD carrier, the test requirement is specified in TS 25.141 [10] subclause 6.3.5.

#### 6.5.2.5.3 UTRA TDD test requirement

For every measured UTRA TDD carrier, the test requirement is specified in TS 25.142 [12] subclause 6.3.5.

#### 6.5.2.5.4 GSM/EDGE test requirement

For every measured GSM/EDGE carrier, the test requirement is specified in TS 51.021 [11] subclause 6.2.3.

## 6.5.3 Time alignment error

### 6.5.3.1 Definition and applicability

This requirement applies to frame timing in:

- UTRA single/multi-carrier transmissions, and their combinations with MIMO or TX diversity.
- E-UTRA single/multi-carrier transmissions, and their combinations with MIMO or TX diversity.
- E-UTRA Carrier Aggregation, with or without MIMO or TX diversity.

Frames of the WCDMA/LTE signals present at the BS transmitter antenna connector(s) are not perfectly aligned in time. In relation to each other, the RF signals present at the BS transmitter antenna connector(s) experience certain timing differences.

For a specific set of signals/transmitter configuration/transmission mode, Time Alignment Error (TAE) is defined as the largest timing difference between any two signals.

### 6.5.3.2 Minimum requirement

The minimum requirement is in TS 37.104 [2] subclause 6.5.3.

### 6.5.3.3 Test purpose

To verify that the time alignment error is within the limit specified by the minimum requirement.



#### 6.5.3.4 Method of test

For this requirement Tables 5.1-1 and 5.2-1 refer to single-RAT specifications; see clause 5. The following shall apply:

- For references to TS 25.141 [10], the method of test is specified in TS 25.141 [10], subclause 6.7.3.4.
- For references to TS 25.142 [12], the method of test is specified in TS 25.142 [12], subclause 6.8.4.4.
- For references to TS 36.141 [9], the method of test is specified in TS 36.141 [9], subclause 6.5.3.4.

In addition, for a multi-band capable BS, the following steps shall apply:

- For multi-band capable BS and single band tests, repeat the tests per involved band where single band test configurations and test models shall apply with no carrier activated in the other band.
- For multi-band capable BS with separate antenna connector, the antenna connector not being under test in case of SBT or MBT shall be terminated.

#### 6.5.3.5 Test requirement

For E-UTRA, the test requirement for time alignment error is specified in TS 36.141 [9], subclause 6.5.3.5.

For UTRA FDD, the test requirement for time alignment error is specified in TS 25.141 [10], subclause 6.7.3.5.

For UTRA TDD, the test requirement for time alignment error is specified in TS 25.142 [12], subclause 6.8.4.5.

### 6.6 Unwanted emissions

Unwanted emissions consist of out-of-band emissions and spurious emissions [13]. Out of band emissions are unwanted emissions immediately outside the channel bandwidth resulting from the modulation process and non-linearity in the transmitter but excluding spurious emissions. Spurious emissions are emissions which are caused by unwanted transmitter effects such as harmonics emission, parasitic emission, intermodulation products and frequency conversion products, but exclude out of band emissions.

The out-of-band emissions requirement for the BS transmitter is specified in terms of an Operating band unwanted emissions requirement that defines limits for emissions in each supported downlink operating band plus the frequency ranges 10 MHz above and 10 MHz below each band. Emissions outside of this frequency range are limited by a spurious emissions requirement.

There is in addition a requirement for occupied bandwidth and an ACLR requirement applicable for some RATs.

#### 6.6.1 Transmitter spurious emissions

##### 6.6.1.1 Definition and applicability

The transmitter spurious emission limits apply from 9 kHz to 12.75 GHz, excluding the frequency range from 10 MHz below the lowest frequency of the downlink operating band up to 10 MHz above the highest frequency of the downlink operating band. For BS capable of multi-band operation where multiple bands are mapped on the same antenna connector, this exclusion applies for each supported operating band. For BS capable of multi-band operation where multiple bands are mapped on separate antenna connectors, the single-band requirements apply and the multi-band exclusions and provisions are not applicable.

Exceptions are the requirement in Table 6.6.1.3.1-2 in TS 37.104 [2], and specifically stated exceptions in Table 6.6.1.5.5-1 that apply also closer than 10 MHz from the downlink operating band. For some operating bands the upper frequency limit is higher than 12.75 GHz.

The requirements shall apply whatever the type of transmitter considered. It applies for all transmission modes foreseen by the manufacturer's specification. Unless otherwise stated, all requirements are measured as mean power (RMS).

##### 6.6.1.2 Minimum requirement

The minimum requirement is in TS 37.104 [2] subclause 6.6.1.

### 6.6.1.3 Test purpose

This test measures conducted spurious emission from the MSR BS transmitter antenna connector, while the transmitter is in operation.

### 6.6.1.4 Method of test

#### 6.6.1.4.1 Initial conditions

Test environment: normal; see Annex B.2.

RF bandwidth positions to be tested:  $B_{\text{RFBW}}$ ,  $M_{\text{RFBW}}$  and  $T_{\text{RFBW}}$  single-band operation, see subclause 4.9.1;  $B_{\text{RFBW}}T_{\text{RFBW}}$  and  $B_{\text{RFBW}}M_{\text{RFBW}}$  in multi-band operation, see subclause 4.9.1.

- 1) Connect the BS antenna connector to a measurement receiver according to Annex D.1.1 using an attenuator or a directional coupler if necessary
- 2) Measurements shall use a measurement bandwidth in accordance to the conditions in TS 37.104 [2] subclause 6.6.1.
- 3) Detection mode: True RMS.

#### 6.6.1.4.2 Procedure

- 1) Set the Base Station to transmit at maximum power according to the applicable test configuration in clause 5 using the corresponding test models or set of physical channels in subclause 4.9.2.
- 2) Measure the emission at the specified frequencies with specified measurement bandwidth and note that the measured value does not exceed the specified value.

In addition, for a multi-band capable BS, the following steps shall apply:

- 4) For multi-band capable BS and single band tests, repeat the steps above per involved band where single band test configurations and test models shall apply with no carrier activated in the other band.
- 5) For multi-band capable BS with separate antenna connector, the antenna connector not being under test in case of SBT or MBT shall be terminated.

### 6.6.1.5 Test requirements

The measurement result in step 2 of 6.6.1.4.2 shall not exceed the maximum level specified in Table 6.6.1.5.1-1 to Table 6.6.1.5.6-1 if applicable for the BS under test.

The test requirements of either subclause 6.6.1.5.1 (Category A limits) or subclause 6.6.1.5.2 (Category B limits) shall apply. In addition for a BS operating in Band Category 2, the test requirements of 6.6.1.5.3 shall apply in case of Category B limits.

## 6.6.1.5.1 Spurious emissions (Category A)

The power of any spurious emission shall not exceed the limits in Table 6.6.1.5.1-1

**Table 6.6.1.5.1-1: BS Spurious emission limits, Category A**

| Frequency range  | Maximum level | Measurement Bandwidth | Note           |
|--|---------------|-----------------------|----------------|
| 9kHz - 150kHz  | -13 dBm       | 1 kHz                 | Note 1         |
| 150kHz - 30MHz   |               | 10 kHz                | Note 1         |
| 30MHz - 1GHz   |               | 100 kHz               | Note 1         |
| 1GHz - 12.75 GHz   |               | 1 MHz                 | Note 2         |
| 12.75 GHz – 5 <sup>th</sup> harmonic of the upper frequency edge of the DL operating band in GHz       |               | 1 MHz                 | Note 2, Note 3 |
| NOTE 1: Bandwidth as in ITU-R SM.329 [13], s4.1  |               |                       |                |
| NOTE 2: Bandwidth as in ITU-R SM.329 [13], s4.1. Upper frequency as in ITU-R SM.329 [13], s2.5 table 1 |               |                       |                |
| NOTE 3: Applies only for Bands 22, 42 and 43.  |               |                       |                |

## 6.6.1.5.2 Spurious emissions (Category B)

The power of any spurious emission shall not exceed the limits in Table 6.6.1.5.2-1

**Table 6.6.1.5.2-1: BS Spurious emissions limits, Category B**

| Frequency range  | Maximum Level | Measurement Bandwidth | Note           |
|--|---------------|-----------------------|----------------|
| 9 kHz ↔ 150 kHz  | -36 dBm       | 1 kHz                 | Note 1         |
| 150 kHz ↔ 30 MHz   | -36 dBm       | 10 kHz                | Note 1         |
| 30 MHz ↔ 1 GHz   | -36 dBm       | 100 kHz               | Note 1         |
| 1 GHz ↔ 12.75 GHz  | -30 dBm       | 1 MHz                 | Note 2         |
| 12.75 GHz ↔ 5 <sup>th</sup> harmonic of the upper frequency edge of the DL operating band in GHz       | -30 dBm       | 1 MHz                 | Note 2, Note 3 |
| NOTE 1: Bandwidth as in ITU-R SM.329 [13], s4.1  |               |                       |                |
| NOTE 2: Bandwidth as in ITU-R SM.329 [13], s4.1. Upper frequency as in ITU-R SM.329 [13], s2.5 table 1 |               |                       |                |
| NOTE 3: Applies only for Bands 22, 42 and 43.  |               |                       |                |

## 6.6.1.5.3 Additional test requirement for BC2 (category B)

For a BS operating in Band Category 2 when GSM/EDGE is configured, the power of any spurious emission shall not exceed the limits in Table 6.6.1.5.3-1.

For BS capable of multi-band operation, the limits in Table 6.6.1.5.3-1 are only applicable when all supported operating bands belong to BC2 and GSM/EDGE is configured in all bands.

**Table 6.6.1.5.3-1: Additional BS Spurious emissions limits for BC2, Category B**

| Frequency range   | Frequency offset from transmitter operating band edge (Note1) | Maximum Level | Measurement Bandwidth |
|---|---|---------------|-----------------------|
| 500 MHz ↔ 1 GHz   | 10 – 20 MHz   | -36 dBm       | 300 kHz               |
|   | 20 – 30 MHz   | -36 dBm       | 1 MHz                 |
|   | ≥ 30 MHz  | -36 dBm       | 3 MHz                 |
| 1 GHz ↔ 12.75 GHz   | ≥ 30 MHz  | -30 dBm       | 3 MHz                 |
| NOTE 1: For BS capable of multi-band operation, the frequency offset is relative to the closest operating band. |   |               |                       |

#### 6.6.1.5.4 Protection of the BS receiver of own or different BS

This requirement shall be applied for FDD operation in order to prevent the receivers of Base Stations being desensitised by emissions from the BS transmitter. It is measured at the transmit antenna port for any type of BS which has common or separate Tx/Rx antenna ports.

The power of any spurious emission shall not exceed the limits in Table 6.6.1.5.4-1, depending on the declared Base Station class and Band Category.

**Table 6.6.1.5.4-1: BS Spurious emissions limits for protection of the BS receiver**

| BS Class        | Band category | Frequency range              | Maximum Level | Measurement Bandwidth | Note |
|-----------------|---------------|------------------------------|---------------|-----------------------|------|
| Wide Area BS    | BC1           | $F_{UL\_low} - F_{UL\_high}$ | -96 dBm       | 100 kHz               |      |
| Wide Area BS    | BC2           | $F_{UL\_low} - F_{UL\_high}$ | -98 dBm       | 100 kHz               |      |
| Medium Range BS | BC1,BC2       | $F_{UL\_low} - F_{UL\_high}$ | -91 dBm       | 100 kHz               |      |
| Local Area BS   | BC1,BC2       | $F_{UL\_low} - F_{UL\_high}$ | -88 dBm       | 100 kHz               |      |

#### 6.6.1.5.5 Additional spurious emission requirements

These requirements may be applied for the protection of system operating in frequency ranges other than the BS downlink operating band. The limits may apply as an optional protection of such systems that are deployed in the same geographical area as the BS, or they may be set by local or regional regulation as a mandatory requirement for an operating band. It is in some cases not stated in the present document whether a requirement is mandatory or under what exact circumstances that a limit applies, since this is set by local or regional regulation. An overview of regional requirements in the present document is given in subclause 4.4.

Some requirements may apply for the protection of specific equipment (UE, MS and/or BS) or equipment operating in specific systems (GSM/EDGE, CDMA, UTRA, E-UTRA, etc.) as listed below. The power of any spurious emission shall not exceed the limits of Table 6.6.1.5.5-1 for a BS where requirements for co-existence with the system listed in the first column apply. For BS capable of multi-band operation, the exclusions and conditions in the Note column of Table 6.6.1.5.5-1 apply for each supported operating band. For BS capable of multi-band operation where multiple bands are mapped on separate antenna connectors, the exclusions and conditions in the Note column of Table 6.6.1.5.5-1 apply for the operating band supported at that antenna connector.

**Table 6.6.1.5.5-1: BS Spurious emissions limits for co-existence with systems operating in other frequency bands**

| System type to co-exist with                | Frequency range for co-existence requirement | Maximum Level | Measurement Bandwidth | Note  |
|---|--|---------------|-----------------------|---|
| GSM900                                      | 921 - 960 MHz                                | -57 dBm       | 100 kHz               | This requirement does not apply to BS operating in band 8   |
|   | 876 - 915 MHz                                | -61 dBm       | 100 kHz               | For the frequency range 880-915 MHz, this requirement does not apply to BS operating in band 8, since it is already covered by the requirement in sub-clause 6.6.1.5.4.   |
| DCS1800 (Note 3)                            | 1805 - 1880 MHz                              | -47 dBm       | 100 kHz               | This requirement does not apply to BS operating in band 3.  |
|   | 1710 - 1785 MHz                              | -61 dBm       | 100 kHz               | This requirement does not apply to BS operating in band 3, since it is already covered by the requirement in sub-clause 6.6.1.5.4.  |
| PCS1900                                     | 1930 - 1990 MHz                              | -47 dBm       | 100 kHz               | This requirement does not apply to BS operating in band 2, 25 or band 36.   |
|   | 1850 - 1910 MHz                              | -61 dBm       | 100 kHz               | This requirement does not apply to BS operating in band 2 or 25, since it is already covered by the requirement in sub-clause 6.6.1.5.4. This requirement does not apply to BS operating in band 35.  |
| GSM850 or CDMA850                           | 869 - 894 MHz                                | -57 dBm       | 100 kHz               | This requirement does not apply to BS operating in band 5 or 26. This requirement applies to E-UTRA BS operating in Band 27 for the frequency range 879-894 MHz.  |
|   | 824 - 849 MHz                                | -61 dBm       | 100 kHz               | This requirement does not apply to BS operating in band 5 or 26, since it is already covered by the requirement in sub-clause 6.6.1.5.4. For BS operating in Band 27, it applies 3 MHz below the Band 27 downlink operating band.   |
| UTRA FDD Band I or E-UTRA Band 1            | 2110 - 2170 MHz                              | -52 dBm       | 1 MHz                 | This requirement does not apply to BS operating in band 1,  |
|   | 1920 - 1980 MHz                              | -49 dBm       | 1 MHz                 | This requirement does not apply to BS operating in band 1, since it is already covered by the requirement in sub-clause 6.6.1.5.4.  |
| UTRA FDD Band II or E-UTRA Band 2           | 1930 - 1990 MHz                              | -52 dBm       | 1 MHz                 | This requirement does not apply to BS operating in band 2 or 25.  |
|   | 1850 - 1910 MHz                              | -49 dBm       | 1 MHz                 | This requirement does not apply to BS operating in band 2 or 25, since it is already covered by the requirement in sub-clause 6.6.1.5.4   |
| UTRA FDD Band III or E-UTRA Band 3 (Note 3) | 1805 - 1880 MHz                              | -52 dBm       | 1 MHz                 | This requirement does not apply to BS operating in band 3 or 9.   |
|   | 1710 - 1785 MHz                              | -49 dBm       | 1 MHz                 | This requirement does not apply to BS operating in band 3, since it is already covered by the requirement in sub-clause 6.6.1.5.4. For BS operating in band 9, it applies for 1710 MHz to 1749.9 MHz and 1784.9 MHz to 1785 MHz, while the rest is covered in sub-clause 6.6.1.5.4. |
| UTRA FDD Band IV or E-UTRA Band 4           | 2110 - 2155 MHz                              | -52 dBm       | 1 MHz                 | This requirement does not apply to BS operating in band 4 or 10.  |
|   | 1710 - 1755 MHz                              | -49 dBm       | 1 MHz                 | This requirement does not apply to BS operating in band 4 or 10, since it is already covered by the requirement in sub-clause 6.6.1.5.4.  |
| UTRA FDD Band V or E-UTRA Band 5            | 869 - 894 MHz                                | -52 dBm       | 1 MHz                 | This requirement does not apply to BS operating in band 5 or 26. This requirement applies to E-UTRA BS operating in Band 27 for the frequency range 879-894 MHz.  |
|   | 824 - 849 MHz                                | -49 dBm       | 1 MHz                 | This requirement does not apply to BS operating in band 5 or 26, since it is already covered by the requirement in sub-clause 6.6.1.5.4. For BS operating in Band 27, it applies 3 MHz below the Band 27 downlink operating band.   |
| UTRA FDD Band VI, XIX or                    | 860 - 890 MHz                                | -52 dBm       | 1 MHz                 | This requirement does not apply to BS operating in band 6, 18, 19   |

|   |                     |         |       |   |
|---|---------------------|---------|-------|---|
| E-UTRA Band 6, 18, 19                           | 815 - 830 MHz       | -49 dBm | 1 MHz | This requirement does not apply to BS operating in band 18 since it is already covered by the requirement in sub-clause 6.6.1.5.4.  |
|   | 830 - 845 MHz       | -49 dBm | 1 MHz | This requirement does not apply to BS operating in band 6, 19, since it is already covered by the requirement in sub-clause 6.6.1.5.4.  |
| UTRA FDD Band VII or E-UTRA Band 7              | 2620 - 2690 MHz     | -52 dBm | 1 MHz | This requirement does not apply to BS operating in band 7.  |
|   | 2500 - 2570 MHz     | -49 dBm | 1 MHz | This requirement does not apply to BS operating in band 7, since it is already covered by the requirement in sub-clause 6.6.1.5.4.  |
| UTRA FDD Band VIII or E-UTRA Band 8             | 925 - 960 MHz       | -52 dBm | 1 MHz | This requirement does not apply to BS operating in band 8.  |
|   | 880 - 915 MHz       | -49 dBm | 1 MHz | This requirement does not apply to BS operating in band 8, since it is already covered by the requirement in sub-clause 6.6.1.5.4.  |
| UTRA FDD Band IX or E-UTRA Band 9               | 1844.9 - 1879.9 MHz | -52 dBm | 1 MHz | This requirement does not apply to BS operating in band 3 or 9.   |
|   | 1749.9 - 1784.9 MHz | -49 dBm | 1 MHz | This requirement does not apply to BS operating in band 3 or 9, since it is already covered by the requirement in sub-clause 6.6.1.5.4.   |
| UTRA FDD Band X or E-UTRA Band 10               | 2110 - 2170 MHz     | -52 dBm | 1 MHz | This requirement does not apply to BS operating in band 4 or 10.  |
|   | 1710 - 1770 MHz     | -49 dBm | 1 MHz | This requirement does not apply to BS operating in band 10, since it is already covered by the requirement in sub-clause 6.6.1.5.4. For BS operating in band 4, it applies for 1755 MHz to 1770 MHz, while the rest is covered in sub-clause 6.6.1.5.4. |
| UTRA FDD Band XI or XXI or E-UTRA Band 11 or 21 | 1475.9 - 1510.9 MHz | -52 dBm | 1 MHz | This requirement does not apply to BS operating in band 11, 21 or 32.   |
|   | 1427.9 - 1447.9 MHz | -49 dBm | 1 MHz | This requirement does not apply to BS operating in band 11, since it is already covered by the requirement in sub-clause 6.6.1.5.4. For BS operating in Band 32, this requirement applies for carriers allocated within 1475.9MHz and 1495.9MHz.        |
|   | 1447.9 - 1462.9 MHz | -49 dBm | 1 MHz | This requirement does not apply to BS operating in band 21, since it is already covered by the requirement in sub-clause 6.6.1.5.4. For BS operating in Band 32, this requirement applies for carriers allocated within 1475.9MHz and 1495.9MHz.        |
| UTRA FDD Band XII or E-UTRA Band 12             | 729 - 746 MHz       | -52 dBm | 1 MHz | This requirement does not apply to BS operating in band 12.   |
|   | 699 - 716 MHz       | -49 dBm | 1 MHz | This requirement does not apply to BS operating in band 12, since it is already covered by the requirement in sub-clause 6.6.1.5.4. For BS operating in Band 29, it applies 1 MHz below the Band 29 downlink operating band (Note 7).                   |
| UTRA FDD Band XIII or E-UTRA Band 13            | 746 - 756 MHz       | -52 dBm | 1 MHz | This requirement does not apply to BS operating in band 13.   |
|   | 777 - 787 MHz       | -49 dBm | 1 MHz | This requirement does not apply to BS operating in band 13, since it is already covered by the requirement in sub-clause 6.6.1.5.4.   |
| UTRA FDD Band XIV or E-UTRA Band 14             | 758 - 768 MHz       | -52 dBm | 1 MHz | This requirement does not apply to BS operating in band 14.   |
|   | 788 - 798 MHz       | -49 dBm | 1 MHz | This requirement does not apply to BS operating in band 14, since it is already covered by the requirement in sub-clause 6.6.1.5.4.   |
| E-UTRA Band 17                                  | 734 - 746 MHz       | -52 dBm | 1 MHz | This requirement does not apply to BS operating in band 17.   |
|   | 704 - 716 MHz       | -49 dBm | 1 MHz | This requirement does not apply to BS operating in band 17, since it is already covered by the requirement in subclause 6.6.1.5.4. For BS operating in Band 29, it applies 1 MHz below the Band 29 downlink operating band (Note 7).                    |
| UTRA FDD Band XX or                             | 791 - 821 MHz       | -52 dBm | 1 MHz | This requirement does not apply to BS operating in band 20.   |

|                                      |                     |         |       |  |
|--------------------------------------|---------------------|---------|-------|--|
| E-UTRA Band 20                       | 832 - 862 MHz       | -49 dBm | 1 MHz | This requirement does not apply to BS operating in band 20, since it is already covered by the requirement in subclause 6.6.1.5.4.   |
| UTRA FDD Band XXII or E-UTRA Band 22 | 3510 – 3590 MHz     | -52 dBm | 1 MHz | This requirement does not apply to BS operating in band 22 or 42.  |
|                                      | 3410 – 3490 MHz     | -49 dBm | 1 MHz | This requirement does not apply to BS operating in band 22, since it is already covered by the requirement in subclause 6.6.1.5.4. This requirement does not apply to Band 42  |
| E-UTRA Band 23                       | 2180 - 2200 MHz     | -52 dBm | 1 MHz | This requirement does not apply to BS operating in band 23.  |
|                                      | 2000 - 2020 MHz     | -49 dBm | 1 MHz | This requirement does not apply to BS operating in band 23, since it is already covered by the requirement in subclause 6.6.1.5.4. This requirement does not apply to BS operating in Bands 2 or 25, where the limits are defined separately.  |
|                                      | 2000 – 2010 MHz     | -30 dBm | 1 MHz | This requirement only applies to BS operating in Band 2 or Band 25. This requirement applies starting 5 MHz above the Band 25 downlink operating band. (Note 5)  |
|                                      | 2010 – 2020 MHz     | -49 dBm | 1 MHz |  |
| E-UTRA Band 24                       | 1525 – 1559 MHz     | -52 dBm | 1 MHz | This requirement does not apply to BS operating in band 24.  |
|                                      | 1626.5 – 1660.5 MHz | -49 dBm | 1 MHz | This requirement does not apply to BS operating in band 24, since it is already covered by the requirement in subclause 6.6.1.5.4.   |
| UTRA FDD Band XXV or E-UTRA Band 25  | 1930 - 1995 MHz     | -52 dBm | 1 MHz | This requirement does not apply to BS operating in band 2 or 25.   |
|                                      | 1850 - 1915 MHz     | -49 dBm | 1 MHz | This requirement does not apply to BS operating in band 25, since it is already covered by the requirement in sub-clause 6.6.1.5.4. For BS operating in band 2, it applies for 1910 MHz to 1915 MHz, while the rest is covered in sub-clause 6.6.1.5.4.  |
| UTRA FDD Band XXVI or E-UTRA Band 26 | 859 - 894 MHz       | -52 dBm | 1 MHz | This requirement does not apply to BS operating in band 5 or 26. This requirement applies to E-UTRA BS operating in Band 27 for the frequency range 879-894 MHz.   |
|                                      | 814 - 849 MHz       | -49 dBm | 1 MHz | This requirement does not apply to BS operating in band 26, since it is already covered by the requirement in sub-clause 6.6.1.5.4. For BS operating in band 5, it applies for 814 MHz to 824 MHz, while the rest is covered in sub-clause 6.6.1.5.4. For BS operating in Band 27, it applies 3 MHz below the Band 27 downlink operating band.                                     |
| E-UTRA Band 27                       | 852 – 869 MHz       | -52 dBm | 1 MHz | This requirement does not apply to BS operating in band 5, 26 or 27.   |
|                                      | 807 – 824 MHz       | -49 dBm | 1 MHz | This requirement does not apply to BS operating in band 27, since it is already covered by the requirement in subclause 6.6.1.5.4. For BS operating in Band 26, it applies for 807 MHz to 814 MHz, while the rest is covered in sub-clause 6.6.1.5.4. This requirement also applies to BS operating in Band 28, starting 4 MHz above the Band 28 downlink operating band (Note 6). |
| E-UTRA Band 28                       | 758 - 803 MHz       | -52 dBm | 1 MHz | This requirement does not apply to BS operating in band 28 or 44.  |
|                                      | 703 - 748 MHz       | -49 dBm | 1 MHz | This requirement does not apply to BS operating in band 28, since it is already covered by the requirement in sub-clause 6.6.1.5.4. This requirement does not apply to BS operating in Band 44.  |
| E-UTRA Band 29                       | 717 – 728 MHz       | -52 dBm | 1 MHz | This requirement does not apply to BS operating in Band 29.  |
| E-UTRA Band 30                       | 2350 - 2360 MHz     | -52 dBm | 1 MHz | This requirement does not apply to BS operating in band 30 or 40.  |
|                                      | 2305 - 2315 MHz     | -49 dBm | 1 MHz | This requirement does not apply to BS operating in band 30, since it is already covered by the requirement in sub-clause 6.6.1.2. This requirement does not apply to BS operating in Band 40.  |
| E-UTRA Band 31                       | 462.5 – 467.5 MHz   | -52 dBm | 1 MHz | This requirement does not apply to BS operating in band 31.  |

|  |                   |         |       |   |
|--|-------------------|---------|-------|---|
|  | 452.5 – 457.5 MHz | -49 dBm | 1 MHz | This requirement does not apply to BS operating in band 31, since it is already covered by the requirement in sub-clause 6.6.1.5.4.     |
| UTRA FDD Band XXXII or E-UTRA Band 32  | 1452 - 1496 MHz   | -52 dBm | 1 MHz | This requirement does not apply to BS operating in band 11, 21 or 32.   |
| UTRA TDD Band a) or E-UTRA Band 33   | 1900 - 1920 MHz   | -52 dBm | 1 MHz | This requirement does not apply to BS operating in Band 33  |
| UTRA TDD Band a) or E-UTRA Band 34   | 2010 - 2025 MHz   | -52 dBm | 1 MHz | This requirement does not apply to BS operating in Band 34  |
| UTRA TDD Band b) or E-UTRA Band 35   | 1850 – 1910 MHz   | -52 dBm | 1 MHz | This requirement does not apply to BS operating in Band 35  |
| UTRA TDD Band b) or E-UTRA Band 36   | 1930 - 1990 MHz   | -52 dBm | 1 MHz | This requirement does not apply to BS operating in Band 2, 25 or 36   |
| UTRA TDD in Band c) or E-UTRA Band 37  | 1910 - 1930 MHz   | -52 dBm | 1 MHz | This is not applicable to BS operating in Band 37. This unpaired band is defined in ITU-R M.1036, but is pending any future deployment. |
| UTRA TDD Band d) or E-UTRA Band 38   | 2570 – 2620 MHz   | -52 dBm | 1 MHz | This requirement does not apply to BS operating in Band 38.   |
| UTRA TDD Band f) or E-UTRA Band 39   | 1880 – 1920MHz    | -52 dBm | 1 MHz | This is not applicable to BS operating in Band 39   |
| UTRA TDD Band e) or E-UTRA Band 40   | 2300 – 2400MHz    | -52 dBm | 1 MHz | This is not applicable to BS operating in Band 30 or 40   |
| E-UTRA Band 41   | 2496 – 2690MHz    | -52 dBm | 1 MHz | This is not applicable to BS operating in Band 41   |
| E-UTRA Band 42   | 3400 – 3600 MHz   | -52 dBm | 1 MHz | This is not applicable to BS operating in Band 42 or 43   |
| E-UTRA Band 43   | 3600 – 3800 MHz   | -52 dBm | 1 MHz | This is not applicable to BS operating in Band 42 or 43   |
| E-UTRA Band 44   | 703 - 803 MHz     | -52 dBm | 1 MHz | This is not applicable to BS operating in Band 28 or 44   |
| NOTE 5: This requirement does not apply to a Band 2 BS of an earlier release. In addition, it does not apply to an Band 2 BS from an earlier release manufactured before 31 December, 2012, which is upgraded to support Rel-10 features, where the upgrade does not affect existing RF parts of the radio unit related to this requirement. |                   |         |       |   |

NOTE 1: As defined in the scope for spurious emissions in this subclause, except for the cases where the noted requirements apply to a BS operating in Band 25 or Band 29, the co-existence requirements in Table 6.6.1.5.5-1 do not apply for the 10 MHz frequency range immediately outside the downlink operating band (see Tables 4.4-1 and 4.4-2). Emission limits for this excluded frequency range may be covered by local or regional requirements.

NOTE 2: Table 6.6.1.5.5-1 assumes that two operating bands, where the frequency ranges in Table 4.4-1 or Table 4.4-2 would be overlapping, are not deployed in the same geographical area. For such a case of operation with overlapping frequency arrangements in the same geographical area, special co-existence requirements may apply that are not covered by the 3GPP specifications.

NOTE 3: For the protection of DCS1800, UTRA Band III or E-UTRA Band 3 in China, the frequency ranges of the downlink and uplink protection requirements are 1805 – 1850 MHz and 1710 – 1755 MHz respectively.

NOTE 4: TDD base stations deployed in the same geographical area, that are synchronized and use the same or adjacent operating bands can transmit without additional co-existence requirements. For unsynchronized base stations, special co-existence requirements may apply that are not covered by the 3GPP specifications.

NOTE 6: For Band 28 BS, specific solutions may be required to fulfil the spurious emissions limits for BS for co-existence with Band 27 UL operating band.



NOTE 7: For Band 29 BS, specific solutions may be required to fulfil the spurious emissions limits for BS for co-existence with UTRA Band XII or E-UTRA Band 12 UL operating band or E-UTRA Band 17 UL operating band.

The following requirement may be applied for the protection of PHS. This requirement is also applicable at specified frequencies falling between 10 MHz below the lowest BS transmitter frequency of the downlink operating band and 10 MHz above the highest BS transmitter frequency of the downlink operating band.

The power of any spurious emission shall not exceed:

**Table 6.6.1.5.5-2: BS Spurious emissions limits for BS for co-existence with PHS**

| Frequency range                                   | Maximum Level | Measurement Bandwidth | Note  |
|---|---------------|-----------------------|---|
| 1884.5 - 1915.7 MHz                               | -41 dBm       | 300 kHz               | Applicable for co-existence with PHS system operating in 1884.5-1915.7MHz |
| NOTE: The requirement is not applicable in China. |               |                       |   |

The following requirement may apply to E-UTRA BS operating in Band 41 in certain regions. This requirement is also applicable at the frequency range from 10 MHz below the lowest frequency of the BS downlink operating band up to 10 MHz above the highest frequency of the BS downlink operating band.

The power of any spurious emission shall not exceed:

**Table 6.6.1.5.5-3: Additional BS Spurious emissions limits for Band 41**

| Frequency range  | Maximum Level | Measurement Bandwidth | Note   |
|--|---------------|-----------------------|--|
| 2505MHz – 2535MHz  | -42dBm        | 1 MHz                 |  |
| 2535MHz – 2655MHz  | -22dBm        | 1 MHz                 | Applicable at offsets $\geq 250\%$ of channel bandwidth from carrier frequency |
| NOTE: This requirement applies for 10 or 20 MHz E-UTRA carriers allocated within 2545-2575MHz or 2595-2645MHz. |               |                       |  |

In addition to the requirements in subclauses 6.6.1.5.1 to 6.6.1.5.4 and above in the present subclause, the BS may have to comply with the applicable emission limits established by FCC Title 47 [8], when deployed in regions where those limits are applied, and under the conditions declared by the manufacturer.

The following requirement may apply to BS operating in Band 30 in certain regions. This requirement is also applicable at the frequency range from 10 MHz below the lowest frequency of the BS downlink operating band up to 10 MHz above the highest frequency of the BS downlink operating band.

The power of any spurious emission shall not exceed:

**Table 6.6.1.5.5-4: Additional BS Spurious emissions limits for Band 30**

| Frequency range     | Maximum Level | Measurement Bandwidth | Note |
|---------------------|---------------|-----------------------|------|
| 2200MHz – 2345MHz   | -45dBm        | 1 MHz                 |      |
| 2362.5MHz – 2365MHz | -25dBm        | 1 MHz                 |      |
| 2365MHz – 2367.5MHz | -40dBm        | 1 MHz                 |      |
| 2367.5MHz – 2370MHz | -42dBm        | 1 MHz                 |      |
| 2370MHz – 2395MHz   | -45dBm        | 1 MHz                 |      |

#### 6.6.1.5.6 Co-location with other Base Stations

These requirements may be applied for the protection of other BS receivers when GSM900, DCS1800, PCS1900, GSM850, CDMA850, UTRA FDD, UTRA TDD and/or E-UTRA BS are co-located with a BS.

The requirements assume a 30 dB coupling loss between transmitter and receiver and are based on co-location with base stations of the same class.

The power of any spurious emission shall not exceed the limits of Table 6.6.1.5.6-1 for a BS where requirements for co-location with a BS type listed in the first column apply, depending on the declared Base Station class. For BS capable of multi-band operation, the exclusions and conditions in the Note column of Table 6.6.1.5.6-1 apply for each supported operating band. For BS capable of multi-band operation where multiple bands are mapped on separate antenna connectors, the exclusions and conditions in the Note column of Table 6.6.1.5.6-1 apply for the operating band supported at that antenna connector.

**Table 6.6.1.5.6-1: BS Spurious emissions limits for BS co-located with another BS**

| Type of co-located BS                      | Frequency range for co-location requirement | Maximum Level (WA BS) | Maximum Level (MR BS) | Maximum Level (LA BS) | Measurement Bandwidth | Note  |
|--|---|-----------------------|-----------------------|-----------------------|-----------------------|---|
| GSM900                                     | 876-915 MHz                                 | -98 dBm               | -91 dBm               | -88 dBm               | 100 kHz               |   |
| DCS1800                                    | 1710 - 1785 MHz                             | -98 dBm               | -91 dBm               | -88 dBm               | 100 kHz               |   |
| PCS1900                                    | 1850 - 1910 MHz                             | -98 dBm               | -91 dBm               | -88 dBm               | 100 kHz               |   |
| GSM850 or CDMA850                          | 824 - 849 MHz                               | -98 dBm               | -91 dBm               | -88 dBm               | 100 kHz               |   |
| UTRA FDD Band I or E-UTRA Band 1           | 1920 - 1980 MHz                             | -96 dBm               | -91 dBm               | -88 dBm               | 100 kHz               |   |
| UTRA FDD Band II or E-UTRA Band 2          | 1850 - 1910 MHz                             | -96 dBm               | -91 dBm               | -88 dBm               | 100 kHz               |   |
| UTRA FDD Band III or E-UTRA Band 3         | 1710 - 1785 MHz                             | -96 dBm               | -91 dBm               | -88 dBm               | 100 kHz               |   |
| UTRA FDD Band IV or E-UTRA Band 4          | 1710 - 1755 MHz                             | -96 dBm               | -91 dBm               | -88 dBm               | 100 kHz               |   |
| UTRA FDD Band V or E-UTRA Band 5           | 824 - 849 MHz                               | -96 dBm               | -91 dBm               | -88 dBm               | 100 kHz               |   |
| UTRA FDD Band VI, XIX or E-UTRA Band 6, 19 | 830 - 845 MHz                               | -96 dBm               | -91 dBm               | -88 dBm               | 100 kHz               |   |
| UTRA FDD Band VII or E-UTRA Band 7         | 2500 - 2570 MHz                             | -96 dBm               | -91 dBm               | -88 dBm               | 100 kHz               |   |
| UTRA FDD Band VIII or E-UTRA Band 8        | 880 - 915 MHz                               | -96 dBm               | -91 dBm               | -88 dBm               | 100 kHz               |   |
| UTRA FDD Band IX or E-UTRA Band 9          | 1749.9 - 1784.9 MHz                         | -96 dBm               | -91 dBm               | -88 dBm               | 100 kHz               |   |
| UTRA FDD Band X or E-UTRA Band 10          | 1710 - 1770 MHz                             | -96 dBm               | -91 dBm               | -88 dBm               | 100 kHz               |   |
| UTRA FDD Band XI or E-UTRA Band 11         | 1427.9 - 1447.9 MHz                         | -96 dBm               | -91 dBm               | -88 dBm               | 100 kHz               |   |
| UTRA FDD Band XII or E-UTRA Band 12        | 699 - 716 MHz                               | -96 dBm               | -91 dBm               | -88 dBm               | 100 kHz               |   |
| UTRA FDD Band XIII or E-UTRA Band 13       | 777 - 787 MHz                               | -96 dBm               | -91 dBm               | -88 dBm               | 100 kHz               |   |
| UTRA FDD Band XIV or E-UTRA Band 14        | 788 - 798 MHz                               | -96 dBm               | -91 dBm               | -88 dBm               | 100 kHz               |   |
| E-UTRA Band 17                             | 704 - 716 MHz                               | -96 dBm               | -91 dBm               | -88 dBm               | 100 kHz               |   |
| E-UTRA Band 18                             | 815 - 830 MHz                               | -96 dBm               | -91 dBm               | -88 dBm               | 100 kHz               |   |
| UTRA FDD Band XX or E-UTRA Band 20         | 832 - 862 MHz                               | -96 dBm               | -91 dBm               | -88 dBm               | 100 kHz               |   |
| UTRA FDD Band XXI or E-UTRA Band 21        | 1447.9 – 1462.9 MHz                         | -96 dBm               | -91 dBm               | -88 dBm               | 100 kHz               |   |
| UTRA FDD Band XXII or E-UTRA Band 22       | 3410 – 3490 MHz                             | -96 dBm               | -91 dBm               | -88 dBm               | 100 kHz               | This is not applicable to BS operating in Band 42 |
| E-UTRA Band 23                             | 2000 - 2020 MHz                             | -96 dBm               | -91 dBm               | -88 dBm               | 100 kHz               |   |
| E-UTRA Band 24                             | 1626.5 – 1660.5 MHz                         | -96 dBm               | -91 dBm               | -88 dBm               | 100 kHz               |   |

|                                      |                   |         |         |         |         |   |
|--------------------------------------|-------------------|---------|---------|---------|---------|---|
| UTRA FDD Band XXV or E-UTRA Band 25  | 1850 - 1915 MHz   | -96 dBm | -91 dBm | -88 dBm | 100 kHz |   |
| UTRA FDD Band XXVI or E-UTRA Band 26 | 814 - 849 MHz     | -96 dBm | -91 dBm | -88 dBm | 100 kHz |   |
| E-UTRA Band 27                       | 807 - 824 MHz     | -96 dBm | -91 dBm | -88 dBm | 100 kHz |   |
| E-UTRA Band 28                       | 703 – 748 MHz     | -96 dBm | -91 dBm | -88 dBm | 100 kHz | This is not applicable to BS operating in Band 44   |
| E-UTRA Band 30                       | 2305 - 2315 MHz   | -96 dBm | -91 dBm | -88 dBm | 100 kHz | This is not applicable to BS operating in Band 40   |
| E-UTRA Band 31                       | 452.5 – 457.5 MHz | -96 dBm | -91 dBm | -88 dBm | 100 kHz |   |
| UTRA TDD Band a) or E-UTRA Band 33   | 1900 - 1920 MHz   | -96 dBm | -91 dBm | -88 dBm | 100 kHz | This is not applicable to BS operating in Band 33   |
| UTRA TDD Band a) or E-UTRA Band 34   | 2010 - 2025 MHz   | -96 dBm | -91 dBm | -88 dBm | 100 kHz | This is not applicable to BS operating in Band 34   |
| UTRA TDD Band b) or E-UTRA Band 35   | 1850 – 1910 MHz   | -96 dBm | -91 dBm | -88 dBm | 100 kHz | This is not applicable to BS operating in Band 35   |
| UTRA TDD Band b) or E-UTRA Band 36   | 1930 - 1990 MHz   | -96 dBm | -91 dBm | -88 dBm | 100 kHz | This is not applicable to BS operating in Band 2 and 36   |
| UTRA TDD Band c) or E-UTRA Band 37   | 1910 - 1930 MHz   | -96 dBm | -91 dBm | -88 dBm | 100 kHz | This is not applicable to BS operating in Band 37. This unpaired band is defined in ITU-R M.1036, but is pending any future deployment. |
| UTRA TDD Band d) or E-UTRA Band 38   | 2570 – 2620 MHz   | -96 dBm | -91 dBm | -88 dBm | 100 kHz | This is not applicable to BS operating in Band 38.  |
| UTRA TDD Band f) or E-UTRA Band 39   | 1880 – 1920MHz    | -96 dBm | -91 dBm | -88 dBm | 100 kHz | This is not applicable to BS operating in Band 33 and 39  |

|                                    |                 |         |         |         |         |   |
|------------------------------------|-----------------|---------|---------|---------|---------|---|
| UTRA TDD Band e) or E-UTRA Band 40 | 2300 – 2400MHz  | -96 dBm | -91 dBm | -88 dBm | 100 kHz | This is not applicable to BS operating in Band 30 or 40 |
| E-UTRA Band 41                     | 2496 – 2690MHz  | -96 dBm | -91 dBm | -88 dBm | 100 kHz | This is not applicable to BS operating in Band 41       |
| E-UTRA Band 42                     | 3400 – 3600 MHz | -96 dBm | -91 dBm | -88 dBm | 100 kHz | This is not applicable to BS operating in Band 42 or 43 |
| E-UTRA Band 43                     | 3600 – 3800 MHz | -96 dBm | -91 dBm | -88 dBm | 100 kHz | This is not applicable to BS operating in Band 42 or 43 |
| E-UTRA Band 44                     | 703 – 803 MHz   | -96 dBm | -91 dBm | -88 dBm | 100 kHz | This is not applicable to BS operating in Band 28 or 44 |

NOTE 1: As defined in the scope for spurious emissions in this subclause, the co-location requirements in Table 6.6.1.5.6-1 do not apply for the 10 MHz frequency range immediately outside the BS transmit frequency range of a downlink operating band (see Tables 4.4-1 and 4.4-2). The current state-of-the-art technology does not allow a single generic solution for co-location with other system on adjacent frequencies for 30 dB BS-BS minimum coupling loss. However, there are certain site-engineering solutions that can be used. These techniques are addressed in TR 25.942 [14].

NOTE 2: Table 6.6.1.5.6-1 assumes that two operating bands, where the corresponding BS transmit and receive frequency ranges in Table 4.4-1 or Table 4.4-2 would be overlapping, are not deployed in the same geographical area. For such a case of operation with overlapping frequency arrangements in the same geographical area, special co-location requirements may apply that are not covered by the 3GPP specifications.

NOTE 3: Co-located TDD Base Stations that are synchronized and using the same or adjacent operating band can transmit without special co-locations requirements. For unsynchronized Base Stations, special co-location requirements may apply that are not covered by the 3GPP specifications.

## 6.6.2 Operating band unwanted emissions

### 6.6.2.1 Definition and applicability

The Operating band unwanted emission limits are defined from 10 MHz below the lowest frequency of each supported downlink operating band to the lower RF bandwidth edge located at  $F_{BW\text{ RF,low}}$  and from the upper RF bandwidth edge located at  $F_{BW\text{ RF,high}}$  up to 10 MHz above the highest frequency of each supported downlink operating band. In addition, for a BS operating in non-contiguous spectrum, it applies inside any sub-block gap. In addition, for a BS operating in multiple bands, it applies inside any inter RF bandwidth gap.

The requirements shall apply whatever the type of transmitter considered and for all transmission modes foreseen by the manufacturer's specification, except for any operating band with GSM/EDGE single RAT operation. The requirements in TS 45.005 [6] as defined in subclause 6.6.2.3 apply to an MSR Base Station for any operating band with GSM/EDGE single RAT operation in Band Category 2.

For BS capable of multi-band operation where multiple bands are mapped on separate antenna connectors, the single-band requirements apply and the cumulative evaluation of the emission limit in the inter-RF bandwidth gap are not applicable.

### 6.6.2.2 Minimum requirement

The minimum requirement is in TS 37.104 [2] subclause 6.6.2.1, 6.6.2.2, 6.6.2.3 and 6.6.2.4.

### 6.6.2.3 Test purpose

This test measures the emissions of the MSR BS, close to the assigned channel bandwidth of the wanted signal, while the transmitter is in operation.

### 6.6.2.4 Method of test

For some of the test cases Tables 5.1-1 and 5.2-1 refer to single-RAT specifications; see clause 5. In this case the following shall apply:

- For references to TS 25.141 [10], the method of test is specified in TS 25.141 [10], subclause 6.5.2.1.4.
- For references to TS 25.142 [12], the method of test is specified in TS 25.142 [12], subclause 6.6.2.1.4.
- For references to TS 36.141 [9], the method of test is specified in TS 36.141 [9], subclause 6.6.3.4.

NOTE: In this case the test requirements of the present document defined in subclause 6.6.2.5 apply.

For GSM/EDGE single-RAT requirements, the method of test is specified in TS 51.021 [11], applicable parts of subclause 6.5.1, 6.5.2, 6.6.2 and 6.12.

For test requirements of operating band unwanted emissions using the MSR test configurations defined in subclause 4.8, the, method of test described in subclauses 6.6.2.4.1 and 6.6.2.4.2 applies.

#### 6.6.2.4.1 Initial conditions

Test environment: normal; see Annex B.2.

RF bandwidth positions to be tested:  $B_{\text{RFBW}}$ ,  $M_{\text{RFBW}}$  and  $T_{\text{RFBW}}$  in single-band operation, see subclause 4.9.1;  $B_{\text{RFBW}_T}$  and  $B''_{\text{RFBW}_T}$  in multi-band operation, see subclause 4.9.1.

- 1) Connect the signal analyzer to the Base Station antenna connector as shown in Annex D.1.1.

As a general rule, the resolution bandwidth of the measuring equipment should be equal to the measurement bandwidth. However, to improve measurement accuracy, sensitivity, efficiency and to avoid e.g. carrier leakage, the resolution bandwidth may be smaller than the measurement bandwidth. When the resolution bandwidth is smaller than the measurement bandwidth, the result should be integrated over the measurement bandwidth in order to obtain the equivalent noise bandwidth of the measurement bandwidth.

- 2) Detection mode: True RMS.

#### 6.6.2.4.2 Procedure

- 1) Set the Base Station to transmit at maximum power according to the applicable test configuration in clause 5 using the corresponding test models or set of physical channels in subclause 4.9.2.
- 2) Step the centre frequency of the measurement filter in contiguous steps and measure the emission within the specified frequency ranges with the specified measurement bandwidth.
- 3) Repeat the test for the remaining test cases with channel set-up according to clause 5 and subclause 4.9.2.

In addition, for a multi-band capable BS, the following steps shall apply:

- 4) For multi-band capable BS and single band tests, repeat the steps above per involved band where single band test configurations and test models shall apply with no carrier activated in the other band.

- 5) For multi-band capable BS with separate antenna connector, the antenna connector not being under test in case of SBT or MBT shall be terminated.

## 6.6.2.5 Test requirement

### 6.6.2.5.1 Test requirements for Band Categories 1 and 3

For a Wide Area BS operating in Band Category 1 or Band Category 3, the requirement applies outside the RF bandwidth edges. In addition, for a Wide Area BS operating in non-contiguous spectrum, it applies inside any sub-block gap. In addition, for a Wide Area BS operating in multiple bands, it applies inside any inter RF bandwidth gap.

For a Medium Range BS operating in Band Category 1 the requirement applies outside the RF bandwidth edges. In addition, for a Medium Range BS operating in non-contiguous spectrum, it applies inside any sub-block gap. In addition, for a Medium Range BS operating in multiple bands, it applies inside any inter RF bandwidth gap.

For a Local Area BS operating in Band Category 1 the requirement applies outside the RF bandwidth edges. In addition, for a Local Area BS operating in non-contiguous spectrum, it applies inside any sub-block gap. In addition, for a Local Area BS operating in multiple bands, it applies inside any inter RF bandwidth gap.

Outside the RF bandwidth edges, emissions shall not exceed the maximum levels specified in Tables 6.6.2.5.1-1 to 6.6.2.5.1-4 below, where:

- $\Delta f$  is the separation between the RF bandwidth edge frequency and the nominal -3 dB point of the measuring filter closest to the carrier frequency.
- $f_{\text{offset}}$  is the separation between the RF bandwidth edge frequency and the centre of the measuring filter.
- $f_{\text{offset}_{\text{max}}}$  is the offset to the frequency 10 MHz outside the downlink operating band.
- $\Delta f_{\text{max}}$  is equal to  $f_{\text{offset}_{\text{max}}}$  minus half of the bandwidth of the measuring filter.

For a BS operating in multiple bands, inside any inter-RF bandwidth gaps with  $W_{\text{gap}} < 20$  MHz, emissions shall not exceed the cumulative sum of the test requirements specified at the RF bandwidth edges on each side of the inter-RF bandwidth gap. The test requirement for RF bandwidth edge is specified in Table 6.6.2.5.1-1 to 6.6.2.5.1-4 below, where in this case:

- $\Delta f$  is the separation between the RF bandwidth edge frequency and the nominal -3 dB point of the measuring filter closest to the carrier frequency.
- $f_{\text{offset}}$  is the separation between the RF bandwidth edge frequency and the centre of the measuring filter.
- $f_{\text{offset}_{\text{max}}}$  is equal to the inter RF bandwidth gap divided by two.
- $\Delta f_{\text{max}}$  is equal to  $f_{\text{offset}_{\text{max}}}$  minus half of the bandwidth of the measuring filter.

Inside any sub-block gap for a BS operating in non-contiguous spectrum, emissions shall not exceed the cumulative sum of the test requirements specified for the adjacent sub blocks on each side of the sub block gap. The test requirement for each sub block is specified in Tables 6.6.2.5.1-1 to 6.6.2.5.1-4 below, where in this case:

- $\Delta f$  is the separation between the sub block edge frequency and the nominal -3 dB point of the measuring filter closest to the sub block edge frequency.
- $f_{\text{offset}}$  is the separation between the sub block edge frequency and the centre of the measuring filter.
- $f_{\text{offset}_{\text{max}}}$  is equal to the sub block gap bandwidth divided by two.
- $\Delta f_{\text{max}}$  is equal to  $f_{\text{offset}_{\text{max}}}$  minus half of the bandwidth of the measuring filter.

**Table 6.6.2.5.1-1: Wide Area BS operating band unwanted emission mask (UEM) for BC1 and BC3 bands ≤ 3GHz**

| Frequency offset of measurement filter -3dB point, $\Delta f$  | Frequency offset of measurement filter centre frequency, $f_{\text{offset}}$                      | Test requirement (Note 1, 2)  | Measurement bandwidth (Note 4) |
|--|---|---|--------------------------------|
| $0 \text{ MHz} \leq \Delta f < 0.2 \text{ MHz}$  | $0.015 \text{ MHz} \leq f_{\text{offset}} < 0.215 \text{ MHz}$                                    | -12.5 dBm   | 30 kHz                         |
| $0.2 \text{ MHz} \leq \Delta f < 1 \text{ MHz}$  | $0.215 \text{ MHz} \leq f_{\text{offset}} < 1.015 \text{ MHz}$                                    | $-12.5 \text{ dBm} - 15 \cdot \left( \frac{f_{\text{offset}}}{\text{MHz}} - 0.215 \right) \text{ dB}$ | 30 kHz                         |
| (Note 3)   | $1.015 \text{ MHz} \leq f_{\text{offset}} < 1.5 \text{ MHz}$                                      | -24.5 dBm   | 30 kHz                         |
| $1 \text{ MHz} \leq \Delta f \leq \min(\Delta f_{\text{max}}, 10 \text{ MHz})$   | $1.5 \text{ MHz} \leq f_{\text{offset}} < \min(f_{\text{offset}_{\text{max}}}, 10.5 \text{ MHz})$ | -11.5 dBm   | 1 MHz                          |
| $10 \text{ MHz} \leq \Delta f \leq \Delta f_{\text{max}}$  | $10.5 \text{ MHz} \leq f_{\text{offset}} < f_{\text{offset}_{\text{max}}}$                        | -15 dBm (Note 5)  | 1 MHz                          |
| NOTE 1: For MSR BS supporting non-contiguous spectrum operation within any operating band the test requirement within sub-block gaps is calculated as a cumulative sum of contributions from adjacent sub blocks on each side of the sub block gap. Exception is $\Delta f \geq 10 \text{ MHz}$ from both adjacent sub blocks on each side of the sub-block gap, where the test requirement within sub-block gaps shall be -15dBm/MHz. |   |   |                                |
| NOTE2: For MSR BS supporting multi-band operation with inter RF bandwidth gap < 20MHz the test requirement within the inter RF bandwidth gaps is calculated as a cumulative sum of contributions from adjacent sub-blocks on each side of the inter RF bandwidth gap.  |   |   |                                |

**Table 6.6.2.5.1-1a: Wide Area BS operating band unwanted emission mask (UEM) for BC1 and BC3 for bands > 3GHz**

| Frequency offset of measurement filter -3dB point, $\Delta f$  | Frequency offset of measurement filter centre frequency, $f_{\text{offset}}$                      | Test requirement (Note 1, 2)  | Measurement bandwidth (Note 4) |
|--|---|---|--------------------------------|
| $0 \text{ MHz} \leq \Delta f < 0.2 \text{ MHz}$  | $0.015 \text{ MHz} \leq f_{\text{offset}} < 0.215 \text{ MHz}$                                    | -12.2 dBm   | 30 kHz                         |
| $0.2 \text{ MHz} \leq \Delta f < 1 \text{ MHz}$  | $0.215 \text{ MHz} \leq f_{\text{offset}} < 1.015 \text{ MHz}$                                    | $-12.2 \text{ dBm} - 15 \cdot \left( \frac{f_{\text{offset}}}{\text{MHz}} - 0.215 \right) \text{ dB}$ | 30 kHz                         |
| (Note 3)   | $1.015 \text{ MHz} \leq f_{\text{offset}} < 1.5 \text{ MHz}$                                      | -24.2 dBm   | 30 kHz                         |
| $1 \text{ MHz} \leq \Delta f \leq \min(\Delta f_{\text{max}}, 10 \text{ MHz})$   | $1.5 \text{ MHz} \leq f_{\text{offset}} < \min(f_{\text{offset}_{\text{max}}}, 10.5 \text{ MHz})$ | -11.2 dBm   | 1 MHz                          |
| $10 \text{ MHz} \leq \Delta f \leq \Delta f_{\text{max}}$  | $10.5 \text{ MHz} \leq f_{\text{offset}} < f_{\text{offset}_{\text{max}}}$                        | -15 dBm (Note 5)  | 1 MHz                          |
| NOTE 1: For MSR BS supporting non-contiguous spectrum operation within any operating band the test requirement within sub-block gaps is calculated as a cumulative sum of contributions from adjacent sub blocks on each side of the sub block gap. Exception is $\Delta f \geq 10 \text{ MHz}$ from both adjacent sub blocks on each side of the sub-block gap, where the test requirement within sub-block gaps shall be -15dBm/MHz. |   |   |                                |
| NOTE2: For MSR BS supporting multi-band operation with inter RF bandwidth gap < 20MHz the test requirement within the inter RF bandwidth gaps is calculated as a cumulative sum of contributions from adjacent sub-blocks on each side of the inter RF bandwidth gap.  |   |   |                                |

**Table 6.6.2.5.1-2: Medium Range BS operating band unwanted emission mask (UEM) for BC1 for bands ≤ 3GHz, BS maximum output power  $31 < P \leq 38 \text{ dBm}$** 

| Frequency offset of measurement filter -3dB point, $\Delta f$                  | Frequency offset of measurement filter centre frequency, $f_{\text{offset}}$                      | Test requirement (Note 1, 2)   | Measurement bandwidth (Note 4) |
|--|---|--|--------------------------------|
| $0 \text{ MHz} \leq \Delta f < 0.6 \text{ MHz}$                                | $0.015 \text{ MHz} \leq f_{\text{offset}} < 0.615 \text{ MHz}$                                    | $P - 56.5 \text{ dB} - \frac{7}{5} \left( \frac{f_{\text{offset}}}{\text{MHz}} - 0.015 \right) \text{ dB}$ | 30 kHz                         |
| $0.6 \text{ MHz} \leq \Delta f < 1 \text{ MHz}$                                | $0.615 \text{ MHz} \leq f_{\text{offset}} < 1.015 \text{ MHz}$                                    | $P - 51.5 \text{ dB} - 15 \cdot \left( \frac{f_{\text{offset}}}{\text{MHz}} - 0.215 \right) \text{ dB}$    | 30 kHz                         |
| (Note 3)   | $1.015 \text{ MHz} \leq f_{\text{offset}} < 1.5 \text{ MHz}$                                      | $P - 63.5 \text{ dB}$  | 30 kHz                         |
| $1 \text{ MHz} \leq \Delta f \leq 2.6 \text{ MHz}$                             | $1.5 \text{ MHz} \leq f_{\text{offset}} < 3.1 \text{ MHz}$  | $P - 50.5 \text{ dB}$  | 1 MHz                          |
| $2.6 \text{ MHz} \leq \Delta f \leq 5 \text{ MHz}$                             | $3.1 \text{ MHz} \leq f_{\text{offset}} < 5.5 \text{ MHz}$  | $\min(P - 50.5 \text{ dB}, -13.5 \text{ dBm})$   | 1 MHz                          |
| $5 \text{ MHz} \leq \Delta f \leq \min(\Delta f_{\text{max}}, 10 \text{ MHz})$ | $5.5 \text{ MHz} \leq f_{\text{offset}} < \min(f_{\text{offset}_{\text{max}}}, 10.5 \text{ MHz})$ | $P - 54.5 \text{ dB}$  | 1 MHz                          |



| $10 \text{ MHz} \leq \Delta f \leq \Delta f_{\text{max}}$   | $10.5 \text{ MHz} \leq f_{\text{offset}} < f_{\text{offset}_{\text{max}}}$ | P-56dB (Note 5) | 1MHz |
|---|--|-----------------|------|
| <p>NOTE 1: For MSR BS supporting non-contiguous spectrum operation within any operating band the test requirement within sub-block gaps is calculated as a cumulative sum of contributions from adjacent sub blocks on each side of the sub block gap. Exception is <math>\Delta f \geq 10\text{MHz}</math> from both adjacent sub blocks on each side of the sub-block gap, where the test requirement within sub-block gaps shall be <math>(P - 56 \text{ dB})/\text{MHz}</math>.</p> <p>NOTE2: For MSR BS supporting multi-band operation with inter RF bandwidth gap <math>&lt; 20\text{MHz}</math> the test requirement within the inter RF bandwidth gaps is calculated as a cumulative sum of contributions from adjacent sub-blocks on each side of the inter RF bandwidth gap.</p> |  |                 |      |

**Table 6.6.2.5.1-2a: Medium Range BS operating band unwanted emission mask (UEM) for BC1 for bands > 3GHz, BS maximum output power  $31 < P \leq 38$  dBm**

| Frequency offset of measurement filter -3dB point, $\Delta f$   | Frequency offset of measurement filter centre frequency, $f_{\text{offset}}$                      | Test requirement (Note 1, 2)   | Measurement bandwidth (Note 4) |
|---|---|--|--------------------------------|
| $0 \text{ MHz} \leq \Delta f < 0.6 \text{ MHz}$   | $0.015 \text{ MHz} \leq f_{\text{offset}} < 0.615 \text{ MHz}$                                    | $P - 56.2 \text{ dB} - \frac{7}{5} \left( \frac{f_{\text{offset}}}{\text{MHz}} - 0.015 \right) \text{ dB}$ | 30 kHz                         |
| $0.6 \text{ MHz} \leq \Delta f < 1 \text{ MHz}$   | $0.615 \text{ MHz} \leq f_{\text{offset}} < 1.015 \text{ MHz}$                                    | $P - 51.2 \text{ dB} - 15 \cdot \left( \frac{f_{\text{offset}}}{\text{MHz}} - 0.215 \right) \text{ dB}$    | 30 kHz                         |
| (Note 3)  | $1.015 \text{ MHz} \leq f_{\text{offset}} < 1.5 \text{ MHz}$                                      | $P - 63.2 \text{ dB}$  | 30 kHz                         |
| $1 \text{ MHz} \leq \Delta f \leq 2.6 \text{ MHz}$  | $1.5 \text{ MHz} \leq f_{\text{offset}} < 3.1 \text{ MHz}$  | $P - 50.2 \text{ dB}$  | 1 MHz                          |
| $2.6 \text{ MHz} \leq \Delta f \leq 5 \text{ MHz}$  | $3.1 \text{ MHz} \leq f_{\text{offset}} < 5.5 \text{ MHz}$  | $\min(P - 50.2 \text{ dB}, -13.2 \text{ dBm})$   | 1 MHz                          |
| $5 \text{ MHz} \leq \Delta f \leq \min(\Delta f_{\text{max}}, 10 \text{ MHz})$  | $5.5 \text{ MHz} \leq f_{\text{offset}} < \min(f_{\text{offset}_{\text{max}}}, 10.5 \text{ MHz})$ | $P - 54.2 \text{ dB}$  | 1 MHz                          |
| $10 \text{ MHz} \leq \Delta f \leq \Delta f_{\text{max}}$   | $10.5 \text{ MHz} \leq f_{\text{offset}} < f_{\text{offset}_{\text{max}}}$                        | $P - 56 \text{ dB}$ (Note 5)   | 1 MHz                          |
| <p>NOTE 1: For MSR BS supporting non-contiguous spectrum operation within any operating band the test requirement within sub-block gaps is calculated as a cumulative sum of contributions from adjacent sub blocks on each side of the sub block gap. Exception is <math>\Delta f \geq 10 \text{ MHz}</math> from both adjacent sub blocks on each side of the sub-block gap, where the test requirement within sub-block gaps shall be <math>(P - 56 \text{ dB})/\text{MHz}</math>.</p> <p>NOTE2: For MSR BS supporting multi-band operation with inter RF bandwidth gap &lt; 20MHz the test requirement within the inter RF bandwidth gaps is calculated as a cumulative sum of contributions from adjacent sub-blocks on each side of the inter RF bandwidth gap.</p> |   |  |                                |

**Table 6.6.2.5.1-3: Medium Range BS operating band unwanted emission mask (UEM) for BC1 for bands  $\leq 3$ GHz, BS maximum output power  $P \leq 31$  dBm**

| Frequency offset of measurement filter -3dB point, $\Delta f$   | Frequency offset of measurement filter centre frequency, $f_{\text{offset}}$                      | Test requirement (Note 1, 2)   | Measurement bandwidth (Note 4) |
|---|---|--|--------------------------------|
| $0 \text{ MHz} \leq \Delta f < 0.6 \text{ MHz}$   | $0.015 \text{ MHz} \leq f_{\text{offset}} < 0.615 \text{ MHz}$                                    | $-25.5 \text{ dBm} - \frac{7}{5} \left( \frac{f_{\text{offset}}}{\text{MHz}} - 0.015 \right) \text{ dB}$ | 30 kHz                         |
| $0.6 \text{ MHz} \leq \Delta f < 1 \text{ MHz}$   | $0.615 \text{ MHz} \leq f_{\text{offset}} < 1.015 \text{ MHz}$                                    | $-20.5 \text{ dBm} - 15 \cdot \left( \frac{f_{\text{offset}}}{\text{MHz}} - 0.215 \right) \text{ dB}$    | 30 kHz                         |
| (Note 3)  | $1.015 \text{ MHz} \leq f_{\text{offset}} < 1.5 \text{ MHz}$                                      | $-32.5 \text{ dBm}$  | 30 kHz                         |
| $1 \text{ MHz} \leq \Delta f \leq 5 \text{ MHz}$  | $1.5 \text{ MHz} \leq f_{\text{offset}} < 5.5 \text{ MHz}$  | $-19.5 \text{ dBm}$  | 1 MHz                          |
| $5 \text{ MHz} \leq \Delta f \leq \min(\Delta f_{\text{max}}, 10 \text{ MHz})$  | $5.5 \text{ MHz} \leq f_{\text{offset}} < \min(f_{\text{offset}_{\text{max}}}, 10.5 \text{ MHz})$ | $-23.5 \text{ dBm}$  | 1 MHz                          |
| $10 \text{ MHz} \leq \Delta f \leq \Delta f_{\text{max}}$   | $10.5 \text{ MHz} \leq f_{\text{offset}} < f_{\text{offset}_{\text{max}}}$                        | $-25 \text{ dBm}$ (Note 5)   | 1 MHz                          |
| <p>NOTE 1: For MSR BS supporting non-contiguous spectrum operation within any operating band the test requirement within sub-block gaps is calculated as a cumulative sum of contributions from adjacent sub blocks on each side of the sub block gap. Exception is <math>\Delta f \geq 10 \text{ MHz}</math> from both adjacent sub blocks on each side of the sub-block gap, where the test requirement within sub-block gaps shall be <math>-25 \text{ dBm}/\text{MHz}</math>.</p> <p>NOTE2: For MSR BS supporting multi-band operation with inter RF bandwidth gap &lt; 20MHz the test requirement within the inter RF bandwidth gaps is calculated as a cumulative sum of contributions from adjacent sub-blocks on each side of the inter RF bandwidth gap.</p> |   |  |                                |

**Table 6.6.2.5.1-3a: Medium Range BS operating band unwanted emission mask (UEM) for BC1 for bands > 3GHz, BS maximum output power  $P \leq 31$  dBm**

| Frequency offset of measurement filter -3dB point, $\Delta f$ | Frequency offset of measurement filter centre frequency, $f_{\text{offset}}$ | Test requirement (Note 1, 2)   | Measurement bandwidth (Note 4) |
|---|--|--|--------------------------------|
| $0 \text{ MHz} \leq \Delta f < 0.6 \text{ MHz}$               | $0.015 \text{ MHz} \leq f_{\text{offset}} < 0.615 \text{ MHz}$               | $-25.2 \text{ dBm} - \frac{7}{5} \left( \frac{f_{\text{offset}}}{\text{MHz}} - 0.015 \right) \text{ dB}$ | 30 kHz                         |

|  |   |   |        |
|--|---|---|--------|
| $0.6 \text{ MHz} \leq \Delta f < 1 \text{ MHz}$  | $0.615 \text{ MHz} \leq f_{\text{offset}} < 1.015 \text{ MHz}$                                    | $-20.2 \text{ dBm} - 15 \cdot \left( \frac{f_{\text{offset}}}{\text{MHz}} - 0.215 \right) \text{ dB}$ | 30 kHz |
| (Note 3)   | $1.015 \text{ MHz} \leq f_{\text{offset}} < 1.5 \text{ MHz}$                                      | -32.2 dBm   | 30 kHz |
| $1 \text{ MHz} \leq \Delta f \leq 5 \text{ MHz}$   | $1.5 \text{ MHz} \leq f_{\text{offset}} < 5.5 \text{ MHz}$  | -19.2 dBm   | 1 MHz  |
| $5 \text{ MHz} \leq \Delta f \leq \min(\Delta f_{\text{max}}, 10 \text{ MHz})$   | $5.5 \text{ MHz} \leq f_{\text{offset}} < \min(f_{\text{offset}_{\text{max}}}, 10.5 \text{ MHz})$ | -23.2 dBm   | 1 MHz  |
| $10 \text{ MHz} \leq \Delta f \leq \Delta f_{\text{max}}$  | $10.5 \text{ MHz} \leq f_{\text{offset}} < f_{\text{offset}_{\text{max}}}$                        | -25 dBm (Note 5)  | 1 MHz  |
| NOTE 1: For MSR BS supporting non-contiguous spectrum operation within any operating band the test requirement within sub-block gaps is calculated as a cumulative sum of contributions from adjacent sub blocks on each side of the sub block gap. Exception is $\Delta f \geq 10 \text{ MHz}$ from both adjacent sub blocks on each side of the sub-block gap, where the test requirement within sub-block gaps shall be -25dBm/MHz. |   |   |        |
| NOTE2: For MSR BS supporting multi-band operation with inter RF bandwidth gap < 20MHz the test requirement within the inter RF bandwidth gaps is calculated as a cumulative sum of contributions from adjacent sub-blocks on each side of the inter RF bandwidth gap.  |   |   |        |

**Table 6.6.2.5.1-4: Local Area operating band unwanted emission mask (UEM) for BC1 for bands  $\leq 3 \text{ GHz}$**

| Frequency offset of measurement filter -3dB point, $\Delta f$  | Frequency offset of measurement filter centre frequency, $f_{\text{offset}}$                        | Test requirement (Note 1, 2)  | Measurement bandwidth (Note 4) |
|--|---|---|--------------------------------|
| $0 \text{ MHz} \leq \Delta f < 5 \text{ MHz}$  | $0.05 \text{ MHz} \leq f_{\text{offset}} < 5.05 \text{ MHz}$  | $-28.5 \text{ dBm} - \frac{7}{5} \left( \frac{f_{\text{offset}}}{\text{MHz}} - 0.05 \right) \text{ dB}$ | 100 kHz                        |
| $5 \text{ MHz} \leq \Delta f < \min(10 \text{ MHz}, \Delta f_{\text{max}})$  | $5.05 \text{ MHz} \leq f_{\text{offset}} < \min(10.05 \text{ MHz}, f_{\text{offset}_{\text{max}}})$ | -35.5 dBm   | 100 kHz                        |
| $10 \text{ MHz} \leq \Delta f \leq \Delta f_{\text{max}}$  | $10.05 \text{ MHz} \leq f_{\text{offset}} < f_{\text{offset}_{\text{max}}}$                         | -37 dBm (Note 5)  | 100 kHz                        |
| NOTE 1: For MSR BS supporting non-contiguous spectrum operation within any operating band the test requirement within sub-block gaps is calculated as a cumulative sum of contributions from adjacent sub blocks on each side of the sub block gap. Exception is $\Delta f \geq 10 \text{ MHz}$ from both adjacent sub blocks on each side of the sub-block gap, where the test requirement within sub-block gaps shall be -37dBm/100 kHz. |   |   |                                |
| NOTE2: For MSR BS supporting multi-band operation with inter RF bandwidth gap < 20MHz the test requirement within the inter RF bandwidth gaps is calculated as a cumulative sum of contributions from adjacent sub-blocks on each side of the inter RF bandwidth gap.  |   |   |                                |

**Table 6.6.2.5.1-4a: Local Area operating band unwanted emission mask (UEM) for BC1 for bands > 3GHz**

| Frequency offset of measurement filter -3dB point, $\Delta f$  | Frequency offset of measurement filter centre frequency, $f_{\text{offset}}$                        | Test requirement (Note 1, 2)  | Measurement bandwidth (Note 4) |
|--|---|---|--------------------------------|
| $0 \text{ MHz} \leq \Delta f < 5 \text{ MHz}$  | $0.05 \text{ MHz} \leq f_{\text{offset}} < 5.05 \text{ MHz}$  | $-28.2 \text{ dBm} - \frac{7}{5} \left( \frac{f_{\text{offset}}}{\text{MHz}} - 0.05 \right) \text{ dB}$ | 100 kHz                        |
| $5 \text{ MHz} \leq \Delta f < \min(10 \text{ MHz}, \Delta f_{\text{max}})$  | $5.05 \text{ MHz} \leq f_{\text{offset}} < \min(10.05 \text{ MHz}, f_{\text{offset}_{\text{max}}})$ | -35.2 dBm   | 100 kHz                        |
| $10 \text{ MHz} \leq \Delta f \leq \Delta f_{\text{max}}$  | $10.05 \text{ MHz} \leq f_{\text{offset}} < f_{\text{offset}_{\text{max}}}$                         | -37 dBm (Note 5)  | 100 kHz                        |
| NOTE 1: For MSR BS supporting non-contiguous spectrum operation within any operating band the test requirement within sub-block gaps is calculated as a cumulative sum of contributions from adjacent sub blocks on each side of the sub block gap. Exception is $\Delta f \geq 10 \text{ MHz}$ from both adjacent sub blocks on each side of the sub-block gap, where the test requirement within sub-block gaps shall be -37dBm/100 kHz. |   |   |                                |
| NOTE2: For MSR BS supporting multi-band operation with inter RF bandwidth gap < 20MHz the test requirement within the inter RF bandwidth gaps is calculated as a cumulative sum of contributions from adjacent sub-blocks on each side of the inter RF bandwidth gap.  |   |   |                                |

NOTE 3: This frequency range ensures that the range of values of  $f_{\text{offset}}$  is continuous.

NOTE 4: As a general rule for the requirements in the present subclause, the resolution bandwidth of the measuring equipment should be equal to the measurement bandwidth. However, to improve measurement accuracy, sensitivity and efficiency, the resolution bandwidth may be smaller than the measurement bandwidth. When the resolution bandwidth is smaller than the measurement bandwidth, the result should be integrated over the measurement bandwidth in order to obtain the equivalent noise bandwidth of the measurement bandwidth.

NOTE 5: The requirement is not applicable when  $\Delta f_{\max} < 10$  MHz.

#### 6.6.2.5.2 Test requirements for Band Category 2

For a BS operating in Band Category 2 the requirement applies outside the RF bandwidth edges. In addition, for a BS operating in non-contiguous spectrum, it applies inside any sub-block gap.

Outside the RF bandwidth edges, emissions shall not exceed the maximum levels specified in Table 6.6.2.5.2-1 to 6.6.2.5.2-8 below, where:

- $\Delta f$  is the separation between the RF bandwidth edge frequency and the nominal -3dB point of the measuring filter closest to the carrier frequency.
- $f_{\text{offset}}$  is the separation between the RF bandwidth edge frequency and the centre of the measuring filter.
- $f_{\text{offset}_{\max}}$  is the offset to the frequency 10 MHz outside the downlink operating band.
- $\Delta f_{\max}$  is equal to  $f_{\text{offset}_{\max}}$  minus half of the bandwidth of the measuring filter.

For a BS operating in multiple bands, inside any inter-RF bandwidth gaps with  $W_{\text{gap}} < 20$  MHz, emissions shall not exceed the cumulative sum of the test requirements specified at the RF bandwidth edges on each side of the inter-RF bandwidth gap. The test requirement for RF bandwidth edge is specified in Table 6.6.2.5.2-1 to 6.6.2.5.2-8 below, where in this case:

- $\Delta f$  is the separation between the RF bandwidth edge frequency and the nominal -3 dB point of the measuring filter closest to the carrier frequency.
- $f_{\text{offset}}$  is the separation between the RF bandwidth edge frequency and the centre of the measuring filter.
- $f_{\text{offset}_{\max}}$  is equal to the inter RF bandwidth gap divided by two.
- $\Delta f_{\max}$  is equal to  $f_{\text{offset}_{\max}}$  minus half of the bandwidth of the measuring filter.

Inside any sub-block gap for a BS operating in non-contiguous spectrum, emissions shall not exceed the cumulative sum of the test requirement specified for the adjacent sub blocks on each side of the sub block gap. The test requirement for each sub block is specified in Tables 6.6.2.5.2-1 to 6.6.2.5.2-8 below, where in this case:

- $\Delta f$  is the separation between the sub block edge frequency and the nominal -3 dB point of the measuring filter closest to the sub block edge.
- $f_{\text{offset}}$  is the separation between the sub block edge frequency and the centre of the measuring filter.
- $f_{\text{offset}_{\max}}$  is equal to the sub block gap bandwidth divided by two.
- $\Delta f_{\max}$  is equal to  $f_{\text{offset}_{\max}}$  minus half of the bandwidth of the measuring filter.

Table 6.6.2.5.2-1: Wide Area BS operating band unwanted emission mask (UEM) for BC2

| Frequency offset of measurement filter -3dB point, $\Delta f$  | Frequency offset of measurement filter centre frequency, $f_{\text{offset}}$                      | Test requirement (Note 2, 3)  | Measurement bandwidth (Note 9) |
|--|---|---|--------------------------------|
| $0 \text{ MHz} \leq \Delta f < 0.2 \text{ MHz}$<br>(Note 1)  | $0.015 \text{ MHz} \leq f_{\text{offset}} < 0.215 \text{ MHz}$                                    | -12.5 dBm   | 30 kHz                         |
| $0.2 \text{ MHz} \leq \Delta f < 1 \text{ MHz}$  | $0.215 \text{ MHz} \leq f_{\text{offset}} < 1.015 \text{ MHz}$                                    | $-12.5 \text{ dBm} - 15 \cdot \left( \frac{f_{\text{offset}}}{\text{MHz}} - 0.215 \right) \text{ dB}$ | 30 kHz                         |
| (Note 8)   | $1.015 \text{ MHz} \leq f_{\text{offset}} < 1.5 \text{ MHz}$                                      | -24.5 dBm   | 30 kHz                         |
| $1 \text{ MHz} \leq \Delta f \leq \min(\Delta f_{\text{max}}, 10 \text{ MHz})$   | $1.5 \text{ MHz} \leq f_{\text{offset}} < \min(f_{\text{offset}_{\text{max}}}, 10.5 \text{ MHz})$ | -11.5 dBm   | 1 MHz                          |
| $10 \text{ MHz} \leq \Delta f \leq \Delta f_{\text{max}}$  | $10.5 \text{ MHz} \leq f_{\text{offset}} < f_{\text{offset}_{\text{max}}}$                        | -15 dBm (Note 10)   | 1 MHz                          |
| <p>NOTE 1: For operation with a GSM/EDGE or an E-UTRA 1.4 or 3 MHz carrier adjacent to the RF bandwidth edge, the limits in Table 6.6.2.5-2 apply for <math>0 \text{ MHz} \leq \Delta f &lt; 0.15 \text{ MHz}</math>.</p> <p>NOTE 2: For MSR BS supporting non-contiguous spectrum operation within any operating band the test requirement within sub-block gaps is calculated as a cumulative sum of contributions from adjacent sub blocks on each side of the sub block gap. Exception is <math>\Delta f \geq 10 \text{ MHz}</math> from both adjacent sub blocks on each side of the sub-block gap, where the test requirement within sub-block gaps shall be -15dBm/MHz.</p> <p>NOTE3: For MSR BS supporting multi-band operation with inter RF bandwidth gap &lt; 20MHz operation the test requirement within the inter RF bandwidth gaps is calculated as a cumulative sum of contributions from adjacent sub-blocks on each side of the inter RF bandwidth gap.</p> |   |   |                                |

Table 6.6.2.5.2-2: Wide Area BS operating band unwanted emission limits for operation in BC2 with GSM/EDGE or E-UTRA 1.4 or 3 MHz carriers adjacent to the RF bandwidth edge

| Frequency offset of measurement filter -3dB point, $\Delta f$  | Frequency offset of measurement filter centre frequency, $f_{\text{offset}}$ | Test requirement (Note 5, 6, 7)   | Measurement bandwidth (Note 9) |
|--|--|---|--------------------------------|
| $0 \text{ MHz} \leq \Delta f < 0.05 \text{ MHz}$   | $0.015 \text{ MHz} \leq f_{\text{offset}} < 0.065 \text{ MHz}$               | $\text{Max}(6.5 \text{ dBm} - 60 \cdot \left( \frac{f_{\text{offset}}}{\text{MHz}} - 0.015 \right) \text{ dB} + X, -12.5 \text{ dBm})$  | 30 kHz                         |
| $0.05 \text{ MHz} \leq \Delta f < 0.15 \text{ MHz}$  | $0.065 \text{ MHz} \leq f_{\text{offset}} < 0.165 \text{ MHz}$               | $\text{Max}(3.5 \text{ dBm} - 160 \cdot \left( \frac{f_{\text{offset}}}{\text{MHz}} - 0.065 \right) \text{ dB} + X, -12.5 \text{ dBm})$ | 30 kHz                         |
| <p>NOTE 4: The limits in this table only apply for operation with a GSM/EDGE or an E-UTRA 1.4 or 3 MHz carrier adjacent to the RF bandwidth edge.</p> <p>NOTE 5: For MSR BS supporting non-contiguous spectrum operation within any operating band the test requirement within sub-block gaps is calculated as a cumulative sum of contributions from adjacent sub blocks on each side of the sub block gap.</p> <p>NOTE 6: For MSR BS supporting multi-band operation with inter RF bandwidth gap &lt; 20MHz the test requirement within the inter RF bandwidth gaps is calculated as a cumulative sum of contributions from adjacent sub-blocks on each side of the inter RF bandwidth gap.</p> <p>NOTE 7: In case the carrier adjacent to the RF bandwidth edge is a GSM/EDGE carrier, the value of <math>X = P_{\text{GSMcarrier}} - 43</math>, where <math>P_{\text{GSMcarrier}}</math> is the power level of the GSM/EDGE carrier adjacent to the RF bandwidth edge. In other cases, <math>X = 0</math>.</p> |  |   |                                |

**Table 6.6.2.5.2-3: Medium Range BS operating band unwanted emission mask (UEM) for BC2, BS maximum output power  $31 < P \leq 38$  dBm**

| Frequency offset of measurement filter -3dB point, $\Delta f$   | Frequency offset of measurement filter centre frequency, $f_{\text{offset}}$                      | Test requirement (Note 2, 3)   | Measurement bandwidth (Note 9) |
|---|---|--|--------------------------------|
| $0 \text{ MHz} \leq \Delta f < 0.6 \text{ MHz}$<br>(Note 1)   | $0.015 \text{ MHz} \leq f_{\text{offset}} < 0.615 \text{ MHz}$                                    | $P - 56.5 \text{ dB} - \frac{7}{5} \left( \frac{f_{\text{offset}}}{\text{MHz}} - 0.015 \right) \text{ dB}$ | 30 kHz                         |
| $0.6 \text{ MHz} \leq \Delta f < 1 \text{ MHz}$   | $0.615 \text{ MHz} \leq f_{\text{offset}} < 1.015 \text{ MHz}$                                    | $P - 51.5 \text{ dB} - 15 \cdot \left( \frac{f_{\text{offset}}}{\text{MHz}} - 0.215 \right) \text{ dB}$    | 30 kHz                         |
| (Note 8)  | $1.015 \text{ MHz} \leq f_{\text{offset}} < 1.5 \text{ MHz}$                                      | $P - 63.5 \text{ dB}$  | 30 kHz                         |
| $1 \text{ MHz} \leq \Delta f \leq 2.8 \text{ MHz}$  | $1.5 \text{ MHz} \leq f_{\text{offset}} < 3.3 \text{ MHz}$  | $P - 50.5 \text{ dB}$  | 1 MHz                          |
| $2.8 \text{ MHz} \leq \Delta f \leq 5 \text{ MHz}$  | $3.3 \text{ MHz} \leq f_{\text{offset}} < 5.5 \text{ MHz}$  | $\min(P - 50.5 \text{ dB}, -13.5 \text{ dBm})$   | 1 MHz                          |
| $5 \text{ MHz} \leq \Delta f \leq \min(\Delta f_{\text{max}}, 10 \text{ MHz})$  | $5.5 \text{ MHz} \leq f_{\text{offset}} < \min(f_{\text{offset}_{\text{max}}}, 10.5 \text{ MHz})$ | $P - 54.5 \text{ dB}$  | 1 MHz                          |
| $10 \text{ MHz} \leq \Delta f \leq \Delta f_{\text{max}}$   | $10.5 \text{ MHz} \leq f_{\text{offset}} < f_{\text{offset}_{\text{max}}}$                        | $P - 56 \text{ dB}$ (Note 10)  | 1 MHz                          |
| NOTE 1: For operation with a GSM/EDGE or an E-UTRA 1.4 or 3 MHz carrier adjacent to the RF bandwidth edge, the limits in Table 6.6.2.5.2-5 apply for $0 \text{ MHz} \leq \Delta f < 0.15 \text{ MHz}$ .   |   |  |                                |
| NOTE 2: For MSR BS supporting non-contiguous spectrum operation within any operating band the test requirement within sub-block gaps is calculated as a cumulative sum of contributions from adjacent sub blocks on each side of the sub block gap. Exception is $\Delta f \geq 10 \text{ MHz}$ from both adjacent sub blocks on each side of the sub-block gap, where the test requirement within sub-block gaps shall be $(P - 56 \text{ dB})/\text{MHz}$ . |   |  |                                |
| NOTE 3: For MSR BS supporting multi-band operation with inter RF bandwidth gap $< 20 \text{ MHz}$ the test requirement within the inter RF bandwidth gaps is calculated as a cumulative sum of contributions from adjacent sub-blocks on each side of the inter RF bandwidth gap.   |   |  |                                |

**Table 6.6.2.5.2-4: Medium Range BS operating band unwanted emission mask (UEM) for BC2, BS maximum output power  $P \leq 31$  dBm**

| Frequency offset of measurement filter -3dB point, $\Delta f$   | Frequency offset of measurement filter centre frequency, $f_{\text{offset}}$                      | Test requirement (Note 2, 3)   | Measurement bandwidth (Note 9) |
|---|---|--|--------------------------------|
| $0 \text{ MHz} \leq \Delta f < 0.6 \text{ MHz}$<br>(Note 1)   | $0.015 \text{ MHz} \leq f_{\text{offset}} < 0.615 \text{ MHz}$                                    | $-25.5 \text{ dBm} - \frac{7}{5} \left( \frac{f_{\text{offset}}}{\text{MHz}} - 0.015 \right) \text{ dB}$ | 30 kHz                         |
| $0.6 \text{ MHz} \leq \Delta f < 1 \text{ MHz}$   | $0.615 \text{ MHz} \leq f_{\text{offset}} < 1.015 \text{ MHz}$                                    | $-20.5 \text{ dBm} - 15 \cdot \left( \frac{f_{\text{offset}}}{\text{MHz}} - 0.215 \right) \text{ dB}$    | 30 kHz                         |
| (Note 8)  | $1.015 \text{ MHz} \leq f_{\text{offset}} < 1.5 \text{ MHz}$                                      | $-32.5 \text{ dBm}$  | 30 kHz                         |
| $1 \text{ MHz} \leq \Delta f \leq 5 \text{ MHz}$  | $1.5 \text{ MHz} \leq f_{\text{offset}} < 5.5 \text{ MHz}$  | $-19.5 \text{ dBm}$  | 1 MHz                          |
| $5 \text{ MHz} \leq \Delta f \leq \min(\Delta f_{\text{max}}, 10 \text{ MHz})$  | $5.5 \text{ MHz} \leq f_{\text{offset}} < \min(f_{\text{offset}_{\text{max}}}, 10.5 \text{ MHz})$ | $-23.5 \text{ dBm}$  | 1 MHz                          |
| $10 \text{ MHz} \leq \Delta f \leq \Delta f_{\text{max}}$   | $10.5 \text{ MHz} \leq f_{\text{offset}} < f_{\text{offset}_{\text{max}}}$                        | $-25 \text{ dBm}$ (Note 10)  | 1 MHz                          |
| NOTE 1: For operation with a GSM/EDGE or an E-UTRA 1.4 or 3 MHz carrier adjacent to the RF bandwidth edge, the limits in Table 6.6.2.5.2-6 apply for $0 \text{ MHz} \leq \Delta f < 0.15 \text{ MHz}$ .   |   |  |                                |
| NOTE 2: For MSR BS supporting non-contiguous spectrum operation within any operating band the test requirement within sub-block gaps is calculated as a cumulative sum of contributions from adjacent sub blocks on each side of the sub block gap. Exception is $\Delta f \geq 10 \text{ MHz}$ from both adjacent sub blocks on each side of the sub-block gap, where the test requirement within sub-block gaps shall be $-25 \text{ dBm}/\text{MHz}$ . |   |  |                                |
| NOTE 3: For MSR BS supporting multi-band operation with inter RF bandwidth gap $< 20 \text{ MHz}$ the test requirement within the inter RF bandwidth gaps is calculated as a cumulative sum of contributions from adjacent sub-blocks on each side of the inter RF bandwidth gap.   |   |  |                                |

**Table 6.6.2.5.2-5: Medium Range operating band unwanted emission limits for operation in BC2 with GSM/EDGE or E-UTRA 1.4 or 3 MHz carriers adjacent to the RF bandwidth edge, BS maximum output power  $31 < P \leq 38$  dBm**

| Frequency offset of measurement filter -3dB point, $\Delta f$ | Frequency offset of measurement filter centre frequency, $f_{\text{offset}}$ | Test requirement (Note 5, 6) | Measurement bandwidth (Note 9) |
|---|--|------------------------------|--------------------------------|
|---|--|------------------------------|--------------------------------|

|  |  |  |        |
|--|--|--|--------|
| $0 \text{ MHz} \leq \Delta f < 0.05 \text{ MHz}$   | $0.015 \text{ MHz} \leq f_{\text{offset}} < 0.065 \text{ MHz}$ | $P - 36.5 \text{ dB} - 60 \cdot \left( \frac{f_{\text{offset}}}{\text{MHz}} - 0.015 \right) \text{ dB}$  | 30 kHz |
| $0.05 \text{ MHz} \leq \Delta f < 0.15 \text{ MHz}$  | $0.065 \text{ MHz} \leq f_{\text{offset}} < 0.165 \text{ MHz}$ | $P - 39.5 \text{ dB} - 160 \cdot \left( \frac{f_{\text{offset}}}{\text{MHz}} - 0.065 \right) \text{ dB}$ | 30 kHz |
| NOTE 4: The limits in this table only apply for operation with a GSM/EDGE or an E-UTRA 1.4 or 3 MHz carrier adjacent to the RF bandwidth edge.   |  |  |        |
| NOTE 5: For MSR BS supporting non-contiguous spectrum operation within any operating band the test requirement within sub-block gaps is calculated as a cumulative sum of contributions from adjacent sub blocks on each side of the sub block gap.                    |  |  |        |
| NOTE 6: For MSR BS supporting multi-band operation with inter RF bandwidth gap < 20MHz the test requirement within the inter RF bandwidth gaps is calculated as a cumulative sum of contributions from adjacent sub-blocks on each side of the inter RF bandwidth gap. |  |  |        |

**Table 6.6.2.5.2-6: Medium Range operating band unwanted emission limits for operation in BC2 with GSM/EDGE or E-UTRA 1.4 or 3 MHz carriers adjacent to the RF bandwidth edge, BS maximum output power  $P \leq 31 \text{ dBm}$**

| Frequency offset of measurement filter -3dB point, $\Delta f$  | Frequency offset of measurement filter centre frequency, $f_{\text{offset}}$ | Test requirement (Note 5, 6, 7)   | Measurement bandwidth (Note 9) |
|--|--|---|--------------------------------|
| $0 \text{ MHz} \leq \Delta f < 0.05 \text{ MHz}$   | $0.015 \text{ MHz} \leq f_{\text{offset}} < 0.065 \text{ MHz}$               | $\text{Max}(-5.5 \text{ dBm} - 60 \cdot \left( \frac{f_{\text{offset}}}{\text{MHz}} - 0.015 \right) \text{ dB} + X \text{ dB}, -25.5 \text{ dBm})$  | 30 kHz                         |
| $0.05 \text{ MHz} \leq \Delta f < 0.15 \text{ MHz}$  | $0.065 \text{ MHz} \leq f_{\text{offset}} < 0.165 \text{ MHz}$               | $\text{Max}(-8.5 \text{ dBm} - 160 \cdot \left( \frac{f_{\text{offset}}}{\text{MHz}} - 0.065 \right) \text{ dB} + X \text{ dB}, -25.5 \text{ dBm})$ | 30 kHz                         |
| NOTE 4: The limits in this table only apply for operation with a GSM/EDGE or an E-UTRA 1.4 or 3 MHz carrier adjacent to the RF bandwidth edge.   |  |   |                                |
| NOTE 5: For MSR BS supporting non-contiguous spectrum operation within any operating band the test requirement within sub-block gaps is calculated as a cumulative sum of contributions from adjacent sub blocks on each side of the sub block gap.                        |  |   |                                |
| NOTE 6: For MSR BS supporting multi-band operation with inter RF bandwidth gap < 20MHz the test requirement within the inter RF bandwidth gaps is calculated as a cumulative sum of contributions from adjacent sub-blocks on each side of the inter RF bandwidth gap.     |  |   |                                |
| NOTE 7: In case the carrier adjacent to the RF bandwidth edge is a GSM/EDGE carrier, the value of $X = P_{\text{GSMcarrier}} - 31$ , where $P_{\text{GSMcarrier}}$ is the power level of the GSM/EDGE carrier adjacent to the RF bandwidth edge. In other cases, $X = 0$ . |  |   |                                |

Table 6.6.2.5.2-7: Local Area operating band unwanted emission mask (UEM) for BC2

| Frequency offset of measurement filter -3dB point, $\Delta f$               | Frequency offset of measurement filter centre frequency, $f_{\text{offset}}$                        | Test requirement (Note 2, 3)  | Measurement bandwidth (Note 9) |
|---|---|---|--------------------------------|
| $0 \text{ MHz} \leq \Delta f < 5 \text{ MHz}$<br>(Note 1)                   | $0.05 \text{ MHz} \leq f_{\text{offset}} < 5.05 \text{ MHz}$  | $-28.5 \text{ dBm} - \frac{7}{5} \left( \frac{f_{\text{offset}}}{\text{MHz}} - 0.05 \right) \text{ dB}$ | 100 kHz                        |
| $5 \text{ MHz} \leq \Delta f < \min(10 \text{ MHz}, \Delta f_{\text{max}})$ | $5.05 \text{ MHz} \leq f_{\text{offset}} < \min(10.05 \text{ MHz}, f_{\text{offset}_{\text{max}}})$ | -35.5 dBm   | 100 kHz                        |
| $10 \text{ MHz} \leq \Delta f \leq \Delta f_{\text{max}}$                   | $10.05 \text{ MHz} \leq f_{\text{offset}} < f_{\text{offset}_{\text{max}}}$                         | -37 dBm (Note 7)  | 100 kHz                        |

NOTE 1: For operation with a GSM/EDGE or an E-UTRA 1.4 or 3 MHz carrier adjacent to the RF bandwidth edge, the limits in Table 6.6.2.5.2-8 apply for  $0 \text{ MHz} \leq \Delta f < 0.16 \text{ MHz}$ .

NOTE 2: For MSR BS supporting non-contiguous spectrum operation within any operating band the test requirement within sub-block gaps is calculated as a cumulative sum of contributions from adjacent sub blocks on each side of the sub block gap. Exception is  $\Delta f \geq 10 \text{ MHz}$  from both adjacent sub blocks on each side of the sub-block gap, where the test requirement within sub-block gaps shall be -37dBm/100 kHz.

NOTE 3: For MSR BS supporting multi-band operation with inter RF bandwidth gap < 20MHz the test requirement within the inter RF bandwidth gaps is calculated as a cumulative sum of contributions from adjacent sub-blocks on each side of the inter RF bandwidth gap.

Table 6.6.2.5.2-8: Local Area operating band unwanted emission limits for operation in BC2 with GSM/EDGE or E-UTRA 1.4 or 3 MHz carriers adjacent to the RF bandwidth edge

| Frequency offset of measurement filter -3dB point, $\Delta f$ | Frequency offset of measurement filter centre frequency, $f_{\text{offset}}$ | Test requirement (Note 5, 6, 7)   | Measurement bandwidth (Note 9) |
|---|--|---|--------------------------------|
| $0 \text{ MHz} \leq \Delta f < 0.05 \text{ MHz}$              | $0.015 \text{ MHz} \leq f_{\text{offset}} < 0.065 \text{ MHz}$               | $\text{Max}(-12.5 \text{ dBm} - 60 \cdot \left( \frac{f_{\text{offset}}}{\text{MHz}} - 0.015 \right) + X \text{ dB}, -33.5 \text{ dBm})$  | 30 kHz                         |
| $0.05 \text{ MHz} \leq \Delta f < 0.16 \text{ MHz}$           | $0.065 \text{ MHz} \leq f_{\text{offset}} < 0.175 \text{ MHz}$               | $\text{Max}(-15.5 \text{ dBm} - 160 \cdot \left( \frac{f_{\text{offset}}}{\text{MHz}} - 0.065 \right) + X \text{ dB}, -33.5 \text{ dBm})$ | 30 kHz                         |

NOTE 4: The limits in this table only apply for operation with a GSM/EDGE or an E-UTRA 1.4 or 3 MHz carrier adjacent to the RF bandwidth edge.

NOTE 5: For MSR BS supporting non-contiguous spectrum operation within any operating band the test requirement within sub-block gaps is calculated as a cumulative sum of contributions from adjacent sub blocks on each side of the sub block gap.

NOTE 6: For MSR BS supporting multi-band operation with inter RF bandwidth gap < 20MHz the test requirement within the inter RF bandwidth gaps is calculated as a cumulative sum of contributions from adjacent sub-blocks on each side of the inter RF bandwidth gap.

NOTE 7: In case the carrier adjacent to the RF bandwidth edge is a GSM/EDGE carrier, the value of  $X = P_{\text{GSMcarrier}} - 24$ , where  $P_{\text{GSMcarrier}}$  is the power level of the GSM/EDGE carrier adjacent to the RF bandwidth edge. In other cases,  $X = 0$ .

NOTE 8: This frequency range ensures that the range of values of  $f_{\text{offset}}$  is continuous.

NOTE 9: As a general rule for the requirements in the present subclause, the resolution bandwidth of the measuring equipment should be equal to the measurement bandwidth. However, to improve measurement accuracy, sensitivity and efficiency, the resolution bandwidth may be smaller than the measurement bandwidth. When the resolution bandwidth is smaller than the measurement bandwidth, the result should be integrated over the measurement bandwidth in order to obtain the equivalent noise bandwidth of the measurement bandwidth.

NOTE 10: The requirement is not applicable when  $\Delta f_{\text{max}} < 10 \text{ MHz}$ .



### 6.6.2.5.3 Test requirements for GSM/EDGE single-RAT requirements

The following test requirements and the corresponding test method specified in TS 51.021 [11] apply to an MSR Base Station for any operating band with GSM/EDGE single RAT operation in Band Category 2:

- Spectrum due to the modulation and wide band noise, applicable parts of subclause 6.5.1.
- Spectrum due to switching transients, applicable parts of subclause 6.5.2.
- Emission requirement for frequency offsets of between 2 and 10 MHz outside relevant transmit band, applicable parts of subclause 6.6.2.
- Intra BTS Intermodulation, applicable parts of subclause 6.12.

### 6.6.2.5.4 Test requirements for additional requirements

#### 6.6.2.5.4.1 Limits in FCC Title 47

In addition to the requirements in subclauses 6.6.2.5.1 and 6.6.2.5.2, the BS may have to comply with the applicable emission limits established by FCC Title 47 [8], when deployed in regions where those limits are applied, and under the conditions declared by the manufacturer.

#### 6.6.2.5.4.2 Unsynchronized operation for BC3

In certain regions, the following requirements may apply to a TDD BS operating in BC3 in the same geographic area and in the same operating band as another TDD system without synchronisation. For this case the emissions shall not exceed -52 dBm/MHz in each supported downlink operating band except in:

- The frequency range from 10 MHz below the lower RF bandwidth edge to the frequency 10 MHz above the upper RF bandwidth edge of each supported band.

NOTE 1: Local or regional regulations may specify another excluded frequency range, which may include frequencies where synchronised TDD systems operate.

NOTE 2: TDD Base Stations that are synchronized and operating in BC3 can transmit without these additional co-existence requirements.

#### 6.6.2.5.4.3 Protection of DTT

In certain regions the following requirement may apply for protection of DTT. For a BS operating in Band 20, the level of emissions in the band 470-790 MHz, measured in an 8 MHz filter bandwidth on centre frequencies  $F_{\text{filter}}$  according to Table 6.6.2.5.4.3-1, shall not exceed the maximum emission level  $P_{\text{EM,N}}$  declared by the manufacturer. This requirement applies in the frequency range 470-790 MHz even though part of the range falls in the spurious domain.

**Table 6.6.2.5.4.3-1: Declared emissions levels for protection of DTT**

| Filter centre frequency,<br>$F_{\text{filter}}$                     | Measurement<br>bandwidth | Declared emission level<br>[dBm] |
|---|--------------------------|----------------------------------|
| $F_{\text{filter}} = 8 \cdot N + 306$ (MHz);<br>$21 \leq N \leq 60$ | 8 MHz                    | $P_{\text{EM,N}}$                |

NOTE: The regional requirement is defined in terms of EIRP (effective isotropic radiated power), which is dependent on both the BS emissions at the antenna connector and the deployment (including antenna gain and feeder loss). The requirement defined above provides the characteristics of the Base Station needed to verify compliance with the regional requirement. Compliance with the regional requirement can be determined using the method outlined in Annex G of TS 36.104 [5].

#### 6.6.2.5.4.4 Co-existence with services in adjacent frequency bands

This requirement may be applied for the protection of systems operating in frequency bands adjacent to Band 1 as defined in subclause 4.5, in geographic areas in which both an adjacent band service and UTRA and/or E-UTRA are deployed.

The power of any spurious emission shall not exceed:

**Table 6.6.2.5.4.4-1: Emissions limits for protection of adjacent band services**

| Operating Band | Frequency range | Maximum Level  | Measurement Bandwidth |
|----------------|-----------------|--|-----------------------|
| 1              | 2100-2105 MHz   | $-30 + 3.4 \cdot (f - 2100 \text{ MHz}) \text{ dBm}$ | 1 MHz                 |
|                | 2175-2180 MHz   | $-30 + 3.4 \cdot (2180 \text{ MHz} - f) \text{ dBm}$ | 1 MHz                 |

#### 6.6.2.5.4.5 Additional requirements for band 41

The following requirement may apply to BS operating in Band 41 in certain regions. Emissions shall not exceed the maximum levels specified in Table 6.6.2.5.4.5-1 below, where:

- $\Delta f$  is the separation between the RF bandwidth edge frequency and the nominal -3dB point of the measuring filter closest to the carrier frequency.
- $f_{\text{offset}}$  is the separation between the RF bandwidth edge frequency and the centre of the measuring filter.

**Table 6.6.2.5.4.5-1: Additional operating band unwanted emission limits Band 41**

| Channel bandwidth | Frequency offset of measurement filter -3dB point, $\Delta f$ | Frequency offset of measurement filter centre frequency, $f_{\text{offset}}$ | Test requirement | Measurement bandwidth |
|-------------------|---|--|------------------|-----------------------|
| 10 MHz            | $10 \text{ MHz} \leq \Delta f < 20 \text{ MHz}$               | $10.5 \text{ MHz} \leq f_{\text{offset}} < 19.5 \text{ MHz}$                 | -22 dBm          | 1 MHz                 |
| 20 MHz            | $20 \text{ MHz} \leq \Delta f < 40 \text{ MHz}$               | $20.5 \text{ MHz} \leq f_{\text{offset}} < 39.5 \text{ MHz}$                 | -22 dBm          | 1 MHz                 |

NOTE: This requirement applies for E-UTRA carriers allocated within 2545-2575MHz or 2595-2645MHz.

#### 6.6.2.5.4.6 Additional band 32 unwanted emissions

In certain regions, the following requirements may apply to BS operating in Band 32 within 1452-1492 MHz. The level of operating band unwanted emissions, measured on centre frequencies  $f_{\text{offset}}$  with filter bandwidth, according to Table 6.6.2.5.4.6-1, shall neither exceed the maximum emission level  $P_{EM,B32,a}$ ,  $P_{EM,B32,b}$  nor  $P_{EM,B32,c}$  declared by the manufacturer.

**Table 6.6.2.5.4.6-1: Declared operating band 32 unwanted emission within 1452-1492 MHz**

| Frequency offset of measurement filter centre frequency, $f_{\text{offset}}$ | Declared emission level [dBm] | Measurement bandwidth |
|--|-------------------------------|-----------------------|
| 2.5 MHz  | $P_{EM,B32,a}$                | 5 MHz                 |
| 7.5 MHz  | $P_{EM,B32,b}$                | 5 MHz                 |
| $12.5 \text{ MHz} \leq f_{\text{offset}} \leq f_{\text{offset,max}, B32}$    | $P_{EM,B32,c}$                | 5 MHz                 |

NOTE:  $f_{\text{offset,max}, B32}$  denotes the frequency difference between the lower RF bandwidth edge and 1454.5 MHz, and the frequency difference between the upper RF bandwidth edge and 1489.5 MHz for the set channel position.

NOTE: The regional requirement, included in [24], is defined in terms of EIRP per antenna, which is dependent on both the BS emissions at the antenna connector and the deployment (including antenna gain and feeder loss). The requirement defined above provides the characteristics of the base station needed to verify compliance with the regional requirement. The assessment of the EIRP level is described in Annex H of TS 36.104 [5].

In certain regions, the following requirement may apply to BS operating in Band 32 within 1452-1492MHz for the protection of services in spectrum adjacent to the frequency range 1452-1492 MHz. The level of emissions, measured on centre frequencies  $F_{\text{filter}}$  with filter bandwidth according to Table 6.6.2.5.4.6-2, shall neither exceed the maximum emission level  $P_{EM,B32,d}$  nor  $P_{EM,B32,e}$  declared by the manufacturer. This requirement applies in the frequency range 1429-1518MHz even though part of the range falls in the spurious domain.

**Table 6.6.2.5.4.6-2: Operating band 32 declared emission outside 1452-1492 MHz**

| Filter centre frequency, $F_{\text{filter}}$                        | Declared emission level [dBm]       | Measurement bandwidth |
|---|-------------------------------------|-----------------------|
| $1429.5 \text{ MHz} \leq F_{\text{filter}} \leq 1448.5 \text{ MHz}$ | $P_{\text{EM},\text{B32},\text{d}}$ | 1 MHz                 |
| $F_{\text{filter}} = 1450.5 \text{ MHz}$                            | $P_{\text{EM},\text{B32},\text{e}}$ | 3 MHz                 |
| $F_{\text{filter}} = 1493.5 \text{ MHz}$                            | $P_{\text{EM},\text{B32},\text{e}}$ | 3 MHz                 |
| $1495.5 \text{ MHz} \leq F_{\text{filter}} \leq 1517.5 \text{ MHz}$ | $P_{\text{EM},\text{B32},\text{d}}$ | 1 MHz                 |

NOTE: The regional requirement, included in [24], is defined in terms of EIRP, which is dependent on both the BS emissions at the antenna connector and the deployment (including antenna gain and feeder loss). The requirement defined above provides the characteristics of the base station needed to verify compliance with the regional requirement. The assessment of the EIRP level is described in Annex H of TS 36.104 [5].

## 6.6.3 Occupied bandwidth

### 6.6.3.1 Definition and applicability

The occupied bandwidth is the width of a frequency band such that, below the lower and above the upper frequency limits, the mean powers emitted are each equal to a specified percentage  $\beta/2$  of the total mean transmitted power. See also ITU-R Recommendation SM.328 [15].

The value of  $\beta/2$  shall be taken as 0.5%.

### 6.6.3.2 Minimum requirements

The minimum requirement is in TS 37.104 [2] subclause 6.6.3.

### 6.6.3.3 Test purpose

The occupied bandwidth, defined in the Radio Regulations of the International Telecommunication Union ITU, is a useful concept for specifying the spectral properties of a given emission in the simplest possible manner; see also ITU-R Recommendation SM.328 [15]. The test purpose is to verify that the emission of the BS does not occupy an excessive bandwidth for the service to be provided and is, therefore, not likely to create interference to other users of the spectrum beyond undue limits.

### 6.6.3.4 Method of test

For this requirement Tables 5.1-1 and 5.2-1 refer to single-RAT specifications; see clause 5. The following shall apply:

- For references to TS 25.141 [10], the method of test is specified in TS 25.141 [10], subclause 6.5.1.4.
- For references to TS 25.142 [12], the method of test is specified in TS 25.142 [12], subclause 6.6.1.4.
- For references to TS 36.141 [9], the method of test is specified in TS 36.141 [9], subclause 6.6.1.4.

In addition, for a multi-band capable BS, the following steps shall apply:

- For multi-band capable BS and single band tests, repeat the tests per involved band where single carrier test models shall apply, with no carrier activated in the other band. In addition, when contiguous CA is supported, single band test configurations and test models shall apply with no carrier activated in the other band.
- For multi-band capable BS with separate antenna connector, the antenna connector not being under test shall be terminated.

### 6.6.3.5 Test requirement

The occupied bandwidth of a single carrier shall be less than the values listed in Table 6.6.3.5-1. In addition, for E-UTRA intra-band contiguous carrier aggregation, test requirement in clause 6.6.1.5 of TS 36.141 [9] applies for the E-UTRA component carriers that are aggregated.

**Table 6.6.3.5-1: Occupied bandwidth**

| RAT                | Occupied bandwidth limit |
|--------------------|--------------------------|
| E-UTRA             | $BW_{\text{Channel}}$    |
| UTRA FDD           | 5 MHz                    |
| 1.28 Mcps UTRA TDD | 1.6 MHz                  |

## 6.6.4 Adjacent Channel Leakage power Ratio (ACLR)

### 6.6.4.1 Definition and applicability

Adjacent Channel Leakage power Ratio (ACLR) is the ratio of the filtered mean power centred on the assigned channel frequency to the filtered mean power centred on an adjacent channel frequency.

### 6.6.4.2 Minimum requirement

The minimum requirement is in TS 37.104 [2] subclause 6.6.4.

### 6.6.4.3 Test purpose

To verify that the adjacent channel leakage power ratio requirement shall be met as specified by the minimum requirement.

### 6.6.4.4 Method of test

For this requirement Tables 5.1-1 and 5.2-1 also refer to single-RAT specifications for UTRA; see clause 5. The following shall apply for references to UTRA single-RAT specifications:

- For references to TS 25.141 [10], the method of test is specified in TS 25.141 [10], subclause 6.5.2.2.4.
- For references to TS 25.142 [12], the method of test is specified in TS 25.142 [12], subclause 6.6.2.2.4.

For E-UTRA ACLR requirement outside the RF bandwidth edges and the ACLR requirement applied inside sub-block gap, in addition, for non-contiguous spectrum operation or inter RF bandwidth gap for multi-band operation using, the test configurations defined in subclause 4.8, the method of test described in subclauses 6.6.4.4.1 and 6.6.4.4.2 applies.

#### 6.6.4.4.1 Initial conditions

Test environment: normal; see Annex B.2.

RF bandwidth positions to be tested:  $B_{\text{RFBW}}$ ,  $M_{\text{RFBW}}$  and  $T_{\text{RFBW}}$  in single-band operation; see subclause 4.9.1;  $B_{\text{RFBW\_T}}$ ,  $T_{\text{RFBW}}$  and  $B_{\text{RFBW\_T}}$  in multi-band operation, see subclause 4.9.1.

- 1) Connect the signal analyzer to the Base Station antenna connector as shown in Annex D.1.1.
- 2) The measurement device characteristics shall be:
  - measurement filter bandwidth: defined in subclause 6.6.4.5;
  - detection mode: true RMS voltage or true average power.

#### 6.6.4.4.2 Procedure

- 1) Set the Base Station to transmit at maximum power according to the applicable test configuration in clause 5 using the corresponding test models or set of physical channels in subclause 4.9.2.
- 2) For E-UTRA, measure ACLR outside the RF bandwidth edges and ACLR inside sub-block gap or inter RF bandwidth gap, in addition, for non-contiguous spectrum operation as specified in subclause 6.6.4.5.1.
- 3) For UTRA FDD, measure ACLR inside sub-block gap or inter RF bandwidth gap as specified in subclause 6.6.4.5.2.

- 4) Measure Cumulative Adjacent Channel Leakage power Ratio (CACLR) inside sub-block gap or the inter RF bandwidth gap as specified in subclause 6.6.4.5.4.

In addition, for a multi-band capable BS, the following steps shall apply:

- 5) For multi-band capable BS and single band tests, repeat the steps above per involved band where single band test configurations and test models shall apply with no carrier activated in the other band.
- 6) For multi-band capable BS with separate antenna connector, the antenna connector not being under test in case of SBT or MBT shall be terminated.

## 6.6.4.5 Test requirements

### 6.6.4.5.1 E-UTRA test requirement

For E-UTRA, the test requirement is specified in Tables 6.6.4.5.1-1 and 6.6.4.5.1-2, and applies outside the RF bandwidth edges or maximum radio bandwidth edges.

For a BS operating in non-contiguous spectrum, the ACLR also applies for the first adjacent channel inside any sub-blockgap with a gap size  $W_{\text{gap}} \geq 15\text{MHz}$ . The ACLR requirement for the second adjacent channel applies inside any sub-block gap with a gap size  $W_{\text{gap}} \geq 20\text{MHz}$ . The CACLR test requirement in subclause 6.6.4.5.4 applies in sub block gaps for the frequency ranges defined in Table 6.6.4.5.4-1.

For a BS operating in multiple bands, where multiple bands are mapped onto the same antenna connector, the ACLR also applies for the first adjacent channel inside any inter RF bandwidth gap with a gap size  $W_{\text{gap}} \geq 15\text{MHz}$ . The ACLR requirement for the second adjacent channel applies inside any inter RF bandwidth gap with a gap size  $W_{\text{gap}} \geq 20\text{MHz}$ . The CACLR requirement in subclause 6.6.4.5.4 applies in inter RF bandwidth gaps for the frequency ranges defined in Table 6.6.4.5.4-1.

The requirement applies during the transmitter on period.

The ACLR is defined with a square filter of bandwidth equal to the transmission bandwidth configuration of the transmitted signal ( $BW_{\text{Config}}$ ) centered on the assigned channel frequency and a filter centered on the adjacent channel frequency according to the tables below.

For Category A Wide Area BS, either the ACLR limits in the tables below or the absolute limit of -13dBm/MHz apply, whichever is less stringent.

For Category B Wide Area BS, either the ACLR limits in the tables below or the absolute limit of -15 dBm/MHz apply, whichever is less stringent.

For Medium Range BS, either the ACLR limits in the tables below or the absolute limit of -25 dBm/MHz shall apply, whichever is less stringent.

For Local Area BS, either the ACLR limits in the tables below or the absolute limit of -32dBm/MHz shall apply, whichever is less stringent.

For operation in paired spectrum, the ACLR shall be higher than the value specified in Table 6.6.4.5.1-1.

Table 6.6.4.5.1-1: Base Station ACLR in paired spectrum

| Channel bandwidth of E-UTRA lowest (highest) carrier transmitted $BW_{\text{Channel}}$ [MHz]  | BS adjacent channel centre frequency offset below the lowest or above the highest RF bandwidth edge frequency | Assumed adjacent channel carrier | Filter on the adjacent channel frequency and corresponding filter bandwidth | ACLR limit |
|---|---|----------------------------------|---|------------|
| 1.4, 3.0, 5, 10, 15, 20   | $0.5 \times BW_{\text{Channel}}$  | E-UTRA of same BW                | Square ( $BW_{\text{Config}}$ )   | 44.2 dB    |
|   | $1.5 \times BW_{\text{Channel}}$  | E-UTRA of same BW                | Square ( $BW_{\text{Config}}$ )   | 44.2 dB    |
|   | 2.5 MHz   | 3.84 Mcps UTRA                   | RRC (3.84 Mcps)   | 44.2 dB    |
|   | 7.5 MHz   | 3.84 Mcps UTRA                   | RRC (3.84 Mcps)   | 44.2 dB    |
| NOTE 1: $BW_{\text{Channel}}$ and $BW_{\text{Config}}$ are the channel bandwidth and transmission bandwidth configuration of the E-UTRA lowest (highest) carrier transmitted on the assigned channel frequency. |   |                                  |   |            |
| NOTE 2: The RRC filter shall be equivalent to the transmit pulse shape filter defined in TS 25.104 [3], with a chip rate as defined in this table.  |   |                                  |   |            |

For operation in unpaired spectrum, the ACLR shall be higher than the value specified in Table 6.6.4.5.1-2.

Table 6.6.4.5.1-2: Base Station ACLR in unpaired spectrum with synchronized operation

| Channel bandwidth of E-UTRA lowest (highest) carrier transmitted $BW_{\text{Channel}}$ [MHz]  | BS adjacent channel centre frequency offset below the lowest or above the highest RF bandwidth edge frequency | Assumed adjacent channel carrier | Filter on the adjacent channel frequency and corresponding filter bandwidth | ACLR limit |
|---|---|----------------------------------|---|------------|
| 1.4, 3  | $0.5 \times BW_{\text{Channel}}$  | E-UTRA of same BW                | Square ( $BW_{\text{Config}}$ )   | 44.2 dB    |
|   | $1.5 \times BW_{\text{Channel}}$  | E-UTRA of same BW                | Square ( $BW_{\text{Config}}$ )   | 44.2 dB    |
|   | 0.8 MHz   | 1.28 Mcps UTRA                   | RRC (1.28 Mcps)   | 44.2 dB    |
|   | 2.4 MHz   | 1.28 Mcps UTRA                   | RRC (1.28 Mcps)   | 44.2 dB    |
| 5, 10, 15, 20   | $0.5 \times BW_{\text{Channel}}$  | E-UTRA of same BW                | Square ( $BW_{\text{Config}}$ )   | 44.2 dB    |
|   | $1.5 \times BW_{\text{Channel}}$  | E-UTRA of same BW                | Square ( $BW_{\text{Config}}$ )   | 44.2 dB    |
|   | 0.8 MHz   | 1.28 Mcps UTRA                   | RRC (1.28 Mcps)   | 44.2 dB    |
|   | 2.4 MHz   | 1.28 Mcps UTRA                   | RRC (1.28 Mcps)   | 44.2 dB    |
|   | 2.5 MHz   | 3.84 Mcps UTRA                   | RRC (3.84 Mcps)   | 44.2 dB    |
|   | 7.5 MHz   | 3.84 Mcps UTRA                   | RRC (3.84 Mcps)   | 44.2 dB    |
|   | 5 MHz   | 7.68 Mcps UTRA                   | RRC (7.68 Mcps)   | 44.2 dB    |
|   | 15 MHz  | 7.68 Mcps UTRA                   | RRC (7.68 Mcps)   | 44.2 dB    |
| NOTE 1: $BW_{\text{Channel}}$ and $BW_{\text{Config}}$ are the channel bandwidth and transmission bandwidth configuration of the E-UTRA lowest (highest) carrier transmitted on the assigned channel frequency. |   |                                  |   |            |
| NOTE 2: The RRC filter shall be equivalent to the transmit pulse shape filter defined in TS 25.105 [4], with a chip rate as defined in this table.  |   |                                  |   |            |

For operation in non-contiguous paired spectrum, the ACLR shall be higher than the value specified in Table 6.6.4.5.1-3.

Table 6.6.4.5.1-3: Base Station ACLR in non-contiguous paired spectrum

| Sub-block gap size ( $W_{\text{gap}}$ ) where the limit applies  | BS adjacent channel centre frequency offset below or above the sub-block edge (inside the gap) | Assumed adjacent channel carrier | Filter on the adjacent channel frequency and corresponding filter bandwidth | ACLR limit |
|--|--|----------------------------------|---|------------|
| $W_{\text{gap}} \geq 15$ MHz   | 2.5 MHz  | 3.84 Mcps UTRA                   | RRC (3.84 Mcps)   | 44.2 dB    |
| $W_{\text{gap}} \geq 20$ MHz   | 7.5 MHz  | 3.84 Mcps UTRA                   | RRC (3.84 Mcps)   | 44.2 dB    |
| NOTE: The RRC filter shall be equivalent to the transmit pulse shape filter defined in TS 25.104 [3], with a chip rate as defined in this table. |  |                                  |   |            |

For operation in non-contiguous unpaired spectrum, the ACLR shall be higher than the value specified in Table 6.6.4.5.1-4.

**Table 6.6.4.5.1-4: Base Station ACLR in non-contiguous unpaired spectrum**

| Sub-block gap size ( $W_{\text{gap}}$ ) where the limit applies | BS adjacent channel centre frequency offset below or above the sub-block edge (inside the gap) | Assumed adjacent channel carrier | Filter on the adjacent channel frequency and corresponding filter bandwidth | ACLR limit |
|---|--|----------------------------------|---|------------|
| $W_{\text{gap}} \geq 15$ MHz                                    | 2.5 MHz  | 5MHz E-UTRA                      | Square ( $BW_{\text{Config}}$ )   | 44.2 dB    |
| $W_{\text{gap}} \geq 20$ MHz                                    | 7.5 MHz  | 5MHz E-UTRA                      | Square ( $BW_{\text{Config}}$ )   | 44.2 dB    |

#### 6.6.4.5.2 UTRA FDD test requirement

For UTRA FDD, the test requirement is specified in TS 25.141 [10] subclause 6.5.2.2.5, and applies outside the RF bandwidth edges or maximum radio bandwidth edges.

For a BS operating in non-contiguous spectrum, ACLR requirement also applies for the first adjacent channel, inside any sub-block gap with a gap size  $W_{\text{gap}} \geq 15$  MHz. The ACLR requirement for the second adjacent channel applies inside any sub-block gap with a gap size  $W_{\text{gap}} \geq 20$  MHz. The CACLR test requirement in subclause 6.6.4.5.4 applies in sub block gaps for the frequency ranges defined in Table 6.6.4.5.4-1.

For a BS operating in multiple bands, where multiple bands are mapped onto the same antenna connector, ACLR requirement also applies for the first adjacent channel, inside any inter RF bandwidth gap with a gap size  $W_{\text{gap}} \geq 15$  MHz. The ACLR requirement for the second adjacent channel applies inside any inter RF bandwidth gap with a gap size  $W_{\text{gap}} \geq 20$  MHz. The CACLR requirement in subclause 6.6.4.5.4 applies in inter RF bandwidth gaps for the frequency ranges defined in Table 6.6.4.5.4-1.

#### 6.6.4.5.3 UTRA TDD test requirement

For UTRA TDD, the test requirement is specified in TS 25.142 [12] subclause 6.6.2.2.5, and applies outside the RF bandwidth edges.

#### 6.6.4.5.4 Cumulative ACLR requirement in non-contiguous spectrum

The following test requirement applies for sub-block or inter RF bandwidth gap sizes listed in Table 6.6.4.5.4-1,

- Inside a sub-block gap within an operating band for a BS operating in non-contiguous spectrum.
- Inside an inter RF bandwidth gap for a BS operating in multiple bands, where multiple bands are mapped on the same antenna connector.

The Cumulative Adjacent Channel Leakage power Ratio (CACLR) in a sub-block gap or the inter RF bandwidth gap is the ratio of

- a) the sum of the filtered mean power centred on the assigned channel frequencies for the two carriers adjacent to each side of the sub-block gap or the inter RF bandwidth gap, and
- b) the filtered mean power centred on a frequency channel adjacent to one of the respective sub-block edges or RF bandwidth edges.

The requirement applies to adjacent channels of E-UTRA or UTRA carriers allocated adjacent to each side of the sub-block gap or the inter RF bandwidth gap. The assumed filter for the adjacent channel frequency is defined in Table 6.6.4.5.4-1 and the filters on the assigned channels are defined in Table 6.6.4.5.4-2.

NOTE: If the RAT on the assigned channel frequencies is different, the filters used are also different.

For Wide Area Category A BS, either the CACLR limits in Table 6.6.4.5.4-1 or the absolute limit of -13dBm/MHz apply, whichever is less stringent.

For Wide Area Category B BS, either the CACLR limits in Table 6.6.4.5.4-1 or the absolute limit of -15dBm/MHz apply, whichever is less stringent.

For Medium Range BS, either the CACLR limits in Table 6.6.4.4-1 or the absolute limit of -25 dBm/MHz shall apply, whichever is less stringent.

For Local Area BS, either the CA CLR limits in Table 6.6.4.4-1 or the absolute limit of -32 dBm/MHz shall apply, whichever is less stringent.

The CA CLR for E-UTRA and UTRA carriers located on either side of the sub-block gap or the inter RF bandwidth gap shall be higher than the value specified in Table 6.6.4.5.4-1.

**Table 6.6.4.5.4-1: Base Station CA CLR in non-contiguous spectrum or multiple bands**

| Band Category  | Sub-block or inter RF bandwidth gap size ( $W_{\text{gap}}$ ) where the limit applies | BS adjacent channel centre frequency offset below or above the sub-block edge or the RF bandwidth edge (inside the gap) | Assumed adjacent channel carrier (informative) | Filter on the adjacent channel frequency and corresponding filter bandwidth | CA CLR limit |
|--|---|---|--|---|--------------|
| BC1, BC2   | $5 \text{ MHz} \leq W_{\text{gap}} < 15 \text{ MHz}$                                  | 2.5 MHz   | 3.84 Mcps UTRA                                 | RRC (3.84 Mcps)   | 44.2 dB      |
| BC1, BC2   | $10 \text{ MHz} \leq W_{\text{gap}} < 20 \text{ MHz}$                                 | 7.5 MHz   | 3.84 Mcps UTRA                                 | RRC (3.84 Mcps)   | 44.2 dB      |
| BC3  | $5 \text{ MHz} \leq W_{\text{gap}} < 15 \text{ MHz}$                                  | 2.5 MHz   | 5MHz E-UTRA                                    | Square ( $BW_{\text{Config}}$ )   | 44.2 dB      |
| BC3  | $10 \text{ MHz} < W_{\text{gap}} < 20 \text{ MHz}$                                    | 7.5 MHz   | 5MHz E-UTRA                                    | Square ( $BW_{\text{Config}}$ )   | 44.2 dB      |
| NOTE: For BC1 and BC2 the RRC filter shall be equivalent to the transmit pulse shape filter defined in TS 25.104 [3], with a chip rate as defined in this table. |   |   |  |   |              |

**Table 6.6.4.5.4-2: Filter parameters for the assigned channel**

| RAT of the carrier adjacent to the sub-block or inter RF bandwidth gap   | Filter on the assigned channel frequency and corresponding filter bandwidth |
|--|---|
| E-UTRA   | E-UTRA of same BW   |
| UTRA FDD   | RRC (3.84 Mcps)   |
| NOTE: The RRC filter shall be equivalent to the transmit pulse shape filter defined in TS 25.104 [3], with a chip rate as defined in this table. |   |

## 6.7 Transmitter intermodulation

### 6.7.1 Definition and applicability

The transmitter intermodulation requirement is a measure of the capability of the transmitter to inhibit the generation of signals in its non linear elements caused by presence of the own transmit signal and an interfering signal reaching the transmitter via the antenna. The requirement applies during the transmitter ON period and the transmitter transient period. The transmitter intermodulation level is the power of the intermodulation products when an interfering signal is injected into the antenna connector.

For BS capable of multi-band operation where multiple bands are mapped on separate antenna connectors, the single-band requirements apply regardless of the interfering signals position relative to the inter-RF bandwidth gap.

In case the test signal in clause 5 refer to single-RAT specifications following shall apply:

- For references to TS 25.141 [10], the method of test is specified in TS 25.141 [10], subclause 6.6.4.
- For references to TS 25.142 [12], the method of test is specified in TS 25.142 [12], subclause 6.7.4.
- For references to TS 36.141 [9], the method of test is specified in TS 36.141 [9], subclause 6.7.4.

NOTE: In this case the test requirements of the present document defined in subclauses 6.6.2.5 and 6.6.4.5 apply.



- For GSM/EDGE single-RAT requirements, the method of test is specified in TS 51.021 [11], applicable parts of subclauses 6.7 and 6.11.

NOTE: In this case the test requirements of 51.021 [11] defined in the applicable subclauses 6.7.3, 6.7.4, 6.11.3 and 6.11.4 apply.

## 6.7.2 Minimum requirement

The minimum requirement is in TS 37.104 [2] subclause 6.7.1, 6.7.2 and 6.7.3.

## 6.7.2A Additional requirement for Band 41

The additional requirement for Band 41 in certain regions is in TS 37.104 [2] subclause 6.7.4.

## 6.7.3 Test purpose

The test purpose is to verify the ability of the MSR BS transmitter to restrict the generation of intermodulation products in its non linear elements caused by presence of the wanted signal and an interfering signal reaching the transmitter via the antenna to below specified levels.

## 6.7.4 Method of test

### 6.7.4.1 Initial conditions

Test environment: normal; see Annex B.2.

RF bandwidth position to be tested: according to the initial conditions specified in subclauses 6.6.1, 6.6.2 and 6.6.4.

Connect the signal analyzer to the Base Station antenna connector as shown in Annex D.1.2.

### 6.7.4.2 Procedure

#### 6.7.4.2.1 General minimum requirement test procedure

- 1) Set the BS to transmit the test signal according to clause 5 at maximum output power according to the applicable test configuration.
- 2) Generate the interfering signal using E-TM1.1 as defined in as defined in TS 36.141 [9] subclause 6.1.1.1, with 5 MHz channel bandwidth, at a centre frequency offset according to the conditions in Table 6.7.1-1 in TS 37.104 [2], but exclude interference frequencies that are outside of the allocated downlink operating band or interfering frequencies that are not completely within the sub-block gap.
- 3) Adjust ATT1 so that level of the E-UTRA modulated interfering signal is as defined in subclause in Table 6.7.1-1 in TS 37.104 [2].
- 4) If the test signal is applicable according to clause 5, perform the Out-of-band emission tests as specified in subclauses 6.6.2 and 6.6.4, for all third and fifth order intermodulation products which appear in the frequency ranges defined in subclauses 6.6.2 and 6.6.4. The width of the intermodulation products shall be taken into account.
- 5) If the test signal is applicable according to clause 5, perform the Transmitter spurious emissions test as specified in subclause 6.6.1, for all third and fifth order intermodulation products which appear in the frequency ranges defined in subclause 6.6.1. The width of the intermodulation products shall be taken into account.
- 6) Verify that the emission level does not exceed the required level with the exception of interfering signal frequencies.
- 7) Repeat the test for the remaining interfering signal centre frequency offset s according to the conditions of Table 6.7.1-1 in TS 37.104 [2].
- 8) Repeat the test for the remaining test signals defined in clause 5 for requirements 6.6.1, 6.6.2 and 6.6.4.

In addition, for a multi-band capable BS, the following steps shall apply:

- 9) For multi-band capable BS and single band tests, repeat the steps above per involved band where single band test configurations and test models shall apply with no carrier activated in the other band.
- 10) For multi-band capable BS with separate antenna connector, the antenna connector not being under test shall be terminated.

NOTE: The third order intermodulation products are centred at  $2F1 \pm F2$  and  $2F2 \pm F1$ . The fifth order intermodulation products are centred at  $3F1 \pm 2F2$ ,  $3F2 \pm 2F1$ ,  $4F1 \pm F2$ , and  $4F2 \pm F1$  where  $F1$  represents the test signal centre frequency or centre frequency of each sub-block in case of the interfering signal is located inside the sub-block gap and  $F2$  represents the interfering signal centre frequency. The widths of intermodulation products are

- $(n \cdot BW_{F1} + m \cdot 5\text{MHz})$  for the  $nF1 \pm mF2$  products
- $(n \cdot 5\text{MHz} + m \cdot BW_{F1})$  for the  $nF2 \pm mF1$  products

where  $BW_{F1}$  represents the test signal RF bandwidth, or channel bandwidth in case of single carrier, or sub-block bandwidth in case of the interfering signal is located inside the sub-block gap.

#### 6.7.4.2.2 Additional minimum requirement (BC1 and BC2) test procedure

- 1) Set the BS to transmit the test signal according to clause 5 at maximum output power according to the applicable test configuration.
- 2) Generate a CW signal as the interfering signal with a centre frequency offset of 0.8 MHz, but exclude interference frequencies that are outside of the allocated downlink operating band or interfering frequencies in a sub-block gap, in case the gap is smaller than two times the interfering signal centre frequency offset.
- 3) Adjust ATT1 so that level of the interfering signal is as defined in Table 6.7.2-1 in TS 37.104 [2].
- 4) If the test signal is applicable according to clause 5, perform the Out-of-band emission tests as specified in subclauses 6.6.2 and 6.6.4, for all third and fifth order intermodulation products which appear in the frequency ranges defined in subclauses 6.6.2 and 6.6.4.
- 5) If the test signal is applicable according to clause 5, perform the Transmitter spurious emissions test as specified in subclause 6.6.1, for all third and fifth order intermodulation products which appear in the frequency ranges defined in subclause 6.6.1.
- 6) Verify that the emission level does not exceed the required level with the exception of interfering signal frequencies.
- 7) Repeat the test for interfering signal centre frequency offsets of 2.0MHz, 3.2MHz and 6.2MHz.
- 8) Repeat the test for the remaining test signals defined in clause 5 for requirements 6.6.1, 6.6.2 and 6.6.4.

In addition, for a multi-band capable BS, the following steps shall apply:

- 9) For multi-band capable BS and single band tests, repeat the steps above per involved band where single band test configurations and test models shall apply with no carrier activated in the other band.
- 10) For multi-band capable BS with separate antenna connector, the antenna connector not being under test shall be terminated.

NOTE: The third order intermodulation products are centred at  $2F1 \pm F2$  and  $2F2 \pm F1$ . The fifth order intermodulation products are centred at  $3F1 \pm 2F2$ ,  $3F2 \pm 2F1$ ,  $4F1 \pm F2$ , and  $4F2 \pm F1$  where  $F1$  represents the test signal centre frequency or centre frequency of each sub-block in case of the interfering signal is located inside the sub-block gap and  $F2$  represents the interfering signal centre frequency. The widths of intermodulation products are

- $(n \cdot BW_{F1})$  for the  $nF1 \pm mF2$  products
- $(m \cdot BW_{F1})$  for the  $nF2 \pm mF1$  products

where  $BW_{F1}$  represents the test signal RF bandwidth or channel bandwidth in case of single carrier, or sub-block bandwidth in case of the interfering signal is located inside the sub-block gap.

#### 6.7.4.2.3 Additional minimum requirement (BC3) test procedure

- 1) Set the BS to transmit the test signal according to clause 5 at maximum output power according to the applicable test configuration.
- 2) Generate the interfering signal according to Table 6.38A in TS 25.142 [12] at a centre frequency offset according to the conditions in Table 6.7.3-1 in TS 37.104 [2], but exclude interference frequencies that are outside of the allocated downlink operating band.
- 3) Adjust ATT1 so that level of the modulated interfering signal is as defined in Table 6.7.3-1 in TS 37.104 [2].
- 4) If the test signal is applicable according to clause 5, perform the Out-of-band emission tests as specified in subclauses 6.6.2 and 6.6.4, for all third and fifth order intermodulation products which appear in the frequency ranges defined in subclauses 6.6.2 and 6.6.4. The width of the intermodulation products shall be taken into account.
- 5) If the test signal is applicable according to clause 5, perform the Transmitter spurious emissions test as specified in subclause 6.6.1, for all third and fifth order intermodulation products which appear in the frequency ranges defined in subclause 6.6.1. The width of the intermodulation products shall be taken into account.
- 6) Verify that the emission level does not exceed the required level with the exception of interfering signal frequencies.
- 7) Repeat the test for the remaining interfering signal centre frequency offsets according to the conditions of Table 6.7.3-1 in TS 37.104 [2].
- 8) Repeat the test for the remaining test signals and physical channels in Table 4.9.2-1.

In addition, for a multi-band capable BS, the following steps shall apply:

- 9) For multi-band capable BS and single band tests, repeat the steps above per involved band where single band test configurations and test models shall apply with no carrier activated in the other band.
- 10) For multi-band capable BS with separate antenna connector, the antenna connector not being under test shall be terminated.

NOTE: The third order intermodulation products are centred at  $2F1 \pm F2$  and  $2F2 \pm F1$ . The fifth order intermodulation products are centred at  $3F1 \pm 2F2$ ,  $3F2 \pm 2F1$ ,  $4F1 \pm F2$ , and  $4F2 \pm F1$  where  $F1$  represents the test signal centre frequency and  $F2$  represents the interfering signal centre frequency. The widths of intermodulation products are

- $(n \cdot BW_{F1} + m \cdot 1.6\text{MHz})$  for the  $nF1 \pm mF2$  products
- $(n \cdot 1.6\text{MHz} + m \cdot BW_{F1})$  for the  $nF2 \pm mF1$  products

where  $BW_{F1}$  represents the test signal RF bandwidth or channel bandwidth in case of single carrier.

## 6.7.5 Test requirements

### 6.7.5.1 General test requirement

In the frequency range relevant for this test, the transmitter intermodulation level shall not exceed the unwanted emission limits in subclause 6.6.1, 6.6.2 and 6.6.4 in the presence of a wanted signal and an interfering signal according to Table 6.7.1-1 in TS 37.104 [2] for BS operation in BC1, BC2 and BC3. The measurement may be limited to frequencies on which third and fifth order intermodulation products appear, considering the width of these products.

The requirement is always applicable outside the edges of the RF bandwidth. The interfering signal offset is defined relative to the RF bandwidth edges.

For BS operating in non-contiguous spectrum, the requirement is also applicable inside a sub-block gap for interfering signal offsets where the interfering signal falls completely within the sub-block gap. The interfering signal offset is defined relative to the sub-block edges.

For BS capable of multi-band operation, the requirement applies relative to the RF bandwidth edges of each operating band. In case the inter RF bandwidth gap is less than 15 MHz, the requirement in the gap applies only for interfering signal offsets where the interfering signal falls completely within the inter RF bandwidth gap.

### 6.7.5.2 Additional test requirement (BC1 and BC2)

In the frequency range relevant for this test, the transmitter intermodulation level shall not exceed the unwanted emission limits in subclause 6.6.1, 6.6.2 and 6.6.4 in the presence of a wanted signal and an interfering signal according to Table 6.7.2-1 in TS 37.104 [2] for BS operation in BC2. The measurement may be limited to frequencies on which third and fifth order intermodulation products appear, considering the width of these products.

The requirement is always applicable outside the edges of the RF bandwidth for BC2. The interfering signal offset is defined relative to the RF bandwidth edges.

For BS operating in non-contiguous spectrum in BC1 or BC2, the requirement is also applicable inside a sub-block gap larger than or equal to two times the interfering signal centre frequency offset. For BS operating in non-contiguous spectrum in BC1, the requirement is not applicable inside a sub-block gap with a gap size equal or larger than 5MHz. The interfering signal offset is defined relative to the sub-block edges.

For BS capable of multi-band operation, the requirement applies relative to the RF bandwidth edges of a BC2 operating band. The requirement is also applicable for BC1 and BC2 inside an inter RF bandwidth gap equal to or larger than two times the interfering signal centre frequency offset. For BS capable of multi-band operation, the requirement is not applicable for BC1 band inside an inter RF bandwidth gap with a gap size equal to or larger than 5MHz.

### 6.7.5.3 Additional test requirement (BC3)

In the frequency range relevant for this test, the transmitter intermodulation level shall not exceed the unwanted emission limits in subclause 6.6.1, 6.6.2 and 6.6.4 in the presence of a wanted signal and an interfering signal according to Table 6.7.3-1 in TS 37.104 [2] for BS operation in BC3. The measurement may be limited to frequencies on which third and fifth order intermodulation products appear, considering the width of these products.

For BS capable of multi-band operation, the requirement applies relative to the RF bandwidth edges of each operating band. In case the inter RF bandwidth gap is less than 3.2 MHz, the requirement in the gap applies only for interfering signal offsets where the interfering signal falls completely within the inter RF bandwidth gap.

### 6.7.5.4 Additional test requirement for Band 41

In the frequency range relevant for this test, the transmitter intermodulation level shall not exceed the maximum levels according to Table 6.6.1.5.5-3, Table 6.6.2.5.4.5-1 and Table 6.6.4.5.1-2 with a square filter in the first adjacent channel, in the presence of a wanted signal and an interfering signal according to Table 6.7.4-1 in TS 37.104 [2] for a BS operating in Band 41. The measurement may be limited to frequencies on which third and fifth order intermodulation products appear, considering the width of these products.

---

## 7 Receiver characteristics

### 7.1 General

General test conditions for receiver tests are given in clause 4, including interpretation of measurement results and configurations for testing. BS configurations for the tests are defined in subclause 4.10.

Unless otherwise stated the requirements in clause 7 apply during the Base Station receive period.

## 7.2 Reference sensitivity level

### 7.2.1 Definition and applicability

The reference sensitivity power level PREFSENS is the minimum mean power received at the antenna connector at which a reference performance requirement shall be met for a specified reference measurement channel.

Additional details are in TS 36.141 [9] subclause 7.2, TS 25.141 [10] subclause 7.2, TS 25.142 [12] subclause 7.2, and TS 51.021 [11] subclauses 7.3 and 7.4.

### 7.2.2 Minimum requirement

The minimum requirement is in TS 37.104 [2] subclauses 7.2.1, 7.2.2, 7.2.3, and 7.2.4.

### 7.2.3 Test purpose

To verify that at the BS Reference sensitivity level the performance requirements shall be met for a specified reference measurement channel.

### 7.2.4 Method of test

For this requirement Tables 5.1-1 and 5.2-1 refer to single-RAT specifications; see clause 5. The following shall apply:

- For references to TS 51.021 [11], the method of test is specified in TS 51.021 [11], subclauses 7.3 and 7.4.
- For references to TS 25.141 [10], the method of test is specified in TS 25.141 [10], subclause 7.2.4.
- For references to TS 25.142 [12], the method of test is specified in TS 25.142 [12], subclause 7.2.4.
- For references to TS 36.141 [9], the method of test is specified in TS 36.141 [9], subclause 7.2.4.

In addition, for a multi-band capable BS, the following steps shall apply:

- For multi-band capable BS and single band tests, repeat the tests per involved band where single carrier test models shall apply with no carrier activated in the other band.
- For multi-band capable BS with separate antenna connector, the antenna connector not being under test shall be terminated.

### 7.2.5 Test requirements

For E-UTRA the test requirement is in TS 36.141 [9] subclause 7.2.5.

For UTRA-FDD the test requirement is in TS 25.141 [10] subclause 7.2.5.

For UTRA-TDD the test requirement is in TS 25.142 [12] subclause 7.2.5.

For GSM-EDGE the test requirement is in TS 51.021 [11] subclauses 7.3 and 7.4.

## 7.3 Dynamic range

### 7.3.1 Definition and applicability

The dynamic range is a measure of the capability of the receiver to receive a wanted signal in the presence of an interfering signal inside the received channel bandwidth or the capability of receiving high level of the wanted signal.

### 7.3.2 Minimum requirement

The minimum requirement is in TS 37.104 [2] subclauses 7.3.1, 7.3.2, 7.3.3, and 7.3.4.

### 7.3.3 Test purpose

To verify that at the BS receiver dynamic range, the receiver performance shall fulfil the specified limit.

### 7.3.4 Method of test

For this requirement Tables 5.1-1 and 5.2-1 refer to single-RAT specifications; see clause 5. The following shall apply:

- For references to TS 51.021 [11], the method of test is specified in TS 51.021 [11], subclause 7.1.
- For references to TS 25.141 [10], the method of test is specified in TS 25.141 [10], subclause 7.3.4.
- For references to TS 25.142 [12], the method of test is specified in TS 25.142 [12], subclause 7.3.4.
- For references to TS 36.141 [9], the method of test is specified in TS 36.141 [9], subclause 7.3.4.

In addition, for a multi-band capable BS, the following steps shall apply:

- For multi-band capable BS and single band tests, repeat the tests per involved band with no carrier activated in the other band.
- For multi-band capable BS with separate antenna connector, the antenna connector not being under test shall be terminated.

### 7.3.5 Test requirements

For E-UTRA the test requirement is in TS 36.141 [9] subclause 7.3.5.

For UTRA-FDD the test requirement is in TS 25.141 [10] subclause 7.3.5.

For UTRA-TDD the test requirement is in TS 25.142 [12] subclause 7.3.5.

For GSM-EDGE the test requirement is in TS 51.021 [11] subclause 7.1.

## 7.4 In-band selectivity and blocking

### 7.4.1 Definition and applicability

The in-band selectivity and blocking characteristics are measures of the receiver ability to receive a wanted signal at its assigned channel in the presence of an unwanted interferer inside the operating band and are defined by a wideband and a narrowband blocking requirement.

### 7.4.2 Minimum requirement

The minimum requirement is in TS 37.104 [2] subclauses 7.4.1, 7.4.2, 7.4.3, 7.4.4, and 7.4.5.

### 7.4.3 Test purpose

The test stresses the ability of the BS receiver to withstand high-level interference from unwanted signals at specified frequency offsets without undue degradation of its sensitivity.

### 7.4.4 Method of test

#### 7.4.4.1 Initial conditions

Test environment: Normal; see Annex B.2.

RF bandwidth positions to be tested:  $M_{\text{RFBW}}$  in single-band operation, see subclause 4.9.1,  $B_{\text{RFBW\_T}}^{\text{RFBW}}$  and  $B_{\text{RFBW\_T}}^{\text{RFBW}}$  in multi-band operation, see subclause 4.9.1.

- 1) Set up the equipment as shown in Annex D.2.1.
- 2) Generate the wanted signal according to the applicable test configuration (see clause 5) using applicable reference measurement channel to the BS under test as follows:
  - For E-UTRA see Annex A.1 in TS 36.141 [9].
  - For UTRA FDD see Annex A.2 in TS 25.141 [10].
  - For UTRA TDD see Annex A.2.1 in TS 25.142 [12].
  - For GSM see subclause 7.6.2 in TS 51.021 [11] and Annex P in TS 45.005 [6] for reference channels to test.

#### 7.4.4.2 Procedure for general blocking

- 1) Set the BS to transmit with the carrier set-up and power allocation according to the applicable test configuration(s) (see clause 5).
- 2) Adjust the signal generators to the type of interfering signal, levels and the frequency offsets as specified in Table 7.4.5.1-1.
- 3) The interfering signal shall be swept with a step size of 1 MHz starting from the minimum offset to the channel edges of the wanted signals as specified in Table 7.4.5.1-1
- 4) Measure the performance of the wanted signal at the BS receiver, as defined in subclause 7.4.5, for the relevant carriers specified by the test configuration in subclause 4.8.

In addition, for a multi-band capable BS with separate antenna connectors, the following steps shall apply:

- 5) For single band tests, repeat the steps above per involved band where single band test configurations and test models shall apply with no carrier activated in the other band.
- 6) For multi-band tests, the interfering signal shall first be applied on the same port as the wanted signal. The test shall be repeated with the interfering signal applied on the other port (if any) mapped to the same receiver as wanted signal. Any antenna connector with no signal applied shall be terminated.
- 7) Repeat step 6 with the wanted signal for the other band(s) applied on the respective port(s).

#### 7.4.4.3 Procedure for narrowband blocking

- 1) Set the BS to transmit with the carrier set-up and power allocation according to the applicable test configuration(s) (see clause 5).
- 2) Adjust the signal generators to the type of interfering signal, levels and the frequency offsets as specified in Table 7.4.5.2-1
- 3) Set-up and sweep the interfering RB centre frequency offset to the channel edge of the wanted signal according to Table 7.4.5.2-1.
- 4) Measure the performance of the wanted signal at the BS receiver, as defined in subclause 7.4.5, for the relevant carriers specified by the test configuration in subclause 4.8.

In addition, for a multi-band capable BS with separate antenna connectors, the following steps shall apply:

- 5) For single band tests, repeat the steps above per involved band where single band test configurations and test models shall apply with no carrier activated in the other band.
- 6) For multi-band tests, the interfering signal shall first be applied on the same port as the wanted signal. The test shall be repeated with the interfering signal applied on the other port (if any) mapped to the same receiver as the wanted signal. Any antenna connector with no signal applied shall be terminated.
- 7) Repeat step 6 with the wanted signal for the other band(s) applied on the respective port(s).

#### 7.4.4.4 Procedure for additional narrowband blocking for GSM/EDGE

The GSM/EDGE in-band blocking method of test is stated in TS 51.021 [11], applicable parts of subclause 7.6.

The conditions specified in TS 45.005 [6], Annex P.2.1 apply for GSM/EDGE in-band narrowband blocking.

In addition, for multi-band capable BS and single band tests, repeat the procedure above per involved band where single band test configurations and test models shall apply with no carrier activated in the other band. Any antenna connector with no signal applied shall be terminated.

#### 7.4.4.5 Procedure for GSM/EDGE AM suppression

The GSM/EDGE in-band blocking method of test is stated in TS 51.021 [11], applicable parts of subclause 7.8.

The conditions specified in TS 45.005 [6], Annex P.2.3 apply for GSM/EDGE AM suppression.

In addition, for multi-band capable BS and single band tests, repeat the procedure above per involved band where single band test configurations and test models shall apply with no carrier activated in the other band. Any antenna connector with no signal applied shall be terminated.

#### 7.4.4.6 Procedure for additional BC3 blocking requirement

- 1) Adjust the signal generators to the type of interfering signal, levels and the frequency offsets as specified in Table 7.4.5.5-1
- 2) Measure the performance of the wanted signal at the BS receiver, as defined in subclause 7.4.5, for the relevant carriers specified by the test configuration in subclause 4.8.

### 7.4.5 Test requirements

#### 7.4.5.1 General blocking test requirement

For the general blocking requirement, the interfering signal shall be a UTRA FDD signal as specified in Annex A.1.

The requirement is always applicable outside the edges of the RF bandwidth or maximum radio bandwidth. The interfering signal offset is defined relative to the RF bandwidth or maximum radio bandwidth edges.

For BS operating in non-contiguous spectrum, the requirement applies in addition inside any sub-block gap, in case the sub-block gap size is at least 15MHz. The interfering signal offset is defined relative to the sub-block edges inside the sub-block gap.

For BS capable of multi-band operation, the requirement applies in addition inside any inter RF bandwidth gap, in case the gap size is at least 15MHz. The interfering signal offset is defined relative to the RF bandwidth edges inside the inter RF bandwidth gap.

For the wanted and interfering signal coupled to the Base Station antenna input, using the parameters in Table 7.4.5.1-1 and 7.4.5.1-2, the following requirements shall be met:

- For any measured E-UTRA carrier, the throughput shall be  $\geq 95\%$  of the maximum throughput of the reference measurement channel defined in TS 36.104 [5], subclause 7.2.
- For any measured UTRA FDD carrier, the BER shall not exceed 0.001 for the reference measurement channel defined in TS 25.104 [3], subclause 7.2.
- For any measured UTRA TDD carrier, the BER shall not exceed 0.001 for the reference measurement channel defined in TS 25.105 [4], subclause 7.2.
- For any measured GSM/EDGE carrier, the conditions are specified in TS 45.005 [6], Annex P.2.1.

For BS capable of multi-band operation, the requirement applies according to Table 7.4.5.1-1 for the in-band blocking frequency ranges of each supported operating band.



Table 7.4.5.1-1: General blocking requirement

| Base Station Type   | Mean power of interfering signal [dBm] | Wanted Signal mean power [dBm] (Note 1) | Centre Frequency of Interfering Signal | Interfering signal centre frequency minimum frequency offset from the RF bandwidth edge or edge of sub-block inside a gap [MHz] |
|---|--|---|--|---|
| Wide Area BS  | -40                                    | $P_{\text{REFSENS}} + x$ dB (Note 2)    | See Table 7.4.5.1-2                    | $\pm 7.5$   |
| Medium Range BS   | -35                                    | $P_{\text{REFSENS}} + x$ dB (Note 3)    |  |   |
| Local Area BS   | -30                                    | $P_{\text{REFSENS}} + x$ dB (Note 4)    |  |   |
| <p>NOTE 1: <math>P_{\text{REFSENS}}</math> depends on the RAT, the BS class and on the channel bandwidth, see subclause 7.2 in TS 37.104.</p> <p>NOTE 2: For WA BS, 'x' is equal to 6 in case of E-UTRA or UTRA wanted signals and equal to 3 in case of GSM/EDGE wanted signal.</p> <p>NOTE 3: For MR BS, 'x' is equal to 6 in case of UTRA wanted signals, 9 in case of E-UTRA wanted signal and 3 in case of GSM/EDGE wanted signal.</p> <p>NOTE 4: For LA BS, 'x' is equal to 11 in case of E-UTRA wanted signal, 6 in case of UTRA wanted signal and equal to 3 in case of GSM/EDGE wanted signal.</p> <p>NOTE 5: For a BS capable of multi-band operation, 'x' in Note 2, 3, 4 apply in case of interfering signals that are in the in-band blocking frequency range of the operating band where the wanted signal is present. For other in-band blocking frequency ranges of the interfering signal for the supported operating bands, 'x' is equal to 1.4 dB.</p> |  |   |  |   |

Table 7.4.5.1-2: Interfering signal for the general blocking requirement

| Operating Band Number                               | Centre Frequency of Interfering Signal [MHz]                |
|---|---|
| 1-7, 9-11, 13, 14, 18, 19, 21-23, 24, 27, 30, 33-44 | $(F_{\text{UL\_low}} - 20)$ to $(F_{\text{UL\_high}} + 20)$ |
| 8, 26, 28   | $(F_{\text{UL\_low}} - 20)$ to $(F_{\text{UL\_high}} + 10)$ |
| 12  | $(F_{\text{UL\_low}} - 20)$ to $(F_{\text{UL\_high}} + 13)$ |
| 17  | $(F_{\text{UL\_low}} - 20)$ to $(F_{\text{UL\_high}} + 18)$ |
| 20  | $(F_{\text{UL\_low}} - 11)$ to $(F_{\text{UL\_high}} + 20)$ |
| 25  | $(F_{\text{UL\_low}} - 20)$ to $(F_{\text{UL\_high}} + 15)$ |
| 31  | $(F_{\text{UL\_low}} - 20)$ to $(F_{\text{UL\_high}} + 5)$  |

NOTE: The requirement in Table 7.4.5.1-1 and 7.4.5.1-2 assumes that two operating bands, where the downlink operating band (see Table 4.4-1 and Table 4.4-2) of one band would be within the in-band blocking region of the other band, are not deployed in the same geographical area.

### 7.4.5.2 General narrowband blocking test requirement

For the narrowband blocking requirement, the interfering signal shall be an E-UTRA 1RB signal as specified in Annex A.3.

The requirement is always applicable outside the edges of the RF bandwidth or maximum radio bandwidth. The interfering signal offset is defined relative to the RF bandwidth or maximum radio bandwidth edges.

For BS operating in non-contiguous spectrum, the requirement applies in addition inside any sub-block gap, in case the sub-block gap size is at least 3MHz. The interfering signal offset is defined relative to the sub-block edges inside the sub-block gap.

For BS capable of multi-band operation, the requirement applies in addition inside any inter RF bandwidth gap in case the gap size is at least 3MHz. The interfering signal offset is defined relative to the RF bandwidth edges inside the inter RF bandwidth gap.

For the wanted and interfering signal coupled to the Base Station antenna input, using the parameters in Table 7.4.5.2-1 the following requirements shall be met:

- For any measured E-UTRA carrier, the throughput shall be  $\geq 95\%$  of the maximum throughput of the reference measurement channel defined in TS 36.104 [5], subclause 7.2.
- For any measured UTRA FDD carrier, the BER shall not exceed 0.001 for the reference measurement channel defined in TS 25.104 [3], subclause 7.2.
- For any measured UTRA TDD carrier, the BER shall not exceed 0.001 for the reference measurement channel defined in TS 25.105 [4], subclause 7.2.
- For any measured GSM/EDGE carrier, the conditions are specified in TS 45.005 [6], Annex P.2.1.

**Table 7.4.5.2-1: Narrowband blocking requirement**

| Base Station Type  | RAT of the carrier        | Wanted signal mean power [dBm] (Note 1) | Interfering signal mean power [dBm] | Interfering RB (Note 3) centre frequency offset from the RF bandwidth edge or edge of sub-block inside a gap [kHz] |
|--|---------------------------|---|-------------------------------------|--|
| Wide Area BS   | E-UTRA, UTRA and GSM/EDGE | $P_{\text{REFSENS}} + x$ dB (Note 2)    | -49                                 | $\pm(240 + m \cdot 180)$ ,<br>$m=0, 1, 2, 3, 4, 9, 14$   |
| Medium Range BS  |                           |   | -44                                 |  |
| Local Area BS  |                           |   | -41                                 |  |
| NOTE 1: $P_{\text{REFSENS}}$ depends on the RAT, the BS class and on the channel bandwidth, see subclause 7.2 in TS 37.104.  |                           |   |                                     |  |
| NOTE 2: 'x' is equal to 6 in case of E-UTRA or UTRA wanted signals and equal to 3 in case of GSM/EDGE wanted signal.   |                           |   |                                     |  |
| NOTE 3: Interfering signal (E-UTRA 3MHz) consisting of one resource block positioned at the stated offset, the channel bandwidth of the interfering signal is located adjacently to the RF bandwidth edge. |                           |   |                                     |  |

### 7.4.5.3 Additional narrowband blocking test requirement for GSM/EDGE

The GSM/EDGE in-band blocking test requirements are stated in TS 51.021 [11], applicable parts of subclause 7.6.

The conditions specified in TS 45.005 [6], Annex P.2.1 apply for GSM/EDGE in-band narrowband blocking.

### 7.4.5.4 GSM/EDGE test requirements for AM suppression

The GSM/EDGE in-band blocking test requirements are stated in TS 51.021 [11], applicable parts of subclause 7.8.

The conditions specified in TS 45.005 [6], Annex P.2.3 apply for GSM/EDGE AM suppression.

### 7.4.5.5 Additional BC3 blocking test requirement

The interfering signal is a 1.28Mcps UTRA TDD modulated signal as specified in Annex A.2.

The requirement is always applicable outside the edges of the RF bandwidth or maximum radio bandwidth. The interfering signal offset is defined relative to the RF bandwidth or maximum radio bandwidth edges.

For BS capable of multi-band operation, the requirement applies in addition inside any inter RF bandwidth gap, in case the gap size is at least 4.8MHz. The interfering signal offset is defined relative to the RF bandwidth edges inside the inter RF bandwidth gap.

For the wanted and interfering signal coupled to the Base Station antenna input, using the parameters in Table 7.4.5.5-1, the following requirements shall be met:

- For any measured E-UTRA TDD carrier, the throughput shall be  $\geq 95\%$  of the maximum throughput of the reference measurement channel defined in TS 36.104 [5], subclause 7.2.
- For any measured UTRA TDD carrier, the BER shall not exceed 0.001 for the reference measurement channel defined in TS 25.105 [4], subclause 7.2.

**Table 7.4.5.5-1: Additional blocking requirement for Band Category 3**

| Operating Band   | Centre Frequency of Interfering Signal [MHz]  | Interfering Signal mean power [dBm] | Wanted Signal mean power [dBm] | Interfering signal centre frequency minimum frequency offset from the RF bandwidth edge [MHz] |
|--|---|-------------------------------------|--------------------------------|---|
| 33 - 40  | $(F_{UL\_low} - 20)$ to $(F_{UL\_high} + 20)$ | -40,                                | $P_{REFSENS} + 6$ dB*          | $\pm 2.4$   |
| NOTE*: $P_{REFSENS}$ depends on the RAT and on the channel bandwidth, see section 7.2. |   |                                     |                                |   |

## 7.5 Out-of-band blocking

### 7.5.1 Definition and applicability

The Out-of-band blocking characteristic is a measure of the receiver ability to receive a wanted signal at its assigned channel in the presence of an unwanted interferer outside the uplink operating band.

The blocking performance requirement applies as specified in the Table 7.5.5.1-1 and Table 7.5.5.2-1.

### 7.5.2 Minimum requirement

The general minimum requirement is in TS 37.104 [2] subclause 7.5.1. The co-location minimum requirement is in TS 37.104 [2] subclause 7.5.2.

### 7.5.3 Test purpose

The test stresses the ability of the BS receiver to withstand high-level interference from unwanted signals at specified frequency bands, without undue degradation of its sensitivity.

### 7.5.4 Method of test

#### 7.5.4.1 Initial conditions

Test environment: normal; see Annex B.2.

RF bandwidth positions to be tested:  $M_{RFBW}$  in single-band operation, see subclause 4.9.1,  $B_{RFBW\_T''_{RFBW}}$  and  $B''_{RFBW\_T_{RFBW}}$  in multi-band operation, see subclause 4.9.1.

In addition, in multi-band operation:

- For  $B_{RFBW\_T''_{RFBW}}$ , out-of-band blocking testing above the highest operating band may be omitted
- For  $B''_{RFBW\_T_{RFBW}}$ , out-of-band blocking testing below the lowest operating band may be omitted

1) Set up the equipment as shown in Annex D.2.1.

2) Generate the wanted signal according to the applicable test configuration (see clause 5) using reference measurement channel to the BS under test as follows:

- For E-UTRA see Annex A.1 in TS 36.141 [9].
- For UTRA FDD see Annex A.2 in TS 25.141 [10].

- For UTRA TDD see Annex A.2.1 in TS 25.142 [12].
- For GSM see subclause 7.6.2 in TS 51.021 [11] and Annex P in TS 45.005 [6] for reference channels to test.

## 7.5.4.2 Procedure

- 1) Set the BS to transmit with the carrier set-up and power allocation according to the applicable test configuration(s) (see clause 5).

The transmitter may be turned off for the out-of-band blocker tests when the frequency of the blocker is such that no IM2 or IM3 products fall inside the bandwidth of the wanted signal.

- 2) Adjust the signal generators to the type of interfering signals, levels and the frequency offsets as specified for general test requirements in Table 7.5.5.1-1 and, when applicable, for co-location test requirements in Table 7.5.5.2-1.
- 3) The CW interfering signal shall be swept with a step size of 1 MHz within the specified range.
- 4) Measure the performance of the wanted signal at the BS receiver, as defined in the subclause 7.5.5, for the relevant carriers specified by the test configuration in subclause 4.8.

In addition, for a multi-band capable BS with separate antenna connectors, the following steps shall apply:

- 5) For single band tests, repeat the steps above per involved band where single band test configurations and test models shall apply with no carrier activated in the other band.
- 6) For multi-band tests, the interfering signal shall first be applied on the same port as the wanted signal. The test shall be repeated with the interfering signal applied on the other port (if any) mapped to the same receiver as the wanted signal. Any antenna connector with no signal applied shall be terminated.
- 7) Repeat step 6 with the wanted signal for the other band(s) applied on the respective port(s).

## 7.5.5 Test requirements

### 7.5.5.1 General out-of-band blocking test requirements

For a wanted and an interfering signal coupled to BS antenna input using the parameters in Table 7.5.5.1-1, the following requirements shall be met:

- For any measured E-UTRA carrier, the throughput shall be  $\geq 95\%$  of the maximum throughput of the reference measurement channel defined in TS 36.104 [5], subclause 7.2.
- For any measured UTRA FDD carrier, the BER shall not exceed 0.001 for the reference measurement channel defined in TS 25.104 [3], subclause 7.2.
- For any measured UTRA TDD carrier, the BER shall not exceed 0.001 for the reference measurement channel defined in TS 25.105 [4], subclause 7.2.
- For any measured GSM/EDGE carrier, the conditions are specified in TS 45.005 [6], Annex P.2.1.

For BS capable of multi-band operation, the requirement applies for each supported operating band. The in-band blocking frequency ranges of all supported operating bands according to Table 7.4.5.1-2 shall be excluded from the requirement.

Table 7.5.5.1-1: Blocking performance requirement

| Operating Band Number  | Centre Frequency of Interfering Signal [MHz]                          | Interfering Signal mean power [dBm] | Wanted Signal mean power [dBm] | Type of Interfering Signal |
|--|---|-------------------------------------|--------------------------------|----------------------------|
| 1-7, 9-11, 13, 14, 18, 19, 21-23, 24, 27, 30, 33-44  | 1 to (F <sub>UL_low</sub> -20)<br>(F <sub>UL_high</sub> +20) to 12750 | -15                                 | P <sub>REFSENS</sub> + x dB*   | CW carrier                 |
| 8, 26, 28  | 1 to (F <sub>UL_low</sub> -20)<br>(F <sub>UL_high</sub> +10) to 12750 | -15                                 | P <sub>REFSENS</sub> + x dB*   | CW carrier                 |
| 12   | 1 to (F <sub>UL_low</sub> -20)<br>(F <sub>UL_high</sub> +13) to 12750 | -15                                 | P <sub>REFSENS</sub> + x dB*   | CW carrier                 |
| 17   | 1 to (F <sub>UL_low</sub> -20)<br>(F <sub>UL_high</sub> +18) to 12750 | -15                                 | P <sub>REFSENS</sub> + x dB*   | CW carrier                 |
| 20   | 1 to (F <sub>UL_low</sub> -11)<br>(F <sub>UL_high</sub> +20) to 12750 | -15                                 | P <sub>REFSENS</sub> + x dB*   | CW carrier                 |
| 25   | 1 to (F <sub>UL_low</sub> -20)<br>(F <sub>UL_high</sub> +15) to 12750 | -15                                 | P <sub>REFSENS</sub> + x dB*   | CW carrier                 |
| 31   | 1 to (F <sub>UL_low</sub> -20)<br>(F <sub>UL_high</sub> +5) to 12750  | -15                                 | P <sub>REFSENS</sub> + x dB*   | CW carrier                 |
| NOTE*: P <sub>REFSENS</sub> depends on the RAT, the BS class and the channel bandwidth, see subclause 7.2.<br>"x" is equal to 6 in case of E-UTRA or UTRA wanted signals and equal to 3 in case of GSM/EDGE wanted signal. |   |                                     |                                |                            |

### 7.5.5.2 Co-location test requirements

This additional blocking requirement may be applied for the protection of BS receivers when E-UTRA BS, UTRA, CDMA or GSM/EDGE operating in a different frequency band are co-located with a BS.

The requirements in this subclause assume a 30 dB coupling loss between the interfering transmitter and the BS receiver and are based on co-location with base stations of the same class.

For a wanted and an interfering signal coupled to BS antenna input using the parameters in Table 7.5.5.2-1, the following requirements shall be met:

- For any measured E-UTRA carrier, the throughput shall be  $\geq 95\%$  of the maximum throughput of the reference measurement channel defined in TS 36.104 [5], subclause 7.2.
- For any measured UTRA FDD carrier, the BER shall not exceed 0.001 for the reference measurement channel defined in TS 25.104 [3], subclause 7.2.
- For any measured UTRA TDD carrier, the BER shall not exceed 0.001 for the reference measurement channel defined in TS 25.105 [4], subclause 7.2.
- For any measured GSM/EDGE carrier, the conditions are specified in TS 45.005 [6], Annex P.2.1.

Table 7.5.5.2-1: Blocking requirement for co-location with BS in other frequency bands.

| Type of co-located BS                | Centre Frequency of Interfering Signal (MHz) | Interfering Signal mean power for WA BS (dBm) | Interfering Signal mean power for MR BS (dBm) | Interfering Signal mean power for LA BS (dBm) | Wanted Signal mean power (dBm)        | Type of Interfering Signal |
|--------------------------------------|--|---|---|---|---------------------------------------|----------------------------|
| GSM850 or CDMA850                    | 869 – 894                                    | +16   | +8  | -6  | $P_{\text{REFSENS}} + x \text{ dB}^*$ | CW carrier                 |
| GSM900                               | 921 – 960                                    | +16   | +8  | -6  | $P_{\text{REFSENS}} + x \text{ dB}^*$ | CW carrier                 |
| DCS1800                              | 1805 – 1880 (Note 4)                         | +16   | +8  | -6  | $P_{\text{REFSENS}} + x \text{ dB}^*$ | CW carrier                 |
| PCS1900                              | 1930 – 1990                                  | +16   | +8  | -6  | $P_{\text{REFSENS}} + x \text{ dB}^*$ | CW carrier                 |
| UTRA FDD Band I or E-UTRA Band 1     | 2110 – 2170                                  | +16   | +8  | -6  | $P_{\text{REFSENS}} + x \text{ dB}^*$ | CW carrier                 |
| UTRA FDD Band II or E-UTRA Band 2    | 1930 – 1990                                  | +16   | +8  | -6  | $P_{\text{REFSENS}} + x \text{ dB}^*$ | CW carrier                 |
| UTRA FDD Band III or E-UTRA Band 3   | 1805 – 1880 (Note 4)                         | +16   | +8  | -6  | $P_{\text{REFSENS}} + x \text{ dB}^*$ | CW carrier                 |
| UTRA FDD Band IV or E-UTRA Band 4    | 2110 – 2155                                  | +16   | +8  | -6  | $P_{\text{REFSENS}} + x \text{ dB}^*$ | CW carrier                 |
| UTRA FDD Band V or E-UTRA Band 5     | 869 – 894                                    | +16   | +8  | -6  | $P_{\text{REFSENS}} + x \text{ dB}^*$ | CW carrier                 |
| UTRA FDD Band VI or E-UTRA Band 6    | 875 – 885                                    | +16   | +8  | -6  | $P_{\text{REFSENS}} + x \text{ dB}^*$ | CW carrier                 |
| UTRA FDD Band VII or E-UTRA Band 7   | 2620 – 2690                                  | +16   | +8  | -6  | $P_{\text{REFSENS}} + x \text{ dB}^*$ | CW carrier                 |
| UTRA FDD Band VIII or E-UTRA Band 8  | 925 – 960                                    | +16   | +8  | -6  | $P_{\text{REFSENS}} + x \text{ dB}^*$ | CW carrier                 |
| UTRA FDD Band IX or E-UTRA Band 9    | 1844.9 – 1879.9                              | +16   | +8  | -6  | $P_{\text{REFSENS}} + x \text{ dB}^*$ | CW carrier                 |
| UTRA FDD Band X or E-UTRA Band 10    | 2110 – 2170                                  | +16   | +8  | -6  | $P_{\text{REFSENS}} + x \text{ dB}^*$ | CW carrier                 |
| UTRA FDD Band XI or E-UTRA Band 11   | 1475.9 - 1495.9                              | +16   | +8  | -6  | $P_{\text{REFSENS}} + x \text{ dB}^*$ | CW carrier                 |
| UTRA FDD Band XII or E-UTRA Band 12  | 729 - 746                                    | +16   | +8  | -6  | $P_{\text{REFSENS}} + x \text{ dB}^*$ | CW carrier                 |
| UTRA FDD Band XIII or E-UTRA Band 13 | 746 - 756                                    | +16   | +8  | -6  | $P_{\text{REFSENS}} + x \text{ dB}^*$ | CW carrier                 |
| UTRA FDD Band XIV or E-UTRA Band 14  | 758 - 768                                    | +16   | +8  | -6  | $P_{\text{REFSENS}} + x \text{ dB}^*$ | CW carrier                 |
| E-UTRA Band 17                       | 734 - 746                                    | +16   | +8  | -6  | $P_{\text{REFSENS}} + x \text{ dB}^*$ | CW carrier                 |
| E-UTRA Band 18                       | 860 - 875                                    | +16   | +8  | -6  | $P_{\text{REFSENS}} + x \text{ dB}^*$ | CW carrier                 |
| UTRA FDD Band XIX or E-UTRA Band 19  | 875 - 890                                    | +16   | +8  | -6  | $P_{\text{REFSENS}} + x \text{ dB}^*$ | CW carrier                 |
| UTRA FDD Band XX or E-UTRA Band 20   | 791 - 821                                    | +16   | +8  | -6  | $P_{\text{REFSENS}} + x \text{ dB}^*$ | CW carrier                 |
| UTRA FDD Band XXI or E-UTRA Band 21  | 1495.9 – 1510.9                              | +16   | +8  | -6  | $P_{\text{REFSENS}} + x \text{ dB}^*$ | CW carrier                 |
| UTRA FDD Band                        | 3510 – 3590                                  | +16   | +8  | -6  | $P_{\text{REFSENS}} + x \text{ dB}^*$ | CW carrier                 |

|                                       |                      |     |    |    |                                       |            |
|---------------------------------------|----------------------|-----|----|----|---------------------------------------|------------|
| XXII or E-UTRA Band 22                |                      |     |    |    |                                       |            |
| E-UTRA Band 23                        | 2180 - 2200          | +16 | +8 | -6 | $P_{\text{REFSENS}} + x \text{ dB}^*$ | CW carrier |
| E-UTRA Band 24                        | 1525 – 1559          | +16 | +8 | -6 | $P_{\text{REFSENS}} + x \text{ dB}^*$ | CW carrier |
| UTRA FDD Band XXV or E-UTRA Band 25   | 1930 – 1995          | +16 | +8 | -6 | $P_{\text{REFSENS}} + x \text{ dB}^*$ | CW carrier |
| UTRA FDD Band XXVI or E-UTRA Band 26  | 859 – 894            | +16 | +8 | -6 | $P_{\text{REFSENS}} + x \text{ dB}^*$ | CW carrier |
| E-UTRA Band 27                        | 852 - 869            | +16 | +8 | -6 | $P_{\text{REFSENS}} + x \text{ dB}^*$ | CW carrier |
| E-UTRA Band 28                        | 758 – 803            | +16 | +8 | -6 | $P_{\text{REFSENS}} + x \text{ dB}^*$ | CW carrier |
| E-UTRA Band 29                        | 717-728              | +16 | +8 | -6 | $P_{\text{REFSENS}} + 6\text{dB}^*$   | CW carrier |
| E-UTRA Band 30                        | 2350-2360            | +16 | +8 | -6 | $P_{\text{REFSENS}} + x \text{ dB}^*$ | CW carrier |
| E-UTRA Band 31                        | 462.5–467.5          | +16 | +8 | -6 | $P_{\text{REFSENS}} + 6\text{dB}^*$   | CW carrier |
| UTRA FDD Band XXXII or E-UTRA Band 32 | 1452 – 1496 (NOTE 5) | +16 | +8 | -6 | $P_{\text{REFSENS}} + 6\text{dB}^*$   | CW carrier |
| UTRA TDD Band a) or E-UTRA Band 33    | 1900-1920            | +16 | +8 | -6 | $P_{\text{REFSENS}} + x \text{ dB}^*$ | CW carrier |
| UTRA TDD Band a) or E-UTRA Band 34    | 2010-2025            | +16 | +8 | -6 | $P_{\text{REFSENS}} + x \text{ dB}^*$ | CW carrier |
| UTRA TDD Band b) or E-UTRA Band 35    | 1850-1910            | +16 | +8 | -6 | $P_{\text{REFSENS}} + x \text{ dB}^*$ | CW carrier |
| UTRA TDD Band b) or E-UTRA Band 36    | 1930-1990            | +16 | +8 | -6 | $P_{\text{REFSENS}} + x \text{ dB}^*$ | CW carrier |
| UTRA TDD Band c) or E-UTRA Band 37    | 1910-1930            | +16 | +8 | -6 | $P_{\text{REFSENS}} + x \text{ dB}^*$ | CW carrier |
| UTRA TDD Band d) or E-UTRA Band 38    | 2570-2620            | +16 | +8 | -6 | $P_{\text{REFSENS}} + x \text{ dB}^*$ | CW carrier |
| UTRA TDD Band f) or E-UTRA Band 39    | 1880-1920            | +16 | +8 | -6 | $P_{\text{REFSENS}} + x \text{ dB}^*$ | CW carrier |
| UTRA TDD Band e) or E-UTRA Band 40    | 2300-2400            | +16 | +8 | -6 | $P_{\text{REFSENS}} + x \text{ dB}^*$ | CW carrier |
| E-UTRA Band 41                        | 2496 - 2690          | +16 | +8 | -6 | $P_{\text{REFSENS}} + x \text{ dB}^*$ | CW carrier |
| E-UTRA Band 42                        | 3400 – 3600          | +16 | +8 | -6 | $P_{\text{REFSENS}} + x \text{ dB}^*$ | CW carrier |
| E-UTRA Band 43                        | 3600 – 3800          | +16 | +8 | -6 | $P_{\text{REFSENS}} + x \text{ dB}^*$ | CW carrier |
| E-UTRA Band 44                        | 703 - 803            | +16 | +8 | -6 | $P_{\text{REFSENS}} + x \text{ dB}^*$ | CW carrier |

NOTE 1 (\*):  $P_{\text{REFSENS}}$  depends on the RAT, the BS class and the channel bandwidth, see subclause 7.2.

"x" is equal to 3 in case of GSM/EDGE wanted signal and equal to 6 in case of UTRA or E-UTRA wanted signals.

NOTE 2: Except for a BS operating in Band 13, these requirements do not apply when the interfering signal falls within any of the supported uplink operating band or in the 10 MHz immediately outside any of the supported uplink operating band.

For a BS operating in band 13 the requirements do not apply when the interfering signal falls within the frequency range 768-797MHz.

For BS operating in Band 42 or 43, the requirements do not apply when the interfering signal falls within the Band 42 or 43 uplink operating bands and the Base Stations are synchronized.

NOTE 3: Some combinations of bands may not be possible to co-site based on the requirements above. The current state-of-the-art technology does not allow a single generic solution for co-location of UTRA TDD or E-UTRA TDD with E-UTRA FDD on adjacent frequencies for 30dB BS-BS minimum coupling loss. However, there are certain site-engineering solutions that can be used. These techniques are addressed in TR 25.942 [14].

NOTE 4: In China, the blocking requirement for co-location with DCS1800 and Band III BS is only applicable in the frequency range 1805-1850MHz.

NOTE 5: For a BS operating in band 11 or 21, this requirement applies for interfering signal within the frequency range 1475.9-1495.9 MHz.

## 7.6 Receiver spurious emissions

### 7.6.1 Definition and applicability

The receiver spurious emissions power is the power of emissions generated or amplified in a receiver that appear at the BS receiver antenna connector. The requirements apply to all BS with separate RX and TX antenna ports. In this case for FDD BS the test shall be performed when both TX and RX are on, with the TX port terminated.

For TDD BS with common RX and TX antenna port the requirement applies during the Transmitter OFF period. For FDD BS with common RX and TX antenna port the transmitter spurious emission limits as specified in subclause 6.6.1 are valid.

For BS capable of multi-band operation where multiple bands are mapped on separate antenna connectors, the single-band requirements apply and the excluded frequency range is only applicable for the operating band supported on each antenna connector.

### 7.6.2 Minimum requirements

The minimum requirement is in TS 37.104 [2] subclause 7.6.1.

### 7.6.3 Test purpose

The test purpose is to verify the ability of the BS to limit the interference caused by receiver spurious emissions to other systems.

### 7.6.4 Method of test

#### 7.6.4.1 Initial conditions

Test environment: Normal; see Annex B.2.

RF bandwidth positions to be tested:  $M_{\text{RFBW}}$  in single-band operation, see subclause 4.9.1,  $B_{\text{RFBW\_T}}^{\text{RFBW}}$  and  $B_{\text{RFBW\_T}}^{\text{RFBW}}$  in multi-band operation, see subclause 4.9.1.

- 1) Set up the equipment as shown in Annex D.2.1.

#### 7.6.4.2 Procedure

- 1) Set the measurement equipment parameters as specified in Table 7.6.5.1-1. For BC2, the parameters in Table 7.6.5.2-1 apply in addition.
- 2) Set the BS to transmit with the carrier set-up and power allocation according to the applicable test configuration(s) (see clause 5).
- 3) Measure the spurious emissions over each frequency range described in subclause 7.6.5.

In addition, for a multi-band capable BS, the following steps shall apply:

- 4) For multi-band capable BS and single band tests, repeat the steps above per involved band where single band test configurations and test models shall apply with no carrier activated in the other band.
- 5) For multi-band capable BS with separate antenna connector, the antenna connector not being under test in case of SBT or MBT shall be terminated.

### 7.6.5 Test requirements

#### 7.6.5.1 General test requirements

The power of any spurious emission shall not exceed the levels in Table 7.6.5.1-1.



**Table 7.6.5.1-1: General spurious emission test requirement**

| Frequency range   | Maximum level | Measurement Bandwidth | Note                                  |
|---|---------------|-----------------------|---------------------------------------|
| 30 MHz - 1 GHz  | -57 dBm       | 100 kHz               |                                       |
| 1 GHz - 12.75 GHz   | -47 dBm       | 1 MHz                 |                                       |
| 12.75 GHz - 5 <sup>th</sup> harmonic of the upper frequency edge of the UL operating band in GHz  | -47 dBm       | 1 MHz                 | Applies only for Bands 22, 42 and 43. |
| NOTE: The frequency range from $F_{\text{BW RF,DL,low}} - 10$ MHz to $F_{\text{BW RF,DL,high}} + 10$ MHz may be excluded from the requirement. For BS capable of multi-band operation, the exclusion applies for all supported operating bands. For BS capable of multi-band operation where multiple bands are mapped on separate antenna connectors, the single-band requirements apply and the excluded frequency range is only applicable for the operating band supported on each antenna connector. |               |                       |                                       |

In addition to the requirements in Table 7.6.5.1-1, the power of any spurious emission shall not exceed the additional spurious emissions requirements in subclause 6.6.1.5.5 and in case of FDD BS (for BC1 and BC2) emission shall not exceed the levels specified for protection of the BS receivers of own or different BS in subclause 6.6.1.5.4. In addition, the requirements for co-location with other Base Stations specified in subclause 6.6.1.5.6 may also be applied.

### 7.6.5.2 Additional test requirement for BC2 (Category B)

For a BS operating in Band Category 2 when GSM/EDGE is configured and where Category B spurious emissions apply, the power of any spurious emissions shall not exceed the limits in Table 7.6.5.2-1.

For BS capable of multi-band operation, the limits in Table 7.6.5.2-1 are only applicable when all supported operating bands belong to BC2 and GSM/EDGE is configured in all bands.

**Table 7.6.5.2-1: Additional BS spurious emissions limits for BC2, Category B**

| Frequency range   | Frequency offset from transmitter operating band edge (Note 1) | Maximum level | Measurement Bandwidth |
|---|--|---------------|-----------------------|
| 500 MHz – 1 GHz   | 10 – 20 MHz  | -57 dBm       | 300 kHz               |
|   | 20 – 30 MHz  | -57 dBm       | 1 MHz                 |
|   | $\geq 30$ MHz  | -57 dBm       | 3 MHz                 |
| 1 GHz – 12.75 GHz   | $\geq 30$ MHz  | -47 dBm       | 3 MHz                 |
| NOTE 1: For BS capable of multi-band operation, the frequency offset is relative to the closest supported operating band. |  |               |                       |

## 7.7 Receiver intermodulation

### 7.7.1 Definition and applicability

Third and higher order mixing of the two interfering RF signals can produce an interfering signal in the band of the desired channel. Intermodulation response rejection is a measure of the capability of the receiver to receive a wanted signal on its assigned channel frequency in the presence of two interfering signals which have a specific frequency relationship to the wanted signal.

### 7.7.2 Minimum requirement

The minimum requirement is in TS 37.104 [2], subclauses 7.7.1, 7.7.2 and 7.7.3.

### 7.7.3 Test purpose

The test purpose is to verify the ability of the BS receiver to inhibit the generation of intermodulation products in its non-linear elements caused by the presence of two high-level interfering signals at frequencies with a specific relationship to the frequency of the wanted signal.

### 7.7.4 Method of test

#### 7.7.4.1 Initial conditions

Test environment: Normal; see Annex B.2.

RF bandwidth positions to be tested: In single-band operation:  $M_{RFBW}$  if TC6 is applicable;  $B_{RFBW}$  and  $T_{RFBW}$  for other TC, see subclause 4.9.1, Table 5.1-1 and Table 5.2-1. In multi-band operation:  $B_{RFBW\_T}$  and  $B''_{RFBW\_T}$ , see subclause 4.9.1.

- 1) Set-up the measurement system as shown in Annex D.2.3.
- 2) Generate the wanted signal according to the applicable test configuration (see clause 5) using reference measurement channel to the BS under test as follows:
  - For E-UTRA see Annex A.1 in TS 36.141 [9].
  - For UTRA FDD see Annex A.2 in TS 25.141 [10].
  - For UTRA TDD see Annex A.2.1 in TS 25.142 [12].
  - For GSM see subclause 7.7.2 in TS 51.021 [11] and Annex P in TS 45.005 [6] for reference channels to test.

#### 7.7.4.2 Procedure for general and narrowband intermodulation

- 1) Adjust the signal generators to the type of interfering signals, levels and the frequency offsets as specified in Table 7.7.5.1-1 and Table 7.7.5.1-2 for general intermodulation requirement, and Table 7.7.5.2-1 and Table 7.7.5.2-2 for narrowband intermodulation requirement.
- 2) Measure the performance of the wanted signal at the BS receiver, as defined in subclause 7.7.5.1 and 7.7.5.2, for the relevant carriers specified by the test configuration in subclause 4.8.

In addition, for a multi-band capable BS with separate antenna connectors, the following steps shall apply:

- 5) For single band tests, repeat the steps above per involved band where single band test configurations shall apply with no carrier activated in the other band.
- 6) For multi-band tests, the interfering signal shall first be applied on the same port as the wanted signal. The test shall be repeated with the interfering signal applied on the other port (if any) mapped to the same receiver as the wanted signal. Any antenna connector with no signal applied shall be terminated.
- 7) Repeat step 6 with the wanted signal for the other band(s) applied on the respective port(s).

#### 7.7.4.3 Procedure for additional narrowband intermodulation for GSM/EDGE

The GSM/EDGE MC-BTS receiver intermodulation method of test is stated in TS 51.021 [11], applicable parts of subclause 7.7, shall apply for GSM/EDGE carriers.

The conditions specified in TS 45.005 [6], Annex P.2.2 apply for the GSM/EDGE intermodulation requirement.

In addition, for multi-band capable BS and single band tests, repeat the procedure above per involved band where single band test configurations and test models shall apply with no carrier activated in the other band. Any antenna connector with no signal applied shall be terminated.

## 7.7.5 Test requirements

### 7.7.5.1 General intermodulation test requirement

Interfering signals shall be a CW signal and an E-UTRA or UTRA signal, as specified in Annex A.

The requirement is applicable outside the edges of the RF bandwidth or maximum radio bandwidth. The interfering signal offset is defined relative to the RF bandwidth or maximum radio bandwidth edges.

For BS capable of multi-band operation, the requirement applies in addition inside any inter RF bandwidth gap, in case the gap size is at least twice as wide as the UTRA/E-UTRA interfering signal centre frequency offset from the RF bandwidth edge. The interfering signal offset is defined relative to the RF bandwidth edges inside the inter RF bandwidth gap.

For the wanted signal at the assigned channel frequency and two interfering signals coupled to the Base Station antenna input, using the parameters in Table 7.7.5.1-1 and 7.7.5.1-2, the following requirements shall be met:

- For any measured E-UTRA carrier, the throughput shall be  $\geq 95\%$  of the maximum throughput of the reference measurement channel defined in TS 36.104 [5], subclause 7.2.
- For any measured UTRA FDD carrier, the BER shall not exceed 0.001 for the reference measurement channel defined in TS 25.104 [3], subclause 7.2.
- For any measured UTRA TDD carrier, the BER shall not exceed 0.001 for the reference measurement channel defined in TS 25.105 [4], subclause 7.2.
- For any measured GSM/EDGE carrier, the conditions are specified in TS 45.005 [6], Annex P.2.2.

**Table 7.7.5.1-1: General intermodulation requirement**

| Base Station Type   | Mean power of interfering signals [dBm] | Wanted Signal mean power [dBm]       | Type of interfering signal |
|---|---|--------------------------------------|----------------------------|
| Wide Area BS  | -48                                     | $P_{\text{REFSENS}} + x$ dB (Note 2) | See Table 7.7.5.1-2        |
| Medium Range BS   | -44                                     | $P_{\text{REFSENS}} + x$ dB (Note 3) |                            |
| Local Area BS   | -38                                     | $P_{\text{REFSENS}} + x$ dB (Note 4) |                            |
| NOTE 1: $P_{\text{REFSENS}}$ depends on the RAT, the BS class and on the channel bandwidth, see subclause 7.2 in TS 37.104 [2]. For E-UTRA channel bandwidths 10, 15 and 20 MHz this requirement shall apply only for a FRC A1-3 mapped to the frequency range at the channel edge adjacent to the interfering signals. |   |                                      |                            |
| NOTE 2: For WA BS, 'x' is equal to 6 in case of E-UTRA or UTRA wanted signals and equal to 3 in case of GSM/EDGE wanted signal.   |   |                                      |                            |
| NOTE 3: For MR BS, 'x' is equal to 6 in case of UTRA wanted signals, 9 in case of E-UTRA wanted signal and equal to 3 in case of GSM/EDGE wanted signal.  |   |                                      |                            |
| NOTE 4: For LA BS, 'x' is equal to 12 in case of E-UTRA wanted signals, 6 in case of UTRA wanted signal and equal to 3 in case of GSM/EDGE wanted signal.   |   |                                      |                            |

Table 7.7.5.1-2: Interfering signals for intermodulation requirement

| RAT of the carrier adjacent to the high (low) edge of the RF bandwidth | Interfering signal centre frequency offset from the RF bandwidth edge [MHz] | Type of interfering signal |
|--|---|----------------------------|
| E-UTRA 1.4 MHz   | $\pm 2.0$ (BC1 and BC3) /<br>$\pm 2.1$ (BC2)                                | CW                         |
|  | $\pm 4.9$   | 1.4MHz E-UTRA signal       |
| E-UTRA 3 MHz   | $\pm 4.4$ (BC1 and BC3) /<br>$\pm 4.5$ (BC2)                                | CW                         |
|  | $\pm 10.5$  | 3MHz E-UTRA signal         |
| UTRA FDD and E-UTRA 5 MHz  | $\pm 7.5$   | CW                         |
|  | $\pm 17.5$  | 5MHz E-UTRA signal         |
| E-UTRA 10 MHz  | $\pm 7.375$   | CW                         |
|  | $\pm 17.5$  | 5MHz E-UTRA signal         |
| E-UTRA 15 MHz  | $\pm 7.25$  | CW                         |
|  | $\pm 17.5$  | 5MHz E-UTRA signal         |
| E-UTRA 20 MHz  | $\pm 7.125$   | CW                         |
|  | $\pm 17.5$  | 5MHz E-UTRA signal         |
| GSM/EDGE   | $\pm 7.575$   | CW                         |
|  | $\pm 17.5$  | 5MHz E-UTRA signal         |
| 1.28 Mcps UTRA TDD   | $\pm 2.3$ (BC3)   | CW                         |
|  | $\pm 5.6$ (BC3)   | 1.28Mcps UTRA TDD signal   |

### 7.7.5.2 General narrowband intermodulation test requirement

Interfering signals shall be a CW signal and an E-UTRA 1RB signal, as specified in Annex A.

The requirement is applicable outside the edges of the RF bandwidth or maximum radio bandwidth. The interfering signal offset is defined relative to the RF bandwidth or maximum radio bandwidth edges.

For BS operating in non-contiguous spectrum within each supported operating band, the requirement applies in addition inside any sub-block gap in case the sub-block gap is at least as wide as the channel bandwidth of the E-UTRA interfering signal in Table 7.7.5.2-2. The interfering signal offset is defined relative to the sub-block edges inside the gap.

For BS capable of multi-band operation, the requirement applies in addition inside any inter RF bandwidth gap in case the gap size is at least as wide as the E-UTRA interfering signal in Table 7.7.5.2-2. The interfering signal offset is defined relative to the RF bandwidth edges inside the inter RF bandwidth gap.

For the wanted signal at the assigned channel frequency and two interfering signals coupled to the Base Station antenna input, using the parameters in Table 7.7.5.2-1 and 7.7.5.2-2, the following requirements shall be met:

- For any measured E-UTRA carrier, the throughput shall be  $\geq 95\%$  of the maximum throughput of the reference measurement channel defined in TS 36.104 [5], subclause 7.2.
- For any measured UTRA FDD carrier, the BER shall not exceed 0.001 for the reference measurement channel defined in TS 25.104 [3], subclause 7.2.
- For any measured UTRA TDD carrier, the BER shall not exceed 0.001 for the reference measurement channel defined in TS 25.105 [4], subclause 7.2.
- For any measured GSM/EDGE carrier, the conditions are specified in TS 45.005 [6], Annex P.2.2.

**Table 7.7.5.2-1: General narrowband intermodulation requirement**

| Base Station Type  | Mean power of interfering signals [dBm] | Wanted Signal mean power [dBm]        | Type of interfering signal |
|--|---|---------------------------------------|----------------------------|
| Wide Area BS   | -52                                     | $P_{\text{REFSENS}} + X \text{ dB}^*$ | See Table 7.7.5.2-2        |
| Medium Range BS  | -47                                     |                                       |                            |
| Local Area BS  | -44                                     |                                       |                            |
| NOTE*: $P_{\text{REFSENS}}$ depends on the RAT, the BS class and on the channel bandwidth, see subclause 7.2 in TS 37.104.<br>'x' is equal to 6 in case of E-UTRA or UTRA wanted signals and equal to 3 in case of GSM/EDGE wanted signal. |   |                                       |                            |

**Table 7.7.5.2-2: Interfering signals for narrowband intermodulation requirement**

| RAT of the carrier adjacent to the high (low) edge of the RF bandwidth or edge of the sub-block   | Interfering signal centre frequency offset from the RF bandwidth edge or edge of sub-block inside a gap [kHz] | Type of interfering signal   |
|---|---|------------------------------|
| E-UTRA 1.4 MHz  | $\pm 260$ (BC1 and BC3) / $\pm 270$ (BC2)   | CW                           |
|   | $\pm 970$ (BC1 and BC3) / $\pm 790$ (BC2)   | 1.4 MHz E-UTRA signal, 1 RB* |
| E-UTRA 3 MHz  | $\pm 260$ (BC1 and BC3) / $\pm 270$ (BC2)   | CW                           |
|   | $\pm 960$ (BC1 and BC3) / $\pm 780$ (BC2)   | 3.0 MHz E-UTRA signal, 1 RB* |
| E-UTRA 5 MHz  | $\pm 360$   | CW                           |
|   | $\pm 1060$  | 5 MHz E-UTRA signal, 1 RB*   |
| E-UTRA 10 MHz (**)  | $\pm 325$   | CW                           |
|   | $\pm 1240$  | 5 MHz E-UTRA signal, 1 RB*   |
| E-UTRA 15 MHz (**)  | $\pm 380$   | CW                           |
|   | $\pm 1600$  | 5MHz E-UTRA signal, 1 RB*    |
| E-UTRA 20 MHz (**)  | $\pm 345$   | CW                           |
|   | $\pm 1780$  | 5MHz E-UTRA signal, 1 RB*    |
| UTRA FDD  | $\pm 345$ (BC1 and BC2)   | CW                           |
|   | $\pm 1780$ (BC1 and BC2)  | 5MHz E-UTRA signal, 1 RB*    |
| GSM/EDGE  | $\pm 340$   | CW                           |
|   | $\pm 880$   | 5MHz E-UTRA signal, 1 RB*    |
| 1.28Mcps UTRA TDD   | $\pm 190$ (BC3)   | CW                           |
|   | $\pm 970$ (BC3)   | 1.4 MHz E-UTRA signal, 1 RB* |
| NOTE*: Interfering signal consisting of one resource block positioned at the stated offset, the channel bandwidth of the interfering signal is located adjacently to the RF bandwidth edge or edge of sub-block inside a gap. |   |                              |
| NOTE**: This requirement shall apply only for an E-UTRA FRC A1-3 mapped to the frequency range at the channel edge adjacent to the interfering signals.   |   |                              |

### 7.7.5.3 Additional narrowband intermodulation test requirement for GSM/EDGE

The GSM/EDGE MC-BTS receiver intermodulation test requirements are stated in TS 51.021 [11], applicable parts of subclause 7.7, shall apply for GSM/EDGE carriers.

The conditions specified in TS 45.005 [6], Annex P.2.2 apply for the GSM/EDGE intermodulation requirement.

## 7.8 In-channel selectivity

### 7.8.1 Definition and applicability

In-channel selectivity (ICS) is a measure of the receiver ability to receive a wanted signal at its assigned resource block locations in the presence of an interfering signal received at a larger power spectral density. In this condition a throughput requirement shall be met for a specified reference measurement channel. This requirement is applicable for E-UTRA carriers only.

### 7.8.2 Minimum requirement

The minimum requirement is in TS 37.104 [2] subclause 7.8.1.

### 7.8.3 Test purpose

The purpose of this test is to verify the BS receiver ability to suppress the IQ leakage.

### 7.8.4 Method of testing

For this requirement Tables 5.1-1 and 5.2-1 refer to single-RAT specifications; see clause 5. The following shall apply:

- For references to TS 36.141 [9], the method of test is specified in TS 36.141 [9], subclause 7.4.4.

In addition, for a multi-band capable BS, the following steps shall apply:

- For multi-band capable BS and single band tests, repeat the tests per involved band with no carrier activated in the other band.
- For multi-band capable BS with separate antenna connector, the antenna connector not being under test shall be terminated.

### 7.8.5 Test requirements

The test requirements are in TS 36.141 [9], subclause 7.4.5.

---

## 8 Performance requirements

Void

## Annex A (normative): Characteristics of interfering signals

### A.1 UTRA FDD interfering signal

The UTRA FDD interfering signal shall be a DPCH containing the DPCCH and one DPDCH. The data content for each channelization code shall be uncorrelated with each other and to the wanted signal and spread and modulated according to clause 4 of TS 25.213. Further characteristics of DPDCH and DPCCH are specified in Table A.1-1.

**Table A.1-1: Characteristics of UTRA FDD interfering signal**

| Channel  | Bit Rate | Spreading Factor | Channelization Code | Relative Power |
|--|----------|------------------|---------------------|----------------|
| DPDCH  | 240 kbps | 16               | 4                   | 0 dB           |
| DPCCH  | 15 kbps  | 256              | 0                   | -5.46 dB       |
| NOTE: The DPDCH and DPCCH settings are chosen to simulate a signal with realistic Peak to Average Ratio. |          |                  |                     |                |

### A.2 UTRA TDD interfering signal

The UTRA TDD interfering signal shall be 1.28 Mcps UTRA TDD signal with one code. The data content shall be uncorrelated to the wanted signal. They are specified in Table A.2-1.

**Table A.2-1: Characteristics of UTRA TDD interfering signal**

| UTRA TDD option  | Type of Interfering Signal               |
|--|--|
| 1.28 Mcps UTRA TDD   | 1,28 Mcps UTRA TDD signal with one code* |
| * NOTE: The channelisation code ID and Midamble shift shall be different with the wanted signal's. |  |

### A.3 E-UTRA interfering signal

The E-UTRA interfering signal shall be a PUSCH containing data and reference symbols. Normal CP is used. The data content shall be uncorrelated to the wanted signal and modulated according to clause 5 of TS 36.211. Mapping of PUSCH modulation to receiver requirement are specified in Table A.3-1.

**Table A.3-1: Modulation of the E-UTRA interfering signal**

| Receiver requirement     | Modulation |
|--------------------------|------------|
| Narrowband blocking      | QPSK       |
| Receiver intermodulation | QPSK       |

---

## Annex B (normative): Environmental requirements for the BS equipment

### B.1 General

For each test in the present document, the environmental conditions under which the BS is to be tested are defined. The environmental conditions and class shall be from the relevant IEC specifications or the corresponding ETSI specifications.

---

### B.2 Normal test environment

When a normal test environment is specified for a test, the test should be performed within the minimum and maximum limits of the conditions stated in Table B.1.

**Table B.1: Limits of conditions for Normal Test Environment**

| Condition           | Minimum                                  | Maximum |
|---------------------|--|---------|
| Barometric pressure | 86 kPa                                   | 106 kPa |
| Temperature         | 15°C                                     | 30°C    |
| Relative Humidity   | 20 %                                     | 85 %    |
| Power supply        | Nominal, as declared by the manufacturer |         |
| Vibration           | Negligible                               |         |

The ranges of barometric pressure, temperature and humidity represent the maximum variation expected in the uncontrolled environment of a test laboratory. If it is not possible to maintain these parameters within the specified limits, the actual values shall be recorded in the test report.

---

### B.3 Extreme test environment

The manufacturer shall declare one of the following:

- 1) The equipment class for the equipment under test, as defined in the IEC 60721-3-3 [17] or ETSI EN 300 019-1-3 [19] ("Stationary use at weather protected locations");
- 2) The equipment class for the equipment under test, as defined in the IEC 60721-3-4 [18] or ETSI EN 300 019-1-4 [20] ("Stationary use at non weather protected locations");
- 3) The equipment that does not comply to the mentioned classes, the relevant classes from IEC 60721 [16] documentation for Temperature, Humidity and Vibration shall be declared.

NOTE: Reduced functionality for conditions that fall out side of the standard operational conditions are not tested in the present document. These may be stated and tested separately.

#### B.3.1 Extreme temperature

When an extreme temperature test environment is specified for a test, the test shall be performed at the standard minimum and maximum operating temperatures defined by the manufacturer's declaration for the equipment under test.

##### **Minimum temperature:**

The test shall be performed with the environment test equipment and methods including the required environmental phenomena into the equipment, conforming to the test procedure of IEC 60068-2-1 [21].

##### **Maximum temperature:**



The test shall be performed with the environmental test equipment and methods including the required environmental phenomena into the equipment, conforming to the test procedure of IEC 60068-2-2 [22].

NOTE: It is recommended that the equipment is made fully operational prior to the equipment being taken to its lower operating temperature.

---

## B.4 Vibration

When vibration conditions are specified for a test, the test shall be performed while the equipment is subjected to a vibration sequence as defined by the manufacturer's declaration for the equipment under test. This shall use the environmental test equipment and methods of inducing the required environmental phenomena in to the equipment, conforming to the test procedure of IEC 60068-2-6 [23]. Other environmental conditions shall be within the ranges specified in clause B.2.

NOTE: The higher levels of vibration may induce undue physical stress in to equipment after a prolonged series of tests. The testing body should only vibrate the equipment during the RF measurement process.

---

## B.5 Power supply

When extreme power supply conditions are specified for a test, the test shall be performed at the standard upper and lower limits of operating voltage defined by manufacturer's declaration for the equipment under test.

### Upper voltage limit:

The equipment shall be supplied with a voltage equal to the upper limit declared by the manufacturer (as measured at the input terminals to the equipment). The tests shall be carried out at the steady state minimum and maximum temperature limits declared by the manufacturer for the equipment, to the methods described in IEC 60068-2-1 [21] Test Ab/Ad and IEC 60068-2-2 [22] Test Bb/Bd: Dry Heat.

### Lower voltage limit:

The equipment shall be supplied with a voltage equal to the lower limit declared by the manufacturer (as measured at the input terminals to the equipment). The tests shall be carried out at the steady state minimum and maximum temperature limits declared by the manufacturer for the equipment, to the methods described in IEC 60068-2-1 [21] Test Ab/Ad and IEC 60068-2-2 [22] Test Bb/Bd: Dry Heat.

---

## B.6 Measurement of test environments

The measurement accuracy of the BS test environments shall be.

|                      |             |
|----------------------|-------------|
| Pressure:            | ±5 kPa.     |
| Temperature:         | ±2 degrees. |
| Relative Humidity:   | ±5 %.       |
| DC Voltage:          | ±1,0 %.     |
| AC Voltage:          | ±1,5 %.     |
| Vibration:           | 10 %.       |
| Vibration frequency: | 0,1 Hz.     |

The above values shall apply unless the test environment is otherwise controlled and the specification for the control of the test environment specifies the uncertainty for the parameter.

---

## Annex C (informative): Test Tolerances and Derivation of test requirements

The test requirements explicitly defined in this specification have been calculated by relaxing the minimum requirements of the core specification using the Test Tolerances defined here. When the Test Tolerance is zero, the test requirement will be the same as the minimum requirement. When the Test Tolerance is non-zero, the test requirements will differ from the minimum requirements, and the formula used for this relaxation is given in the following tables.

Test requirements which are included by reference to TS 25.141 [10], TS 25.142[12], TS 36.141[9] or TS 51.021[11] have been calculated within the referred test specification using the Test Tolerances defined therein.

The Test Tolerances are derived from Test System uncertainties, regulatory requirements and criticality to system performance. As a result, the Test Tolerances may sometimes be set to zero.

The test tolerances should not be modified for any reason e.g. to take account of commonly known test system errors (such as mismatch, cable loss, etc.).

Note that a formula for applying Test Tolerances is provided for all tests, even those with a test tolerance of zero. This is necessary in the case where the Test System uncertainty is greater than that allowed in subclause 4.1.2. In this event, the excess error shall be subtracted from the defined test tolerance in order to generate the correct tightened test requirements as defined in this Annex.

## C.1 Measurement of transmitter

Table C.1-1: Derivation of test requirements (Transmitter tests)

| Test  | Minimum requirement in TS 37.104   | Test Tolerance (TT)   | Test requirement  |
|---|--|---|---|
| 6.2.1 Base Station maximum output power   | <p>UTRA and E-UTRA<br/>In normal conditions:<br/>within <math>\pm 2</math> dB of manufacturer's rated output power</p> <p>In extreme conditions:<br/>within <math>\pm 2.5</math> dB of manufacturer's rated output power</p> <p>GSM/EDGE<br/>In normal conditions:<br/>within <math>\pm 2</math> dB of manufacturer's rated output power</p> <p>In extreme conditions:<br/>within <math>\pm 2.5</math> dB of manufacturer's rated output power</p> | <p>0.7 dB , <math>f \leq 3.0</math> GHz</p> <p>1.0 dB, 3.0 GHz &lt; <math>f \leq 4.2</math> GHz</p> <p>0.7 dB , <math>f \leq 3.0</math> GHz</p> <p>1.0 dB, 3.0 GHz &lt; <math>f \leq 4.2</math> GHz</p> <p>1.0 dB</p> <p>1.0 dB</p> | <p>Formula: Upper limit + TT, Lower limit - TT</p> <p>In normal conditions:<br/>within +2.7 dB and -2.7 dB of the manufacturer's rated output power , <math>f \leq 3.0</math> GHz;<br/>within +3 dB and -3 dB of the manufacturer's rated output power, 3.0 GHz &lt; <math>f \leq 4.2</math> GHz</p> <p>In extreme conditions:<br/>within +3.2 dB and -3.2 dB of the manufacturer's rated output power, <math>f \leq 3.0</math> GHz;<br/>within +3.5 dB and -3.5 dB of the manufacturer's rated output power, 3.0 GHz &lt; <math>f \leq 4.2</math> GHz</p> <p>In normal conditions:<br/>within +3.0 dB and -3.0 dB of the manufacturer's rated output power</p> <p>In extreme conditions:<br/>within +3.5 dB and -3.5 dB of the manufacturer's rated output power</p> |
| 6.4 Transmit ON/OFF power   | -85 dBm/MHz.   | <p>2 dB , <math>f \leq 3.0</math>GHz</p> <p>2.5 dB, 3.0GHz &lt; <math>f \leq 4.2</math>GHz</p>  | Formula: Minimum Requirement + TT   |
| 6.6.1.5.1 Transmitter spurious emissions, Mandatory Requirements                    | Maximum level defined in Table 6.6.1.1.1-1 of TS 37.104 [2].   | 0 dB  | Formula: Minimum Requirement + TT   |
| 6.6.1.5.2 Transmitter spurious emissions, Mandatory Requirements                    | Maximum level defined in Table 6.6.1.1.2-1 of TS 37.104 [2].   | 0 dB  | Formula: Minimum Requirement + TT   |
| 6.6.1.5.3 Transmitter spurious emissions, Additional BC2 Requirement                | Maximum level defined in Table 6.6.1.1.3-1 of TS 37.104 [2].   | 0 dB  | Formula: Minimum Requirement + TT   |
| 6.6.1.5.4 Transmitter spurious emissions, Protection of BS receiver                 | Maximum level defined in Table 6.6.1.2.1-1 of TS 37.104 [2].   | 0 dB  | Formula: Minimum Requirement + TT   |
| 6.6.1.5.5 Transmitter spurious emissions, Additional spurious emission requirements | Maximum level defined in Tables 6.6.1.3.1-1 and 6.6.1.3.1-2 of TS 37.104 [2].  | 0 dB  | Formula: Minimum Requirement + TT   |
| 6.6.1.5.6 Transmitter spurious emissions, Co-location                               | Maximum level defined in Table 6.6.1.4.1-1 of TS 37.104 [2].   | 0 dB  | Formula: Minimum Requirement + TT   |

|   |   |   |   |
|---|---|---|---|
| 6.6.2 Operating band unwanted emissions   | <p><u>For BC1 and BC2:</u></p> <p>Offset &lt; 1 MHz<br/>-14dBm/30kHz to -26dBm/30kHz</p> <p>1 MHz ≤ Offset &lt;10 MHz<br/>-13 dBm/1 MHz</p> <p>10 MHz ≤ Offsets<br/>-15 dBm/1 MHz</p> <p><u>For BC2 with adjacent GSM/EDGE or E-UTRA 1.4 and 3 MHz carriers:</u></p> <p>Offset &lt; 0.05 MHz<br/>2 dBm/30kHz to 5 dBm/30 kHz</p> <p>0.05 MHz ≤ Offset<br/>-14 dBm/30kHz to 2 dBm/30 kHz</p> | <p>1.5 dB , f ≤ 3.0 GHz<br/>1.8 dB, 3.0 GHz &lt; f ≤ 4.2 GHz</p> <p>1.5 dB , f ≤ 3.0 GHz<br/>1.8 dB, 3.0 GHz &lt; f ≤ 4.2 GHz</p> <p>0 dB</p> <p>1.5 dB</p> <p>1.5 dB</p> | <p>Formula: Minimum requirement + TT</p> <p>-12.5 dBm/30kHz to -24.5 dBm/30kHz , f ≤ 3.0 GHz;<br/>-12.2 dBm/30kHz to -24.2 dBm/30kHz, 3.0 GHz &lt; f ≤ 4.2 GHz</p> <p>-11.5 dBm/1 MHz , f ≤ 3.0 GHz;<br/>-11.2 dBm/1 MHz, 3.0 GHz &lt; f ≤ 4.2 GHz</p> <p>-15 dBm/1 MHz</p> <p>3.5 dBm/30kHz to 6.5 dBm/30 kHz</p> <p>-12.5 dBm/30kHz to 3.5 dBm/30 kHz</p> |
| 6.6.3 Occupied bandwidth  | <p><math>BW_{Channel}</math> for E-UTRA<br/>5 MHz for UTRA FDD<br/>1.6 MHz for UTRA TDD</p>   | 0 kHz   | Formula: Minimum Requirement + TT   |
| 6.6.4 Adjacent Channel Leakage power Ratio (ACLR)   | <p>Paired spectrum ACLR:<br/>45 dB for E-UTRA</p> <p>Unpaired spectrum ACLR:<br/>45 dB for E-UTRA</p> <p>CACLR:<br/>45 dB for E-UTRA<br/>45 dB for UTRA</p> <p>Absolute limit -13 dBm/MHz<br/>Absolute limit -15 dBm/MHz</p>  | <p>0.8 dB</p> <p>0.8 dB</p> <p>0.8 dB<br/>0.8 dB</p> <p>0 dB<br/>0 dB</p>   | <p>Formula:<br/>ACLR Minimum Requirement - TT<br/>Absolute limit +TT</p> <p>Paired spectrum ACLR:<br/>44.2 dB</p> <p>Unpaired spectrum ACLR:<br/>44.2 dB</p> <p>CACLR Minimum Requirement - TT<br/>44.2 dB<br/>44.2 dB</p> <p>Absolute limit -13 dBm/MHz<br/>Absolute limit -15 dBm/MHz</p>   |
| 6.7 Transmitter intermodulation (interferer requirements)<br>This tolerance applies to the stimulus and not the measurements defined in 6.6.1, 6.6.2 and 6.6.4. | Wanted signal level - interferer level = 30 dB  | 0 dB  | <p>Formula: Ratio + TT</p> <p>Wanted signal level - interferer level = 30 + 0 dB</p>  |

## C.2 Measurement of receiver

Table C.2-1: Derivation of test requirements (Receiver tests)

| Test  | Minimum Requirement in TS 37.104  | Test Tolerance (TT) | Test Requirement   |
|---|---|---------------------|--|
| 7.4.5.1 In-band selectivity and blocking, General blocking requirement            | Wanted Signal mean power = $P_{\text{REFSENS}} + x$ dB, where x is equal to 6 in case of E-UTRA or UTRA and equal to 3 in case of GSM/EDGE.<br><br>Interferer signal mean power: -40 dBm. | 0 dB                | Formula: Wanted signal power + TT.<br><br>Interferer signal power unchanged.   |
| 7.4.5.2 In-band selectivity and blocking, General narrowband blocking requirement | Wanted Signal mean power = $P_{\text{REFSENS}} + x$ dB, where x is equal to 6 in case of E-UTRA or UTRA and equal to 3 in case of GSM/EDGE.<br><br>Interferer signal mean power: -49 dBm. | 0 dB                | Formula: Wanted signal power + TT.<br><br>Interferer signal power unchanged.   |
| 7.4.5.5 In-band selectivity and blocking, Additional BC3 requirement              | Wanted Signal mean power = $P_{\text{REFSENS}} + x$ dB, where x is equal to 6 in case of E-UTRA or UTRA.<br><br>Interferer signal mean power: -40 dBm.                                    | 0 dB                | Formula: Wanted signal power + TT.<br><br>Interferer signal power unchanged.   |
| 7.5.5.1 Out-of-band blocking, General requirement                                 | Wanted Signal mean power = $P_{\text{REFSENS}} + x$ dB, where x is equal to 6 in case of E-UTRA or UTRA and equal to 3 in case of GSM/EDGE.<br><br>Interferer signal mean power: -15 dBm. | 0 dB                | Formula: Wanted signal power + TT.<br><br>Interferer signal power unchanged.   |
| 7.5.5.2 Out-of-band blocking, Co-location   | Wanted Signal mean power = $P_{\text{REFSENS}} + x$ dB, where x is equal to 6 in case of E-UTRA or UTRA and equal to 3 in case of GSM/EDGE.<br><br>Interferer signal mean power: +16 dBm. | 0 dB                | Formula: Wanted signal power + TT.<br><br>Interferer signal power unchanged.   |
| 7.6.5 Receiver spurious emissions   | Maximum level defined in Tables 7.6.5.1-1 and 7.6.5.2-1 of TS 37.104 [2].   | 0 dB                | Formula: Maximum level + TT  |
| 7.7.5.1 Receiver intermodulation, General requirement                             | Wanted Signal mean power = $P_{\text{REFSENS}} + x$ dB, where x is equal to 6 in case of E-UTRA or UTRA and equal to 3 in case of GSM/EDGE.<br><br>Interferer signal mean power: -48 dBm. | 0 dB                | Formula: Wanted signal mean power + TT.<br><br>CW interferer signal power unchanged.<br><br>Modulated interferer signal power unchanged. |
| 7.7.5.2 Receiver intermodulation, General narrowband requirement                  | Wanted Signal mean power = $P_{\text{REFSENS}} + x$ dB, where x is equal to 6 in case of E-UTRA or UTRA and equal to 3 in case of GSM/EDGE.<br><br>Interferer signal mean power: -52 dBm. | 0 dB                | Formula: Wanted signal mean power + TT.<br><br>CW interferer signal power unchanged.<br><br>Modulated interferer signal power unchanged. |

---

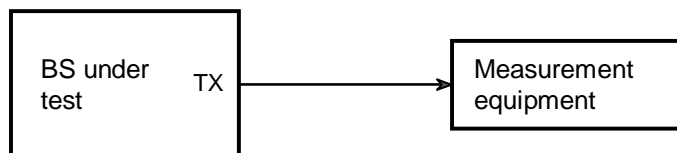
## Annex D (informative): Measurement system set-up

Example of measurement system set-ups are attached below as an informative annex.

---

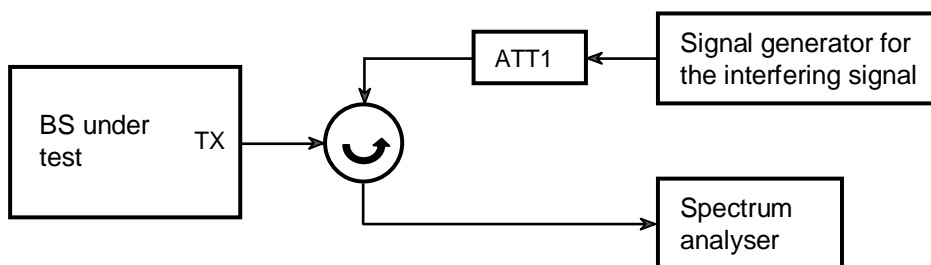
### D.1 Transmitter

#### D.1.1 Base station output power, transmitter ON/OFF power, modulation quality, transmitter spurious emissions and operating band unwanted emissions



**Figure D.1-1: Measuring system set-up for base station output power, transmitter ON/OFF power, modulation quality, transmitter spurious emissions and operating band unwanted emissions**

#### D.1.2 Transmitter intermodulation



**Figure D.1-2: Measuring system set-up for transmitter intermodulation**

## D.2 Receiver

### D.2.1 Blocking characteristics

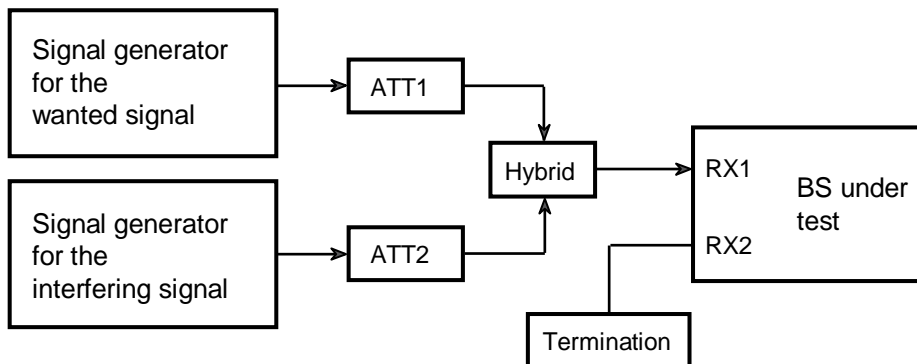


Figure D.2-1: Measuring system set-up for blocking characteristics

### D.2.2 Receiver spurious emissions

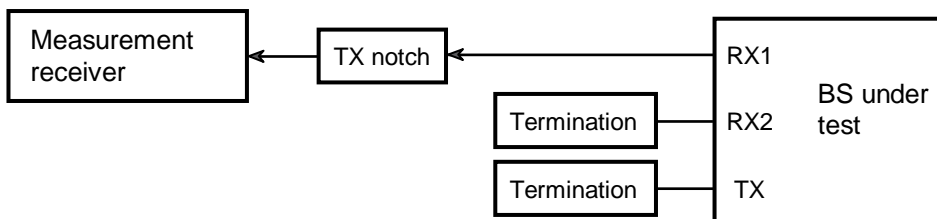


Figure D.2-2: Measuring system set-up for receiver spurious emissions

### D.2.3 Receiver intermodulation

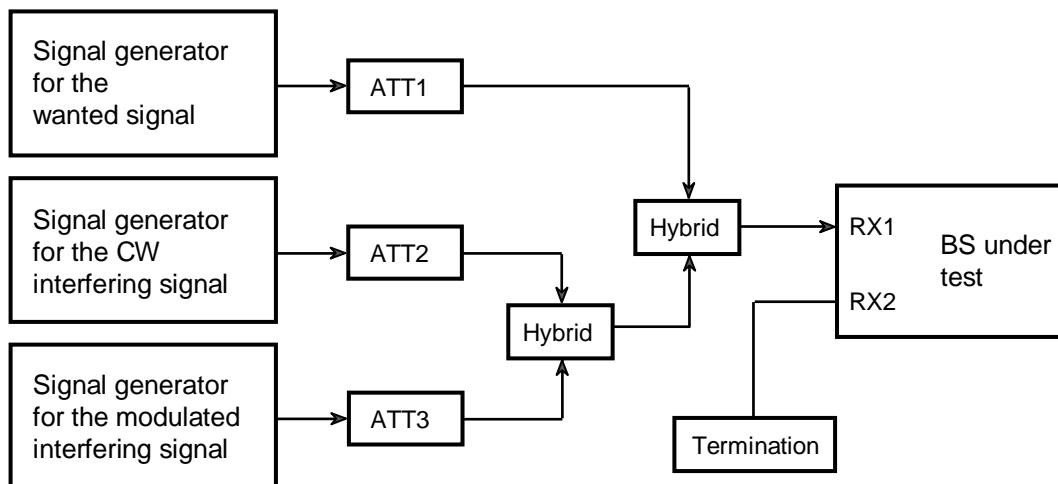


Figure D.2-3: Measuring system set-up for receiver intermodulation

## Annex E (normative): E-UTRA Test model for BC3 CS3 BS

### E.0 BC3 CS3 Test model description

The set-up of physical channels for E-UTRA TDD in part of BC3 CS3 BS transmitter tests shall be according to the applicable test models shown below. A detailed reference to the applicable test model is made in subclause 4.9.2.

The parameters in 36.141 subclause 6.1.1 shall be reused by the test models in E.1 to E.6 with the following exceptions,

- Duration is 30 subframes (30ms), e.g. number of frames for the test model is 3. Measurement interval is the first 25ms.
- Uplink/downlink configuration 1 and special subframe configuration 7 shall be used as shown in talbe E-1.

**Table E-1: Configurations**

| Downlink-to-Uplink Switch-point periodicity | Number of UL/DL subframes per half frame (10 ms) |    | DwPTS             | GP               | UpPTS            |
|---|--|----|-------------------|------------------|------------------|
|   | DL   | UL |                   |                  |                  |
| 5ms   | 2  | 2  | $21952 \cdot T_s$ | $4384 \cdot T_s$ | $4384 \cdot T_s$ |

The test models in E.1 to E.6 shall be constructed based on the corresponding test model in 36.141 along with the principles on data mapping between the test models in E.1 to E.6 and the test models in 36.141 Subclause 6.1.1.1 to 6.1.1.6 as shown in Table E-2.

**Table E-2: Numbers ( $n_{PRB}$ ) of the boosted PRBs**

| Frame1 | Subframe 0 | Subframe 1 | Subframe 4 | Subframe 5 | Subframe 6 | Subframe 9 |
|--------|------------|------------|------------|------------|------------|------------|
| Note   | NOTE 1     | NOTE 1     | NOTE 2     | NOTE 1     | NOTE 1     | NOTE 1     |

| Frame2 | Subframe 0 | Subframe 1 | Subframe 4 | Subframe 5 | Subframe 6 | Subframe 9 |
|--------|------------|------------|------------|------------|------------|------------|
| Note   | NOTE 1     | NOTE 1     | NOTE 3     | NOTE 1     | NOTE 1     | NOTE 1     |

| Frame3 | Subframe 0 | Subframe 1 | Subframe 4 | Subframe 5 | Subframe 6 | Subframe 9 |
|--------|------------|------------|------------|------------|------------|------------|
| Note   | NOTE 4     | NOTE 5     | NOTE 6     | N/A        | N/A        | N/A        |

NOTE 1: The data in this subframe shall re-use the same data as specified in the corresponding subframe of the corresponding test models in 36.141 subclause 6.1.1.

NOTE 2: The data in this subframe shall re-use the same data as specified in subframe 7 of Frame 1 in the corresponding test model in 36.141 subclause 6.1.1.

NOTE 3: The data in this subframe shall re-use the same data as specified in subframe 8 of Frame 1 in the corresponding test model in 36.141 subclause 6.1.1.

NOTE 4: The data in this subframe shall re-use the same data as specified in subframe 7 of Frame 2 in the corresponding test model in 36.141 subclause 6.1.1.

NOTE 5: The data in this subframe shall re-use the same data as specified in subframe 1 of Frame 2 in the corresponding test model in 36.141 subclause 6.1.1.

NOTE 6: The data in this subframe shall re-use the same data as specified in subframe 8 of Frame 2 in the corresponding test model in 36.141 subclause 6.1.1.



---

## E.1 E-UTRA Test Model 1.1 (E-TM1.1\_BC3CS3)

This test model shall be constructed based on E-TM 1.1 in 36.141 subclause 6.1.1.1 according to the data mapping principals elaborated in Table E-2.

---

## E.2 E-UTRA Test Model 1.2 (E-TM1.2\_BC3CS3)

This test model shall be constructed based on E-TM 1.2 in 36.141 subclause 6.1.1.2 according to the data mapping principles elaborated in Table E-2.

---

## E.3 E-UTRA Test Model 2 (E-TM2\_BC3CS3)

This test model shall be constructed based on E-TM 2 in 36.141 subclause 6.1.1.3 according to the data mapping principles elaborated in Table E-2.

---

## E.4 E-UTRA Test Model 3.1 (E-TM3.1\_BC3CS3)

This test model shall be constructed based on E-TM 3.1 in 36.141 subclause 6.1.1.4 according to the data mapping principles elaborated in Table E-2.

---

## E.5 E-UTRA Test Model 3.2 (E-TM3.2\_BC3CS3)

This test model shall be constructed based on E-TM 3.2 in 36.141 subclause 6.1.1.5 according to the data mapping principles elaborated in Table E-2.

---

## E.6 E-UTRA Test Model 3.3 (E-TM3.3\_BC3CS3)

This test model shall be constructed based on E-TM 3.3 in 36.141 subclause 6.1.1.6 according to the data mapping principles elaborated in Table E-2.

## Annex F (informative): Change history

| Change history |          |           |    |     |  |       |       |
|----------------|----------|-----------|----|-----|--|-------|-------|
| Date           | TSG #    | TSG Doc.  | CR | Rev | Subject/Comment  | Old   | New   |
| 2009-10        | R4#52bis | R4-093772 |    |     | Specification skeleton created from 3GPP TS template   |       | 0.0.1 |
| 2009-11        | R4#53    | R4-094778 |    |     | Agreed Text Proposals in RAN4#53:<br><b>R4-094507</b> , "TP for TS 37.141 clause 2 and 3."<br><b>R4-094805</b> , "TP for TS 37.141 clause 4.11; BS Configurations."<br><b>R4-094871</b> , "TP for TS 37.141 clause 4.1, 4.2, 4.3, 4.4 and 4.5."<br><b>R4-094872</b> , "TP for TS 37.141 Annex C; Test Tolerances and derivation of test requirements."   | 0.0.1 | 0.1.0 |
| 2010-02        | R4#54    | R4-100579 |    |     | Agreed Text Proposals in RAN4 AH#1:<br><b>R4-100026</b> , "TP for TS37.141: Format and interpretation of tests"<br><b>R4-100028</b> , "TP for TS37.141: Selection of configurations for testing"<br><b>R4-100241</b> , "TP for TS 37.141 clause 2, 3 and 4."   | 0.1.0 | 0.2.0 |
| 2010-02        | R4#54    | R4-100975 |    |     | Agreed Text Proposals in RAN4#54:<br><b>R4-100405</b> , "TP for TS37.141: Manufacturers declarations of regional and optional requirements"<br><b>R4-100863</b> , "TP Manufacturers declaration of supported RF configurations for section 4.7"<br><b>R4-100986</b> , "TP for TS 37.141 clause 6.6.1; Transmitter spurious emissions"<br><b>R4-101036</b> , "TP MSR test configurations for section 4.8"   | 0.2.0 | 0.3.0 |
| 2010-04        | R4#55    | R4-101576 |    |     | Agreed Text Proposals in RAN4 AH#2 and E-mail approved Text Proposals after RAN4 AH#2:<br><b>R4-101186</b> , "TP for TS 37.141 clause 6.6.4; Adjacent Channel Leakage power Ratio (ACLR)"<br><b>R4-101207</b> , "TP for manufacturers declaration, subclause 4.7.2"<br><b>R4-101208</b> , "TP TDD test configurations, subclause 4.8"<br><b>R4-101510</b> , "TP for requirements and test configuration applicability, subclause 5.1"<br><b>R4-101511</b> , "TP for requirements and test configuration applicability, subclause 5.2"<br><b>R4-101512</b> , "TP for capability set, subclause 4.7.1"<br><b>R4-101514</b> , "TP for update of Transmitter spurious emissions test in TS 37.141"<br><b>R4-101515</b> , "TP for TS 37.141 clause 6.7; Transmitter intermodulation"<br><b>R4-101520</b> , "Text proposal for 37.141 on B, M and T channels definition"<br><b>R4-101521</b> , "TP for TS 37.141, clause 7.2 MSR Receiver reference sensitivity level"<br><b>R4-101522</b> , "TP for TS 37.141 clause 7.3; Dynamic range"<br><b>R4-101523</b> , "TP for TS 37.141 clause 6.6.2; Operating band unwanted emissions"<br><b>R4-101524</b> , "TP for TS 37.141, clause 7.4 MSR Receiver in-band selectivity and blocking"<br><b>R4-101525</b> , "TP for TS 37.141, clause 7.5 MSR Receiver out-of-band-blocking"<br><b>R4-101526</b> , "TP for TS 37.141, clause 7.6 MSR Receiver spurious emissions"<br><b>R4-101527</b> , "TP for TS 37.141, clause 7.7 MSR Receiver intermodulation"<br><b>R4-101528</b> , "TP for TS 37.141, clause 7.8 MSR Receiver in-channel selectivity"<br><b>R4-101542</b> , "TP for TS 37.141 clause 6.6.3: Occupied bandwidth" | 0.3.0 | 0.4.0 |
| 2010-05        | R4#55    | R4-102216 |    |     | Agreed Text Proposals in RAN4#54:<br><b>R4-101882</b> , "TP for TS 37.141; Transmitter Test uncertainties"   | 0.4.0 | 0.5.0 |

|         |       |           |     |   |   |        |        |
|---------|-------|-----------|-----|---|---|--------|--------|
|         |       |           |     |   | <b>R4-101884</b> , "TP for TS 37.141; clause 4.4 Operating band update"<br><b>R4-101885</b> , "TP for TS 37.141; Adding missing text in subclause 4.11.5 and 4.11.7"<br><b>R4-102058</b> , "Corrections for subclause 4.1"<br><b>R4-102059</b> , "Corrections for Annex C"<br><b>R4-102060</b> , "Corrections for subclauses 4.9, 4.10"<br><b>R4-102061</b> , "Corrections for subclauses 4.11, 4.12"<br><b>R4-102062</b> , "Corrections for subclause 5"<br><b>R4-102086</b> , "Corrections to clause 7.1"<br><b>R4-102087</b> , "Corrections to clause 7.2"<br><b>R4-102088</b> , "Corrections to clause 7.3"<br><b>R4-102093</b> , "Corrections to clause 7.8"<br><b>R4-102096</b> , "TS 37.141: TP for Co-existence with services in adjacent frequency bands"<br><b>R4-102129</b> , "Spurious emissions limits and blocking requirements for coexistence with CDMA850"<br><b>R4-102173</b> , "TP for TS 37.141; clause 4.3 Regional Requirements"<br><b>R4-102245</b> , "TP for TS 37.141 clause 6.5.3; Time alignment between transmitter branches"<br><b>R4-102249</b> , "Corrections to clause 7.4"<br><b>R4-102250</b> , "Corrections to clause 7.5"<br><b>R4-102251</b> , "Corrections to clause 7.6"<br><b>R4-102252</b> , "Corrections to clause 7.7"<br><b>R4-102273</b> , "TP for TS 37.141; Clause 6.2 BS output power"<br><b>R4-102274</b> , "TP for Clause 4.9.2"<br><b>R4-102275</b> , "Corrections for subclause 6.6.1"<br><b>R4-102276</b> , "Corrections for subclause 6.6.2"<br><b>R4-102277</b> , "Corrections for subclause 6.6.3"<br><b>R4-102278</b> , "Corrections for subclause 6.6.4"<br><b>R4-102282</b> , "Corrections for subclause 4.8"<br><b>R4-102279</b> , "TP for TS 37.141; Clause 6.7 Tx IM clarification" |        |        |
| 2010-06 | RP#48 | RP-100580 |     |   | Presentation to TSG RAN plenary.  | 0.5.0  | 1.0.0  |
| 2010-06 | RP#48 | RP-100580 |     |   | Approved by TSG RAN plenary.  | 1.0.0  | 9.0.0  |
| 2010-09 | RP-49 | RP-100923 | 002 | 1 | Clarifications on Base Station transmit and receive configurations  | 9.0.0  | 9.1.0  |
| 2010-09 | RP-49 | RP-100923 | 003 | 2 | Annex B: Environmental conditions   | 9.0.0  | 9.1.0  |
| 2010-09 | RP-49 | RP-100923 | 006 |   | Adding transmitter test tolerances  | 9.0.0  | 9.1.0  |
| 2010-09 | RP-49 | RP-100923 | 008 |   | Adding test System Uncertainty for transmitter spurious emission tests  | 9.0.0  | 9.1.0  |
| 2010-09 | RP-49 | RP-100923 | 009 | 1 | Correction of the Ancillary RF Amplifiers references and references to Annex A, B and D   | 9.0.0  | 9.1.0  |
| 2010-09 | RP-49 | RP-100923 | 010 |   | Update of the Transmitter characteristics General subclause   | 9.0.0  | 9.1.0  |
| 2010-09 | RP-49 | RP-100923 | 013 | 1 | Adding Modulation quality and Frequency error test cases  | 9.0.0  | 9.1.0  |
| 2010-09 | RP-49 | RP-100923 | 014 |   | Correction of the NOTEs in the transmitter intermodulation procedure  | 9.0.0  | 9.1.0  |
| 2010-09 | RP-49 | RP-100923 | 015 |   | Characteristics of interfering signals  | 9.0.0  | 9.1.0  |
| 2010-09 | RP-49 | RP-100923 | 021 | 1 | Test configuration and power allocation completion  | 9.0.0  | 9.1.0  |
| 2010-09 | RP-49 | RP-100923 | 023 |   | TS 37.141 Clause 6.3; Output power dynamics   | 9.0.0  | 9.1.0  |
| 2010-09 | RP-49 | RP-100923 | 024 |   | General corrections for the MSR test specification  | 9.0.0  | 9.1.0  |
| 2010-09 | RP-49 | RP-100923 | 025 |   | Maximum Test system Uncertainty for Occupied bandwidth and Transmitter intermodulation  | 9.0.0  | 9.1.0  |
| 2010-09 | RP-49 | RP-100923 | 026 | 1 | Adding test tolerances and test system uncertainty for receiver spurious emissions tests  | 9.0.0  | 9.1.0  |
| 2010-09 | RP-49 | RP-100923 | 027 | 1 | Measurement set-ups for transmitter and receiver tests  | 9.0.0  | 9.1.0  |
| 2010-09 | RP-49 | RP-100923 | 028 |   | Modification on testing of time mask of BC3 base station  | 9.0.0  | 9.1.0  |
| 2010-09 | RP-49 | RP-100928 | 022 |   | CR LTE_TDD_2600_US spectrum band definition additions to TS 37.141  | 9.1.0  | 10.0.0 |
| 2010-12 | RP-50 | RP-101345 | 036 |   | Band XII/12 frequency range   | 10.0.0 | 10.1.0 |
| 2010-12 | RP-50 | RP-101346 | 032 |   | Adding missing Test System Uncertainty for the receiver tests   | 10.0.0 | 10.1.0 |
| 2010-12 | RP-50 | RP-101346 | 034 |   | TS 37.141 Subclause 7.7; Receiver intermodulation   | 10.0.0 | 10.1.0 |

|         |       |           |     |   |  |        |        |
|---------|-------|-----------|-----|---|--|--------|--------|
|         |       |           |     |   |  | 0      | 0      |
| 2010-12 | RP-50 | RP-101356 | 029 | 4 | Band 42 and 43 parameters for UMTS/LTE 3500 (TDD) for TS 37.141                            | 10.0.0 | 10.1.0 |
| 2010-12 | RP-50 | RP-101361 | 030 |   | Protection of E-UTRA Band 24   | 10.0.0 | 10.1.0 |
| 2011-04 | RP-51 | RP-110344 | 039 | 1 | Receiver intermodulation reference correction  | 10.1.0 | 10.2.0 |
| 2011-04 | RP-51 | RP-110352 | 043 | 1 | Correction of the test port description for TS 37.141 Rel-10                               | 10.1.0 | 10.2.0 |
| 2011-04 | RP-51 | RP-110357 | 044 | - | Band 42 and 43 co-existence for UMTS/LTE 3500 (TDD) for TS 37.141                          | 10.1.0 | 10.2.0 |
| 2011-06 | RP-52 | RP-110814 | 051 |   | Fixing Band 24 inclusion in TS 37.141  | 10.2.0 | 10.3.0 |
| 2011-06 | RP-52 | RP-110794 | 053 |   | Modifications to Band 3 to allow LTE Band 3 operation in Japan (Rel-10 TS37.141 CR)        | 10.2.0 | 10.3.0 |
| 2011-06 | RP-52 | RP-110804 | 054 |   | Add Expanded 1900MHz band in 37.141  | 10.2.0 | 10.3.0 |
| 2011-06 | RP-52 | RP-110794 | 058 |   | Correction of RX spurious emissions for non-GSM/EDGE configurations                        | 10.2.0 | 10.3.0 |
| 2011-06 | RP-52 | RP-110802 | 063 |   | Co-existence/co-location between Band 42 and 43 in TS 37.141                               | 10.2.0 | 10.3.0 |
| 2011-06 | RP-52 | RP-110794 | 073 | 1 | Correction for TS 37.141   | 10.2.0 | 10.3.0 |
| 2011-06 | RP-52 | RP-110794 | 060 | 1 | General corrections for TS 37.141  | 10.2.0 | 10.3.0 |
| 2011-06 | RP-52 | RP-110813 | 056 | 1 | Add 2GHz S-Band (Band 23) in 37.141  | 10.2.0 | 10.3.0 |
| 2011-06 | RP-52 | RP-110794 | 071 | 2 | Correction on Modulation Quality Testing in TS 37.141                                      | 10.2.0 | 10.3.0 |
| 2011-06 | RP-52 | RP-110794 | 065 | 2 | Revision of Time Alignment Error definition  | 10.2.0 | 10.3.0 |
| 2011-06 | RP-52 | RP-110794 | 068 | 1 | Correction on MSR Test Configuration (Rel-10)  | 10.2.0 | 10.3.0 |
| 2011-09 | RP-53 | RP-111252 | 076 |   | Correction of receiver conformance testing   | 10.3.0 | 10.4.0 |
| 2011-09 | RP-53 | RP-111252 | 083 |   | Correction on TR 37.141 sub-clause 6.6.2.5   | 10.3.0 | 10.4.0 |
| 2011-09 | RP-53 | RP-111255 | 081 |   | Add Band 22/XXII for LTE/UMTS 3500 (FDD) to TS 37.141                                      | 10.3.0 | 10.4.0 |
| 2011-09 | RP-53 | RP-111256 | 085 |   | Introduction of test requirements for MSR-NC in 37.141                                     | 10.3.0 | 10.4.0 |
| 2011-09 | RP-53 | RP-111262 | 078 |   | Co-existence and co-location corrections in 37.141   | 10.3.0 | 10.4.0 |
| 2011-09 | RP-53 | RP-111265 | 066 | 2 | Introduction of Carrier Aggregation for LTE in TS 37.141                                   | 10.3.0 | 10.4.0 |
| 2011-09 | RP-53 | RP-111267 | 084 | 1 | Two carrier test case for MSR  | 10.3.0 | 10.4.0 |
| 2011-12 | RP-54 | RP-111735 | 086 |   | Definition of multi-carrier configuration  | 10.4.0 | 10.5.0 |
| 2011-12 | RP-54 | RP-111734 | 087 |   | Clarification of general blocking requirements for co-existence in TS 37.141               | 10.4.0 | 10.5.0 |
| 2011-12 | RP-54 | RP-111735 | 088 |   | CR to TS37.141 Adding the OBW requirements for carrier aggregation                         | 10.4.0 | 10.5.0 |
| 2011-12 | RP-54 | RP-111690 | 092 | 1 | update to improve readability of tables in section 4.4 of 37.141                           | 10.4.0 | 10.5.0 |
| 2011-12 | RP-54 | RP-111735 | 093 |   | Correction of MSR NC requirements  | 10.4.0 | 10.5.0 |
| 2011-12 | RP-54 | RP-111683 | 096 | 1 | Alignment of TC carrier position with channel raster in TS 37.141 (Rel-10)                 | 10.4.0 | 10.5.0 |
| 2011-12 | RP-54 | RP-111735 | 097 |   | Clarification of multi-carrier transmission and reception with multiple antenna connectors | 10.4.0 | 10.5.0 |
| 2011-12 | RP-54 | RP-111687 | 098 | 2 | TX ON or OFF CR 37.141   | 10.4.0 | 10.5.0 |
| 2011-12 | RP-54 | RP-111733 | 099 |   | Correction of frequency range for spurious emission requirements                           | 10.4.0 | 10.5.0 |
| 2012-03 | RP-55 | RP-120303 | 106 |   | Correction on BS Spurious emissions limits for co-existence                                | 10.5.0 | 10.6.0 |

|         |       |           |     |   |  |        |        |
|---------|-------|-----------|-----|---|--|--------|--------|
|         |       |           |     |   | with Band 25 uplink  | 0      | 0      |
| 2012-03 | RP-55 | RP-120303 | 107 |   | Absolute limit for CA CLR: Removal of brackets   | 10.5.0 | 10.6.0 |
| 2012-03 | RP-55 | RP-120304 | 109 | 1 | Definition of synchronized operation   | 10.5.0 | 10.6.0 |
| 2012-03 | RP-55 | RP-120303 | 110 | 1 | Introduction of NC operation for TDD in 37.141   | 10.5.0 | 10.6.0 |
| 2012-03 | RP-55 | RP-120305 | 105 |   | Add Extending 850 MHz Upper Band (814 - 849 MHz) to TS37.141                           | 10.6.0 | 11.0.0 |
| 2012-06 | RP-56 | RP-120770 | 114 |   | Correct maximum test system uncertainty for transmit ON/OFF power                      | 11.0.0 | 11.1.0 |
| 2012-06 | RP-56 | RP-120778 | 118 |   | Correcting a test configuration in TS 37.141   | 11.0.0 | 11.1.0 |
| 2012-06 | RP-56 | RP-120779 | 121 |   | Correction on ACLR procedure and test requirement                                      | 11.0.0 | 11.1.0 |
| 2012-06 | RP-56 | RP-120771 | 124 |   | Transmitter intermodulation applicability clarification for single-RAT specifications  | 11.0.0 | 11.1.0 |
| 2012-06 | RP-56 | RP-120793 | 125 |   | Introduction of APAC700(FDD) into TS 37.141  | 11.0.0 | 11.1.0 |
| 2012-06 | RP-56 | RP-120778 | 127 |   | Correction of the manufacturer's declaration   | 11.0.0 | 11.1.0 |
| 2012-06 | RP-56 | RP-120778 | 129 | 1 | Correction of test case for transmitter intermodulation requirement of BC1             | 11.0.0 | 11.1.0 |
| 2012-06 | RP-56 | RP-120779 | 131 |   | Corrections for MSR and MSR-NC   | 11.0.0 | 11.1.0 |
| 2012-06 | RP-56 | RP-120777 | 135 |   | Additional BC3 blocking  | 11.0.0 | 11.1.0 |
| 2012-06 | RP-56 | RP-120793 | 136 | 1 | Introduction of Band 44  | 11.0.0 | 11.1.0 |
| 2012-06 | RP-56 | RP-120792 | 137 | 2 | Introduction of e850_LB (Band 27) to TS 37.141   | 11.0.0 | 11.1.0 |
| 2012-09 | RP-57 | RP-121310 | 139 | - | Correct the $f_{offsetmax}$ definition for TS 37.141                                   | 11.1.0 | 11.2.0 |
| 2012-09 | RP-57 | RP-121308 | 140 | 2 | Reusing band 41 requirements for the Japan 2.5G TDD band                               | 11.1.0 | 11.2.0 |
| 2012-09 | RP-57 | RP-121310 | 142 | 1 | Intra-band non-contiguous receiver requirements  | 11.1.0 | 11.2.0 |
| 2012-09 | RP-57 | RP-121310 | 144 | - | Deleting additional BC3 transmitter intermodulation requirement for NC MSR             | 11.1.0 | 11.2.0 |
| 2012-09 | RP-57 | RP-121300 | 147 | - | Modifications of frequency ranges on spurious emission requirements for Band 6, 18, 19 | 11.1.0 | 11.2.0 |
| 2012-09 | RP-57 | RP-121311 | 149 | - | Clarification of non-contiguous BC1 transmitter intermodulation requirements           | 11.1.0 | 11.2.0 |
| 2012-09 | RP-57 | RP-121311 | 151 | 1 | Clean-up of ACLR wording for MSR-NC  | 11.1.0 | 11.2.0 |
| 2012-09 | RP-57 | RP-121312 | 153 | - | BS test uncertainties above 3 GHz  | 11.1.0 | 11.2.0 |
| 2012-09 | RP-57 | RP-121340 | 155 | - | Modification to increase GSM Carrier Power in MSR BS for Band Category 2               | 11.1.0 | 11.2.0 |
| 2012-09 | RP-57 |           |     |   | Editorial correction in Table 6.6.2.5.2-2  | 11.2.0 | 11.2.1 |
| 2012-12 | RP-58 | RP-121857 | 158 | - | Correction to additional BS spurious emissions limits for BC2                          | 11.2.1 | 11.3.0 |
| 2012-12 | RP-58 | RP-121859 | 161 | - | Correction of PHS protection requirement   | 11.2.1 | 11.3.0 |
| 2012-12 | RP-58 | RP-121867 | 165 | - | Clean up of specification R11  | 11.2.1 | 11.3.0 |
| 2012-12 | RP-58 | RP-121907 | 166 | - | Introduction of new BS classes to MSR specification (general parts)                    | 11.2.1 | 11.3.0 |
| 2012-12 | RP-58 | RP-121867 | 167 | - | Correction to test requirements of operating band unwanted emissions                   | 11.2.1 | 11.3.0 |
| 2012-12 | RP-58 | RP-121907 | 169 | - | Introduction of new BS classes to TS37.141 (Transmitter part)                          | 11.2.1 | 11.3.0 |
| 2012-12 | RP-58 | RP-121864 | 171 | - | Transmitter IM correction for MSR-NC   | 11.2.1 | 11.3.0 |
| 2012-12 | RP-58 | RP-121907 | 172 | - | Introduction of new BS classes to MSR test specification                               | 11.2.1 | 11.3.0 |

|         |       |           |     |   |  |        |        |
|---------|-------|-----------|-----|---|--|--------|--------|
|         |       |           |     |   | (receiver part)  | 1      | 0      |
| 2012-12 | RP-58 | RP-121867 | 175 | - | Removal of conflicts in ACLR requirement   | 11.2.1 | 11.3.0 |
| 2012-12 | RP-58 | RP-121861 | 178 | - | Change to CA combination list from table to reference  | 11.2.1 | 11.3.0 |
| 2012-12 | RP-58 | RP-121867 | 180 | - | Clarification of BS output power test under extreme power supply conditions  | 11.2.1 | 11.3.0 |
| 2012-12 | RP-58 | RP-121902 | 181 | - | Introduction of Band 29  | 11.2.1 | 11.3.0 |
| 2012-12 | RP-58 | RP-121857 | 182 |   | Modification to increase GSM Carrier Power in MSR BS for Band Category 2   | 11.2.1 | 11.3.0 |
| 2013-03 | RP-59 | RP-130274 | 187 |   | Correction to MSR BS classes conformance test requirements   | 11.3.0 | 11.4.0 |
| 2013-03 | RP-59 | RP-130287 | 188 |   | Band 41 requirements for operation in Japan  | 11.3.0 | 11.4.0 |
| 2013-06 | RP-60 | RP-130763 | 189 |   | Correcting Time alignment between transmitter branches title in section 5 in TS37.141  | 11.4.0 | 11.5.0 |
| 2013-06 | RP-60 | RP-130764 | 193 |   | Corrections to transmitter intermodulation test requirement  | 11.4.0 | 11.5.0 |
| 2013-06 | RP-60 | RP-130764 | 198 |   | Correction on UTRA and E-UTRA multi RAT non-contiguous test configuration  | 11.4.0 | 11.5.0 |
| 2013-06 | RP-60 | RP-130763 | 201 |   | channel raster   | 11.4.0 | 11.5.0 |
| 2013-06 | RP-60 | RP-130792 | 202 | 1 | Introduction of Band 30  | 11.5.0 | 12.0.0 |
| 2013-06 | RP-60 | RP-130790 | 203 |   | Introduction of LTE 450 into TS 37.141   | 11.5.0 | 12.0.0 |
| 2013-09 | RP-61 | RP-131280 | 207 |   | Correction on reference number   | 12.0.0 | 12.1.0 |
| 2013-09 | RP-61 | RP-131280 | 212 |   | UEM requirement in BC2 for lower BS output power   | 12.0.0 | 12.1.0 |
| 2013-12 | RP-62 | RP-131927 | 215 |   | Clarification of Tx IM requirement for BC1 band supporting non-contiguous operation  | 12.1.0 | 12.2.0 |
| 2013-12 | RP-62 | RP-131934 | 217 |   | Introduction of receiver test requirements for multi-band BS   | 12.1.0 | 12.2.0 |
| 2013-12 | RP-62 | RP-131934 | 219 |   | Introduction of multi-band operation to TS 37.141 (Clause 6)<br>Partially Implemented: changes to section 6.6.4.5.4 are not implemented as are not based on the latest version of the spec | 12.1.0 | 12.2.0 |
| 2013-12 | RP-62 | RP-131925 | 223 |   | Correction on capability of test configurations for BC3  | 12.1.0 | 12.2.0 |
| 2013-12 | RP-62 | RP-131934 | 225 |   | Introduction of Multi-band operation in TS37.141(clause 1~3)   | 12.1.0 | 12.2.0 |
| 2013-12 | RP-62 | RP-131960 | 233 |   | Changes to TS 37.141 for LTE_CA_C_B27  | 12.1.0 | 12.2.0 |
| 2013-12 | RP-62 | RP-131934 | 235 |   | Introduction of MB-MSR Manufacturer's declaration to TS 37.141   | 12.1.0 | 12.2.0 |
| 2013-12 | RP-62 | RP-131926 | 242 |   | Introduction of secondary CPICH requirement  | 12.1.0 | 12.2.0 |
| 2013-12 | RP-62 | RP-131934 | 244 |   | Introduction of multi-band BS testing to TS 37.141 (Clauses 4.8 4.11)  | 12.1.0 | 12.2.0 |
| 2013-12 | RP-62 | RP-131934 | 246 |   | Update of TS 37.141 for MB-MSR   | 12.1.0 | 12.2.0 |
| 2013-12 | RP-62 | RP-131934 | 251 |   | Applicability of requirements and test configurations for MB-MSR   | 12.1.0 | 12.2.0 |
| 2013-12 | RP-62 | RP-131967 | 252 | 1 | Band 41 deployment in Japan  | 12.1.0 | 12.2.0 |
| 03-2014 | RP-63 | RP-140372 | 259 |   | Correction on manufacturer's declaration in TS37.141   | 12.2.0 | 12.3.0 |
| 03-2014 | RP-63 | RP-140372 | 261 |   | Some corrections for MB-MSR in TS 37.141   | 12.2.0 | 12.3.0 |
| 03-2014 | RP-63 | RP-140368 | 265 |   | Correction on RF channels  | 12.2.0 | 12.3.0 |
| 03-2014 | RP-63 | RP-140367 | 269 |   | Test models for BC3 BS   | 12.2.0 | 12.3.0 |

|         |       |           |     |   |  |        |        |
|---------|-------|-----------|-----|---|--|--------|--------|
| 03-2014 | RP-63 | RP-140367 | 273 |   | Differential accuracy of Primary CCPCH power   | 12.2.0 | 12.3.0 |
| 03-2014 | RP-63 | RP-140368 | 281 |   | Clarification of interfering signals for receiver intermodulation requirement in MSR | 12.2.0 | 12.3.0 |
| 03-2014 | RP-63 | RP-140372 | 282 |   | Multi-band corrections in 37.141 chapter 6   | 12.2.0 | 12.3.0 |
| 03-2014 | RP-63 | RP-140372 | 284 |   | Multi-band corrections in 37.141 chapter 7   | 12.2.0 | 12.3.0 |
| 06-2014 | RP-64 | RP-140910 | 291 |   | Clarification of power allocation for RX test cases in TS 37.141 (Rel-12)            | 12.3.0 | 12.4.0 |
| 06-2014 | RP-64 | RP-140913 | 303 |   | Clarification on definitions and ACLR requirement in TS37.141                        | 12.3.0 | 12.4.0 |
| 06-2014 | RP-64 | RP-140913 | 286 |   | Multi-band corrections in 37.141 chapter 6   | 12.3.0 | 12.4.0 |
| 06-2014 | RP-64 | RP-140913 | 288 | 1 | Multi-band corrections in 37.141 chapter 7   | 12.3.0 | 12.4.0 |
| 06-2014 | RP-64 | RP-140913 | 312 |   | Correction of UEM for Medium Range and Local Area BS                                 | 12.3.0 | 12.4.0 |
| 06-2014 | RP-64 | RP-140914 | 299 |   | Band 29 correction   | 12.3.0 | 12.4.0 |
| 06-2014 | RP-64 | RP-140918 | 321 |   | Clarification of Foffset-RAT in relation to radio bandwidth in TS 37.141 (Rel-12)    | 12.3.0 | 12.4.0 |
| 06-2014 | RP-64 | RP-140918 | 309 |   | BS output power definitions and testing  | 12.3.0 | 12.4.0 |
| 06-2014 | RP-64 | RP-140926 | 307 | 1 | Introduction of Band 32/XXXII  | 12.3.0 | 12.4.0 |
| 09-2014 | RP-65 | RP-141526 | 324 | 1 | Removal of FFS for TC4   | 12.4.0 | 12.5.0 |
| 09-2014 | RP-65 | RP-141528 | 336 | - | Correction on UEM related to multi-band operation in TS37.141                        | 12.4.0 | 12.5.0 |
| 09-2014 | RP-65 | RP-141562 | 337 | 2 | Update of definitions to support supplemental DL in TS37.141                         | 12.4.0 | 12.5.0 |

---

# History

| <b>Document history</b> |              |             |
|-------------------------|--------------|-------------|
| V12.5.0                 | October 2014 | Publication |
|                         |              |             |
|                         |              |             |
|                         |              |             |
|                         |              |             |