

# ETSI TS 145 002 V5.11.0 (2003-08)

---

*Technical Specification*

**Digital cellular telecommunications system (Phase 2+);  
Multiplexing and multiple access on the radio path  
(3GPP TS 45.002 version 5.11.0 Release 5)**

---



---

Reference

RTS/TSGG-0145002v5b0

---

Keywords

GSM

**ETSI**

650 Route des Lucioles  
F-06921 Sophia Antipolis Cedex - FRANCE

Tel.: +33 4 92 94 42 00 Fax: +33 4 93 65 47 16

Siret N° 348 623 562 00017 - NAF 742 C  
Association à but non lucratif enregistrée à la  
Sous-Préfecture de Grasse (06) N° 7803/88

---

**Important notice**

Individual copies of the present document can be downloaded from:

<http://www.etsi.org>

The present document may be made available in more than one electronic version or in print. In any case of existing or perceived difference in contents between such versions, the reference version is the Portable Document Format (PDF). In case of dispute, the reference shall be the printing on ETSI printers of the PDF version kept on a specific network drive within ETSI Secretariat.

Users of the present document should be aware that the document may be subject to revision or change of status. Information on the current status of this and other ETSI documents is available at

<http://portal.etsi.org/tb/status/status.asp>

If you find errors in the present document, send your comment to:

[editor@etsi.org](mailto:editor@etsi.org)

---

**Copyright Notification**

No part may be reproduced except as authorized by written permission.  
The copyright and the foregoing restriction extend to reproduction in all media.

© European Telecommunications Standards Institute 2003.  
All rights reserved.

**DECT**<sup>TM</sup>, **PLUGTESTS**<sup>TM</sup> and **UMTS**<sup>TM</sup> are Trade Marks of ETSI registered for the benefit of its Members.  
**TIPHON**<sup>TM</sup> and the **TIPHON logo** are Trade Marks currently being registered by ETSI for the benefit of its Members.  
**3GPP**<sup>TM</sup> is a Trade Mark of ETSI registered for the benefit of its Members and of the 3GPP Organizational Partners.

---

## Intellectual Property Rights

IPRs essential or potentially essential to the present document may have been declared to ETSI. The information pertaining to these essential IPRs, if any, is publicly available for **ETSI members and non-members**, and can be found in ETSI SR 000 314: "*Intellectual Property Rights (IPRs); Essential, or potentially Essential, IPRs notified to ETSI in respect of ETSI standards*", which is available from the ETSI Secretariat. Latest updates are available on the ETSI Web server (<http://webapp.etsi.org/IPR/home.asp>).

Pursuant to the ETSI IPR Policy, no investigation, including IPR searches, has been carried out by ETSI. No guarantee can be given as to the existence of other IPRs not referenced in ETSI SR 000 314 (or the updates on the ETSI Web server) which are, or may be, or may become, essential to the present document.

---

## Foreword

This Technical Specification (TS) has been produced by ETSI 3rd Generation Partnership Project (3GPP).

The present document may refer to technical specifications or reports using their 3GPP identities, UMTS identities or GSM identities. These should be interpreted as being references to the corresponding ETSI deliverables.

The cross reference between GSM, UMTS, 3GPP and ETSI identities can be found under <http://webapp.etsi.org/key/queryform.asp>.

# Contents

|   |    |
|---|----|
| Intellectual Property Rights .....  | 2  |
| Foreword.....   | 2  |
| Foreword.....   | 6  |
| 1 Scope .....   | 7  |
| 1.1 References .....  | 7  |
| 1.2 Abbreviations .....   | 8  |
| 2 General .....   | 8  |
| 3 Logical channels.....   | 8  |
| 3.1 General .....   | 8  |
| 3.2 Traffic channels.....   | 8  |
| 3.2.1 General.....  | 8  |
| 3.2.2 Speech traffic channels .....   | 9  |
| 3.2.3 Circuit switched data traffic channels .....  | 9  |
| 3.2.4 Packet data traffic channels (PDTCH).....   | 9  |
| 3.3 Control channels.....   | 10 |
| 3.3.1 General.....  | 10 |
| 3.3.2 Broadcast channels .....  | 10 |
| 3.3.2.1 Frequency correction channels (FCCH and CFCCCH) .....                                     | 10 |
| 3.3.2.2 Synchronization channels.....   | 10 |
| 3.3.2.2.1 Synchronization channel (SCH) .....   | 10 |
| 3.3.2.2.2 COMPACT synchronization channel (CSCH) .....  | 10 |
| 3.3.2.3 Broadcast control channel (BCCH).....   | 11 |
| 3.3.2.4 Packet Broadcast Control Channels .....   | 11 |
| 3.3.2.4.1 Packet Broadcast Control Channel (PBCCH) .....  | 11 |
| 3.3.2.4.2 COMPACT Packet Broadcast Control Channel (CPBCCH).....                                  | 12 |
| 3.3.3 Common control type channels .....  | 12 |
| 3.3.3.1 Common control type channels, known when combined as a common control channel (CCCH)..... | 12 |
| 3.3.3.2 Packet Common control channels .....  | 12 |
| 3.3.3.2.1 Packet Common Control Channels (PCCCCH) .....   | 12 |
| 3.3.3.2.2 COMPACT Common Control Channels (CPCCCCH).....  | 13 |
| 3.3.4 Dedicated control channels .....  | 13 |
| 3.3.4.1 Circuit switched dedicated control channels .....   | 13 |
| 3.3.4.2 Packet dedicated control channels.....  | 14 |
| 3.3.5 Cell Broadcast Channel (CBCH) .....   | 14 |
| 3.3.6 CTS control channels.....   | 14 |
| 3.3.6.1 CTS beacon channel (BCH).....   | 14 |
| 3.3.6.2 CTS paging channel (CTSPCH) .....   | 14 |
| 3.3.6.3 CTS access request channel (CTSARCH) .....  | 14 |
| 3.3.6.4 CTS access grant channel (CTSAGCH) .....  | 14 |
| 3.4 Combination of channels.....  | 14 |
| 4 The physical resource.....  | 15 |
| 4.1 General .....   | 15 |
| 4.2 Radio frequency channels.....   | 15 |
| 4.2.1 Cell allocation and mobile allocation.....  | 15 |
| 4.2.2 Downlink and uplink .....   | 15 |
| 4.3 Timeslots, TDMA frames, and time groups .....   | 15 |
| 4.3.1 General.....  | 15 |
| 4.3.2 Timeslot number.....  | 15 |
| 4.3.3 TDMA frame number .....   | 16 |
| 4.3.4 Time group.....   | 16 |
| 5 Physical channels .....   | 16 |
| 5.1 General .....   | 16 |
| 5.2 Bursts.....   | 16 |

|            |   |    |
|------------|---|----|
| 5.2.1      | General.....  | 16 |
| 5.2.2      | Types of burst and burst timing .....   | 17 |
| 5.2.3      | Normal burst (NB).....  | 17 |
| 5.2.4      | Frequency correction burst (FB).....  | 19 |
| 5.2.5      | Synchronization Burst (SB).....   | 20 |
| 5.2.6      | Dummy burst .....   | 20 |
| 5.2.7      | Access burst (AB).....  | 21 |
| 5.2.8      | Guard period .....  | 21 |
| 5.3        | Physical channels and bursts .....  | 21 |
| 5.4        | Radio frequency channel sequence .....  | 21 |
| 5.5        | Timeslot and TDMA frame sequence .....  | 22 |
| 5.6        | Parameters for channel definition and assignment .....                              | 22 |
| 5.6.1      | General.....  | 22 |
| 5.6.2      | General parameters .....  | 22 |
| 5.6.3      | Specific parameters.....  | 22 |
| 6          | Mapping of logical channels onto physical channels .....                            | 23 |
| 6.1        | General .....   | 23 |
| 6.2        | Mapping in frequency of logical channels onto physical channels .....               | 23 |
| 6.2.1      | General.....  | 23 |
| 6.2.2      | Parameters.....   | 23 |
| 6.2.3      | Hopping sequence generation .....   | 24 |
| 6.2.4      | Specific cases.....   | 25 |
| 6.2.5      | Change in the frequency allocation of a base transceiver station.....               | 25 |
| 6.2.6      | Frequency assignment in CTS .....   | 26 |
| 6.3        | Mapping in time of logical channels onto physical channels .....                    | 26 |
| 6.3.1      | Mapping in time of circuit switched logical channels onto physical channels .....   | 26 |
| 6.3.1.1    | General .....   | 26 |
| 6.3.1.2    | Key to the mapping table of clause 7 .....  | 26 |
| 6.3.1.3    | Mapping of BCCH data .....  | 27 |
| 6.3.1.4    | Mapping of SID Frames.....  | 28 |
| 6.3.2      | Mapping in time of packet logical channels onto physical channels .....             | 28 |
| 6.3.2.1    | General .....   | 28 |
| 6.3.2.2    | Mapping of the uplink channels .....  | 29 |
| 6.3.2.2.1  | Mapping of uplink packet traffic channel (PDTCH/U) and PACCH/U .....                | 29 |
| 6.3.2.2.2  | Mapping of the Packet Timing Advance Control Channel (PTCCH/U) .....                | 29 |
| 6.3.2.2.3  | Mapping of the uplink PCCCH i.e. PRACH .....  | 30 |
| 6.3.2.2.3a | Mapping of the COMPACT uplink CPCCCH i.e. CPRACH.....                               | 30 |
| 6.3.2.3    | Mapping of the downlink channels .....  | 30 |
| 6.3.2.3.1  | Mapping of the (PDTCH/D) and PACCH/D .....  | 30 |
| 6.3.2.3.2  | Mapping of the PTCCH/D.....   | 30 |
| 6.3.2.3.3  | Mapping of the PBCCH .....  | 30 |
| 6.3.2.3.3a | Mapping of the COMPACT CPBCCH.....  | 30 |
| 6.3.2.3.4  | Mapping of the PCCCH .....  | 31 |
| 6.3.2.3.4a | Mapping of the COMPACT CPCCCH.....  | 31 |
| 6.3.2.4    | Mapping of PBCCH data .....   | 31 |
| 6.3.2.4a   | Mapping of COMPACT CPBCCH data .....  | 32 |
| 6.3.3      | Mapping in time of CTS control channels onto physical channels.....                 | 32 |
| 6.3.3.1    | CTSBCH timeslot assignment .....  | 32 |
| 6.3.3.2    | CTSPCH, CTSARCH and CTSAGCH timeslot assignment .....                               | 34 |
| 6.4        | Permitted channel combinations.....   | 34 |
| 6.4.1      | Permitted channel combinations onto a basic physical channel.....                   | 34 |
| 6.4.2      | Multislot configurations.....   | 37 |
| 6.4.2.1    | Multislot configurations for circuit switched connections in <i>A/Gb mode</i> ..... | 37 |
| 6.4.2.2    | Multislot configurations for packet switched connections in <i>A/Gb mode</i> .....  | 38 |
| 6.4.2.3    | Multislot configurations for dual transfer mode in <i>A/Gb mode</i> .....           | 39 |
| 6.4.2.4    | Multislot configurations for DBPSCH in <i>Iu mode</i> .....                         | 40 |
| 6.4.2.4.1  | TCHs allocated .....  | 40 |
| 6.4.2.4.2  | PDTCHs allocated .....  | 40 |
| 6.4.2.4.3  | TCHs and PDTCHs allocated.....  | 40 |
| 6.4.2.5    | void .....  | 40 |
| 6.4.2.6    | Multislot configurations for SBPSCH in <i>Iu mode</i> .....                         | 40 |

|   |  |           |
|---|--|-----------|
| 6.4.2.7   | Multislot configurations for dual transfer mode in <i>Iu mode</i> .....                                      | 40        |
| 6.5   | Operation of channels and channel combinations .....   | 41        |
| 6.5.1   | General.....   | 41        |
| 6.5.2   | Determination of CCCH_GROUP and PAGING_GROUP for MS in idle mode .....                                       | 43        |
| 6.5.3   | Determination of specific paging multiframe and paging block index .....                                     | 43        |
| 6.5.4   | Short Message Service Cell Broadcast (SMSCB) .....   | 43        |
| 6.5.5   | Voice group and voice broadcast call notifications .....   | 44        |
| 6.5.6   | Determination of PCCCH_GROUP and PAGING_GROUP for MS in GPRS attached mode .....                             | 44        |
| 6.5.7   | Determination of CTS_PAGING_GROUP and specific paging 52-multiframe for MS in CTS mode .....                 | 45        |
| <b>Annex A (normative): Phase 2 mobiles in a Phase 1 infrastructure .....</b> |  | <b>66</b> |
| A.1   | Scope .....  | 66        |
| A.2   | Implementation options for TCH channels .....  | 66        |
| A.2.1   | C0 filling on the TCH.....   | 66        |
| A.2.1.1   | A dummy burst with (BN61, BN62, BN86) = training sequence bits of normal bursts .....                        | 66        |
| A.2.1.2   | A dummy burst with the "C0 filling training sequence.....  | 66        |
| A.2.1.3   | A dummy burst with ( BN61, BN62, BN86) mapped from the TSC bits of normal bursts according to the table..... | 66        |
| A.2.1.4   | Partial SID information.....   | 66        |
| A.2.2   | Half burst filling .....   | 66        |
| A.2.2.1   | Partial SID information from any associated SID frame; or.....   | 67        |
| A.2.2.2   | The mixed bits of the dummy bursts (encrypted or not encrypted) .....  | 67        |
| A.2.3   | Dummy burst Stealing flag.....   | 67        |
| A.2.4   | Half burst Filling Stealing flag .....   | 67        |
| A.2.5   | Allowed combinations.....  | 67        |
| A.3   | Idle Channels.....   | 67        |
| <b>Annex B (normative): Multislot capability .....</b>                        |  | <b>68</b> |
| B.1   | MS classes for multislot capability .....  | 68        |
| B.2   | Constraints imposed by the service selected .....  | 70        |
| B.3   | Network requirements for supporting MS multislot classes .....   | 70        |
| <b>Annex C (informative): CTSBCH Timeslot shifting example .....</b>          |  | <b>73</b> |
| <b>Annex D (informative): COMPACT multiframe structure examples .....</b>     |  | <b>74</b> |
| <b>Annex E (informative): Change history .....</b>                            |  | <b>82</b> |
| History .....   |  | 85        |

---

# Foreword

This Technical Specification has been produced by the 3<sup>rd</sup> Generation Partnership Project (3GPP).

The contents of the present document are subject to continuing work within the TSG and may change following formal TSG approval. Should the TSG modify the contents of the present document, it will be re-released by the TSG with an identifying change of release date and an increase in version number as follows:

Version x.y.z

where:

- x the first digit:
  - 1 presented to TSG for information;
  - 2 presented to TSG for approval;
  - 3 or greater indicates TSG approved document under change control.
- y the second digit is incremented for all changes of substance, i.e. technical enhancements, corrections, updates, etc.
- z the third digit is incremented when editorial only changes have been incorporated in the document.

---

# 1 Scope

The present document defines the physical channels of the radio sub-system required to support the logical channels. It includes a description of the logical channels and the definition of frequency hopping, TDMA frames, timeslots and bursts.

## 1.1 References

The following documents contain provisions which, through reference in this text, constitute provisions of the present document.

- References are either specific (identified by date of publication, edition number, version number, etc.) or non-specific.
- For a specific reference, subsequent revisions do not apply.
- For a non-specific reference, the latest version applies. In the case of a reference to a 3GPP document (including a GSM document), a non-specific reference implicitly refers to the latest version of that document *in the same Release as the present document*.

- [1] 3GPP TR 21.905: "Vocabulary for 3GPP Specifications".
- [2] 3GPP TS 23.003: "Numbering, addressing and identification".
- [3] 3GPP TS 23.034: "High Speed Circuit Switched Data (HSCSD) – Stage 2".
- [4] 3GPP TS 43.052: "GSM Cordless Telephony System (CTS), Phase 1; Lower layers of the CTS Radio Interface; Stage 2".
- [5] 3GPP TS 43.059: "Functional stage 2 description of Location Services (LCS) in GERAN".
- [6] 3GPP TS 43.064: "General Packet Radio Service (GPRS); Overall description of the GPRS Radio Interface; Stage 2".
- [7] 3GPP TS 44.003: "Mobile Station - Base Station System (MS - BSS) interface Channel structures and access capabilities".
- [8] 3GPP TS 44.006: "Mobile Station - Base Station System (MS - BSS) interface Data Link (DL) layer specification".
- [9] 3GPP TS 44.018: "Mobile radio interface layer 3 specification, Radio Resource Control Protocol".
- [10] 3GPP TS 44.060: "General Packet Radio Service (GPRS); Mobile Station (MS) - Base Station System (BSS) interface; Radio Link Control (RLC) and Medium Access Control (MAC) Layer Specification".
- [11] 3GPP TS 44.056: "GSM Cordless Telephony System (CTS), Phase 1; CTS radio interface layer 3 specification".
- [12] 3GPP TS 45.003: "Channel coding".
- [13] 3GPP TS 45.004: "Modulation".
- [14] 3GPP TS 45.005: "Radio transmission and reception".
- [15] 3GPP TS 45.008: "Radio subsystem link control".
- [16] 3GPP TS 45.010: "Radio subsystem synchronization".
- [17] 3GPP TS 45.056: "GSM Cordless Telephony System (CTS), Phase 1; CTS-FP radio subsystem".
- [18] 3GPP TS 46.031: "Discontinuous Transmission (DTX) for full rate speech traffic channels".



## 1.2 Abbreviations

Abbreviations used in the present document are listed in 3GPP TR 21.905.

---

# 2 General

The radio subsystem is required to support a certain number of logical channels that can be separated into two categories as defined in 3GPP TS 44.003:

- i) the traffic channels (TCH's);
- ii) the control channels.

More information is given about these logical channels in clause 3 which also defines a number of special channels used by the radio sub-system.

Clause 4 of this document describes the physical resource available to the radio sub-system, clause 5 defines physical channels based on that resource and clause 6 specifies how the logical channels shall be mapped onto physical channels. Figure 1 depicts this process.

---

# 3 Logical channels

## 3.1 General

This subclause describes the logical channels that are supported by the radio subsystem.

## 3.2 Traffic channels

### 3.2.1 General

Traffic channels (TCH's) are intended to carry either encoded speech or user data in circuit switched mode. Five general forms of traffic channel are defined:

- i) Full rate traffic channel (TCH/F). This channel carries information at a gross rate of 22,8 kbit/s.
- ii) Half rate traffic channel (TCH/H). This channel carries information at a gross rate of 11,4 kbit/s.
- iii) Enhanced circuit switched full rate traffic channel (E-TCH/F). This channel carries information at a gross rate of 69,6 kbit/s including the stealing symbols.
- iv) 8-PSK full rate traffic channel (O-TCH/F). This channel carries information at a gross rate of 68,4 kbit/s.
- v) 8-PSK half rate traffic channel (O-TCH/H). This channel carries information at a gross rate of 34,2 kbit/s.

Packet data traffic channels (PDTCH's) are intended to carry user data in packet switched mode. For the purpose of this EN, any reference to traffic channel does not apply to PDTCH unless explicitly stated.

All traffic channels are bi-directional unless otherwise stated. Unidirectional downlink full rate channels, TCH/FD, are defined as the downlink part of the corresponding TCH/F.

Multiple full rate channels can be allocated to the same MS. This is referred to as multislot configurations, which is defined in subclause 6.4.2.1.

Multiple packet data traffic channels can be allocated to the same MS. This is referred to as multislot packet configurations, as defined in subclause 6.4.2.2.

A combination of a half rate traffic channel and a half rate packet data traffic channel on the same basic physical channel can be allocated to the same MS as defined in subclause 6.4.2.3.

A combination of a traffic channel and one or more full rate packet data traffic channels can be allocated to the same MS.

The specific traffic channels available in the categories of speech and user data are defined in the subclauses following.

### 3.2.2 Speech traffic channels

The following traffic channels are defined to carry encoded speech:

- i) full rate traffic channel for speech (TCH/FS);
- ii) half rate traffic channel for speech (TCH/HS);
- iii) enhanced full rate traffic channel for speech (TCH/EFS);
- iv) adaptive full rate traffic channel for speech (TCH/AFS);
- v) adaptive half rate traffic channel for speech (TCH/AHS);
- vi) adaptive full rate traffic channel for wideband speech (TCH/WFS);
- vii) adaptive half rate 8PSK traffic channel for speech (O-TCH/AHS);
- viii) adaptive full rate 8PSK traffic channel for wideband speech (O-TCH/WFS);
- ix) adaptive half rate 8PSK traffic channel for wideband speech (O-TCH/WHS).

### 3.2.3 Circuit switched data traffic channels

The following traffic channels are defined to carry user data:

- i) full rate traffic channel for 9,6 kbit/s user data (TCH/F9.6);
- ii) full rate traffic channel for 4,8 kbit/s user data (TCH/F4.8);
- iii) half rate traffic channel for 4,8 kbit/s user data (TCH/H4.8);
- iv) half rate traffic channel for  $\leq 2,4$  kbit/s user data (TCH/H2.4);
- v) full rate traffic channel for  $\leq 2,4$  kbit/s user data (TCH/F2.4);
- vi) full rate traffic channel for 14,4 kbit/s user data (TCH/F14.4);
- vii) enhanced circuit switched full rate traffic channel for 28,8 kbit/s user data (E-TCH/F28.8);
- viii) enhanced circuit switched full rate traffic channel for 32,0 kbit/s user data (E-TCH/F32.0);
- ix) enhanced circuit switched full rate traffic channel for 43.2 kbit/s user data (E-TCH/F43.2).

### 3.2.4 Packet data traffic channels (PDTCH)

A PDTCH/F corresponds to the resource allocated to a single MS on one physical channel for user data transmission. Due to the dynamic multiplexing onto the same physical channel of different logical channels (see subclause 6.3.2), a PDTCH/F using GMSK modulation carries information at an instantaneous bit rate ranging from 0 to 22,8 kbit/s. A PDTCH/F using 8PSK modulation carries information (including stealing symbols) at an instantaneous bit rate ranging from 0 to 69,6 kbit/s.

A PDTCH/H corresponds to the resource allocated to a single MS on half a physical channel for user data transmission. The maximum instantaneous bit rate for a PDTCH/H is half that for a PDTCH/F.

All packet data traffic channels are uni-directional, either uplink (PDTCH/U), for a mobile originated packet transfer or downlink (PDTCH/D) for a mobile terminated packet transfer.

## 3.3 Control channels

### 3.3.1 General

Control channels are intended to carry signalling or synchronization data. Four categories of control channel are defined: broadcast, common, dedicated and CTS control channels. Specific channels within these categories are defined in the subclauses following.

### 3.3.2 Broadcast channels

#### 3.3.2.1 Frequency correction channels (FCCH and CFCCCH)

The frequency correction channel carries information for frequency correction of the mobile station. It is required only for the operation of the radio sub-system. Different mapping is used for FCCH and COMPACT CFCCCH (see clause 7).

#### 3.3.2.2 Synchronization channels

The synchronization channel carries information for frame synchronization of the mobile station and identification of a base transceiver station. It is required only for the operation of the radio sub-system. Different channels are used for SCH and COMPACT CSCH.

##### 3.3.2.2.1 Synchronization channel (SCH)

Specifically the synchronization channel (SCH) shall contain two encoded parameters:

- a) Base transceiver station identity code (BSIC): 6 bits (before channel coding) consists of 3 bits of PLMN colour code with range 0 to 7 and 3 bits of BS colour code with range 0 to 7 as defined in 3GPP TS 23.003.
- b) Reduced TDMA frame number (RFN): 19 bits (before channel coding) =

$$T1 \text{ (11 bits) range 0 to 2047} = FN \text{ div } (26 \times 51)$$

$$T2 \text{ (5 bits) range 0 to 25} = FN \text{ mod } 26$$

$$T3' \text{ (3 bits) range 0 to 4} = (T3 - 1) \text{ div } 10$$

where

$$T3 \text{ (6 bits) range 0 to 50} = FN \text{ mod } 51$$

and

$$FN = \text{TDMA frame number as defined in subclause 4.3.3.}$$

3GPP TS 44.006 and 3GPP TS 44.018 specify the precise bit ordering, 3GPP TS 45.003 the channel coding of the above parameters and 3GPP TS 45.010 defines how the TDMA frame number can be calculated from T1, T2, and T3'.

##### 3.3.2.2.2 COMPACT synchronization channel (CSCH)

The COMPACT packet synchronization channel CSCH shall contain two encoded parameters:

- a) Base transceiver station identity code (BSIC): 6 bits (before channel coding) consists of 3 bits of PLMN colour code with range 0 to 7 and 3 bits BS colour code with range 0 to 7 as defined in 3GPP TS 23.003.
- b) Reduced TDMA frame number (RFN): 19 bits (before channel coding) =

$$R1 \text{ (10 bits) range 0 to 1023} = FN \text{ div } (51 \times 52)$$

$$R2 \text{ (6 bits) range 0 to 50} = (FN \text{ div } 52) \text{ mod } 51$$

$$TG \text{ (2 bits) range 0 to 3}$$

Reserved (1 bit)

where

FN = TDMA frame number as defined in subclause 4.3.3

and

TG = time group as defined in subclause 4.3.4.

3GPP TS 44.006 and 3GPP TS 44.018 specify the precise bit ordering, 3GPP TS 45.003 the channel coding of the above parameters and 3GPP TS 45.010 defines how the TDMA frame number can be calculated from R1 and R2.

### 3.3.2.3 Broadcast control channel (BCCH)

The broadcast control channel broadcasts general information on a base transceiver station per base transceiver station basis. Of the many parameters contained in the BCCH, the use of the following parameters, as defined in 3GPP TS 44.018 are referred to in subclause 6.5:

- a) CCCH\_CONF which indicates the organization of the common control channels:

From this parameter, the number of common control channels (BS\_CC\_CHANS) and whether or not CCCH or SDCCH are combined (BS\_CCCH\_SDCCH\_COMB = true or false) are derived as follows:

| CCCH_CONF | BS_CC_CHANS | BS_CCCH_SDCCH_COMB |
|-----------|-------------|--------------------|
| 000       | 1           | false              |
| 001       | 1           | true               |
| 010       | 2           | false              |
| 100       | 3           | false              |
| 110       | 4           | false              |

- b) BS\_AG\_BLK\_RES which indicates the number of blocks on each common control channel reserved for access grant messages:

3 bits (before channel coding) range 0 to 7.

- c) BS\_PA\_MFRMS which indicates the number of 51-multiframes between transmission of paging messages to mobiles of the same paging group:

3 bits (before channel coding) range 2 to 9.

- d) support of GPRS

The BCCH shall indicate whether or not packet switched traffic is supported. If packet switched traffic is supported and if the PBCCH exists, then the BCCH shall broadcast the position of the packet data channel (PDCH), as defined in subclause 6.3.2.1, carrying the PBCCH.

### 3.3.2.4 Packet Broadcast Control Channels

#### 3.3.2.4.1 Packet Broadcast Control Channel (PBCCH)

The PBCCH broadcasts parameters used by the MS to access the network for packet transmission operation. In addition to those parameters the PBCCH reproduces the information transmitted on the BCCH to allow circuit switched operation, such that a MS in GPRS attached mode monitors the PBCCH only, if it exists. The existence of the PBCCH in the cell is indicated on the BCCH. In the absence of PBCCH, the BCCH shall be used to broadcast information for packet operation.

Of the many parameters contained in the PBCCH, the use of the following parameters, as defined in 3GPP TS 44.060 are referred to in subclauses 6.5 and 6.3.2:

- a) BS\_PBCCH\_BLKs (1,...,4) indicates the number of blocks allocated to the PBCCH in the multiframe (see subclause 6.3.2.3.3).
- b) BS\_PCC\_CHANS indicates the number of physical channels carrying PCCCHs including the physical channel carrying the PBCCH
- c) BS\_PAG\_BLKs\_RES indicates the number of blocks on each PDCH carrying PCCCH per multiframe where neither PPCH nor PBCCH should appear (see subclause 6.3.2.3.4). The BS\_PAG\_BLKs\_RES value shall fulfil the condition :  $BS\_PAG\_BLKS\_RES \leq 12 - BS\_PBCCH\_BLKS - 1$ .
- d) BS\_PRACH\_BLKs indicates the number of blocks reserved in a fixed way to the PRACH channel on any PDCH carrying PCCCH (see subclause 6.3.2.2.3).

### 3.3.2.4.2 COMPACT Packet Broadcast Control Channel (CPBCCH)

The CPBCCH is a stand-alone packet control channel for COMPACT. The CPBCCH broadcasts parameters used by the MS to access the network for packet transmission operation.

Of the many parameters contained in the CPBCCH, the use of the following parameters, as defined in 3GPP TS 44.060 are referred to in subclauses 6.5 and 6.3.3:

- a) BS\_PBCCH\_BLKs (1,...,4) indicates the number of blocks allocated to the CPBCCH in the multiframe (see subclause 6.3.2.3.3a).
- b) BS\_PCC\_CHANS indicates the number of radio frequency channels per cell carrying CPCCCHs including the radio frequency channel carrying the CPBCCH.
- c) BS\_PAG\_BLKs\_RES indicates the number of blocks on each radio frequency channel carrying CPCCCH per multiframe where neither CPPCH nor CPBCCH should appear (see subclause 6.3.2.3.4a). BS\_PAG\_BLKs\_RES cannot be greater than 8.
- d) BS\_PRACH\_BLKs indicates the number of blocks reserved in a fixed way to the CPRACH channel on any radio frequency channel carrying CPCCCH (see subclause 6.3.2.2.3a).
- e) NIB\_CCCH\_0, NIB\_CCCH\_1, NIB\_CCCH\_2, and NIB\_CCCH\_3 indicate the number of downlink blocks per multiframe designated as idle to protect CPBCCH and CPCCCH blocks for non-serving time groups (see subclause 6.5.1).
- f) LARGE\_CELL\_OP indicates which type of cell size is used: nominal or large.

## 3.3.3 Common control type channels

### 3.3.3.1 Common control type channels, known when combined as a common control channel (CCCH)

- i) Paging channel (PCH): Downlink only, used to page mobiles.
- ii) Random access channel (RACH): Uplink only, used to request allocation of a SDCCH.
- iii) Access grant channel (AGCH): Downlink only, used to allocate a SDCCH or directly a TCH.
- iv) Notification channel (NCH): Downlink only, used to notify mobile stations of voice group and voice broadcast calls.

### 3.3.3.2 Packet Common control channels

#### 3.3.3.2.1 Packet Common Control Channels (PCCCH)

- i) Packet Paging channel (PPCH): Downlink only, used to page MS.
- ii) Packet Random access channel (PRACH): Uplink only, used to request allocation of one or several PDTCHs (for uplink or downlink direction).

iii) Packet Access grant channel (PAGCH): Downlink only, used to allocate one or several PDTCH.

iv) Packet Notification channel (PNCH): Downlink only, used to notify MS of PTM-M call.

If a PCCCH is not allocated, the information for packet switched operation is transmitted on the CCCH. If a PCCCH is allocated, it may transmit information for circuit switched operation.

### 3.3.3.2.2 COMPACT Common Control Channels (CPCCCH)

i) Packet Paging channel (CPPCH): Downlink only, used to page MS.

ii) Packet Random access channel (CPRACH): Uplink only, used to request allocation of one or several PDTCHs (for uplink or downlink direction).

iii) Packet Access grant channel (CPAGCH): Downlink only, used to allocate one or several PDTCH.

iv) Packet Notification channel (CPNCH): Downlink only, used to notify MS of PTM-M call.

## 3.3.4 Dedicated control channels

### 3.3.4.1 Circuit switched dedicated control channels

i) Slow, TCH/F or E-TCH/F associated, control channel (SACCH/TF).

ii) Fast, TCH/F associated, control channel (FACCH/F).

iii) Slow, TCH/H or O-TCH/H associated, control channel (SACCH/TH).

iv) Fast, TCH/H associated, control channel (FACCH/H).

v) Stand alone dedicated control channel (SDCCH/8).

vi) Slow, SDCCH/8 associated, control channel (SACCH/C8)

vii) Stand alone dedicated control channel, combined with CCCH (SDCCH/4).

viii) Slow, SDCCH/4 associated, control channel (SACCH/C4).

ix) slow, TCH/F, O-TCH/F or E-TCH/F associated, control channel for multislot configurations (SACCH/M).

x) slow, TCH/F associated, control channel for CTS (SACCH/CTS).

xi) Fast, E-TCH/F associated, control channel (E-FACCH/F).

xii) Inband, E-TCH/F associated, control channel (E-IACCH/F).

xiii) Slow, TCH/F or O-TCH/F associated, control channel for enhanced power control (SACCH/TPF).

xiv) Slow, TCH/F or O-TCH/F associated, control channel for enhanced power control in multislot configurations (SACCH/MP).

xv) Slow, TCH/H or O-TCH/H associated, control channel for enhanced power control (SACCH/TPH).

xvi) Enhanced power control, TCH/F or O-TCH/F associated channel (EPCCH/F).

xvii) Enhanced power control, TCH/F or O-TCH/F associated channel in multislot configurations (EPCCH/M).

xviii) Enhanced power control, TCH/H or O-TCH/H associated channel (EPCCH/H);

xix) Fast, O-TCH/H associated, control channel (O-FACCH/H);

xx) Fast, O-TCH/F associated, control channel (O-FACCH/F).

All associated control channels have the same direction (bi-directional or unidirectional) as the channels they are associated to. The unidirectional SACCH/MD, SACCH/MPD and EPCCH/MD are defined as the downlink part of SACCH/M, SACCH/MP and EPCCH/M respectively.

### 3.3.4.2 Packet dedicated control channels

- i) The Packet Associated Control channel (PACCH): The PACCH is bi-directional. For description purposes PACCH/U is used for the uplink and PACCH/D for the downlink.
- ii) Packet Timing advance control channel uplink (PTCCH/U): Used to transmit random access bursts to allow estimation of the timing advance for one MS in packet transfer mode.
- iii) Packet Timing advance control channel downlink (PTCCH/D): Used to transmit timing advance updates for several MS. One PTCCH/D is paired with several PTCCH/U's.

### 3.3.5 Cell Broadcast Channel (CBCH)

The CBCH, downlink only, is used to carry the short message service cell broadcast (SMS-CB). The CBCH uses the same physical channel as the SDCCH.

### 3.3.6 CTS control channels

Four types of CTS control channels are defined:

#### 3.3.6.1 CTS beacon channel (BCH)

The BCH is used to provide frequency and synchronization information in the downlink. It is made up of a pair of CTSBCH-SB (Synchronization burst) and CTSBCH-FB (Frequency correction burst).

The CTSBCH-FB carries information for frequency correction of the mobile station. It is required only for the operation of the radio sub-system.

The CTSBCH-SB carries signalling information and identification of a CTS-FP. Specifically the CTSBCH-SB shall contain five encoded parameters:

- a) status of the CTS-FP radio resources : 1 bit (before channel coding);
- b) flag indicating the presence of CTSPCH in the next 52-multiframe : 1 bit (before channel coding);
- c) flag indicating whether the CTS-FP is currently performing timeslot shifting on CTSBCH: 1 bit (before channel coding);
- d) CTS control channels (except CTSBCH) timeslot number for the next 52-multiframe (TNC): 3 bits (before channel coding);
- e) CTS-FP beacon identity (FPBI) : 19 bits (before channel coding), as defined in 3GPP TS 23.003.

3GPP TS 44.056 specifies the precise bit ordering and 3GPP TS 45.003 the channel coding of the above parameters.

#### 3.3.6.2 CTS paging channel (CTSPCH)

Downlink only, used to broadcast information for paging.

#### 3.3.6.3 CTS access request channel (CTSARCH)

Uplink only, used to request allocation of a dedicated RR connection.

#### 3.3.6.4 CTS access grant channel (CTSAGCH)

Downlink only, used to grant a dedicated RR connection.

## 3.4 Combination of channels

Only certain combinations of channels are allowed as defined in 3GPP TS 44.003. Subclause 6.4 lists the combinations in relation to basic physical channels.

---

## 4 The physical resource

### 4.1 General

The physical resource available to the radio sub-system is an allocation of part of the radio spectrum. This resource is partitioned both in frequency and time. Frequency is partitioned by radio frequency channels (RFCHs) divided into bands as defined in 3GPP TS 45.005. Time is partitioned by timeslots, TDMA frames, and (for COMPACT) time groups and 52-multiframe number as defined in subclause 4.3 of this EN.

### 4.2 Radio frequency channels

#### 4.2.1 Cell allocation and mobile allocation

3GPP TS 45.005 defines radio frequency channels (RFCHs), and allocates numbers to all the radio frequency channels available to the system. Each cell is allocated a subset of these channels, defined as the cell allocation (CA). One radio frequency channel of the cell allocation shall be used to carry synchronization information and the BCCH, this shall be known as BCCH carrier. The subset of the cell allocation, allocated to a particular mobile, shall be known as the mobile allocation (MA).

For COMPACT, one radio frequency channel of the cell allocation shall be used to carry synchronization information and the CPBCCH, this shall be known as the primary COMPACT carrier. All other radio frequency channels of the cell allocation shall be known as secondary COMPACT carriers.

#### 4.2.2 Downlink and uplink

The downlink comprises radio frequency channels used in the base transceiver station to Mobile Station direction.

The uplink comprises radio frequency channels used in the mobile station to base transceiver station direction.

## 4.3 Timeslots, TDMA frames, and time groups

### 4.3.1 General

A timeslot shall have a duration of  $\frac{3}{5} 200$  seconds ( $\approx 577 \mu\text{s}$ ). Eight timeslots shall form a TDMA frame ( $\approx 4,62$  ms in duration).

At the base transceiver station the TDMA frames on all of the radio frequency channels in the downlink shall be aligned. The same shall apply to the uplink (see 3GPP TS 45.010).

At the base transceiver station the start of a TDMA frame on the uplink is delayed by the fixed period of 3 timeslots from the start of the TDMA frame on the downlink (see figure 2).

At the mobile station this delay will be variable to allow adjustment for signal propagation delay. The process of adjusting this advance is known as adaptive frame alignment and is detailed in 3GPP TS 45.010.

The staggering of TDMA frames used in the downlink and uplink is in order to allow the same timeslot number to be used in the downlink and uplink whilst avoiding the requirement for the mobile station to transmit and receive simultaneously. The period includes time for adaptive frame alignment, transceiver tuning and receive/transmit switching (see figure 4).

### 4.3.2 Timeslot number

The timeslots within a TDMA frame shall be numbered from 0 to 7 and a particular timeslot shall be referred to by its timeslot number (TN).



### 4.3.3 TDMA frame number

TDMA frames shall be numbered by a frame number (FN). The frame number shall be cyclic and shall have a range of 0 to FN\_MAX where  $FN\_MAX = (26 \times 51 \times 2048) - 1 = 2715647$  as defined in 3GPP TS 45.010. For COMPACT,  $FN\_MAX = (52 \times 51 \times 1024) - 1 = 2715647$ . The frame number shall be incremented at the end of each TDMA frame.

The complete cycle of TDMA frame numbers from 0 to FN\_MAX is defined as a hyperframe. A hyperframe consists of 2048 superframes where a superframe is defined as 26 x 51 TDMA frames. For COMPACT, a hyperframe consists of 1024 superframes where a superframe is defined as 52 x 51 TDMA frames. A 26-multiframe, comprising 26 TDMA frames, is used to support traffic and associated control channels and a 51-multiframe, comprising 51 TDMA frames, is used to support broadcast, common control and stand alone dedicated control (and their associated control) channels. Hence a superframe may be considered as 51 traffic/associated control multiframes or 26 broadcast/common control multiframes. A 52-multiframe, comprising two 26-multiframes, is used to support packet data traffic and control channels.

The need for a hyperframe of a substantially longer period than a superframe arises from the requirements of the encryption process which uses FN as an input parameter.

### 4.3.4 Time group

Used for COMPACT, time groups shall be numbered from 0 to 3 and a particular time group shall be referred to by its time group number (TG) (see subclause 3.3.2.2.2). At block B0 and frame number (FN) mod 208 = 0, time group numbers (TG) are associated with timeslot numbers (TN) as follows:

| TG | TN |
|----|----|
| 0  | 1  |
| 1  | 3  |
| 2  | 5  |
| 3  | 7  |

For COMPACT, a cell is assigned one time group number (TG) on a primary COMPACT carrier. This is known as the serving time group. Other cells may be assigned other time groups on the same carrier.

---

## 5 Physical channels

### 5.1 General

A physical channel uses a combination of frequency and time division multiplexing and is defined as a sequence of radio frequency channels and time slots. The complete definition of a particular physical channel consists of a description in the frequency domain, and a description in the time domain.

The description in the frequency domain is addressed in subclause 5.4; the description in the time domain is addressed in subclause 5.5.

### 5.2 Bursts

#### 5.2.1 General

A burst is a period of RF carrier which is modulated by a data stream. A burst therefore represents the physical content of a timeslot.

## 5.2.2 Types of burst and burst timing

A timeslot is divided into 156,25 symbol periods.

For GMSK modulation (see 3GPP TS 45.004) a symbol is equivalent to a bit. A particular bit period within a timeslot is referenced by a bit number (BN), with the first bit period being numbered 0, and the last (1/4) bit period being numbered 156.

For 8PSK modulation (see 3GPP TS 45.004) one symbol corresponds to three bits. A particular bit period within a timeslot is referenced by a bit number (BN), with the first bit being numbered 0, and the last (3/4) bit being numbered 468. The bits are mapped to symbols in ascending order according to 3GPP TS 45.004.

In the subclauses following the transmission timing of a burst within a timeslot is defined in terms of bit number. The bit with the lowest bit number is transmitted first.

Different types of burst exist in the system. One characteristic of a burst is its useful duration. This document, in the subclauses following, defines full bursts of 147 symbols useful duration, and a short burst of 87 symbols useful duration. The useful part of a burst is defined as beginning from half way through symbol number 0. The definition of the useful part of a burst needs to be considered in conjunction with the requirements placed on the phase and amplitude characteristics of a burst as specified in 3GPP TS 45.004 and 45.005.

The period between bursts appearing in successive timeslots is termed the guard period. Subclause 5.2.8 details constraints which relate to the guard period.

## 5.2.3 Normal burst (NB)

Normal burst for GMSK

| Bit Number (BN) | Length of field | Contents of field           | Definition       |
|-----------------|-----------------|-----------------------------|------------------|
| 0 - 2           | 3               | tail bits                   | (below)          |
| 3 - 60          | 58              | encrypted bits (e0 . e57)   | 45.003           |
| 61 - 86         | 26              | training sequence bits      | (below)          |
| 87 - 144        | 58              | encrypted bits (e58 . e115) | 45.003           |
| 145 - 147       | 3               | tail bits                   | (below)          |
| (148 - 156)     | 8,25            | guard period (bits)         | subclause 5.2.8) |

- where the "tail bits" are defined as modulating bits with states as follows:

(BN0, BN1, BN2) = (0, 0, 0) and

(BN145, BN146, BN147) = (0, 0, 0)

- where the "training sequence bits" are defined as modulating bits with states as given in the following table according to the training sequence code, TSC. For BCCH and CCCH, the TSC must be equal to the BCC, as defined in 3GPP TS 23.003. In networks supporting E-OTD Location services (see 3GPP TS 43.059), the TSC shall be equal to the BCC for all normal bursts on BCCH frequencies.

NOTE: For COMPACT, for PDTCH/PACCH on primary and secondary carriers that are indicated in EXT\_FREQUENCY\_LIST by parameter INT\_FREQUENCY and in INT\_MEAS\_CHAN\_LIST (see subclauses 10.1.5 and 10.2.3.2.2 of 3GPP TS 45.008), the TSCs should be equal to the BCC, as defined in 3GPP TS 23.003 and as described in this technical specification in subclause 3.3.2, otherwise the accuracy of interference measurement reporting may be compromised.

- For CTS control channels, the TSC shall be defined by the 3 LSBs (BN3, BN2, BN1) of the FPBI (specified in 3GPP TS 23.003).

| Training Sequence Code (TSC) | Training sequence bits (BN61, BN62 .. BN86)           |
|------------------------------|---|
| 0                            | (0,0,1,0,0,1,0,1,1,1,0,0,0,0,1,0,0,0,1,0,0,1,0,1,1,1) |
| 1                            | (0,0,1,0,1,1,0,1,1,1,0,1,1,1,1,0,0,0,1,0,1,1,0,1,1,1) |
| 2                            | (0,1,0,0,0,0,1,1,1,0,1,1,1,0,1,0,0,1,0,0,0,0,1,1,1,0) |
| 3                            | (0,1,0,0,0,1,1,1,1,0,1,1,0,1,0,0,0,1,0,0,0,1,1,1,1,0) |
| 4                            | (0,0,0,1,1,0,1,0,1,1,1,0,0,1,0,0,0,0,0,1,1,0,1,0,1,1) |
| 5                            | (0,1,0,0,1,1,1,0,1,0,1,1,0,0,0,0,0,1,0,0,1,1,1,0,1,0) |
| 6                            | (1,0,1,0,0,1,1,1,1,1,0,1,1,0,0,0,1,0,1,0,0,1,1,1,1,1) |
| 7                            | (1,1,1,0,1,1,1,1,0,0,0,1,0,0,1,0,1,1,1,0,1,1,1,1,0,0) |

Under certain circumstances only half the encrypted bits present in a normal burst will contain complete information. For downlink DTX operation on TCH-FS and TCH-HS, when a traffic frame (as defined in 3GPP TS 46.031) is scheduled for transmission and one of its adjacent traffic frames is not scheduled for transmission, the other half of the encrypted bits in the normal bursts associated with the scheduled traffic frame shall contain partial SID information from any associated SID frame, with the appropriate stealing flags BN60 or BN87 set to 0. In other cases the binary state of the remaining bits is not specified.

#### Normal burst for 8PSK

| Bit Number (BN) | Length of field (bits) | Contents of field            | Definition      |
|-----------------|------------------------|------------------------------|-----------------|
| 0 – 8           | 9                      | tail bits                    | (below)         |
| 9 – 182         | 174                    | encrypted bits (e0 . e173)   | 45.003          |
| 183 – 260       | 78                     | training sequence bits       | (below)         |
| 261 – 434       | 174                    | encrypted bits (e174 . e347) | 45.003          |
| 435 – 443       | 9                      | tail bits                    | (below)         |
| 444 - 468       | 24.75                  | guard period                 | subclause 5.2.8 |

- where the "tail bits" are defined as modulating bits with states as follows (bits are grouped in symbols separated by ;):

(BN0, BN1 .. BN8) = (1,1,1;1,1,1;1,1,1) and

(BN435, BN436 .. BN443) = (1,1,1;1,1,1;1,1,1)

- where the "training sequence bits" are defined as modulating bits with states as given in the following table according to the training sequence code, TSC. For BCCH and CCCH, the TSC must be equal to the BCC, as defined in 3GPP TS 23.003. In networks supporting E-OTD Location services (see 3GPP TS 43.059), the TSC shall be equal to the BCC for all normal bursts on BCCH frequencies.

| Training Sequence Code (TSC) | Training sequence symbols (BN183, BN184 .. BN260)   |
|------------------------------|---|
| 0                            | (1,1,1;1,1,1;0,0,1;1,1,1;1,1,1;0,0,1;1,1,1;0,0,1;0,0,1;0,0,1;1,1,1;1,1,1;1,1,1;1,1,1;0,0,1;1,1,1;1,1,1;1,1,1;0,0,1;1,1,1;1,1,1;0,0,1;1,1,1;1,1,1;0,0,1;0,0,1;0,0,1;0,0,1) |
| 1                            | (1,1,1;1,1,1;0,0,1;1,1,1;0,0,1;1,1,1;0,0,1;1,1,1;0,0,1;0,0,1;1,1,1;0,0,1;1,1,1;0,0,1;0,0,1;0,0,1;1,1,1;1,1,1;1,1,1;0,0,1;1,1,1;0,0,1;1,1,1;0,0,1;0,0,1;0,0,1)             |
| 2                            | (1,1,1;0,0,1;1,1,1;1,1,1;1,1,1;1,1,1;0,0,1;0,0,1;0,0,1;1,1,1;0,0,1;0,0,1;0,0,1;1,1,1;0,0,1;1,1,1;1,1,1;0,0,1;1,1,1;1,1,1;1,1,1;0,0,1;0,0,1;0,0,1;1,1,1)                   |
| 3                            | (1,1,1;0,0,1;1,1,1;1,1,1;1,1,1;0,0,1;0,0,1;0,0,1;0,0,1;1,1,1;0,0,1;0,0,1;1,1,1;0,0,1;0,0,1;1,1,1;0,0,1;1,1,1;1,1,1;0,0,1;1,1,1;1,1,1;0,0,1;0,0,1;1,1,1)                   |
| 4                            | (1,1,1;1,1,1;1,1,1;0,0,1;0,0,1;1,1,1;0,0,1;1,1,1;0,0,1;0,0,1;0,0,1;1,1,1;0,0,1;1,1,1;1,1,1;0,0,1;1,1,1;1,1,1;1,1,1;0,0,1;1,1,1;0,0,1;1,1,1;0,0,1;0,0,1)                   |
| 5                            | (1,1,1;0,0,1;1,1,1;1,1,1;0,0,1;0,0,1;0,0,1;1,1,1;0,0,1;1,1,1;0,0,1;0,0,1;1,1,1;0,0,1;1,1,1;1,1,1;1,1,1;0,0,1;1,1,1;1,1,1;0,0,1;1,1,1;0,0,1;0,0,1;1,1,1)                   |
| 6                            | (0,0,1;1,1,1;0,0,1;1,1,1;1,1,1;0,0,1;0,0,1;0,0,1;0,0,1;0,0,1;1,1,1;0,0,1;0,0,1;1,1,1;0,0,1;0,0,1;1,1,1;1,1,1;0,0,1;1,1,1;0,0,1;1,1,1;0,0,1;0,0,1)                         |
| 7                            | (0,0,1;0,0,1;0,0,1;1,1,1;0,0,1;0,0,1;0,0,1;0,0,1;1,1,1;1,1,1;1,1,1;0,0,1;1,1,1;1,1,1;0,0,1;1,1,1;1,1,1;0,0,1;0,0,1;0,0,1;1,1,1;0,0,1;0,0,1;1,1,1)                         |

### 5.2.4 Frequency correction burst (FB)

| Bit Number (BN) | length of field | Contents of field   | Definition       |
|-----------------|-----------------|---------------------|------------------|
| 0 - 2           | 3               | tail bits           | (below)          |
| 3 - 144         | 142             | fixed bits          | (below)          |
| 145 - 147       | 3               | tail bits           | (below)          |
| (148 - 156)     | 8,25            | guard period (bits) | subclause 5.2.8) |

- where the "tail bits" are defined as modulating bits with states as follows:

(BN0, BN1, BN2) = (0, 0, 0) and

(BN145, BN146, BN147) = (0, 0, 0)

- where the "fixed bits" are defined as modulating bits with states as follows:

(BN3, BN4 .. BN144) = (0, 0 .. 0)

except for COMPACT frequency correction bursts where states are as follows:

(BN3, BN4, BN5, BN6 .. BN143, BN144) = (1, 0, 1, 0, ... 1, 0)

NOTE: This burst is equivalent to unmodulated carrier with a +1 625/24 kHz frequency offset, above the nominal carrier frequency or for COMPACT, a -1 625/24 kHz frequency offset, below the nominal carrier frequency.



## 5.2.7 Access burst (AB)

| Bit Number<br>(BN) | Length<br>of field | Contents<br>of field         | Definition       |
|--------------------|--------------------|------------------------------|------------------|
| 0 - 7              | 8                  | extended tail bits           | (below)          |
| 8 - 48             | 41                 | synch. sequence bits         | (below)          |
| 49 - 84            | 36                 | encrypted bits (e0..e35)     | 45.003           |
| 85 - 87            | 3                  | tail bits                    | (below)          |
| (88 - 156)         | 68,25              | extended guard period (bits) | subclause 5.2.8) |

- where the "extended tail bits" are defined as modulating bits with the following states:

$$(BN0, BN1, BN2 \dots BN7) = (0, 0, 1, 1, 1, 0, 1, 0)$$

- where the "tail bits" are defined as modulating bits with the following states:

$$(BN85, BN86, BN87) = (0, 0, 0)$$

- where the "synch. sequence bits" are defined as modulating bits with the following states, unless explicitly stated otherwise (see 3GPP TS 44.060):

$$(BN8, BN9 \dots BN48) = (0, 1, 0, 0, 1, 0, 1, 1, 0, 1, 1, 1, 1, 1, 1, 1, 1, 0, 0, 1, 1, 0, 0, \\ 1, 1, 0, 1, 0, 1, 0, 1, 0, 0, 0, 1, 1, 1, 1, 0, 0, 0)$$

in case alternative training (synchronization) sequence "TS1" is used, the "synch. sequence bits" shall be defined as modulating bits with the following states:

$$(BN8, BN9 \dots BN48) = (0, 1, 0, 1, 0, 1, 0, 0, 1, 1, 1, 1, 1, 0, 0, 0, 1, 0, 0, 0, 1, 1, 0, 0, 0, 1, 1, \\ 0, 0, 0, 1, 0, 1, 1, 1, 1, 0, 0, 1, 0, 0, 1, 1, 0, 1)$$

in case alternative training (synchronization) sequence "TS2" is used, the "synch. sequence bits" shall be defined as modulating bits with the following states:

$$(BN8, BN9 \dots BN48) = (1, 1, 1, 0, 1, 1, 1, 1, 0, 0, 1, 0, 0, 1, 1, 1, 0, 1, 0, 1, 0, 1, 0, 1, 1, \\ 0, 0, 0, 0, 0, 1, 1, 0, 1, 1, 0, 1, 1, 1, 0, 1, 1, 1)$$

## 5.2.8 Guard period

The guard period is provided because it is required for the MSs that transmission be attenuated for the period between bursts with the necessary ramp up and down occurring during the guard periods as defined in 3GPP TS 45.005. A base transceiver station is not required to have a capability to ramp down and up between adjacent bursts, but is required to have a capability to ramp down and up for non-used time-slots, as defined in 3GPP TS 45.005. In any case where the amplitude of transmission is ramped up and down, then by applying an appropriate modulation bit stream interference to other RF channels can be minimized.

## 5.3 Physical channels and bursts

The description of a physical channel will be made in terms of timeslots and TDMA frames and not in terms of bursts. This is because there is not a one to one mapping between a particular physical channel, and the use of a particular burst.

## 5.4 Radio frequency channel sequence

The radio frequency channel sequence is determined by a function that, in a given cell, with a given set of general parameters, (see subclause 5.6.2), with a given timeslot number (TN), a given mobile radio frequency channel allocation (MA) and a given mobile allocation index offset (MAIO), maps the TDMA frame number (FN) to a radio frequency channel.

In a given cell there is therefore, for a physical channel assigned to a particular mobile, a unique correspondence between radio frequency channel and TDMA frame number.

The detailed hopping generation algorithm is given in subclause 6.2.

## 5.5 Timeslot and TDMA frame sequence

A given physical channel shall always use the same timeslot number in every TDMA frame. Therefore a timeslot sequence is defined by:

- i) a timeslot number (TN); and
- ii) a TDMA frame number sequence.

The detailed definitions of TDMA frame number sequences are given in clause 7.

The physical channels where the TDMA frame number sequence is 0,1, . FN\_MAX (where FN\_MAX is defined in subclause 4.3.3) are called "basic physical channels".

## 5.6 Parameters for channel definition and assignment

### 5.6.1 General

This subclause describes the set of parameters necessary to describe fully the mapping of any logical channel onto a physical channel. These parameters may be divided into general parameters, that are characteristic of a particular base transceiver station, and specific parameters, that are characteristic of a given physical channel.

### 5.6.2 General parameters

These are:

- i) the set of radio frequency channels used in the cell (CA), together with the identification of the BCCH carrier.
- ii) the TDMA frame number (FN), which can be derived from the reduced TDMA frame number (RFN) which is in the form T1, T2, T3', see 3.3.2.

These parameters are broadcast (or derived from parameters broadcast) in the BCCH and SCH.

For COMPACT, these are:

- i) the set of radio frequency channels used in the cell (CA), together with the identification of the COMPACT CPBCCCH carrier (primary COMPACT carrier).
- ii) the TDMA frame number (FN), which can be derived from the reduced TDMA frame number (RFN) which is in the form R1 and R2, see 3.3.2.
- iii) the time group number (TG)

These parameters are broadcast (or derived from parameters broadcast) in the COMPACT CPBCCCH and CSCH.

### 5.6.3 Specific parameters

These parameters define a particular physical channel in a base transceiver station. They are:

- o) the training sequence Code (TSC);
- i) the timeslot number (TN);
- ii) the mobile radio frequency channel allocation (MA);
- iii) the mobile allocation index offset (MAIO);

- iv) the hopping sequence number (HSN);
- v) the type of logical channel;
- vi) the sub-channel number (SCN).

The last two parameters allow the determination of the frame sequence.

---

## 6 Mapping of logical channels onto physical channels

### 6.1 General

The detailed mapping of logical channels onto physical channels is defined in the following sections. Subclause 6.2 defines the mapping from TDMA frame number (FN) to radio frequency channel (RFCH). Subclause 6.3 defines the mapping of the physical channel onto TDMA frame number. Subclause 6.4 lists the permitted channel combinations and subclause 6.5 defines the operation of channels and channel combinations.

### 6.2 Mapping in frequency of logical channels onto physical channels

#### 6.2.1 General

The parameters used in the function which maps TDMA frame number onto radio frequency channel are defined in subclause 6.2.2. The definition of the actual mapping function, or as it is termed, hopping sequence generation is given in subclause 6.2.3.

In CTS, the specific mapping in frequency depends on the start condition defined by the parameters given in subclause 6.2.2. The hopping sequence generation for CTS is given in subclause 6.2.3.

#### 6.2.2 Parameters

The following parameters are required in the mapping from TDMA frame number to radio frequency channel for a given assigned channel.

General parameters of the BTS, specific to one BTS, and broadcast in the BCCH and SCH:

- i) CA: Cell allocation of radio frequency channels.
- ii) FN: TDMA frame number, broadcast in the SCH, in form T1, T2, T3' (see subclause 3.3.2). For COMPACT, FN is broadcast in the CSCH, in form R1, R2 (see subclause 3.2.2).

Specific parameters of the channel, defined in the channel assignment message:

- i) MA: Mobile allocation of radio frequency channels, defines the set of radio frequency channels to be used in the mobiles hopping sequence. The MA contains N radio frequency channels, where  $1 \leq N \leq 64$ .

For COMPACT, the reduced MA (see 3GPP TS 44.060) shall be used for a fixed amount of data blocks, see section 6.2.4.

- ii) MAIO: Mobile allocation index offset.(0 to N-1, 6 bits).

For COMPACT, MAIO\_2 shall be used for the data blocks using the reduced MA.

- iii) HSN: Hopping sequence (generator) number (0 to 63, 6 bits).

In CTS, the following parameters are required in the mapping to radio frequency channel for a CTS-FP and CTS-MS pair. They are given by the CTS-FP to the CTS-MS during the non-hopping access procedure :



- i) VA: the vector  $\underline{a}$  defines the elements which are used from the shift register to generate the codeword. The vector  $\underline{a}$  shall be randomly chosen upon up to 16 non-repeating integer elements where  $0 \leq a_i < 16$  and  $a_i \neq a_j$  for  $i \neq j$ .
- ii) VV: the elements of vector  $\underline{v}$  are added modulo 2 to the codeword from the shift register. For vector  $\underline{v}$ , up to 16 binary elements shall be chosen randomly.

NOTE: The length of the vectors  $\underline{a}$  and  $\underline{v}$  is dependent on the number of frequencies used for the hopping and can be truncated according to the number of frequencies used (see vi) below).

- iii) CSR: current shift register contents. In order that a CTS-MS is able to synchronize on a running hopping sequence the CTS-FP transmits the CSR.

iv) TFHC1: value of counter TFHC1.

v) TFHC2: value of counter TFHC2.

- vi) TFH carrier list (see 3GPP TS 45.056): ordered list of frequencies, with 1<sup>st</sup> freq referenced by the frequency index 1, 2<sup>nd</sup> frequency referenced by the frequency index 2, etc.

The number of frequencies in the TFH carrier list, NF shall be computed. The number of elements to be taken from the vectors  $\underline{a}$  and  $\underline{v}$  shall be determined by the function  $\lceil \log_2 \text{NF} \rceil$

- vii) VC: the vector  $\underline{c}$  is the base sequence to map the codeword. It shall be randomly chosen upon NF non-repeating integer elements:

$$c = \{c_0, c_1, \dots, c_{\text{NF}-1}\}, 0 \leq c_i < \text{NF} \text{ and } c_i \neq c_j \text{ for } i \neq j.$$

### 6.2.3 Hopping sequence generation

For a given set of parameters, the index to an absolute radio frequency channel number (ARFCN) within the mobile allocation (MAI from 0 to N-1, where MAI=0 represents the lowest ARFCN in the mobile allocation, ARFCN is in the range 0 to 1023 and the frequency value can be determined according to 3GPP TS 45.005), is obtained with the following algorithm:

**if** HSN = 0 (cyclic hopping) **then:**

$$\text{MAI, integer (0 .. N-1)} : \text{MAI} = (\text{FN} + \text{MAIO}) \text{ modulo } \text{N}$$

**else:**

$$\text{M, integer (0 .. 152)} : \text{M} = \text{T2} + \text{RNTABLE}((\text{HSN} \text{ xor } \text{T1R}) + \text{T3})$$

$$\text{S, integer (0 .. N-1)} : \text{M}' = \text{M} \text{ modulo } (2 \wedge \text{NBIN})$$

$$\text{T}' = \text{T3} \text{ modulo } (2 \wedge \text{NBIN})$$

**if** M' < N **then:**

$$\text{S} = \text{M}'$$

**else:**

$$\text{S} = (\text{M}' + \text{T}') \text{ modulo } \text{N}$$

$$\text{MAI, integer (0 .. N-1)} : \text{MAI} = (\text{S} + \text{MAIO}) \text{ modulo } \text{N}$$

NOTE: Due to the procedure used by the mobile for measurement reporting when DTX is used, the use of cyclic hopping where (N)mod 13 = 0 should be avoided.

where:

T1R: time parameter T1, reduced modulo 64 (6 bits)

T3: time parameter, from 0 to 50 (6 bits)

T2: time parameter, from 0 to 25 (5 bits)

NBIN: number of bits required to represent  $N = \text{INTEGER}(\log_2(N)+1)$

^: raised to the power of

xor: bit-wise exclusive or of 8 bit binary operands

RNTABLE: Table of 114 integer numbers, defined below:

| Address    | Contents |      |      |      |      |     |      |      |      |      |
|------------|----------|------|------|------|------|-----|------|------|------|------|
| 000...009: | 48,      | 98,  | 63,  | 1,   | 36,  | 95, | 78,  | 102, | 94,  | 73,  |
| 010...019: | 0,       | 64,  | 25,  | 81,  | 76,  | 59, | 124, | 23,  | 104, | 100, |
| 020...029: | 101,     | 47,  | 118, | 85,  | 18,  | 56, | 96,  | 86,  | 54,  | 2,   |
| 030...039: | 80,      | 34,  | 127, | 13,  | 6,   | 89, | 57,  | 103, | 12,  | 74,  |
| 040...049: | 55,      | 111, | 75,  | 38,  | 109, | 71, | 112, | 29,  | 11,  | 88,  |
| 050...059: | 87,      | 19,  | 3,   | 68,  | 110, | 26, | 33,  | 31,  | 8,   | 45,  |
| 060...069: | 82,      | 58,  | 40,  | 107, | 32,  | 5,  | 106, | 92,  | 62,  | 67,  |
| 070...079: | 77,      | 108, | 122, | 37,  | 60,  | 66, | 121, | 42,  | 51,  | 126, |
| 080...089: | 117,     | 114, | 4,   | 90,  | 43,  | 52, | 53,  | 113, | 120, | 72,  |
| 090...099: | 16,      | 49,  | 7,   | 79,  | 119, | 61, | 22,  | 84,  | 9,   | 97,  |
| 100...109: | 91,      | 15,  | 21,  | 24,  | 46,  | 39, | 93,  | 105, | 65,  | 70,  |
| 110...113: | 125,     | 99,  | 17,  | 123, |      |     |      |      |      |      |

The hopping sequence generation algorithm is represented diagrammatically in figure 6.

This algorithm applies also to COMPACT, whereby the parameters T1, T2 and T3 shall be calculated from FN.

In CTS, the general structure of the hopping sequence generation algorithm is shown in figure 6a, with the example of vector  $\underline{a} = (a_0, a_1, a_2, a_3) = (5, 8, 2, 11)$  and  $NF = 9$ . It consists of a 16 bit linear feedback shift register and two counters. The shift register in the CTS-FP shall be initialized with a random number which shall not be zero. The counter TFHC1 counts modulo NF the number of TDMA frames. The overflow of this counter causes a shift in the shift register. The counter TFHC2 counts modulo NF the number of shifts.

The elements which are used from the shift register to generate the codeword are defined by the vector  $\underline{a}$ . The codeword is built using a modulo 2 addition of these elements and the elements of vector  $\underline{v}$ . Before mapping the codeword into a sequence, the value of the counter TFHC2 is added modulo NF. The mapping is done by a modulo NF addition to the base sequence  $\underline{c}$ . This results in a sequence containing NF elements, each element representing one frequency index in the TFH list. The value of counter TFHC1 points to the current frequency index to use.

## 6.2.4 Specific cases

On the RFCH carrying a BCCH (C0), frequency hopping is not permitted on any timeslot supporting a BCCH according to table 3 of clause 7. A non-hopping radio frequency channel sequence is characterized by a mobile allocation consisting of only one radio frequency channel, i.e. with  $N=1$ ,  $MAIO=0$ . In this instance sequence generation is unaffected by the value of the value HSN.

For COMPACT, frequency hopping is not permitted on CPBCCH or CPCCCH for a specific amount of  $N\_CCCH\_NH$  blocks according to the ordered list described in subclause 6.3.2.1. If CPCCCH is defined as frequency hopping, those blocks use  $MAI = MAIO$ .

For COMPACT, on other frequency hopping channels, the reduced MA and MAIO\_2 shall be used for a specific amount of  $N\_CCCH\_NH$  blocks according to the ordered list described in subclause 6.3.2.1.

For COMPACT, in case the optional information elements reduced MA and MAIO\_2 are not present in the assignment message and the MA and MAIO information elements are present in the assignment message, then the MS shall hop in all allocated time slots according to the MA and MAIO.

## 6.2.5 Change in the frequency allocation of a base transceiver station

The consequence of adding or removing a number of radio frequency channels in a base transceiver station is a modification of the cell allocation (CA) and the mobile allocation (MA). In order to achieve this without disruption to mobile stations with currently assigned channels it is necessary to send a message to all mobiles with assigned channels.

The message, as defined in 3GPP TS 44.018, will contain a new cell allocation (if necessary), mobile allocation and a time (in the form of a TDMA frame number) at which the change is to occur. A new cell allocation may not be necessary if channels are only being removed, and not added.

## 6.2.6 Frequency assignment in CTS

The CTSBCH (CTSBCH-FB and CTSBCH-SB) shall always be mapped on the CTSBCH RF channel (designated as C0 in clause 7 table 8).

The CTSPCH, CTSARCH and CTSAGCH shall be mapped on the predefined set of carriers called TFH carrier list (designated by C0... Cn in Clause 7 Table 8) by the CTS frequency hopping algorithm specified in subclauses 6.2.2 and 6.2.3. However, the CTSARCH and CTSAGCH shall be mapped on the CTSBCH RF channel for the specific case of the non-hopping access procedure specified in 3GPP TS 44.056; the block TDMA frame mapping for these exceptions is specified in clause 7 table 8. The methods for the determination of the CTSBCH RF channel and the TFH carrier list are defined in 3GPP TS 45.056.

The TCH, FACCH and SACCH used for a CTS dedicated connection shall always be mapped on the TFH carrier list (C0..Cn) by the CTS frequency hopping algorithm. However, one exception is specified in the case of the CTS enrolment and attachment of a CTS-MS (see 3GPP TS 44.056), where a non-hopping access procedure is used; in these particular cases, the dedicated connection shall be used in non-hopping mode and the TCH, FACCH and SACCH shall be mapped on the CTSBCH RF channel (C0).

## 6.3 Mapping in time of logical channels onto physical channels

### 6.3.1 Mapping in time of circuit switched logical channels onto physical channels

#### 6.3.1.1 General

The mapping in time of circuit switched logical channels is defined in the tables of clause 7, which also defines the relationship of the air interface frames to the multiframe.

#### 6.3.1.2 Key to the mapping table of clause 7

The following relates to the tables of clause 7. The columns headed:

- i) "Channel designation" gives the precise acronym for the channel to which the mapping applies.
- ii) "Sub-channel number" identifies the particular sub-channel being defined where a basic physical channel supports more than one channel of this type.
- iii) "Direction" defines whether the mapping given applies identically to downlink and uplink (D&U), or to downlink (D) or uplink (U) only.
- iv) "Allowable timeslots assignments" defines whether the channel can be supported on, or assigned to, any of the timeslots, or only on specific timeslots.
- v) "Allowable RF channel assignments" defines whether the channel can use any or all of the radio frequency channels in the cell allocation (CA), or only the BCCH carrier (C0). It should be noted that any allocated channel Cx within CA could be any radio frequency channel, and that no ordering of radio frequency channel number is implied. For example, allocated channel C0 need not have the lowest radio frequency channel number of the allocation.
- vi) "Burst type" defines which type of burst as defined in clause 5.2 is to be used for the physical channel.
- vii) "Repeat length in TDMA frames" defines how many TDMA frames occur before the mapping for the interleaved blocks repeats itself e.g. 51.

- viii) "Interleaved block TDMA frame mapping" defines, within the parentheses, the TDMA frames used by each interleaved block (e.g. 0..3). The numbers given equate to the TDMA frame number (FN) modulo the number of TDMA frames per repeat length; Therefore, the frame is utilized when:

TDMA frame mapping number = (FN)mod repeat length given

Where there is more than one block shown, each block is given a separate designation e.g. B0, B1. Where diagonal interleaving is employed then all of the TDMA frames included in the block are given, and hence the same TDMA frame number can appear more than once (see 3GPP TS 45.003). Also, for E-TCH/F28.8, E-TCH/F32.0 and E-TCH/F43.2, the same frame number appears for the inband signalling message and for several interleaved blocks. It should be noted that the frame mapping for the SACCH/T channel differs according to the timeslot allocated in order to lower the peak processing requirements of the BSS.

### 6.3.1.3 Mapping of BCCH data

In order to facilitate the MS operation, it is necessary to transmit some System Information messages in defined multiframes and defined blocks within one multiframe, as follows (where  $TC = (FN \text{ DIV } 51) \text{ mod } (8)$ ). Also for some System Information messages, the position where they are transmitted is contained in other System Information messages:

| System Information Message | Sent when TC = | Allocation |
|----------------------------|----------------|------------|
| Type 1                     | 0              | BCCH Norm  |
| Type 2                     | 1              | BCCH Norm  |
| Type 2 bis                 | 5              | BCCH Norm  |
| Type 2 ter                 | 5 or 4         | BCCH Norm  |
| Type 2 quater              | 5 or 4         | BCCH Norm  |
|                            | or             |            |
|                            | 5              | BCCH Ext   |
| Type 3                     | 2 and 6        | BCCH Norm  |
| Type 4                     | 3 and 7        | BCCH Norm  |
| Type 7                     | 7              | BCCH Ext   |
| Type 8                     | 3              | BCCH Ext   |
| Type 9                     | 4              | BCCH Norm  |
| Type 13                    | 4              | BCCH norm  |
|                            | or             |            |
|                            | 0              | BCCH Ext   |
| Type 13 alt                | 4              | BCCH norm  |
|                            | or             |            |
|                            | 0              | BCCH Ext   |
| Type 15                    | 4              | BCCH Norm  |
|                            | or             |            |
|                            | 1              | BCCH Ext   |
| Type 16                    | 6              | BCCH Ext   |
| Type 17                    | 2              | BCCH Ext   |
| Type 18                    | Not fixed      | Not fixed  |
| Type 19                    | Not Fixed      | Not Fixed  |
| Type 20                    | Not fixed      | Not fixed  |

This subclause defines requirements on minimum scheduling: the network may send any System Information message when sending of a specific System Information message is not required. The following rules apply:

- i) BCCH Ext may share the resource with PCH and AGCH (see subclause 6.5.1).
- ii) System Information Type 1 need only be sent if frequency hopping is in use or when the NCH is present in a cell. If the MS finds another message when  $TC = 0$ , it can assume that System Information Type 1 is not in use.
- iii) System information type 2 bis or 2 ter messages are sent if needed, as determined by the system operator. If only one of them is needed, it is sent when  $TC = 5$ . If both are needed, 2bis is sent when  $TC = 5$  and 2ter is sent at least once within any of 4 consecutive occurrences of  $TC = 4$ . A SI 2 message will be sent at least every time  $TC = 1$ . System information type 2 quater is sent if needed, as determined by the system operator. If sent on BCCH Norm, it shall be sent when  $TC = 5$  if neither of 2bis and 2ter are used, otherwise it shall be sent at least once within any of 4 consecutive occurrences of  $TC = 4$ . If sent on BCCH Ext, it is sent at least once within any of 4 consecutive occurrences of  $TC = 5$ .

- iv) The definitions of BCCH Norm and BCCH Ext are given in clause 7 table 3 of 5.
- v) Use of System Information type 7 and 8 is not always necessary. It is necessary if System Information type 4 does not contain all information needed for cell selection and reselection.
- vi) System Information type 9 is sent in those blocks with TC = 4 which are specified in system information type 3 as defined in 3GPP TS 44.018.
- vii) System Information type 13 is only related to the GPRS service. System Information Type 13 need only be sent if GPRS support is indicated in one or more of System Information Type 3 or 4 or 7 or 8 messages. These messages also indicate if the message is sent on the BCCH Norm or if the message is transmitted on the BCCH Ext. In the case that the message is sent on the BCCH Norm, it is sent at least once within any of 4 consecutive occurrences of TC=4.
- viii) System Information type 16 and 17 are only related to the SoLSA service.
- ix) System Information type 18 and 20 are sent in order to transmit non-GSM broadcast information. The frequency with which they are sent is determined by the system operator. System Information type 9 identifies the scheduling of System Information type 18 and 20 messages.
- x) System Information Type 19 is sent if COMPACT neighbours exist. If System Information Type 19 is present, then its scheduling shall be indicated in System Information Type 9.
- xi) System Information Type 15 is broadcast if dynamic ARFCN mapping is used in the PLMN. If sent on BCCH Norm, it is sent at least once within any of 4 consecutive occurrences of TC = 4. If sent on BCCH Ext, it is sent at least once within any of 4 consecutive occurrences of TC = 1.
- xii) System Information type 13 alt is only related to the GERAN *Iu mode*. System Information Type 13 alt need only be sent if GERAN *Iu mode* support is indicated in one or more of System Information Type 3 or 4 or 7 or 8 messages and SI 13 is not broadcast. These messages also indicate if the message is sent on the BCCH Norm or if the message is transmitted on the BCCH Ext. In the case that the message is sent on the BCCH Norm, it is sent at least once within any of 4 consecutive occurrences of TC = 4.

All the allowable timeslot assignments in a frame (see table 3 of 7 in clause 7) shall contain the same information.

#### 6.3.1.4 Mapping of SID Frames

When the DTX mode of operation is active, it is required to transmit Silence Descriptor (SID) information, or equivalent dummy information, during the SACCH/T block period (104 TDMA frames). As the SID frames do not constitute a logical channel and their use is specific to DTX operation, the mapping of SID frames onto the TDMA frames is specified in 3GPP TS 45.008.

### 6.3.2 Mapping in time of packet logical channels onto physical channels

#### 6.3.2.1 General

A physical channel allocated to carry packet logical channels is called a packet data channel (PDCH). A PDCH shall carry packet logical channels only.

Packet switched logical channels are mapped dynamically onto a 52-multiframe.

- For the PDCH/F the 52-multiframe consists of 12 blocks of 4 consecutive frames, 2 idle frames and 2 frames used for the PTCCH (see 3GPP TS 45.010 and 3GPP TS 43.064), as shown in Figure 9. Table 6 in clause 7, indicates the frame numbers for each of the blocks (B0...B11) transmitted in the multiframe. The ordered list of block is defined as B0, B6, B3, B9, B1, B7, B4, B10, B2, B8, B5, B11.
- For PDCH/H, the 52-multiframe consists of 6 blocks of 4 frames each, and two idle frames. Table 6 in clause 7 indicates the frame numbers for each of the blocks (B0...B5) transmitted in the multiframe.

A block allocated to a given logical channel comprises one radio block, or in the case of uplink only, 4 random access bursts. The type of channel may vary on a block-by-block basis.

In the downlink direction, the logical channel type shall be indicated by the message type contained in the block header part.

In the uplink part for channels other than PACCH transmitted as access bursts or PRACH or CPRACH, the logical channel type shall be indicated by the message type contained in the block header part. For PACCH transmitted as access bursts, the logical channel type is indicated by the corresponding polling message on the downlink (see 3GPP TS 44.060). For the PRACH or CPRACH case the logical channel type is indicated by the USF (see 3GPP TS 44.060), set on the downlink on a block by block basis.

For COMPACT, timeslot mapping and rotation of the control channels is used such that control channels belonging to a serving time group are rotated over odd timeslot numbers as follows: 7, 5, 3, 1, 7, 5 ... . The rotation occurs between frame numbers (FN) mod 52 = 3 and 4. The mapping of the control channels on timeslot numbers is defined by the following formula:

- for  $0 \leq \text{FN mod } 52 \leq 3$ ,  $\text{TN} = ((6 \times ((\text{FN div } 52) \bmod 4)) + 1 + (2 \times \text{TG})) \bmod 8$ ;
- for  $4 \leq \text{FN mod } 52 \leq 51$ ,  $\text{TN} = ((6 \times ((\text{FN div } 52) \bmod 4)) + 7 + (2 \times \text{TG})) \bmod 8$ .

Packet switched logical channels PDTCH, PACCH, and PTCCH are never rotated.

### 6.3.2.2 Mapping of the uplink channels

#### 6.3.2.2.1 Mapping of uplink packet traffic channel (PDTCH/U) and PACCH/U

The PDCH's where the MS may expect occurrence of its PDTCH/U(s) or PACCH/U for a mobile originated transfer is indicated in resource allocation messages (see 3GPP TS 44.060). PACCH/U shall be allocated respecting the resources allocated to the MS and the MS multislot class. For each PDCH allocated to the MS, an Uplink State Flag (R0... R7) is given to the MS.

The occurrence of the PDTCH/U and/or the PACCH/U at given block(s) B<sub>x</sub> (where B<sub>x</sub> = B<sub>0</sub>...B<sub>n</sub>; n=5 for the PDTCH/HU and n=11 for the PDTCH/FU) in the 52-multiframe structure for a given MS on a given PDCH shall be indicated by the value of the Uplink State Flag (USF) contained in the header of the preceding block transmitted in the downlink of the same PDCH, that is to say B<sub>(x-1)</sub> in the same multiframe if x≥1 or B<sub>(n)</sub> in the previous multiframe if x=0. If the USF in block B<sub>(x-1)</sub> indicates that block B<sub>(x)</sub> shall be used by an MS for which the USF\_GRANULARITY is set to 1 (corresponding to 4 blocks) in the last assignment message, that MS shall also use the three following blocks. The USF corresponding to the last three blocks shall be set to an unused value. The MS may transmit a PDTCH block or a PACCH block on any of the uplink blocks used by the MS. The occurrence of the PACCH/U associated to a PDTCH/D shall be indicated by the network by polling the MS (see 3GPP TS 44.060).

NOTE: This subclause specifies how the network shall signal that the MS is allowed to use the uplink. The operation of the MS is specified in 3GPP TS 44.060. In particular cases of extended dynamic allocation or exclusive allocation, the MS may not need to monitor the USF on all allocated PDCHs.

NOTE: The PDCH/HU is only assigned in exclusive allocation (see 3GPP TS 44.060).

NOTE: A MS using packet uplink traffic channels mapped to the same physical channel than an uplink PCCCH in fixed allocation or extended dynamic allocation MAC mode is not required to check if allocated uplink PDTCH/U or PACCH/U blocks also belong to the PRACH.

For COMPACT, USF\_GRANULARITY should be set to 0 (corresponding to 1 block) for dynamic allocation for the following cases:

- i) for odd timeslot numbers (TN) 1, 3, 5, and 7 in nominal and large cells;
- ii) for even timeslot numbers (TN) 0, 2, 4, and 6 in large cells.

#### 6.3.2.2.2 Mapping of the Packet Timing Advance Control Channel (PTCCH/U)

The PDCH carrying the PTCCH/U of one MS is defined in the resource allocation message (see 3GPP TS 44.060). PTCCH/U shall be mapped to one of the time slots where PDTCH(s) are allocated to the MS. PTCCH/U shall be allocated respecting the resources allocated to the MS and the MS multislot class. An MS shall be allocated a sub-channel of the PTCCH/U (0...15) as defined in clause 7 table 6, where the sub-channel number is equal to the Timing Advance Index (TAI) indicated in the resource allocation message (see 3GPP TS 44.060).

### 6.3.2.2.3 Mapping of the uplink PCCCH i.e. PRACH

The mapping of the PRACH is defined in clause 7 table 6, where the possible blocks are indicated. The PRACH is dynamically allocated in groups of four PRACH blocks  $B_y$  ( $y=4x+i$ ,  $i=0, \dots, 3$ ) corresponding to one PDCH block  $B_x$  ( $x=0, \dots, 11$ ), indicated by  $USF=FREE$  in the same way as defined for PDTCH/U (see subclause 6.3.2.2.1).

Optionally, a subset of the blocks  $B_x$  can be allocated to PRACH in a fixed way. The number of allocated blocks is indicated by the parameter  $BS\_PRACH\_BLKS$  broadcast on the PBCCH, where  $BS\_PRACH\_BLKS=0\dots 12$ . The blocks are allocated according to the ordered list defined in subclause 6.3.2.1. The blocks shall also be indicated by the  $USF=FREE$ . The MS may choose to use the  $BS\_PRACH\_BLKS$  or  $USF$  to determine the fixed allocated part of PRACH.

#### 6.3.2.2.3a Mapping of the COMPACT uplink CPCCCH i.e. CPRACH

The CPRACH is dynamically or fixed allocated in the same way as defined for PRACH (see subclause 6.3.2.2.3).  $USF$  should be set equal to  $FREE$  for downlink block  $B_0$  on a serving time group when 4 time groups are assigned. Uplink blocks (other than block  $B_1$  on a serving time group) that are preceded by CPBCCH and CPCCCH blocks should be prioritized for use as CPRACH.

See Annex D for examples based on sixteen prioritized CPRACH blocks.

### 6.3.2.3 Mapping of the downlink channels

#### 6.3.2.3.1 Mapping of the (PDTCH/D) and PACCH/D

The PDCH where the MS may expect occurrence of its PDTCH/D(s) for a mobile terminated transfer or its PACCH/D, for both mobile originated and mobile terminated transfer are indicated in resource allocation messages (see 3GPP TS 44.060). PDTCH/D and PACCH/D can be mapped dynamically on all blocks except those used for PBCCH (see subclause 6.3.2.3.3). The logical channel type shall be indicated in the block header. The mobile owner of the PDTCH/D or PACCH/D shall be indicated by the TFI (Temporary Frame Identifier) (see 3GPP TS 44.060).

#### 6.3.2.3.2 Mapping of the PTCCH/D

The PTCCH/D is mapped as defined in Clause 7 table 6. The PTCCH/D carries signalling messages including timing advance information for MSs sharing the PTCCH/U on the same PDCH.

#### 6.3.2.3.3 Mapping of the PBCCH

The PBCCH is mapped onto one PDCH only, indicated in the BCCH. The PBCCH is mapped on  $BS\_PBCCH\_BLKS$  blocks (where  $1 \leq BS\_PBCCH\_BLKS \leq 4$ ) per multiframe, according to the ordered list described in subclause 6.3.2.1. The blocks allocated are specified in Clause 7 table 6. The parameter  $BS\_PBCCH\_BLKS$  is broadcast on PBCCH in block  $B_0$  (see subclause 3.3.2.4).

#### 6.3.2.3.3a Mapping of the COMPACT CPBCCH

The CPBCCH is mapped onto a primary COMPACT carrier on the time group indicated by  $TG$  on CSCH (see subclause 3.3.2.2). This time group is known as the serving time group and rotates over odd timeslot numbers (see subclause 6.3.2.1). The CPBCCH is mapped on  $BS\_PBCCH\_BLKS$  blocks (where  $1 \leq BS\_PBCCH\_BLKS \leq 4$ ) per multiframe, according to the ordered list described in subclause 6.3.2.1. The blocks allocated are specified in clause 7 table 9. The parameters  $BS\_PBCCH\_BLKS$  is broadcast on CPBCCH in block  $B_0$  (see subclause 3.3.2.4).

See Annex D for examples based on one CPBCCH block.

When  $USF=FREE$  in downlink block  $B_0$  on a serving time group, the CPRACH is allocated in uplink block  $B_1$  after timeslot rotation. When  $USF$  has any other value in downlink block  $B_0$  on a serving time group, the uplink allocation of  $B_1$  is valid for the same timeslot, irrespective of timeslot rotation.

#### 6.3.2.3.4 Mapping of the PCCCH

The PCCCH and its different logical channels (PAGCH, PPCH, PNCH) can be mapped dynamically and are identified by the message header. The configuration is partly fixed by some parameters broadcast by the PBCCH and defined in subclause 3.3.2.4:

- a) BS\_PBCCH\_BLKs, that defines the number of PBCCH blocks per multiframe, according to the ordered list described in subclause 6.3.2.1, on the PDCH that carries PBCCH;
- b) BS\_PAG\_BLKs\_RES, that defines the number of blocks in addition to BS\_PBCCH\_BLKs, according to the ordered list described in subclause 6.3.2.1, where PPCH shall not occur on every PDCH that carries PCCCH.

PCCCH (except PPCH) can be mapped on all blocks except those used for PBCCH.

If PBCCH is allocated on timeslot  $k$ , PCCCHs shall be allocated only on timeslots  $n$  where  $n > k - 4$  and  $0 \leq n \leq 7$  in order to provide time for the MS to switch from PBCCH to PCCCH.

#### 6.3.2.3.4a Mapping of the COMPACT CPCCCH

The CPCCCH and its different logical channels (CPAGCH, CPPCH, CPNCH) can be mapped dynamically and are identified by the message header. The configuration is partly fixed by some parameters broadcast by the CPBCCH and defined in subclause 3.3.2.4:

- a) BS\_PBCCH\_BLKs, that defines the number of CPBCCH blocks per multiframe, according to the ordered list described in subclause 6.3.2.1, on the radio frequency channel that carries CPBCCH;
- b) BS\_PAG\_BLKs\_RES, that defines the number of blocks in addition to BS\_PBCCH\_BLKs, where CPPCH shall not occur on every radio frequency channel that carries CPCCCH. These blocks without CPPCH are allocated after CPPCH blocks according to the ordered list described in subclause 6.3.2.1.

CPCCCH (except CPPCH) can be mapped on all blocks except those used for CPBCCH.

For primary COMPACT carriers, CPCCCHs shall be allocated on the same time group as CPBCCH. CPCCCHs on secondary COMPACT carrier(s) shall be allocated on same time group as for primary COMPACT carrier.

See Annex D for examples based on three CPCCCH blocks.

#### 6.3.2.4 Mapping of PBCCH data

In order to facilitate the MS operation, the network is required to transmit certain types of Packet System Information (PSI) messages in specific multiframe and specific PBCCH blocks within the multiframe. The occurrence of the PSI1 message is defined by  $TC = (FN \text{ DIV } 52) \text{ mod } \text{PSI1\_REPEAT\_PERIOD}$ , where  $\text{PSI1\_REPEAT\_PERIOD}$  (range 1 - 16) is indicated in the SI13 message on BCCH, the PSI 1 message on PBCCH and, if present, in the Neighbour Cell parameters in PSI3 and PSI3bis messages sent on serving cell PBCCH.

The PSI1 message is transmitted at  $TC = 0$  according to rule i) and ii) below.

The PSI messages other than the PSI1 message are divided into two groups of PSI messages. One group of PSI messages is transmitted with a low repetition rate and a second group is transmitted with a high repetition rate.

The number of PSI message instances sent with high repetition rate is indicated by the parameter  $\text{PSI\_COUNT\_HR}$  (range 0 to 16) in the PSI1 message. The PSI messages in this group are sent according to rule iii) below.

The number of PSI message instances sent with low repetition rate is indicated by the parameter  $\text{PSI\_COUNT\_LR}$  (range 0 to 63) in the PSI1 message. The PSI messages in this group are sent according to rule iv) below.

The following rules apply:

- i) PSI1 shall be sent in block B0 when  $TC = 0$ ;
- ii) if the value of the parameter BS\_PBCCH\_BLKs is greater than 1, the PSI1 shall also be sent in block B6 when  $TC = 0$ ;
- iii) the PSI messages in the group sent with high repetition rate shall be sent in a sequence determined by the network and starting at  $TC = 0$ , using the PBCCH blocks within each multiframe, in the order of occurrence,



which are not occupied according to rule i) or ii). The sequence of these PSI messages shall be repeated starting at each occurrence of  $TC = 0$ ;

- iv) the PSI messages in the group sent with low repetition rate shall be sent in a sequence determined by the network and continuously repeated, using the PBCCH blocks within each multiframe, in the order of occurrence, which are not occupied according to rules i) to iii). The sequence of these PSI messages shall be restarting at  $FN = 0$ .

If there are multiple instances of a particular type of PSI message (see 3GPP TS 44.060), they shall all be sent within same group of PSI messages according to either rule iii) or iv) above. They shall be sent in a single sequence in the ascending order of the message instance number of that type of PSI message.

The same PSI message shall not occur twice within the lists defined by `PSI_COUNT_LR` and `PSI_COUNT_HR`

A full set of Packet System Information messages contains one consistent set of the messages included in `PSI_COUNT_LR` and one consistent set of the messages included in `PSI_COUNT_HR` plus the PSI1 message.

NOTE: The parameters `BS_PBCCH_BLKs` and `PSI1_REPEAT_PERIOD` shall be selected by the network such that all PSI message present in the cell can be sent according to rules i) to iv) above. It is the responsibility of the network to optimise the broadcast of the PSI messages so that the MS can find the important parameters for cell re-selection and access as fast as possible without unnecessary power consumption. The PSI mapping scheme information can be utilised by the MS to estimate the actual minimum cell reselection time.

#### 6.3.2.4a Mapping of COMPACT CPBCCCH data

See subclause 6.3.2.4, with the exception that the CPBCCCH is a stand-alone packet control channel for COMPACT.

### 6.3.3 Mapping in time of CTS control channels onto physical channels

The mapping in time of CTS control channels is defined in the table 8 of clause 7, which also defines the relationship of the air interface TDMA frames to the multiframe.

The timeslot assignment of the CTS control channel is defined hereafter.

#### 6.3.3.1 CTSBCH timeslot assignment

For the CTSBCH, a procedure of timeslot shifting from one 52-multiframe to another is defined. The usage of this procedure is mandatory in CTS idle mode and optional in CTS dedicated mode. When the shifting procedure is not applied, the CTSBCH timeslot number shall be equal to the TNC broadcast in the current 52-multiframe CTSBCH-SB.

The following parameters are required for the timeslot shifting procedure.

Parameters broadcast in the CTSBCH-SB:

- a) `TNI`: initial timeslot number (0 to 7, 3 bits), defined by the three LSBs (`BN3`, `BN2`, `BN1`) of the FPBI (specified in 3GPP TS 23.003);
- b) `TNSCN`: timeslot number series couple number (0 to 31, 5 bits), defined by the 5 bits (`BN8`, ..., `BN4`) of the FPBI. Defines the couple of timeslot number circular series ( $TNS_{TNSCN,0}$ ,  $TNS_{TNSCN,1}$ ) to be used to form the timeslot shifting sequence. See timeslot number series (TNS) definition in table below.

Table 1 (subclause 6.3.3): TNS<sub>i,j</sub> definition

| TNSCN | TNS <sub>TNSCN,0</sub>   | TNS <sub>TNSCN,1</sub>   | TNSCN | TNS <sub>TNSCN,0</sub>   | TNS <sub>TNSCN,1</sub>   |
|-------|--------------------------|--------------------------|-------|--------------------------|--------------------------|
| 0     | (0, 1, 2, 4, 7, 5, 6, 3) | (0, 3, 5, 7, 6, 2, 1, 4) | 16    | (0, 1, 5, 6, 7, 4, 3, 2) | (0, 4, 7, 6, 2, 5, 1, 3) |
| 1     | (0, 1, 2, 5, 3, 6, 7, 4) | (0, 4, 1, 5, 7, 6, 3, 2) | 17    | (0, 2, 1, 3, 6, 7, 5, 4) | (0, 3, 7, 4, 1, 5, 6, 2) |
| 2     | (0, 1, 2, 6, 5, 3, 7, 4) | (0, 3, 6, 7, 5, 2, 4, 1) | 18    | (0, 2, 1, 5, 6, 7, 4, 3) | (0, 4, 7, 5, 1, 3, 6, 2) |
| 3     | (0, 1, 2, 6, 7, 5, 4, 3) | (0, 3, 7, 4, 6, 2, 5, 1) | 19    | (0, 2, 3, 4, 7, 6, 5, 1) | (0, 3, 1, 5, 2, 6, 7, 4) |
| 4     | (0, 1, 3, 2, 5, 6, 7, 4) | (0, 4, 7, 6, 2, 1, 5, 3) | 20    | (0, 2, 3, 6, 7, 5, 1, 4) | (0, 4, 7, 6, 3, 5, 2, 1) |
| 5     | (0, 1, 3, 6, 7, 5, 2, 4) | (0, 3, 7, 4, 2, 6, 5, 1) | 21    | (0, 2, 3, 7, 5, 6, 4, 1) | (0, 3, 6, 2, 1, 5, 7, 4) |
| 6     | (0, 1, 4, 2, 5, 6, 7, 3) | (0, 2, 6, 3, 7, 5, 4, 1) | 22    | (0, 2, 4, 7, 3, 6, 5, 1) | (0, 3, 5, 6, 7, 4, 1, 2) |
| 7     | (0, 1, 4, 2, 5, 7, 6, 3) | (0, 4, 7, 3, 5, 6, 2, 1) | 23    | (0, 2, 5, 3, 6, 7, 4, 1) | (0, 3, 7, 6, 5, 1, 2, 4) |
| 8     | (0, 1, 4, 2, 6, 5, 7, 3) | (0, 2, 1, 5, 3, 6, 7, 4) | 24    | (0, 2, 5, 3, 7, 6, 4, 1) | (0, 3, 5, 1, 2, 6, 7, 4) |
| 9     | (0, 1, 4, 5, 7, 3, 6, 2) | (0, 3, 7, 6, 5, 2, 4, 1) | 25    | (0, 2, 6, 3, 1, 5, 7, 4) | (0, 3, 4, 7, 6, 5, 1, 2) |
| 10    | (0, 1, 4, 6, 5, 7, 3, 2) | (0, 4, 7, 5, 1, 2, 6, 3) | 26    | (0, 2, 6, 5, 1, 4, 7, 3) | (0, 4, 5, 7, 6, 3, 1, 2) |
| 11    | (0, 1, 4, 7, 3, 5, 6, 2) | (0, 4, 2, 1, 5, 7, 6, 3) | 27    | (0, 2, 6, 5, 3, 7, 4, 1) | (0, 3, 6, 7, 5, 1, 2, 4) |
| 12    | (0, 1, 4, 7, 6, 3, 5, 2) | (0, 4, 2, 1, 5, 6, 7, 3) | 28    | (0, 3, 5, 1, 2, 6, 7, 4) | (0, 4, 7, 6, 5, 2, 3, 1) |
| 13    | (0, 1, 5, 2, 4, 7, 6, 3) | (0, 3, 7, 5, 1, 4, 6, 2) | 29    | (0, 3, 5, 2, 6, 7, 4, 1) | (0, 4, 7, 3, 6, 5, 1, 2) |
| 14    | (0, 1, 5, 2, 6, 4, 7, 3) | (0, 3, 4, 5, 7, 6, 2, 1) | 30    | (0, 3, 6, 7, 4, 2, 5, 1) | (0, 4, 1, 2, 6, 5, 7, 3) |
| 15    | (0, 1, 5, 6, 2, 4, 7, 3) | (0, 3, 7, 6, 4, 5, 2, 1) | 31    | (0, 3, 7, 5, 6, 2, 4, 1) | (0, 4, 7, 6, 3, 5, 1, 2) |

Parameters sent on a dedicated connection during the CTS-MS attachment:

- a) TNSCO : TNS couple order (1 bit), defines together with TNSCN the ordered couple (TNS1, TNS2).  
 if TNSCO = 0 then (TNS1, TNS2) = (TNS<sub>TNSCN,0</sub>, TNS<sub>TNSCN,1</sub>)  
 if TNSCO = 1 then (TNS1, TNS2) = (TNS<sub>TNSCN,1</sub>, TNS<sub>TNSCN,0</sub>)
- b) parameters to be used to form the timeslot shifting sequence.  
 x0 : 0 to 7, 3 bits  
 x1 : 0 to 7, 3 bits  
 x2 : 0 to 7, 3 bits  
 x3 : 0 to 7, 3 bits

For a given set of parameters, a unique timeslot shifting sequence of length of 8 x 51 52-multiframes is defined. The shifting sequence is repeated 128 times over the duration of a GSM hyperframe. It is divided into 8 sets of 51 52-multiframes. The structure of a set is explicitly shown on figure below :

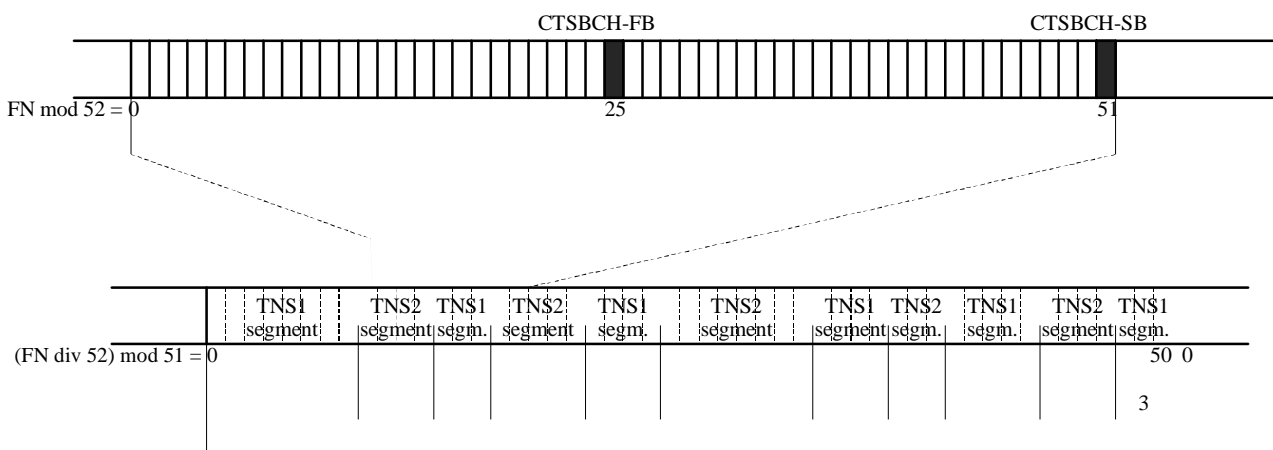


Figure 1 (subclause 6.3.3): Structure of timeslot shifting sequence

A set is formed by interleaving segments of TNS1 and TNS2. The mapping of TNS1 and TNS2 segments onto a set is defined by the parameters x0, x1, x2, x3 as follows :

for (FN div 52) mod 51 = 0 to 7 a TNS1 segment is used

|   |                   |                        |
|---|-------------------|------------------------|
| for (FN div 52) mod 51 = 8              | to 7+x3           | a TNS2 segment is used |
| for (FN div 52) mod 51 = 8+x3           | to 7+x3+x2        | a TNS1 segment is used |
| for (FN div 52) mod 51 = 8+x3+x2        | to 7+x3+x2+x1     | a TNS2 segment is used |
| for (FN div 52) mod 51 = 8+x3+x2+x1     | to 7+x3+x2+x1+x0  | a TNS1 segment is used |
| for (FN div 52) mod 51 = 8+x3+x2+x1+x0  | to 15+x3+x2+x1+x0 | a TNS2 segment is used |
| for (FN div 52) mod 51 = 16+x3+x2+x1+x0 | to 23+x3+x2+x1    | a TNS1 segment is used |
| for (FN div 52) mod 51 = 24+x3+x2+x1    | to 31+x3+x2       | a TNS2 segment is used |
| for (FN div 52) mod 51 = 32+x3+x2       | to 39+x3          | a TNS1 segment is used |
| for (FN div 52) mod 51 = 40+x3          | to 47             | a TNS2 segment is used |
| for (FN div 52) mod 51 = 48             | to 50             | a TNS1 segment is used |

The TNS1 and TNS2 segments are extracted from TNS1 and TNS2 according to the following rules :

- The first CTSBCH TN used in a shifting sequence shall be the TNI.
- Two consecutive CTSBCH TN shall be separated by single circular shifts along TNS1 and TNS2.
- When changing from a TNS<sub>i</sub> segment to a TNS<sub>j</sub> segment, the last timeslot obtained from TNS<sub>i</sub> shall be followed by its immediate successor in TNS<sub>j</sub>.

NOTE: The first timeslot of a set is obtained by three circular shifts in TNS1 with regard to the first timeslot of the previous set.

An example of the mapping of TNS1 and TNS2 onto the first set of the generated shifting sequence is given in annex C.

### 6.3.3.2 CTSPCH, CTSARCH and CTSAGCH timeslot assignment

For the CTSPCH, CTSARCH and CTSAGCH, the timeslot shall be assigned by the CTS-FP for each 52-multiframe. The timeslot number used for CTSPCH, CTSARCH and CTSAGCH shall be the TNC broadcast in the previous 52-multiframe CTSBCH-SB.

## 6.4 Permitted channel combinations

### 6.4.1 Permitted channel combinations onto a basic physical channel

The following are the permitted ways, as defined by 3GPP TS 44.003, in which channels can be combined onto basic physical channels for one or several MSs.

The following definitions are used in the list of combinations below.

| <u>Combination designation</u> | <u>Channel combination</u>            |
|--------------------------------|---------------------------------------|
| SUB_TA                         | TCH/H + FACCH/H + SACCH/TH            |
| SUB_T                          | TCH/H                                 |
| SUB_PA                         | PDTCH/H + PACCH/H                     |
| SUB_TE                         | TCH/H + FACCH/H + SACCH/TPH + EPCCH/H |
| SUB_OTA                        | O-TCH/H + O-FACCH/H + SACCH/TH        |
| SUB_OT                         | O-TCH/H                               |

SUB\_OTE            O-TCH/H + O-FACCH/H + SACCH/TPH + EPCCH/H

Numbers appearing in parenthesis after channel designations indicate sub-channel numbers. (0..n) shall be interpreted as subchannel 0, 1,...,n-1 and n. Channels and sub-channels need not necessarily be assigned.

- i) TCH/F + FACCH/F + SACCH/TF
- ii) O-TCH/F + O-FACCH/F + SACCH/TF
- iii)
- iv) FCCH + SCH + BCCH + CCCH
- v) FCCH + SCH + BCCH + CCCH + SDCCH/4(0..3) + SACCH/C4(0..3)
- vi) BCCH + CCCH
- vii) SDCCH/8(0..7) + SACCH/C8(0..7)
- viii) TCH/F + FACCH/F + SACCH/M
- ix) TCH/F + SACCH/M
- x) TCH/FD + SACCH/MD
- xi) PBCCH + PCCCH + PDTCH/F + PACCH/F + PTCCH/F
- xii) PCCCH + PDTCH/F + PACCH/F + PTCCH/F
- xiii) PDTCH/F + PACCH/F + PTCCH/F
- xiv) CTSBCH + CTSPCH + CTSARCH + CTSAGCH
- xv) CTSPCH + CTSARCH + CTSAGCH
- xvi) CTSBCH
- xvii) CTSBCH + TCH/F + FACCH/F + SACCH/CTS
- xviii) E-TCH/F + E-IACCH/F + E-FACCH/F + SACCH/TF
- xix) E-TCH/F + E-IACCH/F + E-FACCH/F + SACCH/M
- xx) E-TCH/F + E-IACCH/F + SACCH/M
- xxi) E-TCH/FD + E-IACCH/F + SACCH/MD
- xxii) CFCCH + CSCH + CPBCCH + CPCCCH + PDTCH/F + PACCH/F + PTCCH/F
- xxiii) CPCCCH + PDTCH/F + PACCH/F + PTCCH/F
- xxiv) O-TCH/F + O-FACCH/F + SACCH/TPF + EPCCH/F
- xxv) TCH/F + FACCH/F + SACCH/TPF + EPCCH/F
- xxvi) TCH/F + FACCH/F + SACCH/MP + EPCCH/M
- xxvii) TCH/F + SACCH/MP + EPCCH/M
- xxviii) TCH/FD + SACCH/MPD + EPCCH/MD
- xxix) PDTCH/F + PACCH/F + SACCH/TF
- xxx) PDTCH/F + PACCH/F + SACCH/TPF + EPCCH/F
- xxxi) PDTCH/F + PACCH/F + SACCH/M
- xxxii) PDTCH/FD + PACCH/FD + SACCH/MD

xxxiii) PDTCH + PACCH/F + SACCH/M + EPCCH/M

xxxiv) PDTCH + PACCH/F + SACCH/M + EPCCH/MD

The following combinations of half rate channels are allowed on a basic physical channel for a single mobile, where the second half rate channel need not be allocated:

- a1) SUB\_TA + SUB\_T (Lm + Lm configuration)
- a2) SUB\_TA + SUB\_OT (Lm + Lm configuration)
- a3) SUB\_TA + SUB\_PA (DTM single slot)
- a4) SUB\_TE + SUB\_T (Lm + Lm configuration)
- a5) SUB\_TE + SUB\_OT (Lm + Lm configuration)
- a6) SUB\_TE + SUB\_PA (DTM single slot)
- a7) SUB\_OTA + SUB\_OT (Lm + Lm configuration)
- a8) SUB\_OTA + SUB\_T (Lm + Lm configuration)
- a9) SUB\_OTA + SUB\_PA (DTM single slot)
- a10) SUB\_OTE + SUB\_OT (Lm + Lm configuration)
- a11) SUB\_OTE + SUB\_T (Lm + Lm configuration)
- a12) SUB\_OTE + SUB\_PA (DTM single slot)

The following combinations of half rate channels are allowed on a basic physical channel for two mobiles:

- b1) SUB\_TA + SUB\_TA
- b2) SUB\_TA + SUB\_TE
- b3) SUB\_TA + SUB\_OTA
- b4) SUB\_TA + SUB\_OTE
- b5) SUB\_TE + SUB\_TE
- b6) SUB\_TE + SUB\_OTA
- b7) SUB\_TE + SUB\_OTE
- b8) SUB\_OTA + SUB\_OTA
- b9) SUB\_OTA + SUB\_OTE
- b10) SUB\_OTE + SUB\_OTE

NOTE 0: CCCH = PCH+ RACH + AGCH + NCH.

PCCCH = PPCH+PRACH+PAGCH+PNCH

CPCCCH = CPPCH + CPRACH + CPAGCH + CPNCH

NOTE 1: Where the SMSCB is supported, the CBCH replaces SDCCH number 2 in cases v) and vii) above.

NOTE 2: A combined CCCH/SDCCH allocation (case v) above) may only be used when no other CCCH channel is allocated.

NOTE 3: Combinations viii), ix), x), xix), xx), xxi), xxix), xxx), xxxi) and xxxii) are used without EPC in multislot configurations as defined in subclause 6.4.2.

NOTE 4: Combinations xiv), xv), xvi) and xvii) shall be used in CTS; combinations xiv), xvi) and xvii) shall be mutually exclusive; combinations xiv) and xv) shall also be mutually exclusive.

NOTE 5: Combinations xxii) and xxiii) shall be used for COMPACT on serving time groups.

NOTE 6: Combinations i), ii), xiii), xxv), xxiv) or any of a1) to a12) shall be used for single timeslot operation in DTM.

NOTE 7: A unidirectional TCH combination i), viii), ix) or x) may be combined with the corresponding E-TCH combination xviii), xix), xx) or xxi) respectively in the other direction.

NOTE 8: Combinations xxvi), xxvii), xxviii), xxxii), xxxiii) and xxxiv) are used with EPC in multislot configurations as defined in subclause 6.4.2.

NOTE 9: The basic physical channel onto which channels can be combined according to combinations i), ii), viii), ix), x), xviii), xix), xx), xxi), xxiv), xxv), xxvi), xxvii), xxviii), xxix), xxx), xxxi), xxxii), xxxiii) and xxxiv) is referred to as dedicated basic physical subchannel full rate (DBPSCH/F) in *Iu mode*.

NOTE 10: The basic physical channel onto which channels can be combined according to combinations xi), xii) and xiii) is referred to as shared basic physical subchannel full rate (SBPSCH/F) in *Iu mode*.

NOTE 11: The part of the basic physical channel onto which channels can be combined according to combinations SUB\_TA, SUB\_T, SUB\_PA, SUB\_TE, SUB\_OT, SUB\_OTA, SUB\_OT, SUB\_OTE is referred to as dedicated basic physical subchannel half rate (DBPSCH/H) in *Iu mode*.

NOTE 12: The part of the basic physical channel onto which channels can be combined according to combination SUB\_PA is referred to as shared basic physical subchannel half rate (SBPSCH/H) in *Iu mode*.

NOTE 13: The parts of the basic physical channel onto which SDCCH and SACCH can be combined according to combination v) are referred to as dedicated basic physical subchannels for SDCCH/4 and SACCH/C4 (DBPSCH/S4) in *Iu mode*.

NOTE 14: The parts of the basic physical channel onto which SDCCH and SACCH can be combined according to combination vii) are referred to as dedicated basic physical subchannels for SDCCH/8 and SACCH/C8 (DBPSCH/S8) in *Iu mode*.

## 6.4.2 Multislot configurations

A multislot configuration consists of multiple circuit or packet switched traffic channels together with associated control channels, allocated to the same MS. The multislot configuration occupies up to 8 basic physical channels, with different timeslots numbers (TN) but with the same frequency parameters (ARFCN or MA, MAIO and HSN) and the same training sequence (TSC).

### 6.4.2.1 Multislot configurations for circuit switched connections in *A/Gb mode*

In *A/Gb mode*, two types of multislot configurations exist, symmetric and asymmetric. The symmetric case consists of only bi-directional channels. The asymmetric case consists of both bi-directional and unidirectional downlink channels.

The occupied physical channels shall consist of the following channel combinations as defined in subclause 6.4.1.

one main channel of type viii) or xix) +  
 x secondary channels of type ix) or xx) +  
 y secondary channels of type x) or xxi)

When in EPC mode (see 3GPP TS 45.008) the occupied physical channels shall consist of the following channel combinations as defined in subclause 6.4.1.

one main channel of type xxvi) +  
 x secondary channels of type xxvii) +  
 y secondary channels of type xxviii)

where  $0 \leq x \leq 7, y = 0$  for symmetric multislot configuration  
 $0 \leq x \leq 6, 1 \leq y \leq 7, x+y \leq 7$  for asymmetric multislot configuration

The main channel is the bi-directional channel that carries the main signalling (FACCH and SACCH) for the multislot configuration. The position of the main channel is indicated by the allocation message (3GPP TS 44.018). Secondary channels may be added or removed without changing the main channel.

The allocation of channels to a Multislot Configuration must always consider the multislot capability of the MS, as defined by the multislot class described in annex B.

There is no limitation in this TS to the possible TCH types (see subclause 3.2) which may be used in a Multislot Configuration.

High Speed Circuit Switched Data (HSCSD) is one case of multislot configuration. The full rate traffic channels of a HSCSD configuration shall convey the same user bit rate (see subclause 3.2.3).

NOTE: For the maximum number of timeslots to be used for a HSCSD, see 3GPP TS 23.034.

#### 6.4.2.2 Multislot configurations for packet switched connections in *A/Gb mode*

In *A/Gb mode*, an MS may be allocated several PDTCH/Us or PDTCH/Ds for one mobile originated or one mobile terminated communication respectively. The total number of allocated PDTCH/Us and PDTCH/Ds shall not exceed the total number of uplink and downlink timeslots that can be used by the MS per TDMA frame (i.e., the parameter 'Sum' specified in Annex B). In this context allocation refers to the list of PDCH given in the assignment message and that may dynamically carry the PDTCHs for that specific MS.

If there are m timeslots allocated for reception and n timeslots allocated for transmission:

- For a multislot class type 1 MS, there shall be  $\text{Min}(m,n,2)$  reception and transmission timeslots with the same TN;
- For a multislot class type 2 MS, there shall be  $\text{Min}(m,n)$  reception and transmission timeslots with the same TN.

If dynamic allocation is used, the PACCH may be mapped onto any of the allocated PDCHs. If extended dynamic allocation is used, the mapping of PACCH onto the allocated PDCHs is specified in 3GPP TS 44.060.

For multislot class type 1 MS, the following table lists the number of slots that are possible to allocate (provided that it is supported by the MS according to its multislot class) for different medium access modes (see 3GPP TS 44.060). It also indicates if the network shall apply  $T_{ra}$  or  $T_{ra}$  (see annex B), and if Shifted USF operation shall apply (see 3GPP TS 44.060).

**Table 6.4.2.2.1: Multislot configurations for packet switched connections in *A/Gb mode***

| Medium access mode      | No of Slots  | T <sub>ra</sub> shall apply | T <sub>ia</sub> shall apply | Applicable Multislot classes | Note  |
|-------------------------|--|-----------------------------|-----------------------------|------------------------------|-------|
| Downlink, any mode      | 1-6  | Yes                         | -                           | 1-12, 19-45                  |       |
|                         | 7-8  | No                          | -                           | 19-29                        | 1,2   |
| Uplink, Dynamic         | 1-2  | Yes                         | -                           | 1-12, 19-45                  |       |
| Uplink, Ext. Dynamic    | 1-3  | Yes                         | -                           | 1-12, 19-45                  |       |
|                         | 4  | No                          | Yes                         | 12, 33-34, 38-39, 43-45      | 2     |
|                         | 5  | Yes                         | -                           | 34, 39                       | 2,3,5 |
|                         | 5  | No                          | Yes                         | 44-45                        | 2,4   |
|                         | 6  | No                          | Yes                         | 45                           | 2,4,5 |
| Down + up, Dynamic      | d+u = 2-5, u < 3   | Yes                         | -                           | 1-12, 19-45                  |       |
|                         | d+u = 6, u < 3   | Yes                         | -                           | 30-45                        | 2,3   |
|                         | d+u = 7, u < 3   | No                          | Yes                         | 40-45                        | 2,4   |
| Down + up, Ext. Dynamic | d+u = 2-4  | Yes                         | -                           | 1-12, 19-45                  |       |
|                         | d+u = 5, d > 1   | Yes                         | -                           | 8-12, 19-45                  |       |
|                         | d = 1, u = 4   | No                          | Yes                         | 12, 33-34, 38-39, 43-45      | 2     |
|                         | d+u = 6, d > 1   | Yes                         |                             | 30-45                        | 2,3   |
|                         | d = 1, u = 5   | Yes                         |                             | 34,39                        | 2,3,5 |
|                         | d = 1, u = 5   | No                          | Yes                         | 44-45                        | 2,4   |
|                         | d+u = 7, d > 1   | No                          | Yes                         | 40-45                        | 2,4   |
|                         | d = 1, u = 6   | No                          | Yes                         | 45                           | 2,4,5 |
| Note 1                  | Normal measurements are not possible (see 3GPP TS 45.008). |                             |                             |                              |       |
| Note 2                  | Normal BSIC decoding is not possible (see 3GPP TS 45.008). |                             |                             |                              |       |
| Note 3                  | TA offset required for multislot classes 35-39.            |                             |                             |                              |       |
| Note 4                  | TA offset required for multislot classes 40-45.            |                             |                             |                              |       |
| Note 5                  | Shifted USF operation shall apply (see 3GPP TS 44.060)     |                             |                             |                              |       |

For multislot class type 2 MS, all allocations according to its multislot class are possible independent of the MAC mode.

The occupied physical channels shall consist of a combination of configurations xi, xii and xiii as defined in subclause 6.4.1. For COMPACT, the occupied physical channels shall consist of a combination of configurations xiii), xxii), and xxiii), as defined in subclause 6.4.1.

The network shall leave a gap of at least one radio block period between the old and the new configuration, when the allocation is changed and PDCHs with the lowest numbered timeslot are not the same in the old and new configuration. For multislot class type 1 MS, the gap shall be left in both uplink and downlink when the lowest numbered timeslot for the combined uplink and downlink configuration is changed. For multislot class type 2 MS, the gap shall be left in the link (uplink and/or downlink) where the lowest numbered timeslot has been changed.

### 6.4.2.3 Multislot configurations for dual transfer mode in *A/Gb mode*

For DTM in *A/Gb mode*, a multislot configuration consists of a single traffic channel (TCH, O-TCH or E-TCH) and one or more packet data traffic channels (PDTCH) together with associated control channels allocated to the same mobile station. The mix of full and half rate packet data channels is not allowed in the uplink. This mix is only defined for the downlink direction and only supported by mobile stations indicating Extended GPRS DTM Multi Slot Class or Extended EGPRS DTM Multi Slot Class capability (See 3GPP TS 24.008). The PDTCH/H is only allowed on the time slot allocated for half rate circuit switched connection.

The network shall leave a gap of at least one radio block between the old and the new configuration, when the allocation is changed and PDCHs with the lowest numbered timeslot are not the same in the old and new configuration. For multislot class type 1 MS, the gap shall be left in both uplink and downlink when the lowest numbered timeslot for the combined uplink and downlink configuration is changed.



#### 6.4.2.4 Multislot configurations for DBPSCH in *Iu mode*

##### 6.4.2.4.1 TCHs allocated

The multislot configurations for TCH on DBPSCH in *Iu mode* are equivalent to the multislot configurations for circuit switched connections in *A/Gb mode*, which are defined in section 6.4.2.1.

##### 6.4.2.4.2 PDTCHs allocated

In *Iu mode*, two types of multislot configurations exist, symmetric and asymmetric. The symmetric case consists of only bi-directional basic physical subchannels. The asymmetric case consists of both bi-directional and unidirectional downlink basic physical subchannels.

The occupied physical channels shall consist of the following channel combinations as defined in subclause 6.4.1.

x channels of type xxxi) +

y channels of type xxxii)

When in EPC mode (see 3GPP TS 45.008) the occupied physical channels shall consist of the following channel combinations as defined in subclause 6.4.1.

x channels of type xxxiii) +

y channels of type xxxiv)

where  $1 \leq x \leq 8, y = 0$  for symmetric multislot configuration

$1 \leq x \leq 7, 1 \leq y \leq 7, x+y \leq 8$  for asymmetric multislot configuration

The allocation of channels to a Multislot Configuration must always consider the multislot capability of the MS, as defined by the multislot class described in annex B.

##### 6.4.2.4.3 TCHs and PDTCHs allocated

Multislot configurations for DBPSCH may consist of a mixed allocation of TCHs and PDTCHs. The multislot configurations for TCH and PDTCH on DBPSCH in *Iu mode* are defined in sections 6.4.2.4.1 and 6.4.2.4.2.

##### 6.4.2.5 void

#### 6.4.2.6 Multislot configurations for SBPSCH in *Iu mode*

The multislot configurations for SBPSCH in *Iu mode* are equivalent to the multislot configurations for packet switched connections in *A/Gb mode*, which are defined in section 6.4.2.2.

#### 6.4.2.7 Multislot configurations for dual transfer mode in *Iu mode*

For dual transfer mode in *Iu mode*, a multislot configuration comprises one or more DBPSCHs and one or more SBPSCH/F. The mobile station shall support every combination of these basic physical subchannels consistent with its multislot capability signalled to the GERAN (See TS 44.118).

The network shall leave a gap of at least one radio block between the old and the new configuration, when the allocation is changed and SBPSCHs with the lowest numbered timeslot are not the same in the old and new configuration. For multislot class type 1 MS, the gap shall be left in both uplink and downlink when the lowest numbered timeslot for the combined uplink and downlink configuration is changed.

## 6.5 Operation of channels and channel combinations

### 6.5.1 General

- i) A base transceiver station must transmit a burst in every timeslot of every TDMA frame in the downlink of radio frequency channel C0 of the cell allocation (to allow mobiles to make power measurements of the radio frequency channels supporting the BCCH, see 3GPP TS 45.008). In order to achieve this requirement a dummy burst is defined in subclause 5.2.6 which shall be transmitted by the base transceiver station on all timeslots of all TDMA frames of radio frequency channel C0 for which no other channel requires a burst to be transmitted.
- ii) Timeslot number 0 of radio frequency channel C0 of the cell allocation must support either channel combinations iv) or v) in subclause 6.4.1. No other timeslot or allocated channel from the cell allocation is allowed to support channel combinations iv) or v) in subclause 6.4.1.
- iii) The parameter BS\_CC\_CHANS in the BCCH defines the number of basic physical channels supporting common control channels (CCCHs). All shall use timeslots on radio frequency channel C0 of the cell allocation. The first CCCH shall use timeslot number 0, the second timeslot number 2, the third timeslot number 4 and the fourth timeslot number 6. Each CCCH carries its own CCCH\_GROUP of mobiles in idle mode. Mobiles in a specific CCCH\_GROUP will listen for paging messages and make random accesses only on the specific CCCH to which the CCCH\_GROUP belongs. The method by which a mobile determines the CCCH\_GROUP to which it belongs is defined in subclause 6.5.2.
- iv) The parameter BS\_CCCH\_SDCCH\_COMB in the BCCH (see subclause 3.3.2) defines whether the common control channels defined are combined with SDCCH/4(0.3) + SACCH/C4(0.3) onto the same basic physical channel. If they are combined then the number of available random access channel blocks (access grant channel blocks and paging channel blocks; see following), are reduced as defined in table 5 of clause 7.
- v) The PCH, AGCH, NCH and BCCH Ext may share the same TDMA frame mapping (considered modulo 51) when combined onto a basic physical channel. The channels are shared on a block by block basis, and information within each block, when de-interleaved and decoded allows a mobile to determine whether the block contains paging messages, notification message, system information messages or access grants. However, to ensure a mobile satisfactory access to the system a variable number of the available blocks in each 51-multiframe can be reserved for access grants and system information messages, only. The number of blocks not used for paging (BS\_AG\_BLK\_RES) starting from, and including block number 0 is broadcast in the BCCH (see subclause 3.3.2). As above the number of paging blocks per 51-multiframe considered to be "available" shall be reduced by the number of blocks reserved for access grant messages.

If system information messages are sent on BCCH Ext, BS\_AG\_BLK\_RES shall be set to a value greater than zero.

Table 5 of clause 7 defines the access grant blocks and paging blocks available per 51-multiframe.

- vi) Another parameter in the BCCH, BS\_PA\_MFRMS indicates the number of 51-multiframes between transmissions of paging messages to mobiles in idle mode of the same paging group. The "available" paging blocks per CCCH are then those "available" per 51-multiframe on that CCCH (determined by the two above parameters) multiplied by BS\_PA\_MFRMS. Mobiles are normally only required to monitor every Nth block of their paging channel, where N equals the number of "available" blocks in total (determined by the above BCCH parameters) on the paging channel of the specific CCCH which their CCCH\_GROUP is required to monitor. Other paging modes (e.g. page reorganize or paging overload conditions described in 3GPP TS 44.018) may require the mobile to monitor paging blocks more frequently than this. All the mobiles listening to a particular paging block are defined as being in the same PAGING\_GROUP. The method by which a particular mobile determines to which particular PAGING\_GROUP it belongs and hence which particular block of the available blocks on the paging channel is to be monitored is defined in subclause 6.5.2.
- vii) An MS which has its membership of at least one voice group or voice broadcast call group set to the active state shall, in addition to monitoring the paging blocks as described above, monitor the notification channel, NCH. This logical channel is always mapped onto contiguous blocks reserved for access grants, in a position and number as given by the parameter NCP, defined in 3GPP TS 44.018, broadcast on the BCCH. The channel may be present when a cell supports voice group or voice broadcast calls. The coding of the various structural parameters described above in this subclause is not changed. Information within a block, when

deinterleaved and decoded, allows the MS to determine whether the block contains access grant messages or notification messages.

- viii) In presence of PCCCH, the parameter BS\_PCC\_CHANS in the PBCCH defines the number of physical channels for packet data (PDCH) carrying PCCCH. The (P)BCCH shall in addition indicate the physical description of those channels. Each PCCCH carries its own PCCCH\_GROUP of MSs in GPRS attached mode. MS in a specific PCCCH\_GROUP will listen for paging messages and make random accesses only on the specific PCCCH to which the PCCCH\_GROUP belongs. The method by which an MS determines the PCCCH\_GROUP to which it belongs is defined in subclause 6.5.6.
- ix) In CTS, the CTSBCH (CTSBCH-SB and CTSBCH-FB) shall always be transmitted by the CTS-FP according to the rules defined in Clause 6 and Clause 7 Table 8.

In CTS idle mode, a CTS-MS shall be assigned a CTS\_PAGING\_GROUP, as specified in subclause 6.5.7. Several CTS-MS can be assigned the same CTS\_PAGING\_GROUP. The CTS-MS shall determine the specific 52-multiframe where a paging block may be sent to it according to the rule defined in subclause 6.5.7, and shall listen to the CTSBCH of the previous 52-multiframe. In this 52-multiframe, the CTS-MS shall decode the CTSBCH-SB information bits : if the flag indicating the presence of a CTSPCH in the next 52-multiframe is properly set (see 3GPP TS 44.056), the CTS-MS shall listen to the next CTSPCH and read the paging block. With this method, it is not necessary to maintain on the physical channel the CTSPCH : the CTSPCH shall only be transmitted when a paging message shall be addressed to one or several CTS-MS in a CTS paging group.

When using the CTSARCH, the CTS-MS shall send two bursts on the CTSARCH: these two bursts shall be sent on two successive frames and shall fulfil the mapping defined in subclause 7 Table 8, with the requirement of the first burst being sent in a TDMA frame with even FN. They shall contain the same access request message, which is specified in 3GPP TS 44.056. The first sent burst can be used by the CTS-FP to assess the path loss between the CTS-MS and itself, in order to effectively decode the second burst.

- x) For COMPACT, the base transceiver station shall transmit a burst in a PDCH allocated to carry CPBCCH, in all TDMA Frames where CPBCCH, CFCCH, CSCH is allocated or where CPPCH can appear. In TDMA Frames where CPPCH can appear on the physical channel where CPBCCH is allocated, the base transceiver station shall transmit a dummy block in case no block is required to be transmitted.
- xi) For COMPACT, a base station does not transmit a burst in every timeslot of every TDMA frame in the downlink of the COMPACT control carrier (i.e., discontinuous transmission is used).
- xii) For COMPACT, inter base station time synchronization is required. Timeslot number (TN) =  $i$  ( $i = 0$  to 7) and frame number (FN) with  $FN \bmod 208 = 0$  shall occur at the same time in all cells.
- xiii) For the primary COMPACT carrier, timeslot numbers (TN) 1, 3, 5, and 7 shall support channel combination xxii) in subclause 6.4.1. TNs 0, 2, 4, and 6 shall support channel combination xiii).
- xiv) For the secondary COMPACT carrier(s) carrying CPCCCH, timeslot numbers (TN) 1, 3, 5, and 7 shall support channel combination xxiii) in subclause 6.4.1. TNs 0, 2, 4, and 6 shall support channel combination xiii). CPCCCHs on secondary COMPACT carrier(s) shall be allocated on same time group as for primary COMPACT carrier.
- xv) For the secondary COMPACT carrier(s) not carrying CPCCCH, timeslot numbers (TN) 0 through 7 shall support channel combination xiii) in subclause 6.4.1.
- xvi) For COMPACT, BS\_PAG\_BLK\_RES shall be less than or equal to 8 and less than or equal to 10-BS\_PBCCH\_BLK.
- xvii) For COMPACT, CFCCH, CSCH, CPBCCH, and CPCCCH are rotated as described in subclause 6.3.2.1. PDTCH, PACCH, and PTCCH do not rotate.
- xviii) For COMPACT, the parameters NIB\_CCCH\_0, NIB\_CCCH\_1, NIB\_CCCH\_2, and NIB\_CCCH\_3 shall not be broadcast for a serving time group.
- xix) For the COMPACT, NIB\_CCCH\_0, NIB\_CCCH\_1, NIB\_CCCH\_2, and NIB\_CCCH\_3 blocks shall be idle for non-serving time groups and rotate in accordance with the non-serving time groups.

The downlink position of the NIB\_CCCH idle blocks is based on the ordered list as defined in subclause 6.3.2.1. The MS shall ignore these downlink idle blocks and shall interpret this action as not having detected an assigned USF value on an assigned PDCH.

- xx) For COMPACT large cells, NIB\_CCCH\_0, NIB\_CCCH\_1, NIB\_CCCH\_2, and NIB\_CCCH\_3 blocks shall be idle on timeslots immediately preceding and succeeding non-serving time groups and rotate in accordance with the non-serving time groups. The MS shall ignore these downlink idle blocks and shall interpret this action as not having detected an assigned USF value on an assigned PDCH.

The downlink position of the NIB\_CCCH idle blocks is based on the ordered list as defined in subclause 6.3.2.1.

- xxi) For COMPACT, the MS attempts uplink random access on its designated serving time group (TG) by monitoring for USF=FREE in every downlink block.

For dynamic allocation, while in the uplink transfer state, the MS monitors all of the downlink non-idle blocks of its assigned PDCH for uplink assignments. The MS shall ignore downlink idle blocks and shall interpret this action as not having detected an assigned USF value on an assigned PDCH.

USF should be set equal to FREE for downlink non-idle blocks B0 on timeslot numbers (TN) 1, 3, 5, and 7.

## 6.5.2 Determination of CCCH\_GROUP and PAGING\_GROUP for MS in idle mode

$$\text{CCCH\_GROUP} (0 \dots \text{BS\_CC\_CHANS}-1) = ((\text{IMSI} \bmod 1000) \bmod (\text{BS\_CC\_CHANS} \times N)) \text{ div } N$$

$$\text{PAGING\_GROUP} (0 \dots N-1) = ((\text{IMSI} \bmod 1000) \bmod (\text{BS\_CC\_CHANS} \times N)) \bmod N$$

where

N = number of paging blocks "available" on one CCCH = (number of paging blocks "available" in a 51-multiframe on one CCCH) x BS\_PA\_MFRMS.

IMSI = International Mobile Subscriber Identity, as defined in 3GPP TS 23.003.

mod = Modulo.

div = Integer division.

## 6.5.3 Determination of specific paging multiframe and paging block index

The required 51-multiframe occurs when:

$$\text{PAGING\_GROUP} \text{ div } (N \text{ div } \text{BS\_PA\_MFRMS}) = (FN \text{ div } 51) \bmod (\text{BS\_PA\_MFRMS})$$

The index to the required paging block of the "available" blocks in the 51-multiframe:

$$\text{Paging block index} = \text{PAGING\_GROUP} \bmod (N \text{ div } \text{BS\_PA\_MFRMS})$$

where the index is then used with the look-up table 5 of clause 7 to determine the actual paging channel interleaved block to be monitored.

In GPRS non-DRX mode, the MS shall listen to all blocks of the CCCH channel.

## 6.5.4 Short Message Service Cell Broadcast (SMSCB)

When a short message service cell broadcast (SMSCB) message is to be sent, the message shall be sent on one of the two cell broadcast channels (CBCH): the basic and the extended cell broadcast channel in four consecutive multiframes using the block defined in table 3 of clause 7. The multiframes used for the basic cell broadcast channel shall be those in which TB = 0,1,2 and 3. The multiframes used for the extended cell broadcast channel shall be those in which TB = 4, 5, 6 and 7 where:

$$\text{TB} = (\text{FN DIV } 51) \bmod (8)$$

The SMSCB header shall be sent in the multiframe in which TB = 0 for the basic, and TB = 4 for the extended cell broadcast channel. When SMSCB is in use, this is indicated within the BCCH data (see 3GPP TS 44.018), and the parameter BS\_AG\_BLK\_RES shall be set to one or greater. When the CBCH is mapped onto a CCCH+SDCCH/4 channel, use of SMSCB does not place any constraint on the value of BS\_AG\_BLK\_RES.

NOTE 1: The MS reading of the extended CBCH is occasionally interrupted by MS idle mode procedures.

NOTE 2: For a certain network configuration the MS reading of the primary CBCH is occasionally interrupted by MS idle mode procedures when the MS is GPRS attached and in packet idle mode.

## 6.5.5 Voice group and voice broadcast call notifications

When mobile stations are to be alerted on a voice group or voice broadcast call, notification messages shall be sent on the notification channel (NCH), using the blocks defined in subclause 6.5.1.

When the NCH is in use, the parameter BS\_AG\_BLK\_RES shall be set to a value not lower than the number of blocks used for the NCH, see subclause 6.5.1 vii).

## 6.5.6 Determination of PCCCH\_GROUP and PAGING\_GROUP for MS in GPRS attached mode

If PCCCH is present, then it shall be used in the GPRS attached mode for paging and access. It shall also be used by an MS performing the GPRS attach procedure for access and monitoring of network response. In absence of PCCCH, CCCH shall be used for paging and access. If the determination of the specific paging multiframe and paging block index as specified in this subclause is not supported on CCCH by both the MS and the BTS, the method defined in subclause 6.5.2 and 6.5.3 shall be used. This is negotiated at GPRS attach.

$$\text{PCCCH\_GROUP} (0 \dots \text{KC}-1) = ((\text{IMSI mod } 1000) \text{ mod } (\text{KC} * \text{N})) \text{ div } \text{N}$$

$$\text{PAGING\_GROUP} (0 \dots \text{M}-1) = (( (\text{IMSI mod } 1000) \text{ div } (\text{KC} * \text{N})) * \text{N} +$$

$$\begin{aligned} & (\text{IMSI mod } 1000) \text{ mod } \text{N} + \\ & \text{Max}((\text{m} * \text{M}) \text{ div } \text{SPLIT\_PG\_CYCLE}, \text{m}) \text{ mod } \text{M} \\ & \text{for } \text{m} = 0, \dots, \text{Min}(\text{M}, \text{SPLIT\_PG\_CYCLE}) - 1 \end{aligned}$$

where

KC = number of (P)CCCH in the cell =

BS\_PCC\_CHANS for PCCCH  
BS\_CC\_CHANS for CCCH

M = number of paging blocks "available" on one (P)CCCH =  
(12 - BS\_PAG\_BLK\_RES - BS\_PBCCH\_BLK) \* 64 for PCCCH  
(9 - BS\_AG\_BLK\_RES) \* 64 for CCCH not combined  
(3 - BS\_AG\_BLK\_RES) \* 64 for CCCH + SDCCH combined

N =

1 for PCCCH

(9 - BS\_AG\_BLK\_RES) \* BS\_PA\_MFRMS for CCCH not combined  
(3 - BS\_AG\_BLK\_RES) \* BS\_PA\_MFRMS for CCCH/SDCCH combined

SPLIT\_PG\_CYCLE is an MS specific parameter negotiated at GPRS attach (see 3GPP TS 44.060)

IMSI = International Mobile Subscriber Identity, as defined in 3GPP TS 23.003.

mod = Modulo.

div = Integer division.

The MS shall receive paging and perform access on a single (P)CCCH identified by the PCCCH\_GROUP parameter (see subclause 6.5.1).

In non-DRX mode, depending whether there is or not PCCCH channel(s) in the cell, the MS shall listen :

- to all M blocks per multiframe where paging may appear on a PCCCH channel, or
- to all blocks on a CCCH channel.

In DRX mode, the MS shall listen to the blocks corresponding to its paging group as defined by the different PAGING\_GROUP values.

The required multiframe occurs when:

$$\text{PAGING\_GROUP div (M div 64)} = (\text{FN div MFL}) \bmod 64$$

where

$$\text{MFL} = \text{multiframe length} = 51 \text{ for CCCH or } 52 \text{ for PCCCH}$$

The index to the required paging block of the "available" blocks in the multiframe:

$$\text{Paging block index} = \text{PAGING\_GROUP} \bmod (\text{M div } 64)$$

where the index is then used with look-up tables of clause 7 to determine the actual PCCCH block to be monitored. Table 5 is used for CCCH and table 7 for PCCCH.

For CCCH, if SPLIT\_PG\_CYCLE > 32 is negotiated, SPLIT\_PG\_CYCLE = 32 shall be used, in order to provide the MS enough time for BSIC and System Information decoding.

NOTE: On BCCH, the operator should limit DRX\_TIMER\_MAX (see 3GPP TS 44.060) to 4 seconds of the same reason.

## 6.5.7 Determination of CTS\_PAGING\_GROUP and specific paging 52-multiframe for MS in CTS mode

$$\text{CTS\_PAGING\_GROUP} = (\text{CTS-MSI} \bmod N)$$

where:

CTS-MSI = CTS Mobile Subscriber Identity as defined in 3GPP TS 23.003

N = number of CTS paging groups defined in the CTS-FP and given to the CTS-MS during the attachment procedure (see 3GPP TS 44.056).

The required 52-multiframe where a paging message may be sent to the CTS-MS occurs when:

$$(\text{FN div } 52) \bmod N = \text{CTS\_PAGING\_GROUP}$$

Clause 7 Table 1 of 9: Mapping of logical channels onto physical channels (see subclauses 6.3, 6.4, 6.5)

| Channel designation  | Sub-channel number | Direction        | Allowable time slot assignments | Allowable RF channel assignments | Burst type      | Repeat length in TDMA frames | Interleaved block TDMA frame mapping   |                                |
|--|--------------------|------------------|---------------------------------|----------------------------------|-----------------|------------------------------|--|--------------------------------|
| TCH/FS, TCH/EFS,<br>TCH/AFS, TCH/F2.4,<br>TCH/WFS &<br>O-TCH/WFS |                    | D&U <sup>2</sup> | 0 ... 7                         | C0 ... Cn                        | NB <sup>1</sup> | 13                           | B0(0...7),B1(4...11),B2(8...11,0...3)  |                                |
| TCH/HS, TCH/AHS,<br>O-TCH/AHS &<br>O-TCH/WS                      | 0<br>1             | D&U <sup>2</sup> | 0 ... 7                         | C0 ... Cn                        | NB <sup>1</sup> | 13                           | B0(0,2,4,6),B1(4,6,8,10),B2(8,10,0,2)<br>B0(1,3,5,7),B1(5,7,9,11),B2(9,11,1,3) |                                |
| FACCH/F<br>& O-FACCH/F   |                    | D&U              | 0 ... 7                         | C0 ... Cn                        | NB <sup>1</sup> | 13                           | B0(0...7),B1(4...11),B2(8...11,0...3)  |                                |
| FACCH/H<br>& O-FACCH/H   | 0                  | U                | 0 ... 7                         | C0 ... Cn                        | NB <sup>1</sup> | 26                           | B0(0,2,4,6,8,10),B1(8,10,13,15,17,19),B2(17,19,21,23,0,2)                      |                                |
| FACCH/H<br>& O-FACCH/H   | 0                  | D                | 0 ... 7                         | C0 ... Cn                        | NB <sup>1</sup> | 26                           | B0(4,6,8,10,13,15),B1(13,15,17,19,21,23),B2(21,23,0,2,4,6)                     |                                |
| FACCH/H<br>& O-FACCH/H   | 1                  | U                | 0 ... 7                         | C0 ... Cn                        | NB <sup>1</sup> | 26                           | B0(1,3,5,7,9,11),B1(9,11,14,16,18,20),B2(18,20,22,24,1,3)                      |                                |
| FACCH/H<br>& O-FACCH/H   | 1                  | D                | 0 ... 7                         | C0 ... Cn                        | NB <sup>1</sup> | 26                           | B0(5,7,9,11,14,16),B1(14,16,18,20,22,24),B2(22,24,1,3,5,7)                     |                                |
| E-FACCH/F  |                    | D&U              | 0 ... 7                         | C0 ... Cn                        | NB <sup>1</sup> | 13                           | B0(0...3),B1(4...7),B2(8...11)   |                                |
| E-IACCH/F  |                    | D&U              | 0 ... 7                         | C0 ... Cn                        |                 | 26                           | B0(0 ... 3)B1(4 ... 7)B2(8 ... 11)B3(13 ... 16)<br>B4(17 ... 20)B5(21 ... 24)  |                                |
| SACCH/TF &<br>SACCH/TPF  |                    | D&U <sup>2</sup> | 0                               | C0 ... Cn                        | NB <sup>3</sup> | 104                          | B(12, 38, 64, 90)  | NOTE 1:                        |
| SACCH/TF &<br>SACCH/TPF  |                    | D&U <sup>2</sup> | 1                               | C0 ... Cn                        | NB <sup>3</sup> | 104                          | B(25, 51, 77, 103)   | An Access Burst (AB) is used   |
| SACCH/TF &<br>SACCH/TPF  |                    | D&U <sup>2</sup> | 2                               | C0 ... Cn                        | NB <sup>3</sup> | 104                          | B(38, 64, 90, 12)  | on the uplink during handover  |
| SACCH/TF &<br>SACCH/TPF  |                    | D&U <sup>2</sup> | 3                               | C0 ... Cn                        | NB <sup>3</sup> | 104                          | B(51, 77, 103, 25)   | and on channels used for voice |
| SACCH/TF &<br>SACCH/TPF  |                    | D&U <sup>2</sup> | 4                               | C0 ... Cn                        | NB <sup>3</sup> | 104                          | B(64, 90, 12, 38)  | group calls when a request to  |
| SACCH/TF &<br>SACCH/TPF  |                    | D&U <sup>2</sup> | 5                               | C0 ... Cn                        | NB <sup>3</sup> | 104                          | B(77, 103, 25, 51)   | talk is made.                  |
| SACCH/TF &<br>SACCH/TPF  |                    | D&U <sup>2</sup> | 6                               | C0 ... Cn                        | NB <sup>3</sup> | 104                          | B(90, 12, 38, 64)  |                                |
| SACCH/TF &<br>SACCH/TPF  |                    | D&U <sup>2</sup> | 7                               | C0 ... Cn                        | NB <sup>3</sup> | 104                          | B(103, 25, 51, 77)   |                                |
| SACCH/M &<br>SACCH/MP  |                    | D&U <sup>2</sup> | 0 ... 7                         | C0 ... Cn                        | NB <sup>3</sup> | 104                          | B(12, 38, 64, 90)  |                                |
| SACCH/CTS  |                    | D&U              | 0, 1                            | C0 ... Cn                        | NB              | 104                          | B(12, 38, 64, 90)  |                                |
| SACCH/CTS  |                    | D&U              | 2, 3                            | C0 ... Cn                        | NB              | 104                          | B(38, 64, 90, 12)  |                                |
| SACCH/CTS  |                    | D&U              | 4, 5                            | C0 ... Cn                        | NB              | 104                          | B(64, 90, 12, 38)  |                                |
| SACCH/CTS  |                    | D&U              | 6, 7                            | C0 ... Cn                        | NB              | 104                          | B(90, 12, 38, 64)  |                                |

|                      |   |                  |         |           |                 |     |                    |   |
|----------------------|---|------------------|---------|-----------|-----------------|-----|--------------------|---|
| SACCH/TH & SACCH/TPH | 0 | D&U <sup>2</sup> | 0       | C0 ... Cn | NB <sup>3</sup> | 104 | B(12, 38, 64, 90)  | NOTE 2:<br>The uplink of a channel used for voice broadcast or a voice group call may actually not be used. |
| SACCH/TH & SACCH/TPH | 1 | D&U <sup>2</sup> | 1       | C0 ... Cn | NB <sup>3</sup> | 104 | B(25, 51, 77, 103) |   |
| SACCH/TH & SACCH/TPH | 0 | D&U <sup>2</sup> | 2       | C0 ... Cn | NB <sup>3</sup> | 104 | B(12, 38, 64, 90)  |   |
| SACCH/TH & SACCH/TPH | 1 | D&U <sup>2</sup> | 2       | C0 ... Cn | NB <sup>3</sup> | 104 | B(25, 51, 77, 103) |   |
| SACCH/TH & SACCH/TPH | 0 | D&U <sup>2</sup> | 3       | C0 ... Cn | NB <sup>3</sup> | 104 | B(38, 64, 90, 12)  |   |
| SACCH/TH & SACCH/TPH | 1 | D&U <sup>2</sup> | 3       | C0 ... Cn | NB <sup>3</sup> | 104 | B(51, 77, 103, 25) |   |
| SACCH/TH & SACCH/TPH | 0 | D&U <sup>2</sup> | 4       | C0 ... Cn | NB <sup>3</sup> | 104 | B(38, 64, 90, 12)  |   |
| SACCH/TH & SACCH/TPH | 1 | D&U <sup>2</sup> | 4       | C0 ... Cn | NB <sup>3</sup> | 104 | B(51, 77, 103, 25) |   |
| SACCH/TH & SACCH/TPH | 0 | D&U <sup>2</sup> | 5       | C0 ... Cn | NB <sup>3</sup> | 104 | B(64, 90, 12, 38)  |   |
| SACCH/TH & SACCH/TPH | 1 | D&U <sup>2</sup> | 5       | C0 ... Cn | NB <sup>3</sup> | 104 | B(77, 103, 25, 51) |   |
| SACCH/TH & SACCH/TPH | 0 | D&U <sup>2</sup> | 6       | C0 ... Cn | NB <sup>3</sup> | 104 | B(64, 90, 12, 38)  |   |
| SACCH/TH & SACCH/TPH | 1 | D&U <sup>2</sup> | 6       | C0 ... Cn | NB <sup>3</sup> | 104 | B(77, 103, 25, 51) |   |
| SACCH/TH & SACCH/TPH | 0 | D&U <sup>2</sup> | 7       | C0 ... Cn | NB <sup>3</sup> | 104 | B(90, 12, 38, 64)  |   |
| SACCH/TH & SACCH/TPH | 1 | D&U <sup>2</sup> | 7       | C0 ... Cn | NB <sup>3</sup> | 104 | B(103, 25, 51, 77) |   |
| EPCCH/F              |   | D&U <sup>2</sup> | 0,2,4,6 | C0 ... Cn | NB <sup>3</sup> | 26  | B(12)              | NOTE 3:<br>An Access Burst (AB) may be used on the uplink during handover.                                  |
| EPCCH/F              |   | D&U <sup>2</sup> | 1,3,5,7 | C0 ... Cn | NB <sup>3</sup> | 26  | B(25)              |   |
| EPCCH/M              |   | D&U <sup>2</sup> | 0 ... 7 | C0 ... Cn | NB <sup>3</sup> | 26  | B(12)              |   |
| EPCCH/H              | 0 | D&U <sup>2</sup> | 0 ... 7 | C0 ... Cn | NB <sup>3</sup> | 26  | B(12)              |   |
|                      | 1 |                  |         |           |                 |     | B(25)              |   |



Clause 7 Table 2 of 9: Mapping of logical channels onto physical channels (see subclauses 6.3, 6.4, 6.5)

| Channel designation                       | Sub-channel number | Direction | Allowable timeslot assignments | Allowable RF channel assignments | Burst type      | Repeat length in TDMA frames | Interleaved block TDMA frame mapping  |
|---|--------------------|-----------|--------------------------------|----------------------------------|-----------------|------------------------------|---|
| TCH/F4.8<br>TCH/F9.6<br>TCH/F14.4         |                    | D&U       | 0 ... 7                        | C0 ... Cn                        | NB <sup>1</sup> | 26                           | B0(0 ... 11, 13 ... 22)<br>B1(4 ... 11, 13 ... 24, 0, 1)<br>B2(8 ... 11, 13 ... 24, 0 ... 5)<br>B3(13 ... 24, 0 ... 9)<br>B4(17 ... 24, 0 ... 11, 13, 14)<br>B5(21 ... 24, 0 ... 11, 13 ... 18)           |
| E-TCH/F28.8<br>E-TCH/F32.0<br>E-TCH/F43.2 |                    | D&U       | 0 ... 7                        | C0 ... Cn                        | NB (8PSK)       | 26                           | B0(0 ... 11, 13 ... 22)<br>B1(4 ... 11, 13 ... 24, 0, 1)<br>B2(8 ... 11, 13 ... 24, 0 ... 5)<br>B3(13 ... 24, 0 ... 9)<br>B4(17 ... 24, 0 ... 11, 13, 14)<br>B5(21 ... 24, 0 ... 11, 13 ... 18)           |
| TCH/H2.4<br>TCH/H4.8                      | 0                  | D&U       | 0 ... 7                        | C0 ... Cn                        | NB <sup>1</sup> | 26                           | B0(0,2,4,6,8,10,13,15,17,19,21,<br>23,0,2,4,6,8,10,13,15,17,19)<br>B1(8,10,13,15,17,19,21,23,0,2,4,<br>6,8,10,13,15,17,19,21,23,0,2),<br>B2(17,19,21,23,0,2,4,6,8,10,13,<br>15,17,19,21,23,0,2,4,6,8,10)  |
|   | 1                  |           |                                |                                  |                 |                              | B0(1,3,5,7,9,11,14,16,18,20,22,<br>24,1,3,5,7,9,11,14,16,18,20),<br>B1(9,11,14,16,18,20,22,24,1,3,5,<br>7,9,11,14,16,18,20,22,24,1,3),<br>B2(18,20,22,24,1,3,5,7,9,11,14,<br>16,18,20,22,24,1,3,5,7,9,11) |

NOTE 1: An Access Burst (AB) is used on the uplink during handover.

Clause 7 Table 3 of 9: Mapping of logical channels onto physical channels (see subclauses 6.3, 6.4, 6.5)

| Channel designation | Sub-channel number | Direction | Allowable timeslot assignments | Allowable RF channel assignments | Burst type      | Repeat length in TDMA frames | Interleaved block TDMA frame mapping  |
|---------------------|--------------------|-----------|--------------------------------|----------------------------------|-----------------|------------------------------|---|
| FCCH                |                    | D         | 0                              | C0                               | FB              | 51                           | B0(0),B1(10),B2(20),B3(30),B4(40)   |
| SCH                 |                    | D         | 0                              | C0                               | SB              | 51                           | B0(1),B1(11),B2(21),B3(31),B4(41)   |
| BCCH Norm           |                    | D         | 0,2,4,6                        | C0                               | NB              | 51                           | B(2..5)   |
| BCCH Ext            |                    | D         | 0,2,4,6                        | C0                               | NB              | 51                           | B(6..9)   |
| PCH<br>AGCH         |                    | D         | 0,2,4,6                        | C0                               | NB              | 51                           | B0(6..9),B1(12..15),B2(16..19)<br>B3(22..25),B4(26..29),B5(32..35),<br>B6(36..39),B7(42..45),B8(46..49) |
| NCH                 |                    | D         | 0                              | C0                               | NB              | 51                           | B0(6..9),B1(12..15),B2(16..19)<br>B3(22..25),B4(26..29),B5(32..35),<br>B6(36..39)                       |
| RACH                |                    | U         | 0,2,4,6                        | C0                               | AB              | 51                           | B0(0),B1(1)..B50(50)  |
| CBCH(SDCCH/4)       |                    | D         | 0                              | C0                               | NB              | 51                           | B(32..35)   |
| CBCH(SDCCH/8)       |                    | D         | 0 ... 3                        | C0 ... Cn                        | NB              | 51                           | B(8..11)  |
| SDCCH/4             | 0                  | D         | 0                              | C0                               | NB <sup>1</sup> | 51                           | B(22..25)   |
|                     | 1                  | U         |                                |                                  |                 |                              | B(37..40)   |
|                     | 2                  | D         |                                |                                  |                 |                              | B(26..29)   |
|                     | 3                  | U         |                                |                                  |                 |                              | B(41..44)   |
|                     |                    | D         |                                |                                  |                 |                              | B(32..35)   |
|                     |                    | U         |                                |                                  |                 |                              | B(47..50)   |
|                     |                    | D         |                                |                                  |                 |                              | B(36..39)   |
|                     |                    | U         |                                |                                  |                 |                              | B(0..3)   |
| SACCH/C4            | 0                  | D         | 0                              | C0                               | NB <sup>3</sup> | 102                          | B(42..45)   |
|                     | 1                  | U         |                                |                                  |                 |                              | B(57..60)   |
|                     | 2                  | D         |                                |                                  |                 |                              | B(46..49)   |
|                     | 3                  | U         |                                |                                  |                 |                              | B(61..64)   |
|                     |                    | D         |                                |                                  |                 |                              | B(93..96)   |
|                     |                    | U         |                                |                                  |                 |                              | B(6..9)   |
|                     |                    | D         |                                |                                  |                 |                              | B(97..100)  |
|                     |                    | U         |                                |                                  |                 |                              | B(10..13)   |

NOTE 1: An Access Burst (AB) is used on the uplink during handover.

NOTE 3: An Access Burst (AB) may be used on the uplink during handover.

Clause 7 Table 4 of 9: Mapping of logical channels onto physical channels (see subclauses 6.3, 6.4, 6.5)

| Channel designation | Sub-channel number | Direction     | Allowable timeslot assignments | Allowable RF channel assignments | Burst type      | Repeat length in TDMA frames | Interleaved block TDMA frame mapping |
|---------------------|--------------------|---------------|--------------------------------|----------------------------------|-----------------|------------------------------|--------------------------------------|
| SDCCH/8             | 0                  | D             | 0 ... 7                        | C0 ... Cn                        | NB <sup>1</sup> | 51                           | B (0 ... 3)                          |
|                     |                    | U             |                                |                                  |                 |                              | B (15 ... 18)                        |
|                     | 1                  | D             |                                |                                  |                 |                              | B (4 ... 7)                          |
|                     |                    | U             |                                |                                  |                 |                              | B (19 ... 22)                        |
|                     | 2                  | D             |                                |                                  |                 |                              | B (8 ... 11)                         |
|                     |                    | U             |                                |                                  |                 |                              | B (23 ... 26)                        |
|                     | 3                  | D             |                                |                                  |                 |                              | B (12 ... 15)                        |
|                     |                    | U             |                                |                                  |                 |                              | B (27 ... 30)                        |
|                     | 4                  | D             |                                |                                  |                 |                              | B (16 ... 19)                        |
|                     |                    | U             |                                |                                  |                 |                              | B (31 ... 34)                        |
|                     | 5                  | D             |                                |                                  |                 |                              | B (20 ... 23)                        |
|                     |                    | U             |                                |                                  |                 |                              | B (35 ... 38)                        |
|                     | 6                  | D             |                                |                                  |                 |                              | B (24 ... 27)                        |
|                     |                    | U             |                                |                                  |                 |                              | B (39 ... 42)                        |
| 7                   | D                  | B (28 ... 31) |                                |                                  |                 |                              |                                      |
|                     | U                  | B (43 ... 46) |                                |                                  |                 |                              |                                      |
| SACCH/C8            | 0                  | D             | 0 ... 7                        | C0 ... Cn                        | NB <sup>3</sup> | 102                          | B (32 ... 35)                        |
|                     |                    | U             |                                |                                  |                 |                              | B (47 ... 50)                        |
|                     | 1                  | D             |                                |                                  |                 |                              | B (36 ... 39)                        |
|                     |                    | U             |                                |                                  |                 |                              | B (51 ... 54)                        |
|                     | 2                  | D             |                                |                                  |                 |                              | B (40 ... 43)                        |
|                     |                    | U             |                                |                                  |                 |                              | B (55 ... 58)                        |
|                     | 3                  | D             |                                |                                  |                 |                              | B (44 ... 47)                        |
|                     |                    | U             |                                |                                  |                 |                              | B (59 ... 62)                        |
|                     | 4                  | D             |                                |                                  |                 |                              | B (83 ... 86)                        |
|                     |                    | U             |                                |                                  |                 |                              | B (98 ... 101)                       |
|                     | 5                  | D             |                                |                                  |                 |                              | B (87 ... 90)                        |
|                     |                    | U             |                                |                                  |                 |                              | B (0 ... 3)                          |
|                     | 6                  | D             |                                |                                  |                 |                              | B (91 ... 94)                        |
|                     |                    | U             |                                |                                  |                 |                              | B (4 ... 7)                          |
| 7                   | D                  | B (95 ... 98) |                                |                                  |                 |                              |                                      |
|                     | U                  | B (8 ... 11)  |                                |                                  |                 |                              |                                      |

NOTE 1: An Access Burst (AB) is used on the uplink during handover.

NOTE 3: An Access Burst (AB) may be used on the uplink during handover.

Clause 7 Table 5 of 9: Mapping of logical channels onto physical channels (see subclauses 6.3, 6.4, 6.5)

BS\_CCCH\_SDCCH\_COMB

| BS_CCCH_SDCCH_COMB | Random access channel blocks available | Access grant blocks available (NOTE: Some access grant blocks may also be used for the NCH) | BS_AG_BLK_RES                                       |   | Paging channel blocks available<br>(Paging block index = 0, 1, 2, 3, 4, 5, 6, 7, 8) |
|--------------------|--|---|---|---|---|
|                    |  |   | Number of paging blocks available per 51-multiframe |   |   |
| False              | B0, B1 ... B50                         | B0, B1 ... B8   | 0   | 9 | B0, B1, B2, B3, B4, B5, B6, B7, B8  |
| False              |  |   | 1   | 8 | B1, B2, B3, B4, B5, B6, B7, B8  |
| False              |  |   | 2   | 7 | B2, B3, B4, B5, B6, B7, B8  |
| False              |  |   | 3   | 6 | B3, B4, B5, B6, B7, B8  |
| False              |  |   | 4   | 5 | B4, B5, B6, B7, B8  |
| False              |  |   | 5   | 4 | B5, B6, B7, B8  |
| False              |  |   | 6   | 3 | B6, B7, B8  |
| False              |  |   | 7   | 2 | B7, B8  |
| True               | B4, B5, B14, B15 ... B36, B45, B46     | B0, B1, B2  | 0   | 3 | B0, B1, B2  |
| True               |  |   | 1   | 2 | B1, B2  |
| True               |  |   | 2   | 1 | B2  |

Clause 7 Table 6 of 9: Mapping of logical channels onto physical channels (see subclauses 6.3, 6.4, 6.5) -

| Channel designation | Sub-channel number   | Direction | Allowable time-slot assignment | Allowable RF channel assignment | Burst type | Repeat length in TDMA frames | Interleaved block TDMA frame mapping   |
|---------------------|--|-----------|--------------------------------|---------------------------------|------------|------------------------------|--|
| PDTCH/F, PACCH/F    |  | D&U       | 0...7                          | C0...Cn                         | NB1        | 52                           | B0(0...3), B1(4...7), B2(8...11), B3(13...16), B4(17...20), B5(21...24), B6(26...29), B7(30...33), B8(34...37), B9(39...42), B10(43...46), B11(47...50)                  |
| PDTCH/H, PACCH/H    | 0  | D&U       | 0...7                          | C0... Cn                        | NB1        | 52                           | B0(0,2,4,6), B1(8,10,13,15), B2(17,19,21,23), B3(26,28,30,32), B4(34,36,39,41), B5(43,45,47,49)  |
|                     | 1  | D&U       | 0...7                          | C0...Cn                         | NB1        | 52                           | B0(1,3,5,7), B1(9,11,14,16), B2(18,20,22,24), B3(27,29,31,33), B4(35,37,40,42), B5(44,46,48,50)  |
| PBCCH               |  | D         | 0...7                          | C0...Cn                         | NB         | 52                           | B0(0... 3), B3(13...16), B6(26...29), B9(39...42)  |
| PRACH               |  | U         | 0...7                          | C0...Cn                         | AB         | 52                           | B0(0)...B11(11), B12(13)...B23(24), B24(26)... B35(37), B36(39)...B47(50)  |
| PPCH, PNCH          |  | D         | 0...7                          | C0...Cn                         | NB         | 52                           | B1(4 ... 7), B2(8...11), B3(13...16), B4(17...20), B5(21...24), B6(26...29), B7(30...33), B8(34...37), B9(39...42), B10(43...46), B11(47...50)                           |
| PAGCH               |  | D         | 0...7                          | C0...Cn                         | NB         | 52                           | B0(0...3), B1(4 ... 7), B2(8...11), B3(13...16), B4(17...20), B5(21...24), B6(26...29), B7(30...33), B8(34...37), B9(39...42), B10(43...46), B11(47...50)                |
| PTCCH/D             |  | D         | 0...7                          | C0...Cn                         | NB         | 416                          | B0(12,38,64,90), B1(116,142,168,194), B2(220,246,272,298), B3(324,350,376,402)   |
| PTCCH/U             | 0<br>1<br>2<br>3<br>4<br>5<br>6<br>7<br>8<br>9<br>10<br>11<br>12<br>13<br>14<br>15 | U         | 0...7                          | C0...Cn                         | AB         | 416                          | B0(12)<br>B0(38)<br>B0(64)<br>B0(90)<br>B0(116)<br>B0(142)<br>B0(168)<br>B0(194)<br>B0(220)<br>B0(246)<br>B0(272)<br>B0(298)<br>B0(324)<br>B0(350)<br>B0(376)<br>B0(402) |

NOTE 1: An Access Burst (AB) may be used on the uplink as polling response.

**Clause 7 Table 7 of 9: Mapping of logical channels onto physical channels (see subclauses 6.3, 6.4, 6.5)****Non-COMPACT :**

| BS_PAG_BLK_RES + BS_PBCCH_BLK |  |  |
|-------------------------------|--|--|
|                               | Number of paging blocks available per 52-multiframe  |  |
|                               | Paging channel blocks available for 52-multiframe<br>(Paging block index = 0, 1, 2, 3, 4, 5, 6, 7, 8, 9, 10) |  |
| 1                             | 11   | B1, B2, B3, B4, B5, B6, B7, B8, B9, B10, B11 |
| 2                             | 10   | B1, B2, B3, B4, B5, B7, B8, B9, B10, B11     |
| 3                             | 9  | B1, B2, B4, B5, B7, B8, B9, B10, B11         |
| 4                             | 8  | B1, B2, B4, B5, B7, B8, B10, B11             |
| 5                             | 7  | B2, B4, B5, B7, B8, B10, B11                 |
| 6                             | 6  | B2, B4, B5, B8, B10, B11                     |
| 7                             | 5  | B2, B5, B8, B10, B11                         |
| 8                             | 4  | B2, B5, B8, B11                              |
| 9                             | 3  | B5, B8, B11                                  |
| 10                            | 2  | B5, B11                                      |
| 11                            | 1  | B11  |

Clause 7 Table 7a of 9: Mapping of logical channels onto physical channels (see subclauses 6.3, 6.4, 6.5)

**COMPACT :**

|                 | BS_PBCCH_BLKs = 1  | BS_PBCCH_BLKs = 2  |
|-----------------|--|--|
| BS_PAG_BLKs_RES | Paging channel blocks available for 52-multiframe<br>(Paging block index = 0, 1, 2, 3, 4, 5, 6, 7, 8, 9, 10) | Paging channel blocks available for 52-multiframe<br>(Paging block index = 0, 1, 2, 3, 4, 5, 6, 7, 8, 9, 10) |
| 0               | B1, B2, B3, B4, B5, B6, B7, B8, B9, B10, B11   | B1, B2, B3, B4, B5, B7, B8, B9, B10, B11   |
| 1               | B1, B2, B3, B4, B5, B6, B7, B8, B9, B10  | B1, B2, B3, B4, B5, B7, B8, B9, B10  |
| 2               | B1, B2, B3, B4, B6, B7, B8, B9, B10  | B1, B2, B3, B4, B7, B8, B9, B10  |
| 3               | B1, B2, B3, B4, B6, B7, B9, B10  | B1, B2, B3, B4, B7, B9, B10  |
| 4               | B1, B3, B4, B6, B7, B9, B10  | B1, B3, B4, B7, B9, B10  |
| 5               | B1, B3, B4, B6, B7, B9   | B1, B3, B4, B7, B9   |
| 6               | B1, B3, B6, B7, B9   | B1, B3, B7, B9   |
| 7               | B1, B3, B6, B9   | B1, B3, B9   |
| 8               | B3, B6, B9   | B3, B9   |

|                 | BS_PBCCH_BLKs = 3  | BS_PBCCH_BLKs = 4  |
|-----------------|--|--|
| BS_PAG_BLKs_RES | Paging channel blocks available for 52-multiframe<br>(Paging block index = 0, 1, 2, 3, 4, 5, 6, 7, 8, 9, 10) | Paging channel blocks available for 52-multiframe<br>(Paging block index = 0, 1, 2, 3, 4, 5, 6, 7, 8, 9, 10) |
| 0               | B1, B2, B4, B5, B7, B8, B9, B10, B11   | B1, B2, B4, B5, B7, B8, B10, B11   |
| 1               | B1, B2, B4, B5, B7, B8, B9, B10  | B1, B2, B4, B5, B7, B8, B10  |
| 2               | B1, B2, B4, B7, B8, B9, B10  | B1, B2, B4, B7, B8, B10  |
| 3               | B1, B2, B4, B7, B9, B10  | B1, B2, B4, B7, B10  |
| 4               | B1, B4, B7, B9, B10  | B1, B4, B7, B10  |
| 5               | B1, B4, B7, B9   | B1, B4, B7   |
| 6               | B1, B7, B9   | B1, B7   |
| 7               | B1, B9   | -  |
| 8               | -  | -  |

NOTE: In COMPACT, BS\_PAG\_BLKs\_RES shall be less than or equal to 8 and less than or equal to 10 BS\_PBCCH\_BLKs.

**Clause 7 Table 8 of 9: Mapping of logical channels onto physical channels (see subclauses 6.3, 6.4, 6.5)**

| Channel designation | Sub-channel number | Direction | Allowable time-slot assignment | Allowable RF channel assignment | Burst type | Repeat length in TDMA frames | Interleaved block TDMA frame mapping |
|---------------------|--------------------|-----------|--------------------------------|---------------------------------|------------|------------------------------|--------------------------------------|
| CTSBCH-FB           |                    | D         | 0...7                          | C0                              | FB         | 52                           | B(25)                                |
| CTSBCH-SB           |                    | D         | 0...7                          | C0                              | SB         | 52                           | B(51)                                |
| CTSPCH              |                    | D         | 0...7                          | C0...Cn                         | NB         | 52                           | B(2...5)                             |
| CTSARCH             |                    | U         | 0...7                          | C0<br>C0...Cn                   | SB         | 52                           | B0(2)...B7(9)<br>B8(10)...B13(15)    |
| CTSAGCH             |                    | D         | 0...7                          | C0<br>C0...Cn                   | NB         | 52                           | B0(16..19)<br>B1(20..23)             |

NOTE 1: In CTS, C0 shall be interpreted as CTSBCH RF channel and C0...Cn as the RF channels of the TFH carrier list (refer to 3GPP TS 45.056).

NOTE 2: For the precise specification of the timeslot assignment, refer to subclause 6.3.3.1 and 6.3.3.2.

**Clause 7 Table 9 of 9: Mapping of COMPACT logical channels onto physical channels (see subclauses 6.3, 6.4, and 6.5)**

| Channel Designation        | Sub-Channel Number | Direction | Allowable Timeslot Alignment | Allowable RF Channel Assignment | Burst Type | Repeat Length in TDMA Frames | Interleaved Block TDMA Frame Mapping  |
|----------------------------|--------------------|-----------|------------------------------|---------------------------------|------------|------------------------------|---|
| CFCCH                      |                    | D         | 1, 3, 5, 7                   | C0 ... Cn                       | FB         | 52                           | B0 (25)   |
| CSCH                       |                    | D         | 1, 3, 5, 7                   | C0 ... Cn                       | SB         | 52                           | B0 (51)   |
| CPBCCH                     |                    | D         | 1, 3, 5, 7                   | C0 ... Cn                       | NB         | 52                           | B0 (0 ... 3), B6 (26 ... 29), B3 (13 ... 16), B9 (39 ... 42)  |
| CPRACH                     |                    | U         | 1, 3, 5, 7                   | C0 ... Cn                       | AB         | 52                           | B0 (0) ... B11 (11), B12 (13) ... B23 (24), B24 (26) ... B35 (37), B36 (39) ... B47 (50)  |
| CPAGCH,<br>CPPCH,<br>CPNCH |                    | D         | 1, 3, 5, 7                   | C0 ... Cn                       | NB         | 52                           | B1 (4 ... 7), B2 (8 ... 11), B3 (13 ... 16), B4 (17 ... 20), B5 (21 ... 24), B6 (26 ... 29), B7 (30 ... 33), B8 (34 ... 37), B9 (39 ... 42), B10 (43 ... 46), B11 (47 ... 50) |



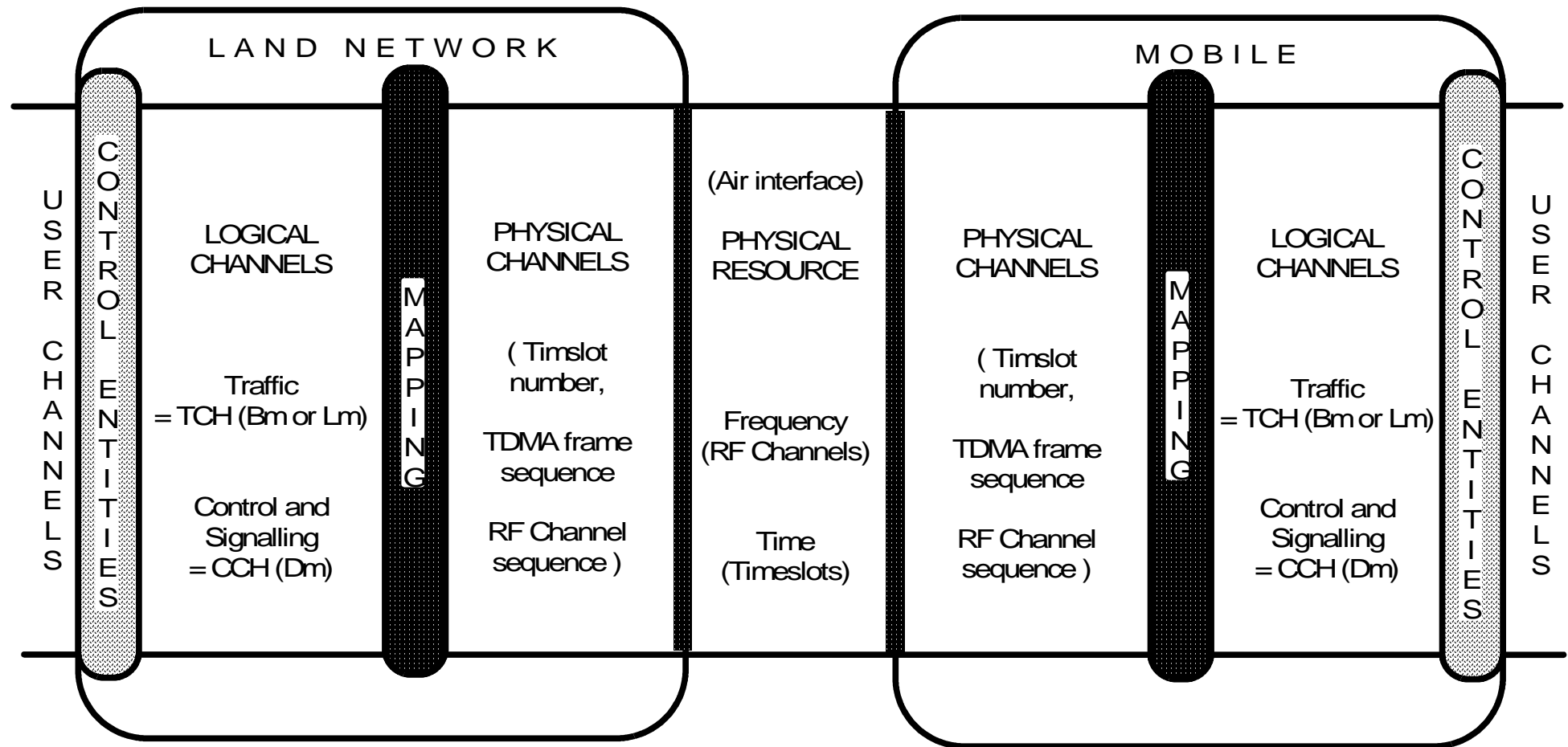


Figure 1: Mapping of logical channels onto physical channels based on the physical resource

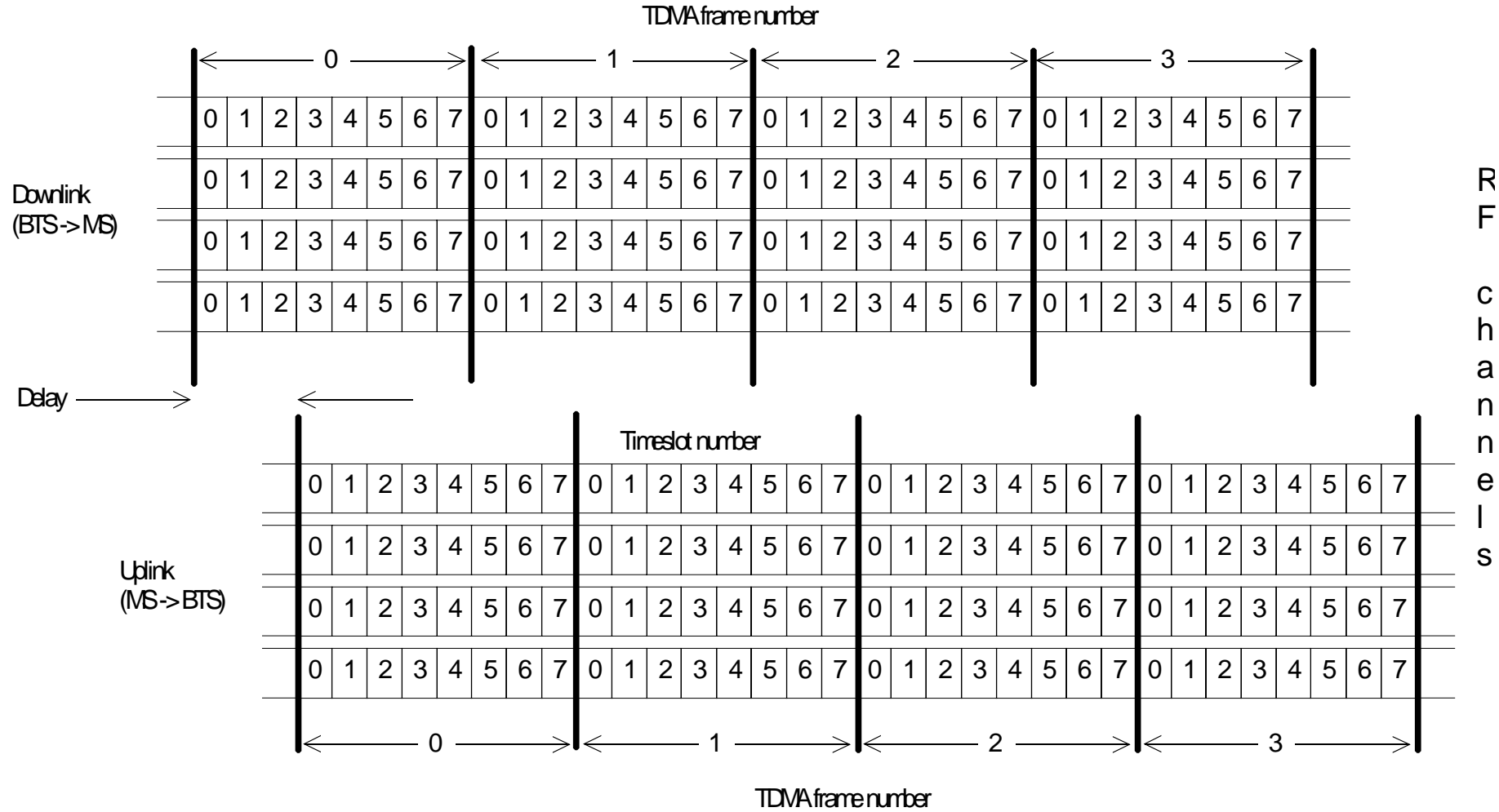


Figure 2: The structure imposed on the physical resource: Timeslots, TDMA Frames and Radio Frequency channels (in this example the cell has an allocation of 4 RF Channels pairs)

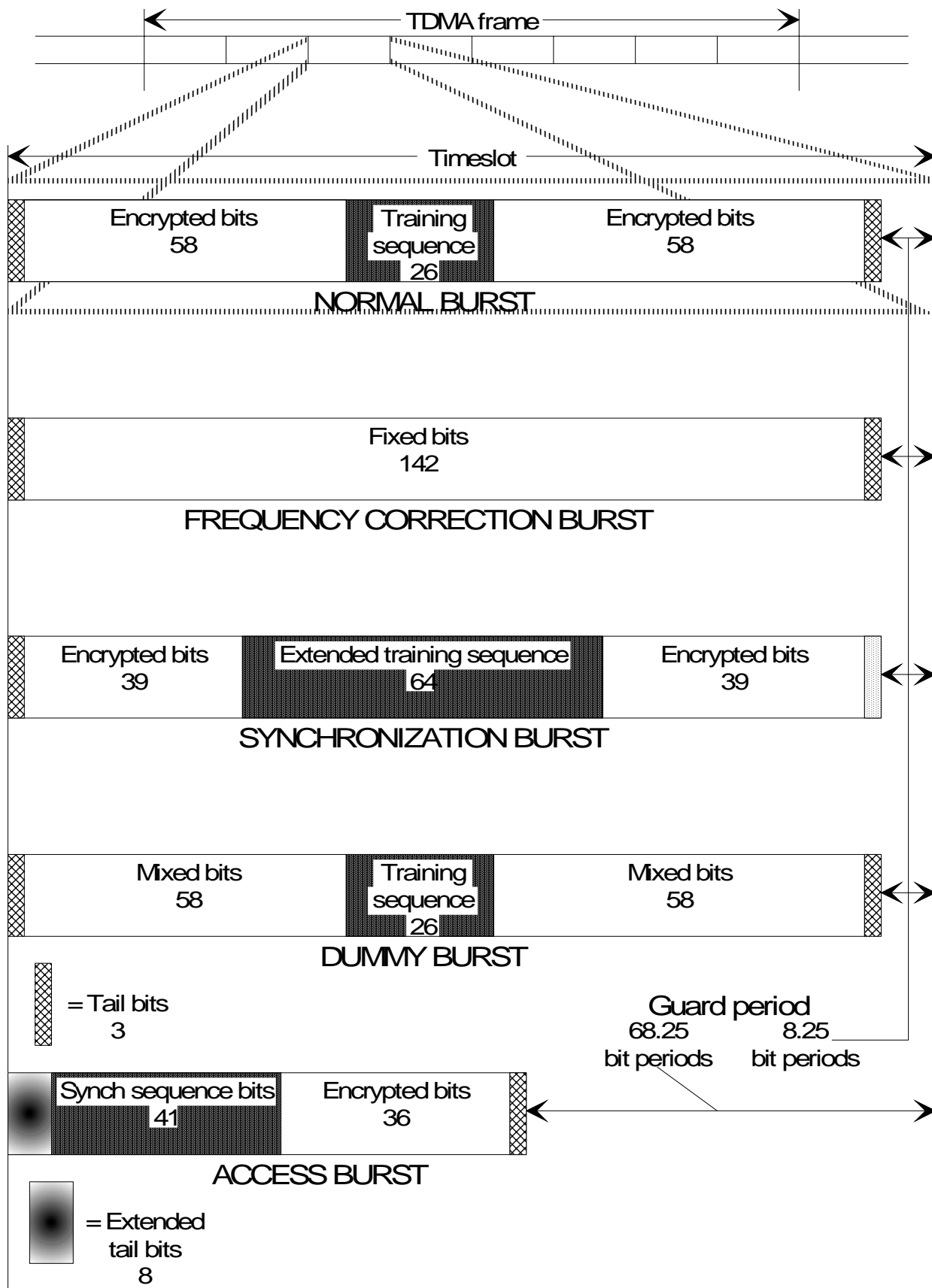
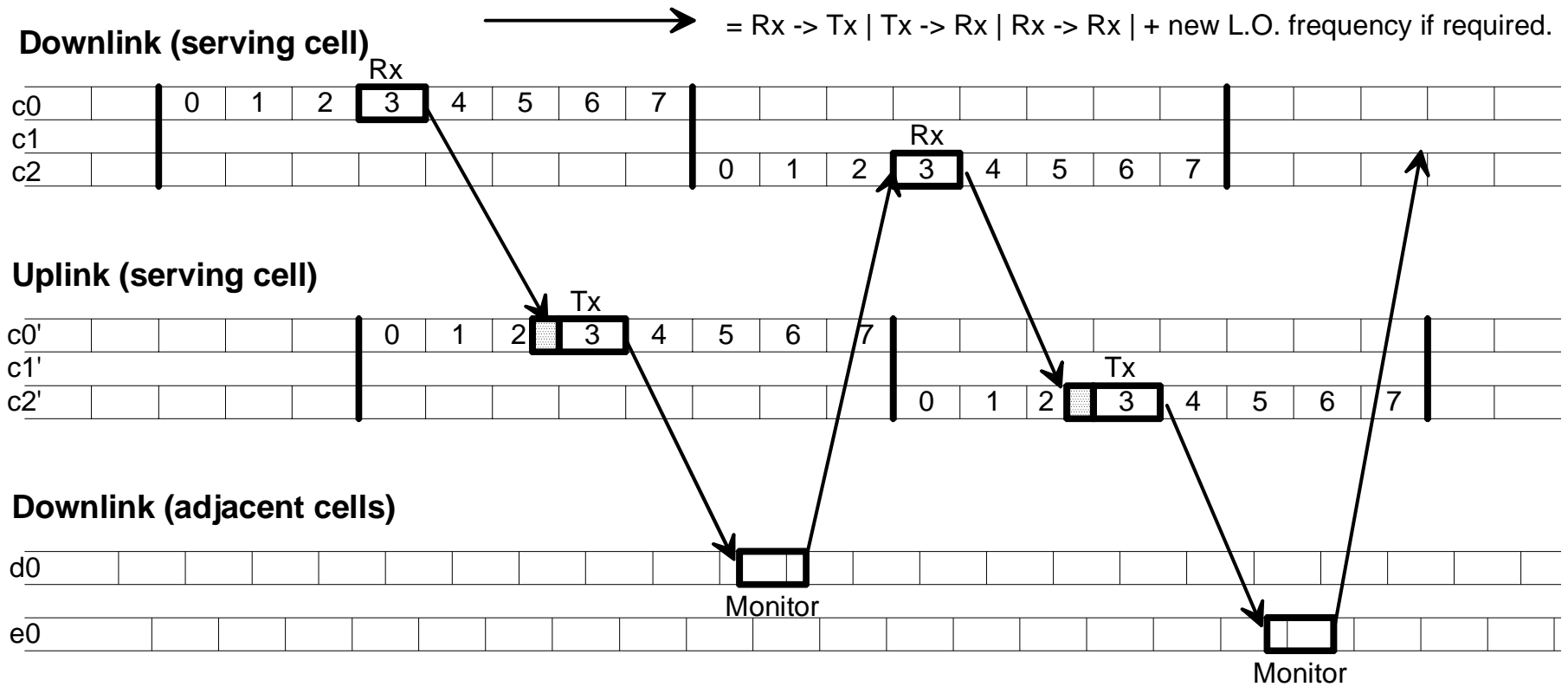
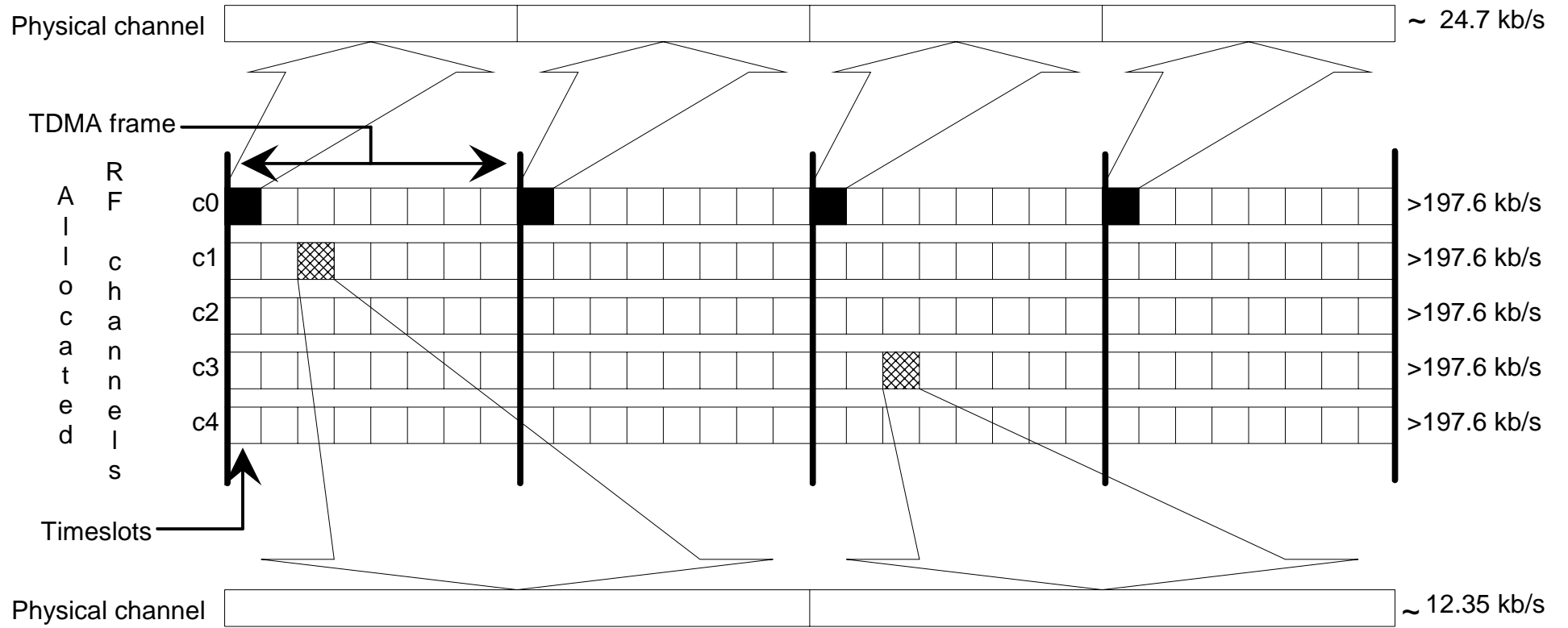


Figure 3: Timeslot and format of bursts



(This example of a physical channel is non-hopping using timeslot 0 of every TDMA frame)

**Figure 4: Mobile Station usage of physical channel timeslots (For a full-rate hopping traffic channel assigned timeslot 3)**



(This example of a physical channel is hopping using 3 of every other TDMA frame)

**Figure 5: Example of two different physical channels**

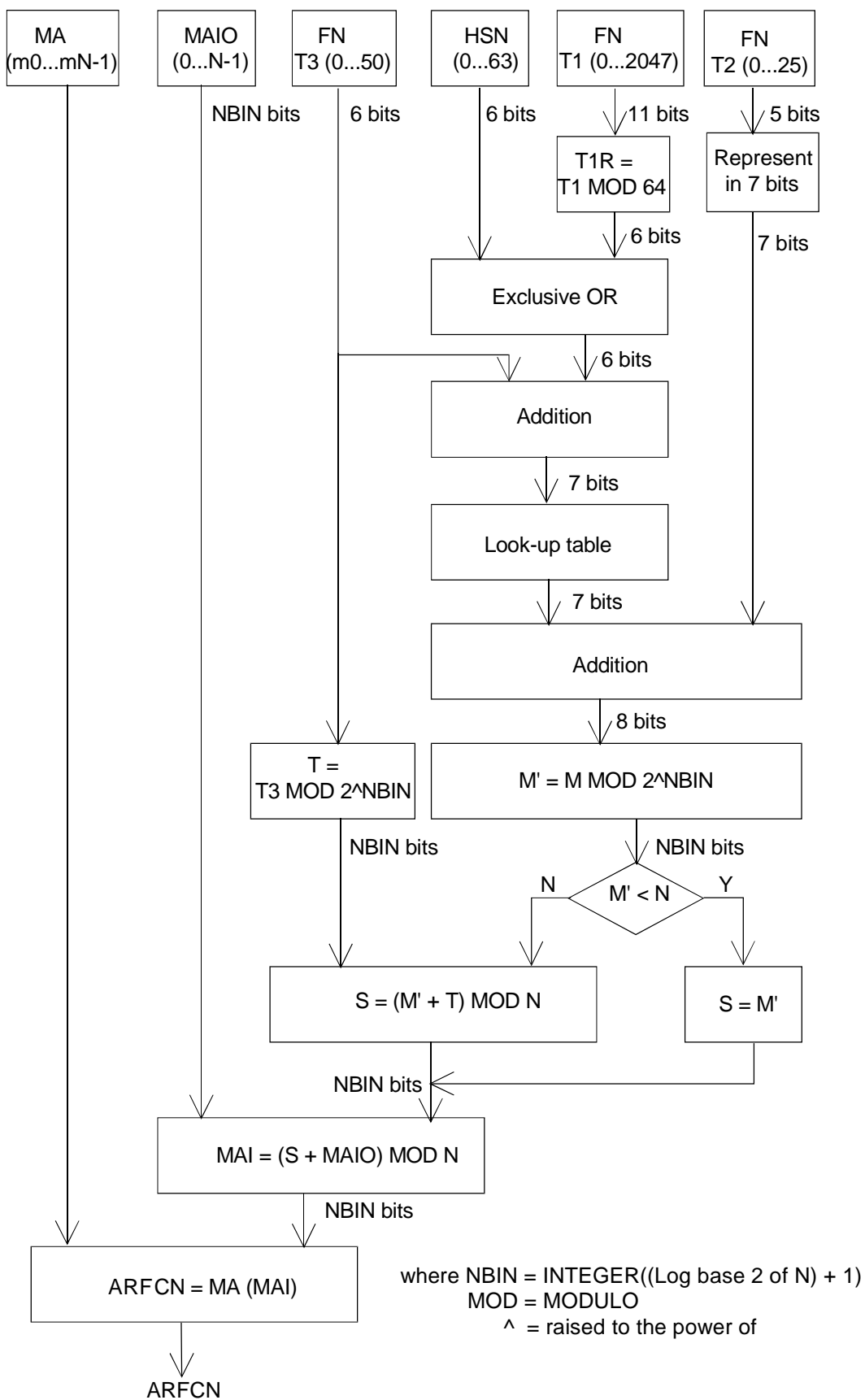


Figure 6: Block diagram of the frequency hopping algorithm when  $HSN \neq 0$

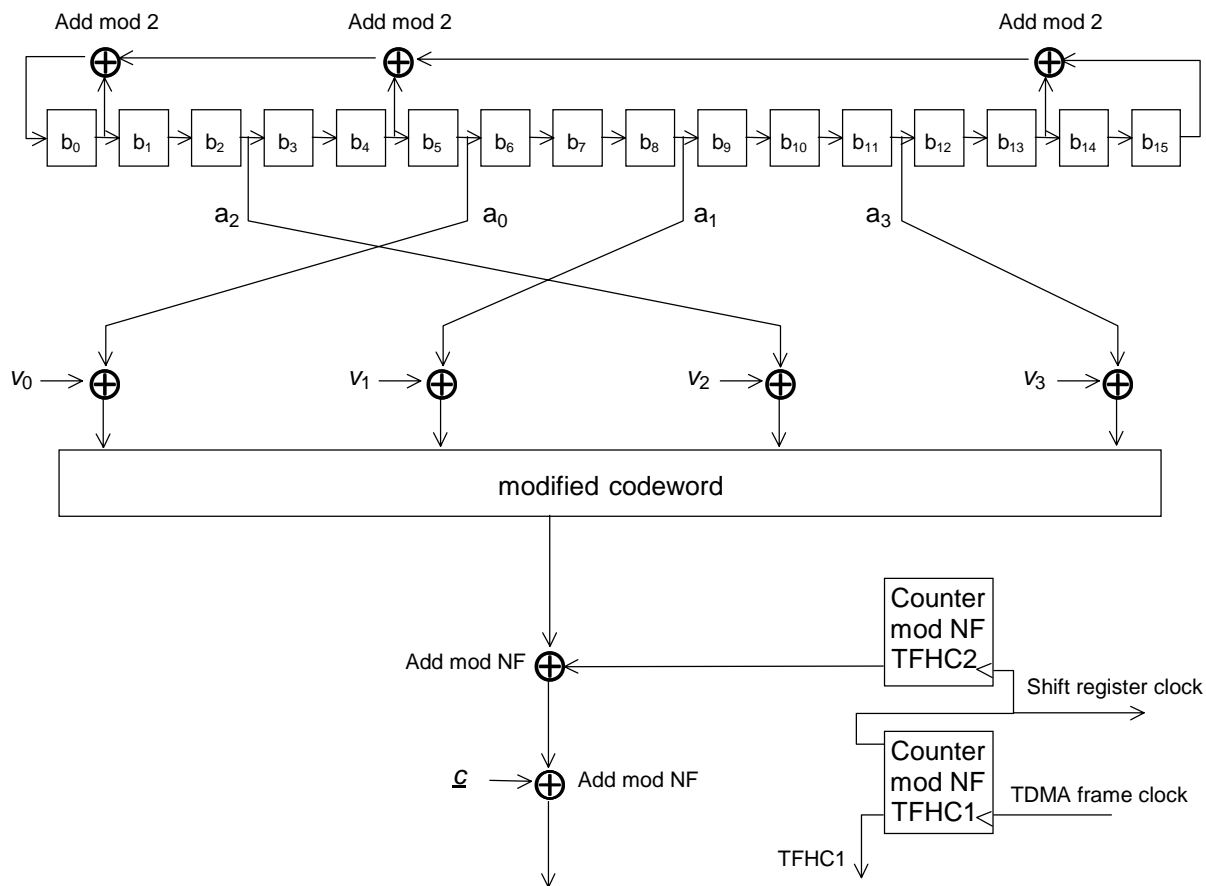


Figure 6a: General structure of hopping sequence generation for CTS

NOTE: Example with vector  $\underline{a} = (a_0, a_1, a_2, a_3) = (5, 8, 2, 11)$ .

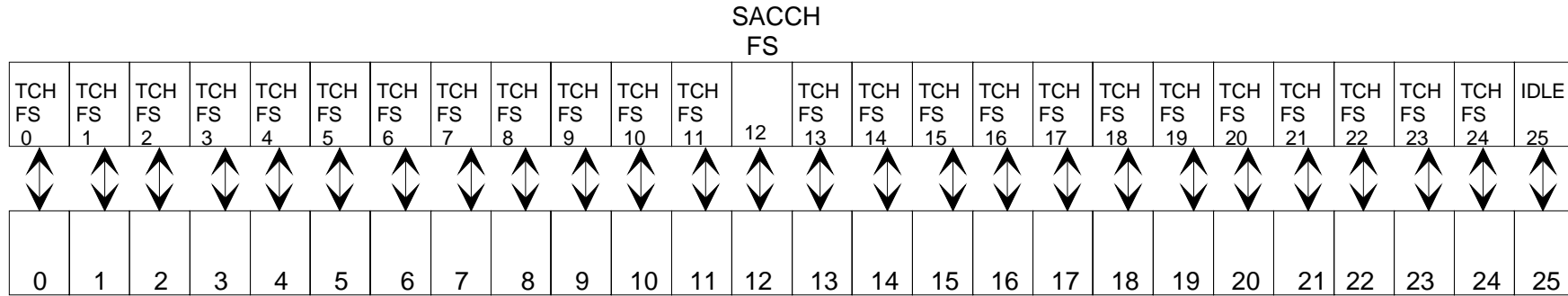


Figure 7a: TDMA frame mapping for TCH/FS + SACCH/FS

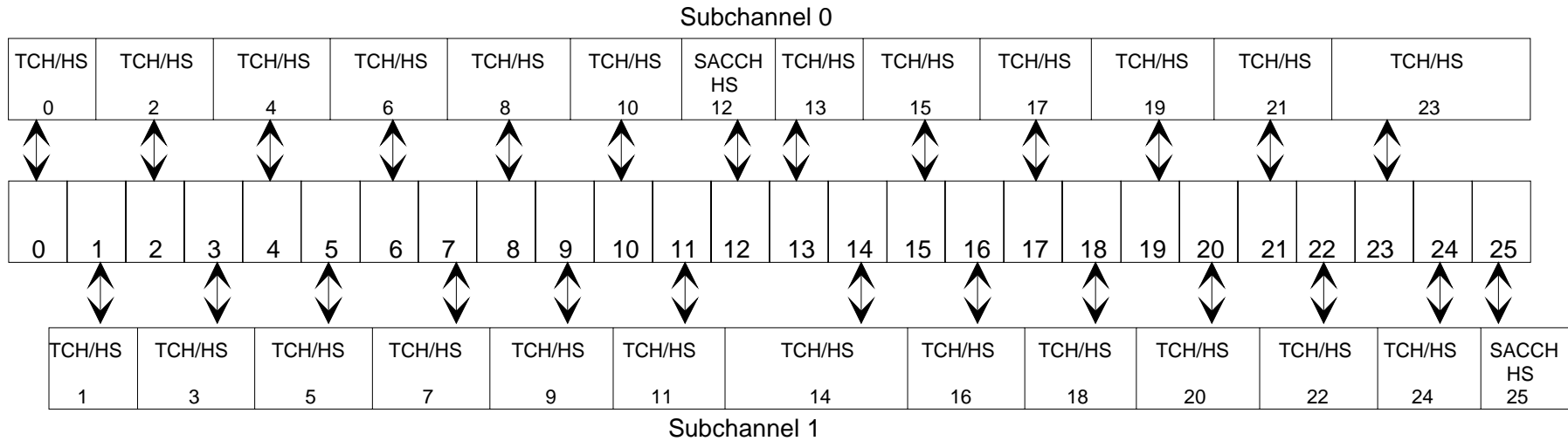


Figure 7b: TDMA frame mapping for TCH/HS + SACCH/HS sub-channels 0 and 1

Figure 7: Example of a TDMA frame mapping for traffic channels







## Annex A (normative): Phase 2 mobiles in a Phase 1 infrastructure

### A.1 Scope

Phase 2 mobiles are required to behave properly in a Phase 1 networks, when downlink DTX is used in conjunction with frequency hopping.

### A.2 Implementation options for TCH channels

#### A.2.1 C0 filling on the TCH

When the TCH is active, and no associated traffic frame is scheduled for transmission, the following options apply for filling the burst on the C0 radio frequency channel.

A.2.1.1 A dummy burst with (BN61, BN62, BN86) = training sequence bits of normal bursts

A.2.1.2 A dummy burst with the "C0 filling training sequence

(BN61, BN62, BN86) = (0,1,1,1,0,0,0,1,0,1,1,1,0,0,0,1,0,1,1,1,0,0,0,1,0,1).

A.2.1.3 A dummy burst with ( BN61, BN62, BN86) mapped from the TSC bits of normal bursts according to the table

| TSC for other bursts on TCH | Dummy bursts (BN61, BN62 BN86)                        | Corresponding TSC |
|-----------------------------|---|-------------------|
| 0                           | (0,1,0,0,0,0,1,1,1,0,1,1,1,0,1,0,0,1,0,0,0,0,1,1,1,0) | 2                 |
| 1                           | (0,1,0,0,1,1,1,0,1,0,1,1,0,0,0,0,0,1,0,0,1,1,1,0,1,0) | 5                 |
| 2                           | (0,0,1,0,0,1,0,1,1,1,0,0,0,0,1,0,0,0,1,0,0,1,0,1,1,1) | 0                 |
| 3                           | (0,0,0,1,1,0,1,0,1,1,1,0,0,1,0,0,0,0,0,1,1,0,1,0,1,1) | 4                 |
| 4                           | (0,1,0,0,1,1,1,0,1,0,1,1,0,0,0,0,0,1,0,0,1,1,1,0,1,0) | 5                 |
| 5                           | (0,1,0,0,0,0,1,1,1,0,1,1,1,0,1,0,0,1,0,0,0,0,1,1,1,0) | 2                 |
| 6                           | (0,1,0,0,0,1,1,1,1,0,1,1,0,1,0,0,0,1,0,0,0,1,1,1,1,0) | 3                 |
| 7                           | (0,1,0,0,1,1,1,0,1,0,1,1,0,0,0,0,0,1,0,0,1,1,1,0,1,0) | 5                 |

#### A.2.1.4 Partial SID information

The BTS transmits bursts containing parts of the SID frames provided by the speech encoder. The bits transmitted in such bursts on C0 carrier contain the same bits that would have been transmitted in those bursts in those if the associated traffic frames were scheduled for transmission.

#### A.2.2 Half burst filling

For downlink DTX, when a given traffic frame is scheduled for transmission and one of its adjacent traffic frames is not scheduled for transmission, half of the "encrypted bits" belonging to the normal bursts associated with the scheduled traffic frame need to be filled. These bits are referred to as "half burst filling bits". These half bursts filling bits contain either.

A.2.2.1 Partial SID information from any associated SID frame; or

A.2.2.2 The mixed bits of the dummy bursts (encrypted or not encrypted)

### A.2.3 Dummy burst Stealing flag

The dummy burst stealing flag are set to either 1 or 0.

### A.2.4 Half burst Filling Stealing flag

BN60 or BN87 corresponding to the "encrypted bits" of a filled half burst, defined as the "half burst filling stealing flag", are jointly set to a value of either 1 or 0.

### A.2.5 Allowed combinations

Table A.2.5.1 below provides the allowed combinations for phase 1 networks supporting downlink DTX in conjunction with frequency hopping.

**Table A.2.5.1: Possible combinations for networks supporting downlink DT in conjunction with frequency hopping**

| Combination            | C0 filling on the TCH   | Half Burst filling                | Dummy Bursts Stealing Flag | Half Burst Filling Stealing Flag |
|------------------------|---|-----------------------------------|----------------------------|----------------------------------|
| 1                      | Dummy bursts with (BN61-BN86) equal to the bits of the TSC of the other normal bursts (A 2.1.1) | not defined                       | 0                          | 0                                |
| 2                      | Dummy burst with "C0 filling training sequence" (A 2.1.2)                                       | Partial SID information (A 2.2.1) | 0                          | 0                                |
| 3                      | Dummy burst with (BN61, BN62....BN86) mapped from the TSC bits of normal bursts (A 2.1.3)       | Partial SID information (A 2.2.1) | 0                          | 0                                |
| 4                      | Partial SID information (A 2.1.4)   | Partial SID information (A 2.2.1) | 1                          | 1                                |
| 5                      | Dummy burst with "C0 filling training sequence" (A 2.1.2)                                       | Dummy burst mixed bits (A 2.2.2)  | 1                          | 1                                |
| 6 (for DCS 1 800 only) | Partial SID information (A 2.1.4)   | Partial SID information (A 2.2.1) | 0                          | 0                                |

## A.3 Idle Channels

When a channel is idle, a dummy burst may be transmitted on C0 frequency channel with any options described in subclauses A 2.1.1, A 2.1.2, A 2.1.3.

## Annex B (normative): Multislot capability

### B.1 MS classes for multislot capability

When an MS supports the use of multiple timeslots it shall belong to a multislot class as defined below:

Table B.1

| Multislot class | Maximum number of slots |    |     | Minimum number of slots |                 |                 |                 | Type |
|-----------------|-------------------------|----|-----|-------------------------|-----------------|-----------------|-----------------|------|
|                 | Rx                      | Tx | Sum | T <sub>ta</sub>         | T <sub>tb</sub> | T <sub>ra</sub> | T <sub>rb</sub> |      |
| 1               | 1                       | 1  | 2   | 3                       | 2               | 4               | 2               | 1    |
| 2               | 2                       | 1  | 3   | 3                       | 2               | 3               | 1               | 1    |
| 3               | 2                       | 2  | 3   | 3                       | 2               | 3               | 1               | 1    |
| 4               | 3                       | 1  | 4   | 3                       | 1               | 3               | 1               | 1    |
| 5               | 2                       | 2  | 4   | 3                       | 1               | 3               | 1               | 1    |
| 6               | 3                       | 2  | 4   | 3                       | 1               | 3               | 1               | 1    |
| 7               | 3                       | 3  | 4   | 3                       | 1               | 3               | 1               | 1    |
| 8               | 4                       | 1  | 5   | 3                       | 1               | 2               | 1               | 1    |
| 9               | 3                       | 2  | 5   | 3                       | 1               | 2               | 1               | 1    |
| 10              | 4                       | 2  | 5   | 3                       | 1               | 2               | 1               | 1    |
| 11              | 4                       | 3  | 5   | 3                       | 1               | 2               | 1               | 1    |
| 12              | 4                       | 4  | 5   | 2                       | 1               | 2               | 1               | 1    |
| 13              | 3                       | 3  | NA  | NA                      | a)              | 3               | a)              | 2    |
| 14              | 4                       | 4  | NA  | NA                      | a)              | 3               | a)              | 2    |
| 15              | 5                       | 5  | NA  | NA                      | a)              | 3               | a)              | 2    |
| 16              | 6                       | 6  | NA  | NA                      | a)              | 2               | a)              | 2    |
| 17              | 7                       | 7  | NA  | NA                      | a)              | 1               | 0               | 2    |
| 18              | 8                       | 8  | NA  | NA                      | 0               | 0               | 0               | 2    |
| 19              | 6                       | 2  | NA  | 3                       | b)              | 2               | c)              | 1    |
| 20              | 6                       | 3  | NA  | 3                       | b)              | 2               | c)              | 1    |
| 21              | 6                       | 4  | NA  | 3                       | b)              | 2               | c)              | 1    |
| 22              | 6                       | 4  | NA  | 2                       | b)              | 2               | c)              | 1    |
| 23              | 6                       | 6  | NA  | 2                       | b)              | 2               | c)              | 1    |
| 24              | 8                       | 2  | NA  | 3                       | b)              | 2               | c)              | 1    |
| 25              | 8                       | 3  | NA  | 3                       | b)              | 2               | c)              | 1    |
| 26              | 8                       | 4  | NA  | 3                       | b)              | 2               | c)              | 1    |
| 27              | 8                       | 4  | NA  | 2                       | b)              | 2               | c)              | 1    |
| 28              | 8                       | 6  | NA  | 2                       | b)              | 2               | c)              | 1    |
| 29              | 8                       | 8  | NA  | 2                       | b)              | 2               | c)              | 1    |
| 30              | 5                       | 1  | 6   | 2                       | 1               | 1               | 1               | 1    |
| 31              | 5                       | 2  | 6   | 2                       | 1               | 1               | 1               | 1    |
| 32              | 5                       | 3  | 6   | 2                       | 1               | 1               | 1               | 1    |
| 33              | 5                       | 4  | 6   | 2                       | 1               | 1               | 1               | 1    |
| 34              | 5                       | 5  | 6   | 2                       | 1               | 1               | 1               | 1    |
| 35              | 5                       | 1  | 6   | 2                       | 1               | 1+to            | 1               | 1    |
| 36              | 5                       | 2  | 6   | 2                       | 1               | 1+to            | 1               | 1    |
| 37              | 5                       | 3  | 6   | 2                       | 1               | 1+to            | 1               | 1    |
| 38              | 5                       | 4  | 6   | 2                       | 1               | 1+to            | 1               | 1    |
| 39              | 5                       | 5  | 6   | 2                       | 1               | 1+to            | 1               | 1    |
| 40              | 6                       | 1  | 7   | 1                       | 1               | 1               | to              | 1    |
| 41              | 6                       | 2  | 7   | 1                       | 1               | 1               | to              | 1    |
| 42              | 6                       | 3  | 7   | 1                       | 1               | 1               | to              | 1    |
| 43              | 6                       | 4  | 7   | 1                       | 1               | 1               | to              | 1    |
| 44              | 6                       | 5  | 7   | 1                       | 1               | 1               | to              | 1    |
| 45              | 6                       | 6  | 7   | 1                       | 1               | 1               | to              | 1    |

a) = 1 with frequency hopping.

- = 0 without frequency hopping.
- b) = 1 with frequency hopping or change from Rx to Tx.  
= 0 without frequency hopping and no change from Rx to Tx.
- c) = 1 with frequency hopping or change from Tx to Rx.  
= 0 without frequency hopping and no change from Tx to Rx.
- to = 31 symbol periods (this can be provided by a TA offset, i.e. a minimum TA value).

Type 1 MS are not required to transmit and receive at the same time.

Type 2 MS are required to be able to transmit and receive at the same time.

For HSCSD, only multislot classes 1 - 18 are recognised. An MS with a higher multislot class number shall indicate a suitable multislot class less than 19 for HSCSD applications (see 3GPP TS 44.018).

#### **Rx:**

Rx describes the maximum number of receive timeslots that the MS can use per TDMA frame. The MS must be able to support all integer values of receive TS from 0 to Rx (depending on the services supported by the MS). The receive TS need not be contiguous. For type 1 MS, the receive TS shall be allocated within window of size Rx, and no transmit TS shall occur between receive TS within a TDMA frame.

#### **Tx:**

Tx describes the maximum number of transmit timeslots that the MS can use per TDMA frame. The MS must be able to support all integer values of transmit TS from 0 to Tx (depending on the services supported by the MS). The transmit TS need not be contiguous. For type 1 MS, the transmit TS shall be allocated within window of size Tx, and no receive TS shall occur between transmit TS within a TDMA frame.

#### **Sum:**

Sum is the total number of uplink and downlink TS that can actually be used by the MS per TDMA frame. The MS must be able to support all combinations of integer values of Rx and Tx TS where  $1 \leq Rx + Tx \leq Sum$  (depending on the services supported by the MS). Sum is not applicable to all classes.

#### **T<sub>ta</sub>:**

T<sub>ta</sub> relates to the time needed for the MS to perform adjacent cell signal level measurement and get ready to transmit.

For type 1 MS it is the minimum number of timeslots that will be allowed between the end of the previous transmit or receive TS and the next transmit TS when measurement is to be performed between. It should be noted that, in practice, the minimum time allowed may be reduced by amount of timing advance.

For type 1 MS that supports extended TA, the parameter T<sub>ta</sub> is increased by 1 if TA > 63 and there is a change from RX to TX.

For type 2 MS it is not applicable.

For circuit switched multislot configurations as defined in subclause 6.4.2.1, T<sub>ta</sub> is not applicable.

#### **T<sub>tb</sub>:**

T<sub>tb</sub> relates to the time needed for the MS to get ready to transmit. This minimum requirement will only be used when adjacent cell power measurements are not required by the service selected.

For type 1 MS it is the minimum number of timeslots that will be allowed between the end of the last previous receive TS and the first next transmit TS or between the previous transmit TS and the next transmit TS when the frequency is changed in between. It should be noted that, in practice, the minimum time allowed may be reduced by the amount of the timing advance.

For type 1 MS that supports extended TA, the parameter T<sub>tb</sub> = 2 if TA > 63 and there is a change from RX to TX.

For type 2 MS it is the minimum number of timeslots that will be allowed between the end of the last transmit burst in a TDMA frame and the first transmit burst in the next TDMA frame.

**$T_{ra}$ :**

$T_{ra}$  relates to the time needed for the MS to perform adjacent cell signal level measurement and get ready to receive.

For type 1 MS it is the minimum number of timeslots that will be allowed between the previous transmit or receive TS and the next receive TS when measurement is to be performed between.

For type 2 MS it is the minimum number of timeslots that will be allowed between the end of the last receive burst in a TDMA frame and the first receive burst in the next TDMA frame.

An MS, except for multislot class 30 – 45, shall be able to decode SCH from a neighbour cell, independent of its relative timing, using an idle frame in combination with  $T_{ra}$  from the preceding frame.

 **$T_{rb}$ :**

$T_{rb}$  relates to the time needed for the MS to get ready to receive. This minimum requirement will only be used when adjacent cell power measurements are not required by the service selected.

For type 1 MS it is the minimum number of timeslots that will be allowed between the previous transmit TS and the next receive TS or between the previous receive TS and the next receive TS when the frequency is changed in between.

For type 2 MS it is the minimum number of timeslots that will be allowed between the end of the last receive burst in a TDMA frame and the first receive burst in the next TDMA frame.

---

## B.2 Constraints imposed by the service selected

The service selected will impose certain restrictions on the allowed combinations of transmit and receive timeslots. Such restrictions are not imposed by this annex but should be derived from the description of the services. For example, in the case of circuit switched data the TS numbers used in the uplink will be a subset of those used in the downlink.

The service selected will determine whether or not adjacent cell power measurements are required and therefore whether  $T_{ra}$  or  $T_{rb}$  is allowed for.

---

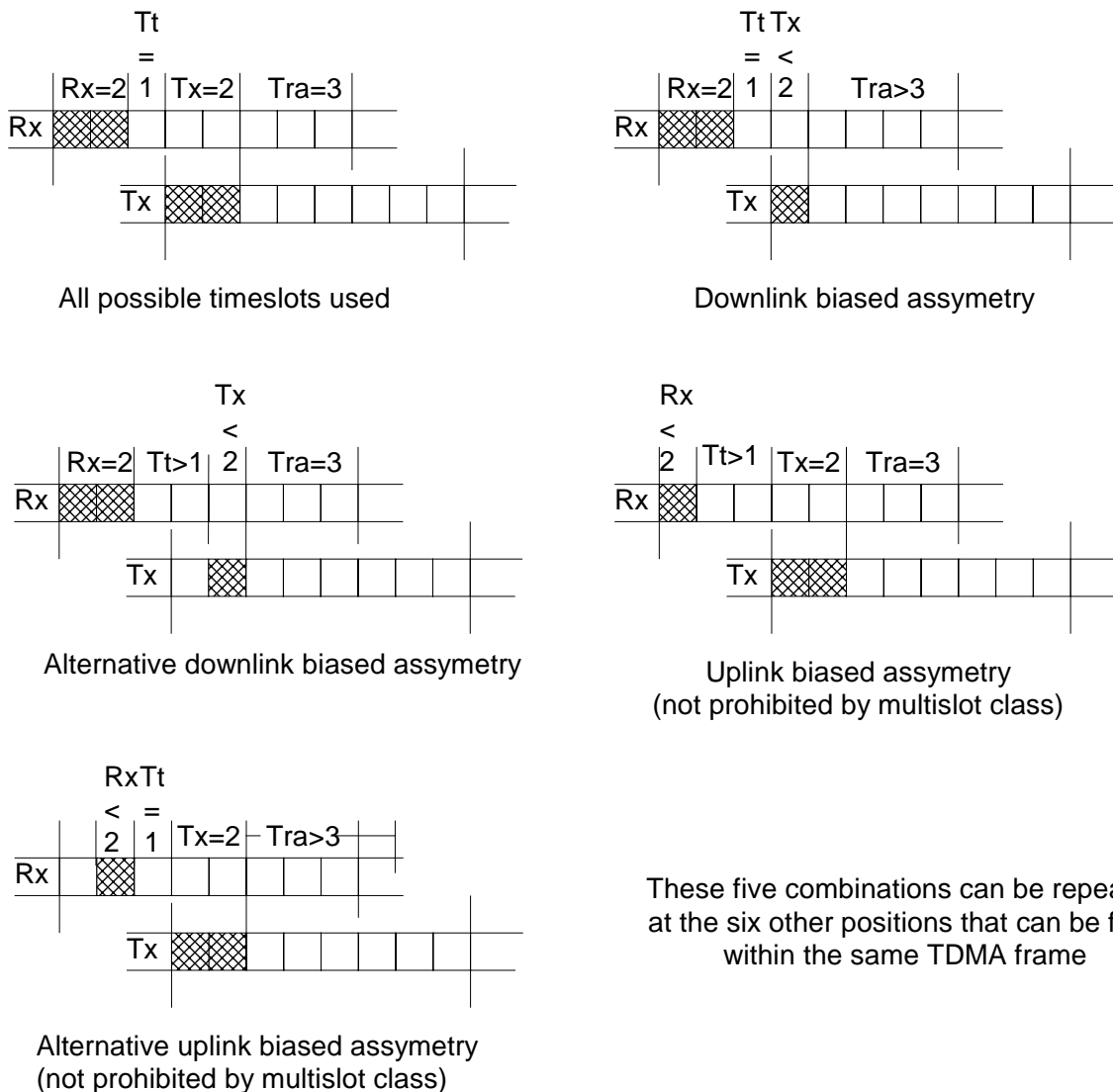
## B.3 Network requirements for supporting MS multislot classes

The multislot class of the MS will limit the combinations and configurations allowed when supporting multislot communication.

GSM 400 network may support extended cell coverage utilising timing advance values greater than 63. This has an effect that the time for MS to change from RX to TX will be very short for distant MS. It is necessary for the network to decide whether requested or current multislot configuration can be supported by distant MS. If actual TA is great enough it may be necessary for network to downgrade requested resources or it may be necessary for network to downgrade current resources.

It is necessary for the network to decide whether the MS needs to perform adjacent cell power measurement for the type of multislot communication intended and whether the service imposes any other constraints before the full restrictions on TS assignments can be resolved. This is best shown by example:

For a multislot class 5 MS in circuit switched configuration (adjacent cell power measurements required) five basic configurations of channels are possible which can occur in six different positions in the TDMA frame. The service itself may determine that asymmetry must be downlink biased, in which case the last two solutions would not be allowed.

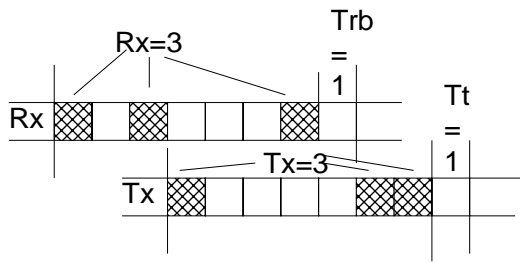


These five combinations can be repeated at the six other positions that can be fitted within the same TDMA frame

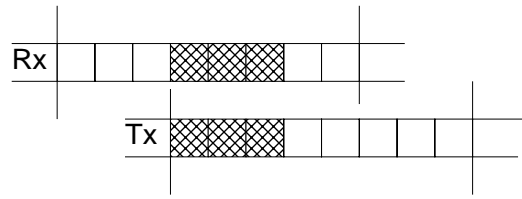
Figure B.1

For a multislot class 13 MS when adjacent cell power measurements are not required and the service does not constrain the transmit and receive timeslots to use the same timeslot number. Many configurations of channels are possible so long as the 5 constraints of the MS are catered for. [Currently services envisaged only allow for the last example here.]

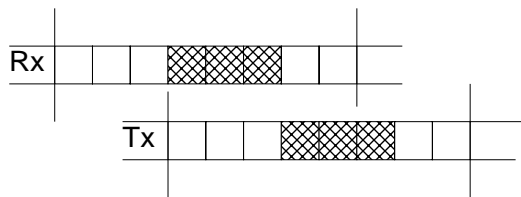
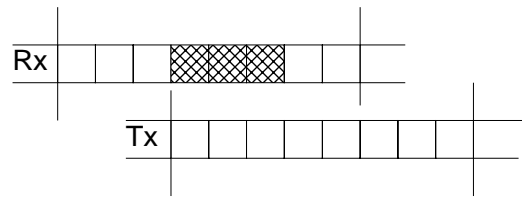
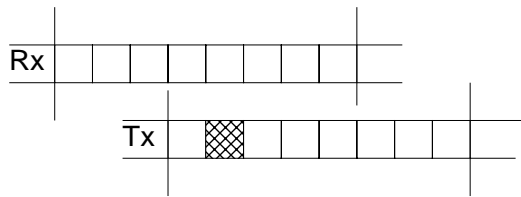




There is no requirement for relative timing of Tx timeslots in relation to Rx timeslots



Many configurations are possible



This configuration could be used for HSCSD or GPRS

Figure B.2

## Annex C (informative): CTSBCH Timeslot shifting example

With the following parameters :

- $TNI = 4$
- $TNSCN = 9$
- $TNSCO = 1$  i.e.  $(TNS1 = TNS_{9,1} = (0, 3, 7, 6, 5, 2, 4, 1))$  and  $TNS2 = TNS_{9,0} = (0, 1, 4, 5, 7, 3, 6, 2)$
- $x0 = 2$
- $x1 = 3$
- $x2 = 5$
- $x3 = 4$

and the timeslot shifting algorithm defined in section 6.3.3, the CTSBCH TN used in set 0 of the shifting sequence is :

|                                 |    |    |    |    |    |    |    |    |    |    |    |    |    |    |    |    |    |    |
|---------------------------------|----|----|----|----|----|----|----|----|----|----|----|----|----|----|----|----|----|----|
| $(FN \text{ div } 52) \bmod 51$ | 0  | 1  | 2  | 3  | 4  | 5  | 6  | 7  | 8  | 9  | 10 | 11 | 12 | 13 | 14 | 15 | 16 | 17 |
| TNS used                        | 1  | 1  | 1  | 1  | 1  | 1  | 1  | 1  | 2  | 2  | 2  | 2  | 1  | 1  | 1  | 1  | 1  | 2  |
| CTSBCH TN                       | 4  | 1  | 0  | 3  | 7  | 6  | 5  | 2  | 0  | 1  | 4  | 5  | 2  | 4  | 1  | 0  | 3  | 6  |
| $(FN \text{ div } 52) \bmod 51$ | 18 | 19 | 20 | 21 | 22 | 23 | 24 | 25 | 26 | 27 | 28 | 29 | 30 | 31 | 32 | 33 | 34 | 35 |
| TNS used                        | 2  | 2  | 1  | 1  | 2  | 2  | 2  | 2  | 2  | 2  | 2  | 2  | 1  | 1  | 1  | 1  | 1  | 1  |
| CTSBCH TN                       | 2  | 0  | 3  | 7  | 3  | 6  | 2  | 0  | 1  | 4  | 5  | 7  | 6  | 5  | 2  | 4  | 1  | 0  |
| $(FN \text{ div } 52) \bmod 51$ | 36 | 37 | 38 | 39 | 40 | 41 | 42 | 43 | 44 | 45 | 46 | 47 | 48 | 49 | 50 |    |    |    |
| TNS used                        | 2  | 2  | 2  | 2  | 2  | 1  | 1  | 1  | 2  | 2  | 2  | 2  | 1  | 1  | 1  |    |    |    |
| CTSBCH TN                       | 1  | 4  | 5  | 7  | 3  | 7  | 6  | 5  | 7  | 3  | 6  | 2  | 4  | 1  | 0  |    |    |    |

For the next sets, same mechanism applies, with

- set 1 beginning with CTSBCH TN = 3
- set 2 beginning with CTSBCH TN = 5
- set 3 beginning with CTSBCH TN = 1
- set 4 beginning with CTSBCH TN = 7
- set 5 beginning with CTSBCH TN = 2
- set 6 beginning with CTSBCH TN = 0
- set 7 beginning with CTSBCH TN = 6

---

## Annex D (informative): COMPACT multiframe structure examples

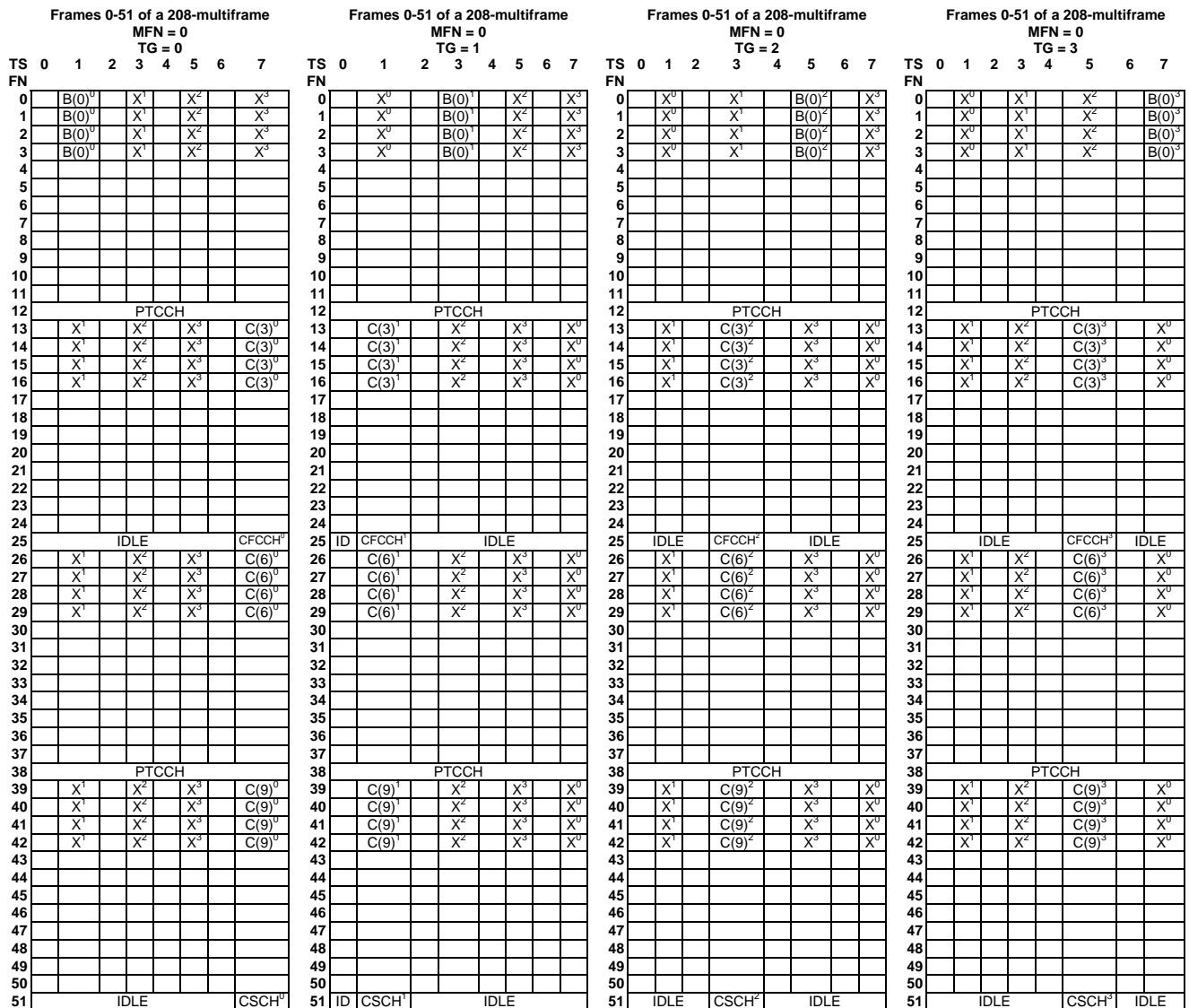
In the figures, the 52-multiframe number (MFN) shall have a range of 0 to 3 and can be calculated from the TDMA frame number (FN) as follows:

$$\text{MFN} = (\text{FN} \text{ div } 52) \text{ mod } 4$$

For COMPACT, timeslot mapping and rotation of the control channels is used such that control channels belonging to a serving time group are rotated over odd timeslot numbers as follows: 7, 5, 3, 1, 7, 5, ... . The rotation occurs between frame numbers  $(\text{FN}) \text{ mod } 52 = 3$  and 4. The timeslot mapping and rotation of the control channels in this manner allows the mobile station to measure the received signal level from surrounding cells in its normal measurement window. Since the rotation repeats itself every 208 frames, the 52-multiframe number (MFN) allows the mobile station to determine its location in the time group rotation during selection and re-selection.

The following relates to Figures D.1 through D.7:

- i)  $B(x)^y$  = time group y uses CPBCCH in block x;
- ii)  $C(x)^y$  = time group y uses CPCCCH in block x;
- iii) PTCCH = PTCCH as normal;
- iv)  $\text{CFCCH}^y$  = time group y uses CFCCH;
- v)  $\text{CSCH}^y$  = time group y uses CSCH;
- vi) IDLE = idle burst;
- vii)  $X^y$  = block designated as idle for time group y;
- viii) Empty = used for traffic as normal.



**Figure D.1: COMPACT downlink 52-multiframe structure using 4 time groups for nominal cells (based on an assignment of 1 CPBCC and 3 CPCCs with NIB\_CCCH\_0 = NIB\_CCCH\_1 = NIB\_CCCH\_2 = NIB\_CCCH\_3 = 4). NIB\_CCCH is not broadcast for serving cell time group**

NOTE: For uplink 52-multiframe structure (based on an assignment of 16 prioritized CPRACHs, see subclause 6.3.2.2.3a), replace B( ) by R( ) where R( ) denotes CPRACH, move down one block, and rotate according to subclause 6.3.2.1. Replace C( ) by R( ) and move down one block. CPRACH in general can be mapped as PRACH in clause 7 Table 6.

| Frames 0-51 of a 208-multiframe |    |                   |                |                |   |                   |                    |  |
|---------------------------------|----|-------------------|----------------|----------------|---|-------------------|--------------------|--|
| MFN = 0                         |    |                   |                |                |   |                   |                    |  |
| TG = 0                          |    |                   |                |                |   |                   |                    |  |
| TS                              | 0  | 1                 | 2              | 3              | 4 | 5                 | 6                  |  |
| FN                              | 0  |                   |                |                |   |                   |                    |  |
|                                 |    | B(0) <sup>0</sup> | X <sup>1</sup> | X <sup>2</sup> |   |                   |                    |  |
|                                 | 1  | B(0) <sup>0</sup> | X <sup>1</sup> | X <sup>2</sup> |   |                   |                    |  |
|                                 | 2  | B(0) <sup>0</sup> | X <sup>1</sup> | X <sup>2</sup> |   |                   |                    |  |
|                                 | 3  | B(0) <sup>0</sup> | X <sup>1</sup> | X <sup>2</sup> |   |                   |                    |  |
|                                 | 4  |                   |                |                |   |                   |                    |  |
|                                 | 5  |                   |                |                |   |                   |                    |  |
|                                 | 6  |                   |                |                |   |                   |                    |  |
|                                 | 7  |                   |                |                |   |                   |                    |  |
|                                 | 8  |                   |                |                |   |                   |                    |  |
|                                 | 9  |                   |                |                |   |                   |                    |  |
|                                 | 10 |                   |                |                |   |                   |                    |  |
|                                 | 11 |                   |                |                |   |                   |                    |  |
|                                 | 12 | PTCCH             |                |                |   |                   |                    |  |
|                                 | 13 | X <sup>1</sup>    | X <sup>2</sup> |                |   | C(3) <sup>0</sup> |                    |  |
|                                 | 14 | X <sup>1</sup>    | X <sup>2</sup> |                |   | C(3) <sup>0</sup> |                    |  |
|                                 | 15 | X <sup>1</sup>    | X <sup>2</sup> |                |   | C(3) <sup>0</sup> |                    |  |
|                                 | 16 | X <sup>1</sup>    | X <sup>2</sup> |                |   | C(3) <sup>0</sup> |                    |  |
|                                 | 17 |                   |                |                |   |                   |                    |  |
|                                 | 18 |                   |                |                |   |                   |                    |  |
|                                 | 19 |                   |                |                |   |                   |                    |  |
|                                 | 20 |                   |                |                |   |                   |                    |  |
|                                 | 21 |                   |                |                |   |                   |                    |  |
|                                 | 22 |                   |                |                |   |                   |                    |  |
|                                 | 23 |                   |                |                |   |                   |                    |  |
|                                 | 24 |                   |                |                |   |                   |                    |  |
|                                 | 25 | IDLE              |                |                |   |                   | CFCCH <sup>0</sup> |  |
|                                 | 26 | X <sup>1</sup>    | X <sup>2</sup> |                |   | C(6) <sup>0</sup> |                    |  |
|                                 | 27 | X <sup>1</sup>    | X <sup>2</sup> |                |   | C(6) <sup>0</sup> |                    |  |
|                                 | 28 | X <sup>1</sup>    | X <sup>2</sup> |                |   | C(6) <sup>0</sup> |                    |  |
|                                 | 29 | X <sup>1</sup>    | X <sup>2</sup> |                |   | C(6) <sup>0</sup> |                    |  |
|                                 | 30 |                   |                |                |   |                   |                    |  |
|                                 | 31 |                   |                |                |   |                   |                    |  |
|                                 | 32 |                   |                |                |   |                   |                    |  |
|                                 | 33 |                   |                |                |   |                   |                    |  |
|                                 | 34 |                   |                |                |   |                   |                    |  |
|                                 | 35 |                   |                |                |   |                   |                    |  |
|                                 | 36 |                   |                |                |   |                   |                    |  |
|                                 | 37 |                   |                |                |   |                   |                    |  |
|                                 | 38 | PTCCH             |                |                |   |                   |                    |  |
|                                 | 39 | X <sup>1</sup>    | X <sup>2</sup> |                |   | C(9) <sup>0</sup> |                    |  |
|                                 | 40 | X <sup>1</sup>    | X <sup>2</sup> |                |   | C(9) <sup>0</sup> |                    |  |
|                                 | 41 | X <sup>1</sup>    | X <sup>2</sup> |                |   | C(9) <sup>0</sup> |                    |  |
|                                 | 42 | X <sup>1</sup>    | X <sup>2</sup> |                |   | C(9) <sup>0</sup> |                    |  |
|                                 | 43 |                   |                |                |   |                   |                    |  |
|                                 | 44 |                   |                |                |   |                   |                    |  |
|                                 | 45 |                   |                |                |   |                   |                    |  |
|                                 | 46 |                   |                |                |   |                   |                    |  |
|                                 | 47 |                   |                |                |   |                   |                    |  |
|                                 | 48 |                   |                |                |   |                   |                    |  |
|                                 | 49 |                   |                |                |   |                   |                    |  |
|                                 | 50 |                   |                |                |   |                   |                    |  |
|                                 | 51 | IDLE              |                |                |   |                   | CSCH <sup>0</sup>  |  |

| Frames 0-51 of a 208-multiframe |    |                   |                    |                |   |                |   |  |
|---------------------------------|----|-------------------|--------------------|----------------|---|----------------|---|--|
| MFN = 0                         |    |                   |                    |                |   |                |   |  |
| TG = 1                          |    |                   |                    |                |   |                |   |  |
| TS                              | 0  | 1                 | 2                  | 3              | 4 | 5              | 6 |  |
| FN                              | 0  |                   |                    |                |   |                |   |  |
|                                 |    | X <sup>0</sup>    | B(0) <sup>1</sup>  | X <sup>2</sup> |   |                |   |  |
|                                 | 1  | X <sup>0</sup>    | B(0) <sup>1</sup>  | X <sup>2</sup> |   |                |   |  |
|                                 | 2  | X <sup>0</sup>    | B(0) <sup>1</sup>  | X <sup>2</sup> |   |                |   |  |
|                                 | 3  | X <sup>0</sup>    | B(0) <sup>1</sup>  | X <sup>2</sup> |   |                |   |  |
|                                 | 4  |                   |                    |                |   |                |   |  |
|                                 | 5  |                   |                    |                |   |                |   |  |
|                                 | 6  |                   |                    |                |   |                |   |  |
|                                 | 7  |                   |                    |                |   |                |   |  |
|                                 | 8  |                   |                    |                |   |                |   |  |
|                                 | 9  |                   |                    |                |   |                |   |  |
|                                 | 10 |                   |                    |                |   |                |   |  |
|                                 | 11 |                   |                    |                |   |                |   |  |
|                                 | 12 | PTCCH             |                    |                |   |                |   |  |
|                                 | 13 | C(3) <sup>1</sup> | X <sup>2</sup>     |                |   | X <sup>0</sup> |   |  |
|                                 | 14 | C(3) <sup>1</sup> | X <sup>2</sup>     |                |   | X <sup>0</sup> |   |  |
|                                 | 15 | C(3) <sup>1</sup> | X <sup>2</sup>     |                |   | X <sup>0</sup> |   |  |
|                                 | 16 | C(3) <sup>1</sup> | X <sup>2</sup>     |                |   | X <sup>0</sup> |   |  |
|                                 | 17 |                   |                    |                |   |                |   |  |
|                                 | 18 |                   |                    |                |   |                |   |  |
|                                 | 19 |                   |                    |                |   |                |   |  |
|                                 | 20 |                   |                    |                |   |                |   |  |
|                                 | 21 |                   |                    |                |   |                |   |  |
|                                 | 22 |                   |                    |                |   |                |   |  |
|                                 | 23 |                   |                    |                |   |                |   |  |
|                                 | 24 |                   |                    |                |   |                |   |  |
|                                 | 25 | ID                | CFCCH <sup>1</sup> | IDLE           |   |                |   |  |
|                                 | 26 | C(6) <sup>1</sup> | X <sup>2</sup>     |                |   | X <sup>0</sup> |   |  |
|                                 | 27 | C(6) <sup>1</sup> | X <sup>2</sup>     |                |   | X <sup>0</sup> |   |  |
|                                 | 28 | C(6) <sup>1</sup> | X <sup>2</sup>     |                |   | X <sup>0</sup> |   |  |
|                                 | 29 | C(6) <sup>1</sup> | X <sup>2</sup>     |                |   | X <sup>0</sup> |   |  |
|                                 | 30 |                   |                    |                |   |                |   |  |
|                                 | 31 |                   |                    |                |   |                |   |  |
|                                 | 32 |                   |                    |                |   |                |   |  |
|                                 | 33 |                   |                    |                |   |                |   |  |
|                                 | 34 |                   |                    |                |   |                |   |  |
|                                 | 35 |                   |                    |                |   |                |   |  |
|                                 | 36 |                   |                    |                |   |                |   |  |
|                                 | 37 |                   |                    |                |   |                |   |  |
|                                 | 38 | PTCCH             |                    |                |   |                |   |  |
|                                 | 39 | C(9) <sup>1</sup> | X <sup>2</sup>     |                |   | X <sup>0</sup> |   |  |
|                                 | 40 | C(9) <sup>1</sup> | X <sup>2</sup>     |                |   | X <sup>0</sup> |   |  |
|                                 | 41 | C(9) <sup>1</sup> | X <sup>2</sup>     |                |   | X <sup>0</sup> |   |  |
|                                 | 42 | C(9) <sup>1</sup> | X <sup>2</sup>     |                |   | X <sup>0</sup> |   |  |
|                                 | 43 |                   |                    |                |   |                |   |  |
|                                 | 44 |                   |                    |                |   |                |   |  |
|                                 | 45 |                   |                    |                |   |                |   |  |
|                                 | 46 |                   |                    |                |   |                |   |  |
|                                 | 47 |                   |                    |                |   |                |   |  |
|                                 | 48 |                   |                    |                |   |                |   |  |
|                                 | 49 |                   |                    |                |   |                |   |  |
|                                 | 50 | ID                | CSCH <sup>1</sup>  | IDLE           |   |                |   |  |
|                                 | 51 | ID                | CSCH <sup>1</sup>  | IDLE           |   |                |   |  |

| Frames 0-51 of a 208-multiframe |    |                |                    |                   |   |                |   |  |
|---------------------------------|----|----------------|--------------------|-------------------|---|----------------|---|--|
| MFN = 0                         |    |                |                    |                   |   |                |   |  |
| TG = 2                          |    |                |                    |                   |   |                |   |  |
| TS                              | 0  | 1              | 2                  | 3                 | 4 | 5              | 6 |  |
| FN                              | 0  |                |                    |                   |   |                |   |  |
|                                 |    | X <sup>0</sup> | X <sup>1</sup>     | B(0) <sup>2</sup> |   |                |   |  |
|                                 | 1  | X <sup>0</sup> | X <sup>1</sup>     | B(0) <sup>2</sup> |   |                |   |  |
|                                 | 2  | X <sup>0</sup> | X <sup>1</sup>     | B(0) <sup>2</sup> |   |                |   |  |
|                                 | 3  | X <sup>0</sup> | X <sup>1</sup>     | B(0) <sup>2</sup> |   |                |   |  |
|                                 | 4  |                |                    |                   |   |                |   |  |
|                                 | 5  |                |                    |                   |   |                |   |  |
|                                 | 6  |                |                    |                   |   |                |   |  |
|                                 | 7  |                |                    |                   |   |                |   |  |
|                                 | 8  |                |                    |                   |   |                |   |  |
|                                 | 9  |                |                    |                   |   |                |   |  |
|                                 | 10 |                |                    |                   |   |                |   |  |
|                                 | 11 |                |                    |                   |   |                |   |  |
|                                 | 12 | PTCCH          |                    |                   |   |                |   |  |
|                                 | 13 | X <sup>1</sup> | C(3) <sup>2</sup>  |                   |   | X <sup>0</sup> |   |  |
|                                 | 14 | X <sup>1</sup> | C(3) <sup>2</sup>  |                   |   | X <sup>0</sup> |   |  |
|                                 | 15 | X <sup>1</sup> | C(3) <sup>2</sup>  |                   |   | X <sup>0</sup> |   |  |
|                                 | 16 | X <sup>1</sup> | C(3) <sup>2</sup>  |                   |   | X <sup>0</sup> |   |  |
|                                 | 17 |                |                    |                   |   |                |   |  |
|                                 | 18 |                |                    |                   |   |                |   |  |
|                                 | 19 |                |                    |                   |   |                |   |  |
|                                 | 20 |                |                    |                   |   |                |   |  |
|                                 | 21 |                |                    |                   |   |                |   |  |
|                                 | 22 |                |                    |                   |   |                |   |  |
|                                 | 23 |                |                    |                   |   |                |   |  |
|                                 | 24 |                |                    |                   |   |                |   |  |
|                                 | 25 | IDLE           | CFCCH <sup>2</sup> | IDLE              |   |                |   |  |
|                                 | 26 | X <sup>1</sup> | C(6) <sup>2</sup>  |                   |   | X <sup>0</sup> |   |  |
|                                 | 27 | X <sup>1</sup> | C(6) <sup>2</sup>  |                   |   | X <sup>0</sup> |   |  |
|                                 | 28 | X <sup>1</sup> | C(6) <sup>2</sup>  |                   |   | X <sup>0</sup> |   |  |
|                                 | 29 | X <sup>1</sup> | C(6) <sup>2</sup>  |                   |   | X <sup>0</sup> |   |  |
|                                 | 30 |                |                    |                   |   |                |   |  |
|                                 | 31 |                |                    |                   |   |                |   |  |
|                                 | 32 |                |                    |                   |   |                |   |  |
|                                 | 33 |                |                    |                   |   |                |   |  |
|                                 | 34 |                |                    |                   |   |                |   |  |
|                                 | 35 |                |                    |                   |   |                |   |  |
|                                 | 36 |                |                    |                   |   |                |   |  |
|                                 | 37 |                |                    |                   |   |                |   |  |
|                                 | 38 | PTCCH          |                    |                   |   |                |   |  |
|                                 | 39 | X <sup>1</sup> | C(9) <sup>2</sup>  |                   |   | X <sup>0</sup> |   |  |
|                                 | 40 | X <sup>1</sup> | C(9) <sup>2</sup>  |                   |   | X <sup>0</sup> |   |  |
|                                 | 41 | X <sup>1</sup> | C(9) <sup>2</sup>  |                   |   | X <sup>0</sup> |   |  |
|                                 | 42 | X <sup>1</sup> | C(9) <sup>2</sup>  |                   |   | X <sup>0</sup> |   |  |
|                                 | 43 |                |                    |                   |   |                |   |  |
|                                 | 44 |                |                    |                   |   |                |   |  |
|                                 | 45 |                |                    |                   |   |                |   |  |
|                                 | 46 |                |                    |                   |   |                |   |  |
|                                 | 47 |                |                    |                   |   |                |   |  |
|                                 | 48 |                |                    |                   |   |                |   |  |
|                                 | 49 |                |                    |                   |   |                |   |  |
|                                 | 50 | IDLE           | CSCH <sup>2</sup>  | IDLE              |   |                |   |  |
|                                 | 51 | IDLE           | CSCH <sup>2</sup>  | IDLE              |   |                |   |  |

Figure D.2: COMPACT downlink 52-multiframe structure using 3 time groups for nominal cells (based on an assignment of 1 CPBCH and 3 CPCCCHs with NIB\_CCCH\_0 = NIB\_CCCH\_1 = NIB\_CCCH\_2 = 4, NIB\_CCCH\_3 = 0). NIB\_CCCHs not broadcast for serving cell time group

NOTE: For uplink 52-multiframe structure (based on an assignment of 16 prioritized CPRACHs, see subclause 6.3.2.2.3a), replace B( ) by R( ) where R( ) denotes CPRACH, move down one block, and rotate according to subclause 6.3.2.1. Replace C( ) by R( ) and move down one block. CPRACH in general can be mapped as PRACH in Clause 7 Table 6.

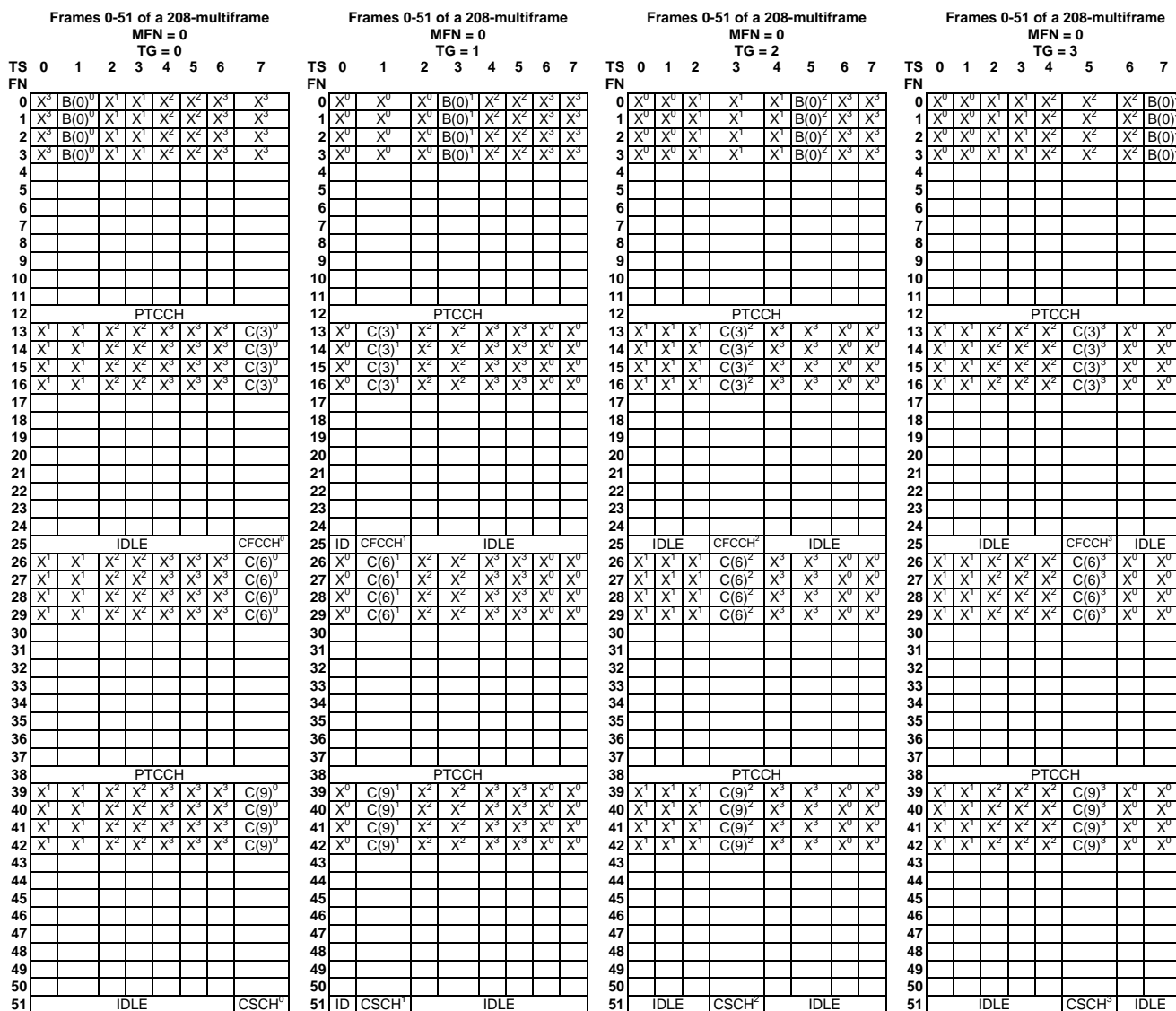


Figure D.3: COMPACT downlink 52-multiframe structure using 4 time groups for large cells (based on an assignment of 1 CPBCCCH and 3 CPCCCHs with NIB\_CCCH\_0 = NIB\_CCCH\_1 = NIB\_CCCH\_2 = NIB\_CCCH\_3 = 4). NIB\_CCCH is not broadcast for serving cell time group

NOTE: For uplink 52-multiframe structure (based on an assignment of 16 prioritized CPRACHs, see subclause 6.3.2.2.3a), replace B( ) by R( ) where R( ) denotes CPRACH, move down one block, and rotate according to subclause 6.3.2.1. Replace C( ) by R( ) and move down one block. CPRACH in general can be mapped as PRACH in Clause 7 Table 6.

| Frames 0-51 of a 208-multiframe<br>MFN = 0<br>TG = 0 |   |                   |                |                |                 |                |                | Frames 0-51 of a 208-multiframe<br>MFN = 0<br>TG = 1 |    |                |                   |                |                   |                |                | Frames 0-51 of a 208-multiframe<br>MFN = 0<br>TG = 2 |    |                 |                 |                   |                   |                   |                |                   |                |                |
|--|---|-------------------|----------------|----------------|-----------------|----------------|----------------|--|----|----------------|-------------------|----------------|-------------------|----------------|----------------|--|----|-----------------|-----------------|-------------------|-------------------|-------------------|----------------|-------------------|----------------|----------------|
| TS   | 0 | 1                 | 2              | 3              | 4               | 5              | 6              | 7  | TS | 0              | 1                 | 2              | 3                 | 4              | 5              | 6  | 7  | TS              | 0               | 1                 | 2                 | 3                 | 4              | 5                 | 6              | 7              |
| FN   |   |                   |                |                |                 |                |                |  | FN |                |                   |                |                   |                |                |  |    | FN              |                 |                   |                   |                   |                |                   |                |                |
| 0  |   | B(0) <sup>0</sup> | X <sup>1</sup> | X <sup>1</sup> | X <sup>12</sup> | X <sup>2</sup> | X <sup>2</sup> |  | 0  | X <sup>0</sup> | X <sup>0</sup>    | X <sup>0</sup> | B(0) <sup>1</sup> | X <sup>2</sup> | X <sup>2</sup> | X <sup>2</sup>                                       |    | 0               | X <sup>0</sup>  | X <sup>0</sup>    | X <sup>01</sup>   | X <sup>1</sup>    | X <sup>1</sup> | B(0) <sup>2</sup> |                |                |
| 1  |   | B(0) <sup>0</sup> | X <sup>1</sup> | X <sup>1</sup> | X <sup>12</sup> | X <sup>2</sup> | X <sup>2</sup> |  | 1  | X <sup>0</sup> | X <sup>0</sup>    | X <sup>0</sup> | B(0) <sup>1</sup> | X <sup>2</sup> | X <sup>2</sup> | X <sup>2</sup>                                       |    | 1               | X <sup>01</sup> | X <sup>1</sup>    | X <sup>01</sup>   | X <sup>1</sup>    | X <sup>1</sup> | B(0) <sup>2</sup> |                |                |
| 2  |   | B(0) <sup>0</sup> | X <sup>1</sup> | X <sup>1</sup> | X <sup>12</sup> | X <sup>2</sup> | X <sup>2</sup> |  | 2  | X <sup>0</sup> | X <sup>0</sup>    | X <sup>0</sup> | B(0) <sup>1</sup> | X <sup>2</sup> | X <sup>2</sup> | X <sup>2</sup>                                       |    | 2               | X <sup>0</sup>  | X <sup>0</sup>    | X <sup>01</sup>   | X <sup>1</sup>    | X <sup>1</sup> | B(0) <sup>2</sup> |                |                |
| 3  |   | B(0) <sup>0</sup> | X <sup>1</sup> | X <sup>1</sup> | X <sup>12</sup> | X <sup>2</sup> | X <sup>2</sup> |  | 3  | X <sup>0</sup> | X <sup>0</sup>    | X <sup>0</sup> | B(0) <sup>1</sup> | X <sup>2</sup> | X <sup>2</sup> | X <sup>2</sup>                                       |    | 3               | X <sup>0</sup>  | X <sup>0</sup>    | X <sup>01</sup>   | X <sup>1</sup>    | X <sup>1</sup> | B(0) <sup>2</sup> |                |                |
| 4  |   |                   |                |                |                 |                |                |  | 4  |                |                   |                |                   |                |                |  |    | 4               |                 |                   |                   |                   |                |                   |                |                |
| 5  |   |                   |                |                |                 |                |                |  | 5  |                |                   |                |                   |                |                |  |    | 5               |                 |                   |                   |                   |                |                   |                |                |
| 6  |   |                   |                |                |                 |                |                |  | 6  |                |                   |                |                   |                |                |  |    | 6               |                 |                   |                   |                   |                |                   |                |                |
| 7  |   |                   |                |                |                 |                |                |  | 7  |                |                   |                |                   |                |                |  |    | 7               |                 |                   |                   |                   |                |                   |                |                |
| 8  |   |                   |                |                |                 |                |                |  | 8  |                |                   |                |                   |                |                |  |    | 8               |                 |                   |                   |                   |                |                   |                |                |
| 9  |   |                   |                |                |                 |                |                |  | 9  |                |                   |                |                   |                |                |  |    | 9               |                 |                   |                   |                   |                |                   |                |                |
| 10   |   |                   |                |                |                 |                |                |  | 10 |                |                   |                |                   |                |                |  |    | 10              |                 |                   |                   |                   |                |                   |                |                |
| 11   |   |                   |                |                |                 |                |                |  | 11 |                |                   |                |                   |                |                |  |    | 11              |                 |                   |                   |                   |                |                   |                |                |
| 12   |   |                   |                |                |                 |                |                |  | 12 |                |                   |                |                   |                |                |  |    | 12              |                 |                   |                   |                   |                |                   |                |                |
| 13   |   |                   |                |                |                 |                |                | C(3) <sup>0</sup>                                    | 13 | X <sup>0</sup> | C(3) <sup>1</sup> | X <sup>2</sup> | X <sup>2</sup>    | X <sup>2</sup> | X <sup>0</sup> | X <sup>0</sup>                                       |    | 13              | X <sup>01</sup> | X <sup>1</sup>    | X <sup>1</sup>    | C(3) <sup>2</sup> |                |                   | X <sup>0</sup> | X <sup>0</sup> |
| 14   |   |                   |                |                |                 |                |                | C(3) <sup>0</sup>                                    | 14 | X <sup>0</sup> | C(3) <sup>1</sup> | X <sup>2</sup> | X <sup>2</sup>    | X <sup>2</sup> | X <sup>0</sup> | X <sup>0</sup>                                       |    | 14              | X <sup>01</sup> | X <sup>1</sup>    | X <sup>1</sup>    | C(3) <sup>2</sup> |                |                   | X <sup>0</sup> | X <sup>0</sup> |
| 15   |   |                   |                |                |                 |                |                | C(3) <sup>0</sup>                                    | 15 | X <sup>0</sup> | C(3) <sup>1</sup> | X <sup>2</sup> | X <sup>2</sup>    | X <sup>2</sup> | X <sup>0</sup> | X <sup>0</sup>                                       |    | 15              | X <sup>01</sup> | X <sup>1</sup>    | X <sup>1</sup>    | C(3) <sup>2</sup> |                |                   | X <sup>0</sup> | X <sup>0</sup> |
| 16   |   |                   |                |                |                 |                |                | C(3) <sup>0</sup>                                    | 16 | X <sup>0</sup> | C(3) <sup>1</sup> | X <sup>2</sup> | X <sup>2</sup>    | X <sup>2</sup> | X <sup>0</sup> | X <sup>0</sup>                                       |    | 16              | X <sup>01</sup> | X <sup>1</sup>    | X <sup>1</sup>    | C(3) <sup>2</sup> |                |                   | X <sup>0</sup> | X <sup>0</sup> |
| 17   |   |                   |                |                |                 |                |                |  | 17 |                |                   |                |                   |                |                |  |    | 17              |                 |                   |                   |                   |                |                   |                |                |
| 18   |   |                   |                |                |                 |                |                |  | 18 |                |                   |                |                   |                |                |  |    | 18              |                 |                   |                   |                   |                |                   |                |                |
| 19   |   |                   |                |                |                 |                |                |  | 19 |                |                   |                |                   |                |                |  |    | 19              |                 |                   |                   |                   |                |                   |                |                |
| 20   |   |                   |                |                |                 |                |                |  | 20 |                |                   |                |                   |                |                |  |    | 20              |                 |                   |                   |                   |                |                   |                |                |
| 21   |   |                   |                |                |                 |                |                |  | 21 |                |                   |                |                   |                |                |  |    | 21              |                 |                   |                   |                   |                |                   |                |                |
| 22   |   |                   |                |                |                 |                |                |  | 22 |                |                   |                |                   |                |                |  |    | 22              |                 |                   |                   |                   |                |                   |                |                |
| 23   |   |                   |                |                |                 |                |                |  | 23 |                |                   |                |                   |                |                |  |    | 23              |                 |                   |                   |                   |                |                   |                |                |
| 24   |   |                   |                |                |                 |                |                |  | 24 |                |                   |                |                   |                |                |  |    | 24              |                 |                   |                   |                   |                |                   |                |                |
| 25   |   |                   |                |                |                 |                |                | CFCH <sup>0</sup>                                    | 25 | ID             | CFCH <sup>1</sup> |                |                   |                |                |  | 25 | IDLE            |                 | CFCH <sup>2</sup> |                   |                   |                |                   |                |                |
| 26   |   |                   |                |                |                 |                |                | C(6) <sup>0</sup>                                    | 26 | X <sup>0</sup> | C(6) <sup>1</sup> | X <sup>2</sup> | X <sup>2</sup>    | X <sup>2</sup> | X <sup>0</sup> | X <sup>0</sup>                                       | 26 | X <sup>01</sup> | X <sup>1</sup>  | X <sup>1</sup>    | C(6) <sup>2</sup> |                   |                | X <sup>0</sup>    | X <sup>0</sup> |                |
| 27   |   |                   |                |                |                 |                |                | C(6) <sup>0</sup>                                    | 27 | X <sup>0</sup> | C(6) <sup>1</sup> | X <sup>2</sup> | X <sup>2</sup>    | X <sup>2</sup> | X <sup>0</sup> | X <sup>0</sup>                                       | 27 | X <sup>01</sup> | X <sup>1</sup>  | X <sup>1</sup>    | C(6) <sup>2</sup> |                   |                | X <sup>0</sup>    | X <sup>0</sup> |                |
| 28   |   |                   |                |                |                 |                |                | C(6) <sup>0</sup>                                    | 28 | X <sup>0</sup> | C(6) <sup>1</sup> | X <sup>2</sup> | X <sup>2</sup>    | X <sup>2</sup> | X <sup>0</sup> | X <sup>0</sup>                                       | 28 | X <sup>01</sup> | X <sup>1</sup>  | X <sup>1</sup>    | C(6) <sup>2</sup> |                   |                | X <sup>0</sup>    | X <sup>0</sup> |                |
| 29   |   |                   |                |                |                 |                |                | C(6) <sup>0</sup>                                    | 29 | X <sup>0</sup> | C(6) <sup>1</sup> | X <sup>2</sup> | X <sup>2</sup>    | X <sup>2</sup> | X <sup>0</sup> | X <sup>0</sup>                                       | 29 | X <sup>01</sup> | X <sup>1</sup>  | X <sup>1</sup>    | C(6) <sup>2</sup> |                   |                | X <sup>0</sup>    | X <sup>0</sup> |                |
| 30   |   |                   |                |                |                 |                |                |  | 30 |                |                   |                |                   |                |                |  | 30 |                 |                 |                   |                   |                   |                |                   |                |                |
| 31   |   |                   |                |                |                 |                |                |  | 31 |                |                   |                |                   |                |                |  | 31 |                 |                 |                   |                   |                   |                |                   |                |                |
| 32   |   |                   |                |                |                 |                |                |  | 32 |                |                   |                |                   |                |                |  | 32 |                 |                 |                   |                   |                   |                |                   |                |                |
| 33   |   |                   |                |                |                 |                |                |  | 33 |                |                   |                |                   |                |                |  | 33 |                 |                 |                   |                   |                   |                |                   |                |                |
| 34   |   |                   |                |                |                 |                |                |  | 34 |                |                   |                |                   |                |                |  | 34 |                 |                 |                   |                   |                   |                |                   |                |                |
| 35   |   |                   |                |                |                 |                |                |  | 35 |                |                   |                |                   |                |                |  | 35 |                 |                 |                   |                   |                   |                |                   |                |                |
| 36   |   |                   |                |                |                 |                |                |  | 36 |                |                   |                |                   |                |                |  | 36 |                 |                 |                   |                   |                   |                |                   |                |                |
| 37   |   |                   |                |                |                 |                |                |  | 37 |                |                   |                |                   |                |                |  | 37 |                 |                 |                   |                   |                   |                |                   |                |                |
| 38   |   |                   |                |                |                 |                |                |  | 38 |                |                   |                |                   |                |                |  | 38 |                 |                 |                   |                   |                   |                |                   |                |                |
| 39   |   |                   |                |                |                 |                |                | C(9) <sup>0</sup>                                    | 39 | X <sup>0</sup> | C(9) <sup>1</sup> | X <sup>2</sup> | X <sup>2</sup>    | X <sup>2</sup> | X <sup>0</sup> | X <sup>0</sup>                                       | 39 | X <sup>01</sup> | X <sup>1</sup>  | X <sup>1</sup>    | C(9) <sup>2</sup> |                   |                | X <sup>0</sup>    | X <sup>0</sup> |                |
| 40   |   |                   |                |                |                 |                |                | C(9) <sup>0</sup>                                    | 40 | X <sup>0</sup> | C(9) <sup>1</sup> | X <sup>2</sup> | X <sup>2</sup>    | X <sup>2</sup> | X <sup>0</sup> | X <sup>0</sup>                                       | 40 | X <sup>01</sup> | X <sup>1</sup>  | X <sup>1</sup>    | C(9) <sup>2</sup> |                   |                | X <sup>0</sup>    | X <sup>0</sup> |                |
| 41   |   |                   |                |                |                 |                |                | C(9) <sup>0</sup>                                    | 41 | X <sup>0</sup> | C(9) <sup>1</sup> | X <sup>2</sup> | X <sup>2</sup>    | X <sup>2</sup> | X <sup>0</sup> | X <sup>0</sup>                                       | 41 | X <sup>01</sup> | X <sup>1</sup>  | X <sup>1</sup>    | C(9) <sup>2</sup> |                   |                | X <sup>0</sup>    | X <sup>0</sup> |                |
| 42   |   |                   |                |                |                 |                |                | C(9) <sup>0</sup>                                    | 42 | X <sup>0</sup> | C(9) <sup>1</sup> | X <sup>2</sup> | X <sup>2</sup>    | X <sup>2</sup> | X <sup>0</sup> | X <sup>0</sup>                                       | 42 | X <sup>01</sup> | X <sup>1</sup>  | X <sup>1</sup>    | C(9) <sup>2</sup> |                   |                | X <sup>0</sup>    | X <sup>0</sup> |                |
| 43   |   |                   |                |                |                 |                |                |  | 43 |                |                   |                |                   |                |                |  | 43 |                 |                 |                   |                   |                   |                |                   |                |                |
| 44   |   |                   |                |                |                 |                |                |  | 44 |                |                   |                |                   |                |                |  | 44 |                 |                 |                   |                   |                   |                |                   |                |                |
| 45   |   |                   |                |                |                 |                |                |  | 45 |                |                   |                |                   |                |                |  | 45 |                 |                 |                   |                   |                   |                |                   |                |                |
| 46   |   |                   |                |                |                 |                |                |  | 46 |                |                   |                |                   |                |                |  | 46 |                 |                 |                   |                   |                   |                |                   |                |                |
| 47   |   |                   |                |                |                 |                |                |  | 47 |                |                   |                |                   |                |                |  | 47 |                 |                 |                   |                   |                   |                |                   |                |                |
| 48   |   |                   |                |                |                 |                |                |  | 48 |                |                   |                |                   |                |                |  | 48 |                 |                 |                   |                   |                   |                |                   |                |                |
| 49   |   |                   |                |                |                 |                |                |  | 49 |                |                   |                |                   |                |                |  | 49 |                 |                 |                   |                   |                   |                |                   |                |                |
| 50   |   |                   |                |                |                 |                |                |  | 50 |                |                   |                |                   |                |                |  | 50 |                 |                 |                   |                   |                   |                |                   |                |                |
| 51   |   |                   |                |                |                 |                |                | CSCH <sup>0</sup>                                    | 51 | ID             | CSCH <sup>1</sup> |                |                   |                |                |  | 51 | IDLE            |                 | CSCH <sup>2</sup> |                   |                   |                |                   |                |                |

Figure D.4: COMPACT downlink 52-multiframe structure using 3 time groups for large cells (based on an assignment of 1 CPBCC and 3 CPCCCHs with NIB\_CCCH\_0 = NIB\_CCCH\_1 = NIB\_CCCH\_2 = 4, NIB\_CCCH\_3 = 0). NIB\_CCCH is not broadcast for serving cell time group

NOTE: For uplink 52-multiframe structure (based on an assignment of 16 prioritized CPRACHs, see subclause 6.3.2.2.3a), replace B( ) by R( ) where R( ) denotes CPRACH, move down one block, and rotate according to subclause 6.3.2.1. Replace C( ) by R( ) and move down one block. CPRACH in general can be mapped as PRACH in Clause 7 Table 6.

| Frames 0-51 of a 208-multiframe<br>MFN = 0 |                   |                |                |                |   |   |   | Frames 52-103 of a 208-multiframe<br>MFN = 1 |     |                |                |                |   |   |   | Frames 104-155 of a 208-multiframe<br>MFN = 2 |   |     |                |                |                   |                |   | Frames 156-207 of a 208-multiframe<br>MFN = 3 |   |   |     |                |                   |                |                |   |   |   |   |
|--|-------------------|----------------|----------------|----------------|---|---|---|--|-----|----------------|----------------|----------------|---|---|---|---|---|-----|----------------|----------------|-------------------|----------------|---|---|---|---|-----|----------------|-------------------|----------------|----------------|---|---|---|---|
| TS   | 0                 | 1              | 2              | 3              | 4 | 5 | 6 | 7  | TS  | 0              | 1              | 2              | 3 | 4 | 5 | 6   | 7 | TS  | 0              | 1              | 2                 | 3              | 4 | 5   | 6 | 7 | TS  | 0              | 1                 | 2              | 3              | 4 | 5 | 6 | 7 |
| FN   |                   |                |                |                |   |   |   |  | FN  |                |                |                |   |   |   |   |   | FN  |                |                |                   |                |   |   |   |   | FN  |                |                   |                |                |   |   |   |   |
| 0  | B(0) <sup>u</sup> | X <sup>1</sup> | X <sup>2</sup> | X <sup>3</sup> |   |   |   |  | 52  | X <sup>1</sup> | X <sup>2</sup> | X <sup>3</sup> |   |   |   | B(0) <sup>u</sup>                             |   | 104 | X <sup>2</sup> | X <sup>3</sup> | B(0) <sup>u</sup> | X <sup>1</sup> |   |   |   |   | 156 | X <sup>3</sup> | B(0) <sup>u</sup> | X <sup>1</sup> | X <sup>2</sup> |   |   |   |   |
| 1  | B(0) <sup>u</sup> | X <sup>1</sup> | X <sup>2</sup> | X <sup>3</sup> |   |   |   |  | 53  | X <sup>1</sup> | X <sup>2</sup> | X <sup>3</sup> |   |   |   | B(0) <sup>u</sup>                             |   | 105 | X <sup>2</sup> | X <sup>3</sup> | B(0) <sup>u</sup> | X <sup>1</sup> |   |   |   |   | 157 | X <sup>3</sup> | B(0) <sup>u</sup> | X <sup>1</sup> | X <sup>2</sup> |   |   |   |   |
| 2  | B(0) <sup>u</sup> | X <sup>1</sup> | X <sup>2</sup> | X <sup>3</sup> |   |   |   |  | 54  | X <sup>1</sup> | X <sup>2</sup> | X <sup>3</sup> |   |   |   | B(0) <sup>u</sup>                             |   | 106 | X <sup>2</sup> | X <sup>3</sup> | B(0) <sup>u</sup> | X <sup>1</sup> |   |   |   |   | 158 | X <sup>3</sup> | B(0) <sup>u</sup> | X <sup>1</sup> | X <sup>2</sup> |   |   |   |   |
| 3  | B(0) <sup>u</sup> | X <sup>1</sup> | X <sup>2</sup> | X <sup>3</sup> |   |   |   |  | 55  | X <sup>1</sup> | X <sup>2</sup> | X <sup>3</sup> |   |   |   | B(0) <sup>u</sup>                             |   | 107 | X <sup>2</sup> | X <sup>3</sup> | B(0) <sup>u</sup> | X <sup>1</sup> |   |   |   |   | 159 | X <sup>3</sup> | B(0) <sup>u</sup> | X <sup>1</sup> | X <sup>2</sup> |   |   |   |   |
| 4  |                   |                |                |                |   |   |   |  | 56  |                |                |                |   |   |   |   |   | 108 |                |                |                   |                |   |   |   |   | 160 |                |                   |                |                |   |   |   |   |
| 5  |                   |                |                |                |   |   |   |  | 57  |                |                |                |   |   |   |   |   | 109 |                |                |                   |                |   |   |   |   | 161 |                |                   |                |                |   |   |   |   |
| 6  |                   |                |                |                |   |   |   |  | 58  |                |                |                |   |   |   |   |   | 110 |                |                |                   |                |   |   |   |   | 162 |                |                   |                |                |   |   |   |   |
| 7  |                   |                |                |                |   |   |   |  | 59  |                |                |                |   |   |   |   |   | 111 |                |                |                   |                |   |   |   |   | 163 |                |                   |                |                |   |   |   |   |
| 8  |                   |                |                |                |   |   |   |  | 60  |                |                |                |   |   |   |   |   | 112 |                |                |                   |                |   |   |   |   | 164 |                |                   |                |                |   |   |   |   |
| 9  |                   |                |                |                |   |   |   |  | 61  |                |                |                |   |   |   |   |   | 113 |                |                |                   |                |   |   |   |   | 165 |                |                   |                |                |   |   |   |   |
| 10   |                   |                |                |                |   |   |   |  | 62  |                |                |                |   |   |   |   |   | 114 |                |                |                   |                |   |   |   |   | 166 |                |                   |                |                |   |   |   |   |
| 11   |                   |                |                |                |   |   |   |  | 63  |                |                |                |   |   |   |   |   | 115 |                |                |                   |                |   |   |   |   | 167 |                |                   |                |                |   |   |   |   |
| 12   |                   |                |                |                |   |   |   |  | 64  |                |                |                |   |   |   |   |   | 116 |                |                |                   |                |   |   |   |   | 168 |                |                   |                |                |   |   |   |   |
| 13   |                   |                |                |                |   |   |   |  | 65  |                |                |                |   |   |   |   |   | 117 |                |                |                   |                |   |   |   |   | 169 |                |                   |                |                |   |   |   |   |
| 14   |                   |                |                |                |   |   |   |  | 66  |                |                |                |   |   |   |   |   | 118 |                |                |                   |                |   |   |   |   | 170 |                |                   |                |                |   |   |   |   |
| 15   |                   |                |                |                |   |   |   |  | 67  |                |                |                |   |   |   |   |   | 119 |                |                |                   |                |   |   |   |   | 171 |                |                   |                |                |   |   |   |   |
| 16   |                   |                |                |                |   |   |   |  | 68  |                |                |                |   |   |   |   |   | 120 |                |                |                   |                |   |   |   |   | 172 |                |                   |                |                |   |   |   |   |
| 17   |                   |                |                |                |   |   |   |  | 69  |                |                |                |   |   |   |   |   | 121 |                |                |                   |                |   |   |   |   | 173 |                |                   |                |                |   |   |   |   |
| 18   |                   |                |                |                |   |   |   |  | 70  |                |                |                |   |   |   |   |   | 122 |                |                |                   |                |   |   |   |   | 174 |                |                   |                |                |   |   |   |   |
| 19   |                   |                |                |                |   |   |   |  | 71  |                |                |                |   |   |   |   |   | 123 |                |                |                   |                |   |   |   |   | 175 |                |                   |                |                |   |   |   |   |
| 20   |                   |                |                |                |   |   |   |  | 72  |                |                |                |   |   |   |   |   | 124 |                |                |                   |                |   |   |   |   | 176 |                |                   |                |                |   |   |   |   |
| 21   |                   |                |                |                |   |   |   |  | 73  |                |                |                |   |   |   |   |   | 125 |                |                |                   |                |   |   |   |   | 177 |                |                   |                |                |   |   |   |   |
| 22   |                   |                |                |                |   |   |   |  | 74  |                |                |                |   |   |   |   |   | 126 |                |                |                   |                |   |   |   |   | 178 |                |                   |                |                |   |   |   |   |
| 23   |                   |                |                |                |   |   |   |  | 75  |                |                |                |   |   |   |   |   | 127 |                |                |                   |                |   |   |   |   | 179 |                |                   |                |                |   |   |   |   |
| 24   |                   |                |                |                |   |   |   |  | 76  |                |                |                |   |   |   |   |   | 128 |                |                |                   |                |   |   |   |   | 180 |                |                   |                |                |   |   |   |   |
| 25   |                   |                |                |                |   |   |   |  | 77  |                |                |                |   |   |   |   |   | 129 |                |                |                   |                |   |   |   |   | 181 |                |                   |                |                |   |   |   |   |
| 26   |                   |                |                |                |   |   |   |  | 78  |                |                |                |   |   |   |   |   | 130 |                |                |                   |                |   |   |   |   | 182 |                |                   |                |                |   |   |   |   |
| 27   |                   |                |                |                |   |   |   |  | 79  |                |                |                |   |   |   |   |   | 131 |                |                |                   |                |   |   |   |   | 183 |                |                   |                |                |   |   |   |   |
| 28   |                   |                |                |                |   |   |   |  | 80  |                |                |                |   |   |   |   |   | 132 |                |                |                   |                |   |   |   |   | 184 |                |                   |                |                |   |   |   |   |
| 29   |                   |                |                |                |   |   |   |  | 81  |                |                |                |   |   |   |   |   | 133 |                |                |                   |                |   |   |   |   | 185 |                |                   |                |                |   |   |   |   |
| 30   |                   |                |                |                |   |   |   |  | 82  |                |                |                |   |   |   |   |   | 134 |                |                |                   |                |   |   |   |   | 186 |                |                   |                |                |   |   |   |   |
| 31   |                   |                |                |                |   |   |   |  | 83  |                |                |                |   |   |   |   |   | 135 |                |                |                   |                |   |   |   |   | 187 |                |                   |                |                |   |   |   |   |
| 32   |                   |                |                |                |   |   |   |  | 84  |                |                |                |   |   |   |   |   | 136 |                |                |                   |                |   |   |   |   | 188 |                |                   |                |                |   |   |   |   |
| 33   |                   |                |                |                |   |   |   |  | 85  |                |                |                |   |   |   |   |   | 137 |                |                |                   |                |   |   |   |   | 189 |                |                   |                |                |   |   |   |   |
| 34   |                   |                |                |                |   |   |   |  | 86  |                |                |                |   |   |   |   |   | 138 |                |                |                   |                |   |   |   |   | 190 |                |                   |                |                |   |   |   |   |
| 35   |                   |                |                |                |   |   |   |  | 87  |                |                |                |   |   |   |   |   | 139 |                |                |                   |                |   |   |   |   | 191 |                |                   |                |                |   |   |   |   |
| 36   |                   |                |                |                |   |   |   |  | 88  |                |                |                |   |   |   |   |   | 140 |                |                |                   |                |   |   |   |   | 192 |                |                   |                |                |   |   |   |   |
| 37   |                   |                |                |                |   |   |   |  | 89  |                |                |                |   |   |   |   |   | 141 |                |                |                   |                |   |   |   |   | 193 |                |                   |                |                |   |   |   |   |
| 38   |                   |                |                |                |   |   |   |  | 90  |                |                |                |   |   |   |   |   | 142 |                |                |                   |                |   |   |   |   | 194 |                |                   |                |                |   |   |   |   |
| 39   |                   |                |                |                |   |   |   |  | 91  |                |                |                |   |   |   |   |   | 143 |                |                |                   |                |   |   |   |   | 195 |                |                   |                |                |   |   |   |   |
| 40   |                   |                |                |                |   |   |   |  | 92  |                |                |                |   |   |   |   |   | 144 |                |                |                   |                |   |   |   |   | 196 |                |                   |                |                |   |   |   |   |
| 41   |                   |                |                |                |   |   |   |  | 93  |                |                |                |   |   |   |   |   | 145 |                |                |                   |                |   |   |   |   | 197 |                |                   |                |                |   |   |   |   |
| 42   |                   |                |                |                |   |   |   |  | 94  |                |                |                |   |   |   |   |   | 146 |                |                |                   |                |   |   |   |   | 198 |                |                   |                |                |   |   |   |   |
| 43   |                   |                |                |                |   |   |   |  | 95  |                |                |                |   |   |   |   |   | 147 |                |                |                   |                |   |   |   |   | 199 |                |                   |                |                |   |   |   |   |
| 44   |                   |                |                |                |   |   |   |  | 96  |                |                |                |   |   |   |   |   | 148 |                |                |                   |                |   |   |   |   | 200 |                |                   |                |                |   |   |   |   |
| 45   |                   |                |                |                |   |   |   |  | 97  |                |                |                |   |   |   |   |   | 149 |                |                |                   |                |   |   |   |   | 201 |                |                   |                |                |   |   |   |   |
| 46   |                   |                |                |                |   |   |   |  | 98  |                |                |                |   |   |   |   |   | 150 |                |                |                   |                |   |   |   |   | 202 |                |                   |                |                |   |   |   |   |
| 47   |                   |                |                |                |   |   |   |  | 99  |                |                |                |   |   |   |   |   | 151 |                |                |                   |                |   |   |   |   | 203 |                |                   |                |                |   |   |   |   |
| 48   |                   |                |                |                |   |   |   |  | 100 |                |                |                |   |   |   |   |   | 152 |                |                |                   |                |   |   |   |   | 204 |                |                   |                |                |   |   |   |   |
| 49   |                   |                |                |                |   |   |   |  | 101 |                |                |                |   |   |   |   |   | 153 |                |                |                   |                |   |   |   |   | 205 |                |                   |                |                |   |   |   |   |
| 50   |                   |                |                |                |   |   |   |  | 102 |                |                |                |   |   |   |   |   | 154 |                |                |                   |                |   |   |   |   | 206 |                |                   |                |                |   |   |   |   |
| 51   |                   |                |                |                |   |   |   |  | 103 |                |                |                |   |   |   |   |   | 155 |                |                |                   |                |   |   |   |   | 207 |                |                   |                |                |   |   |   |   |

**Figure D.5: Example of COMPACT downlink timeslot mapping and rotation of control channels using 4 time groups for nominal cells (based on an assignment of 1 CPBCC and 3 CPCCCHs with NIB\_CCCH\_0 = NIB\_CCCH\_1 = NIB\_CCCH\_2 = NIB\_CCCH\_3 = 4). TG = 0 is illustrated. NIB\_CCCH is not broadcast for serving cell time group**

NOTE: For uplink 52-multiframe structure (based on an assignment of 16 prioritized CPRACHs, see subclause 6.3.2.2.3a), replace B( ) by R( ) where R( ) denotes CPRACH, move down one block, and rotate according to subclause 6.3.2.1. Replace C( ) by R( ) and move down one block. CPRACH in general can be mapped as PRACH in Clause 7 Table 6.



| Frames 0-51 of a 208-multiframe MFN = 0 |   |                   |                |                |   |   |   | Frames 52-103 of a 208-multiframe MFN = 1 |     |   |                |                |   |                   |   | Frames 104-155 of a 208-multiframe MFN = 2 |                   |      |                   |                   |      |                |   | Frames 156-207 of a 208-multiframe MFN = 3 |                |     |                   |                |                |                   |                |                |   |   |   |
|---|---|-------------------|----------------|----------------|---|---|---|---|-----|---|----------------|----------------|---|-------------------|---|--|-------------------|------|-------------------|-------------------|------|----------------|---|--|----------------|-----|-------------------|----------------|----------------|-------------------|----------------|----------------|---|---|---|
| TS                                      | 0 | 1                 | 2              | 3              | 4 | 5 | 6 | 7   | TS  | 0 | 1              | 2              | 3 | 4                 | 5 | 6  | 7                 | TS   | 0                 | 1                 | 2    | 3              | 4 | 5  | 6              | 7   | TS                | 0              | 1              | 2                 | 3              | 4              | 5 | 6 | 7 |
| FN                                      |   |                   |                |                |   |   |   |   | FN  |   |                |                |   |                   |   |  |                   | FN   |                   |                   |      |                |   |  |                |     | FN                |                |                |                   |                |                |   |   |   |
| 0                                       |   | B(0) <sup>u</sup> | X <sup>1</sup> | X <sup>2</sup> |   |   |   |   | 52  |   | X <sup>1</sup> | X <sup>2</sup> |   |                   |   |  | B(0) <sup>u</sup> | 104  |                   | X <sup>2</sup>    |      |                |   | B(0) <sup>u</sup>                          | X <sup>1</sup> |     | 156               |                |                | B(0) <sup>u</sup> | X <sup>1</sup> | X <sup>2</sup> |   |   |   |
| 1                                       |   | B(0) <sup>u</sup> | X <sup>1</sup> | X <sup>2</sup> |   |   |   |   | 53  |   | X <sup>1</sup> | X <sup>2</sup> |   |                   |   |  | B(0) <sup>u</sup> | 105  |                   | X <sup>2</sup>    |      |                |   | B(0) <sup>u</sup>                          | X <sup>1</sup> |     | 157               |                |                | B(0) <sup>u</sup> | X <sup>1</sup> | X <sup>2</sup> |   |   |   |
| 2                                       |   | B(0) <sup>u</sup> | X <sup>1</sup> | X <sup>2</sup> |   |   |   |   | 54  |   | X <sup>1</sup> | X <sup>2</sup> |   |                   |   |  | B(0) <sup>u</sup> | 106  |                   | X <sup>2</sup>    |      |                |   | B(0) <sup>u</sup>                          | X <sup>1</sup> |     | 158               |                |                | B(0) <sup>u</sup> | X <sup>1</sup> | X <sup>2</sup> |   |   |   |
| 3                                       |   | B(0) <sup>u</sup> | X <sup>1</sup> | X <sup>2</sup> |   |   |   |   | 55  |   | X <sup>1</sup> | X <sup>2</sup> |   |                   |   |  | B(0) <sup>u</sup> | 107  |                   | X <sup>2</sup>    |      |                |   | B(0) <sup>u</sup>                          | X <sup>1</sup> |     | 159               |                |                | B(0) <sup>u</sup> | X <sup>1</sup> | X <sup>2</sup> |   |   |   |
| 4                                       |   |                   |                |                |   |   |   |   | 56  |   |                |                |   |                   |   |  |                   | 108  |                   |                   |      |                |   |  |                |     | 160               |                |                |                   |                |                |   |   |   |
| 5                                       |   |                   |                |                |   |   |   |   | 57  |   |                |                |   |                   |   |  |                   | 109  |                   |                   |      |                |   |  |                |     | 161               |                |                |                   |                |                |   |   |   |
| 6                                       |   |                   |                |                |   |   |   |   | 58  |   |                |                |   |                   |   |  |                   | 110  |                   |                   |      |                |   |  |                |     | 162               |                |                |                   |                |                |   |   |   |
| 7                                       |   |                   |                |                |   |   |   |   | 59  |   |                |                |   |                   |   |  |                   | 111  |                   |                   |      |                |   |  |                |     | 163               |                |                |                   |                |                |   |   |   |
| 8                                       |   |                   |                |                |   |   |   |   | 60  |   |                |                |   |                   |   |  |                   | 112  |                   |                   |      |                |   |  |                |     | 164               |                |                |                   |                |                |   |   |   |
| 9                                       |   |                   |                |                |   |   |   |   | 61  |   |                |                |   |                   |   |  |                   | 113  |                   |                   |      |                |   |  |                |     | 165               |                |                |                   |                |                |   |   |   |
| 10                                      |   |                   |                |                |   |   |   |   | 62  |   |                |                |   |                   |   |  |                   | 114  |                   |                   |      |                |   |  |                |     | 166               |                |                |                   |                |                |   |   |   |
| 11                                      |   |                   |                |                |   |   |   |   | 63  |   |                |                |   |                   |   |  |                   | 115  |                   |                   |      |                |   |  |                |     | 167               |                |                |                   |                |                |   |   |   |
| 12                                      |   |                   |                |                |   |   |   |   | 64  |   |                |                |   |                   |   |  |                   | 116  |                   |                   |      |                |   |  |                |     | 168               |                |                |                   |                |                |   |   |   |
| 13                                      |   | X <sup>1</sup>    | X <sup>2</sup> |                |   |   |   | C(3) <sup>u</sup>                         | 65  |   | X <sup>2</sup> |                |   | C(3) <sup>u</sup> |   | X <sup>1</sup>                             | 117               |      |                   | C(3) <sup>u</sup> |      | X <sup>1</sup> |   | X <sup>2</sup>                             | 169            |     | C(3) <sup>u</sup> | X <sup>1</sup> | X <sup>2</sup> |                   |                |                |   |   |   |
| 14                                      |   | X <sup>1</sup>    | X <sup>2</sup> |                |   |   |   | C(3) <sup>u</sup>                         | 66  |   | X <sup>2</sup> |                |   | C(3) <sup>u</sup> |   | X <sup>1</sup>                             | 118               |      |                   | C(3) <sup>u</sup> |      | X <sup>1</sup> |   | X <sup>2</sup>                             | 170            |     | C(3) <sup>u</sup> | X <sup>1</sup> | X <sup>2</sup> |                   |                |                |   |   |   |
| 15                                      |   | X <sup>1</sup>    | X <sup>2</sup> |                |   |   |   | C(3) <sup>u</sup>                         | 67  |   | X <sup>2</sup> |                |   | C(3) <sup>u</sup> |   | X <sup>1</sup>                             | 119               |      |                   | C(3) <sup>u</sup> |      | X <sup>1</sup> |   | X <sup>2</sup>                             | 171            |     | C(3) <sup>u</sup> | X <sup>1</sup> | X <sup>2</sup> |                   |                |                |   |   |   |
| 16                                      |   | X <sup>1</sup>    | X <sup>2</sup> |                |   |   |   | C(3) <sup>u</sup>                         | 68  |   | X <sup>2</sup> |                |   | C(3) <sup>u</sup> |   | X <sup>1</sup>                             | 120               |      |                   | C(3) <sup>u</sup> |      | X <sup>1</sup> |   | X <sup>2</sup>                             | 172            |     | C(3) <sup>u</sup> | X <sup>1</sup> | X <sup>2</sup> |                   |                |                |   |   |   |
| 17                                      |   |                   |                |                |   |   |   |   | 69  |   |                |                |   |                   |   |  | 121               |      |                   |                   |      |                |   |  |                | 173 |                   |                |                |                   |                |                |   |   |   |
| 18                                      |   |                   |                |                |   |   |   |   | 70  |   |                |                |   |                   |   |  | 122               |      |                   |                   |      |                |   |  |                | 174 |                   |                |                |                   |                |                |   |   |   |
| 19                                      |   |                   |                |                |   |   |   |   | 71  |   |                |                |   |                   |   |  | 123               |      |                   |                   |      |                |   |  |                | 175 |                   |                |                |                   |                |                |   |   |   |
| 20                                      |   |                   |                |                |   |   |   |   | 72  |   |                |                |   |                   |   |  | 124               |      |                   |                   |      |                |   |  |                | 176 |                   |                |                |                   |                |                |   |   |   |
| 21                                      |   |                   |                |                |   |   |   |   | 73  |   |                |                |   |                   |   |  | 125               |      |                   |                   |      |                |   |  |                | 177 |                   |                |                |                   |                |                |   |   |   |
| 22                                      |   |                   |                |                |   |   |   |   | 74  |   |                |                |   |                   |   |  | 126               |      |                   |                   |      |                |   |  |                | 178 |                   |                |                |                   |                |                |   |   |   |
| 23                                      |   |                   |                |                |   |   |   |   | 75  |   |                |                |   |                   |   |  | 127               |      |                   |                   |      |                |   |  |                | 179 |                   |                |                |                   |                |                |   |   |   |
| 24                                      |   |                   |                |                |   |   |   |   | 76  |   |                |                |   |                   |   |  | 128               |      |                   |                   |      |                |   |  |                | 180 |                   |                |                |                   |                |                |   |   |   |
| 25                                      |   |                   |                |                |   |   |   | CFCH <sup>u</sup>                         | 77  |   |                |                |   |                   |   |  | 129               | IDLE | CFCH <sup>u</sup> |                   | IDLE |                |   |  | 181            | ID  | CFCH <sup>u</sup> |                | IDLE           |                   |                |                |   |   |   |
| 26                                      |   | X <sup>1</sup>    | X <sup>2</sup> |                |   |   |   | C(6) <sup>u</sup>                         | 78  |   | X <sup>2</sup> |                |   | C(6) <sup>u</sup> |   | X <sup>1</sup>                             | 130               |      |                   | C(6) <sup>u</sup> |      | X <sup>1</sup> |   | X <sup>2</sup>                             | 182            |     | C(6) <sup>u</sup> | X <sup>1</sup> | X <sup>2</sup> |                   |                |                |   |   |   |
| 27                                      |   | X <sup>1</sup>    | X <sup>2</sup> |                |   |   |   | C(6) <sup>u</sup>                         | 79  |   | X <sup>2</sup> |                |   | C(6) <sup>u</sup> |   | X <sup>1</sup>                             | 131               |      |                   | C(6) <sup>u</sup> |      | X <sup>1</sup> |   | X <sup>2</sup>                             | 183            |     | C(6) <sup>u</sup> | X <sup>1</sup> | X <sup>2</sup> |                   |                |                |   |   |   |
| 28                                      |   | X <sup>1</sup>    | X <sup>2</sup> |                |   |   |   | C(6) <sup>u</sup>                         | 80  |   | X <sup>2</sup> |                |   | C(6) <sup>u</sup> |   | X <sup>1</sup>                             | 132               |      |                   | C(6) <sup>u</sup> |      | X <sup>1</sup> |   | X <sup>2</sup>                             | 184            |     | C(6) <sup>u</sup> | X <sup>1</sup> | X <sup>2</sup> |                   |                |                |   |   |   |
| 29                                      |   | X <sup>1</sup>    | X <sup>2</sup> |                |   |   |   | C(6) <sup>u</sup>                         | 81  |   | X <sup>2</sup> |                |   | C(6) <sup>u</sup> |   | X <sup>1</sup>                             | 133               |      |                   | C(6) <sup>u</sup> |      | X <sup>1</sup> |   | X <sup>2</sup>                             | 185            |     | C(6) <sup>u</sup> | X <sup>1</sup> | X <sup>2</sup> |                   |                |                |   |   |   |
| 30                                      |   |                   |                |                |   |   |   |   | 82  |   |                |                |   |                   |   |  | 134               |      |                   |                   |      |                |   |  | 186            |     |                   |                |                |                   |                |                |   |   |   |
| 31                                      |   |                   |                |                |   |   |   |   | 83  |   |                |                |   |                   |   |  | 135               |      |                   |                   |      |                |   |  | 187            |     |                   |                |                |                   |                |                |   |   |   |
| 32                                      |   |                   |                |                |   |   |   |   | 84  |   |                |                |   |                   |   |  | 136               |      |                   |                   |      |                |   |  | 188            |     |                   |                |                |                   |                |                |   |   |   |
| 33                                      |   |                   |                |                |   |   |   |   | 85  |   |                |                |   |                   |   |  | 137               |      |                   |                   |      |                |   |  | 189            |     |                   |                |                |                   |                |                |   |   |   |
| 34                                      |   |                   |                |                |   |   |   |   | 86  |   |                |                |   |                   |   |  | 138               |      |                   |                   |      |                |   |  | 190            |     |                   |                |                |                   |                |                |   |   |   |
| 35                                      |   |                   |                |                |   |   |   |   | 87  |   |                |                |   |                   |   |  | 139               |      |                   |                   |      |                |   |  | 191            |     |                   |                |                |                   |                |                |   |   |   |
| 36                                      |   |                   |                |                |   |   |   |   | 88  |   |                |                |   |                   |   |  | 140               |      |                   |                   |      |                |   |  | 192            |     |                   |                |                |                   |                |                |   |   |   |
| 37                                      |   |                   |                |                |   |   |   |   | 89  |   |                |                |   |                   |   |  | 141               |      |                   |                   |      |                |   |  | 193            |     |                   |                |                |                   |                |                |   |   |   |
| 38                                      |   |                   |                |                |   |   |   |   | 90  |   |                |                |   |                   |   |  | 142               |      |                   |                   |      |                |   |  | 194            |     |                   |                |                |                   |                |                |   |   |   |
| 39                                      |   | X <sup>1</sup>    | X <sup>2</sup> |                |   |   |   | C(9) <sup>u</sup>                         | 91  |   | X <sup>2</sup> |                |   | C(9) <sup>u</sup> |   | X <sup>1</sup>                             | 143               |      |                   | C(9) <sup>u</sup> |      | X <sup>1</sup> |   | X <sup>2</sup>                             | 195            |     | C(9) <sup>u</sup> | X <sup>1</sup> | X <sup>2</sup> |                   |                |                |   |   |   |
| 40                                      |   | X <sup>1</sup>    | X <sup>2</sup> |                |   |   |   | C(9) <sup>u</sup>                         | 92  |   | X <sup>2</sup> |                |   | C(9) <sup>u</sup> |   | X <sup>1</sup>                             | 144               |      |                   | C(9) <sup>u</sup> |      | X <sup>1</sup> |   | X <sup>2</sup>                             | 196            |     | C(9) <sup>u</sup> | X <sup>1</sup> | X <sup>2</sup> |                   |                |                |   |   |   |
| 41                                      |   | X <sup>1</sup>    | X <sup>2</sup> |                |   |   |   | C(9) <sup>u</sup>                         | 93  |   | X <sup>2</sup> |                |   | C(9) <sup>u</sup> |   | X <sup>1</sup>                             | 145               |      |                   | C(9) <sup>u</sup> |      | X <sup>1</sup> |   | X <sup>2</sup>                             | 197            |     | C(9) <sup>u</sup> | X <sup>1</sup> | X <sup>2</sup> |                   |                |                |   |   |   |
| 42                                      |   | X <sup>1</sup>    | X <sup>2</sup> |                |   |   |   | C(9) <sup>u</sup>                         | 94  |   | X <sup>2</sup> |                |   | C(9) <sup>u</sup> |   | X <sup>1</sup>                             | 146               |      |                   | C(9) <sup>u</sup> |      | X <sup>1</sup> |   | X <sup>2</sup>                             | 198            |     | C(9) <sup>u</sup> | X <sup>1</sup> | X <sup>2</sup> |                   |                |                |   |   |   |
| 43                                      |   |                   |                |                |   |   |   |   | 95  |   |                |                |   |                   |   |  | 147               |      |                   |                   |      |                |   |  | 199            |     |                   |                |                |                   |                |                |   |   |   |
| 44                                      |   |                   |                |                |   |   |   |   | 96  |   |                |                |   |                   |   |  | 148               |      |                   |                   |      |                |   |  | 200            |     |                   |                |                |                   |                |                |   |   |   |
| 45                                      |   |                   |                |                |   |   |   |   | 97  |   |                |                |   |                   |   |  | 149               |      |                   |                   |      |                |   |  | 201            |     |                   |                |                |                   |                |                |   |   |   |
| 46                                      |   |                   |                |                |   |   |   |   | 98  |   |                |                |   |                   |   |  | 150               |      |                   |                   |      |                |   |  | 202            |     |                   |                |                |                   |                |                |   |   |   |
| 47                                      |   |                   |                |                |   |   |   |   | 99  |   |                |                |   |                   |   |  | 151               |      |                   |                   |      |                |   |  | 203            |     |                   |                |                |                   |                |                |   |   |   |
| 48                                      |   |                   |                |                |   |   |   |   | 100 |   |                |                |   |                   |   |  | 152               |      |                   |                   |      |                |   |  | 204            |     |                   |                |                |                   |                |                |   |   |   |
| 49                                      |   |                   |                |                |   |   |   |   | 101 |   |                |                |   |                   |   |  | 153               |      |                   |                   |      |                |   |  | 205            |     |                   |                |                |                   |                |                |   |   |   |
| 50                                      |   |                   |                |                |   |   |   |   | 102 |   |                |                |   |                   |   |  | 154               |      |                   |                   |      |                |   |  | 206            |     |                   |                |                |                   |                |                |   |   |   |
| 51                                      |   |                   |                |                |   |   |   | CSCH <sup>u</sup>                         | 103 |   |                |                |   |                   |   |  | 155               |      |                   |                   |      |                |   |  | 207            | ID  | CSCH <sup>u</sup> |                | IDLE           |                   |                |                |   |   |   |

Figure D.6: Example of COMPACT downlink timeslot mapping and rotation of control channels using 3 time groups for nominal cells (based on an assignment of 1 CPBCCCH and 3 CPCCCHs with NIB\_CCCH\_0 = NIB\_CCCH\_1 = NIB\_CCCH\_2 = 4, NIB\_CCCH\_3 = 0). TG = 0 is illustrated. NIB\_CCCH is not broadcast for serving cell time group

NOTE: For uplink 52-multiframe structure (based on an assignment of 16 prioritized CPRACHs, see subclause 6.3.2.2.3a), replace B( ) by R( ) where R( ) denotes CPRACH, move down one block, and rotate according to subclause 6.3.2.1. Replace C( ) by R( ) and move down one block. CPRACH in general can be mapped as PRACH in Clause 7 Table 6.

| Frames 0-51 of a 208-multiframe<br>MFN = 0 |                   |                |                |                |   |   |   | Frames 52-103 of a 208-multiframe<br>MFN = 1 |     |                |                |                |   |   |   | Frames 104-155 of a 208-multiframe<br>MFN = 2 |   |     |                |                |                   |                |   | Frames 156-207 of a 208-multiframe<br>MFN = 3 |   |   |     |                |                   |                |                |   |   |   |   |
|--|-------------------|----------------|----------------|----------------|---|---|---|--|-----|----------------|----------------|----------------|---|---|---|---|---|-----|----------------|----------------|-------------------|----------------|---|---|---|---|-----|----------------|-------------------|----------------|----------------|---|---|---|---|
| TS   | 0                 | 1              | 2              | 3              | 4 | 5 | 6 | 7  | TS  | 0              | 1              | 2              | 3 | 4 | 5 | 6   | 7 | TS  | 0              | 1              | 2                 | 3              | 4 | 5   | 6 | 7 | TS  | 0              | 1                 | 2              | 3              | 4 | 5 | 6 | 7 |
| FN   |                   |                |                |                |   |   |   |  | FN  |                |                |                |   |   |   |   |   | FN  |                |                |                   |                |   |   |   |   | FN  |                |                   |                |                |   |   |   |   |
| 0  | B(0) <sup>u</sup> | X <sup>1</sup> | X <sup>2</sup> | X <sup>3</sup> |   |   |   |  | 52  | X <sup>1</sup> | X <sup>2</sup> | X <sup>3</sup> |   |   |   | B(0) <sup>u</sup>                             |   | 104 | X <sup>2</sup> | X <sup>3</sup> | B(0) <sup>u</sup> | X <sup>1</sup> |   |   |   |   | 156 | X <sup>3</sup> | B(0) <sup>u</sup> | X <sup>1</sup> | X <sup>2</sup> |   |   |   |   |
| 1  | B(0) <sup>u</sup> | X <sup>1</sup> | X <sup>2</sup> | X <sup>3</sup> |   |   |   |  | 53  | X <sup>1</sup> | X <sup>2</sup> | X <sup>3</sup> |   |   |   | B(0) <sup>u</sup>                             |   | 105 | X <sup>2</sup> | X <sup>3</sup> | B(0) <sup>u</sup> | X <sup>1</sup> |   |   |   |   | 157 | X <sup>3</sup> | B(0) <sup>u</sup> | X <sup>1</sup> | X <sup>2</sup> |   |   |   |   |
| 2  | B(0) <sup>u</sup> | X <sup>1</sup> | X <sup>2</sup> | X <sup>3</sup> |   |   |   |  | 54  | X <sup>1</sup> | X <sup>2</sup> | X <sup>3</sup> |   |   |   | B(0) <sup>u</sup>                             |   | 106 | X <sup>2</sup> | X <sup>3</sup> | B(0) <sup>u</sup> | X <sup>1</sup> |   |   |   |   | 158 | X <sup>3</sup> | B(0) <sup>u</sup> | X <sup>1</sup> | X <sup>2</sup> |   |   |   |   |
| 3  | B(0) <sup>u</sup> | X <sup>1</sup> | X <sup>2</sup> | X <sup>3</sup> |   |   |   |  | 55  | X <sup>1</sup> | X <sup>2</sup> | X <sup>3</sup> |   |   |   | B(0) <sup>u</sup>                             |   | 107 | X <sup>2</sup> | X <sup>3</sup> | B(0) <sup>u</sup> | X <sup>1</sup> |   |   |   |   | 159 | X <sup>3</sup> | B(0) <sup>u</sup> | X <sup>1</sup> | X <sup>2</sup> |   |   |   |   |
| 4  | X <sup>1</sup>    |                |                |                |   |   |   |  | 56  |                |                |                |   |   |   | X <sup>1</sup>                                |   | 108 |                |                | X <sup>1</sup>    |                |   |   |   |   | 160 |                | X <sup>1</sup>    |                |                |   |   |   |   |
| 5  | X <sup>1</sup>    |                |                |                |   |   |   |  | 57  |                |                |                |   |   |   | X <sup>1</sup>                                |   | 109 |                |                | X <sup>1</sup>    |                |   |   |   |   | 161 |                | X <sup>1</sup>    |                |                |   |   |   |   |
| 6  | X <sup>1</sup>    |                |                |                |   |   |   |  | 58  |                |                |                |   |   |   | X <sup>1</sup>                                |   | 110 |                |                | X <sup>1</sup>    |                |   |   |   |   | 162 |                | X <sup>1</sup>    |                |                |   |   |   |   |
| 7  | X <sup>1</sup>    |                |                |                |   |   |   |  | 59  |                |                |                |   |   |   | X <sup>1</sup>                                |   | 111 |                |                | X <sup>1</sup>    |                |   |   |   |   | 163 |                | X <sup>1</sup>    |                |                |   |   |   |   |
| 8  |                   |                |                |                |   |   |   |  | 60  |                |                |                |   |   |   |   |   | 112 |                |                |                   |                |   |   |   |   | 164 |                |                   |                |                |   |   |   |   |
| 9  |                   |                |                |                |   |   |   |  | 61  |                |                |                |   |   |   |   |   | 113 |                |                |                   |                |   |   |   |   | 165 |                |                   |                |                |   |   |   |   |
| 10   |                   |                |                |                |   |   |   |  | 62  |                |                |                |   |   |   |   |   | 114 |                |                |                   |                |   |   |   |   | 166 |                |                   |                |                |   |   |   |   |
| 11   |                   |                |                |                |   |   |   |  | 63  |                |                |                |   |   |   |   |   | 115 |                |                |                   |                |   |   |   |   | 167 |                |                   |                |                |   |   |   |   |
| 12   |                   |                |                |                |   |   |   |  | 64  |                |                |                |   |   |   |   |   | 116 |                |                |                   |                |   |   |   |   | 168 |                |                   |                |                |   |   |   |   |
| 13   |                   |                |                |                |   |   |   |  | 65  |                |                |                |   |   |   |   |   | 117 |                |                |                   |                |   |   |   |   | 169 |                |                   |                |                |   |   |   |   |
| 14   |                   |                |                |                |   |   |   |  | 66  |                |                |                |   |   |   |   |   | 118 |                |                |                   |                |   |   |   |   | 170 |                |                   |                |                |   |   |   |   |
| 15   |                   |                |                |                |   |   |   |  | 67  |                |                |                |   |   |   |   |   | 119 |                |                |                   |                |   |   |   |   | 171 |                |                   |                |                |   |   |   |   |
| 16   |                   |                |                |                |   |   |   |  | 68  |                |                |                |   |   |   |   |   | 120 |                |                |                   |                |   |   |   |   | 172 |                |                   |                |                |   |   |   |   |
| 17   |                   |                |                |                |   |   |   |  | 69  |                |                |                |   |   |   |   |   | 121 |                |                |                   |                |   |   |   |   | 173 |                |                   |                |                |   |   |   |   |
| 18   |                   |                |                |                |   |   |   |  | 70  |                |                |                |   |   |   |   |   | 122 |                |                |                   |                |   |   |   |   | 174 |                |                   |                |                |   |   |   |   |
| 19   |                   |                |                |                |   |   |   |  | 71  |                |                |                |   |   |   |   |   | 123 |                |                |                   |                |   |   |   |   | 175 |                |                   |                |                |   |   |   |   |
| 20   |                   |                |                |                |   |   |   |  | 72  |                |                |                |   |   |   |   |   | 124 |                |                |                   |                |   |   |   |   | 176 |                |                   |                |                |   |   |   |   |
| 21   |                   |                |                |                |   |   |   |  | 73  |                |                |                |   |   |   |   |   | 125 |                |                |                   |                |   |   |   |   | 177 |                |                   |                |                |   |   |   |   |
| 22   |                   |                |                |                |   |   |   |  | 74  |                |                |                |   |   |   |   |   | 126 |                |                |                   |                |   |   |   |   | 178 |                |                   |                |                |   |   |   |   |
| 23   |                   |                |                |                |   |   |   |  | 75  |                |                |                |   |   |   |   |   | 127 |                |                |                   |                |   |   |   |   | 179 |                |                   |                |                |   |   |   |   |
| 24   |                   |                |                |                |   |   |   |  | 76  |                |                |                |   |   |   |   |   | 128 |                |                |                   |                |   |   |   |   | 180 |                |                   |                |                |   |   |   |   |
| 25   |                   |                |                |                |   |   |   |  | 77  |                |                |                |   |   |   |   |   | 129 |                |                |                   |                |   |   |   |   | 181 |                |                   |                |                |   |   |   |   |
| 26   |                   |                |                |                |   |   |   |  | 78  |                |                |                |   |   |   |   |   | 130 |                |                |                   |                |   |   |   |   | 182 |                |                   |                |                |   |   |   |   |
| 27   |                   |                |                |                |   |   |   |  | 79  |                |                |                |   |   |   |   |   | 131 |                |                |                   |                |   |   |   |   | 183 |                |                   |                |                |   |   |   |   |
| 28   |                   |                |                |                |   |   |   |  | 80  |                |                |                |   |   |   |   |   | 132 |                |                |                   |                |   |   |   |   | 184 |                |                   |                |                |   |   |   |   |
| 29   |                   |                |                |                |   |   |   |  | 81  |                |                |                |   |   |   |   |   | 133 |                |                |                   |                |   |   |   |   | 185 |                |                   |                |                |   |   |   |   |
| 30   |                   |                |                |                |   |   |   |  | 82  |                |                |                |   |   |   |   |   | 134 |                |                |                   |                |   |   |   |   | 186 |                |                   |                |                |   |   |   |   |
| 31   |                   |                |                |                |   |   |   |  | 83  |                |                |                |   |   |   |   |   | 135 |                |                |                   |                |   |   |   |   | 187 |                |                   |                |                |   |   |   |   |
| 32   |                   |                |                |                |   |   |   |  | 84  |                |                |                |   |   |   |   |   | 136 |                |                |                   |                |   |   |   |   | 188 |                |                   |                |                |   |   |   |   |
| 33   |                   |                |                |                |   |   |   |  | 85  |                |                |                |   |   |   |   |   | 137 |                |                |                   |                |   |   |   |   | 189 |                |                   |                |                |   |   |   |   |
| 34   |                   |                |                |                |   |   |   |  | 86  |                |                |                |   |   |   |   |   | 138 |                |                |                   |                |   |   |   |   | 190 |                |                   |                |                |   |   |   |   |
| 35   |                   |                |                |                |   |   |   |  | 87  |                |                |                |   |   |   |   |   | 139 |                |                |                   |                |   |   |   |   | 191 |                |                   |                |                |   |   |   |   |
| 36   |                   |                |                |                |   |   |   |  | 88  |                |                |                |   |   |   |   |   | 140 |                |                |                   |                |   |   |   |   | 192 |                |                   |                |                |   |   |   |   |
| 37   |                   |                |                |                |   |   |   |  | 89  |                |                |                |   |   |   |   |   | 141 |                |                |                   |                |   |   |   |   | 193 |                |                   |                |                |   |   |   |   |
| 38   |                   |                |                |                |   |   |   |  | 90  |                |                |                |   |   |   |   |   | 142 |                |                |                   |                |   |   |   |   | 194 |                |                   |                |                |   |   |   |   |
| 39   |                   |                |                |                |   |   |   |  | 91  |                |                |                |   |   |   |   |   | 143 |                |                |                   |                |   |   |   |   | 195 |                |                   |                |                |   |   |   |   |
| 40   |                   |                |                |                |   |   |   |  | 92  |                |                |                |   |   |   |   |   | 144 |                |                |                   |                |   |   |   |   | 196 |                |                   |                |                |   |   |   |   |
| 41   |                   |                |                |                |   |   |   |  | 93  |                |                |                |   |   |   |   |   | 145 |                |                |                   |                |   |   |   |   | 197 |                |                   |                |                |   |   |   |   |
| 42   |                   |                |                |                |   |   |   |  | 94  |                |                |                |   |   |   |   |   | 146 |                |                |                   |                |   |   |   |   | 198 |                |                   |                |                |   |   |   |   |
| 43   |                   |                |                |                |   |   |   |  | 95  |                |                |                |   |   |   |   |   | 147 |                |                |                   |                |   |   |   |   | 199 |                |                   |                |                |   |   |   |   |
| 44   |                   |                |                |                |   |   |   |  | 96  |                |                |                |   |   |   |   |   | 148 |                |                |                   |                |   |   |   |   | 200 |                |                   |                |                |   |   |   |   |
| 45   |                   |                |                |                |   |   |   |  | 97  |                |                |                |   |   |   |   |   | 149 |                |                |                   |                |   |   |   |   | 201 |                |                   |                |                |   |   |   |   |
| 46   |                   |                |                |                |   |   |   |  | 98  |                |                |                |   |   |   |   |   | 150 |                |                |                   |                |   |   |   |   | 202 |                |                   |                |                |   |   |   |   |
| 47   |                   |                |                |                |   |   |   |  | 99  |                |                |                |   |   |   |   |   | 151 |                |                |                   |                |   |   |   |   | 203 |                |                   |                |                |   |   |   |   |
| 48   |                   |                |                |                |   |   |   |  | 100 |                |                |                |   |   |   |   |   | 152 |                |                |                   |                |   |   |   |   | 204 |                |                   |                |                |   |   |   |   |
| 49   |                   |                |                |                |   |   |   |  | 101 |                |                |                |   |   |   |   |   | 153 |                |                |                   |                |   |   |   |   | 205 |                |                   |                |                |   |   |   |   |
| 50   |                   |                |                |                |   |   |   |  | 102 |                |                |                |   |   |   |   |   | 154 |                |                |                   |                |   |   |   |   | 206 |                |                   |                |                |   |   |   |   |
| 51   |                   |                |                |                |   |   |   |  | 103 |                |                |                |   |   |   |   |   | 155 |                |                |                   |                |   |   |   |   | 207 |                |                   |                |                |   |   |   |   |

Figure D.7: Example of COMPACT downlink timeslot mapping and rotation of control channels using 4 time groups for nominal cells (based on an assignment of 1 CPBCC and 3 CPCCCHs with NIB\_CCCH\_0 = NIB\_CCCH\_2 = NIB\_CCCH\_3 = 4, NIB\_CCCH\_1 = 5). TG = 0 is illustrated. NIB\_CCCH is not broadcast for serving cell time group

NOTE: For uplink 52-multiframe structure (based on an assignment of 16 prioritized CPRACHs, see subclause 6.3.2.2.3a), replace B( ) by R( ) where R( ) denotes CPRACH, move down one block, and rotate according to subclause 6.3.2.1. Replace C( ) by R( ) and move down one block. CPRACH in general can be mapped as PRACH in Clause 7 Table 6.

## Annex E (informative): Change history

| SPEC  | SMG# | CR   | PH  | VERS   | NEW_VERS | SUBJECT  |
|-------|------|------|-----|--------|----------|--|
| 05.02 | s24  | A020 | R97 | 5.5.0A | 6.0.0    | Corrections and clarifications to GPRS                             |
| 05.02 | s24  | A021 | R97 | 5.5.0A | 6.0.0    | Multislot classes for GPRS   |
| 05.02 | s24  | A022 | R97 | 5.5.0A | 6.0.0    | System information for GPRS on BCCH                                |
| 05.02 | s24  | A023 | R97 | 5.5.0A | 6.0.0    | Alignment of 51- and 52-multiframe PCCCH                           |
| 05.02 | s25  | A025 | R97 | 6.0.1  | 6.1.0    | Corrections to the GPRS sleep mode                                 |
| 05.02 | s25  | A026 | R97 | 6.0.1  | 6.1.0    | Clarification of the definition of multislot classes               |
| 05.02 | s25  | A030 | R97 | 6.0.1  | 6.1.0    | 14.4kbps Data Service  |
| 05.02 | s25  | A034 | R97 | 6.0.1  | 6.1.0    | Indication of PACCH logical channel type                           |
| 05.02 | s25  | A035 | R97 | 6.0.1  | 6.1.0    | Renaming of GPRS RR states   |
| 05.02 | s25  | A036 | R97 | 6.0.1  | 6.1.0    | USF granularity for dynamic allocation                             |
| 05.02 | s26  | A033 | R97 | 6.1.0  | 6.2.0    | GPRS SI message mapping  |
| 05.02 | s26  | A037 | R97 | 6.1.0  | 6.2.0    | Mapping of PACCH   |
| 05.02 | s26  | A039 | R97 | 6.1.0  | 6.2.0    | Mapping of SI 2 and SI 2ter on BCCH                                |
| 05.02 | s27  | A041 | R97 | 6.2.0  | 6.3.0    | Clarification on PTCCH/U mapping                                   |
| 05.02 | s27  | A042 | R97 | 6.2.0  | 6.3.0    | Clarification on mapping PCCCH                                     |
| 05.02 | s27  | A043 | R97 | 6.2.0  | 6.3.0    | MS multislot classes and GPRS dynamic allocations                  |
| 05.02 | s28  | A045 | R97 | 6.3.0  | 6.4.0    | Removal of System Information Type 14                              |
| 05.02 | s28  | A052 | R97 | 6.3.0  | 6.4.0    | Schedule for packet System Information message on PBCCH            |
| 05.02 | s28  | A054 | R97 | 6.3.0  | 6.4.0    | Editorial correction to 05.02                                      |
| 05.02 | s28  | A055 | R97 | 6.3.0  | 6.4.0    | Improvements of PRS paging blocks scheduling                       |
| 05.02 | s28  | A057 | R97 | 6.3.0  | 6.4.0    | 51-multiframe PBCCH  |
| 05.02 | s28  | A060 | R97 | 6.3.0  | 6.4.0    | Clarification to the multislot configurations for GPRS             |
| 05.02 | s28  | A061 | R97 | 6.3.0  | 6.4.0    | Clarification to the PTCCH mapping                                 |
| 05.02 | s28  | A064 | R97 | 6.3.0  | 6.4.0    | Removal of inconsistency in Table 7                                |
| 05.02 | s28  | A048 | R98 | 6.4.0  | 7.0.0    | Introduction of specific training sequences for CTS Synchr. bursts |
| 05.02 | s28  | A049 | R98 | 6.4.0  | 7.0.0    | Introduction of CTS in 05.02                                       |
| 05.02 | s28  | A050 | R98 | 6.4.0  | 7.0.0    | CTS Frequency Hopping Algorithm                                    |
| 05.02 | s29  | A047 | R98 | 7.0.0  | 7.1.0    | Addition of SoLSA functionality                                    |
| 05.02 | s29  | A065 | R98 | 7.0.0  | 7.1.0    | Editorial modification to GSM 05.02                                |
| 05.02 | s29  | A066 | R98 | 7.0.0  | 7.1.0    | Correction of TFH carrier list                                     |
| 05.02 | s29  | A067 | R98 | 7.0.0  | 7.1.0    | Training sequence code of normal bursts for CTS control channel    |
| 05.02 | s29  | A070 | R98 | 7.0.0  | 7.1.0    | Removal of SI15 references   |
| 05.02 | s29  | A071 | R98 | 7.0.0  | 7.1.0    | Deleting 51-multiframe PBCCH                                       |
| 05.02 | s29  | A072 | R98 | 7.0.0  | 7.1.0    | Modification of CTSARCH operation                                  |
| 05.02 | s29  | A077 | R98 | 7.0.0  | 7.1.0    | Correction to non-drx period and SPLIT_PG_CYCLE limitations        |
| 05.02 | s29  | A046 | R99 | 7.1.0  | 8.0.0    | Introduction of 8-PSK burst format                                 |
| 05.02 | s29  | A074 | R99 | 7.1.0  | 8.0.1    | 05.02 changes for ECSD FACCH                                       |
| 05.02 | s30  | A080 | R99 | 8.0.1  | 8.1.0    | Introduction of AMR and EFR Traffic Channels                       |
| 05.02 | s30  | A081 | R99 | 8.0.1  | 8.1.0    | Non-GSM Broadcast Information                                      |
| 05.02 | s30  | A082 | R99 | 8.0.1  | 8.1.0    | EDGE Compact Cell Reselection                                      |
| 05.02 | s30  | A083 | R99 | 8.0.1  | 8.1.0    | New training sequences for Access Burst due to EGPRS               |
| 05.02 | s30  | A084 | R99 | 8.0.1  | 8.1.0    | Introduction of Fast Power Control for ECSD in 05.02               |
| 05.02 | s30  | A085 | R99 | 8.0.1  | 8.1.0    | EDGE Compact logical channels                                      |
| 05.02 | s30  | A098 | R99 | 8.0.1  | 8.1.0    | Mapping of PAGCH   |
| 05.02 | s30  | A101 | R99 | 8.0.1  | 8.1.0    | Clarification pf DRX   |
| 05.02 | s30  | A103 | R99 | 8.0.1  | 8.1.0    | Correction when sending SI 16 and 17                               |
| 05.02 | s30b | A095 | R99 | 8.1.0  | 8.2.0    | MS multislot resource restriction in extended TA cells             |
| 05.02 | s30b | A106 | R99 | 8.1.0  | 8.2.0    | Clarification of fixed allocated PRACH                             |
| 05.02 | s30b | A107 | R99 | 8.1.0  | 8.2.0    | COMPACT Logical Channels   |
| 05.02 | s30b | A109 | R99 | 8.1.0  | 8.2.0    | Extended Training Sequence Code C-ETSC specific to                 |

| SPEC   | SMG#   | CR   | PH  | VERS  | NEW_VERS | SUBJECT   |
|--------|--------|------|-----|-------|----------|---|
|        |        |      |     |       |          | COMPACT synchronization bursts only   |
| 05.02  | s30b   | A110 | R99 | 8.1.0 | 8.2.0    | Support of Slow Frequency Hopping for COMPACT   |
| 05.02  | s30b   | A111 | R99 | 8.1.0 | 8.2.0    | Synchronization of 52-multiframes in EGPRS COMPACT  |
| 05.02  | s30b   | A114 | R99 | 8.1.0 | 8.2.0    | Bi-directional channels in case of multi slot   |
| 05.02  | s30b   | A117 | R99 | 8.1.0 | 8.2.0    | Clarification of multislot configuration  |
| 05.02  | s30b   | A119 | R99 | 8.1.0 | 8.2.0    | Training Sequence to support LCS and specification of 8-PSK modulated normal bursts for compatibility with future releases, mirror CR to R'98 |
| 05.02  | s30b   | A120 | R99 | 8.1.0 | 8.2.0    | Compact FCCH  |
| 05.02  | s31    | A123 | R99 | 8.2.0 | 8.3.0    | PTCCH block numbering   |
| 05.02  | s31    | A126 | R99 | 8.2.0 | 8.3.0    | Correction of BS_PRACH_BLKs range   |
| 05.02  | s31    | A127 | R99 | 8.2.0 | 8.3.0    | COMPACT interference measurements   |
| 05.02  | s31    | A128 | R99 | 8.2.0 | 8.3.0    | Timegroup rotation and NIB Clarification  |
| 05.02  | s31    | A129 | R99 | 8.2.0 | 8.3.0    | Clarifications in 05.02   |
| 05.02  | s31    | A133 | R99 | 8.2.0 | 8.3.0    | USF Handling in COMPACT   |
| 05.02  | s31    | A138 | R99 | 8.2.0 | 8.3.0    | Correction to non-DRX mode  |
| 05.02  | s31    | A142 | R99 | 8.2.0 | 8.3.0    | GPRS & SMS-CB interworking  |
| 05.02  | s31    | A143 | R99 | 8.2.0 | 8.3.0    | Complete Frequency Hopping on COMPACT   |
| 05.02  | s31b   | A148 | R99 | 8.3.0 | 8.4.0    | New measurement order – Idle mode   |
| 05.02  | s31b   | A147 | R99 | 8.3.0 | 8.4.0    | Clarification of PBCCH message scheduling   |
| 05.02  | s31b   | A157 | R99 | 8.3.0 | 8.4.0    | FCCH decoding problem for multislot MS  |
| 05.02  | s31b   | A144 | R99 | 8.3.0 | 8.4.0    | Correction of Figure D.4  |
| 05.02  | s31b   | A149 | R99 | 8.3.0 | 8.4.0    | Correction of NIB parameters  |
| 05.02  | s32    | A158 | R99 | 8.4.0 | 8.5.0    | Clarification of COMPACT frequency hopping parameters   |
| 05.02  | s32    | A159 | R99 | 8.4.0 | 8.5.0    | Class A Dual Transfer Mode (DTM)  |
|        | GERAN# |      |     |       |          | September 2000 - 3GPP GERAN   |
| 05.02  | G01    | A162 |     | 8.5.0 | 8.6.0    | DTM (R99)   |
| 05.02  | G01    | A163 |     | 8.5.0 | 8.6.0    | Corrections to COMPACT (R99)  |
| 05.02  | G01    | A165 |     | 8.5.0 | 8.6.0    | Editorial corrections related to COMPACT (R99)  |
|        | GERAN# |      |     |       |          | September 2000 - 3GPP GERAN#1   |
| 05.02  | G01    | A161 |     | 8.6.0 | 4.0.0    | NCH clarification (Release 4)   |
|        |        |      |     | 4.0.0 | 4.0.1    | Oct 2000: References corrected.   |
|        |        |      |     |       |          | November 2000 - 3GPP GERAN#2  |
| 45.002 | G02    | 002  | 1   | 4.0.1 | 4.1.0    | Clarification of mapping of PDTCH and PCCCH   |
| 45.002 | G02    | 003  |     | 4.0.1 | 4.1.0    | Editorial corrections   |
| 45.002 | G02    | 004  | 1   | 4.0.1 | 4.1.0    | Possible multislot configurations for GPRS  |
|        |        |      |     | 4.1.0 | 4.1.1    | Front page layout correction  |
|        |        |      |     |       |          | January 2001 - 3GPP GERAN#3   |
| 45.002 | G03    | 005  |     | 4.1.1 | 4.2.0    | Possible multislot configurations for GPRS  |
| 45.002 | G03    | 006  |     | 4.1.1 | 4.2.0    | Clarification of the monitored GPRS control channels during GPRS attachment   |

| Change history |            |           |     |     |  |        |        |
|----------------|------------|-----------|-----|-----|--|--------|--------|
| Date           | TSG GERAN# | TSG Doc.  | CR  | Rev | Subject/Comment  | Old    | New    |
| 2001-01        | 03         | GP-010241 | 008 |     | Introduction of Wideband AMR for GMSK modulated speech channel           | 4.2.0  | 5.0.0  |
|                |            | GP-010241 | 007 |     | Correction of CR numbers ( 007 -> 006 / 008->007)                        | 5.0.0  | 5.0.1  |
| 2001-04        | 04         | GP-010872 | 010 | 1   | Dynamic ARFCN mapping  | 5.0.1  | 5.1.0  |
| 2001-04        | 04         | GP-010653 | 012 |     | System Information Type 2 quater scheduling                              | 5.0.1  | 5.1.0  |
| 2001-08        | 06         | GP-011918 | 020 | 1   | Introduction of enhanced power control channels                          | 5.1.0  | 5.2.0  |
| 2001-08        | 06         | GP-011787 | 022 |     | Editorial corrections in the hopping sequence generation descriptions    | 5.1.0  | 5.2.0  |
| 2001-08        | 06         | GP-011608 | 028 |     | Multislot configurations for 8-PSK                                       | 5.1.0  | 5.2.0  |
| 2001-11        | 07         | GP-012746 | 025 | 1   | Introduction of adaptive half rate speech channels with 8-PSK modulation | 5.2.0  | 5.3.0  |
| 2001-11        | 07         | GP-012762 | 029 | 1   | High multislot classes for type 1 mobiles                                | 5.2.0  | 5.3.0  |
| 2001-11        | 07         | GP-012649 | 031 | 1   | Training Sequence Code on PBCCH/PCCCH                                    | 5.2.0  | 5.3.0  |
| 2001-11        | 07         | GP-012630 | 033 |     | Correction of minimum number of paging blocks "available" on one PCCCH   | 5.2.0  | 5.3.0  |
| 2001-11        | 07         | GP-012769 | 035 | 1   | Correction of references to 3GPP specifications                          | 5.2.0  | 5.3.0  |
| 2002-02        | 08         | GP-020510 | 036 | 2   | Clarification of permitted channel combinations                          | 5.3.0  | 5.4.0  |
| 2002-02        | 08         | GP-020454 | 040 | 1   | Multiplexing PDTCH/U,PACCH/U and PCCCH/U                                 | 5.3.0  | 5.4.0  |
| 2002-02        | 08         | GP-020478 | 041 | 1   | Correction on multislot classes and Tra/Tta configurations               | 5.3.0  | 5.4.0  |
| 2002-04        | 09         | GP-020646 | 043 |     | Removal of Fixed Allocation  | 5.4.0  | 5.5.0  |
| 2002-04        | 09         | GP-021205 | 047 | 2   | Multislot configuration with EPC   | 5.4.0  | 5.5.0  |
| 2002-04        | 09         | GP-021206 | 048 | 1   | Introduction of AMR-WB on 8PSK modulated speech traffic channels         | 5.4.0  | 5.5.0  |
| 2002-04        | 09         | GP-021015 | 050 |     | Definition of octal traffic channels                                     | 5.4.0  | 5.5.0  |
| 2002-06        | 10         | GP-021411 | 051 |     | Editorial clean up of references   | 5.5.0  | 5.6.0  |
| 2002-06        | 10         | GP-021668 | 053 |     | Multislot configurations for OTCH/F                                      | 5.5.0  | 5.6.0  |
| 2002-06        | 10         | GP-021669 | 054 |     | Alignment and additions for lu mode                                      | 5.5.0  | 5.6.0  |
| 2002-11        | 12         | GP-023114 | 055 |     | Inclusion of DBPSCH  | 5.6.0  | 5.7.0  |
| 2002-11        | 12         | GP-023141 | 058 |     | Mapping of SI13alt message on BCCH                                       | 5.6.0  | 5.7.0  |
| 2002-11        | 12         | GP-023405 | 059 |     | Correction for SBPSCH in lu Mode DTM                                     | 5.6.0  | 5.7.0  |
| 2003-02        | 13         | GP-030379 | 060 | 1   | Inconsistent specification of <i>lu-mode</i> multislot configurations    | 5.7.0  | 5.8.0  |
| 2003-02        | 13         | GP-030221 | 062 |     | Multislot configurations for dual transfer mode                          | 5.7.0  | 5.8.0  |
| 2003-02        | 13         | GP-030222 | 063 |     | Multislot configurations for DBPSCH in <i>lu mode</i>                    | 5.7.0  | 5.8.0  |
| 2003-04        | 14         | GP-030894 | 071 |     | Corrections for DTM multislot configurations                             | 5.8.0  | 5.9.0  |
| 2003-06        | 15         | GP-031712 | 080 | 2   | Clarification of the Extended Dynamic Allocation                         | 5.9.0  | 5.10.0 |
| 2003-08        | 16         | GP-031905 | 076 | 1   | Improvements to Extended Dynamic Allocation for high multislot classes   | 5.10.0 | 5.11.0 |

---

## History

| <b>Document history</b> |               |             |
|-------------------------|---------------|-------------|
| V5.5.0                  | April 2002    | Publication |
| V5.6.0                  | June 2002     | Publication |
| V5.7.0                  | November 2002 | Publication |
| V5.8.0                  | February 2003 | Publication |
| V5.9.0                  | April 2003    | Publication |
| V5.10.0                 | June 2003     | Publication |
| V5.11.0                 | August 2003   | Publication |