

ETSI TS 148 018 V5.7.0 (2003-07)

Technical Specification

**Digital cellular telecommunications system (Phase 2+);
General Packet Radio Service (GPRS);
Base Station System (BSS) -
Serving GPRS Support Node (SGSN);
BSS GPRS Protocol
(3GPP TS 48.018 version 5.7.0 Release 5)**



Reference

RTS/TSGG-0248018v570

Keywords

GSM

ETSI

650 Route des Lucioles
F-06921 Sophia Antipolis Cedex - FRANCE

Tel.: +33 4 92 94 42 00 Fax: +33 4 93 65 47 16

Siret N° 348 623 562 00017 - NAF 742 C
Association à but non lucratif enregistrée à la
Sous-Préfecture de Grasse (06) N° 7803/88

Important notice

Individual copies of the present document can be downloaded from:

<http://www.etsi.org>

The present document may be made available in more than one electronic version or in print. In any case of existing or perceived difference in contents between such versions, the reference version is the Portable Document Format (PDF). In case of dispute, the reference shall be the printing on ETSI printers of the PDF version kept on a specific network drive within ETSI Secretariat.

Users of the present document should be aware that the document may be subject to revision or change of status. Information on the current status of this and other ETSI documents is available at

<http://portal.etsi.org/tb/status/status.asp>

If you find errors in the present document, send your comment to:

editor@etsi.org

Copyright Notification

No part may be reproduced except as authorized by written permission.
The copyright and the foregoing restriction extend to reproduction in all media.

© European Telecommunications Standards Institute 2003.
All rights reserved.

DECT™, PLUGTESTS™ and UMTS™ are Trade Marks of ETSI registered for the benefit of its Members.
TIPHON™ and the TIPHON logo are Trade Marks currently being registered by ETSI for the benefit of its Members.
3GPP™ is a Trade Mark of ETSI registered for the benefit of its Members and of the 3GPP Organizational Partners.

Intellectual Property Rights

IPRs essential or potentially essential to the present document may have been declared to ETSI. The information pertaining to these essential IPRs, if any, is publicly available for **ETSI members and non-members**, and can be found in ETSI SR 000 314: "*Intellectual Property Rights (IPRs); Essential, or potentially Essential, IPRs notified to ETSI in respect of ETSI standards*", which is available from the ETSI Secretariat. Latest updates are available on the ETSI Web server (<http://webapp.etsi.org/IPR/home.asp>).

Pursuant to the ETSI IPR Policy, no investigation, including IPR searches, has been carried out by ETSI. No guarantee can be given as to the existence of other IPRs not referenced in ETSI SR 000 314 (or the updates on the ETSI Web server) which are, or may be, or may become, essential to the present document.

Foreword

This Technical Specification (TS) has been produced by ETSI 3rd Generation Partnership Project (3GPP).

The present document may refer to technical specifications or reports using their 3GPP identities, UMTS identities or GSM identities. These should be interpreted as being references to the corresponding ETSI deliverables.

The cross reference between GSM, UMTS, 3GPP and ETSI identities can be found under <http://webapp.etsi.org/key/queryform.asp>.

Contents

| | |
|---|----|
| Intellectual Property Rights | 2 |
| Foreword..... | 2 |
| Foreword..... | 9 |
| 1 Scope | 10 |
| 2 References | 10 |
| 3 Abbreviations | 11 |
| 4 Logical configuration of the Gb-interface..... | 11 |
| 4.1 High-level characteristics of the Gb-interface | 11 |
| 4.2 Position of BSSGP within the protocol stack on the Gb-interface | 12 |
| 5 Elements for layer-to-layer communication..... | 12 |
| 5.1 Definition of service model..... | 12 |
| 5.2 Service primitives provided by the BSSGP at a BSS | 14 |
| 5.2.1 RL-DL-UNITDATA.ind..... | 16 |
| 5.2.2 RL-UL-UNITDATA.req..... | 16 |
| 5.2.3 RL-PTM-UNITDATA.ind..... | 16 |
| 5.2.4 GMM-PAGING.ind..... | 16 |
| 5.2.5 GMM-RA-CAPABILITY.ind..... | 16 |
| 5.2.6 GMM-RA-CAPABILITY-UPDATE.req..... | 16 |
| 5.2.7 GMM-RA-CAPABILITY-UPDATE.cnf..... | 16 |
| 5.2.8 GMM-RADIO-STATUS.req..... | 16 |
| 5.2.9 GMM-SUSPEND.req..... | 16 |
| 5.2.10 GMM-SUSPEND.cnf..... | 17 |
| 5.2.11 GMM-RESUME.req..... | 17 |
| 5.2.12 GMM-RESUME.cnf..... | 17 |
| 5.2.13 NM-FLUSH-LL.ind..... | 17 |
| 5.2.14 NM-FLUSH-LL.res..... | 17 |
| 5.2.15 NM-LLC-DISCARDED.req..... | 17 |
| 5.2.16 NM-FLOW-CONTROL-BVC.req..... | 17 |
| 5.2.17 NM-FLOW-CONTROL-BVC.cnf..... | 17 |
| 5.2.18 NM-FLOW-CONTROL-MS.req..... | 17 |
| 5.2.19 NM-FLOW-CONTROL-MS.cnf..... | 17 |
| 5.2.19a NM-FLOW-CONTROL-PFC.req..... | 17 |
| 5.2.19b NM-FLOW-CONTROL-PFC.cnf..... | 18 |
| 5.2.20 NM-STATUS.req..... | 18 |
| 5.2.21 NM-STATUS.ind..... | 18 |
| 5.2.22 NM-BVC-BLOCK.req..... | 18 |
| 5.2.23 NM-BVC-BLOCK.cnf..... | 18 |
| 5.2.24 NM-BVC-UNBLOCK.req..... | 18 |
| 5.2.25 NM-BVC-UNBLOCK.cnf..... | 18 |
| 5.2.26 NM-BVC-RESET.req..... | 18 |
| 5.2.27 NM-BVC-RESET.res..... | 18 |
| 5.2.28 NM-BVC-RESET.ind..... | 18 |
| 5.2.29 NM-BVC-RESET.cnf..... | 18 |
| 5.2.30 NM-TRACE.ind..... | 18 |
| 5.2.31 PFM-DOWNLOAD-BSS-PFC.req..... | 18 |
| 5.2.32 PFM-CREATE-BSS-PFC.ind..... | 19 |
| 5.2.33 PFM-CREATE-BSS-PFC.res..... | 19 |
| 5.2.34 PFM-MODIFY-BSS-PFC.req..... | 19 |
| 5.2.35 (void)..... | 19 |
| 5.2.36 (void)..... | 19 |
| 5.2.37 PFM-MODIFY-BSS-PFC.cnf..... | 19 |
| 5.2.38 PFM-DELETE-BSS-PFC.ind..... | 19 |
| 5.2.39 PFM-DELETE-BSS-PFC.res..... | 19 |

| | | |
|---------|---|----|
| 5.2.40 | LCS-LOCATE.ind | 19 |
| 5.2.41 | LCS-LOCATE.res | 19 |
| 5.2.42 | LCS-ABORT.ind | 19 |
| 5.2.43 | LCS-INFORMATION-TRANSFER.req | 19 |
| 5.2.44 | LCS-INFORMATION-TRANSFER.cnf | 19 |
| 5.2.45 | RIM-RAN-INFORMATION.req | 20 |
| 5.2.46 | RIM-RAN-INFORMATION.ind | 20 |
| 5.2.47 | RIM-RAN-INFORMATION.res | 20 |
| 5.2.48 | RIM-RAN-INFORMATION.cnf | 20 |
| 5.2.49 | RIM-RAN-INFORMATION-REQUEST.req | 20 |
| 5.2.50 | RIM-RAN-INFORMATION-REQUEST.ind | 20 |
| 5.2.51 | RIM-RAN-INFORMATION-ERROR.req | 20 |
| 5.2.52 | RIM-RAN-INFORMATION-ERROR.ind | 20 |
| 5.3 | Service primitives provided by the BSSGP at an SGSN | 20 |
| 5.3.1 | BSSGP-DL-UNITDATA.req | 23 |
| 5.3.2 | BSSGP-UL-UNITDATA.ind | 23 |
| 5.3.3 | BSSGP-PTM-UNITDATA.req | 23 |
| 5.3.4 | GMM-PAGING.req | 23 |
| 5.3.5 | GMM-RA-CAPABILITY.req | 23 |
| 5.3.6 | GMM-RA-CAPABILITY-UPDATE.ind | 23 |
| 5.3.7 | GMM-RA-CAPABILITY-UPDATE.res | 23 |
| 5.3.8 | GMM-RADIO-STATUS.ind | 23 |
| 5.3.9 | GMM-SUSPEND.ind | 24 |
| 5.3.10 | GMM-RESUME.ind | 24 |
| 5.3.11 | NM-FLUSH-LL.req | 24 |
| 5.3.12 | NM-FLUSH-LL.cnf | 24 |
| 5.3.13 | NM-LLC-DISCARDED.ind | 24 |
| 5.3.14 | NM-FLOW-CONTROL-BVC.ind | 24 |
| 5.3.15 | NM-FLOW-CONTROL-MS.ind | 24 |
| 5.3.15a | NM-FLOW-CONTROL-PFC.ind | 24 |
| 5.3.16 | NM-STATUS.req | 24 |
| 5.3.17 | NM-STATUS.ind | 24 |
| 5.3.18 | NM-BVC-BLOCK.ind | 24 |
| 5.3.19 | NM-BVC-UNBLOCK.ind | 24 |
| 5.3.20 | NM-BVC-RESET.req | 25 |
| 5.3.21 | NM-BVC-RESET.res | 25 |
| 5.3.22 | NM-BVC-RESET.ind | 25 |
| 5.3.23 | NM-BVC-RESET.cnf | 25 |
| 5.3.24 | NM-TRACE.req | 25 |
| 5.3.25 | PFM-DOWNLOAD-BSS-PFC.ind | 25 |
| 5.3.26 | PFM-CREATE-BSS-PFC.req | 25 |
| 5.3.27 | PFM-CREATE-BSS-PFC.cnf | 25 |
| 5.3.28 | PFM-MODIFY-BSS-PFC.ind | 25 |
| 5.3.29 | PFM-MODIFY-BSS-PFC.res | 25 |
| 5.3.30 | PFM-DELETE-BSS-PFC.req | 25 |
| 5.3.31 | PFM-DELETE-BSS-PFC.cnf | 25 |
| 5.3.32 | LCS-LOCATE.req | 25 |
| 5.3.33 | LCS-LOCATE.cnf | 26 |
| 5.3.34 | LCS-ABORT.req | 26 |
| 5.3.35 | LCS-INFORMATION-TRANSFER.ind | 26 |
| 5.3.36 | LCS-INFORMATION-TRANSFER.res | 26 |
| 5.3.37 | RIM-RAN-INFORMATION.req | 26 |
| 5.3.38 | RIM-RAN-INFORMATION.ind | 26 |
| 5.3.39 | RIM-RAN-INFORMATION.res | 26 |
| 5.3.40 | RIM-RAN-INFORMATION.cnf | 26 |
| 5.3.41 | RIM-RAN-INFORMATION-REQUEST.req | 26 |
| 5.3.42 | RIM-RAN-INFORMATION-REQUEST.ind | 26 |
| 5.3.43 | RIM-RAN-INFORMATION-ERROR.req | 26 |
| 5.3.44 | RIM-RAN-INFORMATION-ERROR.ind | 26 |
| 5.4 | Primitive parameters | 26 |
| 5.4.1 | BSSGP Virtual Connection Identifier (BVCI) | 27 |
| 5.4.2 | Link Selector Parameter (LSP) | 28 |

| | | |
|---------|--|----|
| 5.4.3 | [functional-name] PDU..... | 28 |
| 5.4.4 | Network Service Entity Identifier (NSEI) | 28 |
| 5.4.5 | BSS Context..... | 28 |
| 6 | User data and signalling procedures between RL and BSSGP SAPs..... | 28 |
| 6.1 | Downlink UNITDATA procedure | 28 |
| 6.1.1 | Abnormal conditions..... | 30 |
| 6.2 | Uplink UNITDATA procedure | 30 |
| 6.2.1 | Abnormal conditions..... | 31 |
| 6.3 | RA-CAPABILITY procedure | 31 |
| 6.3.1 | Abnormal conditions..... | 31 |
| 7 | Signalling procedures between GMM SAPs..... | 31 |
| 7.1 | Paging procedure..... | 31 |
| 7.2 | Radio Access Capability Update procedure | 32 |
| 7.2.1 | Abnormal conditions..... | 32 |
| 7.3 | Radio Status procedure..... | 32 |
| 7.4 | SUSPEND procedure | 33 |
| 7.4.1 | Abnormal conditions..... | 33 |
| 7.5 | RESUME procedure..... | 34 |
| 7.5.1 | Abnormal conditions..... | 34 |
| 8 | Signalling procedures between NM SAPs | 34 |
| 8.1 | FLUSH-LL (logical link) procedure..... | 34 |
| 8.1.1 | Abnormal Conditions..... | 36 |
| 8.2 | Flow Control procedure..... | 36 |
| 8.2.1 | General model of operation | 36 |
| 8.2.2 | Mode of operation..... | 36 |
| 8.2.3 | Flow Control of Traffic from an SGSN to BSS..... | 37 |
| 8.2.3.1 | Control of the downlink throughput by the SGSN..... | 37 |
| 8.2.3.2 | Flow Control Conformance Definition | 38 |
| 8.2.3.3 | Response time within the SGSN to flow control messages..... | 40 |
| 8.2.3.4 | Frequency of sending BVC or MS or PFC Flow Control PDUs..... | 40 |
| 8.2.3.5 | FLOW-CONTROL PDUs..... | 40 |
| 8.2.3.6 | Condition of Bmax for MS after Initial Flow-Control-BVC..... | 41 |
| 8.2.4 | Flow Control of Uplink Traffic from a BSS to an SGSN | 41 |
| 8.3 | BVC blocking and unblocking procedure | 41 |
| 8.3.1 | PTP BVC | 41 |
| 8.3.2 | Signalling BVC..... | 42 |
| 8.3.3 | Abnormal Conditions..... | 42 |
| 8.4 | BVC-RESET procedure | 43 |
| 8.4.1 | Signalling BVC..... | 44 |
| 8.4.2 | PTP BVC | 44 |
| 8.4.3 | Abnormal Conditions..... | 44 |
| 8.5 | Trace procedure..... | 45 |
| 8a | Signalling procedures between PFM SAPs..... | 45 |
| 8a.1 | Create BSS PFC procedure | 45 |
| 8a.1.1 | Abnormal conditions..... | 46 |
| 8a.2 | Modify BSS PFC procedure..... | 46 |
| 8a.2.1 | Abnormal conditions..... | 46 |
| 8a.3 | Delete BSS PFC procedure | 46 |
| 8b | Signalling Procedures between LCS SAPs | 47 |
| 8b.1 | Location Procedure..... | 47 |
| 8b.1.1 | Unsuccessful Operation | 47 |
| 8b.1.2 | Abnormal Conditions..... | 47 |
| 8b.1.3 | Overload | 48 |
| 8b.2 | Position Command Procedure..... | 48 |
| 8b.2.1 | Position Command..... | 48 |
| 8b.2.2 | Position Response | 48 |
| 8b.2.3 | Unsuccessful Operation | 48 |
| 8c | Signalling procedures between RIM SAPs | 49 |

| | | |
|-----------|---|----|
| 8c.1 | General | 49 |
| 8c.2 | Procedure description | 50 |
| 8c.3 | Abnormal conditions..... | 50 |
| 8c.4 | RAN Information Request and RAN Information Send procedures used by the NACC application..... | 51 |
| 9 | General Protocol Error Handling | 51 |
| 10 | PDU functional definitions and contents..... | 52 |
| 10.1 | General Structure Of A PDU..... | 52 |
| 10.2 | PDU functional definitions and contents at RL and BSSGP SAPs | 52 |
| 10.2.1 | DL-UNITDATA | 52 |
| 10.2.2 | UL-UNITDATA | 52 |
| 10.2.3 | RA-CAPABILITY..... | 53 |
| 10.2.4 | PTM-UNITDATA | 53 |
| 10.3 | PDU functional definitions and contents at GMM SAP..... | 53 |
| 10.3.1 | PAGING PS..... | 53 |
| 10.3.2 | PAGING CS | 54 |
| 10.3.3 | RA-CAPABILITY-UPDATE..... | 54 |
| 10.3.4 | RA-CAPABILITY-UPDATE-ACK | 55 |
| 10.3.5 | RADIO-STATUS | 55 |
| 10.3.6 | SUSPEND | 55 |
| 10.3.7 | SUSPEND-ACK..... | 56 |
| 10.3.8 | SUSPEND-NACK..... | 56 |
| 10.3.9 | RESUME | 56 |
| 10.3.10 | RESUME-ACK | 57 |
| 10.3.11 | RESUME-NACK | 57 |
| 10.4 | PDU functional definitions and contents at NM SAP | 57 |
| 10.4.1 | FLUSH-LL | 57 |
| 10.4.2 | FLUSH-LL-ACK..... | 58 |
| 10.4.3 | LLC-DISCARDED..... | 58 |
| 10.4.4 | FLOW-CONTROL-BVC | 59 |
| 10.4.5 | FLOW-CONTROL-BVC-ACK..... | 59 |
| 10.4.6 | FLOW-CONTROL-MS..... | 59 |
| 10.4.7 | FLOW-CONTROL-MS-ACK | 60 |
| 10.4.8 | BVC-BLOCK | 60 |
| 10.4.9 | BVC-BLOCK-ACK..... | 60 |
| 10.4.10 | BVC-UNBLOCK | 60 |
| 10.4.11 | BVC-UNBLOCK-ACK..... | 61 |
| 10.4.12 | BVC-RESET..... | 61 |
| 10.4.13 | BVC-RESET-ACK..... | 61 |
| 10.4.14 | STATUS | 62 |
| 10.4.14.1 | Static conditions for BVCI..... | 62 |
| 10.4.15 | SGSN-INVOKE-TRACE | 62 |
| 10.4.16 | DOWNLOAD-BSS-PFC..... | 63 |
| 10.4.17 | CREATE-BSS-PFC | 63 |
| 10.4.18 | CREATE-BSS-PFC-ACK | 63 |
| 10.4.19 | CREATE-BSS-PFC-NACK | 64 |
| 10.4.20 | MODIFY-BSS-PFC..... | 64 |
| 10.4.21 | MODIFY-BSS-PFC-ACK..... | 64 |
| 10.4.22 | DELETE-BSS-PFC | 65 |
| 10.4.23 | DELETE-BSS-PFC-ACK..... | 65 |
| 10.4.24 | FLOW-CONTROL-PFC | 65 |
| 10.4.25 | FLOW-CONTROL-PFC-ACK..... | 66 |
| 10.5 | PDU functional definitions and contents at LCS SAP | 66 |
| 10.5.1 | PERFORM-LOCATION-REQUEST..... | 66 |
| 10.5.2 | PERFORM-LOCATION-RESPONSE..... | 67 |
| 10.5.3 | PERFORM-LOCATION-ABORT | 67 |
| 10.5.4 | POSITION-COMMAND..... | 67 |
| 10.5.5 | POSITION-RESPONSE | 68 |
| 10.6 | PDU functional definitions and contents at RIM SAP | 68 |
| 10.6.1 | RAN-INFORMATION-REQUEST | 68 |
| 10.6.2 | RAN-INFORMATION..... | 69 |

| | | |
|----------|---|----|
| 10.6.3 | RAN-INFORMATION-ACK | 69 |
| 10.6.4 | RAN-INFORMATION-ERROR | 70 |
| 11 | General information elements coding | 70 |
| 11.1 | General structure of the information elements | 70 |
| 11.2 | Information element description..... | 70 |
| 11.3 | Information Element Identifier (IEI) | 70 |
| 11.3.1 | Alignment octets..... | 72 |
| 11.3.2 | Bmax default MS | 72 |
| 11.3.3 | BSS Area Indication | 72 |
| 11.3.4 | Bucket Leak Rate (R) | 72 |
| 11.3.5 | BVC Bucket Size..... | 73 |
| 11.3.6 | BVCI (BSSGP Virtual Connection Identifier)..... | 73 |
| 11.3.7 | BVC Measurement | 73 |
| 11.3.8 | Cause | 73 |
| 11.3.9 | Cell Identifier..... | 74 |
| 11.3.10 | Channel needed..... | 74 |
| 11.3.11 | DRX Parameters | 75 |
| 11.3.12 | eMLPP-Priority..... | 75 |
| 11.3.13 | Flush Action..... | 75 |
| 11.3.14 | IMSI..... | 76 |
| 11.3.15 | LLC-PDU | 76 |
| 11.3.16 | LLC Frames Discarded..... | 76 |
| 11.3.17 | Location Area | 76 |
| 11.3.18 | LSA Identifier List..... | 77 |
| 11.3.19 | LSA Information..... | 77 |
| 11.3.20 | Mobile Id | 77 |
| 11.3.21 | MS Bucket Size | 77 |
| 11.3.22 | MS Radio Access Capability | 78 |
| 11.3.23 | OMC Id..... | 78 |
| 11.3.24 | PDU In Error..... | 78 |
| 11.3.25 | PDU Lifetime..... | 78 |
| 11.3.26 | PDU Type | 79 |
| 11.3.27 | Priority | 80 |
| 11.3.28 | QoS Profile | 80 |
| 11.3.29 | Radio Cause | 81 |
| 11.3.30 | RA-Cap-UPD-Cause..... | 81 |
| 11.3.31 | Routeing Area..... | 82 |
| 11.3.32 | R_default_MS..... | 82 |
| 11.3.33 | Suspend Reference Number..... | 82 |
| 11.3.34 | Tag | 82 |
| 11.3.35 | Temporary logical link Identity (TLLI) | 83 |
| 11.3.36 | Temporary Mobile Subscriber Identity (TMSI)..... | 83 |
| 11.3.37 | Trace Reference | 83 |
| 11.3.38 | Trace Type | 83 |
| 11.3.39 | Transaction Id | 84 |
| 11.3.40 | Trigger Id..... | 84 |
| 11.3.41 | Number of octets affected..... | 84 |
| 11.3.42 | Packet Flow Identifier (PFI) | 84 |
| 11.3.42a | PFC transfer result | 85 |
| 11.3.43 | Aggregate BSS QoS Profile..... | 85 |
| 11.3.44 | GPRS Timer..... | 85 |
| 11.3.45 | Feature Bitmap..... | 86 |
| 11.3.46 | Bucket Full Ratio | 87 |
| 11.3.47 | Service UTRAN CCO | 87 |
| 11.3.48 | NSEI (Network Service Entity Identifier) | 87 |
| 11.3.49 | RRLP APDU | 88 |
| 11.3.50 | LCS QoS..... | 88 |
| 11.3.51 | LCS Client Type | 88 |
| 11.3.52 | Requested GPS Assistance Data..... | 88 |
| 11.3.53 | Location Type..... | 89 |
| 11.3.54 | Location Estimate | 89 |

| | | |
|--|---|-----------|
| 11.3.55 | Positioning Data..... | 89 |
| 11.3.56 | Deciphering Keys | 89 |
| 11.3.57 | LCS Priority..... | 90 |
| 11.3.58 | LCS Cause | 90 |
| 11.3.59 | LCS Capability | 90 |
| 11.3.60 | RRLP Flags..... | 90 |
| 11.3.61 | RIM Application Identity..... | 91 |
| 11.3.62 | RIM Sequence Number | 91 |
| 11.3.63 | RAN-INFORMATION-REQUEST Container Unit..... | 92 |
| 11.3.63.0 | General | 92 |
| 11.3.63.1 | Container Unit disposition when the RIM Application Identity IE= NACC | 92 |
| 11.3.64 | RAN-INFORMATION Container Unit..... | 93 |
| 11.3.64.0 | General | 93 |
| 11.3.64.1 | Container Unit disposition when the RIM Application Identity IE= NACC | 93 |
| 11.3.65 | RAN Information Indications | 94 |
| 11.3.66 | Number of Container Units..... | 95 |
| 11.3.67 | RAN Information Request Indications | 95 |
| 11.3.68 | PFC Flow Control parameters | 96 |
| 11.3.69 | Global CN-Id | 96 |
| 12 | List of system variables..... | 97 |
| 12.1 | General Variables | 97 |
| 12.2 | Flow control variables..... | 97 |
| Annex A (informative): Change history | | 98 |
| History | | 99 |

Foreword

This Technical Specification has been produced by the 3rd Generation Partnership Project (3GPP).

The present document specifies or references procedures used on the Base Station System (BSS) to Serving GPRS Support Node (SGSN) interface for control of GSM packet data services within the digital cellular telecommunications system (Phase 2+).

The contents of the present document are subject to continuing work within the TSG and may change following formal TSG approval. Should the TSG modify the contents of the present document, it will be re-released by the TSG with an identifying change of release date and an increase in version number as follows:

Version x.y.z

where:

- x the first digit:
 - 1 presented to TSG for information;
 - 2 presented to TSG for approval;
 - 3 or greater indicates TSG approved document under change control.
- y the second digit is incremented for all changes of substance, i.e. technical enhancements, corrections, updates, etc.
- z the third digit is incremented when editorial only changes have been incorporated in the document.

1 Scope

The present document specifies or references procedures used on the Base Station System (BSS) to Serving GPRS Support Node (SGSN) interface for control of GSM packet data services.

The functional split between BSS and SGSN is defined in 3GPP TS 23.060 [7] which states that a BSS is responsible for local radio resource allocation. The required procedures between BSS and SGSN are defined in detail in the present document.

2 References

The following documents contain provisions which, through reference in this text, constitute provisions of the present document.

- References are either specific (identified by date of publication, edition number, version number, etc.) or non-specific.
- For a specific reference, subsequent revisions do not apply.
- For a non-specific reference, the latest version applies. In the case of a reference to a 3GPP document (including a GSM document), a non-specific reference implicitly refers to the latest version of that document *in the same Release as the present document*.

- [1] 3GPP TR 21.905: "Vocabulary for 3GPP Specifications".
- [2] (void).
- [3] (void).
- [4] (void).
- [5] (void).
- [6] (void).
- [7] 3GPP TS 23.060: "General Packet Radio Service (GPRS); Service Description; Stage 2".
- [8] (void).
- [9] (void).
- [10] 3GPP TS 43.064: "Overall description of the GPRS radio interface; Stage 2".
- [11] 3GPP TS 24.008: "Mobile radio interface Layer 3 specification; Core network protocols; Stage 3".
- [12] 3GPP TS 44.064: "Mobile Station - Serving GPRS Support Node (MS-SGSN) Logical Link Control (LLC) Layer Specification".
- [13] (void).
- [14] 3GPP TS 48.008: "Mobile Switching Centre - Base Station System (MSC-BSS) interface; Layer 3 specification".
- [15] (void).
- [16] 3GPP TS 48.016: "General Packet Radio Service (GPRS); Base Station System (BSS) - Serving GPRS Support Node (SGSN) interface; Network Service"
- [17] 3GPP TS 29.018: "General Packet Radio Service (GPRS); Serving GPRS Support Node (SGSN) - Visitors Location Register (VLR); Gs Interface Layer 3 specification".
- [18] 3GPP TS 32.008: "Subscriber and equipment trace".

- [19] ITU-T Recommendation X.200 (White Book): "Information technology - Open Systems Interconnection - Basic Reference Model: The basic model".
- [20] 3GPP TS 23.107: "Quality of Service (QoS) concept and architecture".
- [21] (void).
- [22] 3GPP TS 44.060: "General Packet Radio Service (GPRS); Mobile Station (MS) - Base Station System (BSS) interface; Radio Link Control/Medium Access Control (RLC/MAC) protocol".
- [23] 3GPP TS 43.059: "Functional Stage 2 Description of Location Services (LCS) in GERAN".
- [24] 3GPP TS 49.031: "Location Services (LCS); Base Station System Application Part LCS Extension (BSSAP-LE)".
- [25] 3GPP TS 44.018: "Mobile radio interface layer 3 specification; Radio Resource Control Protocol".
- [26] 3GPP TR 44.901: "External Network Assisted Cell Change (NACC) (Release 5)".
- [27] 3GPP TS 23.236: "Intra-domain connection of Radio Access Network (RAN) nodes to multiple Core Network (CN) nodes".
- [28] 3GPP TS 12.20: "Base Station System (BSS) Management Information".

3 Abbreviations

For the purposes of the present document, the abbreviations given in 3GPP TR 21.905 [1] and in 3GPP TS 48.016 [16] and the following apply:

| | |
|------|------------------------------|
| ABQP | Aggregate BSS QoS Profile |
| CBL | Current Bucket Level |
| CCN | Cell Change Notification |
| CS | Circuit switched |
| DL | Downlink |
| LCS | Location Services |
| NACC | Network Assisted Cell Change |
| NSE | Network Service Entity |
| PFC | Packet Flow Context |
| PFI | Packet Flow Identifier |
| PFM | Packet Flow Management |
| PFT | Packet Flow Timer |
| PS | Packet switched |
| RAN | Radio Access Network |
| RIM | RAN Information Management |
| UL | Uplink |

4 Logical configuration of the Gb-interface

4.1 High-level characteristics of the Gb-interface

In contrast to the A-interface, where a single user has the sole use of a dedicated physical resource throughout the lifetime of a call irrespective of information flow, the Gb-interface allows many users to be multiplexed over a common physical resource.

GPRS signalling and user data may be sent on the same physical resources.

Access rates per user may vary from zero data to the maximum possible bandwidth (e.g. the available bit rate of an E1).

4.2 Position of BSSGP within the protocol stack on the Gb-interface

Across the Gb-interface the following peer protocols have been identified: the Base Station Subsystem GPRS Protocol (BSSGP) and the underlying network service (NS). The NS shall transport BSSGP PDUs between a BSS and an SGSN (refer to 3GPP TS 48.016 [16]).

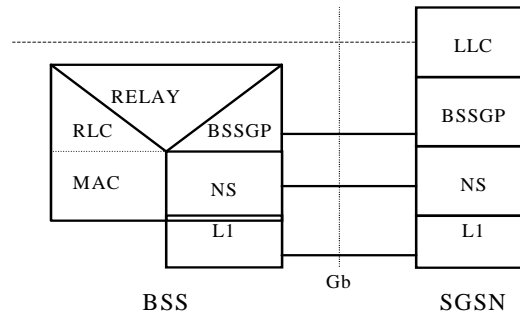


Figure 4.1: BSSGP's position within the Gb-interface protocol stack

NOTE: The Relay function provides buffering and parameter mapping between the RLC/MAC and the BSSGP.

EXAMPLE: On the uplink the RLC/MAC shall provide a TLLI. The Relay function shall then make it available to BSSGP. For a definition of the RLC/MAC function refer to 3GPP TS 43.064 [10].

The primary functions of the BSSGP include:

- in the downlink, the provision by an SGSN to a BSS of radio related information used by the RLC/MAC function;
- in the uplink, the provision by a BSS to an SGSN of radio related information derived from the RLC/MAC function; and
- the provision of functionality to enable two physically distinct nodes, an SGSN and a BSS, to operate node management control functions.

The present document describes the service model, service primitives, procedures and PDU formats of the BSSGP.

5 Elements for layer-to-layer communication

5.1 Definition of service model

In the present document, the communication between adjacent layers and the services provided by the layers are distributed by use of abstract service primitives. Only externally observable behaviour resulting from the description is normatively prescribed by the present document.

The service primitive model used in the present document is based on the concepts developed in ITU-T Recommendation X.200 [19].

The service model for a BSS and an SGSN is asymmetric. The service models for a BSS and an SGSN are shown in figure 5.1.

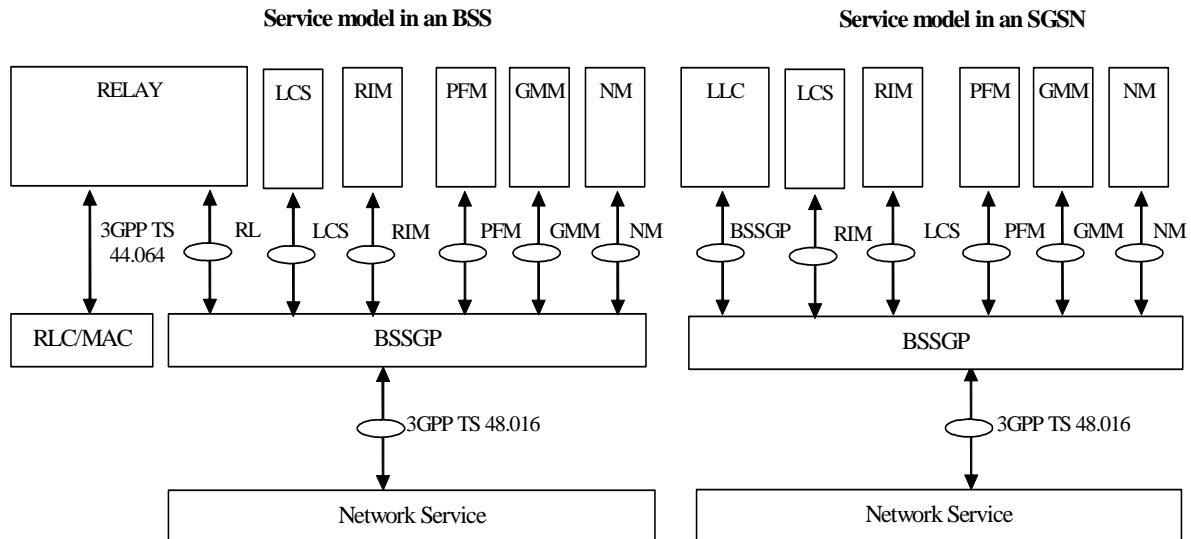


Figure 5.1: BSSGP service model

Primitives consist of commands and their respective responses associated with the services requested of another layer. The general syntax of a primitive is:

- XX - Generic name - Type (Parameters);

where XX designates the layer providing or using the service.

In the present document, XX is:

- "BSSGP" for functions controlling the transfer of LLC frames passed between an SGSN and an MS across the Gb interface;
- "RL" (relay) for functions controlling the transfer of LLC frames between the RLC/MAC function and BSSGP;
- "GMM" (GPRS mobility management) for functions associated with mobility management between an SGSN and a BSS; and
- "NM" (network management) for functions associated with Gb-interface and BSS-SGSN node management;
- "PFM" (packet flow management) for functions associated with the management of BSS Packet Flow Contexts (PFCs);
- "LCS" (location services) for functions associated with location services (LCS) procedures;
- "RIM" (RAN Information Management) for functions associated with generic procedures to communicate between two BSSs over the core network.

5.2 Service primitives provided by the BSSGP at a BSS

Table 5.2: Service primitives provided by BSSGP at a BSS

| Generic name | Type | | | | Parameters |
|--------------------------|---------|------------|----------|---------|--|
| | REQuest | INDication | RESponse | CoNFirm | |
| RL ⇔ BSSGP | | | | | |
| RL-DL-UNITDATA | - | X | - | - | BVCI, NSEI, Refer to DL-UNITDATA PDU |
| RL-UL-UNITDATA | X | - | - | - | BVCI, NSEI, LSP, Refer to UL- UNITDATA PDU |
| RL-PTM-UNITDATA | - | X | - | - | BVCI, NSEI, Refer to PTM-UNITDATA PDU |
| GMM ⇔ BSSGP | | | | | |
| GMM-PAGING | - | X | - | - | BVCI, NSEI, Refer to PAGING PS PDU Refer to PDU PAGING CS PDU |
| GMM-RA-CAPABILITY | - | X | - | - | BVCI, NSEI, Refer to RA-CAPABILITY PDU |
| GMM-RA-CAPABILITY-UPDATE | X | - | - | X | BVCI, NSEI, Refer to RA-CAPABILITY-UPDATE PDU, Refer to RA-CAPABILITY-UPDATE-ACK PDU |
| GMM-RADIO-STATUS | X | - | - | - | BVCI, NSEI, Refer to RADIO-STATUS PDU |
| GMM-SUSPEND | X | - | - | X | BVCI, NSEI, Refer to SUSPEND PDU Refer to SUSPEND-(N)ACK PDU |
| GMM-RESUME | X | - | - | X | BVCI, NSEI, Refer to RESUME PDU Refer to RESUME-(N)ACK PDU |
| NM ⇔ BSSGP | | | | | |
| NM-FLUSH-LL | - | X | X | - | BVCI, NSEI, Refer to FLUSH-LL PDU Refer to FLUSH-LL-ACK PDU |
| NM-LLC-DISCARDED | X | - | - | - | BVCI, NSEI, Refer to LLC-DISCARDED PDU |
| NM-FLOW-CONTROL-BVC | X | - | - | X | BVCI, NSEI, Refer to FLOW-CONTROL-BVC PDU Refer to FLOW-CONTROL-BVC ACK PDU |
| NM-FLOW-CONTROL-MS | X | - | - | X | BVCI, NSEI, Refer to FLOW-CONTROL-MS PDU Refer to FLOW-CONTROL-MS ACK PDU |
| NM-FLOW-CONTROL-PFC | X | - | - | X | BVCI, NSEI, Refer to FLOW-CONTROL-PFC PDU Refer to FLOW-CONTROL-PFC ACK PDU |
| NM-STATUS | X | X | - | - | BVCI, NSEI, Refer to STATUS PDU |

| Generic name | Type | | | | Parameters |
|--------------------------|---------|------------|----------|---------|--|
| | REQuest | INDication | RESponse | CoNFirm | |
| NM-BVC-BLOCK | X | - | - | X | BVCI, NSEI, Refer to BVC-BLOCK PDU Refer to BVC-BLOCK-ACK PDU |
| NM-BVC-UNBLOCK | X | - | - | X | BVCI, NSEI, Refer to BVC-UNBLOCK PDU Refer to BVC-UNBLOCK-ACK PDU |
| NM-BVC-RESET | X | X | X | X | BVCI, NSEI, Refer to BVC-RESET PDU Refer to BVC-RESET-ACK PDU |
| NM-TRACE | - | X | - | - | BVCI, NSEI, Refer to SGSN-INVOKE-TRACE PDU |
| PFM ⇔ BSSGP | | | | | |
| PFM-DOWNLOAD-BSS-PFC | X | - | - | - | BVCI, NSEI Refer to DOWNLOAD-BSS-PFC PDU |
| PFM-CREATE-BSS-PFC | - | X | X | - | BVCI, NSEI Refer to CREATE-BSS-PFC PDU Refer to CREATE-BSS-PFC-ACK PDU Refer to CREATE-BSS-PFC-NACK PDU |
| PFM-MODIFY-BSS-PFC | X | - | - | X | BVCI, NSEI Refer to MODIFY-BSS-PFC PDU Refer to MODIFY-BSS-PFC-ACK PDU |
| PFM-DELETE-BSS-PFC | - | X | X | - | BVCI, NSEI Refer to DELETE-BSS-PFC PDU Refer to DELETE-BSS-PFC-ACK PDU |
| LCS ⇔ BSSGP | | | | | |
| LCS-LOCATE | - | X | X | - | BVCI, NSEI Refer to PERFORM-LOCATION-REQUEST PDU Refer to PERFORM-LOCATION-RESPONSE PDU |
| LCS-ABORT | - | X | - | - | BVCI, NSEI Refer to PERFORM-LOCATION-ABORT PDU |
| LCS-INFORMATION-TRANSFER | X | - | - | X | BVCI, NSEI Refer to POSITION-COMMAND PDU Refer to POSITION-RESPONSE PDU |

| Generic name | Type | | | | Parameters |
|-----------------------------|---------|------------|----------|---------|--|
| | REQuest | INDication | RESponse | CoNFirm | |
| RIM ⇔ BSSGP | | | | | |
| RIM-RAN-INFORMATION | X | X | X | X | BVCI, NSEI Refer to RAN-INFORMATION PDU; Refer to RAN-INFORMATION-ACK PDU; |
| RIM-RAN-INFORMATION-REQUEST | X | X | - | - | BVCI, NSEI Refer to RAN-INFORMATION-REQUEST PDU |
| RIM-RAN-INFORMATION-ERROR | X | X | - | - | BVCI, NSEI Refer to RAN-INFORMATION-ERROR PDU |

5.2.1 RL-DL-UNITDATA.ind

Receipt of a DL-UNITDATA PDU from an SGSN by a BSS containing an LLC-PDU and MS control information necessary for the transmission of the LLC-PDU across the radio interface.

5.2.2 RL-UL-UNITDATA.req

Request to send a UL-UNITDATA PDU to an SGSN from a BSS containing an LLC-PDU and radio interface derived information.

5.2.3 RL-PTM-UNITDATA.ind

This shall be developed in GPRS phase 2.

5.2.4 GMM-PAGING.ind

Receipt of a PAGING PS or PAGING CS PDU from an SGSN by a BSS containing instructions to page an MS within a given group of cells.

5.2.5 GMM-RA-CAPABILITY.ind

Receipt of a RA-CAPABILITY PDU from an SGSN by a BSS providing the new Radio Access capability of an MS.

5.2.6 GMM-RA-CAPABILITY-UPDATE.req

Request to send a RA-CAPABILITY-UPDATE PDU to an SGSN from a BSS in order to receive the current Radio Access capabilities of an MS.

5.2.7 GMM-RA-CAPABILITY-UPDATE.cnf

Receipt of a RA-CAPABILITY-UPDATE-ACK PDU from a SGSN by a BSS containing the current Radio Access capabilities of an MS.

5.2.8 GMM-RADIO-STATUS.req

Request to send a RADIO-STATUS PDU to an SGSN from a BSS to report that an exception condition occurred in the operation of the radio interface for an MS.

5.2.9 GMM-SUSPEND.req

Request to send a SUSPEND PDU to an SGSN from a BSS to mark an MS's GPRS service as suspended.

5.2.10 GMM-SUSPEND.cnf

Receipt of a SUSPEND-ACK PDU from an SGSN by a BSS confirming that an SGSN has marked an MS's GPRS service as suspended.

5.2.11 GMM-RESUME.req

Request to send a RESUME PDU to an SGSN from a BSS to mark an MS's GPRS service as resumed.

5.2.12 GMM-RESUME.cnf

Receipt of a RESUME-ACK PDU from an SGSN by a BSS confirming that an SGSN has marked an MS's GPRS service as resumed.

5.2.13 NM-FLUSH-LL.ind

On receipt of a FLUSH-LL PDU by a BSS from an SGSN, the BSS will either delete queued LLC-PDUs for a TLLI or move the queued LLC-PDUs from an old to a new BVC. If there is a BSS context for the Mobile Station identified by the TLLI and the BSS is able to move the queued LLC-PDUs, the BSS has to move the BSS context from the old to the new BVC, even if it is not able to offer the same QoS characteristics in the new BVC.

5.2.14 NM-FLUSH-LL.res

Sending of a FLUSH-LL-ACK PDU to the SGSN from a BSS to report if queued LLC-PDU(s) for an MS were deleted or transferred from the old to the new cell within the routing area. The FLUSH-LL-ACK PDU may also report whether the QoS characteristics of the BSS context associated to the MS could be kept in the new cell.

5.2.15 NM-LLC-DISCARDED.req

Request to send a LLC-DISCARDED PDU to an SGSN from a BSS indicating that LLC frames pertaining to an MS have been locally discarded.

5.2.16 NM-FLOW-CONTROL-BVC.req

Request to send a FLOW-CONTROL-BVC PDU to an SGSN from a BSS indicating the ability of a BVC to accept a certain flow of data.

5.2.17 NM-FLOW-CONTROL-BVC.cnf

Confirmation that a FLOW-CONTROL-BVC PDU has been received by an SGSN for a given BVC.

5.2.18 NM-FLOW-CONTROL-MS.req

Request to send a FLOW-CONTROL-MS PDU to an SGSN from a BSS indicating the ability to accept a certain flow of data for a given MS.

5.2.19 NM-FLOW-CONTROL-MS.cnf

Confirmation that a FLOW-CONTROL-MS PDU has been received by an SGSN for a given MS.

5.2.19a NM-FLOW-CONTROL-PFC.req

Request to send a FLOW-CONTROL-PFC PDU to an SGSN from a BSS indicating the ability to accept a certain flow of data for a given PFC of a given MS.

5.2.19b NM-FLOW-CONTROL-PFC.cnf

Confirmation that a FLOW-CONTROL-PFC PDU has been received by an SGSN for a given PFC of a given MS.

5.2.20 NM-STATUS.req

Request to send a STATUS PDU to an SGSN from a BSS to report that an exception condition occurred within the BSS.

5.2.21 NM-STATUS.ind

Receipt of a STATUS PDU from an SGSN by a BSS indicating that an exception condition occurred within an SGSN.

5.2.22 NM-BVC-BLOCK.req

Request to send a BVC-BLOCK PDU to an SGSN from a BSS to mark a BVC as blocked.

5.2.23 NM-BVC-BLOCK.cnf

Receipt of a BVC-BLOCK-ACK PDU from an SGSN by a BSS confirming that an SGSN has marked a BVC as blocked.

5.2.24 NM-BVC-UNBLOCK.req

Request to send a BVC-UNBLOCK PDU to an SGSN from a BSS to mark a BVC as unblocked.

5.2.25 NM-BVC-UNBLOCK.cnf

Receipt of a BVC-UNBLOCK-ACK PDU from an SGSN by a BSS confirming that an SGSN has marked a BVC as unblocked.

5.2.26 NM-BVC-RESET.req

Request to send a BVC-RESET PDU to an SGSN from a BSS to reset an SGSN's GPRS BVC contexts.

5.2.27 NM-BVC-RESET.res

Sending of a BVC-RESET-ACK PDU to the SGSN from an BSS indicating that a GPRS BVC context has been reset in the BSS.

5.2.28 NM-BVC-RESET.ind

Receipt of a BVC-RESET PDU at a BSS from an SGSN indicating that GPRS BVC contexts have been reset at the SGSN.

5.2.29 NM-BVC-RESET.cnf

Receipt of a BVC-RESET-ACK PDU at a BSS confirming that GPRS BVC context has been reset at the SGSN.

5.2.30 NM-TRACE.ind

Receipt of a SGSN-INVOKE-TRACE PDU at a BSS from an SGSN indicating the need to produce a trace record on an MS.

5.2.31 PFM-DOWNLOAD-BSS-PFC.req

Upon a request to transfer an uplink or downlink LLC PDU for which it currently does not have a BSS Packet Flow Context, the BSS may send a DOWNLOAD-BSS-PFC PDU to an SGSN.

5.2.32 PFM-CREATE-BSS-PFC.ind

Receipt of a CREATE-BSS-PFC PDU at a BSS from an SGSN indicating that the BSS should create or modify a BSS Packet Flow Context using the Aggregate BSS QoS Profile.

5.2.33 PFM-CREATE-BSS-PFC.res

Sending of a CREATE-BSS-PFC-ACK PDU to the SGSN from a BSS to respond with an Aggregate BSS QoS Profile or a CREATE-BSS-PFC-NACK in case the BSS was unable to create the PFC.

5.2.34 PFM-MODIFY-BSS-PFC.req

Request to send a MODIFY-BSS-PFC PDU to an SGSN from a BSS to modify an Aggregate BSS QoS Profile.

5.2.35 (void)

5.2.36 (void)

5.2.37 PFM-MODIFY-BSS-PFC.cnf

Reception of a MODIFY-BSS-PFC-ACK PDU at a BSS from an SGSN confirming the modification of an Aggregate BSS QoS Profile.

5.2.38 PFM-DELETE-BSS-PFC.ind

Receipt of a DELETE-BSS-PFC PDU at a BSS from an SGSN to delete an Aggregate BSS QoS Profile.

5.2.39 PFM-DELETE-BSS-PFC.res

Sending of a DELETE-BSS-PFC-ACK PDU to an SGSN from a BSS to respond to a deletion.

5.2.40 LCS-LOCATE.ind

Receipt of a PERFORM-LOCATION-REQUEST PDU at a BSS from an SGSN requesting a location procedure for a target MS.

5.2.41 LCS-LOCATE.res

Sending of a PERFORM-LOCATION-RESPONSE PDU to an SGSN responding to the location request for a target MS.

5.2.42 LCS-ABORT.ind

Receipt of a PERFORM-LOCATION-ABORT PDU at a BSS from an SGSN indicating a request of an abort of a location procedure for a target MS.

5.2.43 LCS-INFORMATION-TRANSFER.req

Request to send a POSITION-COMMAND PDU to an SGSN from a BSS that has LCS related information associated with a higher level protocol available to transfer.

5.2.44 LCS-INFORMATION-TRANSFER.cnf

Confirmation in a POSTION-RESPONSE PDU that the higher layer message has been received and an indication of the result of the message transfer and possibly including a reply with another higher layer protocol message.

5.2.45 RIM-RAN-INFORMATION.req

Sending of a RAN-INFORMATION PDU to an SGSN from a BSS for routing of the PDU to another BSS.

5.2.46 RIM-RAN-INFORMATION.ind

Reception of a RAN-INFORMATION PDU at a BSS from an SGSN originating from another BSS.

5.2.47 RIM-RAN-INFORMATION.res

Sending of a RAN-INFORMATION-ACK PDU to an SGSN from a BSS for routing of the PDU to another BSS.

5.2.48 RIM-RAN-INFORMATION.cnf

Reception of a RAN-INFORMATION-ACK PDU at a BSS from an SGSN confirming that a RAN-INFORMATION PDU has been received by another BSS.

5.2.49 RIM-RAN-INFORMATION-REQUEST.req

Sending of a RAN-INFORMATION-REQUEST PDU to an SGSN from a BSS for routing of the PDU to another BSS.

5.2.50 RIM-RAN-INFORMATION-REQUEST.ind

Reception of a RAN-INFORMATION-REQUEST PDU at a BSS from an SGSN originating from another BSS.

5.2.51 RIM-RAN-INFORMATION-ERROR.req

Sending of a RAN-INFORMATION-ERROR PDU to an SGSN from a BSS for routing of the PDU to another BSS.

5.2.52 RIM-RAN-INFORMATION-ERROR.ind

Reception of a RAN-INFORMATION-ERROR PDU at a BSS from an SGSN indicating that a receiving BSS has not been able to correctly decode a received RAN-INFORMATION PDU.

5.3 Service primitives provided by the BSSGP at an SGSN

Table 5.3: Service primitives provided by BSSGP at an SGSN

| Generic name | Type | | | | Parameters |
|--------------------|---------|------------|----------|---------|---|
| | REQuest | INDication | RESponse | CoNFirm | |
| LL ⇔ BSSGP | | | | | |
| BSSGP-DL-UNITDATA | X | - | - | - | BVCI, NSEI, LSP, Refer to DL-UNITDATA PDU |
| BSSGP-UL-UNITDATA | - | X | | | BVCI, NSEI, Refer to UL-UNITDATA PDU |
| BSSGP-PTM-UNITDATA | X | - | - | - | BVCI, NSEI, Refer to PTM-UNITDATA PDU |
| GMM ⇔ BSSGP | | | | | |

| Generic name | Type | | | | Parameters |
|------------------------------|---------|------------|----------|---------|---|
| | REQuest | INDication | RESponse | CoNFirm | |
| GMM-PAGING | X | - | - | - | BVCI, NSEI, Refer to PAGING PS PDU Refer to PAGING CS PDU |
| GMM-RA-CAPABILITY | X | | | | BVCI, NSEI, Refer to RA-CAPABILITY PDU |
| GMM-RA-CAPABILITY- UPDATE | - | X | X | - | BVCI, NSEI, Refer to RA-CAPABILITY- UPDATE PDU, Refer to RA-CAPABILITY- UPDATE-ACK PDU |
| GMM-RADIO-STATUS | - | X | - | - | BVCI, NSEI, Refer to RADIO-STATUS PDU |
| GMM-SUSPEND | - | X | - | - | BVCI, NSEI, Refer to SUSPEND PDU Refer to SUSPEND-(N)ACK PDU |
| GMM-RESUME | - | X | - | - | BVCI, NSEI, Refer to RESUME PDU Refer to RESUME-(N)ACK PDU |
| NM ⇔ BSSGP | | | | | |
| NM-FLUSH-LL | X | - | - | X | BVCI, NSEI, Refer to FLUSH-LL PDU Refer to FLUSH-LL-ACK PDU |
| NM-LLC-DISCARDED | - | X | - | - | BVCI, NSEI, Refer to LLC-DISCARDED PDU |
| NM-FLOW-CONTROL- BVC | - | X | - | - | BVCI, NSEI, Refer to FLOW-CONTROL- BVC PDU Refer to FLOW- CONTROL-BVC ACK PDU |
| NM-FLOW-CONTROL- MS | - | X | - | - | BVCI, NSEI, Refer to FLOW-CONTROL- MS PDU Refer to FLOW- CONTROL-MS ACK PDU |
| NM-FLOW-CONTROL- PFC | - | X | - | - | BVCI, NSEI, Refer to FLOW-CONTROL- PFC PDU Refer to FLOW- CONTROL-PFC ACK PDU |
| NM-STATUS | X | X | - | - | BVCI, NSEI, Refer to STATUS PDU |
| NM-BVC-BLOCK | - | X | - | - | BVCI, NSEI, Refer to BVC-BLOCK PDU Refer to BVC-BLOCK-ACK PDU |

| Generic name | Type | | | | Parameters |
|--------------------------|---------|------------|----------|---------|---|
| | REQuest | INDication | RESponse | CoNFirm | |
| NM-BVC-UNBLOCK | - | X | - | - | BVCI, NSEI, Refer to BVC-UNBLOCK PDU Refer to BVC-UNBLOCK- ACK PDU |
| NM-BVC-RESET | X | X | X | X | BVCI, NSEI, Refer to BVC-RESET PDU Refer to BVC-RESET-ACK PDU |
| NM-TRACE | X | - | - | - | BVCI, NSEI, Refer to SGSN-INVOKE- TRACE PDU |
| PFM ⇔ BSSGP | | | | | |
| PFM-DOWNLOAD-BSS-PFC | - | X | - | - | BVCI, NSEI Refer to DOWNLOAD-BSS- PFC PDU |
| PFM-CREATE-BSS-PFC | X | - | - | X | BVCI, NSEI Refer to CREATE-BSS-PFC PDU Refer to CREATE-BSS- PFC-ACK PDU Refer to CREATE-BSS- PFC-NACK PDU |
| PFM-MODIFY-BSS-PFC | | X | X | | BVCI, NSEI Refer to MODIFY-BSS-PFC PDU Refer to MODIFY-BSS- PFC-ACK PDU |
| PFM-DELETE-BSS-PFC | X | - | - | X | BVCI, NSEI Refer to DELETE-BSS-PFC PDU Refer to DELETE-BSS- PFC-ACK PDU |
| LCS ⇔ BSSGP | | | | | |
| LCS-LOCATE | X | - | - | X | BVCI, NSEI Refer to PERFORM- LOCATION-REQUEST PDU Refer to PERFORM- LOCATION-RESPONSE PDU |
| LCS-ABORT | X | - | - | - | BVCI, NSEI Refer to PERFORM- LOCATION-ABORT PDU |
| LCS-INFORMATION-TRANSFER | - | X | X | - | BVCI, NSEI Refer to POSITION- COMMAND PDU Refer to POSITION- RESPONSE PDU |

| Generic name | Type | | | | Parameters |
|-----------------------------|---------|------------|----------|---------|--|
| | REQuest | INDication | RESponse | CoNFirm | |
| RIM ⇄ BSSGP | | | | | |
| RIM-RAN-INFORMATION | X | X | X | X | BVCI, NSEI Refer to RAN-INFORMATION PDU; Refer to RAN-INFORMATION-ACK PDU; |
| RIM-RAN-INFORMATION-REQUEST | X | X | - | - | BVCI, NSEI Refer to RAN-INFORMATION-REQUEST PDU |
| RIM-RAN-INFORMATION-ERROR | X | X | - | - | BVCI, NSEI Refer to RAN-INFORMATION-ERROR PDU |

NOTE: The parameters in the BSSGP-DL-UNITDATA and BSSGP-UL-UNITDATA primitives that are not included in the corresponding primitives in 3GPP TS 44.064 are provided or extracted by some intermediate function out of the scope of the present document.

5.3.1 BSSGP-DL-UNITDATA.req

Request to send a DL-UNITDATA PDU to a BSS from an SGSN containing an LLC-PDU and control information necessary for the transmission of the LLC-PDU across the radio interface.

5.3.2 BSSGP-UL-UNITDATA.ind

Receipt of a UL-UNITDATA PDU from a BSS by an SGSN containing an LLC-PDU and radio interface derived information.

5.3.3 BSSGP-PTM-UNITDATA.req

This shall be developed in GPRS phase 2.

5.3.4 GMM-PAGING.req

Request to send a PAGING PS or PAGING CS PDU from an SGSN to a BSS containing instructions to page an MS within a given group of cells.

5.3.5 GMM-RA-CAPABILITY.req

Request to send a RA-CAPABILITY PDU to the BSS from an SGSN containing the Radio Access capability of an MS.

5.3.6 GMM-RA-CAPABILITY-UPDATE.ind

Receipt of a RA-CAPABILITY-UPDATE PDU from a BSS by an SGSN, requesting that the SGSN sends the Radio Access capability of an MS to the BSS.

5.3.7 GMM-RA-CAPABILITY-UPDATE.res

Sending of a RA-CAPABILITY-UPDATE-ACK PDU to the BSS from an SGSN containing the current Radio Access capability of an MS.

5.3.8 GMM-RADIO-STATUS.ind

Receipt of a RADIO-STATUS PDU from a BSS by an SGSN to report that an exception condition occurred in the operation of the radio interface for an MS.

5.3.9 GMM-SUSPEND.ind

Receipt of a SUSPEND PDU from a BSS by an SGSN indicating that an MS wishes to suspended its GPRS service.

5.3.10 GMM-RESUME.ind

Receipt of a RESUME PDU from a BSS by an SGSN indicating that an MS wishes to resume its GPRS service.

5.3.11 NM-FLUSH-LL.req

Request to send a FLUSH-LL PDU from an SGSN to a BSS, instructing the BSS to either delete queued LLC-PDUs for a TLLI or move the queued LLC-PDUs from an old to a new BVC.

5.3.12 NM-FLUSH-LL.cnf

Receipt of a FLUSH-LL-ACK PDU at an SGSN informing if the queued LLC-PDU(s) for an MS were deleted or transferred from the old to the new cell within the routing area. The FLUSH-LL-ACK PDU may also report whether the QoS characteristics of the BSS context associated to the MS could be kept in the new cell.

5.3.13 NM-LLC-DISCARDED.ind

Receipt of a LLC-DISCARDED PDU from a BSS by an SGSN indicating that LLC frames pertaining to an MS have been locally discarded.

5.3.14 NM-FLOW-CONTROL-BVC.ind

Receipt of a FLOW-CONTROL-BVC PDU from a BSS by an SGSN indicating the ability of a BVC to accept a certain flow of data.

5.3.15 NM-FLOW-CONTROL-MS.ind

Receipt of a FLOW-CONTROL-MS PDU from a BSS by an SGSN indicating the ability to accept a certain flow of data for a given MS.

5.3.15a NM-FLOW-CONTROL-PFC.ind

Receipt of a FLOW-CONTROL-PFC PDU from a BSS by an SGSN indicating the ability to accept a certain flow of data for a given PFC of a given MS.

5.3.16 NM-STATUS.req

Request to send a STATUS PDU to a BSS from an SGSN to report that an exception condition occurred within an SGSN.

5.3.17 NM-STATUS.ind

Receipt of a STATUS PDU from a BSS by an SGSN indicating an exception condition occurred within the BSS.

5.3.18 NM-BVC-BLOCK.ind

Receipt of a BVC-BLOCK PDU from a BSS by an SGSN indicating that a BVC shall be marked as blocked.

5.3.19 NM-BVC-UNBLOCK.ind

Receipt of a BVC-UNBLOCK PDU from a BSS by an SGSN indicating that a BVC shall be marked as unblocked.

5.3.20 NM-BVC-RESET.req

Request to send a BVC-RESET PDU to a BSS from an SGSN to reset a BSS's GPRS BVC contexts.

5.3.21 NM-BVC-RESET.res

Sending of a BVC-RESET-ACK PDU to the BSS from a SGSN indicating that a GPRS BVC context has been reset in the SGSN.

5.3.22 NM-BVC-RESET.ind

Receipt of a BVC-RESET PDU at an SGSN from a BSS indicating that GPRS BVC contexts have been reset at the BSS.

5.3.23 NM-BVC-RESET.cnf

Receipt of a BVC-RESET-ACK PDU at an SGSN confirming that GPRS BVC contexts have been reset at the BSS.

5.3.24 NM-TRACE.req

Request to send an SGSN-INVOKE-TRACE PDU to a BSS from an SGSN to begin producing a trace record on an MS.

5.3.25 PFM-DOWNLOAD-BSS-PFC.ind

Receipt of a DOWNLOAD-BSS-PFC PDU at an SGSN from a BSS.

5.3.26 PFM-CREATE-BSS-PFC.req

Sending of a CREATE-BSS-PFC PDU to a BSS from an SGSN requesting that the BSS should create or modify a BSS Packet Flow Context using the Aggregate BSS QoS Profile.

5.3.27 PFM-CREATE-BSS-PFC.cnf

Receipt of a CREATE-BSS-PFC-ACK PDU at an SGSN from a BSS confirming the creation or modification of a BSS Packet Flow Context using the Aggregate BSS QoS Profile or a CREATE-BSS-PFC-NACK in to indicate the BSS was unable to create the PFC.

5.3.28 PFM-MODIFY-BSS-PFC.ind

Receipt of a MODIFY-BSS-PFC PDU at an SGSN from a BSS to modify an Aggregate BSS QoS Profile.

5.3.29 PFM-MODIFY-BSS-PFC.res

Sending of a MODIFY-BSS-PFC-ACK PDU to a BSS from an SGSN to respond with an Aggregate BSS QoS Profile.

5.3.30 PFM-DELETE-BSS-PFC.req

Sending of a DELETE-BSS-PFC PDU to a BSS from an SGSN to delete an Aggregate BSS QoS Profile.

5.3.31 PFM-DELETE-BSS-PFC.cnf

Receipt of a DELETE-BSS-PFC-ACK PDU at an SGSN from a BSS to confirm the deletion of an Aggregate BSS QoS Profile.

5.3.32 LCS-LOCATE.req

Sending of a PERFORM-LOCATION-REQUEST PDU at an SGSN requesting a location procedure for a target MS.

5.3.33 LCS-LOCATE.cnf

Receipt of a PERFORM-LOCATION-RESPONSE PDU confirming that the location request for a target MS has been attempted indicating the result of this attempt.

5.3.34 LCS-ABORT.req

Sending of a PERFORM-LOCATION-ABORT PDU from an SGSN to a BSS requesting an abort of a location procedure for a target MS.

5.3.35 LCS-INFORMATION-TRANSFER.ind

Receipt of a POSITION-COMMAND PDU at an SGSN from a BSS requesting a transfer of a higher level protocol message.

5.3.36 LCS-INFORMATION-TRANSFER.res

Sending of a POSITION-RESPONSE PDU from an SGSN to a BSS indicating the result of the message transfer and possibly including the transfer of a new higher layer protocol message.

5.3.37 RIM-RAN-INFORMATION.req

Sending of a RAN-INFORMATION PDU to a BSS from an SGSN.

5.3.38 RIM-RAN-INFORMATION.ind

Receipt of a RAN-INFORMATION PDU at an SGSN from a BSS for routing of the PDU to another BSS.

5.3.39 RIM-RAN-INFORMATION.res

Sending of a RAN-INFORMATION-ACK PDU to a BSS from an SGSN.

5.3.40 RIM-RAN-INFORMATION.cnf

Receipt of a RAN-INFORMATION-ACK PDU at an SGSN from a BSS for routing of the PDU to another BSS.

5.3.41 RIM-RAN-INFORMATION-REQUEST.req

Sending of a RAN-INFORMATION-REQUEST PDU to a BSS from an SGSN.

5.3.42 RIM-RAN-INFORMATION-REQUEST.ind

Receipt of a RAN-INFORMATION-REQUEST PDU at an SGSN from a BSS for routing of the PDU to another BSS.

5.3.43 RIM-RAN-INFORMATION-ERROR.req

Sending of a RAN-INFORMATION-ERROR PDU to a BSS from an SGSN.

5.3.44 RIM-RAN-INFORMATION-ERROR.ind

Receipt of a RAN-INFORMATION-ERROR PDU at an SGSN from a BSS for routing of the PDU to another BSS.

5.4 Primitive parameters

5.4.1 BSSGP Virtual Connection Identifier (BVCI)

BSSGP Virtual Connections (BVCs) provide communication paths between BSSGP entities. Each BVC is used in the transport of BSSGP PDUs between peer point-to-point (PTP) functional entities, peer point-to-multipoint (PTM) functional entities and peer signalling functional entities. Table 5.4.1 lists the mapping of the BSSGP PDU to the associated functional entity and the BVCI. The BVCI is used to enable the lower network service layer to efficiently route the BSSGP PDU to the peer entity. This parameter is not part of the BSSGP PDU across the Gb interface, but is used by the network service entity across the Gb.

Any BSSGP PDU received by the BSS or the SGSN containing a PDU type that does not fit, according to the mapping defined in table 5.4.1, with the functional entity identified by the BVCI provided by the network service entity, is discarded and a STATUS PDU with a cause value set to "Protocol error - unspecified" is sent.

A PTP functional entity is responsible for PTP user data transmission. There is one PTP functional entity per cell. Within the present document, a cell is identified by a BVCI unless it is explicitly stated otherwise.

A PTM functional entity is responsible for PTM user data transmission. There is one or more PTM functional entities per BSS.

A signalling functional entity is responsible for other functions e.g. paging. There is only one signalling entity per Network Service Entity (NSE). There is one or more NSEs per BSS.

Each BVC is identified by means of a BSSGP Virtual Connection Identifier (BVCI) which has end-to-end significance across the Gb interface. Each BVCI is unique between two peer Network Service Entities.

In the BSS, it shall be possible to configure BVCI's statically by administrative means, or dynamically. In case of dynamic configuration, the BSSGP shall accept any BVCI passed by the underlying Network Service entity.

At the SGSN side, BVCI's associated with PTP functional entities shall be dynamically configured. The BVCI's associated with signalling functional entities and PTM functional entities are statically configured.

The BVCI value 0000 hex shall be used for the signalling functional entities.

The BVCI value 0001 hex shall be used for the PTM functional entities.

All other values may be used freely by the BSS and shall be accepted by the SGSN.

Table 5.4.1: BSSGP PDU, BVCI and functional entity mapping

| BSSGP PDU | Mapping of BVCI to functional entity |
|---|--------------------------------------|
| DL-UNITDATA | PTP |
| UL-UNITDATA | PTP |
| RA-CAPABILITY | PTP |
| PTM-UNITDATA | PTM |
| PAGING-PS | PTP or SIGNALLING (note 1) |
| PAGING-CS | PTP or SIGNALLING (note 2) |
| RA-CAPABILITY-UPDATE / RA-CAPABILITY-UPDATE-ACK | PTP |
| RADIO-STATUS | PTP |
| SUSPEND / SUSPEND-ACK / SUSPEND-NACK | SIGNALLING |
| RESUME / RESUME-ACK / RESUME-NACK | SIGNALLING |
| FLUSH-LL / FLUSH-LL-ACK | SIGNALLING |
| LLC DISCARDED | SIGNALLING |
| FLOW-CONTROL-BVC / FLOW-CONTROL-BVC-ACK | PTP |
| FLOW-CONTROL-MS / FLOW-CONTROL-MS-ACK | PTP |
| FLOW-CONTROL-PFC / FLOW-CONTROL-PFC-ACK | PTP |
| STATUS | PTP or PTM or SIGNALLING (note 3) |
| BVC-BLOCK / BVC-BLOCK-ACK | SIGNALLING |
| BVC-UNBLOCK / BVC-UNBLOCK-ACK | SIGNALLING |
| BVC-RESET / BVC-RESET-ACK | SIGNALLING |
| SGSN-INVOKE-TRACE | SIGNALLING |
| DOWNLOAD-BSS-PFC | PTP |
| CREATE-BSS-PFC / CREATE-BSS-PFC-ACK / CREATE-BSS-PFC-NACK | PTP |
| MODIFY-BSS-PFC / MODIFY-BSS-PFC-ACK | PTP |
| DELETE-BSS-PFC / DELETE-BSS-PFC-ACK | PTP |

| | |
|--|------------|
| PERFORM-LOCATION-REQUEST / PERFORM-LOCATION-RESPONSE / PERFORM-LOCATION-ABORT | SIGNALLING |
| POSITION-COMMAND / POSITION-RESPONSE | SIGNALLING |
| RAN-INFORMATION-ACK/ RAN-INFORMATION-REQUEST/ RAN-INFORMATION-ERROR/ | SIGNALLING |
| NOTE 1: The network may initiate paging of an MS in READY mobility management state at an indication of a lower layer failure (see 3GPP TS 24.008 sub-clause 4.7.9.1). In this case, the BVCI=PTP may be used. | |
| NOTE 2: If the network initiates circuit-switched paging of a MS in READY mobility management state (e.g. a MS in class A or B mode of operation and in packet transfer mode), then the BVCI=PTP. If the MS is in STANDBY state, then the BVCI=SIGNALLING. | |
| NOTE 3: The setting of the BVCI is dependent upon the context within which the STATUS PDU was generated. | |

5.4.2 Link Selector Parameter (LSP)

The link selector parameter is defined in 3GPP TS 48.016 [16]. At one side of the Gb interface, all BSSGP UNITDATA PDUs related to an MS shall be passed with the same LSP, e.g. the LSP contains the MS's TLLI, to the underlying network service. The LSPs used at the BSS and SGSN for the same MS may be set to different values.

5.4.3 [functional-name] PDU

The parameters that make up a [functional-name] PDU are defined in sub-clause 10, "PDU Functional Definitions and contents".

5.4.4 Network Service Entity Identifier (NSEI)

The Network Service Entity at the BSS and the SGSN provides the network management functionality required for the operation of the Gb interface. The Network Service Entity is described in 3GPP TS 48.016.

Each Network Service Entity is identified by means of a Network Service Entity Identifier (NSEI). The NSEI together with the BVCI uniquely identifies a BSGP Virtual Connection (e.g. a PTP functional entity) within an SGSN. The NSEI is used by the BSS and the SGSN to determine the NS-VCs that provides service to a BVCI.

5.4.5 BSS Context

The SGSN can provide a BSS with information related to ongoing user data transmission. The information related to one MS is stored in a BSS context. The BSS may contain BSS contexts for several MSs. A BSS context contains a number of BSS packet flow contexts. A BSS packet flow context is identified by a packet flow identifier assigned by the SGSN. There are four pre-defined packet flows identified by four reserved packet flow identifier values. One pre-defined packet flow is used for best-effort service, one for signalling, one for SMS, and one for LCS. The BSS shall not negotiate BSS packet flow contexts for these pre-defined packet flows with the SGSN.

6 User data and signalling procedures between RL and BSSGP SAPs

6.1 Downlink UNITDATA procedure

On the downlink, a DL-UNITDATA PDU shall contain information elements to be used by the RLC/MAC function and an LLC-PDU. There shall be only one LLC-PDU per DL-UNITDATA PDU. The LLC-PDU shall always be the last information element in the DL-UNITDATA PDU, and shall be aligned on a 32 bit boundary for efficient processing.

An SGSN provides the BSSGP with a current TLLI, identifying the MS. If an SGSN provides a second TLLI, indicating that an MS has recently changed its TLLI, this shall be considered as the "old" TLLI. A BSS uses the "old" TLLI to locate an MS's existing context. Subsequent uplink data transfers for this MS shall reference the current TLLI, and not the old TLLI.

The SGSN shall include the IMSI in the PDU. As an exception, the SGSN may omit the IMSI in the PDU if the mobile station identified by the TLLI is in MM non-DRX mode period (i.e. during a GMM procedure for *GPRS attach* or *routing area updating* defined in 3GPP TS 24.008 [11]) and the SGSN does not have a valid IMSI.

The SGSN may include the *Service UTRAN CCO* (Cell Change Order) information element in the PDU (relevant if the *network initiated cell change order to UTRAN* procedure is used). If this information element is received in both the DL-UNITDATA PDU and the CREATE-BSS-PFC PDU, the information element received in the DL-UNITDATA PDU shall take precedence.

If the SGSN has valid DRX Parameters for a TLLI, then the SGSN shall include them in the PDU. Nevertheless, the SGSN can omit the DRX Parameters if the MS identified with the TLLI is in MM non-DRX mode period to speed up the transmission of the LLC-PDU on the radio interface. The SGSN shall not send a DL-UNITDATA PDU without the DRX Parameters IE if the MS identified with the TLLI is not in MM non-DRX mode period.

An SGSN provides the BSSGP with MS specific information, enabling the RLC/MAC entity in a BSS to transmit an LLC-PDU to the MS in a user specific manner. The information made available to the radio interface includes:

- MS Radio Access Capability. This defines the radio capabilities of the ME. If there is valid MS Radio Access Capability information known by the SGSN for the associated MS, the SGSN shall include it in the DL-UNITDATA PDU. Otherwise, MS Radio Access Capability shall not be present;
- Packet Flow Identifier. This identifies the packet flow context associated with the LLC PDU and is included by the SGSN if the packet flow context feature is negotiated. If the mobile station does not support the PFC feature or if the PFI is not known (e.g. the new SGSN did not get the PFI from the old SGSN during a RAU) then the SGSN shall use the pre-defined PFI to indicate best-effort QoS;
- QoS Profile. This defines the (peak) bit rate, the type of BSSGP's SDU (signalling or data), the type of LLC frame (ACK, SACK, or not), the precedence class, and the transmission mode to be used when transmitting the LLC-PDU across the radio interface. If the PFI is included then the maximum bit rate for downlink specified in the PFC ABQP shall supersede the peak bit rate specified in the QoS Profile IE;
- PDU Lifetime. This defines the remaining time period that the PDU is considered as valid within the BSS. If the PDU is held for a period exceeding the "PDU Lifetime" time period, the PDU shall be locally discarded. The PDU Lifetime is set within the SGSN by the upper layers.

A BSS may incorporate the PDU Lifetime, the Precedence and the (peak) bit rate into its radio resource scheduler. If the PFI is present then the BSS may incorporate the information from the associated ABQP into its radio resource scheduler. The algorithm to do this is out of scope of the present document.

Two types of BSSGP SDU are distinguished within the QoS Profile: layer 3 signalling and data. Layer 3 signalling may be transmitted over the Um interface with higher protection. If the MS has an RR connection to the network (see 3GPP TS 44.018), Layer 3 signalling may be transmitted over the Um interface on the main signalling link of the RR connection, provided that the LLC PDU meets length restrictions imposed by the BSS. In this case, the BSS shall include the LLC PDU contained in the BSSGP PDU in the correspondent Layer 3 Um interface message (see 3GPP TS 44.018).

The type of LLC frame indicates if the LLC frame type is an ACK or SACK command/response, or not (see 3GPP TS 44.064). An ACK or SACK command/response frame type may be transmitted over the Um interface with higher protection.

Two transmission modes across the radio interface are possible: acknowledged (using RLC/MAC ARQ functionality) and unacknowledged (using RLC/MAC unitdata functionality). These transmission modes do not apply when the MS has an RR connection to the network and BSS uses the main signalling link of the RR connection, in which case the acknowledged transmission mode is used.

If Priority is present, only the priority-level field shall be regarded. The management of priority levels is implementation dependent and under operator control. The preemption capability indicator, the queuing allowed indicator and preemption vulnerability indicator shall be ignored.

In addition to constructing the DL-UNITDATA, the SGSN supplies the LSP, the BVCI, the NSEI, and for an IP sub-network the NS Change IP endpoint, associated with the MS to the lower layer network service, enabling network service routing to the peer entity. These parameters are not transmitted as part of the BSSGP across the Gb-interface for the purpose of identifying the receiving endpoint (they are sent in the BSSGP Perform-Location-Request PDU to identify the serving cell of the target MS).

If the Gb-interface is supported using an IP sub-network, then the Resource Distribution function at the SGSN may transmit a BSSGP DL-UNITDATA PDU with an LLC-PDU Length Indicator set to 0. The BSS uses this DL-UNITDATA to change the IP endpoint at the SGSN to which any future UL-UNITDATA for the TLLI (indicated in the DL-UNITDATA) is sent. The LLC-PDU with a Length Indicator set to 0 is not sent across the radio interface.

In the case where localised service area is supported the SGSN may inform the BSS as to which LSA identities that the mobile has preferences by sending the LSA INFORMATION element. The BSS stores this information and uses it e.g. for network controlled cell re-selection when determining specific cell selection parameters for the mobile. The algorithm for determining specific cell selection parameters for the mobile is not defined further in the present document.

6.1.1 Abnormal conditions

The following actions are defined in periods of congestion.

To satisfy the maximum number of service requests, the BSS may redistribute MSs among cells (i.e. network controlled cell reselection is initiated). If this occurs, the BSS may inform the SGSN through the RADIO STATUS PDU (Radio Cause value: cell reselection ordered). The BSS shall update any internal references that indicate the location of the MS. The BSS may attempt to internally re-route queued LLC frames to an MS that has been moved to a new cell. If this functionality is not supported, or if it is not possible to internally re-route LLC frames, the LLC frame shall be discarded.

It is the responsibility of the higher layer protocols in the SGSN to cope with discarded LLC frames.

6.2 Uplink UNITDATA procedure

On the uplink, a UL-UNITDATA PDU shall contain information elements derived from the RLC/MAC function (except when GTP is used in the Um interface, see 3GPP TS 44.018), meaningful to higher-layer protocols in an SGSN, and an LLC-PDU. There shall be only one LLC-PDU per UL-UNITDATA PDU. The LLC-PDU shall always be the last information element in the UL-UNITDATA PDU, and shall be aligned on a 32 bit boundary for efficient processing.

The BSS shall provide the TLLI, received from the MS, to the SGSN.

The BSS shall provide a BVCI and an NSEI indicating the PTP functional entity (i.e. the cell) upon which the LLC-PDU was received. The SGSN shall obtain the BVCI, the NSEI, and in the case of an IP sub-network may obtain the LSP and the NS Change IP endpoint, from the underlying network service; the BVCI and the NSEI are not visible in the UL-UNITDATA PDU.

The BSS provides the SGSN with the QoS Profile used in the LLC-PDU's transmission from the mobile station across the radio interface.

- QoS Profile. This reports the (peak) bit rate, the precedence used at radio access and the transmission mode used across the radio path. The type of the BSSGP SDU, layer 3 signalling or data, and the type of LLC frame, SACK, ACK, or not, are not meaningful on the uplink and shall be ignored.
- Packet Flow Identifier. This identifies the packet flow context that is obtained from the mobile. If the mobile station does not provide a PFI then the BSS shall use the pre-defined PFI to indicate best-effort QoS.

In order to support location based services, the BSS shall include the cell identifier of the cell upon which the LLC-PDU was received.

In the case where localised service area is supported, the BSS shall include the LSA identities of the cell upon which the LLC-SDU was received. The BSS may exclude LSA identities that are not included in the LSA INFORMATION element.

In addition to constructing the UL-UNITDATA, the BSS supplies the LSP, the NSEI, the BVCI, and for an IP sub-network the NS Change IP endpoint, associated with the MS to the lower layer network service, enabling network service routing to the peer entity. These parameters are not transmitted as part of the BSSGP across the Gb-interface. If the Gb-interface is supported using an IP sub-network, then the Resource Distribution function at the BSS may transmit a BSSGP UL-UNITDATA PDU with an LLC-PDU Length Indicator set to 0. The SGSN uses this UL-UNITDATA to change the IP endpoint at the BSS to which any future DL-UNITDATA for the TLLI (indicated in the UL-UNITDATA) is sent.

6.2.1 Abnormal conditions

None specified.

6.3 RA-CAPABILITY procedure

The SGSN stores an MS's current radio access capability (which may be changed by higher layer mobility management procedures). An MS's current radio access capability, and the TLLI identifying the MS, are conveyed to a BSS in a RA-CAPABILITY PDU. The received MS's radio access capability, if valid, shall then replace any radio access capability previously associated with the MS.

6.3.1 Abnormal conditions

If the BSS receives an unknown Access Technology Type in the MS Radio Access Capability field, it shall ignore the fields associated with that Access Technology type.

If the BSS receives unknown fields within a known Access Technology Type in the MS Radio Access Capability field, it shall ignore the unknown fields.

7 Signalling procedures between GMM SAPs

7.1 Paging procedure

When an SGSN initiates the paging procedure for GPRS services as defined in 3GPP TS 24.008 [11], it shall send one or more PAGING-PS PDUs to the BSS.

When instructed by an MSC/VLR to initiate a paging procedure for non-GPRS services as defined in 3GPP TS 24.008 [11], an SGSN shall send one or more PAGING-CS PDUs to the BSS.

These paging PDUs shall contain the information elements necessary for the BSS to initiate paging for an MS within a group of cells.

The SGSN provides an indication of the cells within which the BSS shall page the MS. The levels of resolution within one BSS are: all cells within the BSS, all cells on the BSS within one location area, all cells on the BSS within one routing area, and one BVCI (i.e. cell). A routing area, a location area, or a BSS area is associated with one or more NSEIs. If the cells in which to page the MS are served by several NSEIs then one paging PDU must be sent to each of these NSEIs.

A paging PDU shall be used to generate the corresponding radio interface paging request message(s) to be transmitted at the appropriate time.

It should be noted that each paging PDU relates to only one MS and therefore a BSS may pack pages for different MSs into the relevant 3GPP TS 24.008 [11] or 3GPP TS 44.060 radio interface paging request messages.

In the case of paging for non-GPRS services, the SGSN shall provide the MS's IMSI and DRX Parameters. The SGSN shall also include the Global CN-Id information element in the paging PDU when this information element is received from the MSC/VLR. The Global CN-Id information element is received from the MSC/VLR if paging using only the IMSI parameter as identifier of the MS is performed via the SGSN when the MSC/VLR applies intra domain connection of RAN nodes to multiple CN nodes as described in 3GPP TS 23.236 [27]. The BSS shall then buffer this information element until receiving the paging response from the MS in order to route the paging response to the correct MSC/VLR.

In the case of paging for GPRS services, the SGSN shall provide the MS's IMSI. If DRX Parameters are available, the SGSN shall also provide the DRX Parameters.

NOTE: The IMSI and the DRX Parameters enable the BSS to derive the paging population number. Paging without DRX parameters may require a considerable extension of the paging duration.

An SGSN may provide the BSSGP with MS specific information, enabling a BSS to execute the paging procedure in an MS specific manner. This includes:

- QoS Profile. The Precedence parameter is set by the upper layers [in the SGSN]. The SGSN shall set the bit rate parameter to "best effort". The SGSN shall set the transmission mode to unacknowledged. The BSS shall ignore the received bit rate, the BSSGP SDU type, LLC type, and transmission mode parameters;
- PFI or an aggregate BSS QoS profile information which indicates if the page is for signalling, for SMS, for LCS, for best-effort, or for a specific packet flow. The aggregate BSS QoS profile in this case is used for paging only and is not stored by the BSS. If both of the optional PFI and ABQP IEs are present, the ABQP takes precedence.

If an SGSN provides a P-TMSI in a PAGING-PS PDU, then the BSS shall use the P-TMSI to address the MS. If the SGSN does not provide the P-TMSI in the PAGING-PS PDU, then the BSS shall use the IMSI to address the MS.

If an SGSN provides a TLLI in a PAGING-CS PDU and a radio context identified by the TLLI exists within the BSS, then the paging request message shall be directly sent to the MS. If the SGSN does not provide the TLLI in the PAGING-CS PDU or if no radio context identified by the TLLI exists within the BSS, then the BSS shall use the TMSI, if provided in the PAGING-CS PDU, else the IMSI, to address the MS.

The PAGING-CS PDU consists of the parameters described above for a PAGING-PS PDU (except the P-TMSI, PFI, ABQP and QoS profile parameters) and, optionally, some or all of the following parameters; TMSI, TLLI, Global CN-Id, Channel Needed and eMLPP-Priority. The Channel Needed and eMLPP-Priority information shall be handled transparently by the BSS.

7.2 Radio Access Capability Update procedure

The BSS may request an MS's current Radio Access capability and/or its IMSI by sending to an SGSN a RA-CAPABILITY-UPDATE PDU which includes the TLLI of the MS and a Tag. The allocation of the Tag is implementation specific. The BSS then starts timer T5.

The SGSN shall respond by sending a RA-CAPABILITY-UPDATE-ACK PDU which includes the TLLI of the MS, the Tag received in the corresponding RA-CAPABILITY-UPDATE PDU, and an RA-Cap-UPD-Cause field; the IMSI of the MS is also included when known. The BSS shall stop timer T5.

If the RA-Cap-UPD-Cause is set to "OK", then an MS Radio Access Capability field and the IMSI shall be present. The received MS's radio access capability, if valid, shall then replace any radio access capability previously associated with the MS. If the RA-Cap-UPD-Cause is not set to "OK", then neither the MS Radio Access Capability nor the IMSI shall be present in the RA-CAPABILITY-UPDATE-ACK PDU.

7.2.1 Abnormal conditions

If an SGSN receives a RA-CAPABILITY-UPDATE PDU which includes an unknown TLLI, it shall answer with a RA-CAPABILITY-UPDATE-ACK PDU which includes the RA-CAP-UPD-Cause set to the value "TLLI unknown".

If an SGSN receives a RA-CAPABILITY-UPDATE PDU which includes a known TLLI, but there are no Radio Access parameters or IMSI known to the SGSN for the associated MS, the SGSN shall reply to the request with a RA-CAPABILITY-UPDATE-ACK PDU in which the RA-CAP-UPD-Cause is set to: "no RA capability or IMSI available".

If a BSS receives a RA-CAPABILITY-UPDATE-ACK PDU containing a Tag which is different from the last transmitted Tag by the BSS, it shall ignore the reception of this PDU.

If a BSS sends a RA-CAPABILITY-UPDATE PDU to an SGSN and the RA-CAPABILITY-UPDATE-ACK is not returned within a period T5 with the same Tag value as provided in the request, the RA-CAPABILITY-UPDATE procedure shall be repeated a maximum of RA-CAPABILITY-UPDATE-RETRIES attempts. The Tag value shall be changed by the BSS at each new retry.

7.3 Radio Status procedure

A BSS and an MS radio interface communication may not be successfully completed as requested because:

- 1) the MS goes out of coverage and is lost;

This condition is signalled by setting the Radio Cause value to "Radio contact lost with MS".

- 2) the link quality is too bad to continue the communication;

This condition is signalled by setting the Radio Cause value to "Radio link quality insufficient to continue communication".

- 3) the BSS has ordered the MS to perform a cell-reselection.

This condition is signalled by setting the Radio Cause value to "cell-reselection ordered".

Conditions 1) and 2) indicate that attempts to communicate between an MS and an SGSN via this cell should be suspended or abandoned. An SGSN shall stop sending LLC-PDUs to the cell for the MS. The criteria for deciding whether condition 1) or 2) has occurred is not in the scope of the present document.

The conditions for resuming a suspended or abandoned communication between an MS and SGSN are defined in 3GPP TS 24.008 [11].

Condition 3) indicates that the SGSN should wait for a cell update before resuming the transmission of LLC-PDUs to the BSS.

A BSS shall signal these exception conditions to an SGSN by sending a RADIO-STATUS PDU. It shall contain a reference to the MS, either TLLI or TMSI or IMSI, and an indication of the exception condition, i.e. the Radio Cause value.

NOTE: After receipt of a RADIO-STATUS PDU, the SGSN should try to locate the mobile station in case any downlink LLC PDU needs to be sent to the mobile station, as it can not expect to receive systematically an uplink LLC PDU from the mobile station to resume the downlink transfer. To this avail, the SGSN should send a PAGING-PS PDU towards the mobile station.

7.4 SUSPEND procedure

If the MS signals to the BSS that it wishes its GPRS service to be suspended, the BSS shall send a SUSPEND PDU to the SGSN and start timer T3. Actions within the SGSN while an MS is suspended are not specified, but paging is typically stopped. The SUSPEND PDU contains:

- the TLLI of the MS; and
- the Routing Area of the MS as received in the Layer 3 Um interface message GPRS Suspension Request (see 3GPP TS 44.018).

For each SUSPEND PDU received by an SGSN, a SUSPEND-ACK PDU shall be returned to the BSS. Upon reception of the SUSPEND-ACK PDU, the BSS shall stop T3. The SUSPEND-ACK PDU contains:

- the TLLI of the MS as received in the SUSPEND PDU;
- the Routing Area of the MS as received in the SUSPEND PDU; and
- the Suspend Reference Number.

The SGSN generates the Suspend Reference Number in a manner that it enables it to differentiate between different SUSPEND PDUs relating to the same MS.

7.4.1 Abnormal conditions

If a SUSPEND-ACK PDU is not received for a SUSPEND PDU within T3 seconds, then the SUSPEND PDU procedure shall be repeated a maximum of SUSPEND-RETRIES attempts. After SUSPEND-RETRIES attempts the procedure is stopped and the O&M system is informed.

If a SUSPEND-ACK PDU is received for an MS that is already marked as suspended, then the SUSPEND-ACK PDU is ignored.

If a SUSPEND PDU refers to an MS which is unknown in the SGSN, then a SUSPEND-NACK PDU is returned containing a cause value (Cause value: Unknown MS). The BSS shall stop the SUSPEND procedure.

If the Suspend procedure is supported on the Gn interface, in case of an inter-SGSN suspend procedure the MS shall not be treated as unknown in the SGSN when the RA indicated in the SUSPEND PDU is not served by the SGSN.

7.5 RESUME procedure

When the reason why a GPRS-attached MS was suspended disappears, i.e.:

- it leaves dedicated mode, disconnecting the MS from the MSC; or
- it is handed over to a cell that supports DTM;

the BSS shall either a) instruct the MS to initiate the Routeing Area Update procedure, or b) signal to the SGSN that an MS's GPRS service shall be resumed.

If the BSS executes a), then no further action is required.

If the BSS executes b), then the BSS shall send a RESUME PDU containing the same Suspend Reference Number received in the SUSPEND-ACK PDU to the SGSN and start timer T4. The RESUME PDU contains:

- the TLLI of the MS;
- the Routeing Area of the MS; and
- the Suspend Reference Number.

For each RESUME PDU received by an SGSN, a RESUME-ACK PDU shall be returned to the BSS. Upon reception of the RESUME-ACK PDU, the BSS shall stop T4. The RESUME-ACK PDU contains:

- the TLLI of the MS; and
- the Routeing Area of the MS.

7.5.1 Abnormal conditions

If a RESUME-ACK PDU is not received for a RESUME PDU within T4 seconds, then the RESUME PDU procedure shall be repeated a maximum of RESUME-RETRIES attempts. After RESUME-RETRIES attempts the procedure is stopped, the O&M system is informed and the MS shall be instructed to initiate the Routeing Area Update procedure.

If a RESUME-ACK PDU is received for an MS that is not suspended, then the RESUME-ACK PDU is ignored.

If a RESUME PDU refers to an MS which is unknown in the SGSN, then a RESUME-NACK PDU is returned containing a cause value (Cause value: Unknown MS). The BSS shall stop the RESUME procedure and the MS shall be instructed to initiate the Routeing Area Update procedure.

8 Signalling procedures between NM SAPs

8.1 FLUSH-LL (logical link) procedure

When an SGSN detects a cell change of an MS from a cell update or a routing area update, the SGSN shall send a FLUSH-LL PDU to the old BVC to initiate the following procedures:

- at a cell change within one NSE (e.g. the BSS is a NSE) and within one routing area, LLC-PDU(s) for a given TLLI stored at an "old" BVC (corresponding to the old cell) are either deleted or transferred to a "new" BVC (corresponding to the new cell) with which the TLLI is currently associated; or
- at a cell change between two NSEs within one routing area, LLC PDU(s) for a given TLLI stored at an "old" BVC (corresponding to the old cell) are either deleted or transferred to a "new" BVC (corresponding to the new cell) with which the TLLI is currently associated. In that case, transferring of LLC PDU(s) can only be requested by the SGSN if the NSE underlying the "old" BVC indicated support for the "Inter-NSE re-routing";

- at a cell change within the same routing area, and within one NSE or between two NSEs, the on-going location procedure, if any, is either maintained in the BSS after the cell reselection or aborted by the BSS towards the SMLC; or
- at a cell change between two routing areas, LLC-PDU(s) stored at the "old" BVC I for the TLLI are deleted.

The SGSN provides the BSSGP with:

- a MS's TLLI identifying the MS;
- the "old" BVC I identifying the cell in which to find buffered LLC-PDU(s) for the MS;
- the "new" BVC I identifying the cell to which the MS is currently associated (only when within the same routing area); and
- if the SGSN supports "Inter-NSE re-routing" or "LCS Procedures" and the old NSE supports the "Inter-NSE re-routing" or "LCS Procedures", the "new" NSE I identifying the cell to which the MS is currently associated (only when within the same routing area but between two NSEs). The NSE I associated to the "old" BVC I shall be assumed if the "new NSE I" field is not provided.

If there is a BSS Context for the MS in the "old" BVC I and there is a "new" BVC I in the FLUSH-LL PDU, the BSS shall interpret this as a request to transfer the BSS Context to the new cell. The BSS shall assume that the ABQP that was negotiated for each PFC in the "old" BVC I is requested in the "new" BVC I by the SGSN. Also, the values of the Packet Flow Timer and the Service UTRAN CCO Information Elements should be kept for each transferred PFC.

If a "new" BVC I is not provided, then the FLUSH-LL PDU shall be interpreted as an instruction to delete the queued LLC-PDU(s) at the old BVC, and also to delete the BSS Context associated to the MS identified by the TLLI, if any exists in the "old" BVC I.

Queued BSSGP signalling, e.g. pages, shall not be affected by this procedure.

In response to a FLUSH-LL PDU the BSS shall send a FLUSH-LL-ACK PDU to the SGSN containing:

- the TLLI received in the FLUSH-LL PDU;
- an indication of whether the LLC-PDU(s) were "transferred" or "deleted". In case the SDUs were "transferred" the BVC I (new) IE, and the NSE I (new) IE if present in the FLUSH-LL PDU, shall be included;
- the number of octets that have been transferred or deleted; and
- optionally, an indication of whether the "new" BVC I could accept the Aggregate BSS QoS Profile that was negotiated for each PFC in the "old" BVC I. If the "new" BVC I could not accept the QoS characteristics of all PFCs of the BSS Context, the BSS Context shall still be transferred and the BSS shall then initiate in the "new" BVC I a Modify BSS PFC procedure for each PFC for which the requested ABQP could not be accepted. The BSS may resume the transfer of downlink LLC PDU(s) before the Modify BSS PFC procedure is completed.

On receipt of a FLUSH-LL-ACK PDU by the SGSN, indicating that the LLC-PDU(s) associated with the old BVC have been "deleted", the SGSN may choose to:

- immediately retransmit all unacknowledged LLC-PDU(s) (in acknowledged LLC operation) to the MS at the new BVC (i.e. new cell); or
- rely on LLC retransmission mechanism to transmit unacknowledged LLC-PDU(s).

On receipt of a FLUSH-LL-ACK PDU by the SGSN, indicating that the LLC-PDU(s) associated with the old BVC have been "transferred", the SGSN shall not take any of the above actions.

On receipt of a FLUSH-LL-ACK PDU by the SGSN, indicating that the LLC-PDU(s) associated with the old BVC have been "deleted" or "transferred", if it indicates that the QoS characteristics of some PFCs of the BSS Context could not be transferred to the "new" BVC I, then the SGSN may use that information to wait for the Modify BSS PFC procedure before it resumes transferring new downlink LLC PDUs for those PFCs. The Modify BSS PFC procedure is described in sub-clause 8a.2.

In order to avoid desequencing DL LLC PDU (in LLC acknowledged or unacknowledged operation) during the FLUSH procedure, upon sending a FLUSH-LL PDU to the BSS requesting the rerouting of DL LLC PDUs to a new cell, the

SGSN should wait for the receipt of the FLUSH-LL-ACK PDU or rely on an internal guard timer, before starting to transmit subsequent DL LLC PDUs on the new BVCI.

8.1.1 Abnormal Conditions

If the BSS receives a FLUSH-LL PDU for an unknown BVCI or TLLI not associated with the given BVCI, then the FLUSH-LL PDU is discarded and no FLUSH-LL-ACK PDU is returned.

If the SGSN does not receive a FLUSH-LL-ACK PDU in response to a FLUSH-LL PDU, no further action is taken.

8.2 Flow Control procedure

8.2.1 General model of operation

From the perspective of the BSSGP, the flow control mechanism is based on the following model:

- there is a downlink buffer for each BVC, as identified by a BVCI, in a BSS;
- the transfer of BSSGP UNITDATA PDUs for an MS from the SGSN is controlled by the BSS; and
- only downlink BSSGP UNITDATA PDU transfer to the BSS is managed via flow control procedures. Uplink flow control is not performed.

8.2.2 Mode of operation

The flow control mechanism manages the transfer of BSSGP UNITDATA PDUs sent by the SGSN on the Gb interface to the BSS.

The BSS shall control the flow of BSSGP UNITDATA PDUs to its BVC buffers by indicating to the SGSN the maximum allowed throughput in total for each BVC. The BSS shall control the flow of BSSGP UNITDATA PDUs to the BVC buffer for an individual MS by indicating to the SGSN the maximum allowed throughput for a certain TLLI. If the PFC Flow Control feature is negotiated, the BSS may control the flow of BSSGP UNITDATA PDUs to the BVC buffer for a certain PFC of an individual MS by indicating to the SGSN the maximum allowed throughput for a certain PFI.

The BSS uses flow control to adjust the flow of BSSGP UNITDATA PDUs to a BVC buffer. The amount of buffered BSSGP UNITDATA PDUs in the BSS should be optimised to efficiently use the available radio resource. The volume of buffered BSSGP UNITDATA PDUs for a BVC or MS or PFC should be low. BSSGP UNITDATA PDUs queued within the BSS that are not transferred across the radio interface before the PDU Lifetime expires shall be locally deleted from the BSS. The local deletion of BSSGP UNITDATA PDUs in the BSS shall be signalled to the SGSN by the transmission of a LLC-DISCARDED PDU.

For each FLOW-CONTROL PDU received by an SGSN, a confirmation shall always be sent across the Gb interface by the SGSN. The confirmation uses the Tag that was received in the FLOW-CONTROL PDU, which was set by the BSS to associate the response with the request. When receiving no confirmation to a FLOW-CONTROL PDU, the reasons that gave rise to the triggering of a flow control message may trigger another message, or, if the condition disappears, it may not. For the repetition of non-confirmed FLOW CONTROL PDUs, the maximum repetition rate still applies in the BSS.

8.2.3 Flow Control of Traffic from an SGSN to BSS

8.2.3.1 Control of the downlink throughput by the SGSN

The principle of the BSSGP flow control procedures is that the BSS sends to the SGSN flow control parameters which allow the SGSN to locally control its transmission output in the SGSN to BSS direction. The SGSN shall perform flow control on each BVC, on each MS and optionally on each PFC for an MS. The flow control is performed on each LLC-PDU first by the PFC flow control mechanism if applicable and if negotiated, then by the MS flow control mechanism and then by the BVC flow control mechanism.

If the PFC Flow Control feature has been negotiated and the LLC-PDU corresponds to a PFC for which the SGSN has received some flow control parameters, then the SGSN has to check that the LLC-PDU is passed by the individual PFC flow control. If it is passed or if the PFC flow control has not been negotiated, or if it has been negotiated but no flow control parameter has been received for the PFC corresponding to the LLC-PDU, the SGSN applies the MS flow control. If passed, the SGSN finally applies the BVC flow control to the LLC-PDU. If an LLC-PDU is passed by all flow control mechanisms, the entire LLC-PDU is delivered to the Network Services for transmission to the BSS (see figure 8.1).

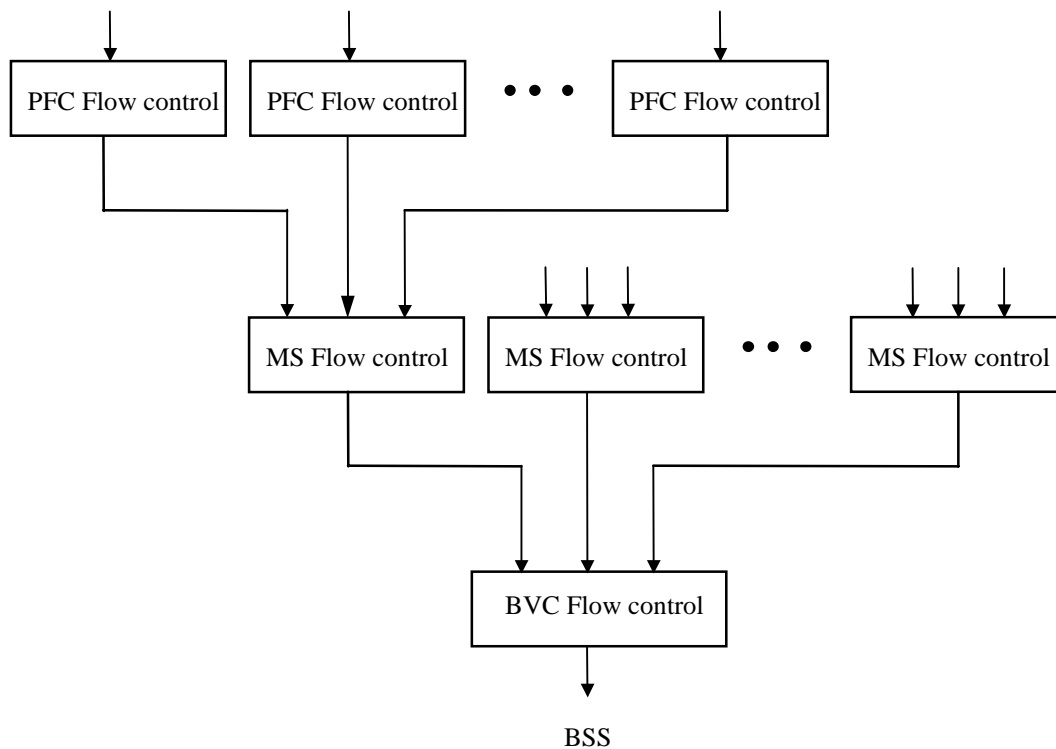


Figure 8.1: BSSGP Flow control

The flow control parameters sent by the BSS to the SGSN consist of the following information:

- the bucket size (Bmax) for a given BVC or MS or PFC in the downlink direction; and
- the bucket leak rate (R) for a given BVC or MS or PFC in the downlink direction; and
- the bucket full ratio for a given BVC or MS or PFC in the downlink direction, if the Current Bucket Level (CBL) feature is negotiated.

NOTE: The information for a given PFC is only received if the PFC flow control feature is negotiated.

The SGSN shall perform flow control on an individual MS using SGSN determined values of Bmax and R unless it receives a FLOW-CONTROL-MS message from the BSS regarding that MS. The SGSN shall continue to perform flow control for a particular MS using the Bmax and R values received from the BSS for at least Th seconds after receiving a FLOW-CONTROL-MS message from the BSS regarding that MS. When timer Th has expired or when the MS changes cells, the SGSN may reinitialise the SGSN internal flow control variables for that MS and begin to use SGSN generated values for Bmax and R.

The SGSN shall start performing flow control on a given PFC for an individual MS as soon as it receives the first FLOW-CONTROL-PFC message for that PFC and the feature has been negotiated; it shall stop applying PFC flow control for a given PFC of an individual MS as soon as it receives subsequently a FLOW-CONTROL-MS message for that MS or if more than Tf seconds have elapsed since the last FLOW-CONTROL-PFC message was received for that PFC. When the MS changes cells, the SGSN shall stop performing flow control per PFC, until it receives a FLOW-CONTROL-PFC message.

The BSSGP flow control model is the algorithm shown in Figure 8.2. The model of the algorithm is that an LLC-PDU is passed by the algorithm as long as the bucket counter (B) plus the length of the LLC-PDU does not exceed the bucket size Bmax. When the LLC-PDU is passed, the LLC-PDU length is added to B. Any PDU not transmitted is delayed until B plus the LLC-PDU length is less than Bmax.

8.2.3.2 Flow Control Conformance Definition

A BSSGP flow control algorithm shall be implemented in the SGSN. The BSSGP flow control conformance algorithm is defined in figure 8.2.

The conformance definition is used to decide which LLC-PDUs are conforming to the flow to the PFC of an MS, to an MS or in a BSSGP virtual connection (BVC) over the Gb interface. The conformance definition should not be interpreted as the required implementation algorithm, as the SGSN manufacturer may use any algorithm as long as the operation of the BSSGP flow control does not violate the objectives of compliant BVCs or MSs or PFC. That is, the SGSN shall never transmit more data than can be accommodated within the BSS buffer for a BVC or individual MS or for a given PFC of an MS.

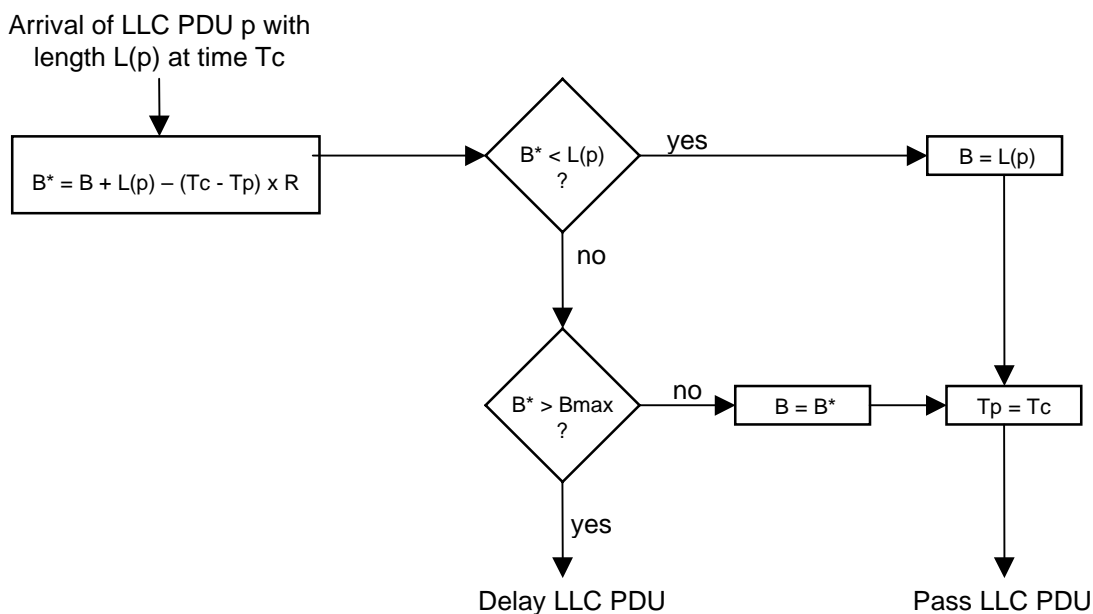


Figure 8.2: Conformance Definition Algorithm for BSSGP Flow Control

The variables used by the algorithm are:

- Bmax Bucket Size. Set by the BSS for each cell and each mobile station and optionally for each PFC of an MS. Bmax shall be large enough to accommodate at least one LLC-PDU;
- R leak rate of the bucket;
- B bucket counter;
- B* predicted value of the bucket counter;
- L(p) length of LLC-PDU p;
- Tp the time that the last LLC-PDU p was transferred; and
- Tc arrival time of LLC-PDU p.

The initial conditions of these variables in the SGSN are:

- Bmax = 0 for BVCs or MSs. For BVCs, this value is valid until Bmax is received in the FLOW-CONTROL-BVC. For MSs, this value is valid until Bmax_default_MS is received in the FLOW-CONTROL-BVC message. Thereafter, sub-clause 8.2.3.6, shall apply;
- Bmax = 0 for PFCs until a FLOW-CONTROL-BVC message is received for the cell in which the PFC is running. Thereafter, Bmax for a PFC shall not be greater than Bmax of the corresponding MS until PFC flow control applies for the PFC. As long as PFC flow control applies, Bmax shall then not be greater than the value of Bmax provided in the latest valid FLOW-CONTROL-PFC message;
- R = 0 for BVC or MSs. For a BVC, this value is valid until a FLOW-CONTROL-BVC message is received. For an MS, this value is valid until a FLOW-CONTROL-BVC message is received. Thereafter, sub-clause 8.2.3.6 shall apply;
- R = 0 for PFCs until a FLOW-CONTROL-BVC message is received for the cell in which the PFC is running. Thereafter, R for a PFC shall not be greater than R of the corresponding MS until PFC flow control applies for the PFC. As long as PFC flow control applies, R shall then not be greater than the value of R provided in the latest valid FLOW-CONTROL-PFC message;
- B = 0 (the bucket is empty); and Tp = the current time for the first LLC-PDU.

The SGSN shall not transmit a LLC-PDU on a BVC until a FLOW-CONTROL-BVC message is received from the BSS for that BVC.

When a LLC-PDU p arrives at current time Tc, the variable B* is set to the predicted bucket size if the LLC-PDU were to be transferred to the BSS. This is given by the previous bucket size plus the new LLC-PDU size, $B^* = B + L(p)$, less the amount that the bucket will have leaked away since the last compliant LLC-PDU, $R \times (Tc - Tp)$. If this is less than L(p) then the LLC-PDU is compliant and the bucket size B is reset to L(p) and the LLC-PDU is passed. When a compliant LLC-PDU is passed the last LLC-PDU transfer time is set to the current time, $Tp = Tc$.

If the bucket has not completely leaked away then the bucket has to be checked to see if the limit Bmax is going to be exceeded, $B^* > Bmax$. If the limit is exceeded then the LLC-PDU is non compliant and is delayed for some time period, and no updates are done on the variables. If the bucket limit Bmax is not exceeded then the LLC-PDU is compliant and the bucket counter (B) is set equal to the value of B*. When a conforming LLC-PDU is passed then the last LLC-PDU transfer time is set to the current time, $Tp = Tc$.

On receipt of a FLUSH-LL-ACK PDU by the SGSN, indicating that the LLC-PDU(s) associated with the old BVC have been "deleted", the SGSN should update the value of the bucket counter (B) for the MS and for the old BVC, $B = \max(B - N, 0)$. N is provided by FLUSH-LL-ACK PDU, indicating the number of octets deleted by the BSS.

On receipt of a FLUSH-LL-ACK PDU by the SGSN, indicating that the LLC-PDU(s) associated with the old BVC have been "transferred" within the NSE, the SGSN should update the value of the bucket counter (B) for the old BVC, $B = \max(B - N, 0)$. The value of B for the new BVC should also be updated, $B = \min(B + N, Bmax)$. N is provided by FLUSH-LL-ACK PDU, indicating the number of octets transferred by the BSS.

On receipt of a LLC-DISCARDED PDU by the SGSN, indicating that the LLC-PDU(s) associated with the MS or the PFC of an MS have been locally deleted by the BSS, the SGSN should update the value of the bucket counter (B) for the MS or the PFC and for the BVC, $B = \max(B - N, 0)$. N is provided by LLC-DISCARDED PDU, indicating the number of octets deleted by the BSS.

The BSS may update the values of Bmax and R within the SGSN at any time by transmitting a new Flow Control PDU containing the new Bmax and R values. The variables B, B*, Tp and Tc are local to the SGSN and are not affected by the reception of a Flow-Control-BVC or Flow Control-MS PDU.

If the Current Bucket Level (CBL) feature is negotiated, the SGSN shall update the variable B based upon the Bucket_Full_Ratio information element received in the Flow Control PDU. During the time period when SGSN does not receive a Flow Control PDU, it shall continue computing the bucket counter (B) as defined above.

8.2.3.3 Response time within the SGSN to flow control messages

Upon reception of flow control requests from a BSS, the SGSN shall modify its downlink transmission as instructed within 100 ms.

8.2.3.4 Frequency of sending BVC or MS or PFC Flow Control PDUs

The rate at which the BSS is allowed to send flow control messages for a given BVC or MS or PFC is limited and defined by the following rule: the BSS may send a new Flow Control PDU every C seconds, where C is a value which is pre-defined and common to the BSS and SGSN.

If the BSS detects a missing FLOW-CONTROL-ACK from the SGSN and the condition which causes the sending of a FLOW-CONTROL PDU still remains, the FLOW-CONTROL PDU may be retransmitted immediately. In this case the BSS may violate the repetition rate defined by the C value.

After a BVC reset procedure, the BSS may send a BVC-BLOCK PDU. Otherwise, the BSS shall send a BVC-FLOW-CONTROL PDU. When the blocked BVC is unblocked, a BVC-FLOW-CONTROL PDU shall be sent.

8.2.3.5 FLOW-CONTROL PDUs

Based on the criteria for flow control, a BSS shall send to an SGSN a FLOW-CONTROL PDU containing a list of IEs.

For BVC Flow Control, the following information is sent:

- the maximum bucket size (Bmax) for the BVC on the Gb Interface;
- the leak rate parameter (R) to be applied to the bucket;
- the bucket full ratio to resynchronize the bucket counter for the BVC, if the Current Bucket Level (CBL) feature is negotiated;
- the default MS bucket size (Bmax_default_MS);
- the default MS leak rate (R_default_MS); and
- the optional measurement of the delay for PDU delivery inside that BVC.

For MS Flow Control, the following information is sent:

- the TLLI identifying the MS;
- the maximum bucket size (Bmax) for this MS on the Gb interface;
- the leak rate parameter (R) to be applied to the bucket; and
- the bucket full ratio to resynchronize the bucket counter for the MS, if the Current Bucket Level (CBL) feature is negotiated.

For PFC Flow Control, the following information is sent:

- the TLLI identifying the MS;
- the maximum bucket size (Bmax) for this MS on the Gb interface (optional);
- the leak rate parameter (R) to be applied to the bucket (optional);
- the bucket full ratio to resynchronize the bucket counter for the MS, if the Current Bucket Level (CBL) feature is negotiated (optional);
- the number of PFCs for which flow control parameters are included;
- for each PFC:
 - the PFI identifying the PFC for that MS;
 - the maximum bucket size (Bmax) for this PFC on the Gb interface;
 - the leak rate parameter (R) to be applied to the bucket;
 - the bucket full ratio to resynchronize the bucket counter for the PFC, if the Current Bucket Level (CBL) feature is negotiated.

NOTE: The supply of the MS flow control parameters inside the FLOW-CONTROL-PFC message allows the SGSN utilising the most up-to-date parameters both for PFC and MS flow control. Also, because the receipt of a FLOW-CONTROL-MS message notifies the end of PFC flow control for a given MS, if the MS flow control parameters have changed since the last update, then it is necessary to provide the MS flow control parameters inside the FLOW-CONTROL-PFC message.

8.2.3.6 Condition of Bmax for MS after Initial Flow-Control-BVC

The SGSN may use the following (informative) equation to generate an initial bucket size, Bmax, for an MS.

$$B_{\max} \text{ (bits)} = \min (R_{\text{default_MS}} \text{ for } 1 \text{ s, } 72\,000, \text{ max MS throughput for } 1 \text{ s, (max MS throughput for } 1 \text{ s} + \text{ current throughput of all other MSs in the cell for } 1 \text{ s)} / \text{ number of MSs in the cell})$$

where, the number of MSs in the cell includes the MS being added.

Under no circumstance shall the SGSN use a value of Bmax greater than Bmax_default_MS for an MS unless it receives a Flow-Control-MS message from the BSS for that MS.

The SGSN shall not use a leak rate (R) for an MS greater than R_default_MS unless it receives a Flow-Control-MS message from the BSS for that MS.

8.2.4 Flow Control of Uplink Traffic from a BSS to an SGSN

No flow control procedures are defined between the BSS and the SGSN in uplink direction.

8.3 BVC blocking and unblocking procedure

8.3.1 PTP BVC

The following statement applies only for PTP BVC.

The BVC blocking and unblocking procedures are initiated by the BSS to remove from use, or bring in to use, a BVC.

A BSS may block one BVC because of:

- operation and Maintenance intervention for a cell;
- equipment failure at the BSS;

- cell equipment failure at the BSS; or
- other causes not regarded in phase 1 of the implementation of GPRS (Cause Value: "reserved for future use").

When a BSS wishes to block a BVC, the BSS shall mark that BVC as blocked, thereafter discarding any traffic sent to the BVC in the uplink direction. The cell associated with the BVC should not accept data in the downlink direction. The BSS shall send a BVC-BLOCK PDU to the SGSN and start timer T1. The BVC-BLOCK PDU contains:

- the BVCI of the BVC to be blocked; and
- a Cause element indicating the reason for blocking (typical cause values: O&M intervention, Equipment failure).

On receipt of a BVC-BLOCK PDU, the SGSN shall mark the indicated BVC as blocked and stop transmitting traffic addressed to this BVC. The SGSN shall then acknowledge the blocking of the BVC by sending a BVC-BLOCK-ACK PDU to the BSS.

The BVC-BLOCK-ACK PDU contains the BVCI received in the BVC-BLOCK PDU.

On receipt of the BVC-BLOCK-ACK PDU the BSS shall stop timer T1.

The BVC shall be seen as blocked by an SGSN until a BVC-UNBLOCK PDU is received indicating that the BVC's status has changed.

During the BVC blocking procedure, traffic in transit to or from a cell is in an indetermined state and may be lost. When unblocking a BVC both the BSS and SGSN shall be in an operational state, i.e. the underlying network service and the BVC shall be available for use.

If a BSS wishes to unblock a blocked BVC it shall send a BVC-UNBLOCK PDU, and start timer T1.

The BVC-UNBLOCK PDU contains:

- the BVCI of the BVC to be unblocked.

If a BVC-UNBLOCK PDU is received by an SGSN for a blocked BVC, the BVC shall be marked as unblocked and a BVC-UNBLOCK-ACK PDU shall be returned to the BSS, containing the BVCI received in the BVC-UNBLOCK PDU.

The BSS shall stop timer T1 on receipt of the BVC-UNBLOCK-ACK PDU and mark the BVC as unblocked.

8.3.2 Signalling BVC

The blocking and unblocking procedure is not applicable for the signalling BVC. The signalling BVC shall never be blocked.

8.3.3 Abnormal Conditions

The following statements apply only for a signalling BVC.

If a BVC-BLOCK PDU is received by an SGSN for the signalling BVC, the PDU is ignored.

If a BVC-BLOCK-ACK PDU is received by a BSS for the signalling BVC, the PDU is ignored.

If BVC-UNBLOCK PDU is received by an SGSN for the signalling BVC, the PDU is ignored.

If BVC-UNBLOCK-ACK PDU is received by an BSS for the signalling BVC, the PDU is ignored.

The following statements apply only for PTP BVC.

If a BVC-BLOCK-ACK PDU is not received for a BVC-BLOCK PDU within T1 seconds, then the BVC-BLOCK PDU procedure shall be repeated a maximum of BVC-BLOCK-RETRIES attempts. After BVC-BLOCK-RETRIES attempts the BVC remains blocked, the procedure is stopped and the O&M system is informed.

If a BVC-UNBLOCK-ACK PDU is not received for a BVC-UNBLOCK PDU within T1 seconds, then the BVC-UNBLOCK PDU procedure shall be repeated a maximum of BVC-UNBLOCK-RETRIES attempts. After BVC-UNBLOCK-RETRIES attempts the status of the BVC remains blocked, the procedure is stopped and the O&M system is informed.

If traffic is received on a BVC that is marked at a BSS or at an SGSN as blocked, and no BVC-Unblocking procedure is pending, the received PDU shall not be accepted and a STATUS PDU (Cause value: BVC blocked) shall be sent to the peer entity on the signalling BVC. The STATUS PDU shall indicate the BVCI of the BVC upon which the error was detected.

If a BVC-BLOCK PDU is received by an SGSN for a blocked BVC, a BVC-BLOCK-ACK PDU shall be returned.

If a BVC-UNBLOCK PDU is received by an SGSN for an unblocked BVC, a BVC-UNBLOCK-ACK PDU shall be returned.

If an unexpected BVC-BLOCK-ACK PDU is received by a BSS, and it is related to a BVC that is locally blocked, the BVC-BLOCK-ACK PDU is discarded. If the BVC-BLOCK-ACK PDU is related to a BVC that is not locally blocked, then a BVC unblock procedure shall be performed.

If an unexpected BVC-UNBLOCK-ACK PDU is received by a BSS and it is related to a BVC that is locally not blocked, the BVC-UNBLOCK-ACK PDU is discarded. If the BVC-UNBLOCK-ACK PDU is related to a BVC that is locally blocked, then a BVC block procedure shall be performed.

8.4 BVC-RESET procedure

The purpose of the BVC-RESET procedure is to synchronise the initialisation of GPRS BVC related contexts at a BSS and SGSN. This enables the BSS and SGSN to begin communication in known states. A BVC-RESET procedure is performed because of recovery procedures related to:

- a system failure in the SGSN or BSS that affects GPRS BVC functionality (e.g. processor recovery);
- an underlying network service system failure; or
- a change in the transmission capability of the underlying network service, where the "change" is from zero kbps to greater-than-zero kbps;
- a change in mapping between the BVCI and cell identifier.

The BSS may also send BVC-RESET as a means to create the initial mapping between BVCI and cell identifications.

After any of the possible events stated above, the status of the affected BVCs may be inconsistent at the SGSN and the BSS. After performing the BVC Reset procedure all affected BVCs are assumed to be unblocked at the SGSN. The reset procedure forces a consistent state upon SGSN and BSS by requiring that after the completion of the BVC-Reset procedure the BSS initiates the block procedure for all affected BVCs that are marked as blocked at the BSS.

Before a BSS (or SGSN) sends a BVC-RESET PDU, the operational status of the associated network service shall be obtained by the BSS (or SGSN).

If the associated network service is operational, the BSS (or SGSN) shall send a BVC-RESET PDU to its peer entity and start timer T2. The BSS (or SGSN) may receive BVC related signalling and UNITDATA PDUs before the procedure is acknowledged, but shall not transmit PDUs.

If the associated network service is not operational, the BVC-RESET procedure is postponed until internal periodic status checks indicate that it is operational.

The BVC-RESET PDU contains:

- the BVCI of the reset BVC;
- a cause element indicating the reason for reset;
- the cell identifier, when the reset is for a PTP BVC and BSS is initiator of the reset;
- feature bitmap, when the reset is for a signalling BVC.

After the SGSN (or BSS) has initialised all affected GPRS related contexts, a BVC-RESET-ACK PDU is returned.

The BVC-RESET-ACK PDU contains:

- the BVCI of the reset BVC;
- the cell identifier, when the reset is for a PTP BVC and SGSN is initiator of the reset.

Upon reception by a BSS (or SGSN) of the BVC-RESET-ACK PDU the timer T2 is stopped.

8.4.1 Signalling BVC

After any failure affecting the NSE, the party (BSS or SGSN) where the failure resided shall reset the signalling BVC. After sending or receiving a BVC-RESET PDU for the signalling BVC, the BSS shall stop all traffic and initiate the BVC-RESET procedure for all BVCs corresponding to PTP functional entities of the underlying network service entity. The BSS must complete the BVC-RESET procedure for signalling BVC before starting PTP BVC-RESET procedures.

The Feature bitmap is sent to identify the optional features that can be supported by the network service entity. After completion of the signalling BVC-RESET procedure both entities shall locally determine the common set of optional features supported by both NSEs. This is done by performing the bit AND operation of the received Feature bitmap with its own Feature bitmap.

If the Feature bitmap IE is missing in a signalling BVC-RESET or BVC-RESET-ACK PDU or if the result of the AND operation is '0' then no optional features are activated.

After sending or receiving a BVC-RESET PDU for the signalling BVC, the SGSN shall stop all traffic in the PTP BVCs of the corresponding NSE.

8.4.2 PTP BVC

After any failure affecting only part of the BVC functionality not including the signalling BVC the party where the failure resided shall reset only the affected BVCs.

If the BSS was the initiator of the BVC-RESET procedure, the BSS may initiate the blocking procedure upon receipt of a BVC-RESET-ACK PDU. If the SGSN was the initiator of the BVC-RESET procedure while the affected BVC is marked as blocked at the BSS side, the BSS shall initiate the BVC-Blocking procedure after having returned the BVC-RESET-ACK PDU to the SGSN.

Upon reception of a BVC-RESET PDU, the SGSN (or BSS) shall discard UNITDATA PDUs addressed to the reset BVC.

After reset of a PTP BVC, UNITDATA PDUs addressed to the BVC may then be received and transmitted, unless it is blocked.

8.4.3 Abnormal Conditions

The following statements are valid for both signalling and PTP BVC.

If a BSS (or SGSN) sends a BVC-RESET PDU to an SGSN (or BSS) and the BVC-RESET-ACK PDU is not returned within a period T2, the BVC-RESET procedure shall be repeated a maximum of BVC-RESET-RETRIES attempts. After BVC-RESET-RETRIES attempts the procedure is stopped and the O&M system is informed. In case of PTP BVC, the status of all affected BVCs at the BSS (or SGSN) shall be blocked as a consequence.

If the BSS receives a BVC-RESET PDU for a BVCI which is unknown in the BSS, then the BSS shall return a STATUS PDU towards the SGSN including the BVCI and the cause value 'BVCI unknown'.

If the BSS (or SGSN) has sent a BVC-RESET PDU for a BVCI to the SGSN (or BSS) and is awaiting a BVC-RESET-ACK PDU in response, but instead receives a BVC-RESET PDU indicating the same BVCI, then this shall be interpreted as a BVC-RESET ACK PDU and the T2 timer shall be stopped.

The BVC_RESET for signalling BVC overrides all pending procedures for PTP BVC, i.e. other pending procedures are stopped and corresponding running timers are stopped.

If the BSS (or SGSN) receives an unexpected BVC-RESET ACK PDU, this shall be ignored.

If the BSS has sent a BVC-UNBLOCK PDU and receives a BVC-RESET PDU before the BVC-UNBLOCK-ACK PDU has been received from the SGSN, then the BSS shall consider the corresponding BVC marked as unblocked.

8.5 Trace procedure

The purpose of the trace invocation procedure is to inform the receiving entity that it should begin producing a trace record on an MS. The trace is invoked by an SGSN by sending an SGSN-INVOKE-TRACE PDU to the peer entity. The SGSN-INVOKE-TRACE PDU is not acknowledged.

The events and parameters to be recorded are indicated in the "Trace type" information element are defined in 3GPP TS 32.008 [18].

The remaining elements, when received, are to be passed transparently to the OMC receiving the trace record.

The element "OMCId", if present, indicates the OMC to which the record is destined.

The PDU includes a trace reference which is allocated by the entity which triggered the trace.

The element "TriggerId", if present, indicates the entity which triggered the trace.

The Trace Reference and TriggerId IEs are used to tag the trace record to allow simpler construction of the total record by the entity which combines trace records.

8a Signalling procedures between PFM SAPs

8a.1 Create BSS PFC procedure

If the BSS receives a request to transfer an uplink or downlink LLC PDU for which it currently does not have a BSS packet flow context and the PFI does not indicate best-effort or SMS or LCS or signalling then the BSS may send a DOWNLOAD-BSS-PFC PDU to the SGSN and start timer T6. In the uplink case the TLLI, optional Radio Priority, and optional Packet Flow ID are received from the MS as defined in 3GPP TS 44.060. Until the BSS receives the BSS PFC the BSS shall handle uplink and downlink transfers according to a best-effort default aggregate BSS QoS profile. For uplink transfers the best-effort default profile is specific to the radio priority level.

If the BSS does not receive a PFI from the MS, e.g. from a R97 or R98 MS, the BSS shall not send a DOWNLOAD-BSS-PFC PDU to the SGSN. In this case the QoS Profile IE is utilized instead.

Following a DOWNLOAD-BSS-PFC PDU, the SGSN shall send a CREATE-BSS-PFC PDU to the BSS with a requested Aggregate BSS QoS Profile and start timer T7. On receipt of CREATE-BSS-PFC PDU the BSS stops timer T6 and responds with a CREATE-BSS-PFC-ACK PDU containing the negotiated Aggregate BSS QoS Profile. The BSS may restrict the requested ABQP given its capabilities and the current load. The SGSN may include the *Service UTRAN CCO* (Cell Change Order) information element in the PDU (relevant if the *network initiated cell change order to UTRAN* procedure is used). If this information element is received in both the CREATE-BSS-PFC PDU and the DL-UNITDATA PDU, the information element received in the DL-UNITDATA PDU shall take precedence.

The SGSN may also initiate the Create BSS PFC procedure. It is not required that the SGSN receive a DOWNLOAD-BSS-PFC PDU before sending a CREATE-BSS-PFC request.

The BSS may return a CREATE-BSS-PFC-NACK with a cause if it is unable to create or modify the PFC. On receipt of the CREATE-BSS-PFC-ACK or CREATE-BSS-PFC-NACK PDU the SGSN shall stop timer T7.

The Packet Flow Timer (PFT) is provided to the BSS by the SGSN. It is defined as the maximum time the BSS may hold the PFC during periods of inactivity for a PFC. The timer is started upon the receipt of a CREATE-BSS-PFC PDU and restarted after the transmission of an uplink PDU for that PFC. The timer is also restarted upon the transfer of the corresponding PFC from an old to a new cell.

If a CREATE-BSS-PFC PDU is received for an MS which has a BSS PFC in the BSS, then this shall be interpreted by the BSS as a request to modify the existing PFC.

8a.1.1 Abnormal conditions

If the SGSN receives a DOWNLOAD-BSS-PFC PDU with an unknown PFI it shall not respond with a CREATE-BSS-PFC PDU.

If a CREATE-BSS-PFC PDU is not received for a DOWNLOAD-BSS-PFC PDU within T6 seconds, then the DOWNLOAD-BSS-PFC PDU shall be repeated a maximum of DOWNLOAD-BSS-PFC-RETRIES attempts. After DOWNLOAD-BSS-PFC-RETRIES + 1 attempts the procedure is stopped and the O&M system is informed. If a BSS PFC is not received then the BSS shall handle uplink and downlink transfers according to a best-effort default aggregate BSS QoS profile.

If a CREATE-BSS-PFC-ACK or CREATE-BSS-PFC-NACK PDU is not received in response to a CREATE-BSS-PFC PDU within T7 seconds, then the CREATE-BSS-PFC PDU shall be repeated a maximum of CREATE-BSS-PFC-RETRIES attempts. After CREATE-BSS-PFC-RETRIES+1 attempts the procedure is stopped and the O&M is informed.

If the BSS is unable to create the PFC then a CREATE-BSS-PFC-NACK PDU is returned with a cause value (e.g. Cause value: PFC create failure). The SGSN shall stop the Create BSS PFC procedure.

8a.2 Modify BSS PFC procedure

The BSS may request modification of the contents of an existing BSS PFC at any time via the MODIFY-BSS-PFC PDU, e.g. due to a change in resource availability at the BSS. The BSS sends the MODIFY-BSS-PFC PDU and start timer T8. The SGSN inserts the modified parameters in the MODIFY-BSS-PFC PDU into the relevant PDP contexts. The SGSN shall respond to a modify request with a MODIFY-BSS-PFC-ACK PDU. The Packet Flow Timer (PFT) may be provided to the BSS by the SGSN. This timer is (started or) restarted upon the receipt of the MODIFY-BSS-PFC-ACK PDU and restarted after the transmission of an uplink PDU for that PFC. On receipt of a response to the Modify procedure the BSS shall stop timer T8.

The SGSN can reject the profile proposed by the BSS by answering with a MODIFY-BSS-PFC-ACK PDU containing the previous ABQP. The SGSN may request the modification of the contents of a BSS PFC at any time via the CREATE-BSS-PFC PDU, e.g. due to the activation, modification, or deactivation of a PDP context. It shall not use the MODIFY-BSS-PFC PDU. If the BSS PFC already exists the BSS shall interpret the message as a modification request and the BSS shall reply with a CREATE-BSS-PFC-ACK. The BSS may restrict the requested ABQP given its capabilities and the current load.

8a.2.1 Abnormal conditions

If a MODIFY-BSS-PFC-ACK is not received in response to a MODIFY-BSS-PFC PDU within T8 seconds, then the MODIFY-BSS-PFC PDU shall be repeated a maximum of MODIFY-BSS-PFC-RETRIES attempts. After MODIFY-BSS-PFC-RETRIES+1 attempts the procedure is stopped and the O&M is informed.

8a.3 Delete BSS PFC procedure

The SGSN may request the deletion of a BSS PFC at any time using the DELETE-BSS-PFC PDU. The BSS shall respond with a DELETE-BSS-PFC-ACK PDU. The BSS may at any time delete a BSS packet flow context without notifying the SGSN.

8b Signalling Procedures between LCS SAPs

8b.1 Location Procedure

When the SGSN receives a location request, and the BSS supports LCS, the SGSN starts the location procedure by sending a PERFORM-LOCATION-REQUEST PDU.

The SGSN shall provide the BVCI and the NSEI indicating the PTP functional entity (i.e. the cell) upon which the last LLC-PDU was received from the MS as well as the Cell ID received together with that LLC-PDU. The SGSN shall also provide the IMSI. If the SGSN has valid DRX Parameters for a TLLI, then the SGSN shall include them in the PDU.

The Location Type indicates which type of location information the SGSN is requesting. The LCS capability IE reports the PS LCS capabilities of the MS and is included by the SGSN if it has been received from the MS. LCS Priority and LCS QoS are provided if available in the SGSN.

On receipt of the PERFORM-LOCATION-REQUEST PDU for positioning of the target MS, the BSS transfers the positioning request to the SMLC according to the procedures defined in 3GPP TS 43.059 [22] and 3GPP TS 49.031 [23] and awaits the result. The BSS then returns the result of positioning to the SGSN in the PERFORM-LOCATION-RESPONSE PDU. This message contains the PTP BVCI indicating the PTP functional entity (i.e. the cell) upon which the last LLC-PDU was received from the MS, a location estimate and optionally positioning data.

If assistance data was instead requested by the SGSN for an MS, the BSS transfers the request to the SMLC according to the procedures defined in 3GPP TS 43.059 [22] and 3GPP TS 49.031 [23] and awaits the result. If the Requested GPS Assistance Data IE was received from the MS, it is forwarded to the BSS. If the SMLC indicates to the BSS that it was able successfully to transfer this to the MS, the BSS shall return a PERFORM-LOCATION-RESPONSE PDU to the SGSN. This message shall contain the PTP BVCI indicating the PTP functional entity (i.e. the cell) upon which the last LLC-PDU was received from the MS but no other optional or conditional information elements. The absence of an LCS Cause parameter in this case implies that the transfer was successful.

Otherwise, if a deciphering keys were requested for LCS broadcast assistance data, the BSS transfers the request to the SMLC according to the procedures defined in 3GPP TS 43.059 [22] and 3GPP TS 49.031 [23] and awaits the result. If the BSS receives the deciphering keys, the BSS shall send them to the SGSN in a PERFORM-LOCATION-RESPONSE PDU containing also the PTP BVCI indicating the PTP functional entity (i.e. the cell) upon which the last LLC-PDU was received from the MS.

8b.1.1 Unsuccessful Operation

If the BSS fails to respond to the PERFORM-LOCATION-REQUEST PDU it returns a PERFORM-LOCATION-RESPONSE PDU with a LCS cause value indicating the failure cause.

If the BSS receives a failure indication from the SMLC it shall send a PERFORM-LOCATION-RESPONSE PDU to the SGSN with the LCS cause value that it received from the SMLC.

8b.1.2 Abnormal Conditions

The following condition may occur:

If the SGSN needs to abort previously initiated location request, it shall send the PERFORM LOCATION ABORT PDU to the BSS. This message shall include the PTP BVCI indicating the PTP functional entity (i.e. the cell) upon which the last LLC-PDU was received from the MS. As a result of reception of this message the BSS shall abort activities related to positioning of the target MS or assistance data delivery. The BSS shall return a PERFORM-LOCATION-RESPONSE PDU with a cause value indicating the abortion of location request. The SGSN may reattempt the positioning request after the PERFORM-LOCATION-RESPONSE PDU is received from the BSS, but not before the PDU is received.

If the P-TMSI is reallocated for a target MS during the location procedure, the SGSN shall abort the location procedure.

If a SUSPEND PDU is received for a target MS during the location procedure, the SGSN shall abort the location procedure.

If a Routing Area Update request is received from a target MS during the location procedure, the SGSN shall abort the location procedure.

If an Inter NSE Cell Change, within the same routing area, occurs for a target MS during the location procedure, the SGSN shall provide the new NSEI and new BVCI in the FLUSH-LL PDU sent to the BSS, in order for the BSS to maintain the on-going location procedure, if possible. In case the BSS is unable to maintain the on-going location procedure, then a location abort shall be triggered by the BSS towards the SMLC.

8b.1.3 Overload

For location requests initiated by the SGSN, the BSC may employ the same procedures defined for an SMLC in 3GPP TS 49.031 to alleviate an overload condition in the BSS.

8b.2 Position Command Procedure

The position command procedure is used to convey an embedded RRLP message between the BSS and the MS.

8b.2.1 Position Command

The BSS initiates the position command procedure by sending the POSITION-COMMAND PDU to the SGSN. The procedure is only valid while a location procedure for the target MS is ongoing.

The POSITION-COMMAND PDU shall include the RRLP Flags and the RRLP APDU information elements and the PTP BVCI indicating the PTP functional entity (i.e. the cell) upon which the last LLC-PDU was received from the MS. The RRLP APDU information element carries the RRLP message and the RRLP Flags information element carries control information for RRLP.

The SGSN shall extract the RRLP message from the RRLP APDU information element and forward it, together with the RRLP Flags, to the MS in a TOM message carried in an LLC-PDU, see 3GPP TS 44.064 [12].

8b.2.2 Position Response

The SGSN initiates the position response procedure when it receives a TOM message in an LLC-PDU carrying an RRLP message for a target MS. The procedure is only valid while a location procedure for the target MS is ongoing.

When the SGSN receives a TOM message in an LLC-PDU carrying an RRLP message for a target MS, the SGSN shall extract the RRLP message and forward it to the BSS in a POSITION-RESPONSE PDU. The RRLP message shall be included in the RRLP APDU information element. The RRLP Flags information shall be extracted from the TOM header and be included in the RRLP Flags information element. The POSITION-RESPONSE PDU shall also include the PTP BVCI indicating the PTP functional entity (i.e. the cell) upon which the last LLC-PDU was received from the MS.

8b.2.3 Unsuccessful Operation

If the SGSN fails to process the POSITION-COMMAND PDU it returns a POSITION-RESPONSE PDU with a LCS cause value indicating the failure cause.

If a POSITION-COMMAND PDU is received by the SGSN while a location procedure for the target MS is not ongoing a POSITION-RESPONSE PDU with a LCS cause value indicating this failure cause is returned.

If a POSITION-RESPONSE PDU is received by the BSS while a location procedure for the target MS is not ongoing the BSS shall ignore the PDU.

8c Signalling procedures between RIM SAPs

8c.1 General

If the RAN Information Management (RIM) feature is negotiated between the BSS and the SGSN, the general purpose signalling procedures specified for RIM can be used by any BSS application requiring information transfer between two BSSs via the core network.

The addressing and routing rules are specified in 3GPP TS 23.060.

There are two RIM procedures specified, the RAN Information Request (figure 8c.1.a) and the RAN Information Send (figure 8c.1.b) procedures.

The RAN Information Request procedure is initiated by a BSS when it requires information from another BSS. The source BSS initiates the procedure by sending the RAN-INFORMATION-REQUEST PDU to the SGSN from which the information is required. The RAN-INFORMATION-REQUEST PDU shall indicate whether a single or multiple RAN Send procedures shall follow.

NOTE: If the corresponding RAN-INFORMATION PDU is not received with the requested information, it is an application decision how to proceed with further actions.

The type of information which is requested is application dependent and it is specified within the RAN-INFORMATION-REQUEST PDU.

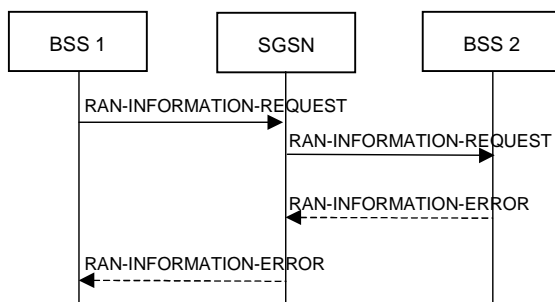


Figure 8c.1.a: RAN Information Request procedure

The RAN Information Send procedure is initiated by an application within a BSS either when triggered by an event in the application or when requested by a RAN-INFORMATION-REQUEST PDU received from another BSS. The purpose of the procedure is to transfer information between applications in two BSSs via the core network (see figure 8c.1.b).

The information which is transferred is application dependent and contained within the RAN-INFORMATION PDU.

The RAN-INFORMATION PDU can request the destination application to acknowledge the reception of the PDU by sending a RAN-INFORMATION-ACK PDU back to the source application.

The destination BSS can also respond to the source BSS with a RAN-INFORMATION-ERROR PDU if the received PDU contains errors or if the request can not be performed.

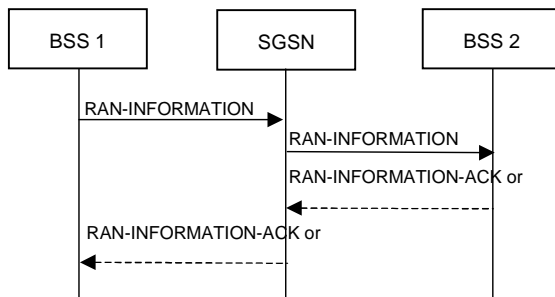


Figure 8c.1.b: RAN Information Send procedure

The RIM PDUs (RAN-INFORMATION-REQUEST, RAN-INFORMATION, RAN-INFORMATION-ACK and RAN-INFORMATION-ERROR) contain source and destination addresses and PDU payload. The payload is transparent to the core network and it is specific for each application using the RIM procedures.

8c.2 Procedure description

When required by an application, a BSS shall send a RAN-INFORMATION or a RAN-INFORMATION-REQUEST PDU to the SGSN. Each PDU sent from the application shall contain a sequence number, which shall be incremented by one for each RAN-INFORMATION or RAN-INFORMATION-REQUEST PDU sent.

The procedures in the BSS may be event triggered or scheduled as decided by the application.

When the PDU has reached the SGSN controlling the target BSS, the SGSN shall, if that SGSN and the target BSS support the RIM procedures, send the RIM PDU to the destination BSS. The destination BSS shall then forward the PDU to the application addressed by the RIM Application Identity IE within the PDU.

When receiving a correct RAN-INFORMATION PDU the application in the destination BSS, if requested in the RAN-INFORMATION PDU, shall respond with a RAN-INFORMATION-ACK PDU. The same sequence number value as received in the RAN-INFORMATION PDU shall be used in the RAN-INFORMATION-ACK PDU.

When the PDU has reached the SGSN controlling the addressed BSS, the SGSN shall send the RAN-INFORMATION-ACK PDU to the destination BSS.

The destination BSS shall then forward the RAN-INFORMATION-ACK PDU to the application addressed by the RIM Application Identity IE within the PDU. The application shall then analyse the "Sequence Number" to confirm that the RAN-INFORMATION-ACK PDU was received with the same sequence number as the RAN-INFORMATION PDU. If an unexpected RAN-INFORMATION-ACK PDU is received, it shall be discarded.

If a BSS receiving a RAN-INFORMATION-REQUEST PDU accepts the request, the application in that BSS shall then reply by initiating the RAN Information Send procedure. The sequence number received in the RAN-INFORMATION-REQUEST PDU may not be used in the responded RAN-INFORMATION PDU.

When the RAN-INFORMATION-REQUEST PDU requests multiple reports, the receiving BSS shall initiate a RAN Information Send procedure immediately. In addition, the receiving BSS shall initiate a RAN Information Send procedure whenever the event that triggers the sending of the reports takes place. These events are specific to each application.

When the RAN-INFORMATION-REQUEST PDU requests a single report and there are ongoing multiple RAN Send procedures, then the multiple RAN Send procedures shall be stopped and single RAN Send procedure shall be initiated.

A RAN-INFORMATION PDU including the 'END' indication notifies the receiving BSS that any multiple RAN Send procedure referred to in the container unit of this RAN-INFORMATION PDU is stopped by the sender.

8c.3 Abnormal conditions

If a BSS receives a RAN-INFORMATION, RAN-INFORMATION-REQUEST or RAN-INFORMATION-ACK PDU with an unknown destination address, a RAN-INFORMATION-ERROR PDU shall be sent back to the originating BSS with Cause Value set to 'Unknown Destination Address' and containing the complete received PDU.

If an SGSN receives a RIM message with invalid destination address or addressed to a BSS which not support the RIM procedures, the message shall be discarded without any further action. The discard action may be logged by the O&M procedures.

A RIM message not recognised by a receiving SGSN or BSS shall be discarded without further action. The discard action may be logged by the O&M procedures.

If a BSS receives a RAN-INFORMATION, RAN-INFORMATION-REQUEST or RAN-INFORMATION-ACK PDU with an unknown application address in the RIM Application Identity IE, a RAN-INFORMATION-ERROR PDU shall be sent back to the originating BSS with the Cause Value set to 'Unknown Application Address' and containing the complete received PDU.

If a BSS receives a RAN-INFORMATION, RAN-INFORMATION-REQUEST or RAN-INFORMATION-ACK PDU and the application specific information is not available, the BSS shall send a RAN-INFORMATION-ERROR PDU

with Cause Value set to 'Missing Mandatory IE' or 'Missing Mandatory Container IE' back to the originating BSS and containing the complete received PDU.

If a BSS does not receive a RAN-INFORMATION PDU as response to the RAN-INFORMATION-REQUEST PDU or if the RAN-INFORMATION-ACK PDU is requested but not received with the same RIM Application Identity and Sequence Number as provided in the RAN-INFORMATION PDU, it is an implementation option how to proceed with further actions. If, as part of further actions, the original PDU is sent again, the sequence number value shall be incremented by one at each new retry.

If a BSS receives a RAN-INFORMATION-ERROR PDU as a response to a RAN-INFORMATION, RAN-INFORMATION-REQUEST or RAN-INFORMATION-ACK PDU, any possible ongoing repetitions of the PDU shall be terminated. Any further action to be taken is implementation dependent.

If a BSS receives a RAN-INFORMATION PDU containing a report related to an unknown RAN Information Request, it shall ignore the respective report without further action.

8c.4 RAN Information Request and RAN Information Send procedures used by the NACC application.

The rules specified below apply when the RIM Application Identity is set to NACC:

- The RAN-INFORMATION-REQUEST PDU is used to let a BSS request system information for one or more cells from another BSS. The Container Unit Disposition for the NACC application is specified in sub-clause 11.3.63.1.
 - The RAN-INFORMATION PDU is used to send system information for one or more cells (one Container Unit is used per source cell) from a source BSS to a destination BSS. The Container Unit Disposition for the NACC application is specified in sub-clause 11.3.64.1.
 - When multiple reports from a certain cell have been requested, the RAN-INFORMATION PDU is sent whenever there is a change in the system information affecting cell reselection in the referred cell.
- NOTE: As an implementation option, a BSS may use multiple reports to refresh the information sent to its neighbouring BSSs even when there has been no change in the System Information.
- The RAN-INFORMATION-ERROR PDU is used to indicate that a PDU could not be successfully decoded by the receiving BSS.

9 General Protocol Error Handling

Refer to General Protocol Error Handling/3GPP TS 48.016 [16]. In addition:

- any type of BSSGP PDU received without an expected conditional IE is discarded and a STATUS PDU (cause "Missing conditional IE") is sent;
- any type of BSSGP PDU received without a mandatory IE is discarded and a STATUS PDU (cause "Missing mandatory IE") is sent;
- any type of BSSGP PDU received with a syntactical error in an expected conditional IE is discarded and a STATUS PDU (cause "Conditional IE error") is sent;
- any type of BSSGP PDU received with a syntactical error in a mandatory IE is discarded and a STATUS PDU (cause "Invalid mandatory information") is sent;
- any type of BSSGP PDU received for a feature that is not negotiated is discarded and a STATUS PDU (cause "PDU not compatible with the feature set") is sent.

Some BSSGP PDU shall contain one and only one conditional IE amongst a defined list of possible conditional IE (e.g. PAGING-PS PDU). If such a BSSGP PDU is received with more than one conditional IE amongst the defined list of possible conditional IE, as defined in sub-clause 10, the PDU is discarded and a STATUS PDU (cause "Unexpected conditional IE") is sent.

10 PDU functional definitions and contents

10.1 General Structure Of A PDU

Refer to General Structure Of A PDU/3GPP TS 48.016 [16].

10.2 PDU functional definitions and contents at RL and BSSGP SAPs

10.2.1 DL-UNITDATA

This PDU is sent to the BSS to transfer an LLC-PDU across the radio interface to an MS.

PDU type: DL-UNITDATA

Direction: SGSN to BSS

Table 10.2.1: DL-UNITDATA PDU contents

| Information element | Type / Reference | Presence | Format | Length |
|--|------------------------------------|----------|--------|--------|
| PDU type | PDU type/11.3.26 | M | V | 1 |
| TLLI (current) | TLLI/11.3.35 | M | V | 4 |
| QoS Profile | QoS Profile/11.3.28 | M | V | 3 |
| PDU Lifetime | PDU Lifetime/11.3.25 | M | TLV | 4 |
| MS Radio Access capability (note 1) | MS Radio Access Capability/11.3.22 | O | TLV | 7-? |
| Priority | Priority/11.3.27 | O | TLV | 3 |
| DRX Parameters | DRX Parameters/11.3.11 | O | TLV | 4 |
| IMSI | IMSI/11.3.14 | O | TLV | 5-10 |
| TLLI (old) | TLLI/11.3.35 | O | TLV | 6 |
| PFI | PFI/11.3.42 | O | TLV | 3 |
| LSA Information | LSA Information/11.3.19 | O | TLV | 7-? |
| Service UTRAN CCO | Service UTRAN CCO/11.3.47 | O | TLV | 3 |
| Alignment octets | Alignment octets/11.3.1 | O | TLV | 2-5 |
| LLC-PDU (note 2) | LLC-PDU/11.3.15 | M | TLV | 2-? |
| NOTE 1: The field shall be present if there is valid MS Radio Access Capability information known by the SGSN; the field shall not be present otherwise. | | | | |
| NOTE 2: The LLC-PDU Length Indicator may be zero. | | | | |

10.2.2 UL-UNITDATA

This PDU transfers an MS's LLC-PDU and its associated radio interface information across the Gb-interface.

PDU type: UL-UNITDATA

Direction: BSS to SGSN

Table 10.2.2: UL-UNITDATA PDU content

| Information element | Type / Reference | Presence | Format | Length |
|---|-----------------------------|----------|--------|--------|
| PDU type | PDU type/11.3.26 | M | V | 1 |
| TLLI | TLLI/11.3.35 | M | V | 4 |
| QoS Profile | QoS Profile/11.3.28 | M | V | 3 |
| Cell Identifier | Cell Identifier/11.3.9 | M | TLV | 10 |
| PFI | PFI/11.3.42 | O | TLV | 3 |
| LSA Identifier List | LSA Identifier List/11.3.18 | O | TLV | 3-? |
| Alignment octets | Alignment octets/11.3.1 | O | TLV | 2-5 |
| LLC-PDU (note) | LLC-PDU/11.3.15 | M | TLV | 2-? |
| NOTE: The LLC-PDU Length Indicator may be zero. | | | | |

10.2.3 RA-CAPABILITY

This PDU informs the BSS of the new Radio Access Capability of an MS.

PDU type: RA-CAPABILITY

Direction: SGSN to BSS

Table 10.2.3: RA-CAPABILITY PDU content

| Information element | Type / Reference | Presence | Format | Length |
|----------------------------|------------------------------------|----------|--------|--------|
| PDU type | PDU type/11.3.26 | M | V | 1 |
| TLLI | TLLI/11.3.35 | M | TLV | 6 |
| MS Radio Access Capability | MS Radio Access Capability/11.3.22 | M | TLV | 7-? |

10.2.4 PTM-UNITDATA

This shall be developed in GPRS phase 2.

10.3 PDU functional definitions and contents at GMM SAP

10.3.1 PAGING PS

This PDU indicates that a BSS shall initiate the packet paging procedure for an MS within a group of cells.

PDU type: PAGING PS

Direction: SGSN to BSS

Table 10.3.1: PAGING PS PDU content

| Information elements | Type / Reference | Presence | Format | Length |
|----------------------------|--|----------|--------|--------|
| PDU type | PDU type/11.3.26 | M | V | 1 |
| IMSI | IMSI/11.3.14 | M | TLV | 5 -10 |
| DRX Parameters | DRX Parameters/11.3.11 | O | TLV | 4 |
| BVCI a) | BVCI/11.3.6 | C | TLV | 4 |
| Location Area (note) | Location Area/11.3.17 | C | TLV | 7 |
| Routeing Area (note) | Routeing Area/11.3.31 | C | TLV | 8 |
| BSS Area Indication (note) | BSS Area Indication/11.3.3 | C | TLV | 3 |
| PFI | PFI/11.3.42 | O | TLV | 3 |
| ABQP | ABQP/11.3.43 | O | TLV | 3-? |
| QoS Profile | QoS Profile/11.3.28 | M | TLV | 5 |
| P-TMSI | TMSI/11.3.36 | O | TLV | 6 |
| NOTE: | One and only one of the conditional IEs shall be present. No repeated instances of the conditional IEs are permissible (e.g. one and only one Location Area shall be present). | | | |

10.3.2 PAGING CS

This PDU indicates that a BSS shall initiate a circuit-switched paging procedure for an MS within a group of cells.

PDU type: PAGING CS

Direction: SGSN to BSS

Table 10.3.2: PAGING CS PDU content

| Information elements | Type / Reference | Presence | Format | Length |
|--|----------------------------|----------|--------|--------|
| PDU type | PDU type/11.3.26 | M | V | 1 |
| IMSI | IMSI/11.3.14 | M | TLV | 5 -10 |
| DRX Parameters | DRX Parameters/11.3.11 | M | TLV | 4 |
| BVCI a) | BVCI/11.3.6 | C | TLV | 4 |
| Location Area (note 1) | Location Area/11.3.17 | C | TLV | 7 |
| Routeing Area (note 1) | Routeing Area/11.3.31 | C | TLV | 8 |
| BSS Area Indication (note 1) | BSS Area Indication/11.3.3 | C | TLV | 3 |
| TLLI | TLLI/11.3.35 | O | TLV | 6 |
| Channel needed (note 2) | Channel needed/11.3.10 | O | TLV | 3 |
| eMLPP-Priority (note 2) | eMLPP-Priority/11.3.12 | O | TLV | 3 |
| TMSI (note 2) | TMSI/11.3.36 | O | TLV | 6 |
| Global CN-Id (note 2) | Global CN-Id/11.3.69 | O | TLV | 7 |
| NOTE 1: One and only one of the conditional IEs shall be present. No repeated instances of the conditional IEs are permissible (e.g. one and only one Location Area shall be present). | | | | |
| NOTE 2: These fields are provided by the MSC via the Gs-Interface. | | | | |

10.3.3 RA-CAPABILITY-UPDATE

This PDU requests that the SGSN send an MS's current Radio Access capability or IMSI to the BSS.

PDU type: RA-CAPABILITY-UPDATE

Direction: BSS to SGSN

Table 10.3.3: RA-CAPABILITY-UPDATE PDU content

| Information element | Type / Reference | Presence | Format | Length |
|---------------------|------------------|----------|--------|--------|
| PDU type | PDU type/11.3.26 | M | V | 1 |
| TLLI | TLLI/11.3.35 | M | TLV | 6 |
| Tag | Tag/11.3.34 | M | TLV | 3 |

10.3.4 RA-CAPABILITY-UPDATE-ACK

This PDU provides the BSS with an MS's current Radio Access capability and IMSI.

PDU type: RA-CAPABILITY-UPDATE-ACK

Direction: SGSN to BSS

Table 10.3.4: RA-CAPABILITY-UPDATE-ACK PDU content

| Information element | Type / Reference | Presence | Format | Length |
|---|------------------------------------|----------|--------|--------|
| PDU type | PDU type/11.3.26 | M | V | 1 |
| TLLI | TLLI/11.3.35 | M | TLV | 6 |
| Tag | Tag/11.3.34 | M | TLV | 3 |
| IMSI (note) | IMSI/11.3.14 | C | TLV | 5 -10 |
| RA-Cap-UPD-CAUSE | RA-Cap-UPD-CAUSE/11.3.30 | M | TLV | 3 |
| MS Radio Access Capability | MS Radio Access Capability/11.3.22 | C | TLV | 7-? |
| NOTE: If RA-Cap-UPD-CAUSE indicates failure of the RA-CAPABILITY-UPDATE procedure due to TLLI unknown in SGSN the IMSI IE will not be present. Otherwise, the IMSI will be present. | | | | |

10.3.5 RADIO-STATUS

This PDU indicates that an exception condition related to the radio interface has occurred.

PDU type: RADIO-STATUS

Direction: BSS to SGSN

Table 10.3.5: RADIO STATUS PDU content

| Information elements | Type / Reference | Presence | Format | Length |
|---|---------------------|----------|--------|--------|
| PDU type | PDU type/11.3.26 | M | V | 1 |
| TLLI (note) | TLLI/11.3.35 | C | TLV | 6 |
| TMSI (note) | TMSI/11.3.36 | C | TLV | 6 |
| IMSI (note) | IMSI/11.3.14 | C | TLV | 5-10 |
| Radio Cause | Radio Cause/11.3.29 | M | TLV | 3 |
| NOTE: One and only one of the conditional IEs shall be present. | | | | |

10.3.6 SUSPEND

This PDU indicates that an MS wishes to suspend its GPRS service.

PDU type: SUSPEND

Direction: BSS to SGSN

Table 10.3.6: SUSPEND PDU content

| Information elements | Type / Reference | Presence | Format | Length |
|----------------------|-----------------------|----------|--------|--------|
| PDU type | PDU type/11.3.26 | M | V | 1 |
| TLLI | TLLI/11.3.35 | M | TLV | 6 |
| Routeing Area | Routeing Area/11.3.31 | M | TLV | 8 |

10.3.7 SUSPEND-ACK

This PDU positively acknowledges the reception of a SUSPEND PDU for an MS.

PDU type: SUSPEND-ACK

Direction: SGSN to BSS

Table 10.3.7: SUSPEND-ACK PDU content

| Information elements | Type / Reference | Presence | Format | Length |
|--------------------------|----------------------------------|----------|--------|--------|
| PDU type | PDU type/11.3.26 | M | V | 1 |
| TLLI | TLLI/11.3.35 | M | TLV | 6 |
| Routeing Area | Routeing Area/11.3.31 | M | TLV | 8 |
| Suspend Reference Number | Suspend Reference Number/11.3.33 | M | TLV | 3 |

10.3.8 SUSPEND-NACK

This PDU negatively acknowledges the reception of a SUSPEND PDU for an MS.

PDU type: SUSPEND-NACK

Direction: SGSN to BSS

Table 10.3.8: SUSPEND-NACK PDU content

| Information elements | Type / Reference | Presence | Format | Length |
|----------------------|-----------------------|----------|--------|--------|
| PDU type | PDU type/11.3.26 | M | V | 1 |
| TLLI | TLLI/11.3.35 | M | TLV | 6 |
| Routeing Area | Routeing Area/11.3.31 | M | TLV | 8 |
| Cause | Cause/11.3.8 | O | TLV | 3 |

10.3.9 RESUME

This PDU indicates that an MS wishes to RESUME its GPRS service.

PDU type: RESUME

Direction: BSS to SGSN

Table 10.3.9: RESUME PDU content

| Information elements | Type / Reference | Presence | Format | Length |
|--------------------------|----------------------------------|----------|--------|--------|
| PDU type | PDU type/11.3.26 | M | V | 1 |
| TLLI | TLLI/11.3.35 | M | TLV | 6 |
| Routeing Area | Routeing Area/11.3.31 | M | TLV | 8 |
| Suspend Reference Number | Suspend Reference Number/11.3.33 | M | TLV | 3 |

10.3.10 RESUME-ACK

This PDU positively acknowledges the reception of a RESUME PDU for an MS.

PDU type: RESUME-ACK

Direction: SGSN to BSS

Table 10.3.10: RESUME-ACK PDU content

| Information elements | Type / Reference | Presence | Format | Length |
|----------------------|-----------------------|----------|--------|--------|
| PDU type | PDU type/11.3.26 | M | V | 1 |
| TLLI | TLLI/11.3.35 | M | TLV | 6 |
| Routeing Area | Routeing Area/11.3.31 | M | TLV | 8 |

10.3.11 RESUME-NACK

This PDU negatively acknowledges the reception of a RESUME PDU for an MS.

PDU type: RESUME-NACK

Direction: SGSN to BSS

Table 10.3.11: RESUME-NACK PDU content

| Information elements | Type / Reference | Presence | Format | Length |
|----------------------|-----------------------|----------|--------|--------|
| PDU type | PDU type/11.3.26 | M | V | 1 |
| TLLI | TLLI/11.3.35 | M | TLV | 6 |
| Routeing Area | Routeing Area/11.3.31 | M | TLV | 8 |
| Cause | Cause/11.3.8 | O | TLV | 3 |

10.4 PDU functional definitions and contents at NM SAP

10.4.1 FLUSH-LL

This PDU informs a BSS that an MS has moved from one cell to another.

PDU type: FLUSH-LL

Direction: SGSN to BSS

Table 10.4.1: FLUSH LL PDU content

| Information elements | Type / Reference | Presence | Format | Length |
|----------------------|---|----------|--------|--------|
| PDU type | PDU type/11.3.26 | M | V | 1 |
| TLLI | TLLI/11.3.35 | M | TLV | 6 |
| BVCI (old) | BVCI/11.3.6 | M | TLV | 4 |
| BVCI (new) | BVCI/11.3.6 | O | TLV | 4 |
| NSEI (new) | NSEI/11.3.48 | O (note) | TLV | 4 |
| NOTE: | NSEI (new) is included if the SGSN supports "Inter-NSE re-routing" or "LCS Procedures" and the old NSE supports the "Inter-NSE re-routing" or "LCS Procedures" and the cell change is an Inter-NSE cell change within a routing area. | | | |

10.4.2 FLUSH-LL-ACK

This PDU indicates that LLC-PDU(s) buffered for an MS in the old cell have been either deleted or transferred to the new cell within the routing area.

PDU type: FLUSH-LL-ACK

Direction: BSS to SGSN

Table 10.4.2: FLUSH LL ACK PDU content

| Information elements | Type / Reference | Presence | Format | Length |
|---|-----------------------------------|------------|--------|--------|
| PDU type | PDU type/11.3.26 | M | V | 1 |
| TLLI | TLLI/11.3.35 | M | TLV | 6 |
| Flush Action | Flush Action/11.3.13 | M | TLV | 3 |
| BVCI (new) | BVCI/11.3.13 | C (note 1) | TLV | 4 |
| Number of octets affected | Number of octets affected/11.3.41 | M | TLV | 5 |
| NSEI (new) | NSEI/11.3.48 | C (note 2) | TLV | 4 |
| PFC transfer result | PFC transfer result/11.3.42b | O (note 3) | TLV | 3 |
| NOTE 1: BVCI (new) is included only if Flush action indicated that LLC-PDUs are transferred. | | | | |
| NOTE 2: NSEI (new) is included only if BVCI(new) is included and NSEI (new) is received in the FLUSH-LL PDU. | | | | |
| NOTE 3: PFC transfer result is included if the BSS wants to indicate to the SGSN whether it was possible or not to keep the QoS characteristics of the BSS Context in the new BVCI. | | | | |

10.4.3 LLC-DISCARDED

This PDU indicates that a number of buffered LLC-PDUs in a cell for an MS have been deleted inside the BSS (because of PDU Lifetime expiration or radio outage for example). The LLC frames and the related octets deleted by the BSS as a consequence of a FLUSH-LL procedure (see sub-clause 8.1) shall not be reported a second time by means of an LLC-DISCARDED PDU.

PDU type: LLC-DISCARDED

Direction: BSS to SGSN

Table 10.4.3: LLC DISCARDED PDU content

| Information elements | Type / Reference | Presence | Format | Length |
|---|-----------------------------------|----------|--------|--------|
| PDU type | PDU type/11.3.26 | M | V | 1 |
| TLLI | TLLI/11.3.35 | M | TLV | 6 |
| LLC Frames Discarded | LLC Frames Discarded/11.3.16 | M | TLV | 3 |
| BVCI | BVCI/11.3.6 | M | TLV | 4 |
| Number of octets deleted | Number of octets affected/11.3.41 | M | TLV | 5 |
| PFI (note) | PFI/11.3.42 | O | TLV | 3 |
| NOTE: The PFI may be provided in case the PFC flow control feature is negotiated. It corresponds to the Packet Flow Identifier of the PFC for which LLC frames have been discarded. | | | | |

10.4.4 FLOW-CONTROL-BVC

This PDU informs the flow control mechanism at an SGSN of the status of a BVC's maximum acceptable SGSN to BSS throughput on the Gb interface.

PDU type: FLOW-CONTROL-BVC

Direction: BSS to SGSN

Table 10.4.4: FLOW-CONTROL-BVC PDU content

| Information elements | Type / Reference | Presence | Format | Length |
|----------------------|---------------------------|----------|--------|--------|
| PDU type | PDU type/11.3.26 | M | V | 1 |
| Tag | Tag/11.3.34 | M | TLV | 3 |
| BVC Bucket Size | BVC Bucket Size/11.3.5 | M | TLV | 4 |
| Bucket Leak Rate | Bucket Leak Rate/11.3.4 | M | TLV | 4 |
| Bmax default MS | Bmax default MS/11.3.2 | M | TLV | 4 |
| R_default_MS | R_default_MS/11.3.32 | M | TLV | 4 |
| Bucket_Full Ratio | Bucket_Full Ratio/11.3.46 | C | TLV | 3 |
| BVC Measurement | BVC Measurement/11.3.7 | O | TLV | 4 |

10.4.5 FLOW-CONTROL-BVC-ACK

This PDU informs the flow control mechanism at the BSS that the SGSN has received the FLOW-CONTROL-BVC PDU indicated by the Tag.

PDU type: FLOW-CONTROL-BVC-ACK

Direction: SGSN to BSS

Table 10.4.5: FLOW-CONTROL-BVC-ACK PDU content

| Information elements | Type / Reference | Presence | Format | Length |
|----------------------|------------------|----------|--------|--------|
| PDU type | PDU type/11.3.26 | M | V | 1 |
| Tag | Tag/11.3.34 | M | TLV | 3 |

10.4.6 FLOW-CONTROL-MS

This PDU informs the flow control mechanism at an SGSN of the status of an MS's maximum acceptable SGSN to BSS throughput on the Gb interface.

PDU type: FLOW-CONTROL-MS

Direction: BSS to SGSN

Table 10.4.6: FLOW-CONTROL-MS PDU content

| Information elements | Type / Reference | Presence | Format | Length |
|----------------------|---------------------------|----------|--------|--------|
| PDU type | PDU type/11.3.26 | M | V | 1 |
| TLLI | TLLI/11.3.35 | M | TLV | 6 |
| Tag | Tag/11.3.34 | M | TLV | 3 |
| MS Bucket Size | MS Bucket Size/11.3.21 | M | TLV | 4 |
| Bucket Leak rate | Bucket Leak rate/11.3.4 | M | TLV | 4 |
| Bucket_Full Ratio | Bucket_Full Ratio/11.3.46 | C | TLV | 3 |

10.4.7 FLOW-CONTROL-MS-ACK

This PDU informs the flow control mechanism at the BSS that the SGSN has received the FLOW-CONTROL-MS PDU indicated by the TLLI and the Tag.

PDU type: FLOW-CONTROL-MS-ACK

Direction: SGSN to BSS

Table 10.4.7: FLOW-CONTROL-MS-ACK PDU content

| Information elements | Type / Reference | Presence | Format | Length |
|----------------------|------------------|----------|--------|--------|
| PDU type | PDU type/11.3.26 | M | V | 1 |
| TLLI | TLLI/11.3.35 | M | TLV | 6 |
| Tag | Tag/11.3.34 | M | TLV | 3 |

10.4.8 BVC-BLOCK

This PDU indicates that the contained BVC shall be blocked at the recipient entity.

PDU type: BVC-BLOCK

Direction: BSS to SGSN

Table 10.4.8: BVC-BLOCK PDU content

| Information elements | Type / Reference | Presence | Format | Length |
|----------------------|------------------|----------|--------|--------|
| PDU type | PDU type/11.3.26 | M | V | 1 |
| BVCI | BVCI/11.3.6 | M | TLV | 4 |
| Cause | Cause/11.3.8 | M | TLV | 3 |

10.4.9 BVC-BLOCK-ACK

This PDU acknowledges that a BVC has been blocked.

PDU type: BVC-BLOCK-ACK

Direction: SGSN to BSS

Table 10.4.9: BVC-BLOCK-ACK PDU content

| Information elements | Type / Reference | Presence | Format | Length |
|----------------------|------------------|----------|--------|--------|
| PDU type | PDU type/11.3.26 | M | V | 1 |
| BVCI | BVCI/11.3.6 | M | TLV | 4 |

10.4.10 BVC-UNBLOCK

This PDU indicates that the identified BVC shall be unblocked at the recipient entity.

PDU type: BVC-UNBLOCK

Direction: BSS to SGSN

Table 10.4.10: BVC-UNBLOCK PDU content

| Information elements | Type / Reference | Presence | Format | Length |
|----------------------|------------------|----------|--------|--------|
| PDU type | PDU type/11.3.26 | M | V | 1 |
| BVCI | BVCI/11.3.6 | M | TLV | 4 |

10.4.11 BVC-UNBLOCK-ACK

This PDU acknowledges that a BVC has been unblocked.

PDU type: BVC-UNBLOCK-ACK

Direction: SGSN to BSS

Table 10.4.11: BVC-UNBLOCK-ACK PDU content

| Information elements | Type / Reference | Presence | Format | Length |
|----------------------|------------------|----------|--------|--------|
| PDU type | PDU type/11.3.26 | M | V | 1 |
| BVCI | BVCI/11.3.6 | M | TLV | 4 |

10.4.12 BVC-RESET

This PDU indicates that BVC initialisation is required, e.g. because of a BVC failure.

PDU type: BVC-RESET

Direction: SGSN to BSS, BSS to SGSN

Table 10.4.12: BVC-RESET PDU content

| Information elements | Type / Reference | Presence | Format | Length |
|---|------------------------|----------|--------|--------|
| PDU type | PDU type/11.3.26 | M | V | 1 |
| BVCI | BVCI/11.3.6 | M | TLV | 4 |
| Cause | Cause/11.3.8 | M | TLV | 3 |
| Cell Identifier (note 1) | | C | TLV | 10 |
| Feature bitmap (note 2) | Feature bitmap/11.3.40 | O | TLV | 3 |
| NOTE 1: The Cell Identifier IE is mandatory in the BVC-RESET PDU sent from BSS to SGSN in order to reset a BVC corresponding to a PTP functional entity. The Cell Identifier IE shall not be used in any other BVC-RESET PDU. | | | | |
| NOTE 2: The Feature bitmap is only sent in a BVC-RESET PDU related to the signalling BVC. Absence of this IE implies no optional features are available over the NSE. | | | | |

10.4.13 BVC-RESET-ACK

This PDU indicates that BVC initialisation has been executed.

PDU type: BVC-RESET-ACK

Direction: BSS to SGSN, SGSN to BSS

Table 10.4.13: BVC-RESET-ACK PDU content

| Information elements | Type / Reference | Presence | Format | Length |
|--|------------------------|----------|--------|--------|
| PDU type | PDU type/11.3.26 | M | V | 1 |
| BVCI | BVCI/11.3.6 | M | TLV | 4 |
| Cell Identifier (note 1) | | C | TLV | 10 |
| Feature bitmap (note 2) | Feature bitmap/11.3.40 | O | TLV | 3 |
| NOTE 1: The Cell Identifier IE is mandatory in the BVC-RESET-ACK PDU sent from BSS to SGSN in response to reset a BVC corresponding to a PTP functional entity. The Cell Identifier IE shall not be used in any other BVC-RESET-ACK PDU. | | | | |
| NOTE 2: The Feature bitmap is only sent in a BVC-RESET-ACK PDU related to the signalling BVC. Absence of this IE implies no optional features are available over the NSE. | | | | |

10.4.14 STATUS

This PDU indicates that an exception condition occurred.

PDU type: STATUS

Direction: SGSN to BSS, BSS to SGSN

Table 10.4.14: STATUS PDU content

| Information elements | Type / Reference | Presence | Format | Length |
|---|----------------------|----------|--------|--------|
| PDU type | PDU type/11.3.26 | M | V | 1 |
| Cause | Cause/11.3.8 | M | TLV | 3 |
| BVCI | BVCI/11.3.6 | C | TLV | 4 |
| PDU In Error (note) | PDU In Error/11.3.24 | O | TLV | 3-? |
| NOTE: This is the whole PDU (starting with the [PDU type]) within which an error was detected. This PDU may be truncated if it exceeds the information carrying capacity of the underlying network service. | | | | |

10.4.14.1 Static conditions for BVCI

The "BVCI" IE shall be included when the "Cause" IE is set to one of the following values:

- a) "BVCI blocked";
- b) "BVCI unknown";

and shall not be included otherwise.

10.4.15 SGSN-INVOKE-TRACE

This PDU indicates that the BSS shall begin the production of a trace record for an MS.

PDU type: SGSN-INVOKE-TRACE

Direction: SGSN to BSS

Table 10.4.15: SGSN-INVOKE-TRACE PDU content

| Information elements | Type / Reference | Presence | Format | Length |
|----------------------|-------------------------|----------|--------|--------|
| PDU type | PDU type/11.3.26 | M | V | 1 |
| Trace Type | Trace Type/11.3.38 | M | TLV | 3 |
| Trace Reference | Trace Reference/11.3.37 | M | TLV | 4 |
| Trigger Id | Trigger Id/11.3.40 | O | TLV | 4-24 |
| Mobile Id | Mobile Id/11.3.20 | O | TLV | 3-10 |
| OMC Id | OMC Id/11.3.23 | O | TLV | 4-24 |
| TransactionId | TransactionId/11.3.39 | O | TLV | 4 |

10.4.16 DOWNLOAD-BSS-PFC

This PDU requests a SGSN to initiate a CREATE-BSS-PFC procedure.

PDU type: DOWNLOAD-BSS-PFC

Direction: BSS to SGSN

Table 10.4.16: DOWNLOAD-BSS-PFC PDU content

| Information elements | Type / Reference | Presence | Format | Length |
|----------------------|------------------|----------|--------|--------|
| PDU type | PDU type/11.3.26 | M | V | 1 |
| TLLI | TLLI/11.3.35 | M | TLV | 6 |
| PFI | PFI/11.3.42 | M | TLV | 3 |

10.4.17 CREATE-BSS-PFC

This PDU allows the SGSN to request that a BSS create or modify a BSS Packet Flow Context.

PDU type: CREATE-BSS-PFC

Direction: SGSN to BSS

Table 10.4.17: CREATE-BSS-PFC PDU content

| Information elements | Type / Reference | Presence | Format | Length |
|----------------------|---------------------------|----------|--------|--------|
| PDU type | PDU type/11.3.26 | M | V | 1 |
| TLLI | TLLI/11.3.35 | M | TLV | 6 |
| IMSI | IMSI/11.3.14 | O | TLV | 5-10 |
| PFI | PFI/11.3.42 | M | TLV | 3 |
| PFT | GPRS Timer/11.3.44 | M | TLV | 3 |
| ABQP | ABQP/11.3.43 | M | TLV | 3-? |
| Service UTRAN CCO | Service UTRAN CCO/11.3.47 | O | TLV | 3 |

10.4.18 CREATE-BSS-PFC-ACK

This PDU allows the BSS to acknowledge a request from the SGSN for the creation or modification of a BSS Packet Flow Context.

PDU type: CREATE-BSS-PFC-ACK

Direction: BSS to SGSN

Table 10.4.18: CREATE-BSS-PFC-ACK PDU content

| Information elements | Type / Reference | Presence | Format | Length |
|----------------------|------------------|----------|--------|--------|
| PDU type | PDU type/11.3.26 | M | V | 1 |
| TLLI | TLLI/11.3.35 | M | TLV | 6 |
| PFI | PFI/11.3.42 | M | TLV | 3 |
| ABQP | ABQP/11.3.43 | M | TLV | 3-? |

10.4.19 CREATE-BSS-PFC-NACK

This PDU allows the BSS to Nack a request from the SGSN for the creation of a BSS Packet Flow Context.

PDU type: CREATE-BSS-PFC-NACK

Direction: BSS to SGSN

Table 10.4.19: CREATE-BSS-PFC-NACK PDU content

| Information elements | Type / Reference | Presence | Format | Length |
|----------------------|------------------|----------|--------|--------|
| PDU type | PDU type/11.3.26 | M | V | 1 |
| TLLI | TLLI/11.3.35 | M | TLV | 6 |
| PFI | PFI/11.3.42 | M | TLV | 3 |
| Cause | Cause/11.3.8 | M | TLV | 3 |

10.4.20 MODIFY-BSS-PFC

This PDU allows the BSS to request a modification of a BSS Packet Flow Context.

PDU type: MODIFY-BSS-PFC

Direction: BSS to SGSN

Table 10.4.20: MODIFY-BSS-PFC PDU content

| Information elements | Type / Reference | Presence | Format | Length |
|----------------------|------------------|----------|--------|--------|
| PDU type | PDU type/11.3.26 | M | V | 1 |
| TLLI | TLLI/11.3.35 | M | TLV | 6 |
| PFI | PFI/11.3.42 | M | TLV | 3 |
| ABQP | ABQP/11.3.43 | M | TLV | 3-? |

10.4.21 MODIFY-BSS-PFC-ACK

This PDU allows the SGSN to acknowledge a modification to a BSS Packet Flow Context.

PDU type: MODIFY-BSS-PFC-ACK

Direction: SGSN to BSS

Table 10.4.21: MODIFY-BSS-PFC-ACK PDU content

| Information elements | Type / Reference | Presence | Format | Length |
|----------------------|------------------|----------|--------|--------|
| PDU type | PDU type/11.3.26 | M | V | 1 |
| TLLI | TLLI/11.3.35 | M | TLV | 6 |
| PFI | PFI/11.3.42 | M | TLV | 3 |
| PFT | GPRS Timer | M | TLV | 3 |
| ABQP | ABQP/11.3.43 | M | TLV | 3-? |

10.4.22 DELETE-BSS-PFC

This PDU allows the SGSN to request that a BSS delete a BSS Packet Flow Context.

PDU type: DELETE-BSS-PFC

Direction: SGSN to BSS

Table 10.4.22: DELETE-BSS-PFC PDU content

| Information elements | Type / Reference | Presence | Format | Length |
|----------------------|------------------|----------|--------|--------|
| PDU type | PDU type/11.3.26 | M | V | 1 |
| TLLI | TLLI/11.3.35 | M | TLV | 6 |
| PFI | PFI/11.3.42 | M | TLV | 3 |

10.4.23 DELETE-BSS-PFC-ACK

This PDU allows the BSS to acknowledge a request for the deletion of a BSS Packet Flow Context.

PDU type: DELETE-BSS-PFC-ACK

Direction: BSS to SGSN

Table 10.4.23: DELETE-BSS-PFC-ACK PDU content

| Information elements | Type / Reference | Presence | Format | Length |
|----------------------|------------------|----------|--------|--------|
| PDU type | PDU type/11.3.26 | M | V | 1 |
| TLLI | TLLI/11.3.35 | M | TLV | 6 |
| PFI | PFI/11.3.42 | M | TLV | 3 |

10.4.24 FLOW-CONTROL-PFC

This PDU provides the SGSN with flow control information regarding one or more PFC(s) of a given Mobile Station.

PDU type: FLOW-CONTROL-PFC

Direction: BSS to SGSN

Table 10.4.24: FLOW-CONTROL-PFC PDU content

| Information elements | Type / Reference | Presence | Format | Length |
|-----------------------------|-------------------------------------|----------|--------|--------|
| PDU type | PDU type/11.3.26 | M | V | 1 |
| TLLI | TLLI/11.3.35 | M | TLV | 6 |
| Tag | Tag/11.3.34 | M | TLV | 3 |
| MS Bucket Size | MS Bucket Size/11.3.21 | O | TLV | 4 |
| Bucket Leak rate | Bucket Leak rate/11.3.4 | O | TLV | 4 |
| Bucket_Full Ratio | Bucket_Full Ratio/11.3.46 | O | TLV | 3 |
| PFC flow control parameters | PFC flow control parameters/11.3.68 | M | TLV | |

10.4.25 FLOW-CONTROL-PFC-ACK

This PDU informs the flow control mechanism at the BSS that the SGSN has received the FLOW-CONTROL-PFC PDU indicated by the TLLI and the Tag.

PDU type: FLOW-CONTROL-PFC-ACK

Direction: SGSN to BSS

Table 10.4.25: FLOW-CONTROL-PFC-ACK PDU content

| Information elements | Type / Reference | Presence | Format | Length |
|----------------------|------------------|----------|--------|--------|
| PDU type | PDU type/11.3.26 | M | V | 1 |
| TLLI | TLLI/11.3.35 | M | TLV | 6 |
| Tag | Tag/11.3.34 | M | TLV | 3 |

10.5 PDU functional definitions and contents at LCS SAP

10.5.1 PERFORM-LOCATION-REQUEST

This PDU allows the SGSN to request the BSS to perform a location procedure for the target MS.

PDU type: PERFORM-LOCATION-REQUEST

Direction: SGSN to BSS

Table 10.5.1: PERFORM-LOCATION-REQUEST PDU content

| Information elements | Type / Reference | Presence | Format | Length |
|--|---------------------------------------|----------|--------|--------|
| PDU type | PDU type/11.3.26 | M | V | 1 |
| TLLI | TLLI/11.3.35 | M | TLV | 6 |
| IMSI | IMSI/11.3.14 | M | TLV | 5-10 |
| DRX Parameters (note 1) | DRX Parameters/11.3.11 | O | TLV | 4 |
| BVCI (PCU-PTP) | BVCI/11.3.6 | M | TLV | 4 |
| NSEI (PCU-PTP) | NSEI/11.3.48 | M | TLV | 4-? |
| Location Type | Location Type/11.3.53 | M | TLV | 3-? |
| Cell Identifier | Cell Identifier/11.3.9 | M | TLV | 10 |
| LCS Capability (note 2) | LCS Capability/11.3.59 | O | TLV | 3-? |
| LCS Priority | LCS Priority/11.3.57 | O | TLV | 3-? |
| LCS QoS | LCS QoS/11.3.50 | O | TLV | 3-? |
| LCS Client Type (note 3) | LCS Client Type/11.3.51 | C | TLV | 3-? |
| Requested GPS Assistance Data (note 4) | Requested GPS Assistance Data/11.3.52 | O | TLV | 3-? |

NOTE 1: This IE is present if the SGSN has valid DRX Parameters for the TLLI.

NOTE 2: This IE is present if the SGSN has received the information from the MS.

NOTE 3: This IE is present if the location type indicates a request for a location estimate and is optional otherwise.

NOTE 4: This IE is present if GPS assistance data is requested.

10.5.2 PERFORM-LOCATION-RESPONSE

This PDU allows the BSS to respond to the SGSN after the completion of the location procedure.

PDU type: PERFORM-LOCATION-RESPONSE

Direction: BSS to SGSN

Table 10.5.2: PERFORM-LOCATION-RESPONSE PDU content

| Information elements | Type / Reference | Presence | Format | Length |
|--|---------------------------|----------|--------|--------|
| PDU type | PDU type/11.3.26 | M | V | 1 |
| TLLI | TLLI/11.3.35 | M | TLV | 6 |
| BVCI (PCU-PTP) | BVCI/11.3.6 | M | TLV | 4 |
| Location Estimate (note 1) | Location Estimate/11.3.54 | C | TLV | 3-? |
| Positioning Data | Positioning Data/11.3.55 | O | TLV | 3-? |
| Deciphering Keys (note 2) | Deciphering Keys/11.3.56 | C | TLV | 3-? |
| LCS Cause (note 3) | LCS Cause/11.3.58 | O | TLV | 3-? |
| NOTE 1: This IE is present if the location of the target MS was requested and the procedure succeeded. | | | | |
| NOTE 2: This IE is present if the deciphering keys were requested and the procedure succeeded. | | | | |
| NOTE 3: This IE is present if the procedure failed. | | | | |

10.5.3 PERFORM-LOCATION-ABORT

This PDU allows the SGSN to request the BSS to ABORT the LCS procedure.

PDU type: PERFORM-LOCATION-ABORT

Direction: SGSN to BSS

Table 10.5.3: PERFORM-LOCATION-ABORT PDU content

| Information elements | Type / Reference | Presence | Format | Length |
|----------------------|-------------------|----------|--------|--------|
| PDU type | PDU type/11.3.26 | M | V | 1 |
| TLLI | TLLI/11.3.35 | M | TLV | 6 |
| BVCI (PCU-PTP) | BVCI/11.3.6 | M | TLV | 4 |
| LCS Cause | LCS Cause/11.3.58 | M | TLV | 3-? |

10.5.4 POSITION-COMMAND

This PDU allows the BSS to request the SGSN to perform the position command procedure.

PDU type: POSITION-COMMAND

Direction: BSS to SGSN

Table 10.5.4: POSITION-COMMAND PDU content

| Information elements | Type / Reference | Presence | Format | Length |
|----------------------|--------------------|----------|--------|--------|
| PDU type | PDU type/11.3.26 | M | V | 1 |
| TLLI | TLLI/11.3.35 | M | TLV | 6 |
| BVCI (PCU-PTP) | BVCI/11.3.6 | M | TLV | 4 |
| RRLP Flags | RRLP Flags/11.3.60 | M | TLV | 3 |
| RRLP APDU | RRLP APDU/11.3.49 | M | TLV | 3-? |

10.5.5 POSITION-RESPONSE

This PDU allows the SGSN to respond to the position command request procedure.

PDU type: POSITION-RESPONSE

Direction: SGSN to BSS

Table 10.5.5: POSITION-RESPONSE PDU content

| Information elements | Type / Reference | Presence | Format | Length |
|----------------------|--|----------|--------|--------|
| PDU type | PDU type/11.3.26 | M | V | 1 |
| TLLI | TLLI/11.3.35 | M | TLV | 6 |
| BVCI (PCU-PTP) | BVCI/11.3.6 | M | TLV | 4 |
| RRLP Flags a) | RRLP Flags/11.3.60 | C | TLV | 3 |
| RRLP APDU a) | RRLP APDU/11.3.49 | C | TLV | 3-? |
| LCS Cause b) | LCS Cause/11.3.58 | O | TLV | 3-? |
| a) | This IE is present if the procedure succeeded. | | | |
| b) | This IE is present if the procedure failed. | | | |

10.6 PDU functional definitions and contents at RIM SAP

10.6.1 RAN-INFORMATION-REQUEST

This PDU allows a BSS to request information from another BSS via the core network.

PDU type: RAN-INFORMATION-REQUEST

Direction: BSS to SGSN
SGSN to BSS

Table 10.6.1: RAN-INFORMATION-REQUEST PDU content

| Information elements | Type / Reference | Presence | Format | Length |
|--|---|----------|--------|--------|
| PDU type | PDU type/11.3.26 | M | V | 1 |
| Destination Cell Identifier (note 1) | Cell Identifier/11.3.9 | M | TLV | 10 |
| Source Cell Identifier | Cell Identifier/11.3.9 | M | TLV | 10 |
| RIM Application Identity | RIM Application Identity/11.3.61 | M | TLV | 3 |
| Sequence Number (note 3) | RIM Sequence Number/11.3.62 | M | TLV | 4 |
| RAN Information Request Indications (note 4) | RAN Information Request Indications/11.3.67 | O | TLV | 3 |
| Container Unit (note 5) | RAN-INFORMATION-REQUEST Container Unit/11.3.63 | O | TLV | 4-? |
| NOTE 1: | Identity of one of the cells controlled by the destination BSS. | | | |
| NOTE 2: | The Destination/Source Cell Identifiers are used to identify a BSS in A/Gb mode. | | | |
| NOTE 3: | The Sequence Number IE shall be incremented by one for each RAN-INFORMATION-REQUEST and RAN-INFORMATION PDU sent from an application. | | | |
| NOTE 4: | If the IE is omitted, the behaviour of the BSS shall be the same as when the value part of the IE is x00. | | | |
| NOTE 5: | This IE might be omitted for some applications if so specified. | | | |

10.6.2 RAN-INFORMATION

This PDU allows a BSS to send information to another BSS via the core network.

PDU type: RAN-INFORMATION

Direction: BSS to SGSN
SGSN to BSS

Table 10.6.2: RAN-INFORMATION-PDU content

| Information elements | Type / Reference | Presence | Format | Length |
|---|---|----------|--------|--------|
| PDU type | PDU type/11.3.26 | M | V | 1 |
| Destination Cell Identifier (note 1) | Cell Identifier/11.3.9 | M | TLV | 10 |
| Source Cell Identifier | Cell Identifier/11.3.9 | M | TLV | 10 |
| RIM Application Identity | RIM Application Identity /11.3.61 | M | TLV | 3 |
| Sequence Number (note 3) | RIM Sequence Number /11.3.62 | M | TLV | 4 |
| RAN Information Indications (note 4) | RAN Information Indications /11.3.65 | O | TLV | 3 |
| RIM Cause | Cause/11.3.8 | O | TLV | 3 |
| Number of Container Units (note 5) | Number of Container Units /11.3.66 | M | TLV | 3 |
| Container Unit (1) (note 5) | RAN-INFORMATION Container Unit /11.3.64 | M | TLV | 4-? |
| Container Unit (2) (note 5) | RAN-INFORMATION Container Unit /11.3.64 | O | TLV | 4-? |
| " | | | | |
| Container Unit (n) (note 5) | RAN-INFORMATION Container Unit /11.3.64 | O | TLV | 4-? |
| NOTE 1: Identity of one of the cells under the destination BSS. | | | | |
| NOTE 2: The Destination Cell Identifier is used to identify a BSS in <i>A/Gb mode</i> . | | | | |
| NOTE 3: The Sequence Number IE shall be incremented by one for each RAN-INFORMATION-REQUEST and RAN-INFORMATION PDU sent from an application. | | | | |
| NOTE 4: If the IE is omitted, the behaviour of the BSS shall be the same as when the value part of the IE is x00. | | | | |
| NOTE 5: At least one Container Unit shall be present in the PDU. | | | | |

10.6.3 RAN-INFORMATION-ACK

This PDU allows a BSS to acknowledge the receipt of a RAN-INFORMATION PDU received from another BSS via the core network.

PDU type: RAN-INFORMATION-ACK

Direction: BSS to SGSN
SGSN to BSS

Table 10.6.3: RAN-INFORMATION-ACK PDU content

| Information elements | Type / Reference | Presence | Format | Length |
|---|-----------------------------------|----------|--------|--------|
| PDU type | PDU type/11.3.26 | M | V | 1 |
| Destination Cell Identifier (note 1) | Cell Identifier/11.3.9 | M | TLV | 10 |
| Source Cell Identifier | Cell Identifier/11.3.9 | M | TLV | 10 |
| RIM Application Identity | RIM Application Identity /11.3.61 | M | TLV | 3 |
| Sequence Number (note 2) | RIM Sequence Number /11.3.62 | M | TLV | 4 |
| NOTE 1: Identity of one of the cells controlled by the destination BSS. | | | | |
| NOTE 2: The same sequence number value as received in the RAN-INFORMATION PDU shall be used in the RAN-INFORMATION-ACK PDU. | | | | |
| NOTE 3: The Destination Cell Identifier is used to identify a BSS in <i>A/Gb mode</i> . | | | | |

10.6.4 RAN-INFORMATION-ERROR

This PDU allows a BSS or an SGSN to send an error PDU back to an originating BSS as a response to a RAN-INFORMATION, a RAN-INFORMATION-REQUEST or a RAN-INFORMATION-ACK PDU. The PDU payload contains the complete faulty PDU.

PDU type: RAN-INFORMATION-ERROR

Direction: BSS to SGSN
SGSN to BSS

Table 10.6.4: RAN-INFORMATION-ERROR content

| Information elements | Type / Reference | Presence | Format | Length |
|--|-----------------------------------|----------|--------|--------|
| PDU type | PDU type/11.3.26 | M | V | 1 |
| Destination Cell Identifier (note 1) | Cell Identifier/11.3.9 | M | TLV | 10 |
| Source Cell Identifier | Cell Identifier/11.3.9 | M | TLV | 10 |
| RIM Application Identity | RIM Application Identity /11.3.61 | M | TLV | 3 |
| RIM Cause | Cause/11.3.8 | M | TLV | 3 |
| PDU in Error (note 2) | PDU in Error/11.3.24 | M | TLV | 3-? |
| NOTE 1: Identity of one of the cells under the destination BSS. | | | | |
| NOTE 2: This is the whole PDU (starting with the [PDU type]) within which an error was detected. This PDU may be truncated if it exceeds the information carrying capacity of the underlying network service. | | | | |
| NOTE 3: The Destination Cell Identifier is used to identify a BSS in <i>A/Gb mode</i> . | | | | |

11 General information elements coding

The figures and text in this sub-clause describe the Information Elements contents.

11.1 General structure of the information elements

Refer to General Structure Of The Information Elements/3GPP TS 48.016 [16].

11.2 Information element description

Refer to Information Element Description/3GPP TS 48.016 [16].

11.3 Information Element Identifier (IEI)

An Information Element Identifier (IEI) is identified by the same coding in all BSSGP PDUs.

Table 11.3: IEI types

| IEI coding (hexadecimal) | IEI Types |
|--------------------------|---------------------|
| x00 | Alignment Octets |
| x01 | Bmax default MS |
| x02 | BSS Area Indication |
| x03 | Bucket Leak Rate |
| x04 | BVCI |
| x05 | BVC Bucket Size |
| x06 | BVC Measurement |
| x07 | Cause |
| x08 | Cell Identifier |
| x09 | Channel needed |
| x0a | DRX Parameters |
| x0b | eMLPP-Priority |

| IEI coding (hexadecimal) | IEI Types |
|-----------------------------|---|
| x0c | Flush Action |
| x0d | IMSI |
| x0e | LLC-PDU |
| x0f | LLC Frames Discarded |
| x10 | Location Area |
| x11 | Mobile Id |
| x12 | MS Bucket Size |
| x13 | MS Radio Access Capability |
| x14 | OMC Id |
| x15 | PDU In Error |
| x16 | PDU Lifetime |
| x17 | Priority |
| x18 | QoS Profile |
| x19 | Radio Cause |
| x1a | RA-Cap-UPD-Cause |
| x1b | Routeing Area |
| x1c | R_default_MS |
| x1d | Suspend Reference Number |
| x1e | Tag |
| x1f | TLLI |
| x20 | TMSI |
| x21 | Trace Reference |
| x22 | Trace Type |
| x23 | TransactionId |
| x24 | Trigger Id |
| x25 | Number of octets affected |
| x26 | LSA Identifier List |
| x27 | LSA Information |
| x28 | Packet Flow Identifier |
| x29 | Packet Flow Timer |
| x3a | Aggregate BSS QoS Profile (ABQP) |
| x3b | Feature Bitmap |
| x3c | Bucket_Full Ratio |
| x3d | Service UTRAN CCO (Cell Change Order) |
| x3e | NSEI |
| x3f | RRLP APDU |
| x40 | LCS QoS |
| x41 | LCS Client Type |
| x42 | Requested GPS Assistance Data |
| x43 | Location Type |
| x44 | Location Estimate |
| x45 | Positioning Data |
| x46 | Deciphering Keys |
| x47 | LCS Priority |
| x48 | LCS Cause |
| x49 | LCS Capability |
| x4a | RRLP Flags |
| x4b | RIM Application Identity |
| x4c | RIM Sequence number |
| x4d | RAN-INFORMATION-REQUEST Container Unit |
| x4e | RAN-INFORMATION Container Unit |
| x4f | RAN-INFORMATION-Indications |
| x50 | Number of Container Units |
| x51 | PFC transfer result |
| x52 | PFC flow control parameters |
| x53 | Global CN-Id |
| RESERVED | All values not explicitly shown are reserved for future use and shall be treated by the recipient as an unknown IEI |

11.3.1 Alignment octets

The Alignment Octets are used to align a subsequent IEI onto a 32 bit boundary. The element coding is:

Table 11.3.1: Alignment octets IE

| | 8 | 7 | 6 | 5 | 4 | 3 | 2 | 1 |
|-------------------|--|---|---|---|---|---|---|---|
| octet 1 | IEI | | | | | | | |
| octet 2,2a | Length Indicator (note) | | | | | | | |
| octet 3-5 | spare octet | | | | | | | |
| NOTE: | The Length Indicator may indicate that from 0 to 3 spare octets are present. | | | | | | | |

11.3.2 Bmax default MS

This information element indicates the default bucket size (Bmax) in octets for an MS. The element coding is:

Table 11.3.2: Bmax default MS IE

| | 8 | 7 | 6 | 5 | 4 | 3 | 2 | 1 |
|-------------------|------------------|---|---|---|---|---|---|---|
| octet 1 | IEI | | | | | | | |
| octet 2,2a | Length Indicator | | | | | | | |
| octet 3-4 | Bmax | | | | | | | |

The Bmax field is coded as Bmas of BVC Bucket Size, see sub-clause 11.3.5.

11.3.3 BSS Area Indication

This element is used to indicate that the paging shall be done in all the cells within the BSS. The element coding is:

Table 11.3.3: BSS Area Indication IE

| | 8 | 7 | 6 | 5 | 4 | 3 | 2 | 1 |
|-------------------|------------------|---|---|---|---|---|---|---|
| octet 1 | IEI | | | | | | | |
| octet 2,2a | Length Indicator | | | | | | | |
| octet 3 | BSS indicator | | | | | | | |

The coding of octet 2 is a binary number indicating the Length of the remaining element.

The coding of octet 3 shall not be specified. The recipient shall ignore the value of this octet.

11.3.4 Bucket Leak Rate (R)

This information element indicates the leak rate (R) to be applied to a flow control bucket. The element coding is:

Table 11.3.4: Bucket Leak Rate IE

| | 8 | 7 | 6 | 5 | 4 | 3 | 2 | 1 |
|-------------------|------------------|---|---|---|---|---|---|---|
| octet 1 | IEI | | | | | | | |
| octet 2,2a | Length Indicator | | | | | | | |
| octet 3 | R Value (MSB) | | | | | | | |
| octet 4 | R Value (LSB) | | | | | | | |

The R field is the binary encoding of the rate information expressed in 100 bits/s increments, starting from 0 x 100 bits/s until 65 535 x 100 bits/s (6 Mbps).

11.3.5 BVC Bucket Size

This information element indicates the maximum bucket size (Bmax) in octets for a BVC. The element coding is:

Table 11.3.5: BVC Bucket Size IE

| | 8 | 7 | 6 | 5 | 4 | 3 | 2 | 1 |
|-------------------|------------------|---|---|---|---|---|---|---|
| octet 1 | IEI | | | | | | | |
| octet 2,2a | Length Indicator | | | | | | | |
| octet 3 | Bmax (MSB) | | | | | | | |
| octet 4 | Bmax (LSB) | | | | | | | |

The Bmax field is the binary encoding of the bucket-size information expressed in 100 octet increments, starting from 0 x 100 octets until 65 535 x 100 octets (6 Mbytes).

11.3.6 BVCI (BSSGP Virtual Connection Identifier)

The BVCI identifies a BVC. The element coding is:

Table 11.3.6: BVCI IE

| | 8 | 7 | 6 | 5 | 4 | 3 | 2 | 1 |
|-------------------|--------------------|---|---|---|---|---|---|---|
| octet 1 | IEI | | | | | | | |
| octet 2,2a | Length Indicator | | | | | | | |
| octet 3-4 | Unstructured value | | | | | | | |

11.3.7 BVC Measurement

This information element describes average queuing delay for a BVC. The element coding is:

Table 11.3.7: BVC Measurement IE

| | 8 | 7 | 6 | 5 | 4 | 3 | 2 | 1 |
|-------------------|--------------------------------|---|---|---|---|---|---|---|
| octet 1 | IEI | | | | | | | |
| octet 2,2a | Length Indicator | | | | | | | |
| octet 3,4 | Delay Value (in centi-seconds) | | | | | | | |

The Delay Value field is coded as a 16-bit integer value in units of centi-seconds (one hundredth of a second). This coding provides a range of over 10 minutes in increments of 10 ms. As a special case, the hexadecimal value 0xFFFF (decimal 65 535) shall be interpreted as "infinite delay".

11.3.8 Cause

The Cause information element indicates the reason for an exception condition. The element coding is:

Table 11.3.8.a: Cause IE

| | 8 | 7 | 6 | 5 | 4 | 3 | 2 | 1 |
|-------------------|------------------|---|---|---|---|---|---|---|
| octet 1 | IEI | | | | | | | |
| octet 2,2a | Length Indicator | | | | | | | |
| octet 3 | Cause value | | | | | | | |

Table 11.3.8.b: Cause coding

| Cause value Hexadecimal | semantics of coding |
|----------------------------|---|
| | All values not listed below shall be treated as "protocol error - unspecified" |
| x00 | Processor overload |
| x01 | Equipment failure |
| x02 | Transit network service failure |
| x03 | Network service transmission capacity modified from zero kbps to greater than zero kbps |
| x04 | Unknown MS |
| x05 | BVCI unknown |
| x06 | cell traffic congestion |
| x07 | SGSN congestion |
| x08 | O & M intervention |
| x09 | BVCI-blocked |
| x0a | PFC create failure |
| x20 | Semantically incorrect PDU |
| x21 | Invalid mandatory information |
| x22 | Missing mandatory IE |
| x23 | Missing conditional IE |
| x24 | Unexpected conditional IE |
| x25 | Conditional IE error |
| x26 | PDU not compatible with the protocol state |
| x27 | Protocol error - unspecified |
| x28 | PDU not compatible with the feature set |
| x29 | Requested Information not available |
| x2a | Unknown Destination address |
| x2b | Unknown RIM Application Identity |
| x2c | Invalid Container Unit Information |

11.3.9 Cell Identifier

This information element uniquely identifies one cell. The element coding is:

Table 11.3.9: Cell Identifier IE

| | 8 | 7 | 6 | 5 | 4 | 3 | 2 | 1 |
|-------------|--|---|---|---|---|---|---|---|
| octet 1 | IEI | | | | | | | |
| octet 2,2a | Length Indicator | | | | | | | |
| octets 3-8 | Octets 3 to 8 contain the value part (starting with octet 2) of the <i>Routing Area Identification IE</i> defined in 3GPP TS 24.008 [11], not including 3GPP TS 24.008 IEI | | | | | | | |
| octets 9-10 | Octets 9 and 10 contain the value part (starting with octet 2) of the <i>Cell Identity IE</i> defined in 3GPP TS 24.008 [11], not including 3GPP TS 24.008 IEI | | | | | | | |

11.3.10 Channel needed

This information element is coded as defined in 3GPP TS 29.018. It is relevant to circuit-switched paging requests. The element coding is:

Table 11.3.10: Channel needed IE

| | 8 | 7 | 6 | 5 | 4 | 3 | 2 | 1 |
|------------|---|---|---|---|---|---|---|---|
| octet 1 | IEI | | | | | | | |
| octet 2,2a | Length Indicator | | | | | | | |
| octet 3 | Rest of element coded as the value part of the Channel Needed PDU defined in 3GPP TS 29.018, not including 3GPP TS 29.018 IEI and 3GPP TS 29.018 length indicator | | | | | | | |

11.3.11 DRX Parameters

This information element contains MS specific DRX information. The element coding is:

Table 11.3.11: DRX Parameters IE

| | 8 | 7 | 6 | 5 | 4 | 3 | 2 | 1 |
|-------------------|---|---|---|---|---|---|---|---|
| octet 1 | IEI | | | | | | | |
| octet 2,2a | Length Indicator | | | | | | | |
| octet 3-n | Rest of element coded as the value part defined in 3GPP TS 24.008, not including 3GPP TS 24.008 IEI and 3GPP TS 24.008 octet length indicator | | | | | | | |

11.3.12 eMLPP-Priority

This element indicates the eMLPP-Priority of a PDU. The element coding is:

Table 11.3.12: eMLPP-Priority IE

| | 8 | 7 | 6 | 5 | 4 | 3 | 2 | 1 |
|-------------------|--|---|---|---|---|---|---|---|
| octet 1 | IEI | | | | | | | |
| octet 2,2a | Length Indicator | | | | | | | |
| octet 3 | Rest of element coded as the value part of the eMLPP-Priority IE defined in 3GPP TS 48.008, not including 3GPP TS 48.008 IEI and 3GPP TS 48.008 length indicator | | | | | | | |

11.3.13 Flush Action

The Flush action information element indicates to the SGSN the action taken by the BSS in response to the flush request. The element coding is:

Table 11.3.13: Flush Action IE

| | 8 | 7 | 6 | 5 | 4 | 3 | 2 | 1 |
|-------------------|------------------|---|---|---|---|---|---|---|
| octet 1 | IEI | | | | | | | |
| octet 2,2a | Length Indicator | | | | | | | |
| octet 3 | Action value | | | | | | | |

Table 11.3.14: Action coding

| Action value Hexadecimal | semantics of coding |
|-----------------------------|---|
| x00 | LLC-PDU(s) deleted |
| x01 | LLC-PDU(s) transferred |
| | All values not explicitly shown are reserved for future use |

11.3.14 IMSI

This information element contains the International Mobile Subscriber Identity. The element coding is:

Table 11.3.14: IMSI IE

| | 8 | 7 | 6 | 5 | 4 | 3 | 2 | 1 |
|-------------------|---|---|---|---|---|---|---|---|
| octet 1 | IEI | | | | | | | |
| octet 2,2a | Length Indicator | | | | | | | |
| octet 3-n | Octets 3-n contain an IMSI coded as the value part (starting with octet 3) of the <i>Mobile Identity IE</i> defined in 3GPP TS 24.008, not including 3GPP TS 24.008 IEI and 3GPP TS 24.008 length indicator | | | | | | | |

11.3.15 LLC-PDU

This information element contains an LLC-PDU. The element coding is:

Table 11.3.15: LLC-PDU IE

| | 8 | 7 | 6 | 5 | 4 | 3 | 2 | 1 |
|-------------------|----------------------|---|---|---|---|---|---|---|
| octet 1 | IEI | | | | | | | |
| octet 2,2a | Length Indicator | | | | | | | |
| octet 3 | LLC-PDU (first part) | | | | | | | |
| octet n | LLC-PDU (last part) | | | | | | | |

11.3.16 LLC Frames Discarded

This element describes the number of LLC frames that have been discarded inside a BSS. The element coding is:

Table 11.3.16: LLC Frames Discarded IE

| | 8 | 7 | 6 | 5 | 4 | 3 | 2 | 1 |
|-------------------|---|---|---|---|---|---|---|---|
| octet 1 | IEI | | | | | | | |
| octet 2,2a | Length Indicator | | | | | | | |
| octet 3 | Number of frames discarded (in hexadecimal) | | | | | | | |

11.3.17 Location Area

This element uniquely identifies one Location Area. The element coding is:

Table 11.3.17: Location Area IE

| | 8 | 7 | 6 | 5 | 4 | 3 | 2 | 1 |
|-------------------|---|---|---|---|---|---|---|---|
| octet 1 | IEI | | | | | | | |
| octet 2,2a | Length Indicator | | | | | | | |
| octets 3-7 | Octets 3 to 7 contain the value part (starting with octet 2) of the <i>Location Area Identification IE</i> defined in 3GPP TS 24.008 [11], not including 3GPP TS 24.008 IEI | | | | | | | |

The coding of octet 2 is a binary number indicating the Length of the remaining element.

11.3.18 LSA Identifier List

This information element uniquely identifies LSAs. The element coding is:

Table 11.3.18: LSA Identifier List IE

| | 8 | 7 | 6 | 5 | 4 | 3 | 2 | 1 |
|------------|--|---|---|---|---|---|---|---|
| octet 1 | IEI | | | | | | | |
| octet 2,2a | Length Indicator | | | | | | | |
| octet 3-? | Rest of element coded as in 3GPP TS 48.008, not including 3GPP TS 48.008 IEI and 3GPP TS 48.008 length indicator | | | | | | | |

11.3.19 LSA Information

This information element uniquely identifies LSAs, the priority of each LSA and the access right outside these LSAs. The element coding is:

Table 11.3.19: LSA Information IE

| | 8 | 7 | 6 | 5 | 4 | 3 | 2 | 1 |
|------------|--|---|---|---|---|---|---|---|
| octet 1 | IEI | | | | | | | |
| octet 2,2a | Length Indicator | | | | | | | |
| octet 3-? | Rest of element coded as in 3GPP TS 48.008, not including 3GPP TS 48.008 IEI and 3GPP TS 48.008 length indicator | | | | | | | |

11.3.20 Mobile Id

The element coding is:

Table 11.3.20: Mobile Id IE

| | 8 | 7 | 6 | 5 | 4 | 3 | 2 | 1 |
|------------|---|---|---|---|---|---|---|---|
| octet 1 | IEI | | | | | | | |
| octet 2,2a | Length Indicator | | | | | | | |
| octet 3-n | Octets 3-n contain either the IMSI, IMEISV or IMEI coded as the value part (starting with octet 3) of the <i>Mobile Identity IE</i> defined in 3GPP TS 24.008, not including 3GPP TS 24.008 IEI and 3GPP TS 24.008 length indicator | | | | | | | |

11.3.21 MS Bucket Size

This information element indicates an MS's bucket size (Bmax). The element coding is:

Table 11.3.21: MS Bucket Size IE

| | 8 | 7 | 6 | 5 | 4 | 3 | 2 | 1 |
|------------|------------------|---|---|---|---|---|---|---|
| octet 1 | IEI | | | | | | | |
| octet 2,2a | Length Indicator | | | | | | | |
| octet 3-4 | Bmax | | | | | | | |

The Bmax field is coded as Bmax of BVC Bucket Size, see sub-clause 11.3.5.

11.3.22 MS Radio Access Capability

This information element contains the capabilities of the ME. The element coding is:

Table 11.3.22: MS Radio Access Capability IE

| | 8 | 7 | 6 | 5 | 4 | 3 | 2 | 1 |
|-------------------|--|---|---|---|---|---|---|---|
| octet 1 | IEI | | | | | | | |
| octet 2,2a | Length Indicator | | | | | | | |
| octet 3-? | Rest of element coded as the value part defined in 3GPP TS 24.008, not including 3GPP TS 24.008 IEI and 3GPP TS 24.008 octet length indicator. | | | | | | | |

11.3.23 OMC Id

The element coding is:

Table 11.3.23: OMC Id IE

| | 8 | 7 | 6 | 5 | 4 | 3 | 2 | 1 |
|-------------------|---|---|---|---|---|---|---|---|
| octet 1 | IEI | | | | | | | |
| octet 2,2a | Length Indicator | | | | | | | |
| octet 3-22 | For the OMC identity, see 3GPP TS 12.20 | | | | | | | |

11.3.24 PDU In Error

The element coding is:

Table 11.3.24: PDU In Error IE

| | 8 | 7 | 6 | 5 | 4 | 3 | 2 | 1 |
|-------------------|---------------------|---|---|---|---|---|---|---|
| octet 1 | IEI | | | | | | | |
| octet 2,2a | Length Indicator | | | | | | | |
| octet 3-? | Erroneous BSSGP PDU | | | | | | | |

11.3.25 PDU Lifetime

This information element describes the PDU Lifetime for a PDU inside the BSS. The element coding is:

Table 11.3.25: PDU Lifetime IE

| | 8 | 7 | 6 | 5 | 4 | 3 | 2 | 1 |
|-------------------|------------------|---|---|---|---|---|---|---|
| octet 1 | IEI | | | | | | | |
| octet 2,2a | Length Indicator | | | | | | | |
| octet 3-4 | Delay Value | | | | | | | |

The Delay Value field is coded as Delay Value of BVC Measurement, see sub-clause 11.3.7.

11.3.26 PDU Type

The first octet of a BSSGP PDU shall contain the PDU type IE. The PDU type IE is one octet long.

Table 11.3.26: PDU Types

| PDU type coding (Hexadecimal) | PDU Types |
|--|---|
| | PDU Types |
| | PDU Types between RL and BSSGP SAPs |
| x00 | DL-UNITDATA |
| x01 | UL-UNITDATA |
| x02 | RA-CAPABILITY |
| x03 | PTM-UNITDATA |
| | PDU Types between GMM SAPs |
| x06 | PAGING PS |
| x07 | PAGING CS |
| x08 | RA-CAPABILITY-UPDATE |
| x09 | RA-CAPABILITY-UPDATE-ACK |
| x0a | RADIO-STATUS |
| x0b | SUSPEND |
| x0c | SUSPEND-ACK |
| x0d | SUSPEND-NACK |
| x0e | RESUME |
| x0f | RESUME-ACK |
| x10 | RESUME-NACK |
| | PDU Types between NM SAPs |
| x20 | BVC-BLOCK |
| x21 | BVC-BLOCK-ACK |
| x22 | BVC-RESET |
| x23 | BVC-RESET-ACK |
| x24 | BVC-UNBLOCK |
| x25 | BVC-UNBLOCK-ACK |
| x26 | FLOW-CONTROL-BVC |
| x27 | FLOW-CONTROL-BVC-ACK |
| x28 | FLOW-CONTROL-MS |
| x29 | FLOW-CONTROL-MS-ACK |
| x2a | FLUSH-LL |
| x2b | FLUSH-LL-ACK |
| x2c | LLC-DISCARDED |
| x2d | FLOW-CONTROL-PFC |
| x2e | FLOW-CONTROL-PFC-ACK |
| x40 | SGSN-INVOKE-TRACE |
| x41 | STATUS |
| 0x50 | DOWNLOAD-BSS-PFC |
| 0x51 | CREATE-BSS-PFC |
| 0x52 | CREATE-BSS-PFC-ACK |
| 0x53 | CREATE-BSS-PFC-NACK |
| 0x54 | MODIFY-BSS-PFC |
| 0x55 | MODIFY-BSS-PFC-ACK |
| 0x56 | DELETE-BSS-PFC |
| 0x57 | DELETE-BSS-PFC-ACK |
| | PDU Types between LCS SAPs |
| 0x60 | PERFORM-LOCATION-REQUEST |
| 0x61 | PERFORM-LOCATION-RESPONSE |
| 0x62 | PERFORM-LOCATION-ABORT |
| 0x63 | POSITION-COMMAND |
| 0x64 | POSITION-RESPONSE |
| | PDU Types between RIM SAPs |
| 0x70 | RAN-INFORMATION |
| 0x71 | RAN-INFORMATION-REQUEST |
| 0x72 | RAN-INFORMATION-ACK |
| 0x73 | RAN-INFORMATION-ERROR |
| RESERVED | all values not explicitly shown are reserved for future use |

11.3.27 Priority

This element indicates the priority of a PDU. The element coding is:

Table 11.3.27: Priority IE

| | 8 | 7 | 6 | 5 | 4 | 3 | 2 | 1 |
|-------------------|--|---|---|---|---|---|---|---|
| octet 1 | IEI | | | | | | | |
| octet 2,2a | Length Indicator | | | | | | | |
| octet 3 | Rest of element coded as the value part of the Priority IE defined in 3GPP TS 48.008, not including 3GPP TS 48.008 IEI and 3GPP TS 48.008 length indicator | | | | | | | |

11.3.28 QoS Profile

This information element describes the QoS Profile associated with a PDU. The element coding is:

Table 11.3.28.a: QoS Profile IE

| | 8 | 7 | 6 | 5 | 4 | 3 | 2 | 1 |
|-------------------|---|-----|---|---|------------|---|---|---|
| octet 1 | IEI | | | | | | | |
| octet 2,2a | Length Indicator | | | | | | | |
| octet 3-4 | Peak bit rate provided by the network, coded as the Bucket Leak Rate "R value" part, see sub-clause 11.3.4 (note) | | | | | | | |
| octet 5 | SPARE | C/R | T | A | Precedence | | | |
| NOTE: | The bit rate 0 (zero) shall mean "best effort" in this IE. | | | | | | | |

"Precedence" is coded as shown below (complying with 3GPP TS 23.060).

Table 11.3.28.b: Precedence coding

| coding | semantic | |
|--------|-----------------|------------------------|
| | DL-UNITDATA | UL-UNITDATA |
| 000 | High priority | Radio priority 1 |
| 001 | Normal priority | Radio priority 2 |
| 010 | Low priority | Radio priority 3 |
| 011 | Reserved | Radio priority 4 |
| 100 | Reserved | Radio Priority Unknown |

All values not allocated are reserved. All reserved values shall be interpreted as value 010.

"A-bit" is coded as shown below.

Table 11.3.28.c: "A bit" coding

| coding | semantic |
|--------|---|
| 0 | Radio interface uses RLC/MAC ARQ functionality |
| 1 | Radio interface uses RLC/MAC-UNITDATA functionality |

"T-bit" is coded as shown below.

Table 11.3.28.d: "T bit" coding

| coding | semantic |
|--------|---|
| 0 | The SDU contains signalling (e.g. related to GMM) |
| 1 | The SDU contains data |

"C/R-bit" is coded as shown below.

Table 11.3.28.e: "C/R bit" coding

| coding | semantic |
|--------|--|
| 0 | The SDU contains a LLC ACK or SACK command/response frame type |
| 1 | The SDU does not contain a LLC ACK or SACK command/response frame type |

11.3.29 Radio Cause

This information element indicates the reason for an exception condition on the radio interface. The element coding is:

Table 11.3.29.a: Radio Cause IE

| | 8 | 7 | 6 | 5 | 4 | 3 | 2 | 1 |
|-------------------|-------------------|---|---|---|---|---|---|---|
| octet 1 | IEI | | | | | | | |
| octet 2,2a | Length Indicator | | | | | | | |
| octet 3 | Radio Cause value | | | | | | | |

Table 11.3.29.b: Radio Cause value

| radio cause value Hexadecimal | semantics of coding |
|----------------------------------|--|
| x00 | Radio contact lost with the MS |
| x01 | Radio link quality insufficient to continue communication |
| x02 | Cell-reselection ordered |
| | All values not explicitly listed are reserved. If received, they shall be handled as "radio contact lost with the MS". |

11.3.30 RA-Cap-UPD-Cause

The RA-Cap-UPD-Cause indicates the success of the RA-CAPABILITY-UPDATE procedure or the reason of the failure. The element coding is:

Table 11.3.30.a: RA-Cap-UPD-Cause IE

| | 8 | 7 | 6 | 5 | 4 | 3 | 2 | 1 |
|-------------------|------------------------|---|---|---|---|---|---|---|
| octet 1 | IEI | | | | | | | |
| octet 2,2a | Length Indicator | | | | | | | |
| octet 3 | RA-Cap-UPD Cause value | | | | | | | |

Table 11.3.30.b: RA-Cap-UPD Cause value

| RA-Cap-UPD cause value Hexadecimal | semantics of coding |
|---------------------------------------|--|
| x00 | OK, RA capability IE present |
| x01 | TLLI unknown in SGSN |
| x02 | No RA Capabilities or IMSI available for this MS |
| | All values not explicitly listed are reserved. If received, they shall be handled as "TLLI unknown in SGSN". |

11.3.31 Routeing Area

This element uniquely identifies one routeing area. The element coding is:

Table 11.3.31: Routeing Area IE

| | 8 | 7 | 6 | 5 | 4 | 3 | 2 | 1 |
|-------------------|---|---|---|---|---|---|---|---|
| octet 1 | IEI | | | | | | | |
| octet 2,2a | Length Indicator | | | | | | | |
| octets 3-8 | Octets 3 to 8 contain the value part (starting with octet 2) of the Routing Area Identification IE defined in 3GPP TS 24.008 [11], not including 3GPP TS 24.008 IEI | | | | | | | |

The coding of octet 2 is a binary number indicating the Length of the remaining element.

11.3.32 R_default_MS

This information element indicates the default bucket leak rate (R) to be applied to a flow control bucket for an MS. The element coding is:

Table 11.3.32: R_default_MS IE

| | 8 | 7 | 6 | 5 | 4 | 3 | 2 | 1 |
|-------------------|--------------------|---|---|---|---|---|---|---|
| octet 1 | IEI | | | | | | | |
| octet 2,2a | Length Indicator | | | | | | | |
| octet 3-4 | R_default_MS value | | | | | | | |

The R_default_MS field is coded as The "R Value" of Bucket Leak Rate, see sub-clause 11.3.4.

11.3.33 Suspend Reference Number

The Suspend Reference Number information element contains an un-formatted reference number for each suspend/resume transaction. The element coding is:

Table 11.3.33: Suspend Reference Number IE

| | 8 | 7 | 6 | 5 | 4 | 3 | 2 | 1 |
|-------------------|--------------------------|---|---|---|---|---|---|---|
| octet 1 | IEI | | | | | | | |
| octet 2,2a | Length Indicator | | | | | | | |
| octet 3 | Suspend Reference Number | | | | | | | |

The Suspend Reference Number is an un-formatted 8 bit field.

11.3.34 Tag

This information element is used to correlate request and response PDUs. The element coding is:

Table 11.3.34: Tag IE

| | 8 | 7 | 6 | 5 | 4 | 3 | 2 | 1 |
|-------------------|--------------------|---|---|---|---|---|---|---|
| octet 1 | IEI | | | | | | | |
| octet 2,2a | Length Indicator | | | | | | | |
| octet 3 | Unstructured value | | | | | | | |

11.3.35 Temporary logical link Identity (TLLI)

The element coding is:

Table 11.3.35: TLLI IE

| | 8 | 7 | 6 | 5 | 4 | 3 | 2 | 1 |
|-------------------|--|---|---|---|---|---|---|---|
| octet 1 | IEI | | | | | | | |
| octet 2,2a | Length Indicator | | | | | | | |
| octet 3-6 | Rest of element coded as the value part of the TLLI information element in 3GPP TS 44.018, not including 3GPP TS 44.018 IEI. | | | | | | | |

11.3.36 Temporary Mobile Subscriber Identity (TMSI)

The element coding is:

Table 11.3.36: TMSI IE

| | 8 | 7 | 6 | 5 | 4 | 3 | 2 | 1 |
|-------------------|---|---|---|---|---|---|---|---|
| octet 1 | IEI | | | | | | | |
| octet 2,2a | Length Indicator | | | | | | | |
| octet 3-6 | Rest of element coded as the value part of the TMSI/P-TMSI information element in 3GPP TS 24.008, not including 3GPP TS 24.008 IEI. | | | | | | | |

11.3.37 Trace Reference

This element provides a trace reference number allocated by the triggering entity. The element coding is:

Table 11.3.37: Trace Reference IE

| | 8 | 7 | 6 | 5 | 4 | 3 | 2 | 1 |
|-------------------|------------------|---|---|---|---|---|---|---|
| octet 1 | IEI | | | | | | | |
| octet 2,2a | Length Indicator | | | | | | | |
| octet 3-4 | Trace Reference | | | | | | | |

11.3.38 Trace Type

This element provides the type of trace information to be recorded. The element coding is:

Table 11.3.38: Trace Type IE

| | 8 | 7 | 6 | 5 | 4 | 3 | 2 | 1 |
|-------------------|---|---|---|---|---|---|---|---|
| octet 1 | IEI | | | | | | | |
| octet 2,2a | Length Indicator | | | | | | | |
| octet 3 | This is coded as specified in Technical Specification 3GPP TS 32.008. | | | | | | | |

11.3.39 Transaction Id

This element indicates a particular transaction within a trace. The element coding is:

Table 11.3.39: Transaction Id IE

| | 8 | 7 | 6 | 5 | 4 | 3 | 2 | 1 |
|------------|------------------|---|---|---|---|---|---|---|
| octet 1 | IEI | | | | | | | |
| octet 2,2a | Length Indicator | | | | | | | |
| octet 3-4 | Transaction Id | | | | | | | |

11.3.40 Trigger Id

This element provides the identity of the entity which initiated the trace. The element coding is:

Table 11.3.40: Trigger Id IE

| | 8 | 7 | 6 | 5 | 4 | 3 | 2 | 1 |
|------------|--|---|---|---|---|---|---|---|
| octet 1 | IEI | | | | | | | |
| octet 2,2a | Length Indicator | | | | | | | |
| octet 3-22 | Entity Identity (typically an OMC identity) | | | | | | | |

11.3.41 Number of octets affected

This information element indicates, for an MS, the number of octets transferred or deleted by BSS. The element coding is:

Table 11.3.41: Number of octets affected IE

| | 8 | 7 | 6 | 5 | 4 | 3 | 2 | 1 |
|------------|---|---|---|---|---|---|---|---|
| octet 1 | IEI | | | | | | | |
| octet 2,2a | Length Indicator | | | | | | | |
| octet 3-5 | number of octets transferred or deleted | | | | | | | |

The number of octets transferred or deleted by the BSS may be higher than the maximum Bmax value (6 553 500). SGSN shall handle any value higher than 6 553 500 as the value 6 553 500.

11.3.42 Packet Flow Identifier (PFI)

This information element indicates the Packet Flow Identifier for a BSS Packet Flow Context. The element coding is:

Table 11.3.42: Packet Flow Identifier (PFI) IE

| | 8 | 7 | 6 | 5 | 4 | 3 | 2 | 1 |
|-------------|---|---|---|---|---|---|---|---|
| octet 1 | IEI | | | | | | | |
| octet 2, 2a | Length Indicator | | | | | | | |
| octet 3 | Rest of element coded as the value part of the Packet Flow Identifier information element in 3GPP TS 24.008, not including 3GPP TS 24.008 IEI | | | | | | | |

The BSS shall not negotiate BSS PFCs for the following pre-defined PFI values: Best Effort, Signaling, SMS, and LCS.

PFI's have local significance to a mobile station. A BSS Packet Flow Context shall be uniquely identified by the PFI along with the IMSI or TLLI within a routing area.

11.3.42a PFC transfer result

The "PFC transfer result" information element indicates whether the BSS was able to keep the QoS characteristics of the PFCs associated to the MS identified by the TLLI in the new cell. The element coding is:

Table 11.3.42a.a: PFC transfer result IE

| | 8 | 7 | 6 | 5 | 4 | 3 | 2 | 1 |
|-------------------|--------------------------------|---|---|---|---|---|---|---|
| octet 1 | IEI | | | | | | | |
| octet 2,2a | Length Indicator | | | | | | | |
| octet 3 | PFC transfer result Value part | | | | | | | |

Table 11.3.42a.b: PFC transfer result Value part coding

| PFC transfer result Value part Hexadecimal | semantics of coding |
|--|--|
| x00 | OK, the QoS characteristics of the BSS context negotiated in the old cell can be kept |
| x01 | NOK, the QoS characteristics of the BSS context negotiated in the old cell cannot be accepted in the new cell |
| Other values | All values not explicitly listed are reserved. If received, they shall be handled as " NOK, the QoS characteristics of the BSS context negotiated in the old cell cannot be accepted in the new cell". |

11.3.43 Aggregate BSS QoS Profile

This information element indicates the Aggregate BSS QoS Profile (ABQP) for a BSS Packet Flow Context. The ABQP is considered to be a single parameter with multiple data transfer attributes as defined in 3GPP TS 23.107.

The element coding is:

Table 11.3.43: Aggregate BSS QoS Profile IE

| | 8 | 7 | 6 | 5 | 4 | 3 | 2 | 1 |
|-------------------|---|---|---|---|---|---|---|---|
| octet 1 | IEI | | | | | | | |
| octet 2,2a | Length Indicator | | | | | | | |
| octet 3-? | Rest of element coded as the value part of the QoS information element in 3GPP TS 24.008, not including 3GPP TS 24.008 IEI and length indicator | | | | | | | |

11.3.44 GPRS Timer

The purpose of the *GPRS timer* information element is to specify GPRS specific timer values, e.g. the Packet Flow timer.

Table 11.3.44: GPRS Timer IE

| | 8 | 7 | 6 | 5 | 4 | 3 | 2 | 1 |
|-------------------|------------------|---|---|-------------|---|---|---|---|
| octet 1 | GPRS Timer IEI | | | | | | | |
| octet 2,2a | Length Indicator | | | | | | | |
| octet 3 | Unit Value | | | Timer value | | | | |

Timer value: Bits 5 to 1 represent the binary coded timer value.

Unit value: Bits 6 to 8 defines the timer value unit for the GPRS timer as follows:

Bits

8 7 6

0 0 0

value is incremented in multiples of 2 s

0 0 1

value is incremented in multiples of 1 minute

0 1 0

value is incremented in multiples of decihours

1 1 1

value indicates that the timer does not expire.

Other values shall be interpreted as multiples of 1 minute in this version of the protocol.

11.3.45 Feature Bitmap

The Feature bitmap information element indicates the optional features supported by the underlying NSE. The element coding is:

Table 11.3.45.a: Feature Bitmap IE

| | | | | | | | | |
|-------------------|------------------|----------|----------|----------|----------|----------|----------|----------|
| | 8 | 7 | 6 | 5 | 4 | 3 | 2 | 1 |
| octet 1 | IEI | | | | | | | |
| octet 2,2a | Length Indicator | | | | | | | |
| octet 3 | Spare | Spare | PFC-FC | RIM | LCS | INR | CBL | PFC |

Table 11.3.45.b: "PFC bit" coding

| coding | semantic |
|---------------|--|
| 0 | Packet Flow Context Procedures not supported |
| 1 | Packet Flow Context Procedures supported |

Table 11.3.45.c: "CBL bit" coding

| coding | semantic |
|---------------|---|
| 0 | Current Bucket Level Procedures not supported |
| 1 | Current Bucket Level Procedures supported |

Table 11.3.45.d: "INR bit" coding

| coding | Semantic |
|---------------|------------------------------------|
| 0 | Inter-NSE re-routing not supported |
| 1 | Inter-NSE re-routing supported |

Table 11.3.45.e: "LCS bit" coding

| coding | semantic |
|---------------|------------------------------|
| 0 | LCS Procedures not supported |
| 1 | LCS Procedures supported |

Table 11.3.45.f: "RIM bit" coding

| coding | Semantic |
|---------------|---|
| 0 | RAN Information Management (RIM) procedures not supported |
| 1 | RAN Information Management (RIM) procedures supported |

Table 11.3.45.g: "PFC-FC" coding

| coding | Semantic |
|--------|---|
| 0 | PFC Flow Control Procedures not supported |
| 1 | PFC Flow Control Procedures supported |

11.3.46 Bucket Full Ratio

This information element is used to convey the current bucket counter. It is binary encoded as follows: $B_{\text{current}} \times (100 / B_{\text{max}})$. The element coding is:

Table 11.3.46: Bucket Full Ratio IE

| | 8 | 7 | 6 | 5 | 4 | 3 | 2 | 1 |
|------------|---|---|---|---|---|---|---|---|
| octet 1 | IEI | | | | | | | |
| octet 2,2a | Length Indicator | | | | | | | |
| octet 3 | Ratio of the bucket that is filled up with data | | | | | | | |

The field ranges from zero (00000000) to two hundred and fifty five (11111111). A value of zero means that the bucket is empty. A value of hundred means that the bucket is exactly full, while a value of two hundred and fifty five means that the bucket is at least 2.55 times B_{max} .

11.3.47 Service UTRAN CCO

The Service UTRAN CCO (Cell Change Order) information element indicates information for Network initiated Cell Change Order to UTRAN, relevant if the procedure is used:

Table 11.3.47.a: Service UTRAN CCO IE

| | 8 | 7 | 6 | 5 | 4 | 3 | 2 | 1 |
|------------|------------------|---|---|---|---|------------------------------|---|---|
| octet 1 | IEI | | | | | | | |
| octet 2,2a | Length Indicator | | | | | | | |
| octet 3 | Spare | | | | | Service UTRAN CCO Value part | | |

Table 11.3.47.b: UTRAN CCO Value part coding

| coding bits | Semantic |
|--------------|--|
| 321 | |
| 000 | Network initiated cell change order procedure to UTRAN should be performed |
| 001 | Network initiated cell change order procedure to UTRAN should not be performed |
| 010 | Network initiated cell change order procedure to UTRAN shall not be performed |
| Other values | No information available |

11.3.48 NSEI (Network Service Entity Identifier)

The NSEI unambiguously identifies a NSE. The element coding is:

Table 11.3.48: NSEI IE

| | 8 | 7 | 6 | 5 | 4 | 3 | 2 | 1 |
|------------|---------------------------------|---|---|---|---|---|---|---|
| octet 1 | IEI | | | | | | | |
| octet 2,2a | Length Indicator | | | | | | | |
| octet 3 | most significant octet of NSEI | | | | | | | |
| octet 4 | least significant octet of NSEI | | | | | | | |

11.3.49 RRLP APDU

This information element conveys an embedded message associated with a higher level protocol. The element coding is:

Table 11.3.49: RRLP APDU IE

| | 8 | 7 | 6 | 5 | 4 | 3 | 2 | 1 |
|-------------------|--|---|---|---|---|---|---|---|
| octet 1 | IEI | | | | | | | |
| octet 2,2a | Length Indicator | | | | | | | |
| octet 3-? | The rest of the information element contains an embedded RRLP message whose content and encoding are defined according to the 3GPP TS 44.031. The RRLP protocol is not octet aligned. Therefore, the unused bits in the last octet are padded with zeroes. | | | | | | | |

11.3.50 LCS QoS

This information element provides the LCS QoS. The element coding is:

Table 11.3.50: LCS QOS IE

| | 8 | 7 | 6 | 5 | 4 | 3 | 2 | 1 |
|-------------------|---|---|---|---|---|---|---|---|
| octet 1 | IEI | | | | | | | |
| octet 2,2a | Length Indicator | | | | | | | |
| octet 3-n | Rest of element coded as the value part defined in 3GPP TS 48.008, not including 3GPP TS 48.008 IEI and 3GPP TS 48.008 octet length indicator | | | | | | | |

11.3.51 LCS Client Type

This information element provides the LCS Client Type. The element coding is:

Table 11.3.51: LCS Client Type IE

| | 8 | 7 | 6 | 5 | 4 | 3 | 2 | 1 |
|-------------------|---|---|---|---|---|---|---|---|
| octet 1 | IEI | | | | | | | |
| octet 2,2a | Length Indicator | | | | | | | |
| octet 3-n | Rest of element coded as the value part defined in 3GPP TS 49.031, not including 3GPP TS 49.031 IEI and 3GPP TS 49.031 octet length indicator | | | | | | | |

11.3.52 Requested GPS Assistance Data

This information element provides the information on which GPS Assistance Data has been requested. The element coding is:

Table 11.3.52: Requested GPS Assistance Data IE

| | 8 | 7 | 6 | 5 | 4 | 3 | 2 | 1 |
|-------------------|---|---|---|---|---|---|---|---|
| octet 1 | IEI | | | | | | | |
| octet 2,2a | Length Indicator | | | | | | | |
| octet 3-n | Rest of element coded as the value part defined in 3GPP TS 49.031, not including 3GPP TS 49.031 IEI and 3GPP TS 49.031 octet length indicator | | | | | | | |

11.3.53 Location Type

This information element provides the Location Type. The element coding is:

Table 11.3.53: Location Type IE

| | 8 | 7 | 6 | 5 | 4 | 3 | 2 | 1 |
|-------------------|---|---|---|---|---|---|---|---|
| octet 1 | IEI | | | | | | | |
| octet 2,2a | Length Indicator | | | | | | | |
| octet 3-n | Rest of element coded as the value part defined in 3GPP TS 49.031, not including 3GPP TS 49.031 IEI and 3GPP TS 49.031 octet length indicator | | | | | | | |

11.3.54 Location Estimate

This information element provides the Location Estimate. The element coding is:

Table 11.3.54: Location Estimate IE

| | 8 | 7 | 6 | 5 | 4 | 3 | 2 | 1 |
|-------------------|---|---|---|---|---|---|---|---|
| octet 1 | IEI | | | | | | | |
| octet 2,2a | Length Indicator | | | | | | | |
| octet 3-n | Rest of element coded as the value part defined in 3GPP TS 48.008, not including 3GPP TS 48.008 IEI and 3GPP TS 48.008 octet length indicator | | | | | | | |

11.3.55 Positioning Data

This information element provides Positioning Data. The element coding is:

Table 11.3.55: Positioning Data IE

| | 8 | 7 | 6 | 5 | 4 | 3 | 2 | 1 |
|-------------------|---|---|---|---|---|---|---|---|
| octet 1 | IEI | | | | | | | |
| octet 2,2a | Length Indicator | | | | | | | |
| octet 3-n | Rest of element coded as the value part defined in 3GPP TS 49.031, not including 3GPP TS 49.031 IEI and 3GPP TS 49.031 octet length indicator | | | | | | | |

11.3.56 Deciphering Keys

This information element provides the Deciphering Keys. The element coding is:

Table 11.3.56: Deciphering Keys IE

| | 8 | 7 | 6 | 5 | 4 | 3 | 2 | 1 |
|-------------------|---|---|---|---|---|---|---|---|
| octet 1 | IEI | | | | | | | |
| octet 2,2a | Length Indicator | | | | | | | |
| octet 3-n | Rest of element coded as the value part defined in 3GPP TS 49.031, not including 3GPP TS 49.031 IEI and 3GPP TS 49.031 octet length indicator | | | | | | | |

11.3.57 LCS Priority

This information element provides the data/information on LCS Priority. The element coding is:

Table 11.3.57: LCS Priority IE

| | 8 | 7 | 6 | 5 | 4 | 3 | 2 | 1 |
|-------------------|---|---|---|---|---|---|---|---|
| octet 1 | IEI | | | | | | | |
| octet 2,2a | Length Indicator | | | | | | | |
| octet 3-n | Rest of element coded as the value part defined in 3GPP TS 49.031, not including 3GPP TS 49.031 IEI and 3GPP TS 49.031 octet length indicator | | | | | | | |

11.3.58 LCS Cause

This information element provides the data/information on LCS Cause. The element coding is:

Table 11.3.58: LCS Cause IE

| | 8 | 7 | 6 | 5 | 4 | 3 | 2 | 1 |
|-------------------|---|---|---|---|---|---|---|---|
| octet 1 | IEI | | | | | | | |
| octet 2,2a | Length Indicator | | | | | | | |
| octet 3-n | Rest of element coded as the value part defined in 3GPP TS 49.031, not including 3GPP TS 49.031 IEI and 3GPP TS 49.031 octet length indicator | | | | | | | |

11.3.59 LCS Capability

This information element provides the data/information on LCS Capability. The element coding is:

Table 11.3.59.a: LCS Capability IE

| | 8 | 7 | 6 | 5 | 4 | 3 | 2 | 1 |
|-------------------|---|---|---|---|---|---|---|---|
| octet 1 | IEI | | | | | | | |
| octet 2,2a | Length Indicator | | | | | | | |
| octet 3 | Rest of element coded as the value part of the <i>PS LCS Capability</i> IE defined in 3GPP TS 24.008, not including 3GPP TS 24.008 IEI and length indicator | | | | | | | |

11.3.60 RRLP Flags

This information element provides control information for the RRLP APDU. The element coding is:

Table 11.3.60: RRLP Flags IE

| | 8 | 7 | 6 | 5 | 4 | 3 | 2 | 1 |
|-------------------|------------------|---|---|---|---|---|---|--------|
| octet 1 | IEI | | | | | | | |
| octet 2,2a | Length Indicator | | | | | | | |
| octet 3 | Spare | | | | | | | Flag 1 |

The fields are coded as follows:

Flag 1 (Octet 3, bit 1):

- 0 Position Command (BSS to SGSN) or final response (SGSN to BSS);
- 1 Not a Positioning Command or final response.

Spare These bits shall be ignored by the receiver and set to zero by the sender.

11.3.61 RIM Application Identity

This information element specifies the addressed application within the target BSS node. The element coding is:

Table 11.3.61.a: RIM Application Identity IE

| | 8 | 7 | 6 | 5 | 4 | 3 | 2 | 1 |
|--------------------|--------------------------|---|---|---|---|---|---|---|
| Octet 1 | IEI | | | | | | | |
| Octet 2, 2a | Length Indicator | | | | | | | |
| Octet 3 | RIM Application Identity | | | | | | | |

"RIM Application Identity " is coded as shown below.

Table 11.3.61.b: RIM Application Identity coding

| Coding | Semantic |
|-----------------------|-------------------------------------|
| 0000 0000 | Reserved |
| 0000 0001 | Network Assisted Cell Change (NACC) |
| 0000 0010 – 1111 1111 | Reserved |

All values not allocated are reserved. A PDU containing a reserved value shall be ignored.

11.3.62 RIM Sequence Number

This information element defines the sequence number allocated to the PDU by the source node. The element coding is:

Table 11.3.62.a: RIM Sequence Number IE

| | 8 | 7 | 6 | 5 | 4 | 3 | 2 | 1 |
|--------------------|---------------------------|---|---|---|---|---|---|---|
| Octet 1 | IEI | | | | | | | |
| Octet 2, 2a | Length Indicator | | | | | | | |
| Octet 3 | RIM Sequence Number (MSB) | | | | | | | |
| Octet 4 | RIM Sequence Number (LSB) | | | | | | | |

RIM Sequence Number: Defines the sequence number for the procedure and is incremented by one for each RAN-INFORMATION/ RAN-INFORMATION-REQUEST PDU sent. If acknowledgement is requested in a RAN-INFORMATION-PDU, the receiving side shall respond with a RAN-INFORMATION-ACK PDU containing the same sequence number as received in the RAN-INFORMATION PDU.

11.3.63 RAN-INFORMATION-REQUEST Container Unit

11.3.63.0 General

The element coding of the Container Unit value part, which belongs to the RAN-INFORMATION-REQUEST PDU, is dependent on the "RIM Application Identity" IE within the PDU according to the following sub-clauses.

11.3.63.1 Container Unit disposition when the RIM Application Identity IE= NACC

The element coding of the value part of the Container Unit IE within the RAN-INFORMATION-REQUEST PDU for the NACC application shall have the following disposition.

Table 11.3.63.1.a: RAN-INFORMATION-REQUEST Container Unit coding for NACC

| | 8 | 7 | 6 | 5 | 4 | 3 | 2 | 1 |
|--------------------|---|---|---|---|---|---|---|---|
| Octet 1 | IEI | | | | | | | |
| Octet 2, 2a | Length Indicator | | | | | | | |
| Octets 3-8 | RAI Source Cell Octets 3 to 8 contain the value part (starting with octet 2) of the <i>Routing Area Identification IE</i> defined in 3GPP TS 24.008 [11], not including 3GPP TS 24.008 IEI | | | | | | | |
| Octets 9-10 | CI Source Cell Octets 9 and 10 contain the value part (starting with octet 2) of the <i>Cell Identity IE</i> defined in 3GPP TS 24.008 [11], not including 3GPP TS 24.008 IEI | | | | | | | |
| Octet 11 | Number of "RAI + CI for Destination Cell" | | | | | | | |
| Octet 12-19 | RAI+ CI for Destination Cell (1) | | | | | | | |
| Octet 20-27 | RAI+ CI for Destination Cell (2) | | | | | | | |
| " | " | | | | | | | |
| Octet m – n | RAI + CI for Destination Cell ("Number of RAI+CI for Destination cell n") | | | | | | | |

Number of "RAI + CI for Destination Cell": Number of Cell Identities following this parameter.

Table 11.3.63.1.b: Number of RAI + CI for Destination Cell coding

| Coding | Semantic |
|---------------|--|
| 0000 0000 | 0 "RAI+CI for Destination Cell" follows |
| 0000 0001 | 1 "RAI+CI for Destination Cell" follow |
| ' | " |
| 1111 1111 | 255 "RAI+CI for Destination Cell" follow |

NOTE: If Number of "RAI + CI for Destination Cell" = 0, the destination BSS has to respond with all system information for all cells which has a neighbour cell relation to the Source cell.

"RAI + CI for Destination Cell": The "RAI + CI for Destination Cell" parameters are encoded as the RAI + CI for the source cell in octet 1 – 8.

11.3.64 RAN-INFORMATION Container Unit

11.3.64.0 General

The element coding of the Container Unit value part, which belongs to the RAN-INFORMATION PDU, is dependent on the "RIM Application Identity" IE within the PDU according to the following sub-clauses.

11.3.64.1 Container Unit disposition when the RIM Application Identity IE= NACC

The element coding of the value part of the Container Unit IE within the RAN-INFORMATION PDU for the NACC application shall have the following disposition.

Table 11.3.64.1.a: RAN-INFORMATION Container Unit coding for NACC

| | 8 | 7 | 6 | 5 | 4 | 3 | 2 | 1 |
|--------------------|---|---|---|---|---|---|---|------|
| Octet 1 | IEI | | | | | | | |
| Octet 2, 2a | Length Indicator | | | | | | | |
| Octets 3-8 | RAI Source Cell Octets 3 to 8 contain the value part (starting with octet 2) of the <i>Routing Area Identification IE</i> defined in 3GPP TS 24.008 [11], not including 3GPP TS 24.008 IEI | | | | | | | |
| Octets 9-10 | CI Source Cell Octets 9 and 10 contain the value part (starting with octet 2) of the <i>Cell Identity IE</i> defined in 3GPP TS 24.008 [11], not including 3GPP TS 24.008 IEI | | | | | | | |
| Octet 11 | Number of "RAI + CI for Destination Cell" | | | | | | | |
| Octet 12-19 | RAI+ CI for Destination Cell (1) | | | | | | | |
| Octet 20-27 | RAI+ CI for Destination Cell (2) | | | | | | | |
| " | " | | | | | | | |
| Octet m – n | RAI + CI for Destination Cell ("Number of RAI+CI for Destination cell + 1") | | | | | | | |
| Octet?- | Number of SI/PSI | | | | | | | Type |
| Octet ?-? | SI/PSI (1) | | | | | | | |
| Octet ?-? | SI/PSI (2) | | | | | | | |
| " | " | | | | | | | |
| Octet ?-? | SI/PSI (Number of SI/PSI+1) | | | | | | | |

Number of "RAI + CI for Destination Cell": Number of Cell Identities following this parameter. For encoding see table 11.3.63.1.a. The encoded value 0000 0000 shall not be used when the Container Unit is part of the RAN-INFORMATION PDU.

Type: This parameter indicates the type of SI/PSI messages sent from the source cell to the destination cells. The "Type" parameter is coded as shown below:

Table 11.3.64.1.b: Type coding

| Coding | Semantic |
|--------|---|
| 0 | SI messages as specified for BCCH (3GPP TS 44.018) follow |
| 1 | PSI messages as specified for PBCCH (3GPP TS 44.060) follow |

"Number of "SI/PSI": Number of SI/PSI from the source cell is following after this parameter. For system information messages with multiple instances, each instance is encountered as one SI/PSI message. The "Number of "SI/PSI" parameter is coded as shown below:

Table 11.3.64.1.c: Number of SI/PSI coding

| Coding | Semantic |
|--|-----------------------------|
| 000 0000 | 0 "SI/PSI" follows (Note 1) |
| 000 0001 | 1 "SI/PSI" follow |
| | " |
| 111 1111 | 127 "SI/PSI" follow |
| NOTE 1: In case 'END' is set in the RAN Information Indications, no system information data may be included by the source BSS. | |

SI/PSI: This parameter contains a list of either SI- or PSI messages valid for the source cell Number of SI/PSIs is specified in the "Number of SI/PSI" parameter specified above.

If the "Type" field indicates that "SI messages as specified for BCCH (3GPP TS 44.018) follow" then SI/PSI contains one SI instance as encoded for BCCH as specified in [25]. Each SI message contains L2 Pseudo Length + RR Management Protocol Discriminator + Skip Indicator + Message Type + message payload and occupies 23 octets.

If the "Type" field indicates that "PSI messages as specified for PBCCH (3GPP TS 44.060) follow" then SI/PSI contains one PSI instance as encoded for PBCCH as specified in [22]. Each PSI Message contains Message Type + Page Mode + Message payload and occupies 22 octets.

11.3.65 RAN Information Indications

This information element is used for various indications sent from a source to a destination application.

The element coding is:

Table 11.3.65.a: RAN Information Indications IE

| | 8 | 7 | 6 | 5 | 4 | 3 | 2 | 1 |
|--------------------|------------------|---|---|---|---|---|-----|-----|
| Octet 1 | IEI | | | | | | | |
| Octet 2, 2a | Length Indicator | | | | | | | |
| Octet 3 | Reserved | | | | | | END | ACK |

ACK: When the *RAN Information Indications IE* is included in the RAN-INFORMATION PDU, this parameter indicates if the source side is requesting a RAN-INFORMATION-ACK PDU as response to a RAN-INFORMATION PDU. The parameter is coded as shown below.

Table 11.3.65.b: ACK coding

| Coding | Semantic |
|--------|------------------|
| 0 | No ACK requested |
| 1 | ACK requested |

END: When the *RAN Information Indications IE* is included in the RAN-INFORMATION PDU, this parameter indicates that the source side will send no more reports with respect to those requests addressed in the Container Units of the RAN INFORMATION PDU (i.e. the source side has stopped related multiple reports).

Table 11.3.65.c: END coding

| Coding | Semantic |
|--------|--------------------|
| 0 | No 'END' indicated |
| 1 | 'END' indicated |

11.3.66 Number of Container Units

This information element is used to indicate the number of Container Units within the PDU.

The element coding is:

Table 11.3.66.a: Number of Container Units IE

| | 8 | 7 | 6 | 5 | 4 | 3 | 2 | 1 |
|--------------------|---------------------------|---|---|---|---|---|---|---|
| Octet 1 | IEI | | | | | | | |
| Octet 2, 2a | Length Indicator | | | | | | | |
| Octet 3 | Number of Container Units | | | | | | | |

Table 11.3.66.b: Number of Container Units coding

| Coding | Semantic |
|---------------|----------------------------|
| 0000 0000 | 1 Container Unit follows |
| 0000 0001 | 2 Container Units follow |
| ' | " |
| 1111 1111 | 256 Container Units follow |

11.3.67 RAN Information Request Indications

This information element is used for various indications sent from a source to a destination application. The element coding is:

Table 11.3.67.a: RAN Information Request Indications IE

| | 8 | 7 | 6 | 5 | 4 | 3 | 2 | 1 |
|--------------------|------------------|---|---|---|---|---|---|----------|
| Octet 1 | IEI | | | | | | | |
| Octet 2, 2a | Length Indicator | | | | | | | |
| Octet 3 | Reserved | | | | | | | Event MR |

Event MR: When the *RAN Information Request Indications IE* is included in the RAN-INFORMATION-REQUEST PDU, this parameter indicates the request for event-driven multiple reports. The parameter is coded as shown below.

Table 11.3.67.b: Event MR coding

| Coding | Semantic |
|---------------|--|
| 0 | No event-driven multiple reports requested |
| 1 | Event-driven multiple reports requested |

11.3.68 PFC Flow Control parameters

This information element contains the flow control parameters for one or more PFC(s) of a certain MS. The element coding is:

Table 11.3.68: PFC Flow Control parameters IE

| | 8 | 7 | 6 | 5 | 4 | 3 | 2 | 1 |
|------------|------------------|---|---|---|---|---|---|---|
| octet 1 | IEI | | | | | | | |
| octet 2,2a | Length Indicator | | | | | | | |
| octet 3 | Number of PFCs | | | | | | | |
| Octet 4 | PFI (1) | | | | | | | |
| Octet 5-6 | Bmax_PFC (1) | | | | | | | |
| Octet 7-8 | R_PFC (1) | | | | | | | |
| Octet 9 | B_PFC (1) | | | | | | | |
| Octet ? | PFI (2) | | | | | | | |
| Octet ?-? | Bmax_PFC (2) | | | | | | | |
| Octet ?-? | R_PFC (2) | | | | | | | |
| Octet ? | B_PFC (2) | | | | | | | |
| " | " | | | | | | | |
| Octet ? | PFI (n) | | | | | | | |
| Octet ?-? | Bmax_PFC (n) | | | | | | | |
| Octet ?-? | R_PFC (n) | | | | | | | |
| Octet ? | B_PFC (n) | | | | | | | |

Number of PFCs: Number of PFCs for which flow control parameters are provided. For each of those PFCs follows its identifier and the value of the flow control parameters. The "Number of PFCs" parameter is coded as shown below:

Table 11.3.68a: Number of PFCs

| Coding | Semantic |
|-----------|----------|
| 0000 0000 | 1 PFC |
| 0000 0001 | 2 PFCs |
| ... | ... |
| 0000 1011 | 11 PFCs |
| 0000 1100 | Reserved |
| ' | " |
| 1111 1111 | Reserved |

PFI: Packet Flow Identifier. Coded as the value part of the Packet Flow Identifier information element in 3GPP TS 24.008, not including 3GPP TS 24.008 IEI.

Bmax_PFC: Bucket size of the PFC. Coded like the value part of BVC Bucket Size, see sub-clause 11.3.5.

R_PFC: Bucket Leak Rate of the PFC. Coded as the value part of Bucket Leak Rate (R), see sub-clause 11.3.4.

B_PFC: Bucket Full Ratio of the PFC. This field is only present if the Current Bucket Level (CBL) feature is negotiated. Otherwise, the flow control parameters for the next PFC, if any, are provided instead. This field is coded as the value part of the Bucket Full Ratio, see sub-clause 11.3.46.

11.3.69 Global CN-Id

The Global CN-Id consists of a PLMN-Id and a CN-Id, see 3GPP TS 23.003. The value part of the Global CN-Id is coded as defined in 3GPP TS 29.018. The CN-Id is an integer defined by O&M. The element coding is:

Table 11.3.69: Global CN-Id IE

| | 8 | 7 | 6 | 5 | 4 | 3 | 2 | 1 |
|------------|--|---|---|---|---|---|---|---|
| octet 1 | IEI | | | | | | | |
| octet 2,2a | Length Indicator | | | | | | | |
| octet 3-7 | Coded as octets 3 to 7 of the Global CN-Id IE, defined in 3GPP TS 29.018 | | | | | | | |

12 List of system variables

12.1 General Variables

Table 12.1.a: Procedure timers

| Timer mnemonic | Value range | Notes | Relation to other timers |
|----------------|--|--|---|
| T1 | 1 s < T1 < 30 s | Guards the (un)blocking procedures | none |
| T2 | 1 s < T2 < 120 s | Guards the reset procedure | none |
| T3 | 0.1 s < T3 < 10 s | Guards the suspend procedure | none |
| T4 | 0.1 s < T4 < 10 s | Guards the resume procedure | none |
| T5 | 1 s < T5 < 30 s | Guards the RA-CAPABILITY-UPDATE procedure | none |
| T6 | 0.1 s < T6 < 10 s | Guards the DOWNLOAD-BSS-PFC procedure | none |
| T7 | 0.1 s < T7 < 10 s | Guards the CREATE-BSS-PFC procedure | none |
| T8 | 0.1 s < T8 < 10 s | Guards the MODIFY-BSS-PFC procedure | none |
| T9 | Same as T3314 READY timer in 3GPP TS 24.008. Minimum 6 s | This is the Packet Flow Timer (PFT) and holds the maximum time the BSS may store a BSS PFC while no uplink data is transmitted | Cannot exceed the value of the READY timer for this MS unless READY timer is less than 6 s. |

Table 12.1.b: Procedure retry counters

| Retry mnemonic | Retry value | Notes |
|------------------------------|-------------|-------|
| BVC-BLOCK-RETRIES | 3 | none |
| BVC-UNBLOCK-RETRIES | 3 | none |
| BVC-RESET-RETRIES | 3 | none |
| SUSPEND-RETRIES | 3 | none |
| RESUME-RETRIES | 3 | none |
| RA-CAPABILITY-UPDATE-RETRIES | 3 | none |
| DOWNLOAD-BSS-PFC-RETRIES | 3 | none |
| CREATE-BSS-PFC-RETRIES | 3 | none |
| MODIFY-BSS-PFC-RETRIES | 3 | none |

12.2 Flow control variables

Table 12.2: Flow control variables

| Variable mnemonic | Value range | Notes | Relation to other variables |
|-------------------|--------------------|---|-----------------------------|
| Th | 5 s < Th < 6 000 s | Interval after Flow-Control-MS before SGSN may use SGSN generated Bmax and R | none |
| C | 1 s < C < 10 s | Minimum interval between sending of subsequent Flow Control PDUs for a given BVC or MS or PFC | C < Th |
| Tf | 5 s < Tf < 6 000 s | Interval after Flow-Control-PFC before SGSN may use SGSN generated Bmax and R | Tf > C |

Annex A (informative): Change history

| Meeting | Tdoc | CR | REV | SUBJECT | NEW_VERS |
|------------|-----------|-----|-----|--|----------|
| - | - | - | - | Creation of v5.0.0 based upon 4.3.0 | 5.0.0 |
| GP-05 | GP-011427 | 036 | 1 | BVC unblocking and BVC reset procedures interleaving. | 5.0.0 |
| GP-06 | GP-011843 | 046 | | Clarification of Packet Flow Timer (Rel-5) | 5.0.0 |
| GP-06 | GP-011775 | 043 | | SGSN behaviour during rerouting of DL LLC PDUs (Rel-5) | 5.0.0 |
| GP-06 | GP-011642 | 042 | | Inter-NSE rerouting of DL LLC PDUs (Rel-5) | 5.0.0 |
| GP-06 | GP-011959 | 037 | 5 | Introduction of LCS for GPRS to Release 5 (Rel-5) | 5.0.0 |
| GP-06 | - | - | - | Old mess in table numbering has been cleaned up. Sub-clause based table numbering scheme introduced. | 5.0.0 |
| GP-07 | GP-012172 | 055 | | Editorial Corrections | 5.1.0 |
| GP-07 | GP-012047 | 048 | | Correction of Feature Bitmap IE | 5.1.0 |
| GP-07 | GP-012304 | 056 | | LCS Capabilities refer to 24.008 | 5.1.0 |
| GP-07 | GP-012048 | 050 | | Clean-up CR for LCS for GPRS | 5.1.0 |
| GP-07 | GP-012802 | 047 | 3 | Inter NSE Cell Change for LCS for GPRS | 5.1.0 |
| GP-08 | GP-020428 | 057 | 4 | Introduction of RAN Information Management in 48.018 | 5.2.0 |
| GP-09 | GP-020620 | 067 | | Addition of PTP BVCI parameter for LCS PDUs on the Gb Interface | 5.3.0 |
| GP-09 | GP-020719 | 063 | 2 | [External NACC] Re-introduction of event-driven multiple reports and other corrections | 5.3.0 |
| GP-09 | GP-021248 | 066 | 3 | Correction to PFC transfer procedure upon cell change | 5.3.0 |
| GP-10 | GP-021723 | 058 | 3 | Introduction of Global CN-Id when CS paging is done via the PS domain | 5.4.0 |
| GP-10 | GP-021786 | 073 | 1 | Removal of an inconsistency in BVC Reset procedure description | 5.4.0 |
| GP-10 | GP-021836 | 061 | 4 | Introduction of flow control per PFC between the SGSN and BSS | 5.4.0 |
| GP-10 | GP-022054 | 072 | 2 | Removal of an inconsistency in LLC DISCARDED description | 5.4.0 |
| GP-10 | GP-022102 | 070 | 2 | SI/PSI coding in RAN-INFORMATION Container Unit | 5.4.0 |
| GP-11 | GP-022778 | 075 | 2 | Setting of RAI in Suspend and appropriate handling in SGSN | 5.5.0 |
| Dec. 2002 | - | - | - | Purely editorial update | 5.5.1 |
| GP-13 | GP-030097 | 078 | 1 | Correction to PDU Type IE | 5.6.0 |
| April 2003 | - | - | - | Editorial correction of reference in tables 10.2.1 and 10.2.2 | 5.6.1 |
| GP-15 | GP-031181 | 083 | 2 | Introduction of 'End Indication' for RAN Information multiple reports | 5.7.0 |

History

| Document history | | |
|-------------------------|----------------|-------------------------|
| V5.3.0 | May 2002 | Publication |
| V5.4.0 | July 2002 | Publication |
| V5.5.0 | September 2002 | Publication (Withdrawn) |
| V5.5.1 | December 2002 | Publication |
| V5.6.0 | February 2003 | Publication (Withdrawn) |
| V5.6.1 | April 2003 | Publication |
| V5.7.0 | July 2003 | Publication |