

ETSI TS 148 020 V5.1.0 (2002-09)

Technical Specification

**Digital cellular telecommunications system (Phase 2+);
Rate Adaptation on the Base Station System - Mobile Service
Switching Centre (BSS-MSC) Interface
(3GPP TS 48.020 version 5.1.0 Release 5)**



Reference

RTS/TSGN-0348020v510

Keywords

GSM

ETSI

650 Route des Lucioles
F-06921 Sophia Antipolis Cedex - FRANCE

Tel.: +33 4 92 94 42 00 Fax: +33 4 93 65 47 16

Siret N° 348 623 562 00017 - NAF 742 C
Association à but non lucratif enregistrée à la
Sous-Préfecture de Grasse (06) N° 7803/88

Important notice

Individual copies of the present document can be downloaded from:

<http://www.etsi.org>

The present document may be made available in more than one electronic version or in print. In any case of existing or perceived difference in contents between such versions, the reference version is the Portable Document Format (PDF). In case of dispute, the reference shall be the printing on ETSI printers of the PDF version kept on a specific network drive within ETSI Secretariat.

Users of the present document should be aware that the document may be subject to revision or change of status. Information on the current status of this and other ETSI documents is available at

<http://portal.etsi.org/tb/status/status.asp>

If you find errors in the present document, send your comment to:

editor@etsi.fr

Copyright Notification

No part may be reproduced except as authorized by written permission.
The copyright and the foregoing restriction extend to reproduction in all media.

© European Telecommunications Standards Institute 2002.
All rights reserved.

DECT™, **PLUGTESTS™** and **UMTS™** are Trade Marks of ETSI registered for the benefit of its Members.
TIPHON™ and the **TIPHON logo** are Trade Marks currently being registered by ETSI for the benefit of its Members.
3GPP™ is a Trade Mark of ETSI registered for the benefit of its Members and of the 3GPP Organizational Partners.

Intellectual Property Rights

IPRs essential or potentially essential to the present document may have been declared to ETSI. The information pertaining to these essential IPRs, if any, is publicly available for **ETSI members and non-members**, and can be found in ETSI SR 000 314: "*Intellectual Property Rights (IPRs); Essential, or potentially Essential, IPRs notified to ETSI in respect of ETSI standards*", which is available from the ETSI Secretariat. Latest updates are available on the ETSI Web server (<http://webapp.etsi.org/IPR/home.asp>).

Pursuant to the ETSI IPR Policy, no investigation, including IPR searches, has been carried out by ETSI. No guarantee can be given as to the existence of other IPRs not referenced in ETSI SR 000 314 (or the updates on the ETSI Web server) which are, or may be, or may become, essential to the present document.

Foreword

This Technical Specification (TS) has been produced by ETSI 3rd Generation Partnership Project (3GPP).

The present document may refer to technical specifications or reports using their 3GPP identities, UMTS identities or GSM identities. These should be interpreted as being references to the corresponding ETSI deliverables.

The cross reference between GSM, UMTS, 3GPP and ETSI identities can be found under www.etsi.org/key .

Contents

Intellectual Property Rights	2
Foreword.....	2
Foreword.....	5
1 Scope	6
2 References, abbreviations and definitions	6
2.1 References	6
2.2 Abbreviations	7
2.3 Definitions	7
3 General approach.....	7
4 The RA0 Function	7
5 The RA1 Function	7
6 The RA1'' Function	8
6.1 Rate adaptation of 48 kbit/s user rates with DTE/DCE status to 64 kbit/s	8
6.2 Rate adaptation of 56 kbit/s user rate to 64 kbit/s	8
7 Split/Combine and Padding Functions	9
7.1 Data Frame distribution into the channels by the Split/Combine function.....	9
7.2 Substream numbering.....	9
7.3 Initial Substream Synchronisation for Transparent Services.....	9
7.4 Frame Synchronisation and Action on loss of Synchronisation	9
7.5 Network Independent Clocking.....	9
7.6 Padding.....	9
8 The EDGE Multiplexing Function	9
8.1 Transparent services.....	10
8.2 Non-Transparent services.....	10
9 The Functions RA1/RA1' and RA1'/RA1''	10
9.1 Radio Interface rate of 12 kbit/s	11
9.2 Radio Interface rate of 6 kbit/s	11
9.3 Radio Interface rate of 3.6 kbit/s	11
9.4 Synchronisation.....	11
9.5 Idle frames.....	11
10 The Functions RA1'/RAA' and RA1'/RAA''	11
10.1 Radio Interface rate of 14,5 kbit/s	12
10.2 Synchronisation.....	12
10.3 Idle frames.....	12
11 THE RAA' FUNCTION.....	12
11.1 Coding of A-TRAU frame.....	12
11.2 Framing Pattern Substitution in A-TRAU frame.....	13
11.2.1 FPS encoding.....	13
11.3 A-TRAU Synchronisation Pattern.....	15
12 THE RAA" FUNCTION	15
13 The RA2 Function	15
14 The A-interface Multiplexing Function	16
15 Support of non-transparent bearer services	17
15.1 TCH/F9.6 and TCH/F4.8 kbit/s channel codings	17
15.1.1 Alignment	17
15.1.2 Support of Discontinuous Transmission (DTX)	18

15.1.3	Order of Transmission	18
15.2	TCH/F14.4, TCH/F28.8, and TCH/F43.2 channel codings.....	18
15.2.1	Alignment	19
15.2.2	Support of Discontinuous Transmission (DTX)	19
16	Support of transparent bearer services	19
16.1	TCH/F9.6 and TCH/F4.8 channel codings.....	19
16.1.1	User rate adaptation on the A interface, AIUR less than or equal to 38,4 kbit/s	19
16.1.2	User rate Adaptation on the A-interface, AIUR greater than 38,4 kbit/s.....	19
16.1.3	Relation between AIUR and the number of channels	20
16.1.4	Handling of status bits X, SA, SB.....	20
16.1.5	Handling of bits E1 to E7	20
16.2	TCH/F14.4, TCH/F28.8, and TCH/F32.0 channel codings.....	21
16.2.1	User rate adaptation on the A interface, AIUR less than or equal to 56 kbit/s	21
16.2.2	User Rate Adaptation on the A-interface, AIUR greater than 56 kbit/s.....	21
16.2.3	Relation between AIUR and the number of channels	21
16.2.4	Handling of status bits X and SB	21
17	Frame Formats.....	22
Annex A (informative): Frame Pattern Substitution		26
A.1	Special cases.....	26
A.2	False Z sequence detection.....	27
Annex B (informative): Change History		29
History		30

Foreword

This Technical Specification has been produced by the 3rd Generation Partnership Project (3GPP).

The contents of the present document are subject to continuing work within the TSG and may change following formal TSG approval. Should the TSG modify the contents of the present document, it is re-released by the TSG with an identifying change of release date and an increase in version number as follows:

Version x.y.z

where:

- x the first digit:
 - 1 presented to TSG for information;
 - 2 presented to TSG for approval;
 - 3 or greater indicates TSG approved document under change control.
- y the second digit is incremented for all changes of substance, i.e. technical enhancements, corrections, updates, etc.
- z the third digit is incremented when editorial only changes have been incorporated in the document.

1 Scope

The present document defines rate adaptation functions to be used in PLMN Base Station Systems (BSS) transcoders and IWF for adapting radio interface data rates to the 64 kbit/s used at the A-interface in accordance with 3GPP TS 43.010.

The number of Base Station System - Mobile-services Switching Centre (BSS - MSC) traffic channels supporting data rate adaptation may be limited. In this case some channels may not support data rate adaptation. Those that do, shall conform to this specification.

NOTE: This specification should be considered together with 3GPP TS 44.021 to give a complete description of PLMN rate adaptation.

2 References, abbreviations and definitions

2.1 References

The following documents contain provisions which, through reference in this text, constitute provisions of the present document.

- References are either specific (identified by date of publication, edition number, version number, etc.) or non-specific.
- For a specific reference, subsequent revisions do not apply.
- For a non-specific reference, the latest version applies. In the case of a reference to a 3GPP document (including a GSM document), a non-specific reference implicitly refers to the latest version of that document in the same Release as the present document.

- [1] 3GPP TR 21.905: " Vocabulary for 3GPP specifications ".
- [2] 3GPP TS 22.034: "High Speed Circuit Switched Data (HSCSD) - Stage1"
- [3] 3GPP TS 43.010: "GSM Public Land Mobile Network (PLMN) connection types".
- [4] 3GPP TS 23.034: "High Speed Circuit Switched Data (HSCSD) - Stage2".
- [5] 3GPP TS 44.021: "Rate adaption on the Mobile Station - Base Station System (MS - BSS) interface".
- [6] 3GPP TS 24.022: "Radio Link Protocol (RLP) for Circuit Switched Bearer and Teleservices".
- [7] 3GPP TS 45.003: "Channel coding".
- [8] 3GPP TS 27.001: "General on Terminal Adaptation Functions (TAF) for Mobile Stations (MS)".
- [9] 3GPP TS 48.008: "Mobile Switching Centre - Base Station System (MSC - BSS) interface; Layer 3 specification".
- [10] 3GPP TS 29.007: "General requirements on interworking between the Public Land Mobile Network (PLMN) and the Integrated Services Digital Network (ISDN) or Public Switched Telephone Network (PSTN)".
- [11] ITU-T Recommendation V.110: "Support of data terminal equipment's (DTEs) with V-Series interfaces by an integrated services digital network".
- [12] ITU-T Recommendation I.460:-Multiplexing, rate adaption and support of existing interfaces.
- [13] 3GPP TS 48.060: "In-band control of remote transcoders and rate adaptors for full rate traffic channels"

2.2 Abbreviations

For the purposes of the present document, the following abbreviations apply:

FPS	Frame Pattern Substitution
FSI	Frame Start Identifier
ZSP	Zero Sequence Position

2.3 Definitions

For the purposes of the present document, the following terms and definitions apply.

Substream: Stream of data with explicit or implicit numbering between splitter and combine functions.

Channel: A physical full rate channel on the radio interface (TCH/F) independent of the contents.

A interface circuit: The 8 bits that constitute one 64 kbps circuit on the A interface.

A interface subcircuit: One specific bit position or one specific pair of bit positions within the A interface circuit.

EDGE channel: A general term referring to channels based on 8PSK modulation; i.e. TCH/F28.8, TCH/F32.0, and TCH/F43.2.

3 General approach

3GPP TS 43.010 (clause 6) defines the PLMN connection types necessary to support the GSM PLMN data and telematic services.

Within the BSS, transcoder and IWF, there are several data rate adaptation functions which are combined as shown in 3GPP TS 43.010 as part of a connection type.

These functions are RA0, RA1, RA1/RA1', RA1'', RA1'/RA1'', RA1'/RAA'', RAA'', RA1'/RAA', RAA' and RA2. The RA2 function is equivalent to that described in ITU-T Recommendation V.110. In addition, splitting/combining, padding and inband numbering functions as defined in 3GPP TS 44.021 and multiplexing as defined herein are used in cases where more than one channel is allowed.

The RA1/RA1', RA1'/RA1'', RA1'/RAA'' and RA1'/RAA' are relay functions used as indicated in 3GPP TS 43.010.

The BSS uses the information contained in the ASSIGNMENT REQUEST message on the A-interface (see 3GPP TS 48.008) to set the "E bits" and to map the "D bits" as shown below, as well as to choose the correct channel coding.

4 The RA0 Function

The RA0 function is specified in 3GPP TS 44.021.

5 The RA1 Function

This function shall be used to adapt between the synchronous user rates, or the output of the RA0 function or Split/Combine function and the intermediate rate of 8, 16, 32 or 64 kbit/s.

For multislot operations RA1 applies per substream. RA1 applies only if TCH/F4.8 or TCH/F9.6 is used for user rates up to 38,4 kbit/s.

Synchronous user rate	Intermediate rate
≤ 2,4 kbit/s	8 kbit/s
4,8 kbit/s	8 kbit/s
9,6 kbit/s	16 kbit/s
14,4 kbit/s	32 kbit/s
19,2 kbit/s	32 kbit/s
28,8 kbit/s	64 kbit/s
38,4 kbit/s	64 kbit/s

An ITU-T V.110 80 bits frame is constructed using the user data bits received (from the RA0 in the asynchronous case).

Adaptation of 600 bit/s to 8Kbit/s is performed by 8 times consecutive duplication of each user data bit. (Figure 11)

Adaptation of 1200 bit/s to 8 Kbit/s is performed by 4 times consecutive duplication of each user data bit. (Figure 10)

Adaptation of 2400 bit/s to 8kbit/s is performed by 2 times consecutive duplication of each user data bit. (Figure 9)

Adaptation of 4800 bit/s to 8 Kbit/s is performed by transmitting the bit stream with no duplication. (Figure 7)

Adaptation of 9600 bit/s to 16 Kbit/s is performed by transmitting the bit stream with no duplication (the emitting period is halved with respect to the 4800 bit/s case). (Figure 7)

Adaptation of 14400 bit/s to 32 Kbit/s is performed as for 3600 bit/s to 8 kbit/s (the emitting period is divided by four with respect to the 3600 bit/s case). (Adaptation of 3600 bit/s to 8 kbit/s is performed by transmitting the bit stream with no duplication.) (Figure 8)

Adaptation of 19200 bit/s to 32 Kbit/s is performed as for 4800 bit/s to 8 kbit/s (the emitting period is divided by four with respect to the 4800 bit/s case). (Figure 7)

Adaptation of 28800 bit/s to 64 Kbit/s is performed as for 3600 bit/s to 8 kbit/s (the emitting period is divided by eight with respect to the 3600 bit/s case). (Figure 8)

Adaptation of 38400 bit/s to 64 Kbit/s is performed as for 4800 bit/s 8 kbit/s (the emitting period is divided by eight with respect to the 4800 bit/s case). (Figure 7)

The ITU-T V.110 80 bit frames shown in Figures 7 and 8 are used. The meaning of the bits is specified in 44.021.

6 The RA1" Function

The RA1" function shall be used for converting between synchronous user rates of 48 and 56 kbit/s and the 'intermediate' rate of 64 kbit/s.

Note, RA1" is a 3GPP-specific term which is used for the one-step adaptation of 48 and 56 kbit/s rates into 64 kbit/s as specified in ITU-T V.110. For the purposes of 3GPP specifications the term 'intermediate rate' is used for the resulting 64 kbit/s rate although this is not done in ITU-T V.110.

6.1 Rate adaptation of 48 kbit/s user rates with DTE/DCE status to 64 kbit/s

An ITU-T V.110 32 bits frame is constructed using the user data bits received.

The ITU-T V.110 32 bit frame shown in Figure 12 is used. The D bits are used for conveying the user data and the S and X bits are used for conveying channel control information according 3GPP TS 27.001. The order of transmission of the 32 bit frame is from left to right and top to bottom.

6.2 Rate adaptation of 56 kbit/s user rate to 64 kbit/s

An ITU-T V.110 64 bits frame is constructed using the user data bits received.

The ITU-T V.110 64 bit frame shown in figure 13 is used. The D bits are used for conveying the user data.

The order of transmission of the 64 bit frame is from left to right and top to bottom.

7 Split/Combine and Padding Functions

The Split/Combine-function in the IWF shall be used in cases when up to and including 4 substreams are used.

The Split/Combine-function in the BSS shall be used only when more than four substreams are used.

7.1 Data Frame distribution into the channels by the Split/Combine function

Described in 3GPP TS 44.021.

7.2 Substream numbering

Described in 3GPP TS 44.021.

7.3 Initial Substream Synchronisation for Transparent Services

Described in 3GPP TS 44.021.

7.4 Frame Synchronisation and Action on loss of Synchronisation

When in the IWF, the Split/Combine function is responsible for controlling the initial frame synchronisation procedure and re-synchronisation procedure as described in 3GPP TS 29.007.

7.5 Network Independent Clocking

NIC is specified in 3GPP TS 44.021.

7.6 Padding

Padding is specified in 3GPP TS 44.021.

8 The EDGE Multiplexing Function

In EDGE configurations where the number of radio interface channels and number of channels or substreams used between BTS and MSC do not match, a multiplexing function described below shall be used at BTS to perform data multiplexing/demultiplexing between the radio interface and network channel configurations. A similar function shall be used also at MS as described in 44.021.

The EDGE multiplexing function is located between the radio interface and RA1'/RAA' function.

8.1 Transparent services

TCH/F28.8;

Uplink direction

Refer to the description of corresponding downlink procedures in 3GPP TS 44.021. Two TCH/F14.4 substreams are forwarded towards the MSC as in a 2×TCH/F14.4 multislot connection.

Downlink direction

The multiplexing function combines the data received through the two TCH/F14.4 substreams into the 29.0 kbit/s radio interface channel. Refer to the description of corresponding uplink procedures in 3GPP TS 44.021.

TCH/F32.0

Uplink direction

The multiplexing function maps the data received from the radio interface into one 64 kbit/s channel so that data carried by timeslot a ($0 \leq a \leq 6$) precedes data carried by timeslot $a+n$ ($1 \leq a+n \leq 7$) — the timeslots belonging to one TDMA-frame.

Downlink direction

The multiplexing function distributes the data received from the 64 kbit/s channel into two 32.0 kbit/s radio interface channels so that 640-bit data blocks are allocated to timeslots a ($0 \leq a \leq 6$) and $a+n$ ($1 \leq a+n \leq 7$). In the datastream, data carried by timeslot a precedes data carried by timeslot $a+n$ of the same TDMA-frame.

8.2 Non-Transparent services

TCH/F28.8;

Uplink direction

The multiplexing function demultiplexes the data received through the 29.0 kbit/s radio interface channel into two TCH/F14.4 substreams. Two 290-bit blocks carrying the two halves of one RLP frame belong to the same substream. Refer to the corresponding downlink procedures in 3GPP TS 44.021.

Downlink direction

The multiplexing function multiplexes the 290-bit blocks received through two TCH/F14.4 substreams into the 29.0 kbit/s radio interface channel. Refer to the corresponding uplink procedures in 3GPP TS 44.021.

TCH/F43.2;

Uplink direction

The multiplexing function demultiplexes the data received through the 43.5 kbit/s radio interface channel into three TCH/F14.4 substreams. Two 290-bit blocks carrying the two halves of one RLP frame belong to the same substream. Refer to the corresponding downlink procedures in 3GPP TS 44.021.

Downlink direction

The multiplexing function multiplexes the 290-bit blocks received through three TCH/F14.4 substreams into the 43.5 kbit/s radio interface channel. Refer to the corresponding uplink procedures in 3GPP TS 44.021.

9 The Functions RA1/RA1' and RA1'/RA1''

For AIURs less than or equal to 38,4 kbit/s, the RA1/RA1' function in the BSS shall be applied on each of the n substreams and there are no significant differences between the single slot case and the multislot case. For AIURs less than or equal to 38,4 kbit/s RA1/RA1' is as specified in 3GPP TS 44.021 for the single slot case.

For AIURs of 48 kbit/s, 56 kbit/s and 64 kbit/s, RA1'/RA1'' shall be applied as specified in 3GPP TS 44.021.

The table 1 gives a relation between the AIUR, channel coding and number of substreams. As an example from table 1: The wanted AIUR is 28,8 kbit/s, the number of substreams needed to support this rate is 3. Each individual substream shall be rate adapted as in the single slot case.

Table 1: Relationship between AIUR, channel coding and number of channels

AIUR	Multislot intermediate rate 8 kbps		Multislot intermediate rate of 16 kbps	
	Transparent	Non-transparent	Transparent	Non-transparent
≤2,4 kbit/s	1	N/A	N/A	N/A
4,8 kbit/s	1	1	N/A	N/A
9,6 kbit/s	2	2	1	1
14,4 kbit/s	3	3	2	N/A
19,2 kbit/s	4	4	2	2
28,8 kbit/s	N/A	N/A	3	3
38,4 kbit/s	N/A	N/A	4	4
48 kbit/s	N/A	N/A	5	N/A
56 kbit/s	N/A	N/A	5	N/A
64 kbit/s	N/A	N/A	6	N/A

9.1 Radio Interface rate of 12 kbit/s

Described in 3GPP TS 44.021.

9.2 Radio Interface rate of 6 kbit/s

Described in 3GPP TS 44.021.

9.3 Radio Interface rate of 3.6 kbit/s

Described in 3GPP TS 44.021.

9.4 Synchronisation

Refer to 3GPP TS 44.021.

9.5 Idle frames

Refer to 3GPP TS 44.021

10 The Functions RA1'/RAA' and RA1'/RAA''

The RA1'/RAA' shall be applied only when TCH/F14.4, TCH/F28.8, or TCH/F43.2 channel coding is used. The RA1'/RAA' converts 290-bit blocks from the channel coder or EDGE multiplexing function into E-TRAU frames and vice versa. The format of E-TRAU frame is specified in 3GPP TS 48.060.

The RA1'/RAA' function in the BSS shall be applied on each of the n substreams and there are no significant differences between the single slot case and the multislot case.

For the AIURs of 64 kbit/s, RA1'/RAA'' shall be applied as specified in 3GPP TS 44.021. This function converts 290-bit blocks from the channel coder directly into the synchronous 64 kbit/s data stream, an E-TRAU frame is not created in this case.

The table 2 gives a relation between the AIUR, channel coding and number of substreams. As an example from table 2 : The wanted AIUR is 28,8 kbit/s, the number of substreams needed to support this rate is 2. Each individual substream shall be rate adapted as in the single slot case.

Table 2 Relationship between AIUR, channel coding and number of channels.

AIUR	Transparent	Non-transparent
14,4 kbit/s	1	1
28,8 kbit/s	2	2
38,4 kbit/s	3	N/A
43,2 kbit/s	N/A	3
48 kbit/s	4	N/A
56 kbit/s	4	N/A
57,6 kbit/s	N/A	4
64 kbit/s	5	N/A

10.1 Radio Interface rate of 14,5 kbit/s

See 3GPP TS 48.060.

10.2 Synchronisation

See 3GPP TS 48.060.

10.3 Idle frames

See 3GPP TS 48.060.

11 THE RAA' FUNCTION

The RAA' function shall be applied only when TCH/F14.4, TCH/F28.8, or TCH/F43.2 channels are used.

The RAA' converts E-TRAU frame into A-TRAU frame and vice versa.

The format of the E-TRAU frame is specified in 3GPP TS 48.060.

11.1 Coding of A-TRAU frame

The format of the A-TRAU frame is given in Figure 5.

An A-TRAU frame carries eight 36 bit-data frames.

C Bits

Table 3

C1	C2	C3	C4	Date Rate
0	1	1	1	14,4 kbit/s
0	1	1	0	14.4 kbit/s idle (IWF to BSS only)

Table 4

C5	BSS to IWF Frame Type note 1	IWF to BSS UFE (Uplink Frame Error)
1	idle	framing error
0	data	no framing error

NOTE 1: Bit C5 corresponds to bit C6 of the E-TRAU frame as defined in 3GPP TS 48.060.

M BitsTransparent data

M1 and M2 are as defined in 3GPP TS 44.021.

Non transparent data

See subclause 15.2 of the present document.

Z bits

Bits Z_i are used for Framing Pattern Substitution.

See subclause 11.2.

11.2 Framing Pattern Substitution in A-TRAU frame

The Framing Pattern Substitution is used in each of the eight 36 bit data fields of the A-TRAU frame (see Figure 5) to avoid transmitting a sequence of eight zeroes (called Z sequence in the following).

The purposes of FPS is to avoid erroneous synchronisation to the A-TRAU due to sixteen zeroes occurring accidentally in the data bits and to avoid erroneous synchronisation to V.110. The synchronisation pattern of two consecutive V.110 frames cannot be found within a stream of A TRAU frames.

11.2.1 FPS encoding

A Zero Sequence Position (ZSP) field is used to account for the occurrence of eight zeroes in the 36 bit data field.

NOTE: A sequence of eight zeroes is considered as a block (e.g. a stream of eleven consecutive zeroes produces only one ZSP and not four ZSPs).

The ZSP field is defined as follows:

Table 5

1	2	3	4	5	6	7	8
1	C	A0	A1	A2	A3	A4	1

The meaning of the different bits of the ZSP field is :

C : Continuation bit. '0' means that there is another ZSP in the data field. '1' means that there is no other ZSP.

A0-A4 :address of the next Z sequence (eight zeroes) to be inserted. The address '00001' corresponds to the bit D1, the value '11101' to the bit D29, (A0 is the msb, A4 is the lsb).

NOTE: a Z sequence substitution cannot occur at bit D30..D36 (as it is 8 bit long)

1 : locking bit prevent the false occurrence of a Z sequence.

The Framing Pattern Substitution is applied in each of the eight 36 bit data field (see Figure 5).

Bit Z_i indicates whether FPS is used in the i th 36 bit data field ($i=1$ to 8). The coding of the Z_i bit is the following:

Table 6

Z_i ($i=1..8$)	meaning
1	no substitution
0	at least one substitution

If Z_i bit indicates no substitution, the output data bits of FPS are equal to the input data bits.

If Z_i indicates at least one substitution, the bits D1-D8 contain the first ZSP.

The following description indicates the general operating procedures for FPS. It is not meant to indicate a required implementation of the encoding procedure.

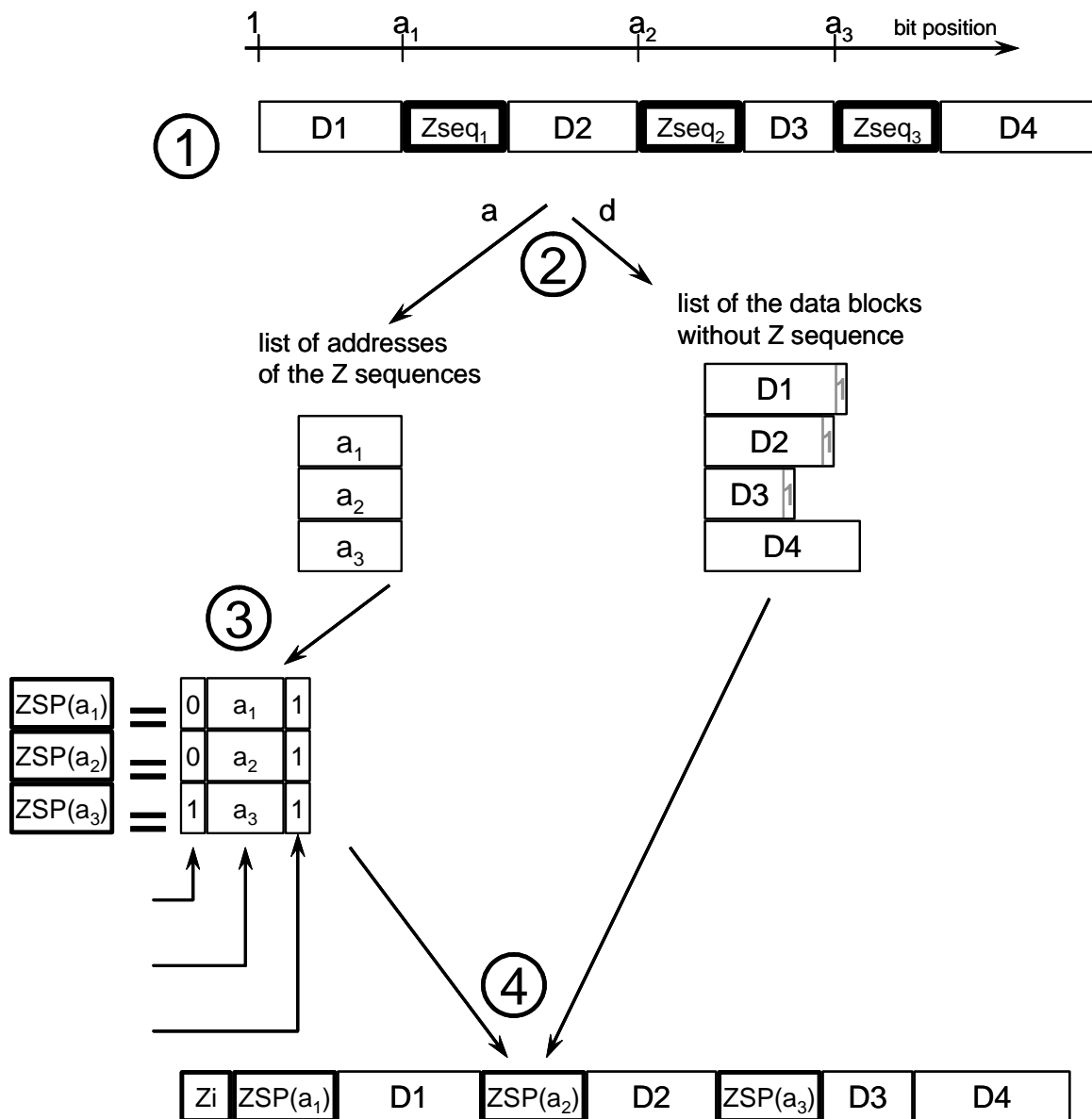


Figure 1

Step 1:

The input 36 bit sub frame is considered as a bit stream in which the bits are numbered from 1 to 36.

This bit stream contains 0, 1 or several Z sequences, (Zseq₁ to Zseq₃ on the figure)

The Z sequence is a sequence of 8 consecutive zeroes : '0000 0000'

Step 2:

Starting from this bit stream, two lists are built up :

2-a : the 'a' list which contains the address of the first bit of each Z sequences.

2-d : the 'd' list which contains all the data blocks which do not have the Z sequence.

Step 3:

The 'a' list is transformed so as to build the ZSP list. Each ZSP element is used to indicate:

at which address is the next Z sequence of the message

if yet another ZSP element is found at this address (link element)

Step 4:

The output 37 bit sub frame is built from:

the Zi field which indicates whether the original message has been transformed or not with this technique. In the example given in Figure 1, Zi shall be set to '0' to indicate that at least one FPS has occurred.

the ZSP and D elements interleaved.

As the ZSP elements have exactly the same length as the Z sequence, the sub frame length is only increased by one (the Zi bit), whatever the number of frame pattern substitutions may be.

For special cases, refer to annex A.

11.3 A-TRAU Synchronisation Pattern

The frame synchronisation is obtained by means of the first two octets in each frame, with all bits coded binary "0" and the first bit in octet no 2 coded binary "1". The following 17 bit alignment pattern is used to achieve frame synchronisation:

```

00000000  00000000  1XXXXXXXX  XXXXXXXXX  XXXXXXXXX  XXXXXXXXX  XXXXXXXXX  XXXXXXXXX
XXXXXXXXXX  XXXXXXXXX  XXXXXXXXX  XXXXXXXXX  XXXXXXXXX  XXXXXXXXX  XXXXXXXXX  XXXXXXXXX
XXXXXXXXXX  XXXXXXXXX  XXXXXXXXX  XXXXXXXXX  XXXXXXXXX  XXXXXXXXX  XXXXXXXXX  XXXXXXXXX
XXXXXXXXXX  XXXXXXXXX  XXXXXXXXX  XXXXXXXXX  XXXXXXXXX  XXXXXXXXX  XXXXXXXXX  XXXXXXXXX
XXXXXXXXXX  XXXXXXXXX  XXXXXXXXX  XXXXXXXXX  XXXXXXXXX  XXXXXXXXX  XXXXXXXXX  XXXXXXXXX

```

12 THE RAA" FUNCTION

On the IWF side of the A interface, the RAA" function shall convert between the A-TRAU format and a synchronous stream. FPS shall be performed by this function as well, see subclause 11.2. In transparent operation, the RAA" function shall handle the M1 and M2 bits as specified for the RA1' function in 3GPP TS 44.021.

In non-transparent operation, the RAA" function shall map between the A-TRAU format and 290 bit blocks consisting of M1, M2 and 288 bits making up half of an RLP frame, see subclause 15.2 of the present document.

13 The RA2 Function

The RA2 function shall be applied only for single slot operations. For multislot operations the A-interface Multiplexing Function applies (see clause 14).

This procedure is based on the RA2 function as specified in ITU-T V.110. It shall be used to rate adapt to/from the intermediate rates of 8, 16 or 32 kbit/s from/to the 64 kbit/s rate used at the A-interface.

Table 6a

Intermediate rate	Rate at the A-interface
8 kbit/s	64 kbit/s
16 kbit/s	64 kbit/s
32 kbit/s	64 kbit/s
64 kbit/s	64 kbit/s

For the intermediate and user data rate of 64 kbit/s, the RA2 transmits the bit stream over the A-interface as it is.

It considers the 64 kbit/s stream over the A interface to consist of octets, bits 1 through 8, with bit 1 being transmitted first.

The procedure requires that:

- i) The 8 kbit/s stream occupies bit position 1;
- ii) The 16 kbit/s bitstream occupies bit positions (1,2);
- iii) The 32 kbit/s bitstream occupies bit positions (1,2,3,4) ;
- iv) The order of transmission of the bits of the subrate stream is identical before and after rate adaptation.
- v) All unused bits in the 64 kbit/s stream are set to binary "1".

14 The A-interface Multiplexing Function

The multiplexing function shall be applied only for AIUR up to and including 57.6 kbit/s for multislot operations.

The multiplexing function is based on the ITU-T I.460. The multiplexing function is used to combine n ($n=2$ to 4) substreams of multislot intermediate rate of 8 kbit/s or n substreams of multislot intermediate rate of 16 kbit/s on one 64 kbit/s stream by using subcircuits in each octet to each substream such that:

- i) An 8 kbit/s substream is allowed to occupy subcircuits with positions 1,3,5 or 7 of each octet of the 64 kbit/s stream; a 16 kbit/s stream occupies bit positions (1,2) or (3,4) or (5,6) or (7,8).
- ii) The order of the bits at each substream is identical before and after multiplexing.
- iii) All unused bit positions shall be set to binary "1".
- iv) For transparent multislot configurations the lowest allowed subcircuits are always used.
- v) For non-transparent multislot configurations, the lowest allowed subcircuits shall be used at call set up and after change of channel configuration except at downgrading. At downgrading any of the used subcircuits may be released in uplink direction. Always, the released subcircuit(s) in downlink direction shall be the same as the released subcircuit(s) in uplink direction. At a possible subsequent upgrading, the lowest available bit positions shall be used for the added substreams.

NOTE: The rules given here are almost identical to those of I.460, Section 'Fixed format multiplexing', except for the rule i) is stricter in that 8 kbit/s substreams cannot occupy any positions, iv) and v) are added.

15 Support of non-transparent bearer services

15.1 TCH/F9.6 and TCH/F4.8 kbit/s channel codings

In the case of non-transparent services the RA1/RA1' function shall perform the same mapping as that described for transparent services, using 12 and 6 kbit/s radio interface data rates, with the following modification.

The E2 and E3 bits in the modified ITU-T V.110 80 bit frames shown in Figure 3 (derived from the standard ITU-T V.110 frame shown in Figure 2) are used to indicate each consecutive sequence of ITU-T V.110 80 bit frames corresponding to the four modified ITU-T V.110 60 bit frames (Figure 4) received/transmitted in one radio interface frame. This allows 240 bit Radio Link Protocol frames to/from the MSC to be aligned with the 4x60 bit frames encoded by the radio subsystem channel coder as a single unit (see 3GPP TS 45.003). The 8 bits consisting of the E2 and E3 bits in one of the above sequences is referred to as the Frame Start Identifier. The FSI value is 00 01 10 11. This value is assigned to the E2 and E3 bits as shown in Table 7.

Table 7

	E2	E3
First Modified ITU-T V.110 80 bit frame	0	0
Second	0	1
Third	1	0
Fourth	1	1

As each RLP frame is transported between the BSS and MSC in four modified ITU-T V.110 80 bit frames, it is necessary following a transmission break and at start up, to determine which modified ITU-T V.110 80 bit frame of the stream is the first for a particular RLP frame. This is needed so that correct alignment with the radio subsystem can be achieved.

Modified V.110 80 bit frames can slip in time during re-routing, and whilst sync exists within the modified ITU-T V.110 80 bit frame to determine the modified ITU-T V.110 80 bit frame boundaries, the FSI is required to determine which quarter of an RLP frame each modified ITU-T V.110 80 bit frame contains.

Table 8: Relationship between FNUR, AIUR, substream rate, number of substreams and intermediate rate

FNUR	AIUR	Number of Channels x Substream Rate	Channel Coding	Multislot Intermediate Rate
≤2,4 kbit/s	2,4 kbit/s	2-8 times duplication of each bit to reach 2,4 kbit/s	TCH/F4.8	8 kbit/s
4,8 kbit/s	4,8 kbit/s	4,8 kbit/s	TCH/F4.8	8 kbit/s
4,8 kbit/s	9,6 kbit/s	9,6 kbit/s	TCH/F9.6	16 kbit/s
9,6 kbit/s	9,6 kbit/s	2x4,8 kbit/s	2XTCH/F4.8	8 kbit/s
9,6 kbit/s	9,6 kbit/s	9,6 kbit/s	TCH/F9.6	16 kbit/s
14,4 kbit/s	14,4 kbit/s	3X4,8 kbit/s	3XTCH/F4.8	8 kbit/s
14,4 kbit/s	19,2 kbit/s	2X9,6 kbit/s	2XTCH/F9.6	16 kbit/s
19,2 kbit/s	19,2 kbit/s	4X4,8 kbit/s	4XTCH/F4.8	8 kbit/s
19,2 kbit/s	19,2 kbit/s	2X9,6 kbit/s	2XTCH/F9.6	16 kbit/s
28,8 kbit/s	28,8 kbit/s	3X9,6 kbit/s	3XTCH/F9.6	16 kbit/s
38,4	38,4 kbit/s	4X9,6 kbit/s	4XTCH/F9.6	16 kbit/s

NOTE: The table gives the relation between the FNUR, AIUR, Substream Rate, Channel Coding and Intermediate Rate. As an example: the wanted FNUR is 14,4 kbit/s and the selected channel coding is TCH/F9.6. The data stream is split into two substreams of 9,6 kbit/s yielding an AIUR of 19,2 kbit/s.

15.1.1 Alignment

An alignment window spanning four modified ITU-T V.110 80 bit frames shall be used to search for the pattern of 8 bits described above in order to identify alignment with an RLP frame.

In the event of failure to detect the 8 bit pattern, the alignment window is shifted one complete modified V.110 80 bit frame, discarding the contents of the most historical frame and then checking the new 8 bit pattern.

15.1.2 Support of Discontinuous Transmission (DTX)

The E1 bit in the modified ITU-T V.110 80 bit frame shown in Figure 3 shall be used in the direction MSC-BSS to indicate that DTX may be invoked (see 3GPP TS 24.022). The E1 bit in all of the four consecutive frames relating to the RLP frame to which DTX may be applied shall be set to 1. If DTX is not to be applied, the E1 bit shall be set to 0.

In the direction BSS-MSC the E1 bit shall always be set to 0.

15.1.3 Order of Transmission

The first bit of each quarter of an RLP frame to be transmitted shall correspond to bit D1 of a modified V.110 frame (figures 3 and 4). The remaining 59 bits of each quarter of an RLP frame shall correspond to the D and D' bits, D2 - D'12, in order left to right and top to bottom as shown in figures 3 and 4.

The first quarter of an RLP frame to be transmitted shall contain the E2 and E3 bit code 00 as shown in Table 1. The second quarter contains the code 01, etc.

15.2 TCH/F14.4, TCH/F28.8, and TCH/F43.2 channel codings

In case of non-transparent service, a 576 bit RLP frame shall be mapped over two consecutive A-TRAU frames.

Because of that mapping, it is required, following a transmission break and at start up, to determine which A-TRAU frame of the stream is the first for a particular RLP frame. This is needed so that correct alignment with the radio subsystem can be achieved.

The two consecutive M1 bits are referred to as the Frame Start Identifier. The FSI value is 01. This value is assigned to the M1 bits as shown in Table 9.

Table 9

	M1 bit
First A-TRAU frame	0
Second A-TRAU frame	1

A-TRAU frames can slip in time during re-routing, and whilst A-TRAU frame synchronisation exists, the FSI is required to determine which half of an RLP frame each A-TRAU frame contains.

Table 10: Relationship between AIUR, substream rate, number of substreams and intermediate rate

	AIUR	Number of substreams x AIUR per substream	Channel Coding	Multislot intermediate Rate
	14,4 kbit/s	14,4 kbit/s	TCH/F14.4	16 kbit/s
	28,8 kbit/s	2X14,4 kbit/s	2XTCH/F14.4 1XTCH/F28,8	16 kbit/s
	43,2 kbit/s	3X14,4 kbit/s	3XTCH/F14.4 1XTCH/F43,2	16 kbit/s
	57,6 kbit/s	4X14,4 kbit/s	4XTCH/F14.4	16 kbit/s
	57,6 kbit/s	4X14,4 kbit/s	4XTCH/F14.4 2XTCH/F28,8	16 kbit/s

NOTE: The table gives the relation between AIUR, Substream Rate, Channel Coding and Intermediate Rate. As an example: the AIUR is 28,8 kbit/s and the selected channel coding is 14,5 kbit/s. The data stream is split into two substreams of 14,5 kbit/s yielding an AIUR of 28,8 kbit/s

The same number of substreams is used in each direction, even if the AIURs in each direction differ. Superfluous substreams are filled with idle frames. These are inserted at the BTS or IWF and are discarded at the IWF or BTS respectively. At the IWF, the down link AIUR is determined by the out of band signalling (Assignment Complete, Handover Performed), whereas the up link AIUR is determined inband by examining the possible substream positions on the A interface.

15.2.1 Alignment

An alignment window spanning two 290 bit blocks in case of TCH/F14.4 channel shall be used to search for the pattern of 2 bits '01' described in subclause 15.2, in order to identify alignment with an RLP frame.

In the event of failure to detect the 2 bits pattern the alignment window is shifted one 290 bit block, discarding the contents of the most historical frame and then checking the new 2 bits pattern.

15.2.2 Support of Discontinuous Transmission (DTX)

The M2 bit in the A-TRAU frame shown in Figure 5 shall be used in the direction MSC to BSS to indicate that DTX may be invoked (see 3GPP TS 24.022). The M2 bit in all of the two consecutive A-TRAU frames relating to the RLP frame to which DTX may be applied shall be set to 1. If DTX is not to be applied, the M2 bit shall be set to 0.

In the direction BSS to MSC the M2 bit shall always be set to 0.

16 Support of transparent bearer services

16.1 TCH/F9.6 and TCH/F4.8 channel codings

16.1.1 User rate adaptation on the A interface, AIUR less than or equal to 38,4 kbit/s

The ITU-T V.110 80 bit frame shall be used for transparent data on the A interface. These frames are transmitted on up to four substreams multiplexed into one stream sent over the A interface. The split/combine function is applied on the substreams as specified in clause 5 of the present document. The relation between the AIUR and the number of channels is specified in table 11.

The 64 kbit/s consists of octets, bits 1 through 8, with bit 1 transmitted first.

For a 9 600 bit/s radio interface user rate the V.110 frame is carried with a 16 kbits/s stream which occupies bit positions (1,2).

For radio interface user rates of either 4 800 bit/s, 2 400 bit/s, 1 200 bit/s or 300 bit/s the V.110 frame is carried with a 8 kbits/s stream which occupies bit position (1). For user rates < 1 200bit/s asynchronous characters are padded with additional stop elements by the RA0 function (in the MSC/IWF) to fit into 600 bit/s synchronous RA1 rate prior to rate adaptation to 64 kbits/s.

No use of 4 kbit/s stream is foreseen.

In a given V.110 frame on the A interface:

- for 9 600 bit/s there is no repetition of bits D within the 16 kbit/s stream ;
- for 4 800 bit/s there is no repetition of bits D within the 8 kbit/s stream ;
- for 2 400 bit/s each bit D is repeated twice within the 8 kbit/s stream (D1 D1 D2 D2 etc) ;
- for 1 200 bit/s each bit D is repeated four times within the 8 kbit/s stream (D1 D1 D1 D1 D2 D2 D2 D2 etc) ;
- for 600 bit/s each bit D is repeated eight times within the 8kbit/s stream (D1 D1 D1 D1 D1 D1 D1 D1 D2 D2 D2 D2 D2 D2 D2 D2 etc);

16.1.2 User rate Adaptation on the A-interface, AIUR greater than 38,4 kbit/s

For AIUR of 48 kbit/s, 56 kbit/s and 64 kbit/s one stream consisting of ITU-T V.110 32 bit frames or 64 bit frames, as specified in 3GPP TS 44.021 shall be transmitted over the A-interface. Splitting/Combining which occurs in the BSS, is as specified in 3GPP TS 44.021.

Table 11 gives the relation between the User Rate, Substream Rate Channel Coding and the Intermediate Rate.

16.1.3 Relation between AIUR and the number of channels

Table11: Relationship between the AIUR, substream rate, channel coding, intermediate rate and number of channels

AIUR	Number of channels x Substream Rate	Channel Coding	(Multislot) intermediate Rate (Note1)
≤2,4 kbit/s	2-8 times duplication of each bit to reach 4,8 kbit/s	TCH/F4.8	8 kbit/s
4,8 kbit/s	4,8 kbit/s	TCH/F4.8	8 kbit/s
9,6 kbit/s	2X4,8 kbit/s	2XTCH/F4.8	8 kbit/s
9,6 kbit/s	9,6 kbit/s	TCH/F9.6	16 kbit/s
14,4 kbit/s	3X4,8 kbit/s	3XTCH/F4.8	8 kbit/s
14,4 kbit/s	2X9,6 kbit/s w/ padding	2XTCH/F9.6	16 kbit/s
19,2 kbit/s	4X4,8 kbit/s	4XTCH/F4.8	8 kbit/s
19,2 kbit/s	2X9,6 kbit/s	2XTCH/F9.6	16 kbit/s
28,8 kbit/s	3x9,6 kbit/s	3XTCH/F9.6	16 kbit/s
38,4 kbit/s	4X9,6 kbit/s	4XTCH/F9.6	16 kbit/s
48 kbit/s	5X9,6 kbit/s	5XTCH/F9.6	64 kbit/s
56 kbit/s	5X11,2 kbit/s	5XTCH/F9.6	64 kbit/s
64 kbit/s	66x11,2 kbit/s w/padd.	6XTCH/F9.6	64 kbit/s
NOTE: For AIURs ≤ 38,4 kbit/s this column indicates the multislot intermediate rate: for higher AIURs it indicates the intermediate rate.			

16.1.4 Handling of status bits X, SA, SB

In the single slot case, status bit SA shall be coded repeatedly as S1, S3, S6, S8, and SB is coded repeatedly as S4 and S9 in Figure 2. In the multislot case, status bit SA is coded repeatedly as S6, S8 and SB is coded as S9 in figures 2, 5 and 6.

The handling of the status bits shall comply with the synchronisation procedures for transparent services which are as described in 3GPP TS 29.007 (MSC), 3GPP TS 44.021 (BSS), 3GPP TS 27.001 (MS).

16.1.5 Handling of bits E1 to E7

Bits E1 to E3 shall be used according to 44.021.

Bits E4 to E7 may be used for network independent clocking as indicated in 3GPP TS 44.021.

16.2 TCH/F14.4, TCH/F28.8, and TCH/F32.0 channel codings

16.2.1 User rate adaptation on the A interface, AIUR less than or equal to 56 kbit/s

The A-TRAU frame shall be used for transparent user data rates other than 32 kbit/s on the A interface. The A-TRAU frames are transmitted on up to four substreams multiplexed into one stream sent over the A interface. The split/combine function is applied on the substreams as specified in clause 7 of this TS. The relation between the AIUR and the number of channels is specified in table 12.

In a given A-TRAU frame on the A interface:

- for 14 400 bit/s there is no repetition of bits D within the 16 kbit/s stream in a given A-TRAU frame on the A interface.

The ITU-T I.460 rate adaptation is used for the transparent 32 kbit/s user rate on the A interface, i.e. four bits of each octet in the 64 kbit/s time slot are used for transporting the 32 kbit/s user data.

16.2.2 User Rate Adaptation on the A-interface, AIUR greater than 56 kbit/s

For AIUR of 64 kbit/s one stream consisting of ITU-T V.110 32 bit frames or 64 bit frames, as specified in 3GPP TS 44.021 shall be transmitted over the A-interface. Splitting/Combining which occurs in the BSS, shall be as specified in 3GPP TS 44.021.

Table 12 gives the relation between the User Rate, Substream Rate Channel Coding and the Intermediate Rate.

16.2.3 Relation between AIUR and the number of channels

Table 12: Relationship between the AIUR, AIUR per substream, channel coding, intermediate rate and number of substreams

AIUR	Number of substreams x AIUR per substream	Channel Coding	Multislot intermediate Rate (note 1)
14,4 kbit/s	14,4 kbit/s	TCH/F14.4	16 kbit/s
28,8 kbit/s	2X14,4 kbit/s	TCH/F14.4 TCH/F28.8	16 kbit/s
32 kbit/s	1x32 kbit/s	TCH/F32.0	32 kbit/s
38,4 kbit/s	3X14,4 kbit/s w/padding	TCH/F14.4	16 kbit/s
48 kbit/s	4X14,4 kbit/s w/padding	TCH/F14.4	16 kbit/s
56 kbit/s	4X14,4 kbit/s w/padding 1x64.0 kbit/s (Note 2)	TCH/F14.4 TCH/F32.0	16 kbit/s 64 kbit/s
64kbit/s	5X14,4 kbit/s w/padding 1x64.0 kbit/s (Note 2)	TCH/F14.4 TCH/F32.0	64 kbit/s
NOTE 1: For AIURs ≤ 56 kbit/s this column indicates the multislot intermediate rate: for higher AIURs it indicates the intermediate rate.			
NOTE 2: One substream over two air interface timeslots. No multislot intermediate rate.			

16.2.4 Handling of status bits X and SB

The X and SB bits shall be carried over the A interface in a multiframe structure as described in subclause 10.3 of 3GPP TS 44.021. SA bit is not carried over the A interface.

The handling of the status bits shall comply with the synchronisation procedures for transparent services which are as described in 3GPP TS 29.007 (MSC), 3GPP TS 44.021 (BSS), 3GPP TS 27.001 (MS).

17 Frame Formats

Octet No.	Bit number							
	0	1	2	3	4	5	6	7
0	0	0	0	0	0	0	0	0
1	1	D1	D2	D3	D4	D5	D6	S1
2	1	D7	D8	D9	D10	D11	D12	X
3	1	D13	D14	D15	D16	D17	D18	S3
4	1	D19	D20	D21	D22	D23	D24	S4
5	1	E1	E2	E3	E4	E5	E6	E7
6	1	D25	D26	D27	D28	D29	D30	S6
7	1	D31	D32	D33	D34	D35	D36	X
8	1	D37	D38	D39	D40	D41	D42	S8
9	1	D43	D44	D45	D46	D47	D48	S9

Figure 2: The ITU-T V.110 80 bit frame for Transparent Data

octet no.	bit number							
	0	1	2	3	4	5	6	7
0	0	0	0	0	0	0	0	0
1	1	D1	D2	D3	D4	D5	D6	D'1
2	1	D7	D8	D9	D10	D11	D12	D'2
3	1	D13	D14	D15	D16	D17	D18	D'3
4	1	D19	D20	D21	D22	D23	D24	D'4
5	1	E1	E2	E3	D'5	D'6	D'7	D'8
6	1	D25	D26	D27	D28	D29	D30	D'9
7	1	D31	D32	D33	D34	D35	D36	D'10
8	1	D37	D38	D39	D40	D41	D42	D'11
9	1	D43	D44	D45	D46	D47	D48	D'12

Figure 3: The modified ITU-T V.110 80 bit frame for Non-Transparent Data

D1	D2	D3	D4	D5	D6	D'1
D7	D8	D9	D10	D11	D12	D'2
D13	D14	D15	D16	D17	D18	D'3
D19	D20	D21	D22	D23	D24	D'4
D'5	D'6	D'7	D'8	D25	D26	D27
D28	D29	D30	D'9	D31	D32	D33
D34	D35	D36	D'10	D37	D38	D39
D40	D41	D42	D'11	D43	D44	D45
D46	D47	D48	D'12			

Figure 4: Modified ITU-T V.110 60 bit frame for Non-Transparent Data

octet number	bit number							
	0	1	2	3	4	5	6	7
0	0	0	0	0	0	0	0	0
1	0	0	0	0	0	0	0	0
2	1	C1	C2	C3	C4	C5	M1	M2
3	Z1	D1	D2	D3	D4	D5	D6	D7
4	D8	D9	D10	D11	D12	D13	D14	D15
5	D16	D17	D18	D19	D20	D21	D22	D23
6	D24	D25	D26	D27	D28	D29	D30	D31
7	D32	D33	D34	D35	D36	Z2	D1	D2
8	D3	D4	D5	D6	D7	D8	D9	D10
9	D11	D12	D13	D14	D15	D16	D17	D18
10	D19	D20	D21	D22	D23	D24	D25	D26
11	D27	D28	D29	D30	D31	D32	D33	D34
12	D35	D36	Z3	D1	D2	D3	D4	D5
13	D6	D7	D8	D9	D10	D11	D12	D13
14	D14	D15	D16	D17	D18	D19	D20	D21
15	D22	D23	D24	D25	D26	D27	D28	D29
16	D30	D31	D32	D33	D34	D35	D36	Z4
17	D1	D2	D3	D4	D5	D6	D7	D8
18	D9	D10	D11	D12	D13	D14	D15	D16
19	D17	D18	D19	D20	D21	D22	D23	D24
20	D25	D26	D27	D28	D29	D30	D31	D32
21	D33	D34	D35	D36	Z5	D1	D2	D3
22	D4	D5	D6	D7	D8	D9	D10	D11
23	D12	D13	D14	D15	D16	D17	D18	D19
24	D20	D21	D22	D23	D24	D25	D26	D27
25	D28	D29	D30	D31	D32	D33	D34	D35
26	D36	Z6	D1	D2	D3	D4	D5	D6
27	D7	D8	D9	D10	D11	D12	D13	D14
28	D15	D16	D17	D18	D19	D20	D21	D22
29	D23	D24	D25	D26	D27	D28	D29	D30
30	D31	D32	D33	D34	D35	D36	Z7	D1
31	D2	D3	D4	D5	D6	D7	D8	D9
32	D10	D11	D12	D13	D14	D15	D16	D17
33	D18	D19	D20	D21	D22	D23	D24	D25
34	D26	D27	D28	D29	D30	D31	D32	D33
35	D34	D35	D36	Z8	D1	D2	D3	D4
36	D5	D6	D7	D8	D9	D10	D11	D12
37	D13	D14	D15	D16	D17	D18	D19	D20
38	D21	D22	D23	D24	D25	D26	D27	D28
39	D29	D30	D31	D32	D33	D34	D35	D36

Figure 5: A-TRAU 320 bit frame

octet no.	bit number							
	0	1	2	3	4	5	6	7
0	0	0	0	0	0	0	0	0
1	1	D1	D2	D3	D4	D5	D6	S1
2	1	D7	D8	D9	D10	D11	D12	X
3	1	D13	D14	D15	D16	D17	D18	S3
4	1	D19	D20	D21	D22	D23	D24	S4
5	1	E1	E2	E3	E4	E5	E6	E7
6	1	1	1	1	1	1	1	S6
7	1	1	1	1	1	1	1	X
8	1	1	1	1	1	1	1	S8
9	1	1	1	1	1	1	1	S9

Figure 6: The modified ITU-T V.110 80 bit frame padded for 4,8 kbit/s transparent data at intermediate rate 16 kbit/s

Octet No.	Bit number							
	1	2	3	4	5	6	7	8
0	0	0	0	0	0	0	0	0
1	1	D1	D2	D3	D4	D5	D6	S1
2	1	D7	D8	D9	D10	D11	D12	X
3	1	D13	D14	D15	D16	D17	D18	S3
4	1	D19	D20	D21	D22	D23	D24	S4
5	1	E1	E2	E3	E4	E5	E6	E7
6	1	D25	D26	D27	D28	D29	D30	S6
7	1	D31	D32	D33	D34	D35	D36	X
8	1	D37	D38	D39	D40	D41	D42	S8
9	1	D43	D44	D45	D46	D47	D48	S9

Figure 7: The ITU-T V.110 80 bit RA1 frame structure

0	0	0	0	0	0	0	0
1	D1	D2	D3	D4	D5	D6	S1
1	D7	D8	D9	D10	F	F	X
1	D11	D12	F	F	D13	D14	S3
1	F	F	D15	D16	D17	D18	S4
1	1	0	1	E4	E5	E6	E7
1	D19	D20	D21	D22	D23	D24	S6
1	D25	D26	D27	D28	F	F	X
1	D29	D30	F	F	D31	D32	S8
1	F	F	D33	D34	D35	D36	S9

F =Fill bits, which are set to 1.

Figure 8: The ITU-T V.110 80 bit frame for 3.6 kbit/s transparent data (8 kbit/s intermediate rate)

0	0	0	0	0	0	0	0
1	D1	D1	D2	D2	D3	D3	S1
1	D4	D4	D5	D5	D6	D6	X
1	D7	D7	D8	D8	D9	D9	S3
1	D10	D10	D11	D11	D12	D12	S4
1	1	1	0	E4	E5	E6	E7
1	D13	D13	D14	D14	D15	D15	S6
1	D16	D16	D17	D17	D18	D18	X
1	D19	D19	D20	D20	D21	D21	S8
1	D22	D22	D23	D23	D24	D24	S9

Figure 9: ITU-T V.110 80 bit frame for 2,4 kbit/s transparent data (8 kbit/s intermediate rate)

0	0	0	0	0	0	0	0
1	D1	D1	D1	D1	D2	D2	S1
1	D2	D2	D3	D3	D3	D3	X
1	D4	D4	D4	D4	D5	D5	S3
1	D5	D5	D6	D6	D6	D6	S4
1	0	1	0	E4	E5	E6	E7
1	D7	D7	D7	D7	D8	D8	S6
1	D8	D8	D9	D9	D9	D9	X
1	D10	D10	D10	D10	D11	D11	S8
1	D11	D11	D12	D12	D12	D12	S9

Figure 10: ITU-T V.110 80 bit frame for 1,2 kbit/s transparent data (8 kbit/s intermediate rate)

0	0	0	0	0	0	0	0
1	D1	D1	D1	D1	D1	D1	S1
1	D1	D1	D2	D2	D2	D2	X
1	D2	D2	D2	D2	D3	D3	S3
1	D3	D3	D3	D3	D3	D3	S4
1	1	0	0	E4	E5	E6	E7 (note)
1	D4	D4	D4	D4	D4	D4	S6
1	D4	D4	D5	D5	D5	D5	X
1	D5	D5	D5	D5	D6	D6	S8
1	D6	D6	D6	D6	D6	D6	S9

NOTE: In order to maintain compatibility with Recommendation X.30 (I.461), for the 600 bit/s user rate bit E7 is coded to enable the 4x80 bit multiframe synchronisation. To this end, E7 in the fourth 80 bit frame is set to binary '0'. See Table 6 of ITU-T Recommendation V.110(09/92).

Figure 11: ITU-T V.110 80 bit frame for 600 bit/s transparent data (8 kbit/s intermediate rate)

1	D1	D2	D3	D4	D5	D6	S1
0	D7	D8	D9	D10	D11	D12	X
1	D13	D14	D15	D16	D17	D18	S3
1	D19	D20	D21	D22	D23	D24	S4

Figure 12: The ITU-T V.110 32 bit 48 kbit/s frame structure (64 kbit/s intermediate rate)

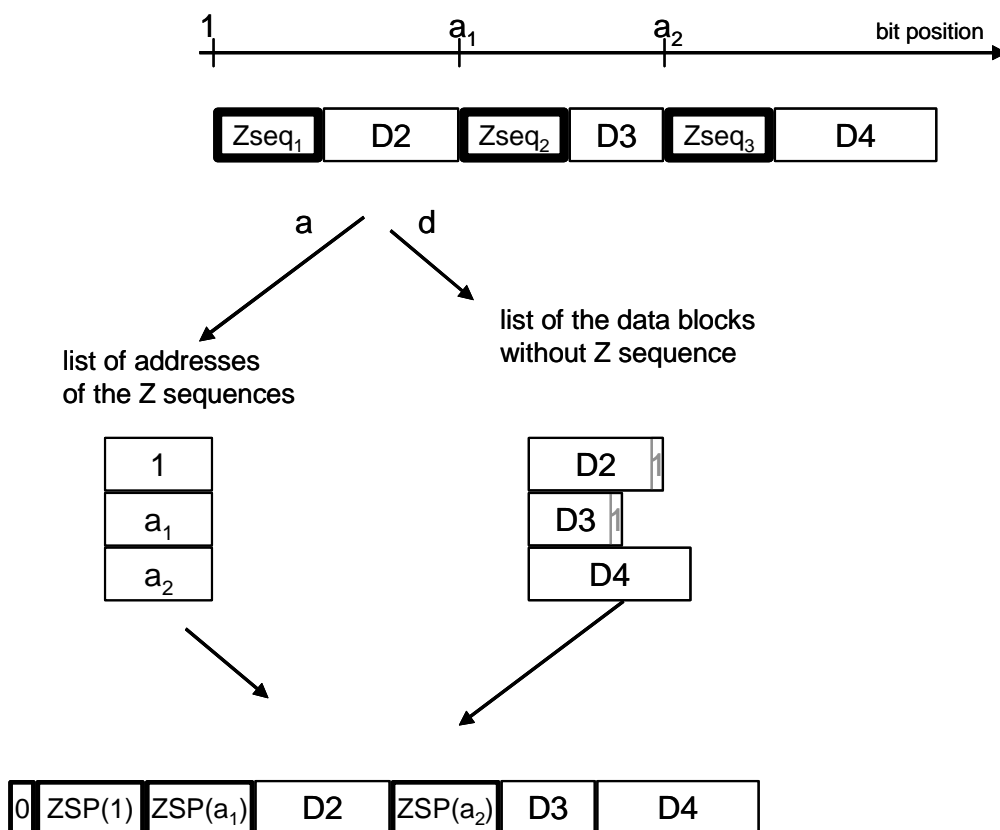
D1	D2	D3	D4	D5	D6	D7	1
D8	D9	D10	D11	D12	D13	D14	1
D15	D16	D17	D18	D19	D20	D21	1
D22	D23	D24	D25	D26	D27	D28	1
D29	D30	D31	D32	D33	D34	D35	1
D36	D37	D38	D39	D40	D41	D42	1
D43	D44	D45	D46	D47	D48	D49	1
D50	D51	D52	D53	D54	D55	D56	1

Figure 13: The ITU-T V.110 64 bit 56 kbit/s frame structure (64 kbit/s intermediate rate, option without status bits)

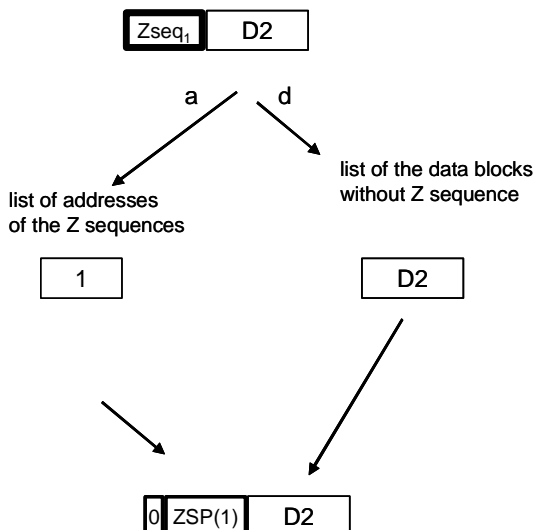
Annex A (informative): Frame Pattern Substitution

A.1 Special cases

If the sub frame starts with a Zseq, D1 is empty. With the above example, the resulting input and output sub frames are the following:



In the same case as above but with only one ZSP, the resulting input and output sub frames are the following:



A.2 False Z sequence detection

The Framing Pattern Substitution algorithm presented in subclause 10.2 ensures sure that all the Z sequences found in the original sub frame are removed, but it shall be checked that the transformations performed do not introduce new unwanted Z sequences.

The goal of this subclause is to show that the transformed sub frame does not contain new Z sequences introduced by the algorithm itself.

The coding of the ZSP is the key point to avoid such an emulation. The different cases are considered below.

1: Sequence ZSP

The worst case is when the address is equal to 1:

1	C	A0	A1	A2	A3	A4	1
1	0	0	0	0	0	1	1

There is a maximum of 5 zeroes.

2: Sequence Di / ZSP.

By definition, a data block always ends up with a one (except the last one of the message) and the ZSP always starts with a 1.

3: Sequence ZSP / Di

ZSP always ends up with a 1 and Di has a maximum of 7 zeroes : it is not possible to find 16 zeroes in a row.

4: Sequence Di / Dj

Di is not the last data block of the message.

As already mentioned, Di ends up with a one (except the last one) : this is the same case as 3.

5: Sequence Zi / D or D / Zi

This case only occurs when there is no substitution. In this case, the Zi bit close to the D field is always a one: this does not change the number of zeroes in sequence.

6: Sequence last Di / new framing pattern

The last D sequence can end up with up to 7 zeroes, followed by the 16 zeroes of the next frame.

There is anyhow no ambiguity, when considering that the framing pattern is made up of 16 zeroes *followed* by a one.

7: Sequence last Di / Z bit of the next sub frame

The last D sequence can end up with up to 7 zeroes, followed in the worst case by Z=0 and then a ZSP. As a ZSP starts with a one, this makes a maximum of 8 zeroes in a row.

8: Sequence ZSP / ZSP (not shown on the figure)

This case arrives when the original message has at least 16 zeroes in a row.

As the ZSP element always starts and ends up with a one, this always induces two consecutive ones.

Annex B (informative): Change History

Change history							
Date	TSG #	TSG Doc.	CR	Rev	Subject/Comment	Old	New
	s27		A005		Synchronisation	5.3.0	7.0.0
	s29		A006		Introduction of EDGE channel codings into the specifications	7.0.0	8.0.0
	s30		A007		Asymmetric channel coding	8.0.0	8.1.0
09-2000	TSG#09	NP-000551	A008	1	32 kbit/s UDI/RDI multimedia in GSM	8.1.0	8.2.0
12-2000	TSG#10	NP-000604	A009		Removal of 1200/75 bit/s data rate and clean-up	8.2.0	8.3.0
03-2001	TSG#11	NP-010040	A013		Correction of downgrading procedure for HSCSD	8.3.0	8.4.0
03-2001	TSG#11				Upgraded to Release 4 [08.20 -> 48.020]	8.4.0	4.0.0
12-2001	TSG#14	NP-010604	001	1	Terminology clarifications requested by TSG GERAN	4.0.0	5.0.0
09-2002	TSG#17	NP-020405	002		Correction of Rate Adaptation Functions and removal of S Reference Point in MS	5.0.0	5.1.0

History

Document history		
V5.0.0	December 2001	Publication
V5.1.0	September 2002	Publication