

ETSI TS 151 021 V10.6.0 (2012-10)



**Digital cellular telecommunications system (Phase 2+);
Base Station System (BSS) equipment specification;
Radio aspects
(3GPP TS 51.021 version 10.6.0 Release 10)**



Reference

RTS/TSGG-0151021va60

Keywords

GSM

ETSI

650 Route des Lucioles
F-06921 Sophia Antipolis Cedex - FRANCE

Tel.: +33 4 92 94 42 00 Fax: +33 4 93 65 47 16

Siret N° 348 623 562 00017 - NAF 742 C
Association à but non lucratif enregistrée à la
Sous-Préfecture de Grasse (06) N° 7803/88

Important notice

Individual copies of the present document can be downloaded from:

<http://www.etsi.org>

The present document may be made available in more than one electronic version or in print. In any case of existing or perceived difference in contents between such versions, the reference version is the Portable Document Format (PDF). In case of dispute, the reference shall be the printing on ETSI printers of the PDF version kept on a specific network drive within ETSI Secretariat.

Users of the present document should be aware that the document may be subject to revision or change of status. Information on the current status of this and other ETSI documents is available at

<http://portal.etsi.org/tb/status/status.asp>

If you find errors in the present document, please send your comment to one of the following services:

http://portal.etsi.org/chaicor/ETSI_support.asp

Copyright Notification

No part may be reproduced except as authorized by written permission.
The copyright and the foregoing restriction extend to reproduction in all media.

© European Telecommunications Standards Institute 2012.
All rights reserved.

DECT™, **PLUGTESTS™**, **UMTS™** and the ETSI logo are Trade Marks of ETSI registered for the benefit of its Members.
3GPP™ and **LTE™** are Trade Marks of ETSI registered for the benefit of its Members and
of the 3GPP Organizational Partners.
GSM® and the GSM logo are Trade Marks registered and owned by the GSM Association.

Intellectual Property Rights

IPRs essential or potentially essential to the present document may have been declared to ETSI. The information pertaining to these essential IPRs, if any, is publicly available for **ETSI members and non-members**, and can be found in ETSI SR 000 314: "*Intellectual Property Rights (IPRs); Essential, or potentially Essential, IPRs notified to ETSI in respect of ETSI standards*", which is available from the ETSI Secretariat. Latest updates are available on the ETSI Web server (<http://ipr.etsi.org>).

Pursuant to the ETSI IPR Policy, no investigation, including IPR searches, has been carried out by ETSI. No guarantee can be given as to the existence of other IPRs not referenced in ETSI SR 000 314 (or the updates on the ETSI Web server) which are, or may be, or may become, essential to the present document.

Foreword

This Technical Specification (TS) has been produced by ETSI 3rd Generation Partnership Project (3GPP).

The present document may refer to technical specifications or reports using their 3GPP identities, UMTS identities or GSM identities. These should be interpreted as being references to the corresponding ETSI deliverables.

The cross reference between GSM, UMTS, 3GPP and ETSI identities can be found under <http://webapp.etsi.org/key/queryform.asp>.

Contents

Intellectual Property Rights	2
Foreword.....	2
Foreword.....	9
1 Scope	10
2 References	11
3 Definitions, abbreviations, frequency bands and channels.....	12
3.1 Definitions	12
3.2 Abbreviations	14
3.3 Frequency bands and channels	15
3.3.1 Frequency bands	15
3.3.2 Channels and channel numbering	15
4 General test conditions and declarations	16
4.1 Output power and determination of power class	16
4.2 Specified frequency range	16
4.3 Frequency hopping	17
4.4 RF power control.....	17
4.5 Downlink discontinuous transmission (DTX)	17
4.6 Test environments	17
4.6.1 Normal test environment	18
4.6.2 Extreme test environment	18
4.6.2.1 Extreme temperature	18
4.6.3 Vibration.....	19
4.6.4 Power supply	19
4.7 Acceptable uncertainty of measurement equipment.....	19
4.8 Interpretation of measurement results	23
4.9 Selection of configurations for testing.....	23
4.10 BTS Configurations.....	24
4.10.1 Receiver diversity	24
4.10.2 Duplexers.....	24
4.10.3 Power supply options.....	25
4.10.4 Ancillary RF amplifiers	25
4.10.5 BSS using antenna arrays	26
4.10.6 BTS supporting 8-PSK modulation	27
4.10.7 BTS supporting additional modulations in EGPRS2	27
4.10.8 Supported Symbol Rate	27
4.10.9 Support of RTTI and/or FANR.....	27
4.10.10 Multicarrier BTS.....	27
5 Format and interpretation of tests.....	28
6 Transmitter	29
6.1 Static Layer 1 functions.....	29
6.1.1 Test purpose.....	29
6.1.2 Test case	30
6.1.3 Essential conformance	30
6.1.4 Complete conformance	30
6.1.5 Requirement reference	30
6.2 Modulation accuracy	30
6.2.1 Test purpose.....	30
6.2.2 Test case	31
6.2.3 Essential conformance	32
6.2.4 Complete conformance	33
6.2.5 Requirement reference	33
6.3 Mean transmitted RF carrier power.....	34

6.3.1	Test purpose.....	34
6.3.2	Test case	34
6.3.3	Essential conformance	34
6.3.4	Complete conformance	35
6.3.5	Requirement reference	35
6.4	Transmitted RF carrier power versus time	36
6.4.1	Test purpose.....	36
6.4.2	Test case	36
6.4.3	Essential conformance	36
6.4.4	Complete conformance	37
6.4.5	Requirement reference	41
6.5	Adjacent channel power	41
6.5.1	Spectrum due to modulation and wideband noise.....	41
6.5.1.1	Test purpose	41
6.5.1.2	Test case.....	41
6.5.1.3	Essential Conformance.....	42
6.5.1.4	Complete conformance	44
6.5.1.5	Requirement reference	45
6.5.2	Switching transients spectrum	45
6.5.2.1	Test purpose	45
6.5.2.2	Test case.....	45
6.5.2.3	Essential conformance	46
6.5.2.4	Complete conformance	47
6.5.2.5	Requirement reference	47
6.6	Spurious emissions from the transmitter antenna connector	47
6.6.1	Conducted spurious emissions from the transmitter antenna connector, inside the BTS transmit band	47
6.6.1.1	Test Purpose	47
6.6.1.2	Test Case	47
6.6.1.3	Essential conformance	48
6.6.1.4	Complete conformance	48
6.6.1.5	Requirement Reference.....	48
6.6.2	Conducted spurious emissions from the transmitter antenna connector, outside the BTS transmit band	48
6.6.2.1	Applicability (Phase 2).....	48
6.6.2.1.1	Test Purpose	48
6.6.2.1.2	Test Case	48
6.6.2.1.3	Essential conformance.....	49
6.6.2.1.4	Complete conformance.....	49
6.6.2.1.5	Requirement Reference	50
6.6.2.2	Applicability (Phase 2+)	50
6.6.2.2.1	Test Purpose	50
6.6.2.2.2	Test Case	50
6.6.2.2.3	Essential conformance.....	51
6.6.2.2.4	Complete conformance.....	52
6.6.2.2.5	Requirement Reference	52
6.6.2.3	Applicability (Release 1999 and later releases GSM 400, GSM 900 and DCS 1800).....	53
6.6.2.3.1	Test Purpose	53
6.6.2.3.2	Test Case	53
6.6.2.3.3	Essential conformance.....	54
6.6.2.3.4	Complete conformance.....	54
6.6.2.3.5	Requirement Reference	54
6.6.2.4	Applicability (Release 4 and later releases GSM 700, GSM 850 and PCS 1900)	54
6.6.2.4.1	Test Purpose	54
6.6.2.4.2	Test Case	54
6.6.2.4.3	Essential conformance.....	55
6.6.2.4.4	Complete conformance.....	55
6.6.2.4.5	Requirement Reference	55
6.6.2.5	Applicability (Release 7 and later releases GSM 400, T-GSM 810, GSM 900 and DCS 1800).....	55
6.6.2.5.1	Test Purpose	55
6.6.2.5.2	Test Case	56
6.6.2.5.3	Essential conformance.....	57
6.6.2.5.4	Complete conformance.....	57

6.6.2.5.5	Requirement Reference	58
6.6.2.5a	Applicability (Release 7 and later releases GSM 700, GSM 850 and PCS 1900)	58
6.6.2.5a.1	Test Purpose	58
6.6.2.5a.2	Test Case	58
6.6.2.5a.3	Essential conformance	59
6.6.2.5a.4	Complete conformance	59
6.6.2.5a.5	Requirement Reference	59
6.6.2.6	Applicability (Release 8 and later releases GSM 400, T-GSM 810, GSM 900 and DCS 1800).....	59
6.6.2.6.1	Test Purpose	59
6.6.2.6.2	Test Case	60
6.6.2.6.3	Essential conformance	61
6.6.2.6.4	Complete conformance	62
6.6.2.6.5	Requirement Reference	63
6.6.2.7	Applicability (Release 8 and later releases GSM 700, GSM 850 and PCS 1900)	63
6.6.2.7.1	Test Purpose	63
6.6.2.7.2	Test Case	63
6.6.2.7.3	Essential conformance	64
6.6.2.7.4	Complete conformance	65
6.6.2.7.5	Requirement Reference	66
6.6.2.8	Applicability (Release 8 and later releases GSM 400, GSM 900 and DCS 1800).....	66
6.6.2.8.1	Test Purpose	66
6.6.2.8.2	Test Case	66
6.6.2.8.3	Essential conformance	67
6.6.2.8.4	Complete conformance	68
6.6.2.8.5	Requirement Reference	68
6.7	Intermodulation attenuation (GSM 400, GSM 900 and DCS 1800)	68
6.7.1	Test purpose.....	68
6.7.2	Test case	68
6.7.3	Essential Conformance	70
6.7.4	Complete conformance	71
6.7.5	Requirement reference	72
6.8	Intra Base Station System intermodulation attenuation.....	72
6.8.1	Test purpose.....	72
6.8.2	Test case	72
6.8.3	Essential conformance	73
6.8.4	Complete conformance	73
6.8.5	Requirement reference	74
6.9	Intra Base Station System intermodulation attenuation, MXM 850 and MXM 1900	74
6.9.1	Test purpose.....	74
6.9.2	Test cases	74
6.9.2.1	200 kHz carriers-only.....	74
6.9.2.2	200 kHz and ANSI-136 30 kHz carriers	75
6.9.3	Essential conformance	75
6.9.4	Complete conformance	75
6.9.5	Requirement reference	75
6.10	Intra Base Station System intermodulation attenuation, PCS 1900, GSM 850 and GSM 700.....	76
6.10.1	Test purpose.....	76
6.10.2	Test case	76
6.10.3	Essential conformance	77
6.10.4	Complete conformance	77
6.10.5	Requirement reference	77
6.11	Intermodulation attenuation (GSM 700, GSM 850, MXM 850, PCS 1900 and MXM 1900)	77
6.11.1	Test purpose.....	77
6.11.2	Test case	77
6.11.3	Essential Conformance	78
6.11.4	Complete conformance	80
6.11.5	Requirement reference	81
6.12	Wideband noise and intra BSS intermodulation attenuation in multicarrier operation	81
6.12.1	Test purpose.....	81
6.12.2	Test case	81
6.12.3	Essential conformance	83
6.12.4	Complete conformance	85

6.12.5	Requirement reference	85
7	Receivers	85
7.1	Static Layer 1 receiver functions (nominal error ratios).....	85
7.1.1	Test Purpose.....	85
7.1.2	Test Case.....	86
7.1.3	Essential conformance	88
7.1.4	Complete conformance	88
7.1.5	Requirement Reference.....	88
7.2	Erroneous Frame Indication Performance	89
7.2.1	Test Purpose.....	89
7.2.2	Test Case.....	89
7.2.3	Essential conformance	89
7.2.4	Complete conformance	89
7.2.5	Requirement reference	90
7.3	Static Reference Sensitivity Level.....	90
7.3.1	Test Purpose.....	90
7.3.2	Test Case.....	90
7.3.3	Essential conformance	94
7.3.4	Complete conformance	95
7.3.5	Requirements Reference	97
7.4	Multipath Reference Sensitivity Level	98
7.4.1	Test Purpose.....	98
7.4.2	Test Case.....	98
7.4.3	Essential conformance	104
7.4.4	Complete conformance	106
7.4.5	Requirement Reference.....	114
7.5	Reference interference level	114
7.5.1	Test Purpose.....	114
7.5.2	Test Case.....	114
7.5.3	Essential conformance	126
7.5.4	Complete conformance	131
7.5.5	Requirements Reference	144
7.6	Blocking Characteristics.....	144
7.6.1	Test Purpose.....	144
7.6.2	Test Case.....	144
7.6.3	Essential conformance	151
7.6.4	Complete conformance	152
7.6.5	Requirements reference	152
7.7	Intermodulation characteristics	152
7.7.1	Test Purpose.....	152
7.7.2	Test Case.....	153
7.7.3	Essential conformance	154
7.7.4	Complete conformance	155
7.7.5	Requirement Reference.....	155
7.8	AM suppression.....	155
7.8.1	Test Purpose.....	155
7.8.2	Test Case.....	155
7.8.3	Essential conformance	158
7.8.4	Complete conformance	158
7.8.5	Requirement Reference.....	158
7.9	Spurious emissions from the receiver antenna connector.....	159
7.9.1	Test Purpose.....	159
7.9.2	Test Case.....	159
7.9.3	Essential conformance	160
7.9.4	Complete conformance	160
7.9.5	Requirement Reference.....	160
8	Radiated spurious emissions	160
8.1	Test Purpose	160
8.2	Test Case	160
8.3	Essential conformance.....	162

8.4	Complete conformance.....	163
8.5	Requirement reference	163
9	Radio link management.....	163
9.1	General	163
9.2	Synchronization.....	163
9.2.1	Timing Tolerance.....	164
9.2.1.1	Test purpose	164
9.2.1.2	Test case.....	164
9.2.1.3	Essential conformance	164
9.2.1.4	Complete conformance	164
9.2.1.5	Requirement reference	165
9.3	Frame structure.....	165
9.3.1	BCCH Multiframe	165
9.3.1.1	Test purpose	165
9.3.1.2	Test case.....	165
9.3.1.3	Essential conformance	165
9.3.1.4	Complete conformance	165
9.3.1.5	Requirement reference	165
9.3.2	TDMA-frame structure	166
9.3.2.1	Test purpose	166
9.3.2.2	Test case.....	166
9.3.2.3	Essential conformance	166
9.3.2.4	Complete conformance	166
9.3.2.5	Requirement reference	166
9.4	Radio link measurements	166
9.4.1	Signal Strength.....	167
9.4.1.1	Measurement Accuracy.....	167
9.4.1.1.1	Test purpose	167
9.4.1.1.2	Test case	167
9.4.1.1.3	Essential conformance.....	167
9.4.1.1.4	Complete conformance.....	167
9.4.1.2	Selectivity of signal strength measurements	168
9.4.1.2.1	Test purpose	168
9.4.1.2.2	Test case	168
9.4.1.2.3	Essential conformance.....	169
9.4.1.2.4	Complete conformance.....	169
9.4.1.2.5	Requirement reference.....	169
9.4.2	Signal quality	170
9.4.2.1	Test purpose	170
9.4.2.2	Test case.....	170
9.4.2.3	Essential conformance	170
9.4.2.4	Complete conformance	170
9.4.2.5	Requirement reference	171
9.4.3	Idle channel signal level	171
9.4.3.1	Test purpose	171
9.4.3.2	Test case.....	171
9.4.3.3	Essential conformance	172
9.4.3.4	Complete conformance	172
9.4.3.5	Requirement reference	172
9.5	Adaptive frame alignment	172
9.5.1	Test purpose.....	172
9.5.2	Test case	173
9.5.3	Essential conformance	173
9.5.4	Complete conformance.....	173
9.5.5	Requirement reference.....	174
Annex A (informative): Testing of statistical parameters.....		175
A.1	General theoretical methodology	175
A.2	Detailed theoretical methodology	177

A.3	Limitations and corrections to the theoretical methodology	178
A.3.1	Independent errors	178
A.3.2	Gaussian distribution	178
A.3.3	Stationary random processes	178
A.3.4	Low error ratios	179
A.3.5	Total corrections	179
A.4	Alternative experimental methodology	179
A.5	Detailed definition of error events	180
Annex B (informative): Description of special test equipment.....		181
B.1	Base Station System Test Equipment (BSSTE)	181
B.1.1	Fading and multipath propagation simulator	181
B.2	Measurement set ups for TX intermodulation	181
B.2.1	Test set-up for Intermodulation Attenuation (6.7.)	181
B.2.1.1	RX-Band	182
B.2.1.2	Outside RX Band	182
B.2.2	Test set-up for Intra BSS Intermodulation Attenuation (6.8.)	183
B.2.2.1	RX-Band	183
B.2.2.2	TX-Band	183
Annex C (informative): Number of samples needed for statistical testing.....		184
C.1	GSM 900; Number of samples for testing	184
C.2	DCS 1800; Number of Samples for Testing	204
Annex D (informative): Change history		225
History		231

Foreword

This Technical Specification has been produced by the 3rd Generation Partnership Project (3GPP).

The contents of the present document are subject to continuing work within the TSG and may change following formal TSG approval. Should the TSG modify the contents of the present document, it will be re-released by the TSG with an identifying change of release date and an increase in version number as follows:

Version x.y.z

where:

- x the first digit:
 - 1 presented to TSG for information;
 - 2 presented to TSG for approval;
 - 3 or greater indicates TSG approved document under change control.
- y the second digit is incremented for all changes of substance, i.e. technical enhancements, corrections, updates, etc.
- z the third digit is incremented when editorial only changes have been incorporated in the document.

1 Scope

The present document specifies the Radio Frequency (RF) test methods and conformance requirements for GSM 400, GSM 700, T-GSM 810, GSM 900 and DCS 1800, PCS 1900, GSM 850, MXM 850 and MXM 1900 Base Station Systems (BSS)s. These have been derived from, and are consistent with, the core GSM specifications specified in the requirements reference subclause of each test with the exception that requirements expressed as a reference to regulatory documents (e.g. FCC) have not been included in the present document.

The present document is applicable to BSS meeting the requirements of either GSM Phase 2 or GSM Phase 2+. Unless otherwise stated, all tests are applicable to BSS meeting Phase 2 and/or Phase 2+ GSM requirements, because the requirements of the Phase 2 and Phase 2+ core GSM specifications which are referenced in the test are consistent. Most differences between Phase 2 and Phase 2+ requirements represent Phase 2+ features which are optional for the BSS to support.

For each test, two conformance requirements are specified:

- essential conformance requirements;
- complete conformance requirements.

Essential conformance requirements are those which are required:

- a) to ensure compatibility between the radio channels in the same cell;
- b) to ensure compatibility between cells, both co-ordinated and unco-ordinated;
- c) to ensure compatibility with existing systems in the same or adjacent frequency bands;
- d) to verify the important aspects of the transmission quality of the system.

Essential conformance requirements are sufficient to verify the performance of the equipment for radio type approval purposes, in countries where this is applicable. For GSM 700, GSM 850, MXM 850, PCS 1900 and MXM 1900 only the complete conformance requirements are applicable.

Complete conformance requirements may be tested to verify all aspects of the performance of a BSS. These requirements are intended to be used by manufacturers and operators to allow conformance and acceptance testing to be performed in a consistent manner; the tests to be performed should be agreed between the parties.

In some tests there are separate requirements for micro-BTS and BTS. If there is no separate requirement for a micro-BTS, the requirements for the BTS apply to a micro-BTS.

In Rel-7, higher symbol rate is introduced for EGPRS2-B. EGPRS2-A and all other channels use normal symbol rate. For definition of normal and higher symbol rate see 3GPP TS 45.004. All tests and requirements apply to both symbol rates except otherwise stated in the test.

In some tests there are separate requirements for multicarrier BTS. If there is no separate requirement for a multicarrier BTS, the requirements for the BTS apply to a multicarrier BTS.

In the present document, the reference point for RF connections (except for the measurement of mean transmitted RF carrier power) is the antenna connector, as defined by the manufacturer. The present document does not apply to repeaters or RF devices which may be connected to an antenna connector of a BSS, except as specified in subclause 4.10.

NOTE: The present document contains both essential conformance requirements and complete conformance requirements. Essential conformance requirements are those requirements which may be deemed sufficient for radio type approval purposes, complete conformance requirements cover all conformance aspects.

2 References

The following documents contain provisions which, through reference in this text, constitute provisions of the present document.

- References are either specific (identified by date of publication, edition number, version number, etc.) or non-specific.
- For a specific reference, subsequent revisions do not apply.
- For a non-specific reference, the latest version applies. In the case of a reference to a 3GPP document (including a GSM document), a non-specific reference implicitly refers to the latest version of that document *in the same Release as the present document*.

- [1] 3GPP TR 21.905: " Vocabulary for 3GPP Specifications ".
- [2] GSM 04.22: "Digital cellular telecommunications system (Phase 2+); Radio Link Protocol (RLP) for data and telematic services on the Mobile Station - Base Station System (MS - BSS) interface and the Base Station System - Mobile-services Switching Centre (BSS - MSC) interface".
- [3] GSM 05.01: "Digital cellular telecommunications system (Phase 2); Physical layer on the radio path; General description".
- [4] GSM 05.02 (ETS 300 574): "Digital cellular telecommunications system (Phase 2); Multiplexing and multiple access on the radio path".
- [5] GSM 05.03 (ETS 300 575): "Digital cellular telecommunications system (Phase 2); Channel coding".
- [6] GSM 05.04 (ETS 300 576): "Digital cellular telecommunications system (Phase 2); Modulation".
- [7] GSM 05.05 (ETS 300 577): "Digital cellular telecommunications system (Phase 2); Radio transmission and reception".
- [8] GSM 05.08 (ETS 300 578): "Digital cellular telecommunications system (Phase 2); Radio subsystem link control".
- [9] GSM 05.10 (ETS 300 579): "Digital cellular telecommunications system (Phase 2); Radio subsystem synchronization".
- [10] 3GPP TS 08.20: "Digital cellular telecommunications system (Phase 2); Rate adaption on the Base Station System - Mobile-services Switching Centre (BSS - MSC) interface".
- [11] ETSI EN 300 019-1: "Equipment Engineering (EE); Environmental conditions and environmental tests for telecommunications equipment Part 1-0: Classification of environmental conditions Introduction".
- [12] IEC 60 068-2: "Basic environmental testing procedures; Part 2: Tests".
- [13] IEC 60 721: "Classification of environmental conditions".
- [14] ETSI ETR 027: "Radio and Equipment Systems; methods of measurement for mobile radio equipment".
- [15] ETSI ETR 028: "Radio and Equipment Systems; Uncertainties in the measurement of mobile radio equipment characteristics".
- [16] ITU-R Rec. SM.329-7: "Spurious emissions"
- [17] 3GPP TS 05.05: " Digital cellular telecommunications system (Phase 2+); Radio transmission and reception ".
- [18] 3GPP TS 45.001: "Physical layer on the radio path; General description".
- [19] 3GPP TS 45.002: "Multiplexing and multiple access on the radio path".

- [20] 3GPP TS 45.003: "Channel coding".
- [21] 3GPP TS 45.004: "Modulation".
- [22] 3GPP TS 45.005: "Radio transmission and reception".
- [23] 3GPP TS 45.008: "Radio subsystem link control".
- [24] 3GPP TS 45.010: "Radio subsystem synchronization".
- [25] TIA/EIA-136-C: 'TDMA Third Generation Wireless'.
- [26] EN 300 019-1-3: "Equipment Engineering (EE): Environmental conditions and environmental tests for telecommunications equipment Part 1-3; Classification of environmental conditions, Stationary use at weather-protected locations".
- [27] EN 300 019-1-4: "Equipment Engineering (EE): Environmental conditions and environmental tests for telecommunications equipment Part 1-4; Classification of environmental conditions, Stationary use at non-weather-protected locations".
- [28] IEC 60 721-3-3 "Stationary use at weather protected locations".
- [29] IEC 60 721-3-4 "Stationary use at non weather protected locations".
- [30] 3GPP TS 24.022 'Radio Link Protocol (RLP) for circuit switched bearer and teleservices'.
- [31] 3GPP TS 48.020 'Rate adaption on the Base Station System - Mobile services Switching Centre (BSS - MSC) interface'.
- [32] 3GPP TS 25.113 'Base Station (BS) and repeater ElectroMagnetic Compatibility (EMC)'.
- [33] 3GPP TS 36.113 'E-UTRA - Base Station (BS) and repeater ElectroMagnetic Compatibility (EMC)'.

3 Definitions, abbreviations, frequency bands and channels

3.1 Definitions

For the purposes of the present document, the following terms and definitions apply.

8-PSK: modulation type as defined 3GPP TS 45.004 clause 3.

Carrier Frequency: centre of the ARFCN under test.

GMSK: modulation type as defined by 3GPP TS 45.004 clause 2.

GSM: unless otherwise specified, references to GSM include GSM 400, GSM 700, T-GSM 810, GSM 850, GSM 900, DCS1800, PCS 1900, MXM 850 and MXM 1900.

BSS: in the present document, the term BSS (or base station subsystem) applies to both a BTS and integrated BSS. If a separate BSC is required to perform tests on a BTS, the BSC may be regarded as test equipment and the environmental conditions of the BSC need not be controlled.

pico-BTS: as defined in 3GPP TS 45.005. In the present document, this also includes a BSS which incorporates a pico-BTS.

micro-BTS: as defined in 3GPP TS 05.05 and 3GPP TS 45.005. In the present document, this also includes a BSS which incorporates a micro-BTS.

Multicarrier BTS: defined as a class of BTS, characterized by the ability to, in addition to single carrier operation, process two or more carriers in common active components simultaneously, either in multicarrier transmitter only or, in both multicarrier transmitter and multicarrier receiver.

MXM: mixed Mode system. Mixed-mode is defined as a network that deploys both 30 kHz RF carriers and 200 kHz RF carriers in geographic regions where the Federal Communications Commission (FCC) or similar regulations are applied. In the present document MXM 850 and MXM 1900 are defined.

normal BTS: any BTS or BSS as defined by 3GPP TS 05.05 and 3GPP TS 45.005 which is not a micro-BTS or pico-BTS.

BSSTE: base Station System Test Equipment; see annex B.

manufacturer: in the present document, a reference to a manufacturer shall also apply to an agent of the manufacturer.

T-GSM 810: Trunking GSM 810 band. For T-GSM 810 the requirements for GSM 900 shall apply, apart for those parameters for which a separate requirement exists.

P-GSM: primary GSM 900 band.

E-GSM: extended GSM 900 band (includes P-GSM band).

R-GSM: Railways GSM 900 band (includes P-GSM band and E-GSM band).

GSM 400: unless otherwise specified, references to GSM 400 include GSM 450 and GSM 480 band.

GSM 700: unless otherwise specified, references to GSM 700 include GSM 710 and GSM 750 band.

Relevant TX band (or relevant transmit band): transmit band defined in subclause 3.3.1 for the frequency band of BTS declared by the manufacturer.

Relevant RX band (or relevant receive band): receive band defined in subclause 3.3.1 for the frequency band of BTS declared by the manufacturer.

Operating band: transmit and receive operating bands together comprise the frequency band supported by the BSS; (see subclause 4.2).

Base Station RF bandwidth: The instantaneous bandwidth in which a multicarrier BTS transceiver transmits or transmits and receives multiple carriers simultaneously.

Maximum Base Station RF bandwidth: The maximum bandwidth in which a multicarrier BTS transceiver transmits or transmits and receives multiple carriers simultaneously.

Maximum Transmit Filter bandwidth: The maximum bandwidth of the duplexer or the transmit filter used in a multicarrier BTS when transmitting carriers simultaneously.

Circuit switched logical channels: all the standard GSM logical channels, including traffic channels (TCH), common control channels (RACH) and dedicated control channels (SDCCH, SACCH).

Packet switched logical channels: all the General Packet Radio Services (GPRS) packet data logical channels, including packet traffic channels (PDTCH and PACCH) and packet common control channels (PRACH).

GPRS: any subset of the packet traffic channels PDTCH/CS-1 to CS-4 and related control channels.

EGPRS: any subset of the packet traffic channels PDTCH/MCS-1 to MCS-9 and related control channels.

ECSD: any subset of the E-TCH traffic channels and related control channels.

EGPRS2-A: packet traffic channels utilizing any subset of the packet traffic channels MCS-1 to 6 and PDTCH/UAS-7 to UAS-11 in uplink, together with MCS-1 to 4 and PDTCH/DAS-5 to DAS-12 in downlink, and related control channels. In addition, MCS-7 and MCS-8 may be used in downlink when either the USF or the PAN or both are addressed to one or more EGPRS mobile stations.

EGPRS2-B: packet traffic channels utilizing any subset of the packet traffic channels MCS-1 to 4 and PDTCH/UBS-5 to UBS-12 in uplink, together with MCS-1 to 4 and PDTCH/DBS-5 to DBS-12 in downlink, and related control channels. In addition, MCS-6 to MCS-9, DAS-5, DAS-6, DAS-8, DAS-9, DAS-10 pad, DAS-11, and DAS-12pad may be used in downlink under the conditions specified in 3GPP TS 44.060.

EGPRS2: Any of EGPRS2-A and EGPRS2-B

16-QAM: modulation type as defined 3GPP TS 45.004 clause 4 for EGPRS2-A and clause 5 for EGRPS2-B.

32-QAM: modulation type as defined 3GPP TS 45.004 clause 4 for EGPRS2-A and clause 5 for EGRPS2-B.

QPSK: modulation type as defined 3GPP TS 45.004 clause 5, used in EGPRS2-B.

VAMOS mode: as defined in 3GPP TS 45.001 clause 13.1.

AQPSK: modulation type as defined in 3GPP TS 45.004 clause 6.

VAMOS sub-channel: as defined in 3GPP TS 45.001 clause 13.1.

SCPIR_UL: as defined in 3GPP TS 45.005 clause 1.3.

SCPIR_DL: as defined in 3GPP TS 45.004 clause 6.

Minimum carrier frequency spacing: minimum spacing between the centre frequencies of simultaneously transmitted or received GSM carriers of a BTS belonging to the multicarrier BTS class. The minimum carrier frequency spacing is 600 kHz.

Sub-block: This is one contiguous allocated block of spectrum for use by the same Base Station. There may be multiple instances of sub-blocks within an RF bandwidth.

Sub-block bandwidth: The bandwidth of one sub-block.

Sub-block gap: A frequency gap between two consecutive sub-blocks within an RF bandwidth, where the RF requirements in the gap are based on co-existence for un-coordinated operation.

Enclosure port: physical boundary of the apparatus through which electromagnetic fields may radiate or impinge.

Port: particular interface, of the specified equipment (apparatus), with the electromagnetic environment

Radio digital unit: equipment which contains base band and functionality for controlling radio unit

Radio equipment: equipment which contains radio digital unit and radio unit

Radio unit: equipment which contains transmitter and receiver

3.2 Abbreviations

Unless otherwise stated, abbreviations used in the present document shall have the meaning given in 3GPP TR 21.905.

AQPSK	Adaptive Quadrature Phase Shift Keying
B	"Bottom"; the lowest frequency on which a test is performed, i.e. within the operating RX and TX band respectively
BTTI	Basic Transmission Time Interval
FANR	Fast Ack/Nack Reporting
M	"Middle"; a frequency in the middle portion of the operating band of the BSS on which a test is performed
PAN	Piggy-backed Ack/Nack message
RTTI	Reduced Transmission Time Interval
SCPIR	Sub-Channel Power Imbalance Ratio
SCPIR_UL	Sub-Channel Power Imbalance Ratio on Uplink
SCPIR_DL	Sub-Channel Power Imbalance Ratio on Downlink
SFH	Slow Frequency Hopping
T	"Top"; the highest frequency on which a test is performed, i.e. within the operating RX and TX band respectively
TRX	Transceiver
VAMOS	Voice services over Adaptive Multi-user Channels on One Slot
VUTS	VAMOS Uplink Test Scenario

3.3 Frequency bands and channels

3.3.1 Frequency bands

The frequency bands for the Base Station System are given in table 3.3-1.

Table 3.3-1: Frequency bands for GSM Base Station Systems

	TX:	RX:
P-GSM900	935 MHz to 960 MHz	890 MHz to 915 MHz
DCS1800	1 805 MHz to 1 880 MHz	1 710 MHz to 1 785 MHz
E-GSM900	925 MHz to 960 MHz	880 MHz to 915 MHz
R-GSM900	921 MHz to 960 MHz	876 MHz to 915 MHz
GSM 450	460,4 MHz to 467,6 MHz	450,4 MHz to 457,6 MHz
GSM 480	488,8 MHz to 496 MHz	478.8 MHz to 486 MHz
GSM 850 and MXM 850	869 MHz to 894 MHz	824 MHz to 849 MHz
PCS 1900 and MXM 1900	1 930 MHz to 1 990 MHz	1 850 MHz to 1 910 MHz
GSM 710	728 MHz to 746 MHz	698 MHz to 716 MHz
GSM 750	747 MHz to 763 MHz	777 MHz to 793 MHz
T-GSM 810	851 MHz to 866 MHz	806 MHz to 821 MHz

NOTE: It is up to the operator to choose any subset of these bands (or the complete band) on a location basis within a frequency band assigned to the operator by the authority responsible for frequency management issues.

3.3.2 Channels and channel numbering

The channel numbers (ARFCN) for the carrier frequencies (RF channels) within the frequency bands defined above (as defined in 3GPP TS 45.005), are given in table 3.3-2. $F_l(n)$ is the frequency of the centre of the RF channel n in the lower band (=RX) and $F_u(n)$ the corresponding frequency in the upper band (=TX).

Table 3.3-2: Channel Numbering: Frequencies are in MHz

P-GSM900	$F_l(n)=890+0,2*n$	$1 \leq n \leq 124$	$F_u(n)=F_l(n)+45$
E-GSM900	$F_l(n)=890+0,2*n$ $F_l(n)=890+0,2*(n-1-024)$	$0 \leq n \leq 124$ $975 \leq n \leq 1023$	$F_u(n)=F_l(n)+45$
R-GSM900	$F_l(n)=890+0,2*n$ $F_l(n)=890+0,2*(n-1-024)$	$0 \leq n \leq 124$ $955 \leq n \leq 1023$	$F_u(n)=F_l(n)+45$
DCS1800	$F_l(n)=1\,710,2+0,2*(n-512)$	$512 \leq n \leq 885$	$F_u(n)=F_l(n)+95$
PCS 1900 and MXM 1900	$F_l(n)=1\,850,2+0,2*(n-512)$	$512 \leq n \leq 810$	$F_u(n)=F_l(n)+80$
GSM 450	$F_l(n)=450,6+0,2*(n-259)$	$259 \leq n \leq 293$	$F_u(n)=F_l(n)+10$
GSM 480	$F_l(n)=479+0,2*(n-306)$	$306 \leq n \leq 340$	$F_u(n)=F_l(n)+10$
GSM 850 and MXM 850	$F_l(n)=824,2+0,2*(n-128)$	$128 \leq n \leq 251$	$F_u(n)=F_l(n)+45$

The channel numbers for the carrier frequencies within the T-GSM 810 band can only be indicated by dynamic ARFCN mapping (see 3GPP TS 45.005), and are given in Table 3.3-3.

Table 3.3-3: Channel Numbering: Frequencies are in MHz

T-GSM 810	$F_l(n)=806,2+0,2*(n-x+y)$	$x \leq n \leq x+z$	$F_u(n)=F_l(n)+45$
GSM 710	$F_l(n)=698,2+0,2*(n-x+y)$	$x \leq n \leq x+z$	$F_u(n)=F_l(n)+30$
GSM 750	$F_l(n)=747,2+0,2*(n-x+y)$	$x \leq n \leq x+z$	$F_u(n)=F_l(n)+30$

where x = ARFCN_FIRST, y = BAND_OFFSET and z = ARFCN_RANGE (see 3GPP TS 44.018).

4 General test conditions and declarations

The requirements of this clause apply to all tests in the present document, when applicable.

The general conditions during the tests should be according to the relevant parts of ETR 027 (methods of measurement for mobile radio equipment) with the exceptions and additions defined in the individual tests.

Many of the tests in the present document measure a parameter relative to a value which is not fully specified in the GSM specifications. For these tests, the conformance requirement is determined relative to a nominal value specified by the manufacturer.

Certain functions of a BTS are optional in the GSM specifications.

When specified in a test, the manufacturer shall declare the nominal value of a parameter, or whether an option is supported.

4.1 Output power and determination of power class

The manufacturer shall declare the rated maximum power per TRX for each supported modulation. For a micro or pico-BTS, this shall be specified at the antenna connector. For a normal BTS, it shall be stated whether this is specified at the input to the combiner or at the antenna connector of the BSS.

For BTS belonging to a multicarrier BTS class, the manufacturer shall declare the maximum output power per carrier in case that all carriers are operated at the same nominal output power. The declaration shall be given for each modulation and for each supported number of carriers up to the maximum number on each antenna port. Additionally, the maximum total power supported shall be declared.

For a micro-BTS, the class of the micro-BTS shall be determined from the declared maximum power, according to table 4.1-1. Where applicable, the manufacturer shall declare whether the BTS meets the requirements of a micro or pico-BTS.

For a BTS supporting other modulations as well (8-PSK, 16-QAM, 32-QAM, QPSK, AQPSK) or higher symbol rate the manufacturer shall declare the maximum output power capability for GMSK and each other supported combination of modulation and symbol rate. The TRX power class, the class of a micro-BTS or a pico-BTS is defined by the highest output power capability for any modulation.

For a BTS supporting AQPSK modulation, the manufacturer shall declare the smallest and largest supported absolute SCPIR_DL value (in dB). Transmitter measurements with AQPSK shall be based on these values.

Table 4.1-1: Micro and pico-BTS Power Classes

TRX power class	GSM 900, GSM 850, MXM 850 and GSM 700 micro and pico-BTS Maximum output power	DCS1800, PCS 1900 and MXM 1900 micro and pico-BTS Maximum output power
M1	(>19)-24 dBm	(>27)-32 dBm
M2	(>14)-19 dBm	(>22)-27 dBm
M3	(>9)-14 dBm	(>17)-22 dBm
P1	(>13)-20 dBm	(>16)-23 dBm

NOTE: For a normal BTS, the TRX power class can be determined from the manufacturers declared output power per TRX measured at the input to the combiner, according to the tables of TRX power classes in 3GPP TS 45.005. The test requirements for a normal BTS do not vary in this [TS] with TRX power classes. The definition of TRX power class only relates to the declared power per TRX and does not impose any requirement on the measured output power of the BTS.

4.2 Specified frequency range

The manufacturer shall declare:

- which of the frequency bands defined in subclause 3.3.1 are supported by the BSS; a BSS may support DCS 1800, GSM 450, GSM 480, PCS 1900, MXM 1900, GSM 850, MXM 850, GSM 700, T-GSM 810 and one of the GSM 900 bands, but shall not be defined as supporting more than one of the GSM 900 bands;
- the frequency range within the above frequency band(s) supported by the BSS; This frequency range comprises the transmit and receive operating bands.
- in case of multicarrier BTS, the maximum Base Station RF bandwidth per transmit and receive antenna connector supported by the BSS.
- in case of multicarrier BTS, the maximum Transmit Filter bandwidth supported by the BSS.

Many tests in the present document are performed with appropriate frequencies in the bottom, middle and top of the operating frequency band of the BTS. These are denoted as RF channels B (bottom), M (middle) and T (top).

When a test is performed by a test laboratory, the ARFCNs to be used for RF channels B, M and T shall be specified by the laboratory. The laboratory may consult with operators, the manufacturer or other bodies.

When a test is performed by a manufacturer, the ARFCNs to be used for RF channels B, M and T may be specified by an operator.

4.3 Frequency hopping

The Manufacturer shall declare whether the BSS supports Slow Frequency Hopping (SFH) and if yes, which basic implementation or implementations is supported. If SFH is supported the BSS shall be able to switch to any frequency in its operating band on a time slot per time slot basis. For multicarrier BTSs in the BSS, it is sufficient to be able to switch to any frequency within the maximum Base Station RF bandwidth on a time slot per time slot basis.

Two basic implementations of SFH are possible:

- a) baseband frequency hopping: frequency hopping is done by multiplexing the data of the logical channels to different TRXs according to the hopping scheme. The TRXs are fixed tuned to a dedicated ARFCN;
- b) synthesizer frequency hopping: frequency hopping is done by tuning the TRX on a timeslot per timeslot basis. The logical channels are dedicated to a hopping TRX.

The detailed description of the frequency hopping scheme is described in 3GPP TS 45.002.

4.4 RF power control

RF power control functions ("dynamic power control") may optionally be implemented in GSM Base Station Systems according to 3GPP TS 45.008 as an operator choice. If implemented, the BSS shall be able to hop between any defined power level on a time slot per time slot basis. The manufacturer shall declare how many static power steps and how many dynamic steps are supported by the BSS. The number of static power steps and the total number of power control steps may be different for GMSK and other modulations (8-PSK, 16-QAM, 32-QAM, QPSK, AQPSK).

4.5 Downlink discontinuous transmission (DTX)

Downlink discontinuous transmission (DTX), as defined in the GSM 06-series of specifications for full-rate speech channels and in 3GPP TS 24.022 [30] and 3GPP TS 48.020 [31] for non-transparent data, may optionally be implemented in the downlink BSS (transmitter) as an operator choice. All requirements in the present document, unless otherwise stated, apply whether downlink DTX is used or not.

4.6 Test environments

For each test in the present document, the environmental conditions under which the BSS is to be tested are defined:

4.6.1 Normal test environment

When a normal test environment is specified for a test, the test should be performed under any combination of conditions between the minimum and maximum limits stated in table 4.6-1.

Table 4.6-1: Limits of conditions for Normal Test Environment

Condition	Minimum	Maximum
Barometric pressure	86 kPa	106 kPa
Temperature	15°C	30°C
Relative Humidity	20 %	85 %
Power supply	Nominal, as declared by the manufacturer	
Vibration	Negligible	

The ranges of barometric pressure, temperature and humidity represent the maximum variation expected in the uncontrolled environment of a test laboratory. If it is not possible to maintain these parameters within the specified limits, the actual values shall be recorded in the test report.

NOTE: This may, for instance, be the case for measurements of radiated emissions performed on an open field test site.

4.6.2 Extreme test environment

The manufacturer shall declare one of the following:

- the equipment class for the equipment under test, as defined in EN 300 019-1-3 , (Equipment Engineering (EE) [26]; Environmental conditions and environmental test for telecommunications equipment, Part 1-3: Classification of environmental conditions, Stationary use at weather protected locations);
- the equipment class for the equipment under test, as defined in EN 300 019-1-4 , (Equipment Engineering (EE) [27]; Environmental conditions and environmental test for telecommunications equipment, Part 1-4: Classification of environmental conditions, Stationary use at non-weather protected locations);
- for equipment that does not comply to an EN 300 019-1 class [11], the relevant classes from IEC 60 721 [13] documentation for Temperature, Humidity and Vibration shall be declared, as defined in IEC 60 721-3-3 "Stationary use at weather protected locations" [28] or IEC 60 721-3-4 "Stationary use at non weather protected locations" [29] respectively.

NOTE: Reduced functionality for conditions that fall out side of the standard operational conditions are not tested in the present document. These may be stated and tested separately.

4.6.2.1 Extreme temperature

When an extreme temperature test environment is specified for a test, the test shall be performed at the standard minimum and maximum operating temperatures defined by the manufacturer's declaration for the equipment under test.

Minimum temperature:

- The test shall be performed with the environmental test equipment and methods of inducing the required environmental phenomena into the equipment, conforming to the test procedure of IEC 60068-2-1, Environmental Testing, Part 2: Tests - Tests A: Cold [12]. The equipment shall be maintained at the stabilized condition for the duration of the test sequence.

Maximum temperature:

- The test shall be performed with the environmental test equipment and methods of inducing the required environmental phenomena in to the equipment, conforming to the test procedure of IEC 60068-2-2 (Environmental Testing, Part 2: Tests - Tests Bd Dry heat) [12]. The equipment shall be maintained at the stabilized condition for the duration of the test sequence.

NOTE: It is recommended that the equipment is made fully operational prior to the equipment being taken to its lower operating temperature.

4.6.3 Vibration

When vibration conditions are specified for a test, the test shall be performed while the equipment is subjected to a vibration sequence as defined by the manufacturers declaration for the equipment under test. This shall use the environmental test equipment and methods of inducing the required environmental phenomena in to the equipment, conforming to the test procedure of IEC 60068-2-6, Environmental Testing, Part 2: Tests - Test Fc and guidance [12]: Vibration (Sinusoidal) or IEC 60068-2-64, Test Fh: Vibration broad-band random (digital control) and guidance. Other environmental conditions shall be within the ranges specified in subclause 4.6.1, Normal test environment.

NOTE: The higher levels of vibration may induce undue physical stress in to equipment after a prolonged series of tests. The testing body should only vibrate the equipment during the RF measurement process.

4.6.4 Power supply

When extreme power supply conditions are specified for a test, the test shall be performed at the standard upper and lower limits of operating voltage defined by the manufacturer's declaration for the equipment under test.

Upper voltage limit

The equipment shall be supplied with a voltage equal to the upper limit declared by the manufacturer (as measured at the input terminals to the equipment). The tests shall be carried out at the steady state minimum and maximum temperature limits declared by the manufacturer for the equipment, to the methods described in IEC 60 68-2-1 Test Ab/Ad: Cold and IEC 60068-2-2 Test Bb/Bd: Dry Heat [12].

Lower voltage limit

The equipment shall be supplied with a voltage equal to the lower limit declared by the manufacturer (as measured at the input terminals to the equipment). The tests shall be carried out at the steady state minimum and maximum temperature limits declared by the manufacturer for the equipment, to the methods described in IEC 60068-2-1 [12] Test Ab/Ad: Cold and IEC 60 068-2-2 Test Bb/Bd: Dry Heat [12].

4.7 Acceptable uncertainty of measurement equipment

The maximum acceptable uncertainty of measurement equipment is specified separately for each test, where appropriate. The measurement equipment shall enable the stimulus signals in the test case to be adjusted to within the specified tolerance, and the conformance requirement to be measured with an uncertainty not exceeding the specified values. All tolerances and uncertainties are absolute values, unless otherwise stated.

For the test methods, according to the present document, the measurement uncertainty figures shall be calculated in accordance with ETR 028 and shall correspond to an expansion factor (coverage factor) $k = 1,96$ or $k = 2$ (which provide confidence levels of respectively 95% and 95,45% in the case where the distributions characterising the actual measurement uncertainties are normal (Gaussian).

Subclause 4.6, Test environments:

Pressure	± 5 kPa
Temperature	± 2 degrees
Relative Humidity	± 5 %
DC Voltage	$\pm 1,0$ %
AC Voltage	$\pm 1,5$ %
Vibration	10 %
Vibration frequency	0,1 Hz

The above values shall apply unless the test environment is controlled and the specification for the control of the test environment specifies the uncertainty for the parameter.

Transmitter

Subclause 6.2, Modulation accuracy:

Conformance requirement:

Frequency, GMSK	± 10 Hz ± 5 Hz for GSM 400
Phase	1,5 degree rms 5 degrees peak
EVM	$-(0,75 + 0,025\text{RMS_EVM}) - +(0,75 + 0,025\text{RMV_EVM})$ % RMS ± 4 % for individual measurement samples
Origin Offset suppression	$\pm 1,5$ dB
Frequency, 8-PSK	± 16 Hz
16-QAM	± 6 Hz
32-QAM	± 6 Hz
QPSK	± 6 Hz
AQPSK	± 6 Hz

NOTE 1: The value of the RMS EVM specification is a function of the value of RMS_EVM being measured. The asymmetric specification results from the RMS EVM minimisation method used for parameter estimation (see 3GPP TS 45.005, Annex G). This method of measurement for RMS EVM always produces a result that is lower than the actual value of RMS EVM.

NOTE 2: The value for individual EVM samples assumes a Rayleigh distribution of measurement errors. It represents the maximum 95th percentile value test equipment should return when measuring a signal without error.

Subclause 6.3, Mean transmitted RF carrier power:

Conformance requirement:

RF power, for static power step 0	$\pm 1,0$ dB
Relative RF Power, for other power steps	$\pm 0,7$ dB

Subclause 6.4, Transmitted RF carrier power versus time:

Conformance requirement

RF power (0 dB reference)	$\pm 1,0$ dB
RF power relative to 0 dB reference	± 10 dB

Subclause 6.5.1, Spectrum due to modulation and wideband noise:

Conformance requirement

RF power (absolute limit values)	$\pm 1,0$ dB
----------------------------------	--------------

NOTE 1: This may require calibration of the power levels corresponding to the limit values.

Relative RF power:

Offset from carrier, MHz	Power difference, dB	Uncertainty of relative power, dB
$\delta f \leq 0.1$ MHz	All	$\pm 0,5$ dB
0.1 MHz $< \delta f \leq 1.8$ MHz	< 50 dB	$\pm 0,7$ dB
0.1 MHz $< \delta f \leq 1.8$ MHz	≥ 50 dB	$\pm 1,5$ dB
> 1.8 MHz	All	$\pm 2,0$ dB

Subclause 6.5.2, Switching transients spectrum:

Conformance requirement:

RF power: $\pm 1,5$ dB

Relative RF power:

Power difference < 50 dB $\pm 0,7$ dB

Power difference ≥ 50 dB $\pm 1,5$ dB

Subclause 6.6.1, Conducted spurious emissions from the transmitter antenna connector, inside the BTS transmit band:

Conformance requirement:

RF power: $\pm 1,5$ dB

Subclause 6.6.2, Conducted spurious emissions from the transmitter antenna connector, outside the BTS transmit band:

Conformance requirement:

Conformance requirement i) (in the receive band of the BSS):

RF power ± 3 dB

Conformance requirements ii), iii) and iv) (elsewhere):

RF power:

$f \leq 2$ GHz $\pm 1,5$ dB

2 GHz $< f \leq 4$ GHz $\pm 2,0$ dB

$f > 4$ GHz $\pm 4,0$ dB

Subclause 6.7, Intermodulation attenuation and

Subclause 6.8, Intra base station system intermodulation attenuation:

Test case:

Relative RF power (of injected signal); $\pm 1,5$ dB

Conformance requirement (outside RX band):

RF power; absolute limit values $\pm 1,5$ dB

RF power, relative measurements $\pm 2,0$ dB

Conformance requirement (inside RX band):

RF power; absolute limit values $+4$ dB - 3 dB

NOTE 2: The positive limit for uncertainty is greater than the negative limit because the measurement result can be increased (but not decreased) due to intermodulation products within the measurement apparatus.

Receiver

Where a measurement uncertainty of +5 dB -0 dB is specified for an input signal, the measured value of the input signal should be increased by an amount equal to the uncertainty with which it can be measured. This will ensure that the true value of the input signal is not below the specified nominal.

Subclause 7.1, Static layer 1 receiver functions:

Test case

RF power, lower limit	+5 - 0 dB
RF power, -40 dBm nominal	±2,5 dB
RF power, -23 and -15 dBm nominal	±1,5 dB

Subclause 7.2, Erroneous frame indication performance:

Test case:

RF Power	+5 - 0 dB
----------	-----------

Subclause 7.3, Static reference sensitivity level:

Test case:

RF power	±1,0 dB
Relative RF power (adjacent timeslots)	±3,0 dB

Subclause 7.4, Multipath reference sensitivity level:

Test case:

RF power	±1,5 dB
Relative RF power	±3,0 dB

Subclause 7.5, Reference interference level:

Test case:

RF power	+5 - 0 dB
Relative RF power	±1,0 dB

NOTE 3: The measurement uncertainty for a faded (multipath) input signal may depend on the time taken to average the power of the b signal from the fader. It may be possible to reduce the measurement time by measuring the power with the fader set to the same class of fade profile, but with an increased fade rate.

Subclause 7.6, Blocking characteristics:

Test case:

RF power, wanted signal	±1,0 dB
RF power, interfering signal;	
$f \leq 2$ GHz	±0,7 dB
2 GHz < $f \leq 4$ GHz	±1,5 dB
$f > 4$ GHz	±3,0 dB

Subclause 7.7, Intermodulation characteristics and subclause 7.8 AM suppression:

Test case:

RF power, wanted signal $\pm 1,0$ dB

RF power, interfering signals $\pm 0,7$ dB

Subclause 7.9, Spurious emissions from the receiver antenna connector:

Conformance requirement:

RF power;

$f \leq 2$ GHz $\pm 1,5$ dB

2 GHz $< f \leq 4$ GHz $\pm 2,0$ dB

$f > 4$ GHz $\pm 4,0$ dB

Clause 8, Radiated spurious emissions:

Conformance requirement:

RF power; $\pm 6,0$ dB

Clause 9, Radio link management:

Test case:

RF power $\pm 1,0$ dB

Relative RF power $\pm 0,7$ dB

Conformance requirement:

Timing difference single measurement $\pm 1/4$ bit

average of 100 measurements $\pm 0,1$ bit

4.8 Interpretation of measurement results

The measurement value related to the corresponding limit shall be used to decide whether an equipment meets a requirement in the present document.

The measurement uncertainty for the measurement of each parameter shall be included in the test report.

The recorded value for the measurement uncertainty shall be, for each measurement, equal to or lower than the appropriate figure in subclause 4.7 of the present document.

NOTE: This procedure is recommended in ETR 028.

If the measurement apparatus for a test is known to have a measurement uncertainty greater than that specified in subclause 4.7, it is still permitted to use this apparatus provided that an adjustment is made to the measured value as follows.

The adjustment is made by subtracting the modulus of the specified measurement uncertainty in subclause 4.7 from the measurement uncertainty of the apparatus. The measured value is then increased or decreased by the result of the subtraction, whichever is most unfavourable in relation to the limit.

4.9 Selection of configurations for testing

Most tests in the present document are only performed for a subset of the possible combinations of test conditions. For instance:

- not all TRXs in the configuration may be specified to be tested;
- only one RF channel may be specified to be tested;

- only one timeslot may be specified to be tested.

When a test is performed by a test laboratory, the choice of which combinations are to be tested shall be specified by the laboratory. The laboratory may consult with operators, the manufacturer or other bodies.

When a test is performed by a manufacturer, the choice of which combinations are to be tested may be specified by an operator.

4.10 BTS Configurations

The present document has been written to specify tests for the standard configurations of BTS which have been assumed in GSM requirements specifications, In particular GSM 05.01, 05.02 and 05.05. However, there are other configurations of BTS which comply with these specifications, but for which the application of these specifications is not fully defined. For some such configurations there may be alternate ways to apply the requirements of this specification to testing of the configuration, or some variation in the test method may be necessary. It may therefore be necessary for the parties to the testing to reach agreement over the method of testing in advance.

If the BSS is supplied in a number of different environmental enclosures or configurations, it may not be necessary to test RF parameters for each environmental configuration, provided that it can be demonstrated that the equipment has been tested at the worst internal environmental conditions

If a BTS is supplied with a number of different configurations of passive TX antenna combiners, there may be alternate ways to demonstrate the compliance rather than performing the measurements for each configuration. As an example, the worst case configuration of the antenna combiners for a given test shall as a minimum be used for this purpose.

Where alternative interpretations of this specification are possible for a BSS configuration under test, the interpretation which has been adopted in performing the test shall be recorded with the test results.

Where variation in the test method within the present document has been necessary to enable a BSS configuration to be tested, the variation in the test method which has been made in performing the test shall be recorded with the test results. Where possible, agreement should be reached in advance about the nature of such a variation with any party who will later receive the test results.

Possible interpretations of the present document for some common configurations are given in the following subclauses.

4.10.1 Receiver diversity

- i) For the tests in clause 7 of the present document, the specified test signals may be applied to one receiver antenna connector, with the remaining receiver antenna connectors being terminated with 50 ohms.

or

- ii) For the tests in clause 7 of the present document, the specified test signals may be simultaneously applied to each of the receiver antenna connectors.

4.10.2 Duplexers

The requirements of the present document shall be met with a duplexer fitted, if a duplexer is supplied as part of the BSS. If the duplexer is supplied as an option by the manufacturer, sufficient tests should be repeated with and without the duplexer fitted to verify that the BSS meets the requirements of the present document in both cases.

The following tests should be performed with the duplexer fitted, and without it fitted if this is an option.

- 1) Subclause 6.3, Mean transmitted RF power, for the highest static power step only, if this is measured at the antenna connector.
- 2) Subclause 6.6.2, Conducted spurious emissions from the transmitter antenna connector; outside the BTS transmit band.
- 3) Subclause 6.8, Intra base station system intermodulation attenuation.

- 4) Subclause 7.4, Multipath reference sensitivity; for the testing of essential conformance, the ARFCNs should be selected to minimize intermodulation products from the transmitters falling in receive channels.

The remaining tests may be performed with or without the duplexer fitted.

NOTE 1: When performing receiver tests with a duplexer fitted, it is important to ensure that the output from the transmitters does not affect the test apparatus. This can be achieved using a combination of attenuators, isolators and filters.

NOTE 2: When duplexers are used, intermodulation products will be generated, not only in the duplexer but also in the antenna system. The intermodulation products generated in the antenna system are not controlled by ETSI specifications, and may degrade during operation (e.g. due to moisture ingress). Therefore, to ensure continued satisfactory operation of a BSS, an operator will normally select ARFCNs to minimize intermodulation products falling on receive channels. For testing of complete conformance, an operator may specify the ARFCNs to be used.

4.10.3 Power supply options

If the BSS is supplied with a number of different power supply configurations, it may not be necessary to test RF parameters for each of the power supply options, provided that it can be demonstrated that the range of conditions over which the equipment is tested is at least as great as the range of conditions due to any of the power supply configurations.

This applies particularly if a BSS contains a DC rail which can be supplied either externally or from an internal mains power supply. In this case, the conditions of extreme power supply for the mains power supply options can be tested by testing only the external DC supply option. The range of DC input voltages for the test should be sufficient to verify the performance with any of the power supplies, over its range of operating conditions within the BTS, including variation of mains input voltage, temperature and output current.

4.10.4 Ancillary RF amplifiers

Ancillary RF amplifier: a piece of equipment, which when connected by RF coaxial cables to the BTS, has the primary function to provide amplification between the transmit and/or receive antenna connector of a BTS and an antenna without requiring any control signal to fulfil its amplifying function.

The requirements of the present document shall be met with the ancillary RF amplifier fitted. At tests according to clauses 6 and 7 for TX and RX respectively, the ancillary amplifier is connected to the BTS by a connecting network (including any cable(s), attenuator(s), etc.) with applicable loss to make sure the appropriate operating conditions of the ancillary amplifier and the BTS. The applicable connecting network loss range is declared by the manufacturer. Other characteristics and the temperature dependence of the attenuation of the connecting network are neglected. The actual attenuation value of the connecting network is chosen for each test as one of the applicable extreme values. The lowest value is used unless otherwise stated.

Sufficient tests should be repeated with the ancillary amplifier fitted and, if it is optional, without the ancillary RF amplifier to verify that the BSS meets the requirements of the present document in both cases.

When testing for essential conformance, the following tests should be repeated with the optional ancillary amplifier fitted according to the table below, where x denotes that the test is applicable:

	Subclause	TX amplifier only	RX amplifier only	TX/RX amplifiers combined (Note)
Receiver tests	7.3		x	x
	7.6		x	x
	7.7		x	x
	7.9		x	
Transmitter tests	6.3	x		x
	6.5 (6.5.1 only)	x		x
	6.6	x		x
	6.7	x		x
	6.8	x		x

NOTE: Combining can be by duplex filters or any other network. The amplifiers can either be in RX or TX branch or in both. Either one of these amplifiers could be a passive network.

For receiver tests only testing on TCH/FS is required

In test according to subclause 7.3 and 6.3 highest applicable attenuation value is applied.

4.10.5 BSS using antenna arrays

A BSS may be configured with a multiple antenna port connection for some or all of its TRXs or with an antenna array related to one cell (not one array per TRX). This section applies to a BSS which meets at least one of the following conditions:

- the transmitter output signals from one or more TRX appear at more than one antenna port; or
- there is more than one receiver antenna port for a TRX or per cell and an input signal is required at more than one port for the correct operation of the receiver (NOTE: diversity reception does not meet this requirement) thus the outputs from the transmitters as well as the inputs to the receivers are directly connected to several antennas (known as „air combining“); or
- transmitters and receivers are connected via duplexers to more than one antenna.

If a BSS is used, in normal operation, in conjunction with an antenna system which contains filters or active elements which are necessary to meet the GSM requirements, the tests of essential conformance may be performed on a system comprising the BSS together with these elements, supplied separately for the purposes of testing. In this case, it must be demonstrated that the performance of the configuration under test is representative of the system in normal operation, and the conformance assessment is only applicable when the BSS is used with the antenna system.

For testing of essential conformance of such a BSS, the following procedure may be used.

Receiver tests

For each test, the test signals applied to the receiver antenna connectors shall be such that the sum of the powers of the signals applied equals the power of the test signal(s) specified in the test.

An example of a suitable test configuration is shown in figure 4.10-1.

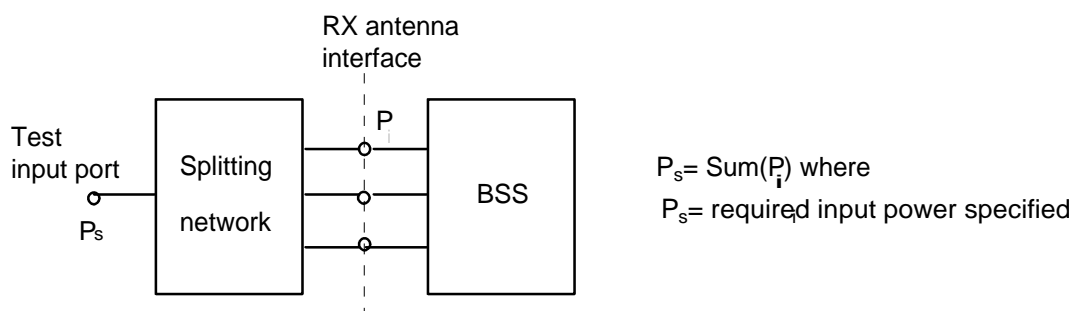


Figure 4.10-1: Receiver test setup

For spurious emissions from the receiver antenna connector, the test may be performed separately for each receiver antenna connector.

Transmitter tests

For each test, the conformance requirement shall be met by the sum of the signals emitted by each transmitter antenna connector. This may be assessed by separately measuring the signals emitted by each antenna connector and summing the results, or by combining the signals and performing a single measurement. The characteristics (e.g. amplitude and phase) of the combining network should be such that the power of the combined signal is maximised.

An example of a suitable test configuration is shown in figure 4.10-2.

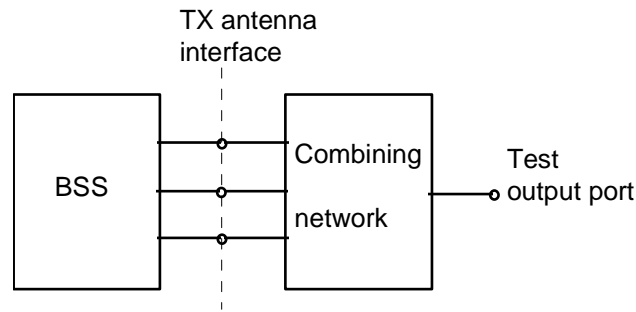


Figure 4.10-2: Transmitter test setup

For Intermodulation attenuation, the test may be performed separately for each transmitter antenna connector.

4.10.6 BTS supporting 8-PSK modulation

If a TRX supports 8-PSK it shall, unless otherwise stated in the tests in clause 6 to 9, be tested at both GMSK and 8-PSK modulation unless it can be demonstrated that it is sufficient to test only at GMSK or 8-PSK modulation.

If a BTS is configured with both TRXs supporting 8-PSK and TRXs not supporting 8-PSK, the stated number of TRXs to be tested shall apply to each type of TRX.

4.10.7 BTS supporting additional modulations in EGPRS2

If a TRX supports additional modulations (QPSK, 16-QAM or 32-QAM) it shall, unless otherwise stated in the tests in clause 6 to 9, be tested at GMSK as well as at the additional supported modulation unless it can be demonstrated that it is sufficient to test only at GMSK or the specific additional modulation.

If a BTS is configured with TRXs supporting additional modulations as well as TRXs not supporting additional modulations, the different types of TRX shall be counted separately, and the stated number of TRXs to be tested shall refer to each type of TRX separately.

4.10.8 Supported Symbol Rate

The tests in this specification are applicable to both normal symbol rate and higher symbol rate configurations, unless otherwise stated.

4.10.9 Support of RTTI and/or FANR

All tests are performed for BTTI configuration and without PAN, unless otherwise stated. Additional tests marked as specifically RTTI requirements without and with PAN, as well as BTTI with PAN shall be performed if BTS is declared to support these features.

4.10.10 Multicarrier BTS

If the BTS belongs to the multicarrier BTS class the configuration and number of TRXs to be used in the test corresponds to the configuration and number of active carriers at each transmitting antenna connector (i.e. at each transmitter output of a multicarrier transmitter or transceiver). The tests shall be repeated for each transmitting antenna connector, if connected to a multicarrier transmitter. If the maximum Base Station RF bandwidth is less than the relevant transmit band, and the transmitter is capable of operating on all parts of the relevant transmit band or a declared part of it (operating TX band according to subclause 4.2) by tuning, the transmitter tests are repeated until the whole relevant transmit band or the declared operating band is tested.

For multicarrier BTS testing, when the definition minimum carrier frequency spacing is used, the carrier spacing of 600 kHz shall apply for that test case.

The tests in this specification are based on the testing of multicarrier configurations for the supported numbers of carriers, operating at declared maximum power for each number of carriers equally distributed among the carriers. All supported numbers of carriers shall be included in the tests unless otherwise stated in the test case. Equipment that

passes all the tests in this specification shall also comply in other configurations, with unequal distribution of power among the carriers, as long as these configurations are defined within the limits of total power, power control margin and maximum number of carriers in the multicarrier transmitter. To verify this compliance a test case with unequal power distribution shall be executed when stated in the subclause for the respective test:

- If support of four or more active carriers is declared: two carriers are configured to 2 dB higher power and two to 4 dB lower power than the declared maximum power at equal distribution. Any additional carrier shall be configured to the declared maximum power at equal distribution. If one carrier needs to be defined as BCCH carrier according to test case, the carrier with highest power shall be used for BCCH.
- If support of less than four active carriers is declared: One carrier is configured to 2 dB higher power and one to 4 dB lower power than the declared maximum power at equal distribution. Any additional carrier shall be configured to the declared maximum power at equal distribution. If one carrier needs to be defined as BCCH carrier according to test case, the carriers with highest power shall be used for BCCH.

If the BTS belongs to the multicarrier BTS class the manufacturer shall declare the supported combinations of number of carriers, output powers and the maximum Base Station RF bandwidth applicable for each connector. When the carriers in a transmitter test are required to be distributed over the maximum Base Station RF bandwidth, the supported maximum bandwidth at respective transmit antenna connector shall be applied.

The manufacturer shall also declare if the multicarrier BTS is equipped with multicarrier receiver and if any multicarrier receiver paths are equivalent, in terms of radio performance. The tests shall be repeated for each antenna connector, if connected to a multicarrier receiver. If the manufacturer has declared multicarrier receiver paths to be equivalent, it is sufficient to apply the specified test signal(s) at any one of the equivalent receiver paths" antenna connectors. If the maximum Base Station RF bandwidth is less than the relevant receive band, and the receiver is capable of operating on all parts of the relevant receive band or a declared part of it (operating RX band according to subclause 4.2) by tuning, the receiver tests are repeated until the whole relevant receive band or the declared operating band is tested.

For any test that applies to a multicarrier BTS with multicarrier receiver, the required receiver resources for the declared maximum supported number of wanted signals shall be allocated and activated simultaneously at frequencies as evenly distributed as possible over the declared maximum Base Station RF bandwidth including the band edges of the Base Station RF bandwidth during the complete test, unless otherwise stated. The actual number and allocation of the applied input signals shall be as defined in each respective test. In case the supported maximum number of signals is higher than the number of applied wanted signals the remaining resources are allocated and activated for frequencies, not under test.

The declared configuration and stated performance shall be tested and fulfilled for any channel using the resource allocation and input signal configuration stated above. When the receiver resources in a test are required to be distributed over the maximum Base Station RF bandwidth, the maximum number of supported wanted signals shall be distributed over the supported maximum bandwidth at respective receive antenna connector.

For any test that applies to a multicarrier configuration in case of a multicarrier BTS all carriers shall apply the GMSK modulation, unless otherwise stated.

In test cases regarding unwanted emissions inband, i.e. including spectrum due to modulation and wideband noise, spurious emissions and intermodulation attenuation, detector mode RMS shall be used for conformance testing.

The vendor shall declare if the multicarrier BTS supports non-contiguous frequency allocation, defined as an allocation where two sub-blocks are separated by at least 5 MHz.

5 Format and interpretation of tests

Each test in the following clauses has a standard format:

X Title

All tests are applicable to all equipment within the scope of this specification, unless the title of the test is Applicability (Phase 2) or Applicability (Phase 2+), and the applicability is defined below.

X.1 Test purpose

This subclause defines the purpose of the test.

X.2 Test case

This subclause describes the steps necessary to perform the test. The general test conditions described in clause 4 also apply.

X.3 Essential conformance

The essential conformance describes the conformance requirements necessary to ensure compatibility and to verify the important aspects of the transmission quality of the system. This subclause is divided into two parts:

Test environment

This subclause describes the test environment or environments under which the test shall be performed. Where more than one test environment is specified, the extent of testing is specified for each environment.

Conformance requirement

This subclause describes the requirement which shall be met for the specified tests.

The test case describes the testing for full conformance; for most tests a subset of these tests is specified for essential conformance. Therefore, any definition of testing in the essential conformance shall take precedence over the test case.

X.4 Complete conformance

The complete conformance describes the complete set of tests which may be performed to fully characterize all aspects of one performance parameter of the BSS.

Test environment

This subclause describes the test environment or environments under which the test shall be performed. Where more than one test environment is specified, the extent of testing is specified for each environment.

Conformance requirement

This subclause describes the requirement which shall be met for the specified tests.

X.5 Requirement reference

This subclause gives the reference to the subclauses in the GSM specifications from which the test requirements have been derived. Where the Requirement reference subclause references the ETSs corresponding to both the Phase 2 and Phase 2+ versions of the same GSM specification, the Phase 2 and Phase 2+ requirements which are referenced are consistent. If the test case and/or requirements are different for Phase 2 (ETS) and the various releases of Phase 2+ (3GPP TS), this is stated in the applicability part of the subclause. When no applicability is stated the requirements are consistent and the referenced requirements apply to all referenced specifications (ETS or TS).

6 Transmitter

All tests in this Clause shall be conducted on Base Station Systems fitted with a full complement of Transceivers for the configuration unless otherwise stated. Measurements shall be made at the BTS Tx antenna connector, unless otherwise stated.

Power levels are expressed in dBm.

For measurements in VAMOS mode, VAMOS sub-channel 1 shall use TSC-5 from TSC Set 1 and VAMOS sub-channel 2 shall use TSC-5 from TSC Set 2. Independent pseudo random bit streams shall be assumed for the encrypted bits of VAMOS sub-channel 1 and VAMOS sub-channel 2. Measurements shall be performed for the smallest and largest supported absolute SCPIR_DL value (in dB) unless otherwise stated.

6.1 Static Layer 1 functions

6.1.1 Test purpose

To verify the following static Layer 1 transmitter functions:

- 1) the RF equipment;
- 2) the multiplexing and multiple access functions;
- 3) the interleaving and the channel encoding on the transmit side.

6.1.2 Test case

The BSS shall be configured with the maximum number of TRXs, with ARFCNs which shall be distributed over the entire declared bandwidth of operation for the BSS under test. One TRX shall be configured to support the BCCH. If the manufacturer declares that slow frequency hopping is supported, this shall be enabled.

Each TRX shall transmit a normal GSM modulated signal and the BSSTE shall be connected to the transmitter antenna connector. A known bit sequence exceeding a length of a superframe (1326 TDMA-frames) shall be input before channel encoding in the BSS and a bit sequence shall be output after channel decoding in the BSSTE.

All logical channel types supported by the BSS shall be tested. The test shall be repeated for each TRX in the BSS configuration, for each logical channel supported by it.

NOTE: Some logical channels are only supported by the TRX configured to support the BCCH.

For measurements in VAMOS mode the test shall be performed on both VAMOS sub-channels for the smallest supported absolute SCPIR_DL value (in dB).

6.1.3 Essential conformance

This test need not be performed.

6.1.4 Complete conformance

Test Environment

Normal.

Conformance requirement

The output bit sequence shall be bit exact for all logical channel types.

6.1.5 Requirement reference

3GPP TS 45.001, 3GPP TS 45.002, 3GPP TS 45.003 and 3GPP TS 45.005.

6.2 Modulation accuracy

6.2.1 Test purpose

- 1) To verify the correct implementation of the pulse shaping filtering.
- 2) To verify that at GMSK modulation the phase error during the active part of the time slot does not exceed the specified limits under normal and extreme test conditions and when subjected to vibration.
- 3) To verify that the frequency error during the active part of the time slot does not exceed the specified limits under normal and extreme test conditions and when subjected to vibration.
- 4) To verify that at supported modulations 8-PSK, QPSK, AQPSK, 16-QAM and 32-QAM the Error Vector Magnitude (EVM) and the origin offset during the active part of the time slot do not exceed the specified limits under normal and extreme test conditions and when subjected to vibration.

6.2.2 Test case

All TRXs in the configuration shall be switched on transmitting full power in all time slots for at least 1 hour before starting the test.

In case of a multicarrier BTS, the tests shall be performed with one carrier active and with the declared maximum number of carriers active at declared maximum output power equally distributed.

If the Manufacturer declares that Synthesizer Slow Frequency Hopping is supported by the BSS, the BSS shall be configured with the maximum number of TRXs with ARFCNs which shall be distributed over the entire declared bandwidth of operation for the BSS under test, and including B, M and T, and three tests shall be performed. These tests may either use a test apparatus which employs the same hopping sequence as the BSS, or a fixed frequency apparatus on the radio frequency channels B, M and T. If only Baseband SFH is supported or SFH is not supported, one test shall be performed for each of the radio frequency channels B, M and T, using different TRXs to the extent possible for the configuration. As a minimum, one time slot shall be tested on each TRX specified to be tested.

GMSK modulation

The transmitted GMSK modulated signal from the TRX under test shall be extracted in the BSSTE for a pseudo-random known bit stream of encrypted bits into the TRX modulator (the BSSTE is defined in annex B.1). The pseudo-random bit stream shall be any 148 bit sub-sequence of the 511 bit pseudo-random bit stream defined in recommendation CCITT Q.153 fascicle IV.4. This pseudo-random bit stream may be generated by another pseudo-random bit stream inserted before channel encoding in the TRX and shall generate at least 200 different bursts. The phase trajectory (phase versus time) for the useful part of the time slots (147 bits in the centre of the burst - see 3GPP TS 45.004 and 3GPP TS 45.010 for further information) shall be extracted with a resolution of at least 2 samples per modulating bit. The RF receiver parts of the BSSTE shall not limit the measurement.

The theoretical phase trajectory from the known pseudo-random bit stream shall be calculated in the BSSTE.

The phase difference trajectory shall be calculated as the difference between the measured and the theoretical phase trajectory. The mean frequency error across the burst shall then be calculated as the derivative of the regression line of the phase difference trajectory. The regression line shall be calculated using the Mean Square Error (MSE) method.

The phase error is then finally the difference between the phase difference trajectory and its linear regression line.

8-PSK, QPSK, AQPSK, 16-QAM and 32-QAM modulation

The transmitted 8-PSK, QPSK, AQPSK, 16-QAM or 32-QAM modulated signal from the TRX under test shall be extracted in the BSSTE for a pseudo-random known bit stream of encrypted bits into the TRX modulator (the BSSTE is defined in annex B.1). The pseudo-random bit stream shall be any bit sub-sequence of the 32767-bit pseudo-random bit stream defined in recommendation CCITT O.151 10/1997.

The error vector between the vector representing the transmitted signal and the vector representing the error-free modulated signal defines modulation accuracy. The magnitude of the error vector is called Error Vector Magnitude (EVM). Origin suppression is defined to be the ratio of the carrier leakage to the modulated signal. For definition and calculation of EVM, see 3GPP TS 45.005 Annex G.

The following steps 1) to 5) shall be performed according to 3GPP TS 45.005 subclause 4.6.2 and annex G.

- 1) The RMS EVM shall be measured and calculated over the useful part of the burst (excluding tail bits) for at least 200 bursts.
- 2) The origin offset suppression shall be measured and calculated.
- 3) The frequency offset shall be measured and calculated.
- 4) The peak EVM shall be measured and calculated. The peak EVM is the peak error deviation within a burst, measured at each symbol interval, averaged over at least 200 bursts. The bursts shall have a minimum distance in time of 7 idle timeslots between them. The peak EVM values are acquired during the useful part of the burst, excluding tail bits.
- 5) The 95:th percentile EVM shall be measured and calculated. The 95:th percentile EVM is the point where 95% of the individual EVM, measured at each symbol interval, is below that point. That is, only 5% of the symbols are allowed to have an EVM exceeding the 95:th-percentile point. The EVM values are acquired during the useful part of the burst, excluding tail bits, over 200 bursts.

6.2.3 Essential conformance

Test Environment

Normal: One test shall be performed on each of B, M and T.

Extreme Power supply: One test shall be performed on each of B, M and T.

NOTE: tests under extreme power supply are carried out at extreme temperature limits.

In case of multicarrier BTS the tests shall be performed for single carrier operation at B, M and T of the operating transmit band, and with declared maximum number of carriers distributed according to test case b) in subclause 6.12.2 throughout the maximum Base Station RF bandwidth. For the test with maximum number of carriers, all carriers shall apply the same modulation type and operate at equal, maximum declared carrier power for this modulation type. The test shall be repeated for each modulation type supported by the multicarrier BTS.

Conformance requirement

GMSK modulation

The phase error shall not exceed:

5 degrees rms

20 degrees peak

For normal and micro BTSs the mean frequency error across the burst shall not exceed:

0,05 ppm

For pico BTSs the mean frequency error across the burst shall not exceed:

0,1 ppm

Higher order modulation

The RMS EVM values, measured after any active element and excluding the effect of passive combining equipment, shall not exceed:

	Normal symbol rate				Higher symbol rate		
	AQPSK	8-PSK	16-QAM	32-QAM	QPSK	16-QAM	32-QAM
under normal conditions	7,0 % ¹⁾ 5,0 % ²⁾	7,0 %	5,0 %	5,0 %	7,0 %	4,0 %	4,0 %
under extreme conditions	8,0 % ¹⁾ 6,0 % ²⁾	8,0 %	6,0 %	6,0 %	8,0 %	5,0 %	5,0 %
Note 1: Applicable for absolute SCPIR_DL values ≤ 8,0 dB							
Note 2: Applicable for absolute SCPIR_DL values > 8,0 dB							

The RMS EVM values, measured after any active element and including the effect of passive combining equipment, shall not exceed:

	Normal symbol rate	Higher symbol rate

	AQPSK	8-PSK	16-QAM	32-QAM	QPSK	16-QAM	32-QAM
under normal conditions	8,0 % ¹⁾ 6,0 % ²⁾	8,0 %	6,0 %	6,0 %	8,0 %	5,5 %	5,5 %
under extreme conditions	9,0 % ¹⁾ 7,0 % ²⁾	9,0 %	7,0 %	7,0 %	9,0 %	6,5 %	6,5 %
Note 1: Applicable for absolute SCPIR_DL values $\leq 8,0$ dB							
Note 2: Applicable for absolute SCPIR_DL values $> 8,0$ dB							

The origin offset suppression shall exceed:

35 dB

For normal and micro BTSs the frequency offset shall not exceed:

0,05 ppm

For pico BTSs the frequency offset shall not exceed:

0,1 ppm

The peak EVM values, excluding the effect of passive combining equipment, shall not exceed:

22 %

The 95:th percentile EVM value, excluding the effect of passive combining equipment, shall not exceed:

11 %

6.2.4 Complete conformance

Test Environment

Normal: The test shall be repeated until 3 TRXs or all TRXs (whichever is the less) have each been tested on B, M and T.

Extreme Power supply: One test shall be performed on each of B, M and T.

NOTE: tests under extreme power supply are carried out at extreme temperature limits.

Vibration : One test shall be performed on each of B, M and T.

In case of multicarrier BTS the test shall be performed for single carrier operation at B, M and T of the operating transmit band, and with declared maximum number of carriers distributed according to test case b) in subclause 6.12.2 throughout the maximum Base Station RF bandwidth, except in vibration conditions as stated in subclause 4.6.3 where only single active carrier operation need to be tested.

Conformance requirement

The requirement of essential conformance shall apply.

6.2.5 Requirement reference

3GPP TS 45.004, clause 2; 3GPP TS 45.005, subclause 4.6; 3GPP TS 45.010, subclause 5.1.

6.3 Mean transmitted RF carrier power

6.3.1 Test purpose

To verify the accuracy of the mean transmitted RF carrier power across the frequency range and at each power step.

This test is also used to determine the parameter "power level", used in subclause 6.5.1.2.

6.3.2 Test case

For a normal BTS, this measurement the power shall be measured at the input of the TX combiner or at the BSS antenna connector. For a micro-BTS, the power shall be measured at the BSS antenna connector. For a multicarrier BTS the power shall be measured at each transmitting BSS antenna connector. The Manufacturer shall declare the maximum output power of the BSS for each supported modulation at the same reference point as the measurement is made. The TX combiner shall have the maximum number of TRXs connected to it so that the measurement can be used as a reference for the measurement of transmitted carrier power versus time in subclause 6.4.

NOTE: The value of the output power measured at the antenna connector is generally more useful for cell planning, and may be required for regulatory purposes

All TRXs in the configuration shall be switched on transmitting full power in all time slots for at least 1 hour before starting the test.

The Manufacturer shall declare how many TRXs the BSS supports:

- 1 TRX: The TRX shall be tested at B, M and T;
- 2 TRX: The TRXs shall each be tested at B, M and T;
- 3 TRX or more: Three TRXs shall each be tested at B, M and T.

In case of multicarrier BTS the tests shall be performed for the declared number(s) of carriers, operating at equally distributed power at minimum carrier frequency spacing and grouped at B, M and T, for each antenna connector.

In addition the test case with unequal power distribution according to subclause 4.10.10 shall be performed for the declared maximum number of carriers.

If the Manufacturer declares that Synthesizer Slow Frequency Hopping is supported by the BSS, the BSS shall be configured with the number of TRXs and frequency allocation defined above and SFH enabled.

The BSS under test shall be set to transmit at least 3 adjacent time slots in a TDMA-frame at the same power level. The RMS power level shall be measured on a time slot basis over the useful part of one of the active time slots and then the average of the logarithmic value taken over at least 200 time slots. Only active bursts shall be included in the averaging process. Whether SFH is supported or not, the measurement shall be carried out on all of the 3 frequencies in turn. The measurement bandwidth shall be at least 300 kHz.

For the definition of the useful part of the time slot see figure 6.4-1, and for further details 3GPP TS 45.004 and 3GPP TS 45.010. For timing on a per time slot basis, in case of normal symbol rate, each time slot may contain 156.25 modulating symbols, or 2 time slots may contain 157 and 6 time slots 156 modulating symbols according to 3GPP TS 45.010. In case of higher symbol rate each time slot may contain 187,5 symbols or 188,4 symbols on timeslot 0 and 4 and 187,2 symbols on the remaining timeslots in a TDMA-frame according to 3GPP TS 45.010.

The power shall be measured at each nominal power level as specified. As a minimum, one time slot shall be tested on each TRX. Any TRX which is a dedicated BCCH shall only be tested at highest static power step.

6.3.3 Essential conformance

Test Environment

Normal: Each TRX specified in the test case shall be tested.

Extreme power supply: One TRX shall be tested, on one ARFCN, for highest static power step only.

NOTE: tests under extreme power supply are carried out at extreme temperature limits.

Conformance requirement

The BSS shall support N_{max} steps of Static Power Control for each supported modulation with respect to the declared output power as declared by the manufacturer. For the modulation with the highest output power, N_{max} shall be at least 6.

The static power step N has the range from the highest static power level to N_{max} inclusive, where

- The Highest Static Power Level corresponds to the maximum single carrier output power declared by the manufacturer. For multicarrier BTS, the Highest Static Power Level corresponds to maximum output power per carrier for each supported number of carriers declared by the manufacturer.
- The Lowest Static Power Level is defined as the Highest Static Power Level reduced by N_{max} power steps, where the number of power steps can be different for each supported modulation.

The power measured when the TRX is set to Highest Static Power Control Level shall have a tolerance of ± 2 dB under normal conditions and $\pm 2,5$ dB under extreme conditions, relative to the maximum power declared by the manufacturer for the modulation under test. In this test, this measured power is termed the maximum BTS output power. Static power control shall allow the RF output power to be reduced from the maximum BTS output power for the modulation with the highest output power capability in at least 6 steps of nominally 2 dB with a tolerance of ± 1 dB for each modulation referenced to the previous level of the same modulation. In addition, the actual absolute output power for each supported modulation at each static RF power step (N), with the exception below for the highest RF power level for 8-PSK, QPSK, AQPSK, 16-QAM and 32-QAM, shall be $2 \cdot N$ dB below the maximum BTS output power for the modulation with the highest output power capability with a tolerance of ± 3 dB under normal conditions and ± 4 dB under extreme conditions.

In addition to the Static Power Control levels the BSS may utilize up to M steps of dynamic Downlink Power Control. M can have an upper limit of 0 to 15.

Dynamic Downlink power control shall allow the RF output power to be reduced in M steps with a step size of 2 dB with a tolerance of $\pm 1,5$ dB referenced to the previous level.

Each dynamic Downlink Power Control level shall have a tolerance of ± 3 dB under normal conditions and ± 4 dB under extreme conditions relative to $2 \cdot Y$ dB below the maximum BTS output power for the modulation with the highest output power capability, where Y is the sum of the number of static and dynamic steps below Highest Static Power Control Level for the modulation with the highest output power capability.

For BTS supporting 8-PSK, QPSK, AQPSK, 16-QAM and/or 32-QAM the output power for GMSK, 8-PSK, QPSK, AQPSK, 16-QAM and 32-QAM shall be nominally the same for any supported static and dynamic power control level. An exception is allowed for the maximum output power of the respective modulation QPSK, AQPSK, 8-PSK, 16-QAM and 32-QAM, which may be lower than the GMSK output power for the same static or dynamic power control level. The nominal size of the first step down from the respective maximum power level of QPSK, 8-PSK, AQPSK, 16-QAM and 32-QAM may be in the range 0 to 2 dB. The output power of QPSK, 8-PSK, AQPSK, 16-QAM and 32-QAM for the respective second highest static or dynamic power control level shall be the same as the GMSK power for the corresponding static or dynamic power control level within a tolerance of ± 1 dB. The number of static RF power steps and the total number of power control steps may be different for GMSK and other supported modulations (8-PSK, QPSK, AQPSK, 16-QAM and 32-QAM).

6.3.4 Complete conformance

The requirement of essential conformance shall apply.

6.3.5 Requirement reference

3GPP TS 45.005 subclause 4.1.2.

6.4 Transmitted RF carrier power versus time

6.4.1 Test purpose

To verify:

- 1) the time during which the transmitted power envelope should be stable (the useful part of the time slot);
- 2) the stability limits;
- 3) the maximum output power when nominally off between time slots.

It is not the purpose of this test to measure the detail of the power ramps; this is measured as adjacent channel power in subclause 6.5.

6.4.2 Test case

The Manufacturer shall declare how many TRXs the BSS supports, and declare any TRXs which are a dedicated BCCH carrier:

- | | |
|----------------|---|
| 1 TRX: | The BSS shall not be tested. |
| 2 TRX: | One TRX shall be configured to support the BCCH and the other shall be tested. Tests shall be performed on B, M and T, and both TRXs shall be tested on at least one frequency. |
| 3 TRX: | One TRX shall be configured to support the BCCH and the other two shall be tested at B, T and B, M. Tests shall be performed on B, M and T and both TRXs shall be tested on at least one frequency. |
| 4 TRX or more: | One TRX shall be configured to support the BCCH and three TRXs tested, one on B, one on M and one on T. |

If the Manufacturer declares that Synthesizer Slow Frequency Hopping is supported by the BSS, the BSS shall be configured with the number of TRXs activated and frequency allocation defined above and SFH enabled. The TRX configured to support the BCCH shall not be tested.

If the TRX under test supports 8-PSK and/or other modulation(s), the test shall be performed at GMSK, 8-PSK and all other supported modulations.

A single time slot in a TDMA-frame shall be activated in all TRXs to be tested, all other time slots in the TDMA-frame shall be at Pidle.

Power measurements are made with a detector bandwidth of at least 300 kHz at the BTS antenna connector, at each frequency tested. Timing is related to T₀ which, for the normal symbol rate case, is the transition time from symbol 13 to symbol 14 of the midamble training sequence for each time slot. For higher symbol rate T₀ is defined as center of the 16th symbol. For timing on a per time slot basis each time slot, for the normal symbol rate case, may contain 156.25 modulating symbols, or 2 time slots may contain 157 and 6 time slots 156 modulating symbols according to 3GPP TS 45.010. In case of higher symbol rate each time slot may contain 187,5 symbols or 188,4 symbols on timeslot 0 and 4 and 187,2 symbols on the remaining timeslots in a TDMA-frame. Measurements shall be made at P_{max} and P_{min}. The time slots measured shall be displayed or stored for at least 100 complete cycles of the time slot power sequence for each measurement.

P_{max} = Power measured in subclause 6.3 (Highest Static Power Control Level).

P_{min} = the Lowest Static Power Level measured in subclause 6.3.

Pidle = P_{max} -30 dB, or P_{min} - 30 dB.

As a minimum, one time slot shall be tested on each TRX under test which is not a dedicated BCCH.

6.4.3 Essential conformance

Test Environment

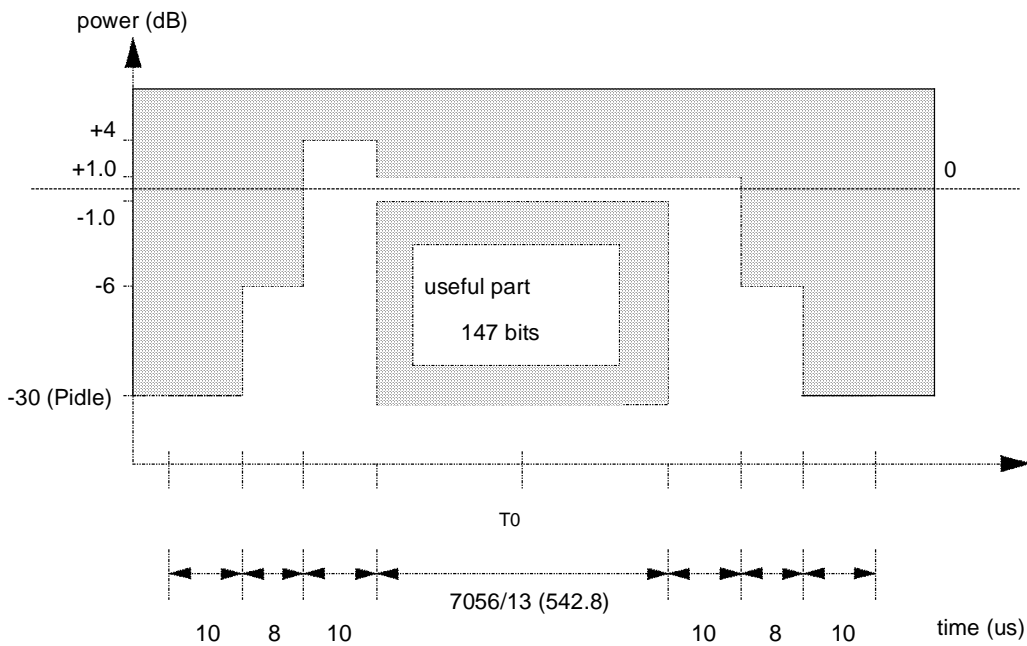
Normal

Conformance requirement

The output power of each GMSK modulated time slot tested relative to time shall conform with that illustrated in figure 6.4-1 and, if other modulations than GMSK are supported, in figures 6.4-2, 6.4-3, 6.4-4, 6.4-5 and 6.4-6. The residual output power, if a time slot is not activated, shall be maintained at, or below, the level of -30 dBc (300 kHz measurement bandwidth).

6.4.4 Complete conformance

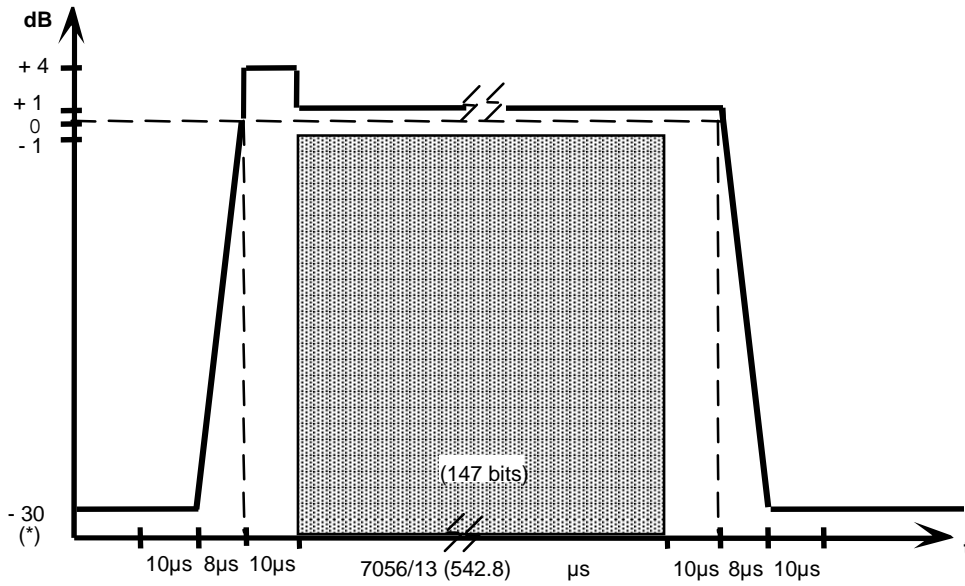
The requirement of essential conformance shall apply.



147 bits = 542.8 us = 7056/13 us

1 timeslot = 576.9 us = 156.25 bits

Power/time mask for GSM 400, GSM 900, DCS 1800, GSM 700, GSM 850 and MXM 850

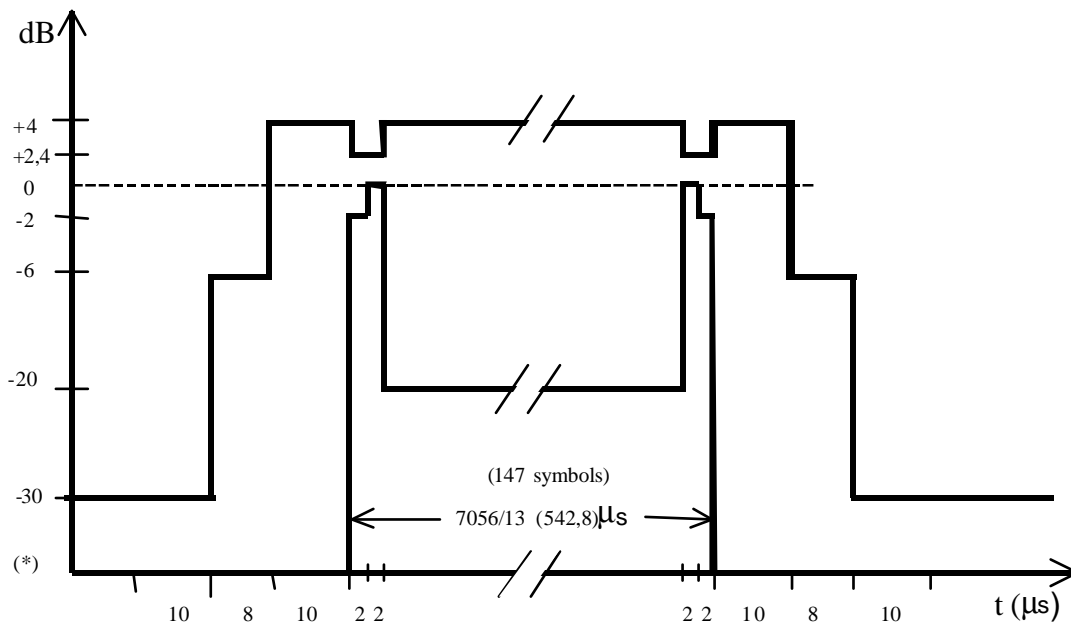


Dashed Lines indicate reference points only

Power/time mask for PCS 1900 and MXM 1900

NOTE: The 0 dB reference is equal to the power Pmax or Pmin.

Figure 6.4-1: Power/time mask for power ramping of normal bursts at GMSK modulation



NOTE: The 0 dB reference is equal to the power Pmax or Pmin.

Figure 6.4-2: Power/time mask for power ramping of normal bursts at 8-PSK modulation

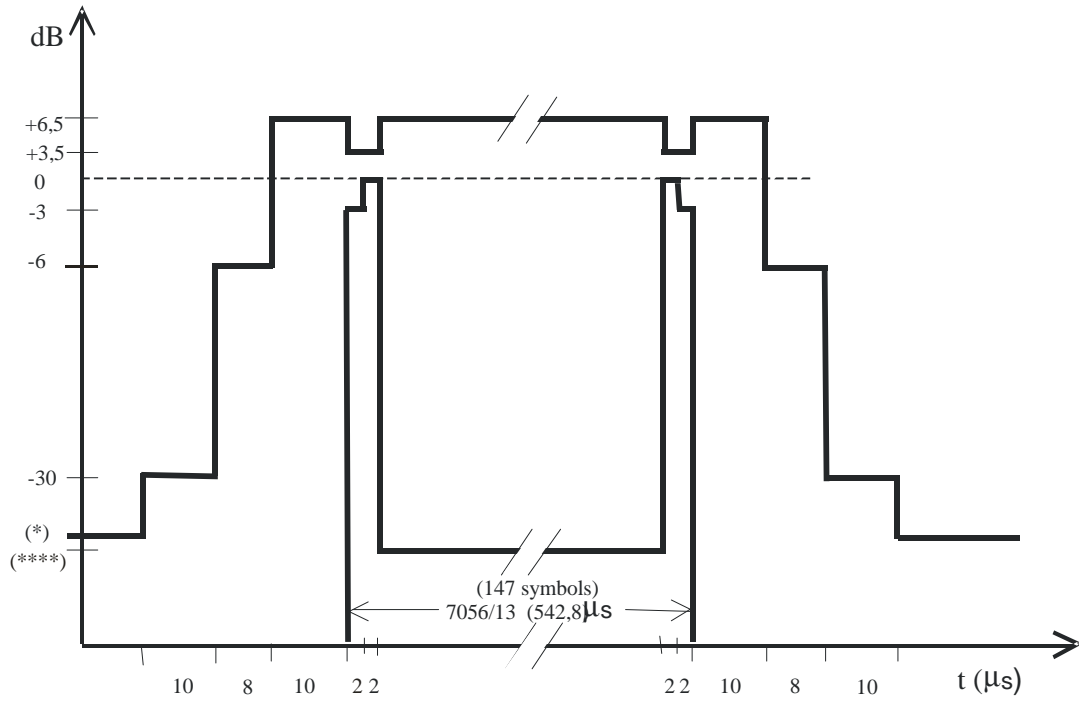


Figure 6.4-3: Power/Time mask for normal bursts (NB) at 16-QAM and 32-QAM modulation at normal symbol rate

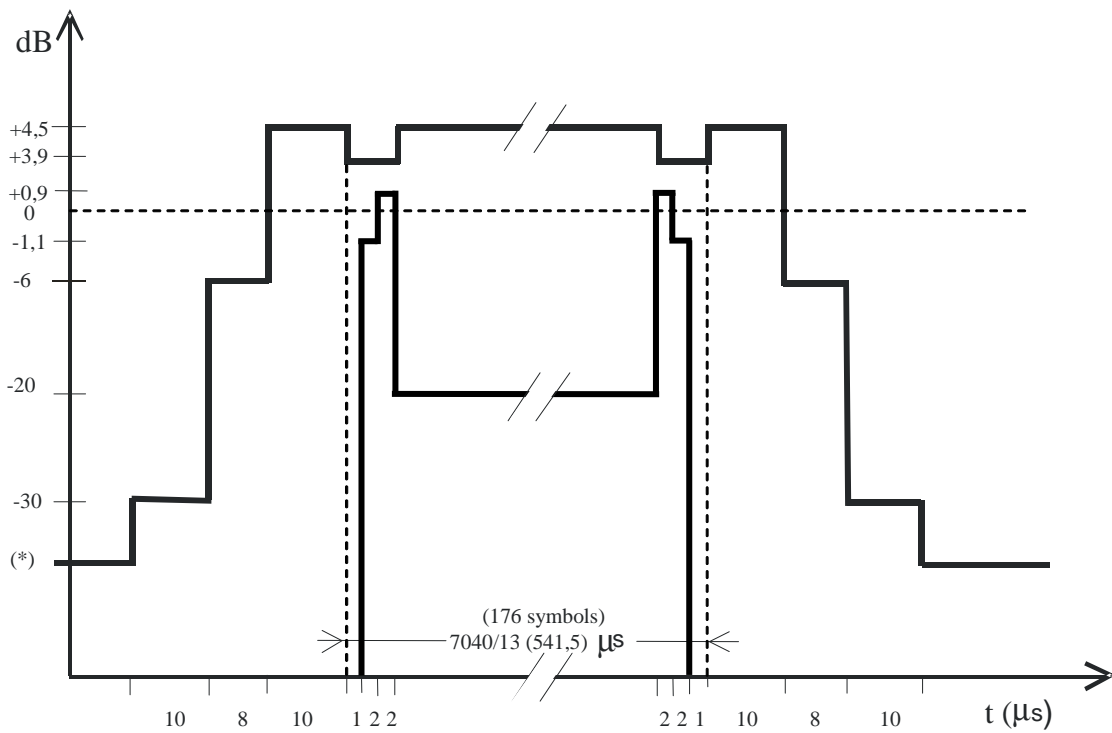


Figure 6.4-4: Power/Time mask for higher symbol rate bursts (HB) at QPSK modulation with narrow pulse shaping filter

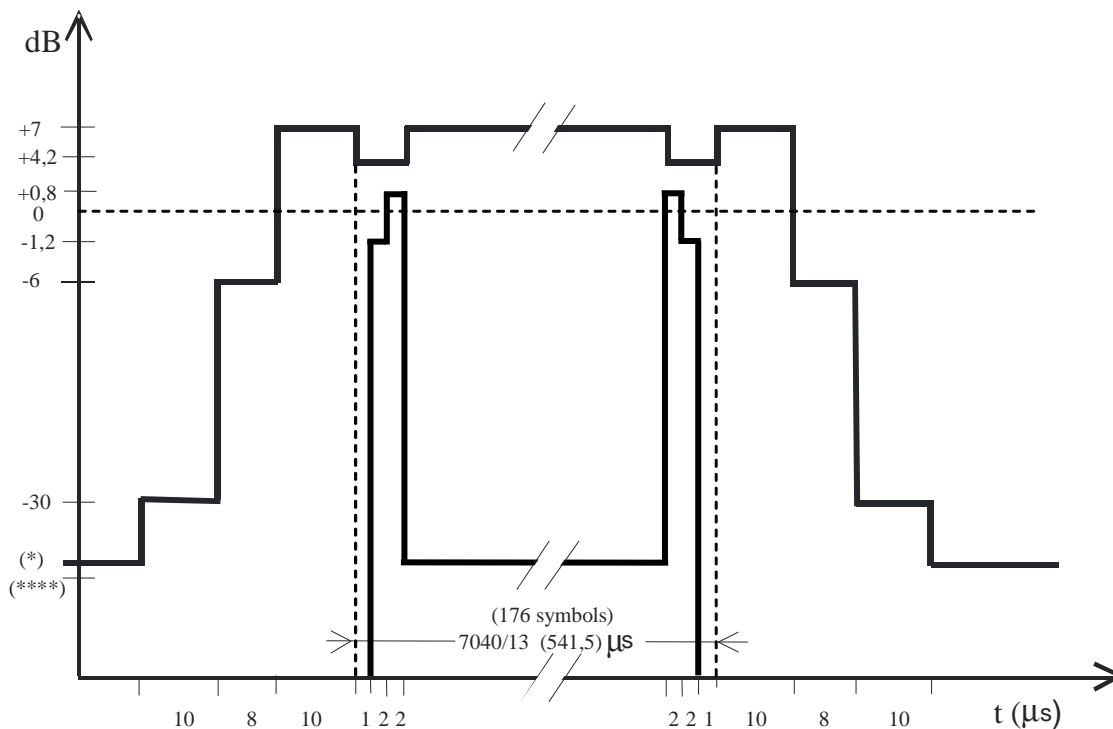


Figure 6.4-5: Power/Time mask for higher symbol rate bursts (HB) at 16-QAM and 32-QAM modulation with narrow pulse shaping filter

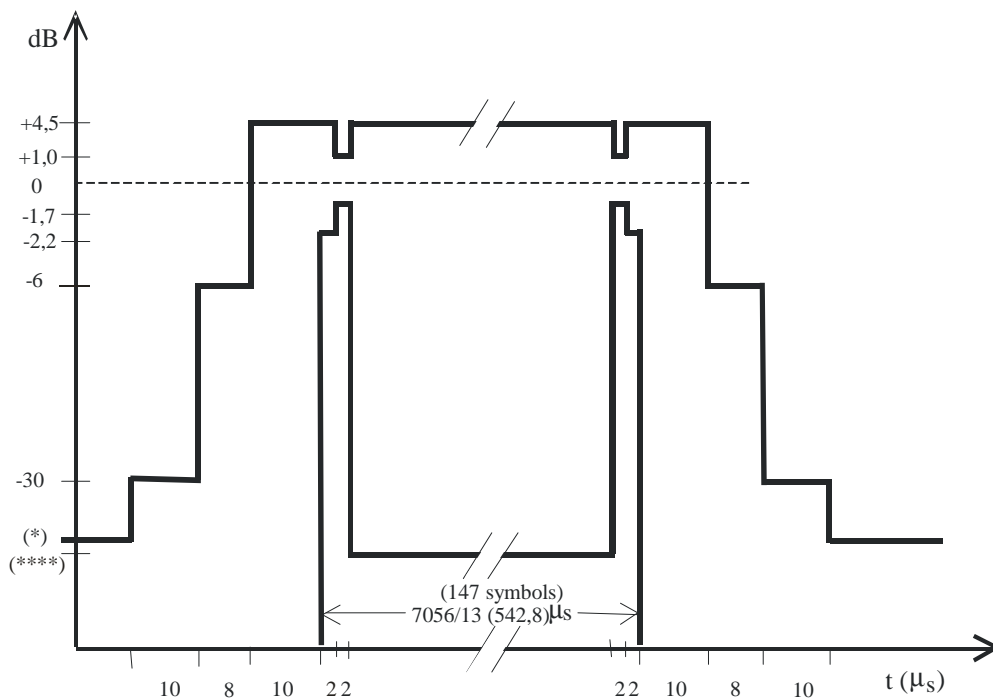


Figure 6.4-6: Power/time mask for power ramping of normal bursts at AQPSK modulation

- (*) For all BTS on all frequency bands no requirement below -30 dBc
- (****) For all BTS on all frequency bands Lower limit within the useful part of burst is seen as undefined for 16-QAM and 32-QAM.

6.4.5 Requirement reference

3GPP TS 45.005 subclause 4.5.1.

6.5 Adjacent channel power

The modulation, wideband noise and power level switching spectra can produce significant interference in the relevant TX and adjacent bands. The requirements for adjacent channel emissions are tested in two separate tests which intend to measure different sources of emission:

- 1) continuous modulation spectrum and wideband noise;
- 2) switching transients spectrum.

NOTE: Both requirements must be met, irrespective of the source of the emission at any particular frequency.

6.5.1 Spectrum due to modulation and wideband noise

6.5.1.1 Test purpose

To verify that the output RF spectrum due to modulation and wideband noise does not exceed the specified levels for an individual transceiver.

6.5.1.2 Test case

The system under test shall be tested with one TRX active or with the BTS equipped with only one TRX, at three frequencies (first at RF channel B, second at RF channel M and third at RF channel T). Slow frequency hopping shall be disabled.

- a) All time slots shall be set up to transmit full power GMSK modulated with a pseudo-random bit sequence of encrypted bits apart from time slot 0 which shall be set up to transmit at full power but may be modulated with normal BCCH data. The pseudo-random bit sequence may be generated by another pseudo-random bit sequence inserted before channel encoding in the BSS.
- b) The power level (as used in table 6.5-1) shall be measured using the method of subclause 6.3 for each power step to be tested.
- c) Using a filter and video bandwidth of 30 kHz the power shall be measured at the antenna connector on the carrier frequency. The measurement shall be gated over 50 - 90 % of the useful part of the time slot excluding midamble, and the measured value over this part of the burst shall be averaged. The averaging shall be over at least 200 time slots and only the active burst shall be included in the averaging process. The test is performed on one timeslot and not on timeslot 0.
- d) Step c) shall be repeated with the following offsets above and below the carrier frequency:

in case of BTS not belonging to a multicarrier BTS class:

- 100 kHz, 200 kHz, 250 kHz, 400 kHz; and
- 600 kHz to 1 800 kHz in steps of 200 kHz.

in case of BTS belonging to a multicarrier BTS class:

- 100 kHz, 200 kHz, 250 kHz, 400 kHz; and
 - 600 kHz up to and including 1 600 kHz in steps of 200 kHz.
- e) With all time slots at the same power level, step c) and d) shall be repeated for all static power levels specified for the equipment (subclause 6.3).
- f) With a filter and video bandwidth of 100 kHz and all time slots active, the power shall be measured at the antenna connector for frequency offsets beyond 1800 kHz up to 2 MHz outside either side of the relevant TX band in case of BTS not belonging to a multicarrier BTS class. In case of BTS belonging to a multicarrier BTS class the power shall also be measured at the frequency offset of 1.8 MHz. This test shall be made in a frequency scan mode, with a minimum sweep time of 75 ms and averaged over 200 sweeps.
- g) With all time slots at the same power level, step f) shall be repeated for all static power levels specified for the equipment (subclause 6.3).
- h) If the TRX supports QPSK, AQPSK, 8-PSK, 16-QAM or 32-QAM modulation, step a) to g) shall be repeated with all time slots set up to transmit with the respective modulation apart from timeslot 0 which may be modulated with normal BCCH data.

For a multicarrier BTS, the test methods and conditions in this subclause apply for configurations with one carrier active. For BTS configurations with more than one carrier active, the test in subclause 6.12 shall be performed.

6.5.1.3 Essential Conformance

Test Environment

Normal

Normal BTS Conformance requirement

The test shall be performed for one TRX. In case of a multicarrier BTS the test is performed for each transmitting antenna connector.

For each static power step, the power measured in steps d) to g) of the test cases shall not exceed the limits shown in table 6.5-1 for the power level measured in step b), except where one or more of the following exceptions and minimum measurement levels applies:

- 1) For a GSM 400, GSM900, GSM 850, MXM 850 or GSM 700 BTS, if the limit according to table 6.5-1 is below -65 dBm, a value of -65 dBm shall be used instead.
- 2) For a DCS 1800, PCS 1900 or MXM 1900 BTS, if the limit according to table 6.5-1 is below -57 dBm, a value of -57 dBm shall be used instead.
- 3) In the combined range 600 kHz to 6 MHz above and below the carrier frequency, in up to three bands of 200 kHz width centred on a frequency which is an integer multiple of 200 kHz, exceptions at up to -36 dBm are allowed.
- 4) Above 6 MHz offset from the carrier frequency, in up to 12 bands of 200 kHz width centred on a frequency which is an integer multiple of 200 kHz, exceptions at up to -36 dBm are allowed.
- 5) In case of multicarrier BTS operating with one carrier, the level and number of allowable exceptions up to 10MHz outside the relevant transmit band as defined in section 6.12.3 using N= 1 apply.
- 6) In case of multicarrier BTS for all applicable frequency bands, if the limit according to table 6.5-1 is below -47 dBm, this value shall be used instead.

Table 6.5-1: Continuous modulation spectrum - maximum limits for BTS

	Power level (dBm) as measured in step b)	Maximum relative level (dB) at specified carrier offsets (kHz), using specified measurement (filter) bandwidths (kHz):							
		100	200	250	400	600 to < 1 200	1 200 to < 1 800	1 800 to < 6 000	>6000 **
		Measurement (filter) bandwidth; 30 kHz						Measurement (filter) bandwidth; 100 kHz	
Case 1	≥ 43	+0,5	-30	-33	-60*	-70	-73	-75	-80
	41	+0,5	-30	-33	-60*	-68	-71	-73	-80
	39	+0,5	-30	-33	-60*	-66	-69	-71	-80
	37	+0,5	-30	-33	-60*	-64	-67	-69	-80
	35	+0,5	-30	-33	-60*	-62	-65	-67	-80
	≤ 33	+0,5	-30	-33	-60*	-60	-63	-65	-80
* For equipment supporting QPSK, AQPSK, 8-PSK, 16-QAM or 32-QAM, at normal symbol rate, the requirement at these modulations is -56 dB.									
** For equipment belonging to a multicarrier BTS class, the requirement also applies for the frequency offset of 6 MHz.									

The requirements are specified, depending on symbol-rate and pulse-shaping filter used:

Case 1: Normal symbol rate using linearised GMSK pulse-shaping filter and higher symbol rate using spectrally narrow pulse shaping filter

The spectrally narrow pulse shaping filter in Case 1 and the spectrally wide pulse shaping filter in Case 2 are in this specification referred to as narrow and wide pulse shaping filter respectively. The limit values in table 6.5-1, at the listed offsets from carrier frequency (kHz), are the ratio of the measured power to the measured power in step c) for the same static power step.

Table 6.5-1 provides requirements at discrete power levels. For powers between those specified, linear interpolation should be applied.

Micro and Pico-BTS Conformance requirement

The test shall be performed for one TRX.

For each static power step, the power measures in steps d) and e) of the test case shall not exceed the limits shown in table 6.5-1 for the power level measured in step b), except where one or more of the micro or pico-BTS exceptions and minimum measurement levels applies.

For each static power step, the ratio of the power measured in steps f) and g) of the test case to the power measured in step c) for the same static power step shall not exceed the limits specified in table 6.5-2 for GSM900, GSM 850, MXM 850 and GSM 700 and table 6.5-3 for DCS1800, PCS 1900 and MXM 1900 systems, except where one or more of the micro or pico-BTS exceptions and minimum measurement levels applies.

Table 6.5-2: Continuous modulation spectrum - maximum limits for GSM900, GSM 850, MXM 850 and GSM 700 Micro and Pico-BTS

Power Class		Maximum relative level (dB) at specified carrier offsets (kHz), using specified measurement (filter) bandwidths (kHz):	
		1 800 to < 6 000	> 6 000
		Measurement (filter) bandwidth; 100kHz	
M1 to M3	Case 1	-70	-70
P1	Case 1	-70	-80

Table 6.5-3: Continuous modulation spectrum - maximum limits for DCS1800, PCS 1900 and MXM 1900 Micro and Pico-BTS

Power Class		Maximum relative level (dB) at specified carrier offsets (kHz), using specified measurement (filter) bandwidths (kHz):	
		1 800 to < 6 000	> 6 000
		Measurement (filter) bandwidth; 100kHz	
M1 to M3	Case 1	-76	-76
DCS 1800 P1	Case 1	-76	-80
PCS 1900 and MXM 1900 P1	Case 1	-76	-76

The following exceptions and minimum measurement levels shall apply for the micro and pico-BTS.

- 1) In the combined range 600 kHz to 6 MHz above and below the carrier frequency, in up to three bands of 200 kHz width centred on a frequency which is an integer multiple of 200 kHz, exceptions at up to -36 dBm are allowed.
- 2) Above 6 MHz offset from the carrier frequency, in up to 12 bands of 200 kHz width centred on a frequency which is an integer multiple of 200 kHz, exceptions at up to -36 dBm are allowed.
- 3) If the limit as specified above is below the values in table 6.5-4, then the values in table 6.5-4 shall be used instead.

Table 6.5-4: Continuous modulation spectrum - minimum levels for micro and pico-BTS

Power Class	Maximum spectrum due to modulation and noise in 100 kHz	
	GSM900, GSM 850, MXM 850 and GSM 700 (dBm)	DCS1800, PCS 1900 and MXM 1900 (dBm)
M1	-59	-57
M2	-64	-62
M3	-69	-67
P1	-68	-65

VAMOS mode is not applicable to pico BTS.

6.5.1.4 Complete conformance

Test Environment:

Normal.

Conformance requirement

The test shall be repeated until each TRX in the configuration has been tested. The essential conformance requirement shall be met for each TRX. For a multicarrier BTS, the test shall be repeated for each transmitting antenna connector.

6.5.1.5 Requirement reference

3GPP TS 45.005 subclause 4.2.1.

6.5.2 Switching transients spectrum

6.5.2.1 Test purpose

To verify that the output RF spectrum due to switching transients does not exceed the specified limits.

6.5.2.2 Test case

The Manufacturer shall declare how many TRXs the BSS supports:

- 1 TRX: The TRX shall be tested at B, M and T.
- 2 TRX: One shall be configured to support the BCCH and the second TRX shall be activated and tested at B, M and T.
- 3 TRX: One shall be configured to support the BCCH and the other two shall be activated and tested. Tests shall be performed on B, M and T and both TRXs shall be tested on at least one frequency.
- 4 TRX or more: One shall be configured to support the BCCH and three TRXs shall be tested, one on B, one on M and one on T.

For a multicarrier BTS, the test is performed for a single active carrier at B, M and T for each antenna port, transmitting at declared maximum power.

If the TRX supporting the BCCH is physically different from the remaining TRX(s), it shall also be tested on B, M and T.

- a) All active time slots shall be GMSK, 8-PSK, QPSK, AQPSK, 16-QAM or 32-QAM modulated with a pseudo-random bit sequence apart from time slot 0 of the TRX supporting the BCCH which may be modulated with normal data. The power shall be measured at the offsets listed below from one of the carrier frequencies in the configuration with the test equipment parameters below. The reference power for relative measurements is the power measured in a bandwidth of at least 300 kHz for the TRX under test for the time slot in this test with the highest power.

Resolution bandwidth: 30 kHz

Video bandwidth: 100 kHz

Zero frequency scan

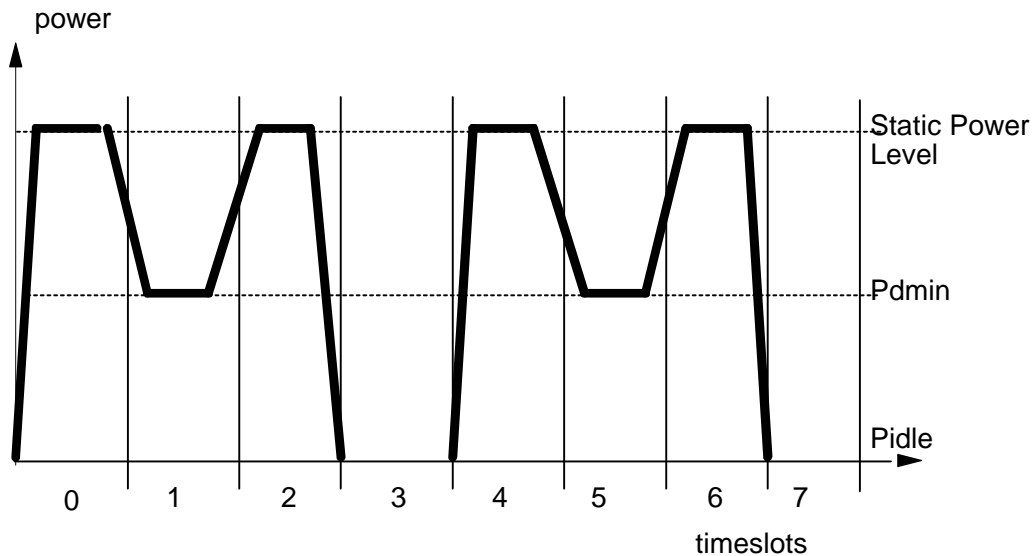
Peak hold enabled

The following offsets from the carrier frequency shall be used:

400 kHz, 600 kHz, 1200 kHz and 1800 kHz.

- b) All timeslots of the TRX or TRXs under test shall be activated at the highest level of static power control and the power measured as described in step a). If synthesizer SFH is supported, the test shall be repeated for the TRX or TRXs which are activated and which do not support the BCCH, with them hopping between B, M and T.
- c) All timeslots of the TRX or TRXs under test shall be activated at the lowest level of static power control and the power measured as described in step a). If synthesizer SFH is supported, the test shall be repeated for the TRX or TRXs which are activated and which do not support the BCCH, with them hopping between B, M and T.
- d) Any active TRX which does not support the BCCH shall be configured with alternate timeslots active at the highest level of static power control and the remaining timeslots idle as illustrated in figure 6.5-2 and the power measured as described in step a).

- e) Any active TRX which does not support the BCCH shall be configured with alternate timeslots active at the lowest level of static power control and the remaining timeslots idle as illustrated in figure 6.5-2 and the power measured as described in step a).
- f) If the BSS supports dynamic downlink power control, any active TRX which does not support the BCCH shall be configured with transitions between timeslots active at the highest level of static power control and timeslots active at the lowest available level of dynamic power control and idle timeslots, as illustrated in figure 6.5-1 and the power measured as described in step a).



NOTE: P_{dmin} = The lowest dynamic power step measured in subclause 6.3.

Figure 6.5-1: Power/time slot configuration (RF power control)

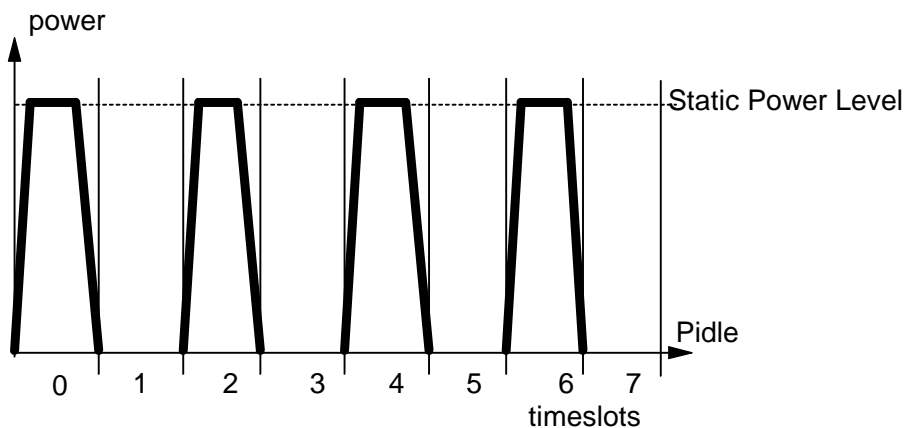


Figure 6.5-2: Power/time slot configuration (no RF power control)

6.5.2.3 Essential conformance

Test environment:

Normal.

Conformance requirement

The power measured shall not exceed the limits shown in table 6.5-5, or -36 dBm, whichever value is highest.

For multicarrier BTS, the power measured shall not exceed the limits shown in table 6.5-5, or -36 dBm, whichever value is less stringent.

6.5.2.4 Complete conformance

Test environment:

Normal.

Conformance requirement

The test shall be repeated until all the TRXs specified to be tested have each been tested on the B, M and T.

The power measured shall not exceed the limits shown in table 6.5-5, or -36 dBm, whichever value is highest.

For multicarrier BTS, the power measured shall not exceed the limits shown in table 6.5-5, or -36 dBm, whichever value is less stringent.

Table 6.5-5: Switching transients spectrum - maximum limits

Offset (kHz):	Power (dBc): GSM 400, GSM900, GSM 850, MXM 850 and GSM 700 (GMSK)	Power (dBc): GSM 400, GSM900, GSM 850, MXM 850 and GSM 700 (8-PSK, QPSK, AQPSK, 16-QAM, 32-QAM)	Power (dBc) DCS1800, PCS 1900 and MXM 1900 (GMSK)	Power (dBc) DCS1800, PCS 1900 and MXM 1900 (8-PSK, QPSK, AQPSK, 16-QAM, 32-QAM)
400	-57	-52	-50	-50
600	-67	-62	-58	-58
1200	-74	-74	-66	-66
1800	-74	-74	-66	-66

6.5.2.5 Requirement reference

3GPP TS 45.005 subclause 4.2.2.

6.6 Spurious emissions from the transmitter antenna connector

The test conditions for conducted emissions are defined separately for the BSS relevant transmit band, and elsewhere.

6.6.1 Conducted spurious emissions from the transmitter antenna connector, inside the BTS transmit band

6.6.1.1 Test Purpose

This test measures spurious emissions from the BSS transmitter antenna connector inside the BSS relevant transmit band, while one transmitter is in operation.

6.6.1.2 Test Case

i) For a BTS not belonging to the multicarrier BTS class

The BTS shall be configured with one TRX active at its maximum output power on all time slots. The test shall be performed at RF channels B, M and T. Slow frequency hopping shall be disabled.

NOTE: It may be necessary to take steps to ensure that emissions from other transmitters which are not active do not influence the results. This may be achieved by, for example, equipping the BTS with only one TRX or by muting the outputs of the transmitters to a greater degree than otherwise required in GSM 05.05 (ETS 300 577), 3GPP TS 05.05 or 3GPP TS 45.005.

The transmitter antenna connector shall be connected to a spectrum analyser or selective voltmeter with the same characteristic impedance. Peak hold shall be enabled. The power shall be measured.

For frequencies with an offset of $1.8 \text{ MHz} \leq f < 6 \text{ MHz}$ from the carrier frequency, and which fall within the relevant TX band:

- The detecting device shall be configured with a resolution bandwidth of 30 kHz and a video bandwidth of approximately three times this value.

For frequencies with an offset of $\geq 6 \text{ MHz}$ from the carrier frequency, and which fall within the relevant TX band:

- The detecting device shall be configured with a resolution bandwidth of 100 kHz and a video bandwidth of approximately three times this value.

i) For a BTS not belonging to the multicarrier BTS class

The test methods and conditions specified in clause 6.5.1.2 apply for configurations with one carrier active and declared maximum output power on all time slots. For BTS configurations with more than one carrier active, the test in subclause 6.12 shall be performed in addition.

6.6.1.3 Essential conformance

Test Environment

Normal:

Conformance requirement

The maximum power measured shall not exceed -36 dBm. In case of multicarrier BTS, the requirements stated in section 6.5.1.3 for single carrier operation apply for the case of declared maximum output power.

6.6.1.4 Complete conformance

The requirement of essential conformance shall apply.

6.6.1.5 Requirement Reference

3GPP TS 05.05 subclause 4.3 or 3GPP TS 45.005 subclause 4.3.

6.6.2 Conducted spurious emissions from the transmitter antenna connector, outside the BTS transmit band

6.6.2.1 Applicability (Phase 2)

This test is applicable to equipment meeting the requirements of ETS 300 577 subclauses 4.3 and 4.7.2.

6.6.2.1.1 Test Purpose

This test measures spurious emissions from the BSS transmitter antenna connector outside the BSS relevant transmit band, while the transmitters are in operation. It also tests the intra-BTS intermodulation requirements outside the BTS transmit and receive bands.

6.6.2.1.2 Test Case

- a) The BSS shall be configured with all transmitters active at their maximum output power on all time slots. If a TRX is designated as being a dedicated BCCH, it shall be allocated to RF channel M. All remaining TRXs shall be allocated in the following order; first to RF channel B, then to T, then distributed as evenly as possible throughout the BSS transmit operating band. Slow frequency hopping shall be disabled.
- b) The transmitter antenna connector shall be connected to a spectrum analyser or selective voltmeter with the same characteristic impedance.

The detecting device shall be configured with a resolution and video bandwidth of 100 kHz. The minimum sweep time shall be at least 75 ms and the response shall be averaged over 200 sweeps.

The power shall be measured over the BSS receive operating band.

c) Step b) shall be repeated for the following frequency band:

- for a GSM 900 BSS, the band 1 805 MHz to 1 880 MHz.
- for a DCS1800 BSS, the band 925 MHz to 960 MHz.

d) If the manufacturer declares that the BSS is suitable for the co-siting of GSM900 and DCS1800 BSSs the following test shall be performed:

Step b) shall be repeated for the following frequency band:

- for a GSM900 BSS, the band 1710 MHz to 1785 MHz.
- for a DCS1800 BSS, the band 880 MHz to 915 MHz.

e) The BSS shall be configured as in step a) except that each TRX which is not a dedicated BCCH shall transmit on full power on alternate time slots. The active timeslots should be the same for all TRXs. Either odd or even timeslots may be tested. If slow frequency hopping is supported, each TRX which is not a dedicated BCCH shall hop over the full range of frequencies defined in step a).

The detecting device shall be configured as defined in table 6.6-1. Peak hold shall be enabled, and the video bandwidth shall be approximately three times the resolution bandwidth. If this video bandwidth is not available on the detecting device, it shall be the maximum available, and at least 1 MHz.

The power shall be measured over those parts of the frequency range 100 kHz to 12.75 GHz which are outside the BTS relevant transmit band.

Table 6.6-1: Spurious Emissions Measurements outside the transmit band

Frequency Band	Frequency offset	Resolution Bandwidth
100 kHz - 50 MHz		10 kHz
50 MHz - 500 MHz		100 kHz
500 MHz - 12,75 GHz and outside the relevant transmit band	(offset from the edge of the relevant transmit band)	
	≥ 2 MHz	30 kHz
	≥ 5 MHz	100 kHz
	≥ 10 MHz	300 kHz
	≥ 20 MHz	1 MHz
	≥ 30 MHz	3 MHz

6.6.2.1.3 Essential conformance

Test Environment

Normal:

Conformance requirement

- i) The maximum power measured at step c) shall not exceed -47 dBm for a GSM 900 BTS or -57 dBm for a DCS 1800 BTS
- ii) The maximum power measured at step e) shall not exceed:
 - -36 dBm for frequencies up to 1 GHz;
 - -30 dBm for frequencies above 1 GHz.

6.6.2.1.4 Complete conformance

Test Environment

Normal:

Conformance requirement

- 1) The maximum power measured at step b) shall not exceed the requirements in table 6.6-2:

Table 6.6-2: Requirements for transmitter spurious emissions in receiver bands

	GSM BSS receive band (dBm)	DCS 1800 BSS receive band (dBm)
Normal BTS	-98	-98
Micro BTS M1	-91	-96
Micro BTS M2	-86	-91
Micro BTS M3	-81	-86

- 2) The maximum power measured at step c) shall not exceed -47 dBm for a GSM 900 BSS or -57 dBm for a DCS 1800 BSS;
- 3) The maximum power measured at step e) shall not exceed:
- -36 dBm for frequencies up to 1 GHz;
 - -30 dBm for frequencies above 1 GHz.
- 4) If the manufacturer declares that the BSS is suitable for co-siting of GSM 900 and DCS 1800 BSSs, the power measured in step d) shall not exceed the requirements in table 6.6-2.

6.6.2.1.5 Requirement Reference

3GPP TS 05.05 (ETS 300 577) subclauses 4.3 and 4.7.2.

6.6.2.2 Applicability (Phase 2+)

This test is applicable to equipment meeting the requirements of 3GPP TS 05.05 subclauses 4.3 and 4.7.2, or the requirements of 3GPP TS 45.005 subclauses 4.3 and 4.7.2.

6.6.2.2.1 Test Purpose

This test measures spurious emissions from the BSS transmitter antenna connector outside the BSS relevant transmit band, while the transmitters are in operation. It also tests the intra-BTS intermodulation requirements for GSM 400, GSM 850, GSM 900, DCS 1800 and PCS 1900 outside the BTS transmit and receive bands.

6.6.2.2.2 Test Case

- a) The BSS shall be configured with all transmitters active at their maximum output power on all time slots. If a TRX is designated as being a dedicated BCCH, it shall be allocated to RF channel M. All remaining TRXs shall be allocated in the following order; first to RF channel B, then to T, then distributed as evenly as possible throughout the BSS operating transmit band. Slow frequency hopping shall be disabled.
- b) The transmitter antenna connector shall be connected to a spectrum analyser or selective voltmeter with the same characteristic impedance.

The detecting device shall be configured with a resolution and video bandwidth of 100 kHz. The minimum sweep time shall be at least 75 ms and the response shall be averaged over 200 sweeps.

The power shall be measured over the BSS operating receive band.

- c) Step b) shall be repeated for the following frequency band:
- for a GSM 900 or GSM 400 BSS, the band 1 805 MHz to 1 880 MHz.
 - for a DCS1800 or GSM 400 BSS, the band 921 MHz to 960 MHz.
 - for a GSM 850 or MXM 850 BSS, the band 1 930 MHz to 1 990 MHz.
 - for a PCS 1900 or MXM 1900 BSS, the band 869 MHz to 894 MHz.

- d) If the manufacturer declares that the BSS is suitable for the co-siting of GSM 400, GSM900 and DCS1800 BSSs or co-siting of MXM 850 and MXM 1900 BSS or co-siting of GSM 850 and PCS 1900 BSS the following test shall be performed:

Step b) shall be repeated for the following frequency band:

- for a GSM900 or GSM 400 BSS, the band 1 710 MHz to 1 785 MHz.
 - for a DCS1800 or GSM 400 BSS, the band 876 MHz to 915 MHz.
 - for a GSM 900 or DCS 1800 BSS suitable for co-siting with a GSM 400 BSS, the bands 450,4 – 457,6 MHz and 478,8 – 486,0 MHz.
 - for a GSM 850 or MXM 850 BSS, the band 1 850 MHz to 1 910 MHz.
 - for a PCS 1900 or MXM 1900 BSS, the band 824 MHz to 849 MHz.
- e) The BSS shall be configured as in step a) except that each TRX which is not a dedicated BCCH shall transmit on full power on alternate time slots. The active timeslots should be the same for all TRXs. Either odd or even timeslots may be tested. If slow frequency hopping is supported, each TRX which is not a dedicated BCCH shall hop over the full range of frequencies defined in step a).

The detecting device shall be configured as defined in table 6.6-3. Peak hold shall be enabled, and the video bandwidth shall be approximately three times the resolution bandwidth. If this video bandwidth is not available on the detecting device, it shall be the maximum available, and at least 1 MHz.

The power shall be measured over those parts of the frequency range 100 kHz to 12.75 GHz which are outside the BTS relevant transmit band.

- f) If the manufacturer declares that the BSS protects co-coverage GSM 400 systems the following test shall be performed:

Step b) shall be repeated for the following frequency band:

- for a GSM900 or DCS 1800 BSS, the bands 460,4 – 467,6 MHz and 488,8 – 496,0 MHz.

Table 6.6-3: Spurious Emissions Measurements outside the transmit band

Frequency Band	Frequency offset	Resolution Bandwidth
100 kHz - 50 MHz		10 kHz
50 MHz - 500 MHz and outside the relevant transmit band	(offset from the edge of the relevant transmit band)	
	≥ 2 MHz	30 kHz
	≥ 5 MHz	100 kHz
500 MHz - 12,75 GHz and outside the relevant transmit band	(offset from the edge of the relevant transmit band)	
	≥ 2 MHz	30 kHz
	≥ 5 MHz	100 kHz
	≥ 10 MHz	300 kHz
	≥ 20 MHz	1 MHz
	≥ 30 MHz	3 MHz

6.6.2.2.3 Essential conformance

Test Environment

Normal:

Conformance requirement

- i) The maximum power measured at step c) shall not exceed:
-47 dBm for a GSM 900, GSM 850 or MXM 850 BSS;

- 57 dBm for a DCS 1800, PCS 1900 or MXM 1900 BSS;
- 47 dBm for a GSM 400 BSS in the band 1 805 MHz to 1 880 MHz;
- 57 dBm for a GSM 400 BSS in the band 921 MHz to 960 MHz.

ii) The maximum power measured at step e) or f) shall not exceed:

- 36 dBm for frequencies up to 1 GHz;
- 30 dBm for frequencies above 1 GHz.

6.6.2.2.4 Complete conformance

Test Environment

Normal:

Conformance requirement

1) The maximum power measured at step b) shall not exceed the requirements in table 6.6-4:

Table 6.6-4: Requirements for transmitter spurious emissions in receiver bands

	GSM 400, GSM 900, GSM 850, MXM 850 and GSM 700 BSS receive band (dBm)	DCS 1800, PCS 1900 and MXM 1900 BSS receive band (dBm)
Normal BTS	-98	-98
Micro BTS M1	-91	-96
Micro BTS M2	-86	-91
Micro BTS M3	-81	-86
Pico-BTS P1	-70	-80
R-GSM 900 BTS	-89	

NOTE: Micro and pico-BTS is not defined for GSM400.

2) The maximum power measured at step c) shall not exceed:

- 47 dBm for a GSM 900, GSM 850 or MXM 850 BSS;
- 57 dBm for a DCS 1800, PCS 1900 or MXM 1900 BSS;
- 47 dBm for a GSM 400 BSS in the band 1 805 MHz to 1 880 MHz;
- 57 dBm for a GSM 400 BSS in the band 921 MHz to 960 MHz.

3) The maximum power measured at step e) shall not exceed:

- 36 dBm for frequencies up to 1 GHz
- 30 dBm for frequencies above 1 GHz

4) If the manufacturer declares that the BSS is suitable for co-siting of GSM 400, GSM 900 and DCS 1800 BSSs, the power measured in step d) shall not exceed the requirements in table 6.6-4.

5) If the manufacturer declares that the BSS is suitable for co-siting of MXM 850 and MXM 1900 BSSs or co-siting of GSM 850 and PCS 1900 BSSs, the power measured in step d) shall not exceed the requirements in table 6.6-4.

6) If the manufacturer declares that the BSS protects co-coverage GSM 400 systems the maximum power measured at step f) shall not exceed:

- 57 dBm for a GSM 900, or DCS 1800 BSS

6.6.2.2.5 Requirement Reference

3GPP TS 05.05 subclauses 4.3 and 4.7.2, or 3GPP TS 45.005 subclauses 4.3 and 4.7.2.

6.6.2.3 Applicability (Release 1999 and later releases GSM 400, GSM 900 and DCS 1800)

If this test is applicable subclause 6.6.2.2 is also applicable, unless anything else is stated.

This test is applicable to GSM 400, GSM 900 and DCS 1800 equipment supporting any of the release 1999 features GSM 400 or 8-PSK modulation with the following exceptions:

- If a BTS is built to a specification for Release 98 or earlier and is upgraded to Release 99 or later, by exchange to or addition of transceivers supporting 8-PSK, any transmitters not supporting 8-PSK shall be excluded in step a in subclause 6.6.2.3.2.

6.6.2.3.1 Test Purpose

This test measures spurious emissions from the BSS transmitter antenna connector in the UTRA UE and BS receive bands, while the transmitters are in operation.

6.6.2.3.2 Test Case

- a) The BSS shall be configured with all transmitters, not excluded according to subclause 6.6.2.3, active at their maximum output power on all time slots. If a TRX is designated as being a dedicated BCCH, it shall be allocated to RF channel M. All remaining TRXs shall be allocated in the following order; first to RF channel B, then to T, then distributed as evenly as possible throughout the BSS operating transmit band. Slow frequency hopping shall be disabled.
- b) The transmitter antenna connector shall be connected to a spectrum analyser or selective voltmeter with the same characteristic impedance.

The detecting device shall be configured with a resolution and video bandwidth of 100 kHz. The minimum sweep time shall be at least 75 ms and the response shall be averaged over 200 sweeps.

The power shall be measured for the following frequency band:

- the band 1900 - 1920 MHz.
 - the band 1920 - 1980 MHz.
 - the band 2010 - 2025 MHz.
 - the band 2110 - 2170 MHz.
- c) The BSS shall be configured with all transmitters active at their maximum output power on all time slots. If a TRX is designated as being a dedicated BCCH, it shall be allocated to RF channel M. All remaining TRXs shall be allocated in the following order; first to RF channel B, then to T, then distributed as evenly as possible throughout the BSS operating transmit band. Slow frequency hopping shall be disabled.
 - d) If the manufacturer declares that the BSS is suitable for the co-siting with UTRA BTS the following test shall be performed (with configuration according to step c) :

The transmitter antenna connector shall be connected to a spectrum analyser or selective voltmeter with the same characteristic impedance.

The detecting device shall be configured with a resolution and video bandwidth of 100 kHz. The minimum sweep time shall be at least 75 ms and the response shall be averaged over 200 sweeps.

The power shall be measured for the following frequency band:

- the band 1900 - 1920 MHz and 2010 – 2025 MHz for a BTS intended for co-siting with a UTRA/TDD BS.
- the band 1920 - 1980 MHz for a BTS intended for co-siting with a UTRA/FDD BS.

6.6.2.3.3 Essential conformance

Test Environment

Normal:

Conformance requirement

The maximum power measured at step b) shall not exceed -62 dBm.

6.6.2.3.4 Complete conformance

Test Environment

Normal:

Conformance requirement

- 1) The maximum power measured at step b) shall not exceed -62 dBm.
- 2) If the manufacturer declares that the BSS is suitable for co-siting with one or more types of UTRA BTS, the power measured in step d) shall not exceed -96 dBm.

6.6.2.3.5 Requirement Reference

3GPP TS 05.05 subclause 4.3.2.2 or 3GPP TS 45.005 subclause 4.3.2.3.

6.6.2.4 Applicability (Release 4 and later releases GSM 700, GSM 850 and PCS 1900)

If this test is applicable subclause 6.6.2.2 is also applicable.

6.6.2.4.1 Test Purpose

This test measures spurious emissions from the BSS transmitter antenna connector outside the BSS relevant transmit band, while the transmitters are in operation. It also tests the intra-BTS intermodulation requirements for GSM 700, GSM 850 and PCS 1900 outside the BTS transmit and receive bands.

6.6.2.4.2 Test Case

- a) The BSS shall be configured with all transmitters active at their maximum output power on all time slots. If a TRX is designated as being a dedicated BCCH, it shall be allocated to RF channel M. All remaining TRXs shall be allocated in the following order; first to RF channel B, then to T, then distributed as evenly as possible throughout the BSS operating transmit band. Slow frequency hopping shall be disabled.
- b) The transmitter antenna connector shall be connected to a spectrum analyser or selective voltmeter with the same characteristic impedance.

The detecting device shall be configured with a resolution and video bandwidth of 100 kHz. The minimum sweep time shall be at least 75 ms and the response shall be averaged over 200 sweeps.

The power shall be measured over the BSS operating receive band.

- c) Step b) shall be performed for the following frequency band:
 - For a GSM 850 or PCS 1900 BSS, the band 747 – 763 MHz.
 - For a GSM 700 BSS, the band 1 930 – 1 990 MHz.
 - For a GSM 700 BSS, the band 869 – 894 MHz.
- d) If the manufacturer declares that the BSS is suitable for the co-siting GSM 700, GSM 850 and PCS 1900 BSS the following test shall be performed:

Step b) shall be performed for the following frequency band:

- for a GSM 850 or PCS 1900 BSS suitable for co-siting with a GSM 700 BSS, the band 777 – 793 MHz.
- for a GSM 700 BSS suitable for co-siting with a GSM 850 BSS, the band 824 – 849 MHz.
- for a GSM 700 BSS suitable for co-siting with a PCS 1900 BSS, the band 1 850 – 1 910 MHz.

6.6.2.4.3 Essential conformance

Test Environment

Normal:

Conformance requirement

- i) The maximum power measured at step c) shall not exceed:
 - 47 dBm for a GSM 700 BSS in the band 1 930 – 1 990 MHz;
 - 57 dBm for a GSM 700 BSS in the band 869 – 894 MHz.
 - 57 dBm for a GSM 850 or PCS 1900 BSS in the band 747 – 763 MHz.

6.6.2.4.4 Complete conformance

Test Environment

Normal:

Conformance requirement

- 1) The maximum power measured at step b) shall not exceed the requirements in table 6.6-4:
- 2) The maximum power measured at step c) shall not exceed:
 - 47 dBm for a GSM 700 BSS in the band 1 930 – 1 990 MHz;
 - 57 dBm for a GSM 700 BSS in the band 869 – 894 MHz.
 - 57 dBm for a GSM 850 or PCS 1900 BSS in the band 747 – 763 MHz.
- 3) If the manufacturer declares that the BSS is suitable for co-siting of GSM 850, PCS 1900 and GSM 700 BSSs, the power measured in step d) shall not exceed the requirements in table 6.6-4.

6.6.2.4.5 Requirement Reference

3GPP TS 45.005 [22] subclauses 4.3.2 .

6.6.2.5 Applicability (Release 7 and later releases GSM 400, T-GSM 810, GSM 900 and DCS 1800)

If this test is applicable subclause 6.6.2.2 and 6.6.2.3 are also applicable.

This test is applicable to equipment meeting the requirements of 3GPP TS 45.005 subclauses 4.3 and 4.7.2.

6.6.2.5.1 Test Purpose

This test measures spurious emissions from the BSS transmitter antenna connector outside the BSS relevant transmit band, while the transmitters are in operation. It also tests the intra-BTS intermodulation requirements for GSM 400, T-GSM810, GSM 900 and DCS 1800 outside the BTS transmit and receive bands.

6.6.2.5.2 Test Case

- a) The BSS shall be configured with all transmitters active at their maximum output power on all time slots. If a TRX is designated as being a dedicated BCCH, it shall be allocated to RF channel M. All remaining TRXs shall be allocated in the following order; first to RF channel B, then to T, then distributed as evenly as possible throughout the BSS operating transmit band. Slow frequency hopping shall be disabled.
- b) The transmitter antenna connector shall be connected to a spectrum analyser or selective voltmeter with the same characteristic impedance.

The detecting device shall be configured with a resolution and video bandwidth of 100 kHz. The minimum sweep time shall be at least 75 ms and the response shall be averaged over 200 sweeps.

The power shall be measured over the BSS operating receive band.

- c) Step b) shall be repeated for the following frequency band:
- for a T-GSM 810, GSM 900 or GSM 400 BSS, the band 1 805 – 1 880 MHz.
 - for a T-GSM 810, DCS1800 or GSM 400 BSS, the band 921 – 960 MHz.
 - for a GSM900, DCS1800 or GSM 400 BSS, the band 851 – 866 MHz.
- d) If the manufacturer declares that the BSS is suitable for the co-siting of GSM 400, GSM900 and DCS1800 BSSs the following test shall be performed:

Step b) shall be repeated for the following frequency band:

- for a T-GSM810, GSM900 or GSM 400 BSS suitable for co-siting with a DCS 1800 BSS, the band 1 710 – 1 785 MHz.
 - for a T-GSM810, DCS1800 or GSM 400 BSS suitable for co-siting with a GSM 900 BSS, the band 876 – 915 MHz.
 - for a GSM900, DCS1800 or GSM 400 BSS suitable for co-siting with a T-GSM810 BSS, the band 806 – 821 MHz.
 - for a T-GSM810, GSM 900 or DCS 1800 BSS suitable for co-siting with a GSM 400 BSS, the bands 450,4 – 457,6 MHz and 478,8 – 486,0 MHz.
- e) The BSS shall be configured as in step a) except that each TRX which is not a dedicated BCCH shall transmit on full power on alternate time slots. The active timeslots should be the same for all TRXs. Either odd or even timeslots may be tested. If slow frequency hopping is supported, each TRX which is not a dedicated BCCH shall hop over the full range of frequencies defined in step a).

The detecting device shall be configured as defined in table 6.6-3. Peak hold shall be enabled, and the video bandwidth shall be approximately three times the resolution bandwidth. If this video bandwidth is not available on the detecting device, it shall be the maximum available, and at least 1 MHz.

The power shall be measured over those parts of the frequency range 100 kHz to 12.75 GHz which are outside the BTS relevant transmit band.

- f) If the manufacturer declares that the BSS protects co-coverage GSM 400 systems the following test shall be performed:

Step b) shall be repeated for the following frequency band:

- for a T-GSM810, GSM900 or DCS 1800 BSS, the bands 460,4 – 467,6 MHz and 488,8 – 496,0 MHz.

Table 6.6-3: Spurious Emissions Measurements outside the transmit band

Frequency Band	Frequency offset	Resolution Bandwidth
100 kHz - 50 MHz		10 kHz
50 MHz - 500 MHz and outside the relevant transmit band	(offset from the edge of the relevant transmit band)	
	≥ 2 MHz	30 kHz
	≥ 5 MHz	100 kHz
500 MHz - 12,75 GHz and outside the relevant transmit band	(offset from the edge of the relevant transmit band)	
	≥ 2 MHz	30 kHz
	≥ 5 MHz	100 kHz
	≥ 10 MHz	300 kHz
	≥ 20 MHz	1 MHz
	≥ 30 MHz	3 MHz

6.6.2.5.3 Essential conformance

Test Environment

Normal:

Conformance requirement

- i) The maximum power measured at step c) and f) shall not exceed:
 - 47 dBm for a GSM 900, GSM 400 or T-GSM810 BSS in the band 1 805 – 1 880 MHz;
 - 57 dBm for a GSM 900, DCS 1800 or GSM 400 BSS in the band 851 – 866 MHz;
 - 57 dBm for a GSM 900, DCS 1800 or T-GSM810 BSS in the bands 460.4 – 467.6 MHz and 488.8 – 496.0 MHz;;
 - 57 dBm for a DCS 1800, GSM 400 or T-GSM810 BSS in the band 921 – 960 MHz.
- ii) The maximum power measured at step e) shall not exceed:
 - 36 dBm for frequencies up to 1 GHz;
 - 30 dBm for frequencies above 1 GHz.

6.6.2.5.4 Complete conformance

Test Environment

Normal:

Conformance requirement

- 1) The maximum power measured at step b) shall not exceed the requirements in table 6.6-5:

Table 6.6-5: Requirements for transmitter spurious emissions in receiver bands

	GSM 400, T-GSM 810, GSM 900 BSS receive band (dBm)	DCS 1800 BSS receive band (dBm)
Normal BTS	-98	-98
Micro BTS M1	-91	-96
Micro BTS M2	-86	-91
Micro BTS M3	-81	-86
Pico-BTS P1	-70	-80
R-GSM 900 BTS	-89	
NOTE: Micro and pico-BTS is not defined for GSM400.		

- 2) The maximum power measured at step c) and f) shall not exceed:

- 47 dBm for a GSM 900, GSM 400 or T-GSM810 BSS in the band 1 805 - 1 880 MHz;
- 57 dBm for a GSM 900, DCS 1800 or GSM 400 BSS in the band 851 - 866 MHz;
- 57 dBm for a GSM 900, DCS 1800 or T-GSM810 BSS in the bands 460.4 – 467.6 MHz and 488.8 – 496.0 MHz;
- 57 dBm for a DCS 1800, GSM 400 or T-GSM810 BSS in the band 921 – 960 MHz.

3) The maximum power measured at step e) shall not exceed:

- 36 dBm for frequencies up to 1 GHz
- 30 dBm for frequencies above 1 GHz

4) If the manufacturer declares that the BSS is suitable for co-siting of GSM 400, T-GSM810, GSM 900 and DCS 1800 BSSs, the power measured in step d) shall not exceed the requirements in table 6.6-5.

6.6.2.5.5 Requirement Reference

3GPP TS 45.005 subclauses 4.3 and 4.7.2.

6.6.2.5a Applicability (Release 7 and later releases GSM 700, GSM 850 and PCS 1900)

This test is applicable to equipment meeting the requirements of 3GPP TS 45.005 subclauses 4.3 and 4.7.2.

6.6.2.5a.1 Test Purpose

This test measures spurious emissions from the BSS transmitter antenna connector outside the BSS relevant transmit band, while the transmitters are in operation. It also tests the intra-BTS intermodulation requirements for GSM 700, GSM 850 and PCS 1900 outside the BTS transmit and receive bands.

6.6.2.5a.2 Test Case

- a) The BSS shall be configured with all transmitters active at their maximum output power on all time slots. If a TRX is designated as being a dedicated BCCH, it shall be allocated to RF channel M. All remaining TRXs shall be allocated in the following order; first to RF channel B, then to T, then distributed as evenly as possible throughout the BSS operating transmit band. Slow frequency hopping shall be disabled.
- b) The transmitter antenna connector shall be connected to a spectrum analyser or selective voltmeter with the same characteristic impedance.

The detecting device shall be configured with a resolution and video bandwidth of 100 kHz. The minimum sweep time shall be at least 75 ms and the response shall be averaged over 200 sweeps.

The power shall be measured over the BSS operating receive band.

- c) Step b) shall be performed for the following frequency band:
 - For a GSM 850 or PCS 1900 BSS, the band 728 – 763 MHz.
 - For a GSM 700 or GSM 850 BSS, the band 1 930 – 1 990 MHz.
 - For a GSM 700 or PCS 1900 BSS, the band 869 – 894 MHz.
- d) If the manufacturer declares that the BSS is suitable for the co-siting GSM 700, GSM 850 and PCS 1900 BSS the following test shall be performed:

Step b) shall be performed for the following frequency band:

 - for a GSM 850 or PCS 1900 BSS suitable for co-siting with a GSM 700 BSS, the bands 698 – 716 MHz and 777 – 793 MHz.

- for a GSM 700 or PCS 1900 BSS suitable for co-siting with a GSM 850 BSS, the band 824 – 849 MHz.
- for a GSM 700 or GSM 850 BSS suitable for co-siting with a PCS 1900 BSS, the band 1 850 – 1 910 MHz.

6.6.2.5a.3 Essential conformance

Test Environment

Normal:

Conformance requirement

- i) The maximum power measured at step c) shall not exceed:
 - 47 dBm for a GSM 700 or GSM 850 BSS in the band 1 930 – 1 990 MHz;
 - 57 dBm for a GSM 700 or PCS 1900 BSS in the band 869 – 894 MHz.
 - 57 dBm for a GSM 850 or PCS 1900 BSS in the band 728 – 763 MHz.

6.6.2.5a.4 Complete conformance

Test Environment

Normal:

Conformance requirement

- 1) The maximum power measured at step b) shall not exceed the requirements in table 6.6-4:
- 2) The maximum power measured at step c) shall not exceed:
 - 47 dBm for a GSM 700 or GSM 850 BSS in the band 1 930 – 1 990 MHz;
 - 57 dBm for a GSM 700 or PCS 1900 BSS in the band 869 – 894 MHz.
 - 57 dBm for a GSM 850 or PCS 1900 BSS in the band 728 – 763 MHz.
- 3) If the manufacturer declares that the BSS is suitable for co-siting of GSM 850, PCS 1900 and GSM 700 BSSs, the power measured in step d) shall not exceed the requirements in table 6.6-4.

6.6.2.5a.5 Requirement Reference

3GPP TS 45.005 [22] subclauses 4.3.2 .

6.6.2.6 Applicability (Release 8 and later releases GSM 400, T-GSM 810, GSM 900 and DCS 1800)

This subclause replaces subclause 6.6.2.2 for equipment belonging to the multicarrier BTS class.

This test is applicable to equipment meeting the requirements of 3GPP TS 45.005 subclauses 4.3 and 4.7.2.

6.6.2.6.1 Test Purpose

This test measures spurious emissions from the BSS transmitter antenna connectors outside the BSS relevant transmit band for the multicarrier BTS, while the carriers are in operation. It also tests the intra-BTS intermodulation requirements for GSM 400, T-GSM810, GSM 900 and DCS 1800 outside the BTS transmit and receive bands.

6.6.2.6.2 Test Case

- a) The BSS shall be configured with the maximum number of carriers per antenna connector active at their corresponding maximum output power on all time slots. All carriers shall be distributed according to test case b) in subclause 6.12.2 throughout the maximum Base Station RF bandwidth, including the lowest and highest possible RF channels. If a carrier is designated as being a dedicated BCCH, it shall be allocated to RF channel in the middle of the maximum Base Station RF bandwidth. The maximum Base Station RF bandwidth shall include RF channel B and in a repeated test RF channel T. Slow frequency hopping shall be disabled
- b) Each transmitter antenna connector shall be connected to a spectrum analyser or selective voltmeter with the same characteristic impedance.

The detecting device shall be configured with a resolution and video bandwidth of 100 kHz. The minimum sweep time shall be at least 75 ms and the response shall be averaged over 200 sweeps.

The power shall be measured over the BSS operating receive band.

- c) Step b) shall be repeated for the following frequency band:
- for a T-GSM 810, GSM 900 or GSM 400 BSS, the band 1 805 – 1 880 MHz.
 - for a T-GSM 810, DCS1800 or GSM 400 BSS, the band 921 – 960 MHz.
 - for a GSM900, DCS1800 or GSM 400 BSS, the band 851 – 866 MHz.
- d) If the manufacturer declares that the BSS is suitable for the co-siting of GSM 400, GSM900, DCS1800 and T-GSM810 BSSs the following test shall be performed:

Step b) shall be repeated for the following frequency band:

- for a T-GSM810, GSM900 or GSM 400 BSS suitable for co-siting with a DCS 1800 BSS, the band 1 710 – 1 785 MHz.
 - for a T-GSM810, DCS1800 or GSM 400 BSS suitable for co-siting with a GSM 900 BSS, the band 876 – 915 MHz.
 - for a GSM900, DCS1800 or GSM 400 BSS suitable for co-siting with a T-GSM810 BSS, the band 806 – 821 MHz.
 - for a T-GSM810, GSM 900 or DCS 1800 BSS suitable for co-siting with a GSM 400 BSS, the bands 450,4 – 457,6 MHz and 478,8 – 486,0 MHz.
- e) The BSS shall be configured as in step a) except that each carrier which is not a dedicated BCCH shall transmit on full power on alternate time slots. The active timeslots should be the same for all carriers. Either odd or even timeslots may be tested. If slow frequency hopping is supported, each carrier which is not a dedicated BCCH shall hop over the full range of frequencies defined in step a).

The detecting device shall be configured as defined in table 6.6-6. RMS detector mode shall be enabled, and the video bandwidth shall be approximately three times the resolution bandwidth. If this video bandwidth is not available on the detecting device, it shall be the maximum available, and at least 1 MHz.

The power shall be measured over those parts of the frequency range 100 kHz to 12.75 GHz which are outside the BTS relevant transmit band.

- f) If the manufacturer declares that the BSS protects co-coverage GSM 400 systems the following test shall be performed:

Step b) shall be repeated for the following frequency band:

- for a T-GSM810, GSM900 or DCS 1800 BSS, the bands 460,4 – 467,6 MHz and 488,8 – 496,0 MHz.
- g) Test e) is repeated for two cases: when the carriers not supporting BCCH are located at minimum carrier frequency spacing at RF channel B and upwards and when allocated at RF channel T and downwards.

Table 6.6-6: Spurious Emissions Measurements outside the transmit band

Frequency Band	Frequency offset	Resolution Bandwidth
100 kHz - 50 MHz		10 kHz
50 MHz - 500 MHz and outside the relevant transmit band	(offset from the edge of the relevant transmit band)	
	≥ 2 MHz	30 kHz
	≥ 5 MHz	100 kHz
500 MHz - 1000 MHz and outside the relevant transmit band	(offset from the edge of the relevant transmit band)	
	≥ 2 MHz	30 kHz
	≥ 5 MHz	100 kHz
	≥ 10 MHz	300 kHz
	≥ 20 MHz	1 MHz
	≥ 30 MHz	3 MHz
1000 MHz - 12,75 GHz and outside the relevant transmit band	(offset from the edge of the relevant transmit band)	
	≥ 2 MHz	30 kHz
	≥ 5 MHz	100 kHz
	≥ 10 MHz	300 kHz / 1 MHz ^(note)
	≥ 20 MHz	1 MHz
	≥ 30 MHz	3 MHz

NOTE: 1 MHz measurement bandwidth applies only to BTS belonging to the multicarrier BTS class

6.6.2.6.3 Essential conformance

Test Environment

Normal.

Conformance requirement

- 1) The maximum power measured at step c) and f) shall not exceed:
 - 47 dBm for a GSM 900, GSM 400 or T-GSM810 BSS in the band 1 805 – 1 880 MHz;
 - 57 dBm for a GSM 900, DCS 1800 or GSM 400 BSS in the band 851 – 866 MHz;
 - 57 dBm for a GSM 900, DCS 1800 or T-GSM810 BSS in the bands 460.4 – 467.6 MHz and 488.8 – 496.0 MHz;
 - 57 dBm for a DCS 1800, GSM 400 or T-GSM810 BSS, in the band 921 – 960 MHz;
- 1a) The maximum power measured at step b) for multicarrier BTS shall not exceed:
 - 98 dBm in the operating receive band.
- 2) The maximum power measured at step e) and g) for multicarrier BTS shall not exceed the values for the multicarrier BTS class in table 6.6-4, where Δf is the frequency offset from the edge of the relevant TX band. For offsets less than 10 MHz the power measured shall not exceed the requirements in 6.12.3 or the values for the multicarrier BTS class in table 6.6-4, whichever is most stringent.

Table 6.6-4: Spurious Emissions Measurements outside the transmit band for the multicarrier BTS class

Band	Frequency offset outside relevant transmit band	Maximum power limit
9 kHz to 1 GHz	≥ 2 MHz	-25 dBm
	≥ 5 MHz	$-20-4,2*(\Delta f-5)$ dBm
	≥ 10 MHz	-36 dBm
1 GHz to 12.75 GHz	≥ 2 MHz	-25 dBm
	≥ 5 MHz	$-20-3*(\Delta f-5)$ dBm
	≥ 10 MHz	-30 dBm

6.6.2.6.4 Complete conformance

Test Environment

Normal:

Conformance requirement

- 1) The maximum power measured at step b) shall not exceed the requirements in table 6.6-5:

Table 6.6-5: Requirements for transmitter spurious emissions in receiver bands

	GSM 400, T-GSM 810, GSM 900 BSS receive band (dBm)	DCS 1800 BSS receive band (dBm)
Normal BTS	-98	-98
Micro BTS M1	-91	-96
Micro BTS M2	-86	-91
Micro BTS M3	-81	-86
Pico-BTS P1	-70	-80
R-GSM 900 BTS	-89	

NOTE: Micro and pico-BTS is not defined for GSM400.

- 2) The maximum power measured at step c) and f) shall not exceed:

-47 dBm for a GSM 900, GSM 400 or T-GSM810 BSS in the band 1 805 – 1 880 MHz;

-57 dBm for a GSM 900, DCS 1800 or GSM 400 BSS in the band 851 – 866 MHz;

-57 dBm for a GSM 900, DCS 1800 or T-GSM810 BSS in the bands 460.4 – 467.6 MHz and 488.8 – 496.0 MHz;

-57 dBm for a DCS 1800, GSM 400 or T-GSM810 BSS in the band 921 – 960 MHz;

- 3) The maximum power measured at step e) and g) for multicarrier BTS shall not exceed the values for the multicarrier BTS class in table 6.6-7, where Δf is the frequency offset from the edge of the relevant TX band. For offsets less than 10 MHz the power measured shall not exceed the requirements in 6.12.3 or the values for the multicarrier BTS class in table 6.6-7, whichever is most stringent.

Table 6.6-7: Spurious Emissions Measurements outside the transmit band for the multicarrier BTS class

Band	Frequency offset outside relevant transmit band	Maximum power limit
9 kHz to	≥ 2 MHz	-25 dBm

1 GHz	≥ 5 MHz	-20-4,2*(Δf -5) dBm
	≥ 10 MHz	-36 dBm
1 GHz to 12.75 GHz	≥ 2 MHz	-25 dBm
	≥ 5 MHz	-20-3*(Δf -5) dBm
	≥ 10 MHz	-30 dBm

- 4) If the manufacturer declares that the BSS is suitable for co-siting of GSM 400, T-GSM810, GSM 900 and DCS 1800 BSSs, the power measured in step d) shall not exceed the requirements in table 6.6-5.

6.6.2.6.5 Requirement Reference

3GPP TS 45.005 subclauses 4.3 and 4.7.2.

6.6.2.7 Applicability (Release 8 and later releases GSM 700, GSM 850 and PCS 1900)

This subclause replaces subclause 6.6.2.2 for equipment belonging to the multicarrier BTS class.

This test is applicable to equipment meeting the requirements of 3GPP TS 45.005 subclauses 4.3 and 4.7.2.

6.6.2.7.1 Test Purpose

This test measures spurious emissions from the BSS transmitter antenna connectors outside the BSS relevant transmit band for the multicarrier BTS, while the carriers are in operation. It also tests the intra-BTS intermodulation requirements for GSM 700, GSM 850 and PCS 1900 outside the BTS transmit and receive bands.

6.6.2.7.2 Test Case

- a) The BSS shall be configured with the maximum number of carriers per antenna connector active at their corresponding maximum output power on all time slots. All carriers shall be distributed according to test case b) in subclause 6.12.2 throughout the maximum Base Station RF bandwidth, including the lowest and highest possible RF channels. If a carrier is designated as being a dedicated BCCH, it shall be allocated to RF channel in the middle of the maximum Base Station RF bandwidth. The maximum Base Station RF bandwidth shall include RF channel B and in a repeated test RF channel T. Slow frequency hopping shall be disabled
- b) Each transmitter antenna connector shall be connected to a spectrum analyser or selective voltmeter with the same characteristic impedance.

The detecting device shall be configured with a resolution and video bandwidth of 100 kHz. The minimum sweep time shall be at least 75 ms and the response shall be averaged over 200 sweeps.

The power shall be measured over the BSS operating receive band.

- c) Step b) shall be repeated for the following frequency band:
 - for a GSM 850 or PCS 1900 BSS, the band 728 – 763 MHz.
 - for a GSM 700 BSS or GSM 850 BSS, the band 1 930 – 1 990 MHz.
 - for a GSM700 BSS or PCS 1900 BSS, the band 869 – 894 MHz.
- d) If the manufacturer declares that the BSS is suitable for the co-siting of GSM 700, GSM850 and PCS1900 BSSs the following test shall be performed:

Step b) shall be repeated for the following frequency band:

- for a GSM850 or PCS 1900 BSS suitable for co-siting with a GSM 700 BSS, the bands 698 – 716 MHz and 777 – 793 MHz.
- for a GSM 700 or PCS 1900 BSS suitable for co-siting with a GSM 850 BSS, the band 824 – 849 MHz.

- for a GSM 700 or GSM 850 BSS suitable for co-siting with a PCS 1900 BSS, the band 1 850 – 1 910 MHz.
 - for a GSM 700, GSM 850 or PCS 1900 BSS suitable for co-siting with E-UTRA/FDD, the band 832 – 847 MHz.
- e) The BSS shall be configured as in step a) except that each carrier which is not a dedicated BCCH shall transmit on full power on alternate time slots. The active timeslots should be the same for all TRXs. Either odd or even timeslots may be tested. If slow frequency hopping is supported, each TRX which is not a dedicated BCCH shall hop over the full range of frequencies defined in step a).

The detecting device shall be configured as defined in table 6.6-8. RMS detector mode shall be enabled, and the video bandwidth shall be approximately three times the resolution bandwidth. If this video bandwidth is not available on the detecting device, it shall be the maximum available, and at least 1 MHz.

The power shall be measured over those parts of the frequency range 100 kHz to 12.75 GHz which are outside the BTS relevant transmit band.

- f) Test e) is repeated for two cases: when the carriers not supporting BCCH are located at minimum carrier frequency spacing at RF channel B and upwards and when allocated at RF channel T and downwards.

Table 6.6-8: Spurious Emissions Measurements outside the transmit band

Frequency Band	Frequency offset	Resolution Bandwidth
100 kHz - 50 MHz		10 kHz
50 MHz - 500 MHz and outside the relevant transmit band	(offset from the edge of the relevant transmit band)	
	≥ 2 MHz	30 kHz
	≥ 5 MHz	100 kHz
500 MHz - 1000 MHz and outside the relevant transmit band	(offset from the edge of the relevant transmit band)	
	≥ 2 MHz	30 kHz
	≥ 5 MHz	100 kHz
	≥ 10 MHz	300 kHz
	≥ 20 MHz	1 MHz
	≥ 30 MHz	3 MHz
1000 MHz - 12,75 GHz and outside the relevant transmit band	(offset from the edge of the relevant transmit band)	
	≥ 2 MHz	30 kHz
	≥ 5 MHz	100 kHz
	≥ 10 MHz	1 MHz
	≥ 20 MHz	1 MHz
	≥ 30 MHz	3 MHz

6.6.2.7.3 Essential conformance

Test Environment

Normal:

Conformance requirement

- 1) The maximum power measured at step c) shall not exceed:
 - 47 dBm for a GSM 700 or GSM 850 BSS in the band 1 930 – 1 990 MHz;
 - 57 dBm for a GSM 700 or PCS 1900 BSS in the band 869 – 894 MHz;
 - 57 dBm for a GSM 850 or PCS 1900 BSS in the bands 728 – 763 MHz;
 - 62 dBm for GSM 700, GSM 850 or PCS 1900 BSS in the band 791 – 806 MHz.

- 1a) In addition for multicarrier BTS, the maximum power measured at step b) shall not exceed:

-98 dBm in the operating receive band.

2) The maximum power measured at step e) and f) for multicarrier BTS shall not exceed the values for the multicarrier BTS class in table 6.6-9, where Δf is the frequency offset from the edge of the relevant TX band. For offsets less than 10 MHz the power measured shall not exceed the requirements in 6.12.3 or the values for the multicarrier BTS class in table 6.6-9, whichever is most stringent.

Table 6.6-9: Spurious Emissions Measurements outside the transmit band for the multicarrier BTS class

Band	Frequency offset outside relevant transmit band	Maximum power limit
9 kHz to 1 GHz	≥ 2 MHz	-25 dBm
	≥ 5 MHz	$-20-4,2*(\Delta f-5)$ dBm
	≥ 10 MHz	-36 dBm
1 GHz to 12.75 GHz	≥ 2 MHz	-25 dBm
	≥ 5 MHz	$-20-3*(\Delta f-5)$ dBm
	≥ 10 MHz	-30 dBm

6.6.2.7.4 Complete conformance

Test Environment

Normal:

Conformance requirement

1) The maximum power measured at step b) shall not exceed the requirements in table 6.6-5:

Table 6.6-5: Requirements for transmitter spurious emissions in receiver bands

	GSM 700 & GSM 850 BSS receive band (dBm)	PCS 1900 BSS receive band (dBm)	E-UTRA/FDD BS receive band (dBm)
Normal BTS	-98	-98	-96
Micro BTS M1	-91	-96	-
Micro BTS M2	-86	-91	-
Micro BTS M3	-81	-86	-
Pico-BTS P1	-70	-80	-

2) The maximum power measured at step c) shall not exceed:

-47 dBm for a GSM 700 or GSM 850 in the band 1 930 – 1 990 MHz;

-57 dBm for a GSM 700 BTS or PCS 1900 in the band 869 – 894 MHz;

-57 dBm for a GSM 850 or PCS 1900 BSS in the band 728 – 763 MHz;

-62 dBm for GSM 700, GSM 850 or PCS 1900 BSS in the bands 791 – 806 MHz and 832 – 847 MHz.

3) The maximum power measured at step e) and f) for multicarrier BTS shall not exceed the values for the multicarrier BTS class in table 6.6-9, where Δf is the frequency offset from the edge of the relevant TX band. For offsets less than 10 MHz the power measured shall not exceed the requirements in 6.12.3 or the values for the multicarrier BTS class in table 6.6-9, whichever is most stringent.

Table 6.6-9: Spurious Emissions Measurements outside the transmit band for the multicarrier BTS class

Band	Frequency offset outside relevant transmit band	Maximum power limit
9 kHz to 1 GHz	≥ 2 MHz	-25 dBm
	≥ 5 MHz	$-20-4,2*(\Delta f-5)$ dBm
	≥ 10 MHz	-36 dBm
1 GHz to 12.75 GHz	≥ 2 MHz	-25 dBm
	≥ 5 MHz	$-20-3*(\Delta f-5)$ dBm
	≥ 10 MHz	-30 dBm

- 4) If the manufacturer declares that the BSS is suitable for co-siting of GSM 700, GSM850 or PCS 1900 BSSs, the power measured in step d) shall not exceed the requirements in table 6.6-5.

6.6.2.7.5 Requirement Reference

3GPP TS 45.005 subclauses 4.3 and 4.7.2.

6.6.2.8 Applicability (Release 8 and later releases GSM 400, GSM 900 and DCS 1800)

If this test is applicable, this subclause replaces subclause 6.6.2.2 for all types of base stations.

This test is applicable to GSM 400, GSM 900 and DCS 1800 equipment supporting any of the release 8 features with the following exceptions:

- If a BTS is built to a specification for Release 98 or earlier and is upgraded to Release 99 or later, by exchange to or addition of transceivers supporting 8-PSK, any transmitters not supporting 8-PSK shall be excluded in step a) in subclause 6.6.2.8.2.

6.6.2.8.1 Test Purpose

This test measures spurious emissions from the BSS transmitter antenna connector in the UTRA UE and BS receive bands, while the transmitters are in operation.

6.6.2.8.2 Test Case

- a) The BSS shall be configured with all transmitters, not excluded according to subclause 6.6.2.8, active at their maximum output power on all time slots. If a TRX is designated as being a dedicated BCCH, it shall be allocated to RF channel M. All remaining TRXs shall be allocated in the following order; first to RF channel B, then to T, then distributed as evenly as possible throughout the BSS operating transmit band. Slow frequency hopping shall be disabled.

In case of multicarrier BTS the BSS shall be configured with the maximum number of carriers per antenna connector active at their corresponding maximum output power on all time slots. All carriers shall be distributed according to test case b) in subclause 6.12.2 throughout the maximum Base Station RF bandwidth, including the lowest and highest possible RF channels. If a carrier is designated as being a dedicated BCCH, it shall be allocated to RF channel in the middle of the maximum Base Station RF bandwidth. The maximum Base Station RF bandwidth shall include RF channel B and in a repeated test RF channel T. Slow frequency hopping shall be disabled.

- b) Each transmitter antenna connector shall be connected to a spectrum analyser or selective voltmeter with the same characteristic impedance.

The detecting device shall be configured with a resolution and video bandwidth of 100 kHz. The minimum sweep time shall be at least 75 ms and the response shall be averaged over 200 sweeps.

The power shall be measured for the following frequency band:

- the bands 791 – 821 and 832 – 862 MHz.
 - the band 1900 - 1920 MHz.
 - the band 1920 - 1980 MHz.
 - the band 2010 - 2025 MHz.
 - the band 2110 - 2170 MHz.
 - the band 2300 – 2400 MHz.
 - the band 2620 – 2690 MHz.
 - the band 1880 – 1920 MHz (Only if regionally required)
- c) The BSS shall be configured with all transmitters active at their maximum output power on all time slots. If a TRX is designated as being a dedicated BCCH, it shall be allocated to RF channel M. All remaining TRXs shall be allocated in the following order; first to RF channel B, then to T, then distributed as evenly as possible throughout the BSS operating transmit band. Slow frequency hopping shall be disabled.

In case of multicarrier BTS the BSS shall be configured with the maximum number of carriers per antenna connector active at their corresponding maximum output power on all time slots. All carriers shall be distributed according to test case b) in subclause 6.12.2 throughout the maximum Base Station RF bandwidth, including the lowest and highest possible RF channels. If a carrier is designated as being a dedicated BCCH, it shall be allocated to RF channel in the middle of the maximum Base Station RF bandwidth. The maximum Base Station RF bandwidth shall include RF channel B and in a repeated test RF channel T. Slow frequency hopping shall be disabled.

- d) If the manufacturer declares that the BSS is suitable for the co-siting with UTRA BTS the following test shall be performed (with configuration according to step c) :

The transmitter antenna connector shall be connected to a spectrum analyser or selective voltmeter with the same characteristic impedance.

The detecting device shall be configured with a resolution and video bandwidth of 100 kHz. The minimum sweep time shall be at least 75 ms and the response shall be averaged over 200 sweeps.

The power shall be measured for the following frequency band:

- the band 1900 - 1920 MHz, 2010 – 2025 MHz and 2300 – 2400 MHz for a BTS intended for co-siting with a E-UTRA/TDD BS.
- the bands 832 – 862 MHz, 1920 - 1980 MHz and 2500 – 2570 MHz for a BTS intended for co-siting with a UTRA/FDD or E-UTRA/FDD BS.
- The band 1880 – 1920 MHz for a BTS intended for co-siting with a E-UTRA/TDD BS (Only if regionally required).

6.6.2.8.3 Essential conformance

Test Environment

Normal:

Conformance requirement

The maximum power measured at step b) shall not exceed -62 dBm.

6.6.2.8.4 Complete conformance

Test Environment

Normal:

Conformance requirement

1. The maximum power measured at step b) shall not exceed -62 dBm.
2. If the manufacturer declares that the BSS is suitable for co-siting with one or more types of UTRA or E-UTRA BS, the power measured in step d) shall not exceed -96 dBm.

6.6.2.8.5 Requirement Reference

3GPP TS 45.005 subclause 4.3.2.3.

6.7 Intermodulation attenuation (GSM 400, GSM 900 and DCS 1800)

6.7.1 Test purpose

To verify that the RF transmit equipment is able to restrict the generation of signals in its non-linear elements caused by the presence of the RF output from the transmitter and an interfering signal reaching the transmitter via its antenna to below specified levels.

6.7.2 Test case

If SFH is supported by the BSS, it shall be disabled during this measurement.

The Manufacturer shall declare how many TRXs the BSS supports. The BSS shall be configured with the maximum number of TRXs supported. The test shall be performed for the number of TRXs and the frequencies defined in the conformance requirement.

Only the TRX under test shall be active. All remaining TRXs shall be idle on an ARFCN within the transmit *operating* band for the BSS.

NOTE 1: It is particularly important, for a BSS which uses a tuned transmitter combiner, that all sections of the combiner are set to frequencies within the transmit *operating* band of the BSS during this test.

The antenna output of the RF transmit equipment under test, including the combiner, shall be connected to a coupling device, presenting to the RF equipment a load with an impedance of 50 ohms. The frequency of the test signal shall be within the transmit operating band (see subclause 4.2). The test signal shall be unmodulated and the frequency shall be X MHz offset from the frequency of the RF transmit equipment under test. The TRX under test shall be set to highest static power control level and the test signal power level shall be adjusted 30 dB below this value. The test signals are illustrated in figure 6.7-1. The power level of the test signal shall be measured at the antenna output end of the coaxial cable, when disconnected from the RF transmit equipment and then correctly matched into 50 ohms. The antenna output power of the RF transmit equipment shall be measured directly at the antenna output terminal connected to an artificial antenna. Intermodulation product frequencies in the relevant TX band and relevant RX band shall be identified and measured according to the following process.

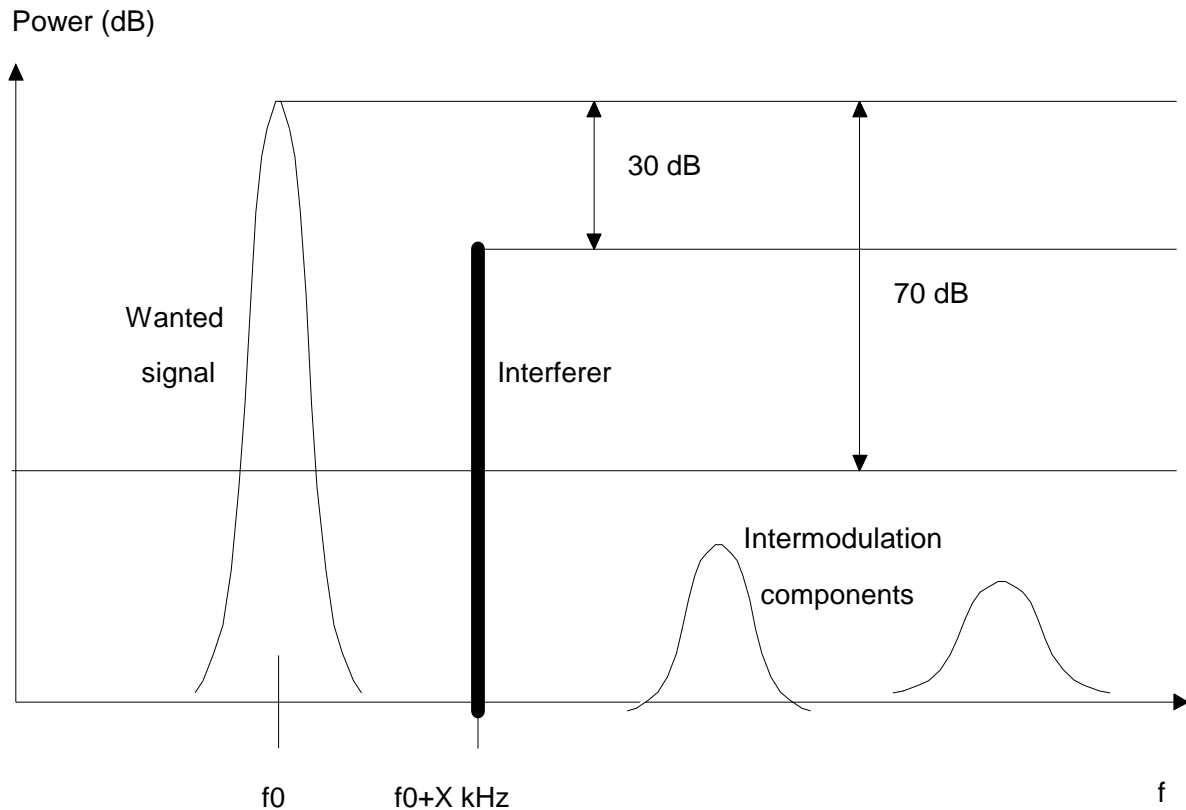


Figure 6.7-1: Example of TX intermodulation attenuation

For the measurements in the operating RX band:

Use a measurement and filter bandwidth of 100 kHz, frequency scan mode, averaged over 200 sweeps, with a sweep time of at least 75 ms. The frequency offset X shall be chosen to cause the lowest order intermodulation product to fall in the operating RX band.

For measurements in the relevant TX band:

i) For BTSs not belonging to the multicarrier BTS class

The measurement shall be made for frequency offsets X of: 0.8 MHz, 2.0 MHz, 3.2 MHz, 6.2 MHz. The power of all third and fifth order intermodulation products shall be measured. The method of measurement specified below depends on the frequency offset of the intermodulation product from the carrier frequency:

For measurements at frequency offsets from the active TRX of more than 6 MHz the peak power of any intermodulation components shall be measured with a bandwidth of 300 kHz, zero frequency span, over a time slot period. This shall be measured over sufficient time slots to ensure conformance according to methodology of annex A. The reference power for relative measurements is the power measured in a bandwidth of at least 300 kHz for the TRX under test.

For measurements at frequency offsets from the active TRX 1.8 MHz or less the intermodulation product power shall be measured selectively using video averaging over 50 to 90 % of the useful part of the time slot excluding the mid-amble. The averaging shall be over at least 200 time slots and only active bursts shall be included in the averaging process. The RF and video filter bandwidth of the measuring instrument shall be 30 kHz.

For measurements at frequency offsets in the range 1.8 to 6 MHz the intermodulation product power shall be measured in a frequency scan mode, with a minimum sweep time of 75 ms and averaged over 200 sweeps. The RF and video filter bandwidth of the measuring instrument shall be 100 kHz.

ii) For BTSs belonging to the multicarrier BTS class

The measurements shall be made for frequency offsets X of: 0.8 MHz, 2.0 MHz, 3.2 MHz and 6.2 MHz. The power of all third and fifth order intermodulation products shall be measured in a 600 kHz band centered at their centre

frequencies. The method of measurement specified below depends on the frequency offset of the intermodulation product from the carrier frequency:

For measurements at frequency offsets from the active TRX of more than 6 MHz the average power of any intermodulation components shall be measured with a bandwidth of 300 kHz, zero frequency span, over a time slot period. This shall be measured over sufficient time slots to ensure conformance according to methodology of annex A. The reference power for relative measurements is the power measured in a bandwidth of at least 300 kHz for the TRX under test. The measurement shall be performed with center frequencies of the measurement bandwidth in the frequency band ± 150 kHz around the center frequencies of the intermodulation components.

For measurements at frequency offsets in the range from 1.8 MHz up to and including 6 MHz the average power of any intermodulation components shall be measured with a bandwidth of 100 kHz, zero frequency span, over a time slot period. This shall be measured over sufficient time slots to ensure conformance according to methodology of annex A. The reference power for relative measurements is the power measured in a bandwidth of at least 100 kHz for the TRX under test. The measurement shall be performed with center frequencies of the measurement bandwidth in the frequency band ± 250 kHz around the center frequencies of the intermodulation components.

For measurements at frequency offsets in the range from 1.2 MHz up to 1.8 MHz the average power of any intermodulation components shall be measured with a bandwidth of 30 kHz, zero frequency span, over a time slot period. This shall be measured over sufficient time slots to ensure conformance according to methodology of annex A. The reference power for relative measurements is the power measured in a bandwidth of at least 30 kHz for the TRX under test.

NOTE 2: When the above measurements are performed precautions should be taken, so that non-linearity in the selective measuring device does not influence the results appreciably. Furthermore it should be ensured that intermodulation components which may be generated by non-linear elements in the test equipment (e.g. signal generator, coupling device, selective measuring device) are sufficiently reduced. The RF transmit equipment under test and the test signal source should be physically separated in such a way that the measurement is not influenced by direct radiation. A possible measurement set-up is shown in annex B.2.

6.7.3 Essential Conformance

Test Environment

Normal.

The following tests shall be performed, depending on the number of TRXs supported by the BSS:

- 1 TRX: The TRX shall be tested at B, M, and T.
- 2 TRX: One test shall be performed on B, M, and T. Each TRX shall be tested at least once.
- 3 or more TRX: One TRX shall be tested at B, one at M and one at T.

A multicarrier BTS shall be tested on B, M and T for each transmitting antenna connector.

Conformance requirement

For the measurements in the operating RX band:

i) For BTSs not belonging to the multicarrier BTS class

No essential requirement applies.

ii) For BTSs belonging to the multicarrier BTS class

In the operating receive band the measured intermodulation components shall never exceed -98 dBm under normal test conditions.

For the measurements in the relevant TX band:

i) For BTSs not belonging to the multicarrier BTS class

At frequencies offset from the wanted signal carrier frequency by more than 6 MHz and up to the edge of the relevant transmit band, the intermodulation components measured shall not exceed -70 dBc or -36 dBm, whichever is the higher. 1 in 100 time slot periods may fail the requirement by up to 10 dB.

At frequencies offset from the wanted signal carrier frequency of less than 6 MHz, the requirements are that specified in 6.5.1.3, Continuous Modulation Spectrum. The exceptions given in subclause 6.5.1.3 also apply.

ii) For BTSs belonging to the multicarrier BTS class:

In the relevant transmit band, at offsets from the wanted signal carrier frequency by more than 6 MHz and up to 10 MHz outside the edge of the relevant transmit band, the measured intermodulation products shall not exceed -36 dBm if maximum output power per carrier exceeds 33 dBm else -41 dBm, or -70 dBc, whichever less stringent. In addition, the measured third order intermodulation products may increase up to -60 dBc or -36 dBm, whichever is less stringent.

In the relevant transmit band, at offsets of less than or equal to 6 MHz, the requirements are that specified in 6.5.1.3, except at intermodulation frequencies where the measured intermodulation products shall not exceed -36 dBm if maximum output power per carrier exceeds 33 dBm else -41 dBm, or -70 dBc, whichever less stringent. In addition, the measured third order intermodulation products may increase up to -60 dBc or -36 dBm, whichever is less stringent.

In case of multicarrier BTS operating with one carrier, the level and number of allowable exceptions up to 10MHz outside the relevant transmit band as defined in section 6.12.3 using $N=1$ apply.

The intermodulation products shall never exceed -16 dBm, measured in 100 kHz bandwidth.

6.7.4 Complete conformance

Test Environment

Normal:

Conformance requirement

The test shall be performed until three TRXs, or the maximum number supported by the BSS (whichever is the less) have each been tested at B, M, and T. For BTS belonging to the multicarrier BTS class, the test shall be performed on B, M and T for each transmitting antenna connector.

For the measurements in the operating RX band:

In the operating receive band the measured intermodulation components shall never exceed the values given in table 6.7-1 under normal test conditions.

Table 6.7-1: Maximum Receive Band transmitter intermodulation limits

	GSM 400, GSM 900 (dBm)	DCS 1800 (dBm)
Normal BTS	-98	-98
Micro-BTS M1	-91	-96
Micro-BTS M2	-86	-91
Micro-BTS M3	-81	-86
Pico-BTS P1	-70	-80
R-GSM 900 BTS	-89	n/a
NOTE: Micro and pico-BTS is not defined for GSM400.		

For the measurements in the relevant TX band:

i) For BTSs not belonging to the multicarrier BTS class

At frequencies offset from the wanted signal carrier frequency by more than 6 MHz and up to the edge of the relevant transmit band, the intermodulation components measured shall not exceed -70 dBc or -36 dBm, whichever is the higher. 1 in 100 time slot periods may fail the requirement by up to 10 dB.

At frequencies offset from the wanted signal carrier frequency of less than 6 MHz, the requirements are that specified in subclause 6.5.1.3, Continuous Modulation Spectrum. The exceptions given in subclause 6.5.1.3 also apply.

ii) For BTSs belonging to the multicarrier BTS class:

In the relevant transmit band, at offsets from the wanted signal carrier frequency by more than 6 MHz and up to 10 MHz outside the edge of the relevant transmit band, the measured intermodulation products shall not exceed -36 dBm if maximum output power per carrier exceeds 33 dBm else -41 dBm, or -70 dBc, whichever is less stringent. In addition, the measured third order intermodulation products may increase up to -60 dBc or -36 dBm, whichever is less stringent.

In the relevant transmit band, at offsets of less than or equal to 6 MHz, the requirements are that specified in 6.5.1.3, except that the measured intermodulation products shall not exceed -36 dBm if maximum output power per carrier exceeds 33 dBm else -41 dBm, or -70 dBc, whichever is less stringent. In addition, the measured third order intermodulation products may increase up to -60 dBc or -36 dBm, whichever is less stringent.

In case of multicarrier BTS operating with one carrier, the level and number of allowable exceptions up to 10MHz outside the relevant transmit band as defined in section 6.12.3 using $N=1$ apply.

The intermodulation products shall never exceed -16 dBm, measured in 100 kHz bandwidth.

6.7.5 Requirement reference

3GPP TS 45.005 subclause 4.7.1.

6.8 Intra Base Station System intermodulation attenuation

6.8.1 Test purpose

To verify that the level of intermodulation products produced inside the RX and TX bands (due to the leakage of RF power between transmitters that are operating in close vicinity of each other inside the BSS, or are combined to feed a single antenna) do not exceed the specified limit. The test is not applicable for GSM 700, GSM 850, MXM 850, PCS 1900 and MXM 1900.

6.8.2 Test case

If SFH is supported by the BSS, it shall be disabled during this measurement.

The BSS shall be configured with a full complement of transceivers. Each RF transmit equipment shall be operated at the maximum power specified (Highest Static Power Control Level subclause 6.3) and with modulation of a pseudo random sequence applied.

For multicarrier BTS the tests shall be performed per antenna connector for the lowest supported number of carriers (≥ 2) and the declared maximum number of carriers transmitting on equal maximum power according to the power declaration for each configuration.

In the relevant transmit band, the intermodulation components shall be measured at frequency offsets above the uppermost and below the lowermost carrier frequencies.

All intermodulation product frequencies in the relevant TX band and operating RX band shall be identified and measured according to the process below.

For the measurement in the operating RX band

The equipment shall be operated with ARFCNs such that the lowest order intermodulation product falls into the operating receive band. The measurement shall be carried out at the antenna connector of the BSS, using a frequency selective instrument.

A possible measurement set-up for this test is shown in annex B.2.

For measurements in the RX band the following is the test set up:

A filter and video bandwidth of 100 kHz.

Frequency scan mode.

Minimum sweep time of 75 ms and averaged over 200 sweeps.

For measurements in the relevant TX band

i) For BTSs not belonging to a multicarrier BTS class

The equipment shall be operated at equal and minimum carrier frequency spacing specified for the BSS configuration under test.

For frequency offsets of more than 6 MHz the peak power of any intermodulation components shall be measured with a bandwidth of 300 kHz, zero frequency span, over a time slot period. This shall be measured over sufficient time slots to ensure conformance according to methodology of annex A.1. The reference power for relative measurements is the power measured in a bandwidth of at least 300 kHz for the TRX under test.

For frequency offsets 1.8 MHz or less the intermodulation product power shall be measured selectively using video averaging over 50 to 90 % of the useful part of the time slot excluding the mid-amble. The averaging shall be over at least 200 time slots and only active bursts shall be included in the averaging process. The RF and video filter bandwidth of the measuring instrument shall be 30 kHz.

For frequency offsets in the range 1.8 to 6 MHz the intermodulation product power shall be measured in a frequency scan mode, with a minimum sweep time of 75 ms and averaged over 200 sweeps. The RF and video filter bandwidth of the measuring instrument shall be 100 kHz.

ii) For BTS belonging to a multicarrier BTS class

The tests are performed according to subclause 6.12.

6.8.3 Essential conformance

Test Environment

Normal.

Conformance requirement

For measurements in the operating RX band

i) For BTSs not belonging to a multicarrier BTS class

No essential requirement applies.

ii) For BTS belonging to a multicarrier BTS class

In the operating receive band the measured intermodulation components shall never exceed -98dBm under normal test conditions.

For measurements in the relevant TX band

i) For BTSs not belonging to a multicarrier BTS class

In the relevant transmit band, at offsets greater than 0.6 MHz and up to 6 MHz, the requirements are that specified in subclause 6.5.1, Continuous Modulation Spectrum. The exceptions given there shall also apply.

At frequencies offset from the wanted signal carrier frequency by more than 6 MHz and up to the edge of the relevant transmit band, the intermodulation components measured shall not exceed -70 dBc or -36 dBm, whichever is the higher. 1 in 100 time slot periods may fail the requirement by up to 10 dB.

ii) For BTS belonging to a multicarrier BTS class

In the relevant transmit band, the requirements in subclause 6.12 apply.

6.8.4 Complete conformance

Test Environment

Normal.

Conformance requirement

For measurements in the operating RX band

In the operating receive band the measured intermodulation components shall never exceed the values given in table 6.8-1 under normal test conditions.

Table 6.8-1: Maximum intra-BSS Receive Band transmitter intermodulation limits

	GSM 400, GSM 700, GSM 850 and GSM 900 (dBm)	DCS 1800 and PCS 1900 (dBm)
Normal BTS	-98	-98
Micro-BTS M1	-91	-96
Micro-BTS M2	-86	-91
Micro-BTS M3	-81	-86
Pico-BTS P1	-70	-80
R-GSM 900 BTS	-89	n/a
NOTE: Micro and pico-BTS is not defined for GSM400.		

For measurements in the relevant TX band

i) For BTSs not belonging to a multicarrierBTS class

In the relevant transmit band, at offsets greater than 0.6 MHz and up to 6 MHz, the requirements are that specified in subclause 6.5.1, Continuous Modulation Spectrum. The exceptions given there shall also apply.

At frequencies offset from the wanted signal carrier frequency by more than 6 MHz and up to the edge of the relevant transmit band, the intermodulation components measured shall not exceed -70 dBc or -36 dBm, whichever is the higher. 1 in 100 time slot periods may fail the requirement by up to 10 dB.

ii) For BTS belonging to a multicarrier BTS class

In the relevant transmit band, the requirements in subclause 6.12 apply.

6.8.5 Requirement reference

3GPP TS 45.005 subclause 4.7.2.

6.9 Intra Base Station System intermodulation attenuation, MXM 850 and MXM 1900

6.9.1 Test purpose

To verify that the level of intermodulation products (due to the leakage of RF power between transmitters that are operating in close vicinity of each other inside the BSS, or are combined to feed a single antenna) do not exceed the specified limit.

6.9.2 Test cases

6.9.2.1 200 kHz carriers-only

If SFH is supported by the BSS, it shall be disabled during this measurement.

The BSS shall be configured with a full complement of transceivers. Each RF transmit equipment shall be operated at the maximum power specified (Highest Static Power Control Level, subclause 6.3) and with modulation of a pseudo random sequence applied.

The equipment shall be operated at equal and minimum carrier frequency spacing specified for the BSS configuration under test.

For frequency offsets above the uppermost and below the lowermost carrier frequencies of more than 1.2 MHz and within the relevant TX band the average power of any intermodulation components shall be measured with a bandwidth of 200 kHz, zero frequency span, over a time slot period. The reference power for relative measurements is the average power measured in a bandwidth of 300 kHz for the TRX under test.

6.9.2.2 200 kHz and ANSI-136 30 kHz carriers

A BSS comprised of both ANSI-136 30 kHz carriers (see TIA-EIA-136-C) and 200 kHz carriers, shall be configured with a full complement of transceivers. Each RF transmit equipment shall be operated at the maximum power specified (Static Level 0 subclause 6.3 or, in the case of 30 kHz channels, as specified in TIA-EIA-136-C part 280) and with modulation of a pseudo random sequence applied.

The equipment shall be operated at equal and minimum carrier frequency spacing specified for each carrier type operating in the BSS configuration under test.

For frequency offsets above the uppermost and below the lowermost carrier frequencies, of more than 1.2 MHz and within the relevant TX band, the average power of any intermodulation components shall be measured as follows.

Two measurement types shall be made:

- (a) For each 30 kHz carrier, measure the reference average power, in a 30 kHz bandwidth and in accordance with TIA/EIA-136 part 280, section 3.4.4. Then, for all intermodulation products, measure, in a 30 kHz bandwidth and in average power mode, the power relative to the carrier reference power.
- (b) For each 200 kHz carrier, measure the reference average power, in a 300 kHz bandwidth and averaged over a time slot period in zero frequency span. Then, for all intermodulation products, measure, in a 200 kHz bandwidth and in average power mode, the power relative to the carrier reference power.

6.9.3 Essential conformance

This test need not be performed.

6.9.4 Complete conformance

Test Environment

Normal:

Conformance requirement

The average value of the measured intermodulation products shall not exceed:

- (a) -60 dBc, relative to the 30 kHz carrier average power and
- (b) -60 dBc, relative to the 200 kHz carrier average power.

6.9.5 Requirement reference

3GPP TS 45.005 subclause 4.7.2.

6.10 Intra Base Station System intermodulation attenuation, PCS 1900, GSM 850 and GSM 700

6.10.1 Test purpose

To verify that the level of intermodulation products produced inside the RX and TX bands (due to the leakage of RF power between transmitters that are operating in close vicinity of each other inside the BSS, or are combined to feed a single antenna) do not exceed the specified limit.

6.10.2 Test case

If SFH is supported by the BSS, it shall be disabled during this measurement.

The BSS shall be configured with a full compliment of transceivers. Each RF transmit equipment shall be operated at the maximum power specified (Highest Static Power Control Level subclause 6.3) and with modulation of a pseudo random sequence applied.

For multicarrier BTS the tests shall be performed per antenna connector for the lowest supported number of carriers (≥ 2) and the declared maximum number of carriers transmitting on equal maximum power according to the power declaration for each configuration.

In the relevant transmit band, the intermodulation components shall be measured at frequency offsets above the uppermost and below the lowermost carrier frequencies.

All intermodulation product frequencies in the relevant TX band and operating RX band shall be identified and measured according to the process below.

For measurements in the relevant TX band excluding multicarrier BTS

The equipment shall be operated at equal and minimum carrier frequency spacing specified for the BSS configuration under test.

For frequency offsets 0.6 to 1.8 MHz the intermodulation product power shall be measured selectively using video averaging over 50 to 90 % of the useful part of the time slot excluding the mid-amble. The averaging shall be over at least 200 time slots and only active bursts shall be included in the averaging process. The RF and video filter bandwidth of the measuring instrument shall be 30 kHz.

For frequency offsets above the uppermost and below the lowermost carrier frequencies of more than 1.8 MHz the average power of any intermodulation components shall be measured with a bandwidth of 300 kHz, zero frequency span, over a time slot period. . The reference power for relative measurements is the power measured in a bandwidth of at least 300 kHz for the TRX under test In the operating RX band the power of any intermodulation components shall be measured with a filter and video bandwidth of 100 kHz, frequency scan mode, minimum sweep time of 75 ms and averaged over 200 sweeps.

For measurements in the relevant TX band for multicarrier BTS

The tests are performed according to subclause 6.12.

For the measurement in the operating RX band

The equipment shall be operated with ARFCNs such that the lowest order intermodulation product falls into the operating receive band. The measurement shall be carried out at the antenna connector of the BSS, using a frequency selective instrument.

A possible measurement set-up for this test is shown in annex B.2.

For measurements in the RX band the following is the test set up:

A filter and video bandwidth of 100 kHz.

Frequency scan mode.

Minimum sweep time of 75 ms and averaged over 200 sweeps.

6.10.3 Essential conformance

This test need not be performed.

6.10.4 Complete conformance

Test Environment

Normal:

Conformance requirement

i) For BTSs not belonging to multicarrier BTS class

In the operating receive band the measured intermodulation components shall never exceed the values given in table 6.8-1 under normal test conditions.

In the relevant transmit band, at offsets greater than 0.6 MHz and up to 1.8 MHz, the requirements are that specified in subclause 6.5.1, Continuous Modulation Spectrum except that for offset 1.2 MHz to 1.8 MHz the measured power shall not exceed the requirements specified in subclause 6.5.1 or -70 dBc whichever higher. The exceptions given there shall also apply.

In the relevant transmit band for offsets greater than 1.8 MHz the measured power shall not exceed -70 dBc relative to the per carrier power or -46 dBm whichever is the higher.

ii) For BTS belonging to multicarrier BTS class

In the relevant transmit band, the requirements in subclause 6.12 apply.

6.10.5 Requirement reference

3GPP TS 45.005 subclause 4.7.2.

6.11 Intermodulation attenuation (GSM 700, GSM 850, MXM 850, PCS 1900 and MXM 1900)

6.11.1 Test purpose

To verify that the RF transmit equipment is able to restrict the generation of signals in its non-linear elements caused by the presence of the RF output from the transmitter and an interfering signal reaching the transmitter via its antenna to below specified levels.

6.11.2 Test case

If SFH is supported by the BSS, it shall be disabled during this measurement.

The Manufacturer shall declare how many TRXs the BSS supports. The BSS shall be configured with the maximum number of TRXs supported. The test shall be performed for the number of TRXs and the frequencies defined in the conformance requirement.

Only the TRX under test shall be active. All remaining TRXs shall be idle on an ARFCN within the transmit *operating* band for the BSS.

NOTE 1: It is particularly important, for a BSS which uses a tuned transmitter combiner, that all sections of the combiner are set to frequencies within the transmit *operating* band of the BSS during this test.

The antenna output of the RF transmit equipment under test, including the combiner, shall be connected to a coupling device, presenting to the RF equipment a load with an impedance of 50 ohms. The frequency of the test signal shall be within the transmit operating band (see subclause 4.2). The test signal shall be unmodulated and the frequency shall be X MHz offset from the frequency of the RF transmit equipment under test. The TRX under test shall be set to highest

static power control level and the test signal power level shall be adjusted 30 dB below this value. The test signals are illustrated in figure 6.7-1. The power level of the test signal shall be measured at the antenna output end of the coaxial cable, when disconnected from the RF transmit equipment and then correctly matched into 50 ohms. The antenna output power of the RF transmit equipment shall be measured directly at the antenna output terminal connected to an artificial antenna. Intermodulation product frequencies in the relevant TX band and relevant RX band shall be identified and measured according to the following process.

For the measurements in the relevant RX band:

Use a measurement and filter bandwidth of 100 kHz, frequency scan mode, averaged over 200 sweeps, with a sweep time of at least 75 ms. The frequency offset X shall be chosen to cause the lowest order intermodulation product to fall in the operating RX band.

For measurements in the relevant TX band:

i) For BTSs not belonging to the multicarrier BTS class

The measurement shall be made for frequency offsets X of: 0.8 MHz, 2.0 MHz, 3.2 MHz, 6.2 MHz. The power of all third and fifth order intermodulation products shall be measured. The method of measurement specified below depends on the frequency offset of the intermodulation product from the carrier frequency:

For measurements at frequency offsets from the active TRX 1.8 MHz or less the intermodulation product power shall be measured selectively using video averaging over 50 to 90 % of the useful part of the time slot excluding the mid-amble. The averaging shall be over at least 200 time slots and only active bursts shall be included in the averaging process. The RF and video filter bandwidth of the measuring instrument shall be 30 kHz.

For measurements at frequency offsets from the active TRX more than 1.8 MHz the average power of any intermodulation components shall be measured with a bandwidth of 300 kHz, zero frequency span, over a time slot period. The reference power for relative measurements is the power measured in a bandwidth of at least 300 kHz for the TRX under test. In the operating RX band the power of any intermodulation components shall be measured with a filter and video bandwidth of 100 kHz, frequency scan mode, minimum sweep time of 75 ms and averaged over 200 sweeps.

ii) For BTSs belonging to the multicarrier BTS class

The measurements shall be made for frequency offsets X of: 0.8 MHz, 2.0 MHz, 3.2 MHz and 6.2 MHz. The power of all third and fifth order intermodulation products shall be measured in a 600 kHz band centered at their centre frequencies and at the centre frequencies of their corresponding adjacent channels (± 200 kHz). The method of measurement specified below depends on the frequency offset of the intermodulation product from the carrier frequency:

For measurements at frequency offsets from the active TRX of more than 6 MHz the average power of any intermodulation components shall be measured with a bandwidth of 300 kHz, zero frequency span, over a time slot period. This shall be measured over sufficient time slots to ensure conformance according to methodology of annex A. The reference power for relative measurements is the power measured in a bandwidth of at least 300 kHz for the TRX under test. The measurement shall be performed with center frequencies of the measurement bandwidth in the frequency band ± 150 kHz around the center frequencies of the intermodulation components.

For measurements at frequency offsets in the range from 1.8 MHz up to and including 6 MHz the average power of any intermodulation components shall be measured with a bandwidth of 100 kHz, zero frequency span, over a time slot period. This shall be measured over sufficient time slots to ensure conformance according to methodology of annex A. The reference power for relative measurements is the power measured in a bandwidth of at least 100 kHz for the TRX under test. The measurement shall be performed with center frequencies of the measurement bandwidth in the frequency band ± 250 kHz around the center frequencies of the intermodulation components.

For measurements at frequency offsets in the range from 1.2 MHz up to 1.8 MHz the average power of any intermodulation components shall be measured with a bandwidth of 30 kHz, zero frequency span, over a time slot period. This shall be measured over sufficient time slots to ensure conformance according to methodology of annex A. The reference power for relative measurements is the power measured in a bandwidth of at least 30 kHz for the TRX under test.

6.11.3 Essential Conformance

Test Environment

Normal:

The following tests shall be performed, depending on the number of TRXs supported by the BSS:

- 1 TRX: The TRX shall be tested at B, M, and T.
- 2 TRX: One test shall be performed on B, M, and T. Each TRX shall be tested at least once.
- 3 or more TRX: One TRX shall be tested at B, one at M and one at T.

A multicarrier BTS shall be tested on B, M and T for each transmitting antenna connector.

Conformance requirement

i) For BTSs not belonging to the multicarrier BTS class

In the relevant transmit band for offsets greater than 1.8 MHz the measured power shall not exceed -70 dBc relative to the per carrier power or -46 dBm whichever is the higher.

In the relevant transmit band, at offsets greater than 0.6 MHz and up to 1.8 MHz, the requirements are that specified in subclause 6.5.1.3, Continuous Modulation Spectrum except that for offset 1.2 MHz to 1.8 MHz the measured power shall not exceed the requirements specified in subclause 6.5.1 or -70 dBc whichever higher. The exceptions in subclause 6.5.1.3 shall also apply.

ii) For BTSs belonging to the multicarrier BTS class

In the relevant transmit band, at offsets from the wanted signal carrier frequency by more than 6 MHz and up to the edge of the relevant transmit band, the measured intermodulation products in a band of 600 kHz centered at their centre frequencies shall not exceed -36 dBm if maximum output power per carrier exceeds 33 dBm else -41 dBm, or -70 dBc, whichever less stringent. In addition, the measured third order intermodulation products may increase up to -60 dBc or -36 dBm, whichever is less stringent.

In the relevant transmit band, at offsets of less than or equal to 6 MHz, the requirements are that specified in 6.5.1.3, except that the measured intermodulation products shall not exceed -36 dBm if maximum output power per carrier exceeds 33 dBm else -41 dBm, or -70 dBc, whichever less stringent. In addition, the measured third order intermodulation products may increase up to -60 dBc or -36 dBm, whichever is less stringent.

In case of multicarrier BTS operating with one carrier, the level and number of allowable exceptions up to 10 MHz outside the relevant transmit band as defined in section 6.12.3 using $N=1$ apply.

6.11.4 Complete conformance

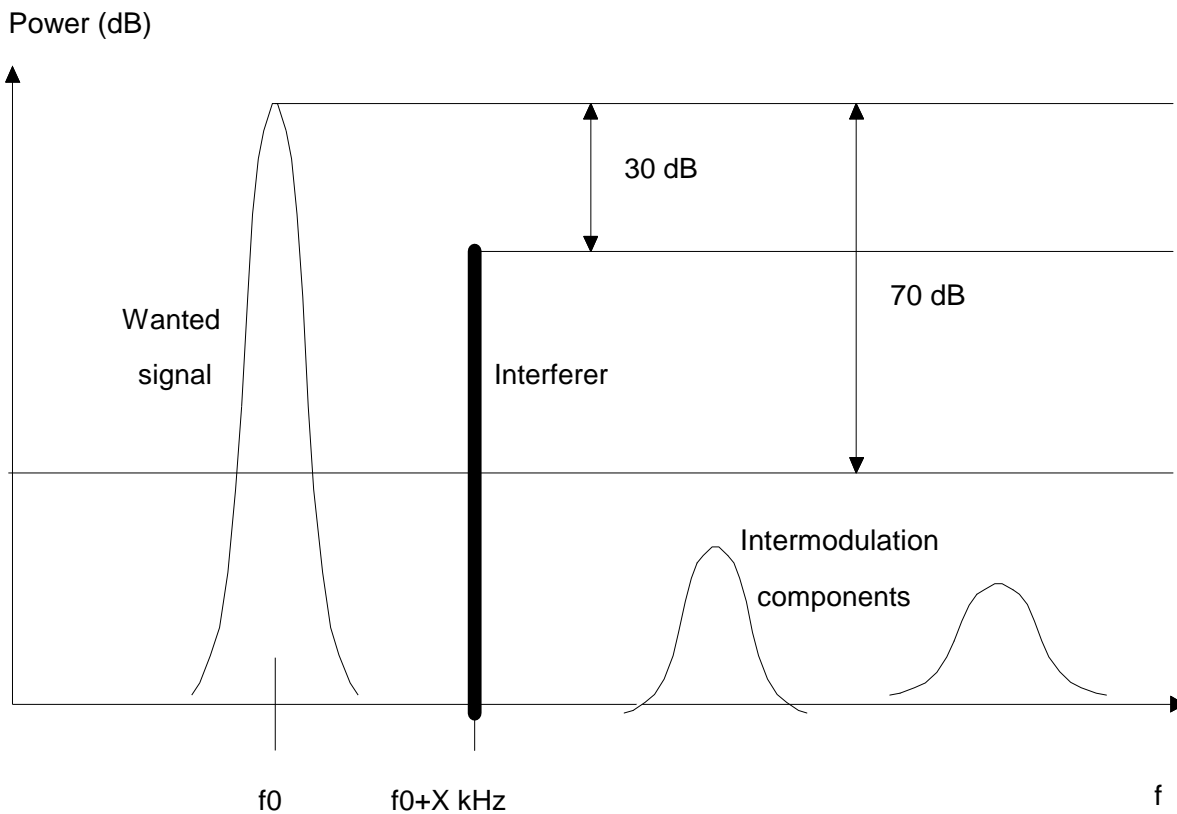


Figure 6.11-1: Example of TX intermodulation attenuation

Test Environment

Normal:

Conformance requirement

The test shall be performed until three TRXs, or the maximum number supported by the BSS (whichever is the less) have each been tested at B, M, and T.

In the operating receive band the measured intermodulation components shall never exceed the values given in table 6.11-1 under normal test conditions.

Table 6.11-1: Maximum Receive Band transmitter intermodulation limits

	GSM 850, MXM 850 and GSM 700 (dBm)	PCS 1900 and MXM 1900 (dBm)
Normal BTS	-98	-98
Micro-BTS M1	-91	-96
Micro-BTS M2	-86	-91
Micro-BTS M3	-81	-86
Pico-BTS P1	-70	-80

i) For BTSs not belonging to the multicarrier BTS class

In the relevant transmit band, at offsets greater than 0.6 MHz and up to 1.8 MHz, the requirements are that specified in subclause 6.5.1.3, Continuous Modulation Spectrum except that for offset 1.2 MHz to 1.8 MHz the measured power shall not exceed the requirements specified in subclause 6.5.1 or -70 dBc whichever higher. The exceptions in subclause 6.5.1.3 shall also apply.

In the relevant transmit band for offsets greater than 1.8 MHz the measured power shall not exceed -70 dBc relative to the per carrier power or -46 dBm whichever is the higher.

ii) For BTSs belonging to the multicarrier BTS class

In the relevant transmit band, at offsets from the wanted signal carrier frequency by more than 6 MHz and up to the edge of the relevant transmit band, the measured intermodulation products in a band of 600 kHz centered at their centre frequencies shall not exceed -36 dBm if maximum output power per carrier exceeds 33 dBm else -41 dBm, or -70 dBc, whichever is less stringent. In addition, the measured third order intermodulation products may increase up to -60 dBc or -36 dBm, whichever is less stringent.

In the relevant transmit band, at offsets of less than or equal to 6 MHz, the requirements are that specified in 6.5.1.3, except that the measured intermodulation products shall not exceed -36 dBm if maximum output power per carrier exceeds 33 dBm else -41 dBm, or -70 dBc, whichever is less stringent. In addition, the measured third order intermodulation products may increase up to -60 dBc or -36 dBm, whichever is less stringent.

In case of multicarrier BTS operating with one carrier, the level and number of allowable exceptions up to 10 MHz outside the relevant transmit band as defined in section 6.12.3 using $N=1$ apply.

The intermodulation products shall never exceed -16 dBm, measured in 100 kHz bandwidth.

6.11.5 Requirement reference

3GPP TS 45.005 subclause 4.7.1.

6.12 Wideband noise and intra BSS intermodulation attenuation in multicarrier operation

6.12.1 Test purpose

To verify that the level of wideband noise and intermodulation products produced inside the relevant TX bands for a BTS belonging to the multicarrier BTS class do not exceed the specified limit when multiple carriers are active. The test is not applicable for MXM 850 and MXM 1900.

6.12.2 Test case

If SFH is supported by the BSS, it shall be disabled during this measurement.

- a) The tests shall be performed per antenna connector for the declared maximum number of carriers transmitting on equal maximum power according to the power declaration. In addition the test shall be performed for the test case with unequal power distribution according to subclause 4.10.10 for the declared maximum number of carriers.

The equipment shall be operated at minimum carrier frequency spacing specified for the BSS configuration under test. The test is performed for carriers located around M.

- b) The multicarrier BTS shall be configured to operate with the lowest supported numbers of carriers (≥ 2) and the declared maximum number of carriers transmitting on equal maximum power according to the power declaration for each configuration and distributed as described below over the corresponding declared maximum Base Station RF bandwidth, configured to include B. The test is repeated in a configuration where maximum Base Station RF bandwidth includes T.

In addition, if no third order intermodulation product at any of these configurations can occur outside the group of carriers and within the relevant TX band or the maximum Transmit Filter bandwidth, whichever is smallest, the carrier frequency spacings shall be equally reduced until one of the third order intermodulation product closest to the group of carriers occurs on one of the band edges of the applicable bandwidth, and the test is repeated. When reducing the spacings, both carrier frequency configurations shall be tested for the two cases: one where the lowest frequency is kept at B and as close as possible to the lower band edge and one where the highest frequency is kept at T and as close as possible to the upper band edge of the relevant transmit band.

- c) If the multicarrier BTS equipment according to the vendor declaration supports non-contiguous frequency allocation as defined in subclause 4.10.10 and four or more carriers, tests shall be performed per antenna connector with maximum number of carriers as equally as possible distributed between two sub-blocks, each with a sub-block edge at the edge of the maximum Base Station RF bandwidth. The sub-blocks are located

around M, with a sub-block gap of at least 5 MHz and sub-block bandwidth according to table 6.12-1. The carriers shall be operating at equal declared maximum power for this configuration.

Table 6.12-1: Sub-block bandwidth for non-contiguous frequency allocation

Maximum number of carriers	Sub-block bandwidth [MHz]	Maximum possible equal frequency spacing (Deq) [MHz]
4	4	3.6
5-6	4	1.8
7-8	4	1.2
9-10	4.4	1
11-12	4.4	0.8
13-14	5.2	0.8
15-16	6	0.8
For every further increase of 2 more maximum number of carriers, the sub-block bandwidth is increased by 0.8 MHz while Deq remains 0.8 MHz.		

To distribute the carriers in test case b) and within a sub-block in test case c), the difference between adjacent carrier spacings, between the carrier center frequencies, shall be maximum ± 200 kHz and the third order IM products, generated by any combination of two or three frequencies, shall coincide within 400 kHz, measured at the center frequencies of the IM products. Any combination fulfilling these criteria can be used, but the same carrier frequency configuration shall be used when B or T respectively is included in the measurement.

The following procedure applies in test case b):

- 1 Calculate the maximum possible equal frequency spacing (Deq) within the declared maximum Base Station RF bandwidth (RF-BW_{max}). Note that the center frequencies of the outermost carriers shall be 200 kHz inside the band edges of RF-BW_{max} and that Deq is a multiple of 200 kHz.
- 2 Allocate one carrier at lowest and one at highest frequency possible within the RF-BW_{max}.
- 3 Allocate the remaining carriers at frequencies shifted from one of the outermost carriers by a multiple of Deq with altering offsets. These offsets may be chosen freely to be either 0, + 200 kHz or - 200 kHz but the difference between two adjacent spacings shall be no more than 200 kHz. It is not allowed to set all offsets to 0. In addition the IM spread limits (IM3 to coincide within 400 kHz) shall be fulfilled.

The following procedure applies in test case c):

- 1 Note the maximum possible equal frequency spacing (Deq) from table 6.12-1.
- 2 In each sub-block, allocate one carrier at lowest and one at highest frequency possible within the sub-block bandwidth.
- 3 Allocate the remaining carriers of each sub-block at frequencies shifted from the outermost carriers of each sub-block by a multiple of Deq with altering offsets. If the number of carriers in the two sub-blocks is unequal, one multiple of Deq will need to be unoccupied in the sub-block with fewer carriers. The offsets may be chosen freely to be either 0, + 200 kHz or - 200 kHz but the difference between two adjacent spacings shall be no more than 200 kHz.

As an exception if above conditions cannot be fulfilled, the procedure may be modified:

- i) Above procedure may be used with a smaller sub-block bandwidth if the maximum Base Station RF bandwidth is not sufficient, with the maximum possible equal frequency spacing (Deq) being the next lower multiple of 200 kHz.
- ii) If i) is not sufficient, above procedure may be used with minimum carrier spacing if the maximum Base Station RF bandwidth is not sufficient. In that case altering offsets shall not be used, as described in step 3.
- iii) If i) or ii) is not sufficient, above procedure may be used when declaring a lower maximum number of carriers for non-contiguous frequency allocation.

For frequency offsets from the centre frequency of the uppermost and lowermost active carrier of more than 6 MHz the average power shall be measured over sufficient time slots to ensure conformance according to methodology of annex A.1.

- Within a 600 kHz band centered at the centre frequencies of the intermodulation components the measurements shall be performed with the center frequencies of the measurement bandwidth in the frequency band ± 150 kHz around the centre frequencies of the intermodulation components, using a measurement bandwidth of 300 kHz. The reference power for relative measurements shall be the power measured in a bandwidth of 300 kHz for one of the carriers under test.
- For offsets outside the 600 kHz bands around the centre frequencies of the intermodulation components, the measurements shall be performed with the center frequencies of the measurement bandwidth starting at ± 350 kHz around the centre frequencies of the intermodulation components, using a measurement bandwidth of 100 kHz. The reference power for relative measurements in a bandwidth of 30 kHz for one of the carriers under test.

For frequency offsets from the centre frequency of the uppermost and lowermost active carrier of 1.8 MHz up to and including 6 MHz the average power shall be measured in a frequency scan mode, with a minimum sweep time of 75 ms and averaged over 200 sweeps.

- Within a 600 kHz band centered at the centre frequencies of the intermodulation components, the measurements shall be performed with the center frequencies of the measurement bandwidth in the frequency band ± 250 kHz around the centre frequencies of the intermodulation components, using a RF and video filter bandwidth of the measuring instrument of 100 kHz. The reference power for relative measurements shall be the power measured in a bandwidth of 100 kHz for one of the carriers under test.
- For offsets outside the 600 kHz bands around the centre frequencies of the intermodulation components, the measurements shall be performed with the center frequencies of the measurement bandwidth starting at ± 350 kHz around the centre frequencies of the intermodulation components, using a measurement bandwidth of 100 kHz. The reference power for relative measurements shall be the power measured in a bandwidth of 30 kHz for one of the carriers under test.

For frequency offsets from the centre frequency of the uppermost and lowermost active carrier of less than 1.8 MHz the average power shall be measured selectively using video averaging over 50 to 90 % of the useful part of the time slot excluding the mid-amble. The averaging shall be over at least 200 time slots and only active bursts shall be included in the averaging process. The RF and video filter bandwidth of the measuring instrument shall be 30 kHz. The reference power for relative measurements shall be the power measured in a bandwidth of 30 kHz for one of the carriers under test.

The measurement conditions for the Continuous Modulation Spectrum regarding frequency offsets and detector settings shall be the same as defined in subclause 6.5.1 for multicarrier BTS.

6.12.3 Essential conformance

Test Environment

Normal:

Conformance requirement

For multicarrier BTS when more than one carrier is active, in the relevant transmit band, the unwanted emission power shall be measured at offsets between 0.4 MHz from the uppermost and lowermost wanted signal carrier frequency and 10 MHz outside the edge of the relevant transmit band.

At frequency offsets higher than or equal to 1.8 MHz from the centre frequency of the uppermost and lowermost active carrier up to 10 MHz outside the edge of the relevant transmit band, the unwanted emission for the multicarrier BTS shall not exceed the less stringent of the following requirements:

- in a frequency band of 600 kHz centered at the centre frequencies of the intermodulation components, the average power measured over a timeslot shall not exceed -70 dBc or -36 dBm if maximum output power per carrier exceeds 33 dBm else -41 dBm, whichever is less stringent, .
- in addition, in a frequency band of 600 kHz centered at the third order intermodulation centre frequencies, the average power of the measured intermodulation components over a timeslot may increase up to -60 dBc.

- the requirements specified in subclause 6.5.1, Continuous Modulation Spectrum, increased by $10 \cdot \text{LOG}(N)$ dB where N is the number of active carriers.

In order to prove the compliance with the intermodulation requirements, the power of all third and fifth order intermodulation products shall be measured.

In the test case with unequal power distribution, the reference for the relative requirements is the power of the carrier with the highest power is applied.

At frequency offsets of less than 1.8 MHz from the outermost carriers, the unwanted emissions must fulfil a mask that is defined in the following steps:

1. The dBc values of table 6.5-1 in subclause 6.5.1 (A_j with $j=1$ to N) are extracted for each carrier, taking into account the output power level of one carrier and the corresponding frequency offset between the measurement frequency point and the respective carrier. For carriers at offsets above 1.8 MHz from the measurement frequency point, the dBc value for the respective carrier must be reduced by 5 dB to account for the bandwidth conversion from 100 kHz to 30 kHz.
2. The dBc value (A_j with $j=N+1$) of the IM attenuation defined in sub-clause 6.12 for the multicarrier BTS class has to be derived. In some configurations there might be no IM product falling onto the respective frequency. Then this contribution is ignored in the following.
3. The obtained $N+1$ dBc values are cumulated in the (following way) linear domain:

$$A_{\text{Cumulated, dBc}} = 10 \log_{10} \sum_{j=1}^{N+1} 10^{A_j / 10} .$$

4. This procedure has to be done for the following frequency offsets above the uppermost and below the lowermost carriers: 400 kHz, 600 kHz and 1200 kHz.
5. For each of these measurement frequency points, the measured spectrum must not exceed the respective unwanted emission mask defined by $A_{\text{cumulated, dBc}}$.

For test case c) the requirements above the uppermost carrier and below the lowermost carrier are the same as specified above with N being the total number of active carriers. In addition the test includes the measurement of the frequency range between the innermost carriers of the two sub-blocks, where the following requirements apply:

- For frequency offsets of less than 1.8 MHz above the centre frequency of the uppermost carrier A of the lower sub-block or below the centre frequency of the lowermost carrier B of the upper sub-block, the unwanted emission must not exceed a mask defined by the cumulation of the spectrum due to modulation and wideband noise from each of the N carriers and the IM products, as specified above in this subclause for frequency offsets of less than 1.8 MHz for the test of contiguous carrier allocations.
- For frequency offsets of equal or larger than 1.8 MHz above the centre frequency of the uppermost carrier A of the lower sub-block and for frequency offsets of equal or larger than 1.8 MHz below the centre frequency of the lowermost carrier B of the upper sub-block: the value of the spectrum due to modulation and wideband noise given for the measurement of carrier A or carrier B, whichever closest, may not increase by more than $10 \cdot \text{LOG}(N)$ dB, or fulfil the requirement given above for the multicarrier BTS class for frequencies where IM products are expected, whichever is the less stringent.

NOTE: The cumulated IM products are represented by respective Intra BSS intermodulation attenuation requirement, regardless if IM products originate from either or both sub-blocks.

The absolute lower limit in item 6) in subclause 6.5.1.3 shall apply for all numbers N of active carriers.

At offsets between 600 kHz above the uppermost and below the lowermost carrier, respectively, and 10 MHz outside the relevant transmit band, in bands of 200 kHz width centered on a frequency, which is an integer multiple of 200 kHz, in test case a) and b) exceptions are allowed for N active carriers at $M = 18 + 3 \cdot (N-1)$ or up to 40 bands, whichever the lowest. All exceptions are measured in 100 kHz bandwidth, averaged over the 200 kHz band and may be up to -36 dBm. In addition, all exceptions within the relevant transmit band and up to four exceptions at offsets up to 2 MHz from the respective band edges, may be up to -70 dBc relative to the carrier measured in a bandwidth of 100 kHz, or -36 dBm, whichever less stringent. For test case c) the same total number of exceptions M for N active carriers shall apply

as given above for test case a) , including the range of frequency offsets between 0.6 MHz above the uppermost carrier of the lower sub-block and 0.6 MHz below the lowermost carrier of the upper sub-block. Such bands, which centre frequency coincides with the centre frequency of third order IM products of any combination of two or three active carriers and corresponding adjacent channels (± 200 kHz), shall not be included in counting the exceptions.

6.12.4 Complete conformance

The requirement of essential conformance shall apply.

6.12.5 Requirement reference

3GPP TS 45.005 subclauses 4.2.1 and 4.7.2.

7 Receivers

All tests unless otherwise stated in this subclause shall be conducted on Base Station Systems fitted with a full complement of Transceivers for the configuration. The manufacturer shall provide appropriate logical or physical test access to perform all tests in this subclause. Measurements shall include any RX multicoupler.

The tests in this subclause assume that the receiver is not equipped with diversity. For receivers with diversity, the tests may be performed by applying the specified signals to one of the receiver inputs, and terminating or disabling the other(s). The tests and requirements are otherwise unchanged.

For receivers with diversity, testing of essential conformance shall be performed by applying the specified signals to one of the receiver inputs, and terminating or disabling the other(s). This does not apply to cases which are specified for two antenna configuration only, i.e. EGPRS2-B with higher symbol rate and channels in VAMOS mode. In this case all receiver tests are performed in two antenna configuration except in Static propagation conditions. At two-antenna configuration the requirements are specified for no correlation or gain imbalance between the two receive branches.

The Rx performance requirements for modulation schemes using higher symbol rate are based on input signals using the wide pulse shaping filter unless otherwise stated. For definition of narrow and wide pulse-shaping filters, see 3GPP TS 45.004 [21]. The input signals used are defined by

Narrow pulse-shaping filter: Higher symbol rate using spectrally narrow pulse shaping filter.

Wide pulse-shaping filter: Higher symbol rate using spectrally wide pulse shaping filter.

For multicarrier BTS the test cases and requirements for normal BTS apply unless otherwise stated for multicarrier receiver. The test cases for multicarrier receiver apply also for multicarrier BTS with multicarrier receiver supporting non-contiguous frequency allocation. The BTS configuration conditions in subclause 4.10.10 apply.

Requirements do not apply to channels in VAMOS mode unless explicitly stated. When they apply, they shall apply to both VAMOS sub-channels. VAMOS sub-channel 1 shall use TSC-5 from TSC Set 1 and VAMOS sub-channel 2 shall use TSC-5 from TSC Set 2.

In all the relevant subclauses in this clause all Bit Error Ratio (BER), Residual BER (RBER), Block error Ratio (BLER) and Frame Erasure Ratio (FER) measurements shall be carried out according to the general rules for statistical testing in annex A.

7.1 Static Layer 1 receiver functions (nominal error ratios)

7.1.1 Test Purpose

The static Layer 1 receiver functions verified in these tests are the RF parts, the multiplexing and multiple access functions, any existing equalizer, the deciphering functions, the de-interleaving and the channel decoding on the receive side. The performance of the receiver at the maximum specified input level is also verified.

Nominal error ratios (Bit Error Ratio - BER) are measured at a logical reference point that represents the performance before channel decoding. This measurement can be performed for TCH/FS, using unprotected class II bits extracted

after channel decoding, but before any extrapolation. Therefore, the results obtained are representative of the logical reference point before channel decoding. The test can also be performed on the uncoded bits extracted before any channel decoding of a PDTCH channel.

If the BTS supports SFH, this test also verifies the TCH/FS performance in frequency hopping under interference conditions. In this case, the Frame Erasure Ratio (FER) for TCH/FS is used as the performance criteria.

The Random access performance at high input levels is verified by measuring the Frame Erasure Ratio for RACH.

7.1.2 Test Case

GMSK modulation

- 1) For BER measurements, if Slow Frequency Hopping (SFH) is supported by the BSS, the BSS shall be hopping over the maximum range and number of ARFCNs possible for the test environment and which are available in the BSS configuration. If SFH is not supported, the test shall be performed for the radio frequency channels B, M and T. In both cases the tests shall be repeated until all the RF equipment in the BSS configuration is tested on all specified carrier frequencies.

If test is performed with TCH/FS a test signal with normal TCH/FS modulation originating from the BSSTE shall be applied to the BSS receiver input. The unprotected class II bits obtained from the BSS receiver after channel decoding and before any extrapolation shall be compared with the unprotected class II bits originating from the BSSTE.

If test is not performed with TCH/FS a test signal with normal PDTCH modulation originating from the BSSTE shall be applied to the BSS receiver input. The uncoded data bits obtained from the BSS receiver shall be compared with the bits originating from the BSSTE.

NOTE: Uncoded data bits refer to the encrypted bits of a burst, extracted by the receiver without any signal processing improvement from encoding/decoding of the signal.

The test shall be performed at the following power levels of test signal:

- a) A lower limit (20 dB above the reference sensitivity level of the BSS under test), as specified in table 7.1-1, for static propagation conditions.
 - b) -40 dBm, for static propagation conditions.
 - c) -15 dBm for GSM 400, GSM 700, GSM900, GSM850 and MXM 850 BTS, -18 dBm for GSM 400, T-GSM 810, GSM850 and E-GSM 900 multicarrier BTS equipped with multicarrier receiver, and -23 dBm for DCS1800, PCS 1900 and MXM 1900, for static propagation conditions only.
 - d) -5 dBm for GSM900, GSM 700, GSM850 and MXM 850 pico-BTS and -14 dBm for DCS1800, PCS 1900 and MXM 1900 pico-BTS, for static propagation conditions only.
 - e) A lower limit (20 dB above the reference sensitivity level of the BSS under test), as specified in table 7.1-1, for EQ50 propagation conditions, except for GSM 400 where EQ100 applies and for GSM 700 where EQ60 applies, step e) does not apply to pico-BTS.
 - f) -40dBm, for EQ50 propagation conditions, except for GSM 400 where EQ100 applies and for GSM 700 where EQ60 applies, step f) does not apply to pico-BTS.
- 2) For RACH, the test shall be performed for the radio frequency channels B, M and T. A test signal consisting of RACH bursts originating from the BSSTE shall be applied to the BSS receiver input. The proportion of RACH bursts at the input to the receiver which are not correctly identified by the BSS shall be measured.

The test shall be performed at the following power levels of test signal:

- a) A lower limit (20 dB above the reference sensitivity level of the BSS under test), as specified in table 7.1-1, for static propagation conditions.
- b) -40 dBm, for static propagation conditions.

- c) -15 dBm for GSM 400, GSM 700, GSM900, GSM850 and MXM 850BTS, -16 dBm for GSM 400, T-GSM 810, GSM850 and E-GSM 900 multicarrier BTS equipped with multicarrier receiver, and -23 dBm for DCS1800, PCS 1900 and MXM 1900 for static propagation conditions.
- 3) For TCH/FS FER measurements in frequency hopping under interference conditions, two signals are connected to the BSS receiver input via a combining network. The wanted signal with an RF level given in table 7.1-1 shall be cyclically frequency hopping on four carrier frequencies under static conditions. The interfering signal shall be a random continuous, GMSK-modulated signal on only one of the carriers at a level 10 dB higher than the wanted signal.

The test shall be performed with the hopping frequencies centered around RF channel M.

8-PSK, QPSK, 16-QAM and 32-QAM modulations

- 1) If Slow Frequency Hopping (SFH) is supported by the BSS, the BSS shall be hopping over the maximum range and number of ARFCNs possible for the test environment and which are available in the BSS configuration. If SFH is not supported, the test shall be performed for the radio frequency channels B, M and T. In either case the tests shall be repeated until all the RF equipment in the BSS configuration is tested on all specified carrier frequencies.

A test signal with normal PDTCH modulation originating from the BSSTE shall be applied to the BSS receiver input. The uncoded data bits obtained from the BSS receiver shall be compared with the bits originating from the BSSTE.

NOTE: Uncoded data bits refer to the encrypted bits of a burst, extracted by the receiver without any signal processing improvement from encoding/decoding of the signal.

The test shall be performed at the following power levels of test signal:

- A lower limit level, as specified in table 7.1-1, for static propagation conditions.
- 40dBm, for static propagation conditions.
- The maximum limit as specified in table 7.1-1, for static propagation conditions.
- Step a and b shall be repeated with the frequency of the input 8-PSK and, if supported, QPSK, modulated signal randomly offset, by $\pm 0,1$ ppm (except $\pm 0,2$ ppm for GSM400), on a burst-by-burst basis. For each burst, the sign of the frequency offset is chosen according to a 511-bit pseudo-random sequence, defined in ITU-T recommendation O.153.

Table 7.1-1: Limit of RF input for testing of Static Layer 1 receiver functions

BTS Type	Lower Limit GMSK, 8-PSK and QPSK	Maximum Limit 8-PSK and QPSK	Lower Limit 16-QAM and 32-QAM EGPRS2-A	Lower Limit 16-QAM and 32-QAM EGPRS2-B	Maximum Limit 16-QAM and 32-QAM
GSM 400/GSM850/GSM900/DCS1800/PCS 1900/MXM 850/MXM 1900/GSM 700 BTS	-84 dBm	-26 dBm	-84	-78	-29
GSM900/GSM850/MXM 850/GSM 700 micro-BTS M1	-77 dBm	-24 dBm	-77	-71	-27
GSM900/GSM850/MXM 850/GSM 700 micro-BTS M2	-72 dBm	-19 dBm	-72	-66	-22
GSM900/GSM850/MXM 850/GSM 700 micro-BTS M3	-67 dBm	-14 dBm	-67	-61	-17
GSM900/GSM850/MXM 850/GSM 700 pico-BTS P1	-68 dBm	-16 dBm	-68	-62	-19
DCS1800/PCS 1900/ MXM 1900 micro-BTS M1	-82 dBm	-24 dBm	-82	-76	-27
DCS1800/PCS 1900/ MXM 1900 micro-BTS M2	-77 dBm	-19 dBm	-77	-71	-22
DCS1800/PCS 1900/ MXM 1900 micro-BTS M3	-72 dBm	-14 dBm	-72	-66	-17
DCS1800/PCS 1900/ MXM 1900 pico-BTS P1	-75 dBm	-17 dBm	-75	-69	-20

7.1.3 Essential conformance

This test need not be performed.

7.1.4 Complete conformance

Test Environment:

Normal: For GMSK BER measurements, each TRX shall be tested.

For RACH, the TRX supporting the BCCH shall be tested.

For 8-PSK, QPSK, 16-QAM and 32-QAM modulation, each TRX shall be tested. Any modulated channel type for each modulation can be used.

Extreme Temperature: For GMSK BER measurements, one TRX shall be tested on one timeslot, for static propagation conditions only.

For RACH, the TRX supporting the BCCH shall be tested.

For TCH/FS FER measurements, the test need not be performed.

For 8-PSK, QPSK, 16-QAM and 32-QAM modulation, one TRX shall be tested on one timeslot, for static propagation conditions only. Any modulated channel type for each modulation can be used.

Vibration: For GMSK BER measurements, one TRX shall be tested on one timeslot, for static propagation conditions only.

For TCH/FS FER measurements in frequency hopping under interference conditions and for RACH, the test need not be performed.

For 8-PSK, QPSK, 16-QAM and 32-QAM modulation, one TRX shall be tested on one timeslot, for static propagation conditions only. Any modulated channel type for each modulation can be used.

For multicarrier BTS with multicarrier receiver the tests above shall be tested for each receiver antenna port.

Conformance Requirement

The bit error ratio of the unprotected bits (TCH/FS, Class II or uncoded PDTCH bits) shall not exceed:

Static propagation conditions $BER \leq 10^{-4}$ For input levels up to -40 dBm

Static propagation conditions $BER \leq 10^{-3}$ For input levels > -40 dBm

EQ50 (except for GSM400, where EQ100 applies) propagation conditions $BER \leq 3\%$

The FER of TCH/FS under interfering conditions shall not exceed 5 %.

The frame erasure ratio of the RACH shall not exceed 0.5%.

The bit error ratio of uncoded data bits in 8-PSK, QPSK, 16-QAM and 32-QAM channels shall not exceed:

Static propagation conditions (steps a, b and d) $BER \leq 10^{-4}$ for input levels up to -40 dBm.

Static propagation conditions (step c) $BER \leq 10^{-3}$ for input levels > -40 dBm.

7.1.5 Requirement Reference

3GPP TS 45.005 subclause 6.1, subclause 6.5 and subclause 6.6.

7.2 Erroneous Frame Indication Performance

7.2.1 Test Purpose

In 3GPP TS 45.005 a Cyclic Redundancy Check (CRC) is defined for detection of erroneous Layer 2 frames or speech frames. For speech channels also additional error detecting capabilities using some soft information are needed due to DTX operation when no useful signal is transmitted to the receiver. This test verifies the reliability of the overall Bad Frame Indication (BFI) presented to the speech decoder and the Frame Erasure Indication (FEI) used on control channels.

7.2.2 Test Case

- 1) A test signal consisting of continuous GSM modulation of a pseudo random bit stream without mid-amble, and at a level specified in table 7.2-1, shall be applied to the receiver antenna connector, on the same frequency as the TRX under test.

One TRX shall be configured to support a BCCH. The detection by the BSS of error-free RACH bursts (FEI=0) shall be monitored by the BSSTE. If both GPRS is supported by the BSS and a PBCCH can be configured, then the detection by the BSS of error-free PRACH bursts (FEI=0) shall be monitored by the BSS.

Table 7.2-1: Test Signal input level for testing of Erroneous Frame Indication performance

BTS Type	Test signal Input Level
GSM 400/GSM850/GSM900/DCS1800/PCS 1900/MXM 850/MXM 1900/GSM 700 BTS	-84 dBm
GSM900/GSM850/MXM 850/GSM 700 micro-BTS M1	-77 dBm
GSM900/GSM850/MXM 850/GSM 700 micro-BTS M2	-72 dBm
GSM900/GSM850/MXM 850/GSM 700 micro-BTS M3	-67 dBm
GSM900/GSM850/MXM 850/GSM 700 pico-BTS P1	-68 dBm
DCS1800/PCS 1900/ MXM 1900 micro-BTS M1	-82 dBm
DCS1800/PCS 1900/ MXM 1900 micro-BTS M2	-77 dBm
DCS1800/PCS 1900/ MXM 1900 micro-BTS M3	-72 dBm
DCS1800/PCS 1900/ MXM 1900 pico-BTS P1	-75 dBm

- 2) Step 1 shall be repeated without any RF input on the TRX under test, with the receiver antenna connector terminated with 50Ω.
- 3) Step 1 shall be repeated with one timeslot on one TRX configured for TCH/FS, TCH/HS, TCH/EFS, TCH/AxS and for FACCH. The Bad Frame Indication (BFI) shall be monitored by the BSSTE.
- 4) Step 3 shall be repeated without any RF input on the TRX under test, with the receiver antenna connector terminated with 50Ω.
- 5) The test shall be repeated with one timeslot on one TRX configured for TCH/FS, TCH/HS, TCH/EFS and TCH/AxS, when DTX is activated with SID frames and SACCH frames received at a level specified in table 7.2-1 and with no transmission at the other bursts of the TCH. The Bad Frame Indication (BFI) shall be monitored by the BSSTE.

7.2.3 Essential conformance

This test need not be performed.

7.2.4 Complete conformance

Test Environment:

Normal.

Conformance requirement

In steps 1 and 2, less than 0.02 % of the frames shall be detected as error free (FEI=0).

In steps 3, 4 and 5, less than 1 undetected bad speech frame (i.e. detected as BFI=0) shall occur on average in a period of 60 s.

7.2.5 Requirement reference

3GPP TS 45.005 subclause 6.4.

7.3 Static Reference Sensitivity Level

7.3.1 Test Purpose

The static reference sensitivity level of the receiver is the level of signal at the receiver input with a standard test signal at which the receiver will produce after demodulation and channel decoding data with a Frame Erasure Ratio (FER), Residual Bit Error Ratio (RBER) Bit Error Ratio (BER) or Block Error Ratio (BLER) better than or equal to that specified for a specific logical channel type under static propagation conditions.

7.3.2 Test Case

The test shall be performed for the specified ARFCNs. As a minimum, one time slot shall be tested on one TRX.

All TRXs in the BSS configuration shall be on and transmitting full power in all time slots.

For circuit switched channels, except ECSD with slow frequency hopping disabled and AMR-WB, and 8-PSK modulated AMR and AMR-WB channels, a test signal with normal GSM modulation shall be applied to the BSS RX antenna connector, with a power specified in table 7.3-1, on a chosen time slot.

For packet switched channels, for ECSD with slow frequency hopping disabled and AMR-WB, and 8-PSK modulated AMR and AMR-WB channels, a test signal with normal GSM modulation shall be applied to the BSS RX antenna connector, with a power specified in table 7.3-2, on a chosen time slot. When testing the packet switched channels with PAN included the input signal power specified in tables 7.3-3 and 7.3-4 shall be applied.

For BTS types other than normal, the test signal input level shall be increased by the values in table 7.3-5.

The two adjacent time slots shall have a level 50 dB above reference sensitivity requirement specified in table 7.3-1. The content of this signal shall allow the receiver of the TRX under test to either be activated or to detect valid GMSK modulated GSM signals (as specified in the conformance requirement) on the adjacent timeslots for the duration of the test. No signal should be applied during the remaining timeslots.

If Synthesizer Slow Frequency Hopping is supported by the BSS, the test shall be repeated with the following changes:

- a) The BSS shall be hopping over the maximum range and number of ARFCNs possible for the test environment and which are available in the BSS configuration.
- b) The test signal should only be applied for the timeslot under test; no signal should be applied during the remaining timeslots.

Table 7.3-1: Test Signal input level for Static reference sensitivity measurement for circuit switched channels except ECSD and AMR-WB channels, and 8-PSK modulated AMR and AMR-WB channels

BTS Type	Test signal Input Level GMSK
GSM 400/GSM850/GSM900/DCS1800/PCS 1900/MXM 850/MXM 1900/GSM 700 BTS	-104 dBm
GSM900/GSM850/MXM 850/GSM 700 micro-BTS M1	-97 dBm
GSM900/GSM850/MXM 850/GSM 700 micro-BTS M2	-92 dBm
GSM900/GSM850/MXM 850/GSM 700 micro-BTS M3	-87 dBm
GSM900/GSM850/MXM 850/GSM 700 pico-BTS P1	-88 dBm
DCS1800/PCS 1900/ MXM 1900 micro-BTS M1	-102 dBm
DCS1800/PCS 1900/ MXM 1900 micro-BTS M2	-97 dBm
DCS1800/PCS 1900/ MXM 1900 micro-BTS M3	-92 dBm
DCS1800/PCS 1900/ MXM 1900 pico-BTS P1	-95 dBm

Table 7.3-2: Test Signal input level for Static reference sensitivity measurement for packet switched channels without PAN, ECSD and AMR-WB channels, and 8-PSK modulated AMR and AMR-WB channels

Normal BTS (GSM400, GSM850, GSM900, DCS1800, PCS1900, GSM 700, MXM850* , MXM1900*)				
Type of Channel		Static	TTI ⁽²⁾	Comment
PDTCH/CS-1 to 3	dBm	-104	BTTI	
PDTCH/CS-4	dBm	-101	BTTI	
PRACH/11 bits	dBm	-104	-	
PRACH/8 bits	dBm	-104	-	
PACCH	dBm	-104	-	
PDTCH/MCS-1	dBm	-104	BTTI & RTTI	
PDTCH/MCS-2	dBm	-104	BTTI & RTTI	
PDTCH/MCS-3	dBm	-104	BTTI & RTTI	
PDTCH/MCS-4	dBm	-101.5	BTTI & RTTI	
PDTCH/MCS-5	dBm	-101	BTTI & RTTI	
PDTCH/MCS-6	dBm	-99.5	BTTI & RTTI	
PDTCH/MCS-7	dBm	-96	BTTI & RTTI	
PDTCH/MCS-8	dBm	-93	BTTI & RTTI	
PDTCH/MCS-9	dBm	-91.5	BTTI & RTTI	
PDTCH/UAS-7	dBm	-97.5	BTTI & RTTI	
PDTCH/UAS-8	dBm	-96.5	BTTI & RTTI	
PDTCH/UAS-9	dBm	-96	BTTI & RTTI	
PDTCH/UAS-10	dBm	-95	BTTI & RTTI	
PDTCH/UAS-11	dBm	-93	BTTI & RTTI	
PDTCH/UBS-5	dBm	-103.5	BTTI & RTTI	Input signal generated with narrow pulse-shaping filter
PDTCH/UBS-6	dBm	-101.5	BTTI & RTTI	
PDTCH/UBS-7	dBm	-95	BTTI & RTTI	
PDTCH/UBS-8	dBm	-93	BTTI & RTTI	
PDTCH/UBS-9	dBm	-91.5	BTTI & RTTI	
PDTCH/UBS-10	dBm	-88	BTTI & RTTI	
PDTCH/UBS-11	dBm	-85.5	BTTI & RTTI	
PDTCH/UBS-12	dBm	-84.5	BTTI & RTTI	
PDTCH/UBS-5	dBm	-104	BTTI & RTTI	Input signal generated with wide pulse-shaping filter
PDTCH/UBS-6	dBm	-104	BTTI & RTTI	
PDTCH/UBS-7	dBm	-101	BTTI & RTTI	
PDTCH/UBS-8	dBm	-99.5	BTTI & RTTI	
PDTCH/UBS-9	dBm	-98.5	BTTI & RTTI	
PDTCH/UBS-10	dBm	-95	BTTI & RTTI	
PDTCH/UBS-11	dBm	-93	BTTI & RTTI	
PDTCH/UBS-12	dBm	-91.5	BTTI & RTTI	
E-FACCH/F	dBm	-104		
E-TCH/F43.2 (NT)	dBm	-97		
E-TCH/F32 (T)	dBm	-104		
E-TCH/F28.8 (T)	dBm	-99.5		
E-TCH/F28.8 (NT)	dBm	-100		
TCH/WFS12.65	dBm	-104		
TCH/ WFS8.85	dBm	-104		
TCH/WFS6.60	dBm	-104		
O-FACCH/F	dBm	-104		
O-FACCH/H	dBm	-104		
O-TCH/AHS12.2	dBm	-100,5		
O-TCH/AHS10.2	dBm	-101		
O-TCH/AHS7.95	dBm	-102,5		
O-TCH/AHS7.4	dBm	-102,5		
O-TCH/AHS6.7	dBm	-103		
O-TCH/AHS5.9	dBm	-103,5		
O-TCH/AHS5.15	dBm	-104		
O-TCH/AHS4.75	dBm	-104		
O-TCH/AHS-INB (FER)	dBm	-103,5		
O-TCH/AHS (EVSIDUR)	dBm	-104		

O-TCH/AHS (EVRFR)	dBm	-104		
O-TCH/WFS23.85	dBm	-100,5		
O-TCH/WFS15.85	dBm	-102,5		
O-TCH/WFS12.65	dBm	-104		
O-TCH/WFS8.85	dBm	-104		
O-TCH/WFS6.60	dBm	-104		
O-TCH/WFS-INB (FER)	dBm	-104		
O-TCH/WFS (EVSIDUR)	dBm	-104		
O-TCH/WFS (EVRFR)	dBm	-104		
O-TCH/WHS12.65	dBm	-100,5		
O-TCH/WHS8.85	dBm	-102,5		
O-TCH/WHS6.60	dBm	-103		
O-TCH/WHS-INB (FER)	dBm	-103,5		
O-TCH/WHS (EVSIDUR)	dBm	-104		
O-TCH/WHS (EVRFR)	dBm	-104		

*NOTE 1: PDTCH/CS-1 to 4 and ECSD are not applicable for MXM850 and MXM1900
NOTE 2: Test Signal input levels for Static reference sensitivity apply to BTTI without PAN as well as RTTI without PAN for PDTCH indicated in the table.
NOTE 3: The requirements for all channel types assume single antenna configuration.

Table 7.3-3: Test Signal input level for Static reference sensitivity measurement for packet switched channels with PAN included

Normal BTS (GSM400, GSM850, GSM900, DCS1800, PCS1900, GSM 700, MXM850*, MXM1900*)				
Type of Channel		Static	TTI ⁽¹⁾	Comment
PDTCH/MCS-1	dBm	-104	BTTI & RTTI	
PDTCH/MCS-2	dBm	-104	BTTI & RTTI	
PDTCH/MCS-3	dBm	-104	BTTI & RTTI	
PDTCH/MCS-5	dBm	-101	BTTI & RTTI	
PDTCH/MCS-6	dBm	-99.5	BTTI & RTTI	
PDTCH/MCS-7	dBm	-96	BTTI & RTTI	
PDTCH/MCS-8	dBm	-93	BTTI & RTTI	
PDTCH/UAS-7	dBm	-97	BTTI & RTTI	
PDTCH/UAS-8	dBm	-96.5	BTTI & RTTI	
PDTCH/UAS-9	dBm	-95.5	BTTI & RTTI	
PDTCH/UAS-10	dBm	-94.5	BTTI & RTTI	
PDTCH/UAS-11	dBm	-92.5	BTTI & RTTI	
PDTCH/UBS-5	dBm	-104	BTTI & RTTI	Input signal generated with wide pulse-shaping filter
PDTCH/UBS-6	dBm	-104	BTTI & RTTI	
PDTCH/UBS-7	dBm	-101	BTTI & RTTI	
PDTCH/UBS-8	dBm	-99.5	BTTI & RTTI	
PDTCH/UBS-9	dBm	-98.5	BTTI & RTTI	
PDTCH/UBS-10	dBm	-95	BTTI & RTTI	
PDTCH/UBS-11	dBm	-92	BTTI & RTTI	
PDTCH/UBS-12	dBm	-89.5	BTTI & RTTI	

NOTE 1: Test Signal input levels for Static reference sensitivity apply to BTTI with PAN as well as RTTI with PAN for PDTCH indicated in the table.
NOTE 2: The requirements for all channel types assume single antenna configuration.

Table 7.3-4: Test Signal input level for Static reference sensitivity measurement for PAN

Normal BTS (GSM400, GSM850, GSM 900, DCS 1800 & PCS 1900)			
Type of channel	Propagation condition		Comment
	Static		
PDTCH/MCS-1 to 3	dBm	-104	
PDTCH/MCS-5 to 6	dBm	-104	
PDTCH/MCS-7	dBm	-104	
PDTCH/MCS-8	dBm	-104	
PDTCH/UAS-7 to 9	dBm	-104	
PDTCH/UAS-10	dBm	-104	
PDTCH/UAS-11	dBm	-104	
PDTCH/UBS-5 to 6	dBm	-104	Input signal generated with wide pulse-shaping filter
PDTCH/UBS-7 to 8	dBm	-104	
PDTCH/UBS-9	dBm	-104	
PDTCH/UBS-10	dBm	-104	
PDTCH/UBS-11 to 12	dBm	-104	
NOTE : The requirements for all channel types assume single antenna configuration and apply to BTTI & RTTI.			

Table 7.3-5: Test signal input level corrections for different BTS Types (for table 14b)

BTS Type	Test signal Average Input Level corrections
GSM400/GSM850/GSM900/MXM850/GSM 700 micro-BTS M1	+7 dB
GSM900/GSM850/MXM850/GSM 700 micro-BTS M2	+12 dB
GSM900/GSM850/MXM850/GSM 700 micro-BTS M3	+17 dB
GSM900/GSM850/MXM850/GSM 700 pico-BTS P1	+16 dB
DCS1800/PCS 1900/ MXM 1900 micro-BTS M1	+2 dB
DCS1800/PCS 1900/ MXM 1900 micro-BTS M2	+7 dB
DCS1800/PCS 1900/ MXM 1900 micro-BTS M3	+12 dB
DCS1800/PCS 1900/ MXM 1900 pico-BTS P1	+9 dB

The input signal before channel encoding in the BSSTE shall be compared with the signal which is obtained from the BSS receiver after channel decoding.

7.3.3 Essential conformance

Test Environment:

Normal.

Conformance Requirement

For tests with SFH disabled, the tests shall be performed at one ARFCN. For tests with SFH enabled, the tests shall be performed with the range of hopping frequencies centred around RF channel M.

The error performance given in table 7.3-6 shall be met for TCH/FS channel (FER and RBER for class Ib and class II bits) and TCH/HS channel (FER and RBER for class Ib and class II bits with BFI=0).

If GPRS is supported by the BSS, the error performance given in table 7.3-6 shall be met for PDTCH/CS-1 channel (BLER).

If AMR or AMR-WB is supported by the BSS, the error performance given in table 7.3-6 shall be met for one channel. The channel with the highest bitrate shall be tested.

If 8-PSK modulated AMR or AMR-WB is supported by the BSS, the error performance given in table 7.3-6 shall be met for one traffic channel and corresponding associated control channel O-FACCH. The traffic channel with the highest bitrate shall be tested

The error performance given in table 7.3-6 shall be met for PDTCH/MCS-5 or, if not supported, for the PDTCH/MCS-x with the next higher supported number x.

The error performance given in table 7.3-6 shall be met for PDTCH/UAS-7 or, if not supported, for the PDTCH/UAS-x with the next higher supported number x.

The error performance given in table 7.3-6 shall be met for PDTCH/UBS-5, PDTCH/UBS-7 and PDTCH/UBS-10 or, if not supported, for the PDTCH/UBS-x with the next higher supported number x.

The error performance given in table 7.3-6 shall be met for E-TCH/F43.2 NT if supported or for the highest supported data speed.

For packet switched channels only BTTI without PAN need to be tested.

For all tests where a signal is present on adjacent timeslots, the receiver of the TRX under test shall be activated for the duration of the test on the adjacent time slots. As a minimum, this shall include the automatic gain control (AGC) of the receiver being operational on the adjacent timeslots.

7.3.4 Complete conformance

Test Environment:

Normal.

Extreme Temperature: TCH/FS only, for one time slot of one transceiver.

Extreme power supply: TCH/FS only, for one time slot of one transceiver.

NOTE: tests under extreme power supply are carried out at extreme temperature limits.

Conformance Requirement

For tests with SFH disabled, the tests shall be performed at RF channels B, M, and T. For tests with SFH enabled, the tests shall be performed with the range of hopping frequencies centred around M.

The error performance given in table 7.3-6 shall be met for all logical channel types supported by the BSS. If supported, the error performance of PDTCH channels with PAN included and PAN shall be also be met.

For all tests where a signal is present on adjacent timeslots, the BTS shall detect valid GMSK modulated GSM signals with an RXQUAL of 6 or less for the duration of the test on the adjacent time slots.

Table 7.3-6: Static error performance limits at RX sensitivity level

Channel type:	Error Parameter	Limit Value
FACCH/H	FER	0,10 %
FACCH/F	FER	0,10 %
E-FACCH/F	FER	5 %
SDCCH and SACCH	FER	0,10 %
RACH	FER	0,50 %
E-TCH/F43,2 NT	BLER	10 %
E-TCH/F32,0 T	BER	0,1 %
E-TCH/F28,8 T	BER	0,1 %
E-TCH/F28,8 NT	BLER	10 %
TCH/F 14.4	BER	10 ⁻⁵
TCH/F9.6	BER	10 ⁻⁵
TCH/H4.8	BER	10 ⁻⁵
TCH/FS	FER	0,10 α %
- class Ib	RBER	0,40/ α %
- class II	RBER	2,0 %
TCH/HS	FER	0,025 %
- class Ib, BFI=0	RBER	0,001 %
- class II, BFI=0	RBER	0,72 %
-	UFR	0,048 %
- class Ib, UFI=0	RBER	0,001 %
-	EVSIDR	0,06 %
SID=0 and BFI=0	RBER	0,001 %
-	ESIDR	0,01 %
SID=1 or 2	RBER	0,003 %
TCH/EFS	FER	0,1 %
- class Ib	RBER	0,1 %
- class II	RBER	2,0 %
TCH/AFS12.2, class Ib	RBER	0,001 %
TCH/AFS10.2, class Ib	RBER	0,001 %
TCH/AHS7.95	FER	0,01 %
- class Ib	RBER	0,004 %
- class II	RBER	0,66 %
TCH/AHS7.4	FER	0,01 %
- class Ib	RBER	0,001 %
- class II	RBER	0,66 %
TCH/AHS6.7	FER	0,01 %
- class Ib	RBER	0,001 %
- class II	RBER	0,66 %
TCH/AHS5.9, class II	RBER	0,66 %
TCH/AHS5.15, class II	RBER	0,66 %
TCH/AHS4.75, class II	RBER	0,66 %
TCH/AHS-INB	FER	0,013 %
PDTCH/CS-1 to 4	BLER	10 %
PDTCH/MCS-1 to 9	BLER	10 % (Note 2)
PDTCH/UAS-7 to 11	BLER	10 % (Note 3)
PDTCH/UBS-5 to 12	BLER	10 % (Note 3)
PAN	BLER	5 %
PRACH/11 bits	BLER	15 %
PRACH/8 bits	BLER	15 %
PACCH	BLER	10 %
TCH/WFS12.65	FER	1 %
	RBER	0,50 %
TCH/ WFS8.85	FER	1 %
	RBER	0,50 %
TCH/WFS6.60	FER	1 %
	RBER	0,24 %
O-FACCH/F	FER	5 %

Channel type:	Error Parameter	Limit Value
O-FACCH/H	FER	5 %
O-TCH/AHS12.2	FER	1 %
- Class Ib	RBER	0,71 %
O-TCH/AHS10.2	FER	1 %
- Class Ib	RBER	0,35 %
O-TCH/AHS7.95	FER	1 %
- Class Ib	RBER	0,10 %
O-TCH/AHS7.4	FER	1 %
- Class Ib	RBER	0,16 %
O-TCH/AHS6.7	FER	1 %
- Class Ib	RBER	0,22 %
O-TCH/AHS5.9	FER	1 %
- Class Ib	RBER	0,57 %
O-TCH/AHS5.15	FER	1 %
- Class Ib	RBER	0,15 %
O-TCH/AHS4.75	FER	1 %
- Class Ib	RBER	0,18 %
O-TCH/AHS-INB	FER	0.5 %
O-TCH/AHS (EVSIDUR)	FER	1 %
O-TCH/AHS (EVRFR)	FER	1 %
O-TCH/WFS23.85	FER	1 %
- Class Ib	RBER	1,00 %
O-TCH/WFS15.85	FER	1 %
- Class Ib	RBER	0,50 %
O-TCH/WFS12.65	FER	1 %
- Class Ib	RBER	0,89 %
O-TCH/WFS8.86	FER	1 %
- Class Ib	RBER	0,77 %
O-TCH/WFS6.6	FER	1 %
- Class Ib	RBER	0,05 %
O-TCH/WFS-INB	FER	0.5 %
O-TCH/WFS (EVSIDUR)	FER	1 %
O-TCH/WFS (EVRFR)	FER	1 %
O-TCH/WHS12.65	FER	1 %
- Class Ib	RBER	0,57 %
O-TCH/WHS8.86	FER	1 %
- Class Ib	RBER	0,19 %
O-TCH/WHS6.6	FER	1 %
- Class Ib	RBER	0,23 %
O-TCH/WHS-INB	FER	0.5 %
O-TCH/WHS (EVSIDUR)	FER	1 %
O-TCH/WHS (EVRFR)	FER	1 %

NOTE 1: The performance requirements for TCH/WFS inband signalling, SID_UPDATE and RATSCCH are the same as those given for TCH/AFS. It is sufficient to test inband signalling, SID_UPDATE and RATSCCH requirements for only one of the channel types TCH/AFS and TCH/WFS.

NOTE 2: The performance requirements for MCS-1 to 4 and MCS-5 to 9 apply to BTTI & RTTI without PAN included. For MCS-1 to 3 and MCS-5 to 8 the requirements also apply for BTTI&RTTI with PAN.

NOTE 3: The performance requirements for all respective PDTCH type apply to BTTI & RTTI with or without PAN included.

NOTE: The value of α in table 7.3-6 may be between 1 and 1.6, but should be the same for both occurrences.

7.3.5 Requirements Reference

3GPP TS 45.005 subclause 6.2.

7.4 Multipath Reference Sensitivity Level

7.4.1 Test Purpose

The multipath reference sensitivity level of the receiver is the level of signal at the receiver input with a standard test signal at which the receiver will produce after demodulation and channel decoding data with a Frame Erasure Ratio (FER), Residual Bit Error Ratio (RBER), Bit Error Ratio (BER) or Block Error Ratio (BLER) better than or equal to that specified for a specific logical channel type, under multipath propagation conditions.

7.4.2 Test Case

As a minimum, one time slot shall be tested on one TRX.

A test signal with normal GSM modulation shall be applied to the BSS RX antenna connector through a Multipath Fading Simulator as described in annex B.1, on the chosen time slot. When testing 16-QAM, 32-QAM (both normal and higher symbol rate) and QPSK modulated channels, TSC-6 shall be used for the wanted signal. When testing channels in VAMOS mode, two input wanted signals VAMOS sub-channel 1 and VAMOS sub-channel 2 shall be connected to each receiver antenna connector via a Multipath Fading Simulator such that the multipath fading propagation conditions between the input signals and the receiver antennas are uncorrelated. Both VAMOS sub-channels shall be GMSK modulated and encoded independently according to the channel type in table 7.4-2. Independent pseudo random bit streams shall be assumed for both VAMOS sub-channels.

For circuit switched channels, except ECSD and AMR-WB, and 8-PSK modulated AMR and AMR-WB channels and channels in VAMOS mode, the average signal level at the receiver antenna connector of a BTS shall be as specified in table 7.4-1.

For packet switched channels (GPRS, EGPRS and EGPRS2), for ECSD, for AMR-WB channels, and for 8-PSK modulated AMR and AMR-WB channels and channels in VAMOS mode, the average signal level at the receiver antenna connector of a normal BTS for which the reference performance shall be met is specified in table 7.4-2, according to the type of channel and the propagation condition. For channels in VAMOS mode, VAMOS sub-channel 2 shall be at the signal level in table 7.4-2 and VAMOS sub-channel 1 shall be at an input level relative to VAMOS sub-channel 2 according to SCPIR_UL (see clause 3.1). Reference performance shall be met for both VAMOS sub-channels at these levels. For the TI5 propagation profile used for testing GSM 900 and DCS 1800 pico BTS P1 the column headed "TU50 (no FH)" shall be used. For BTS types other than normal, the levels specified in table 7.4-2 shall be increased by the values specified in table 7.4-3. VAMOS mode is not applicable to pico BTS.

In all cases, the average signal level at the receiver shall be measured by taking the mean powers of the sum of the individual paths.

All TRXs in the BSS configuration shall be on and transmitting full power in all time slots.

For tests with TU50 (ideal SFH):

The BSS shall be hopping over the maximum range and number of ARFCNs possible for the test environment and which are available in the BSS configuration.

For TU50 (no SFH), RA250 (no SFH), HT100 (no SFH) and TI5 (no SFH):

If slow frequency hopping is supported by the BSS, it shall be disabled. The test shall be performed for the specified ARFCNs. A test signal with GMSK modulation shall also be applied to the RX antenna connector on the two adjacent time slots at a static power level 50 dB above the reference sensitivity requirement specified in table 7.4-1 of the chosen time slot over the useful part of the burst as defined in 3GPP TS 45.005 for the MS. The content of this signal shall allow the receiver of the TRX under test to either be activated or to detect valid GMSK modulated GSM signals (as specified in the conformance requirement) on the adjacent timeslots for the duration of the test.

For channels in VAMOS mode a time and frequency offset shall be applied to VAMOS sub-channel 1 relative to VAMOS sub-channel 2. The offsets shall be applied burst-wise and taken from a sample sequence that conforms to the probability distribution in Eq 7.4.2a for the time offset and Eq 7.4.2b for the frequency offset, where σ and μ are given in the table below:

Table 7.4-0: Probability distribution parameters.

Frequency Band	850/900	1800	1900
μ	45 Hz	90 Hz	95 Hz
σ	10 Hz	17 Hz	17 Hz

$$p(\text{Time offset}) = \begin{cases} 0.25, & \text{for Time offset} = -1 \text{ Normal Symbol Periods} \\ 0.5, & \text{for Time offset} = 0 \text{ Normal Symbol Periods} \\ 0.25, & \text{for Time offset} = 1 \text{ Normal Symbol Periods} \\ 0, & \text{else} \end{cases} \quad (\text{Eq 7.4.2a})$$

$$p(\text{Frequency offset}) = \frac{1}{\sigma\sqrt{2\pi}} e^{-\frac{(\text{Frequency offset} - \mu)^2}{2\sigma^2}} \quad (\text{Eq 7.4.2b})$$

NOTE: The precise sample sequence for each offset has been left for test equipment manufacturers to specify.

Table 7.4-1: Test signal input level for Multipath Reference Sensitivity measurements for circuit switched channels except ECSD, AMR-WB channels and 8-PSK modulated AMR and AMR-WB channels and channels in VAMOS mode

BTS Type	Test signal Average Input Level to receiver
GSM 400/GSM850/GSM900/DCS1800/PCS 1900/MXM 850/MXM 1900/GSM 700 BTS	-104 dBm
GSM900/GSM850/MXM 850/GSM 700 micro-BTS M1	-97 dBm
GSM900/GSM850/MXM 850/GSM 700 micro-BTS M2	-92 dBm
GSM900/GSM850/MXM 850/GSM 700 micro-BTS M3	-87 dBm
GSM900/GSM850/MXM 850/GSM 700 pico-BTS P1	-85 dBm
DCS1800/PCS 1900/ MXM 1900 micro-BTS M1	-102 dBm
DCS1800/PCS 1900/ MXM 1900 micro-BTS M2	-97 dBm
DCS1800/PCS 1900/ MXM 1900 micro-BTS M3	-92 dBm
DCS1800/PCS 1900/ MXM 1900 pico-BTS P1	-92 dBm

Table 7.4-2: Test signal input level for Multipath Reference Sensitivity measurements for packet switched, ECSD and AMR-WB channels, and 8-PSK modulated AMR and AMR-WB channels and channels in VAMOS mode

Table 7.4-2		Normal BTS (GSM 400, GSM 900, GSM 700, GSM 850 and MXM 850***)					
Type of Channel		Propagation conditions				Comments	
		TU50 (no FH)	TU50 (ideal FH)	RA250 (no FH)	HT100 (no FH)		
PDTCH/CS-1	dBm	-104	-104	-104	-103		
PDTCH/CS-2	dBm	-100	-101	-101	-99		
PDTCH/CS-3	dBm	-98	-99	-98	-96		
PDTCH/CS-4	dBm	-90	-90	*	*		
PDTCH/MCS-1	dBm	-102.5	-103	-103	-102	(6)	
PDTCH/MCS-2	dBm	-100.5	-101	-100.5	-100	(6)	
PDTCH/MCS-3	dBm	-96.5	-96.5	-92.5	-95.5	(6)	
PDTCH/MCS-4	dBm	-91	-91	*	*	(6)	
PDTCH/MCS-5	dBm	-96.5	-97	-96	-95	(6)	
PDTCH/MCS-6	dBm	-94	-94.5	-91	-91	(6)	
PDTCH/MCS-7	dBm	-89	-88.5	-87**	-86**	(6)	
PDTCH/MCS-8	dBm	-84	-84	*	-81.5**	(6)	
PDTCH/MCS-9	dBm	-80	-80	*	*	(6)	
PDTCH/UAS-7	dBm	-92	-93	-93.5	-91	(6)	
PDTCH/UAS-8	dBm	-91	-91.5	-90.5	-89	(6)	
PDTCH/UAS-9	dBm	-89	-89.5	-85.5	-86.5	(6)	
PDTCH/UAS-10	dBm	-87	-87	-84.5**	-86.5**	(6)	
PDTCH/UAS-11	dBm	-82.5	-82	*	-80.5**	(6)	
PDTCH/UBS-5	dBm	-104	-104	-104	-104	(6)	
PDTCH/UBS-6	dBm	-104	-104	-104	-103.5	(6)	
PDTCH/UBS-7	dBm	-99.5	-100.5	-101.5	-98.5	(6)	
PDTCH/UBS-8	dBm	-97.5	-98.5	-99.5	-95.5	(6)	
PDTCH/UBS-9	dBm	-96.5	-97	-97.5	-93	(6)	
PDTCH/UBS-10	dBm	-92.5	-93	-93	-93.5**	(6)	
PDTCH/UBS-11	dBm	-90	-90	-92.5**	-89.5**	(6)	
PDTCH/UBS-12	dBm	-88.5	-88.5	-90**	*	(6)	
PDTCH/UBS-5	dBm	*	-103.5	*	-103.5	(6)	
PDTCH/UBS-6	dBm	*	-101.5	*	-101	(6)	
PDTCH/UBS-7	dBm	*	-95	*	-92.5	(6)	
PDTCH/UBS-8	dBm	*	-92.5	*	-88	(6)	
PDTCH/UBS-9	dBm	*	-91.5	*	-85	(6)	
PDTCH/UBS-10	dBm	*	-87	*	*	(6)	
PDTCH/UBS-11	dBm	*	-82	*	*	(6)	
PDTCH/UBS-12	dBm	*	-80	*	*	(6)	
E-TCH/F43,2 NT	dBm	-91	-92	-89	-89.5		
E-TCH/F32,0 T	dBm	-97.5	-100	-100	-96.5		
E-TCH/F28,8 T	dBm	-93.5	-95	-93.5	-94.5		
E-TCH/F28,8 NT	dBm	-95.5	-96.5	-96.5	-96		
E-FACCH/F	dBm	-101	-102	-102	-98		
PRACH/11 bits	dBm	-104	-104	-103	-103		
PRACH/8 bits	dBm	-104	-104	-103	-103		
PACCH	dBm	-104	-104	-104	-103		
TCH/WFS12.65	dBm	-99,5	-100,5	-101	-99		
TCH/ WFS8.85	dBm	-102	-103,5	-104	-102		
TCH/ WFS6.60	dBm	-103	-104	-104	-103,5		
O-FACCH/F	dBm	-100,5	-101,5	-101,5	-100		
O-FACCH/H	dBm	-100,5	-100,5	-101	-99		
O-TCH/AHS12.2	dBm	-94,5	-95	-94	-92,5		

Table 7.4-2		Normal BTS (GSM 400, GSM 900, GSM 700, GSM 850 and MXM 850***)				Comments
Type of Channel		TU50 (no FH)	TU50 (ideal FH)	RA250 (no FH)	HT100 (no FH)	
O-TCH/AHS10.2	dBm	-95,5	-96	-95	-93,5	
O-TCH/AHS7.95	dBm	-96,5	-97	-96,5	-94,5	
O-TCH/AHS7.4	dBm	-97,5	-97,5	-97	-95	
O-TCH/AHS6.7	dBm	-98	-98,5	-97,5	-95,5	
O-TCH/AHS5.9	dBm	-98	-98,5	-98,5	-96,5	
O-TCH/AHS5.15	dBm	-98,5	-99	-98,5	-97	
O-TCH/AHS4.75	dBm	-99,5	-99,5	-99,5	-97,5	
O-TCH/AHS-INB (FER)	dBm	-99	-99,5	-98,5	-98	
O-TCH/AHS (EVSIDUR)	dBm	-100,5	-101,5	-101,5	-99	
O-TCH/AHS (EVRFR)	dBm	-101	-101,5	-101,5	-99	
O-TCH/WFS23.85	dBm	-95	-96,5	-97	-94,5	
O-TCH/WFS15.85	dBm	-97,5	-99	-100,5	-97	
O-TCH/WFS12.65	dBm	-99	-100	-101	-98,5	
O-TCH/WFS8.85	dBm	-100,5	-102	-102,5	-100,5	
O-TCH/WFS6.60	dBm	-101,5	-103	-103,5	-101,5	
O-TCH/WFS-INB (FER)	dBm	-103,5	-103,5	-104	-103	
O-TCH/WFS (EVSIDUR)	dBm	-100	-102	-101	-99,5	
O-TCH/WFS (EVRFR)	dBm	-101	-103	-103	-101	
O-TCH/WHS12.65	dBm	-94,5	-95	-93,5	-92,5	
O-TCH/WHS8.85	dBm	-96	-96,5	-96	-94	
O-TCH/WHS6.60	dBm	-98	-98,5	-97,5	-96	
O-TCH/WHS-INB (FER)	dBm	-99	-99,5	-98,5	-98	
O-TCH/WHS (EVSIDUR)	dBm	-100,5	-101,5	-101,5	-99	
O-TCH/WHS (EVRFR)	dBm	-101	-101,5	-101,5	-99	
TCH/HS	dBm	-108	*	*	*	VAMOS mode with 0 dB SCPIR_UL
TCH/EFS	dBm	-106.5	*	*	*	
TCH/AFS 12.2	dBm	-106.5	*	*	*	
TCH/AFS 4.75	dBm	-112	*	*	*	
TCH/AHS 7.4	dBm	-104	*	*	*	
TCH/AHS 4.75	dBm	-108.5	*	*	*	
TCH/WFS 12.65	dBm	-106.5	*	*	*	
TCH/WFS 6.60	dBm	-110.5	*	*	*	
FACCH/F	dBm	-108.5	*	*	*	
FACCH/H	dBm	-108.5	*	*	*	
SACCH	dBm	-108.5	*	*	*	
Repeated SACCH	dBm	-113.5	*	*	*	
TCH/HS	dBm	-108.5	*	*	*	VAMOS mode with -10 dB SCPIR_UL
TCH/EFS	dBm	-107	*	*	*	
TCH/AFS 12.2	dBm	-107.5	*	*	*	
TCH/AHS 7.4	dBm	-105	*	*	*	
TCH/WFS 12.65	dBm	-107.5	*	*	*	

Table 7.4-2		Normal BTS (DCS 1800, PCS 1900 and MXM 1900***)				
Type of Channel		Propagation conditions				Comments
		TU50 (no FH)	TU50 (ideal FH)	RA130 (no FH)	HT100 (no FH)	
PDTCH/CS-1	dBm	-104	-104	-104	-103	
PDTCH/CS-2	dBm	-100	-100	-101	-99	
PDTCH/CS-3	dBm	-98	-98	-98	-94	
PDTCH/CS-4	dBm	-88	-88	*	*	
PDTCH/MCS-1	dBm	-102.5	-103	-103	-101.5	(6)
PDTCH/MCS-2	dBm	-100.5	-101	-100.5	-99.5	(6)
PDTCH/MCS-3	dBm	-96.5	-96.5	-92.5	-94.5	(6)
PDTCH/MCS-4	dBm	-90.5	-90.5	*	*	(6)
PDTCH/MCS-5	dBm	-95.5	-97	-96	-93	(6)
PDTCH/MCS-6	dBm	-94	-94	-91	-85.5	(6)
PDTCH/MCS-7	dBm	-87	-86.5	-87**	*	(6)
PDTCH/MCS-8	dBm	-86.5**	-86.5**	*	*	(6)
PDTCH/MCS-9	dBm	-83**	-83**	*	*	(6)
PDTCH/UAS-7	dBm	-92.5	-92.5	-93.5	-85	(6)
PDTCH/UAS-8	dBm	-91	-91	-90.5	-87.5**	(6)
PDTCH/UAS-9	dBm	-89	-89	-85.5	-81.5**	(6)
PDTCH/UAS-10	dBm	-85	-85	-84.5**	*	(6)
PDTCH/UAS-11	dBm	-86**	-86**	*	*	(6)
PDTCH/UBS-5	dBm	-104	-104	-104	-104	(6)
PDTCH/UBS-6	dBm	-104	-104	-104	-104	(6)
PDTCH/UBS-7	dBm	-100.5	-100.5	-101.5	-97.5	(6)
PDTCH/UBS-8	dBm	-98.5	-98.5	-99.5	-97	(6)
PDTCH/UBS-9	dBm	-97	-97	-97.5	-94.5	(6)
PDTCH/UBS-10	dBm	-92.5	-92.5	-93	-91.5**	(6)
PDTCH/UBS-11	dBm	-88.5	-88.5	-92.5**	*	(6)
PDTCH/UBS-12	dBm	-86.5	-86.5	-90**	*	(6)
PDTCH/UBS-5	dBm	*	-103.5	*	-103.5	(6)
PDTCH/UBS-6	dBm	*	-101.5	*	-101	(6)
PDTCH/UBS-7	dBm	*	-95	*	-89.5	(6)
PDTCH/UBS-8	dBm	*	-92.5	*	-92**	(6)
PDTCH/UBS-9	dBm	*	-91.5	*	-88.5**	(6)
PDTCH/UBS-10	dBm	*	-87	*	*	(6)
PDTCH/UBS-11	dBm	*	-82	*	*	(6)
PDTCH/UBS-12	dBm	*	-80	*	*	(6)
E-TCH/F43,2 NT	dBm	-91.5	-91.5	-88.5	-86	
E-TCH/F32,0 T	dBm	-98.5	-100	-100	-97	
E-TCH/F28,8 T	dBm	-94.5	-95	-92.5	-93	
E-TCH/F28,8 NT	dBm	-96	-96.5	-96	-95	
E-FACCH/F	dBm	-102	-102	-102	-98	
PRACH/11 bits	dBm	-104	-104	-103	-103	
PRACH/8 bits	dBm	-104	-104	-103	-103	
PACCH	dBm	-104	-104	-104	-103	
TCH/WFS12.65	(dBm)	-100,5	-100,5	-101	-99	
TCH/ WFS8.85	(dBm)	-103,5	-103,5	-104	-102	
TCH/ WFS6.60	(dBm)	-104	-104	-104	-103,5	
O-FACCH/F	dBm	-100,5	-100,5	-101,5	-100	
O-FACCH/H	dBm	-100	-100	-101	-99	
O-TCH/AHS12.2	dBm	-94,5	-94,5	-94	-92	
O-TCH/AHS10.2	dBm	-95,5	-95,5	-95	-93	
O-TCH/AHS7.95	dBm	-96,5	-96,5	-96,5	-94	
O-TCH/AHS7.4	dBm	-97	-97	-97	-94,5	

Table 7.4-2		Normal BTS (DCS 1800, PCS 1900 and MXM 1900***)				Comments
Type of Channel		TU50 (no FH)	TU50 (ideal FH)	RA130 (no FH)	HT100 (no FH)	
O-TCH/AHS6.7	dBm	-98	-98	-97,5	-95,5	
O-TCH/AHS5.9	dBm	-98,5	-98,5	-98,5	-96	
O-TCH/AHS5.15	dBm	-99	-99	-98,5	-97	
O-TCH/AHS4.75	dBm	-99,5	-99,5	-99,5	-97,5	
O-TCH/AHS-INB (FER)	dBm	-99	-99	-98,5	-97,5	
O-TCH/AHS (EVSIDUR)	dBm	-97,5	-97,5	-101,5	-99	
O-TCH/AHS (EVRFR)	dBm	-101	-101	-101,5	-99	
O-TCH/WFS23.85	dBm	-96	-96	-97	-94	
O-TCH/WFS15.85	dBm	-98,5	-98,5	-100,5	-97	
O-TCH/WFS12.65	dBm	-100	-100	-101	-98,5	
O-TCH/WFS8.85	dBm	-102	-102	-102,5	-100,5	
O-TCH/WFS6.60	dBm	-102,5	-102,5	-103,5	-101,5	
O-TCH/WFS-INB (FER)	dBm	-103	-103	-104	-102,5	
O-TCH/WFS (EVSIDUR)	dBm	-101	-101	-101	-99	
O-TCH/WFS (EVRFR)	dBm	-102,5	-102,5	-103	-101	
O-TCH/WHS12.65	dBm	-94,5	-94,5	-93,5	-92	
O-TCH/WHS8.85	dBm	-96	-96	-96	-94	
O-TCH/WHS6.60	dBm	-98	-98	-97,5	-95,5	
O-TCH/WHS-INB (FER)	dBm	-99	-99	-98,5	-97,5	
O-TCH/WHS (EVSIDUR)	dBm	-97,5	-97,5	-101,5	-99	
O-TCH/WHS (EVRFR)	dBm	-101	-101	-101,5	-99	
TCH/HS	dBm	-107.5	*	*	*	VAMOS mode with 0 dB SCPIR
TCH/EFS	dBm	-106.5	*	*	*	
TCH/AFS 12.2	dBm	-106.5	*	*	*	
TCH/AFS 4.75	dBm	-113	*	*	*	
TCH/AHS 7.4	dBm	-103.5	*	*	*	
TCH/AHS 4.75	dBm	-108.5	*	*	*	
TCH/WFS 12.65	dBm	-106.5	*	*	*	
TCH/WFS 6.60	dBm	-111	*	*	*	
FACCH/F	dBm	-109	*	*	*	
FACCH/H	dBm	-108.5	*	*	*	
SACCH	dBm	-108.5	*	*	*	
Repeated SACCH	dBm	-113	*	*	*	
TCH/HS	dBm	-108	*	*	*	VAMOS mode with -10 dB SCPIR
TCH/EFS	dBm	-106.5	*	*	*	
TCH/AFS 12.2	dBm	-107	*	*	*	
TCH/AHS 7.4	dBm	-103.5	*	*	*	
TCH/WFS 12.65	dBm	-107	*	*	*	

NOTE 1: Logical channels shall not be tested for the propagation conditions marked as (*).

NOTE 2: For GSM 400 the speeds shall be doubled (e.g. TU50 shall be TU100), and for GSM 700 the speeds shall be multiplied by 1,2 (e.g. TU50 shall be TU60).

NOTE 3: Performance is specified at 30% BLER for those cases marked as (**)

***NOTE 4: PDTCH/CS-1 to 4 and ECSD are not applicable for MXM850 and MXM1900

NOTE 5: PDTCH/UBS-5 to 12 requirements assume that two-antenna receive diversity is used. The input signals shall use higher symbol rate and be generated with the applicable pulse-shaping filter.

NOTE 6: Only BTTI without PAN need to be tested.

Table 7.4-3: Test signal input level corrections for different BTS Types (for table 7.4-2)

BTS Type	Test signal Average Input Level corrections
GSM850/GSM900/MXM850/GSM700 micro-BTS M1	+7 dB
GSM900/GSM850/MXM850/GSM700 micro-BTS M2	+12 dB
GSM900/GSM850/MXM850/GSM700 micro-BTS M3	+17 dB
GSM900/GSM850/MXM850/GSM700 pico-BTS P1	+19 dB
DCS1800/PCS 1900/ MXM 1900 micro-BTS M1	+2 dB
DCS1800/PCS 1900/ MXM 1900 micro-BTS M2	+7 dB
DCS1800/PCS 1900/ MXM 1900 micro-BTS M3	+12 dB
DCS1800/PCS 1900/ MXM 1900 pico-BTS P1	+12 dB

The input signal before channel encoding in the BSSTE shall be compared with the signal which is obtained from the BSS receiver after channel decoding.

7.4.3 Essential conformance

Test Environment:

Normal.

Normal and Micro-BTS Conformance Requirement

The error performance of TCH/FS shall be measured on RF channels B, M, and T for propagation profile TU50 (no SFH). The receiver of the TRX under test shall also be activated on the adjacent timeslots. As a minimum, this shall include the automatic gain control (AGC) of the receiver being operational on the adjacent timeslots.

The error performance of each of the following logical channel types supported by the BSS shall be measured, each on one ARFCN, for the specified propagation profiles (for GSM 400 applicable speeds are multiplied by 2 and for GSM 700 by 1,2):

TCH/FS:	TU50 (no SFH), HT100, RA130 or RA250
TCH/HS (FER and RBER with BFI=0):	TU50 (no SFH), HT100, RA130 or RA250
SDCCH:	TU50 (no SFH), HT100, RA130 or RA250
TCH/F9.6:	HT100, RA130 or RA250
TCH/F4.8:	HT100, RA130 or RA250
PDTCH/CS-1:	TU50(no SFH), HT100, RA130 or RA250
PDTCH/MCS-1 or, if not supported, PDTCH/MCS-x with the next higher supported number x:	TU50(no SFH), HT100, RA130 or RA250
PDTCH/MCS-5 or, if not supported, PDTCH/MCS-x with the next higher supported number x:	TU50(no SFH), HT100, RA130 or RA250
E-TCH/43.2 NT or for the highest supported data speed:	HT100, RA130 or RA250
PDTCH/UAS-7 or, if not supported, PDTCH/UAS-x with the next higher supported number x:	TU50(no SFH), HT100, RA130 or RA250
PDTCH/UBS-5 or, if not supported, PDTCH/UBS-x with the next higher supported number x:	TU50(no SFH), HT100, RA130 or RA250
PDTCH/UBS-7 or, if not supported, PDTCH/UBS-x with the next higher supported number x:	TU50(no SFH), HT100, RA130 or RA250

PDTCH/UBS-10 or, if not supported,
 PDTCH/UBS-x with the
 next higher supported number x: TU50(no SFH), HT100, RA130 or RA250

For all UBS-x, the tests need only to be performed for input signals with wide pulse-shaping filter.

The error performance given in tables 7.4-4 and 7.4-5 shall be met for all combinations of logical channel type, frequency and multipath propagation profile tested.

If AMR or AMR-WB is supported by the BSS, the error performance given in tables 7.4-4 and 7.4-5 shall be met for one channel under TU50 (no SFH) propagation condition. The channel with the highest bitrate shall be tested.

If 8-PSK modulated AMR or AMR-WB is supported by the BSS, the error performance given in tables 7.4-4 and 7.4-5 shall be met for one traffic channel and corresponding associated control channel O-FACCH under TU50 (no SFH) propagation condition. The traffic channel with the highest bitrate shall be tested.

If VAMOS is supported by the BSS, the error performance given in tables 7.4-4 and 7.4-5 shall be met for one supported traffic channel and its corresponding associated control channels (FACCH and SACCH). The supported traffic channel (TCH/HS, TCH/EFS, TCH/AFS_x, TCH/AHS_x or TCH/WFS_x) and codec mode (if applicable) with the highest bitrate for which requirements exist at both SCPIR_UL values shall be tested.

Pico-BTS Conformance Requirement

The error performance of TCH/FS shall be measured on RF channels B, M, and T for propagation profile TI5 (no SFH). The receiver of the TRX under test shall also be activated on the adjacent timeslots. As a minimum, this shall include the automatic gain control (AGC) of the receiver being operational on the adjacent timeslots.

The error performance of each of the following logical channel types supported by the BSS shall also be measured, each on one ARFCN, for propagation profile TI5 (no SFH) only (for GSM 400 applicable speeds are multiplied by 2 and for GSM 700 by 1,2):

TCH/HS (FER and RBER with BFI=0):	TI5
SDCCH:	TI5
TCH/F9.6:	TI5
TCH/F4.8:	TI5
PDTCH/CS-1	TI5
PDTCH/MCS-1 or, if not supported, for the PDTCH/MCS-x with the next higher supported number x:	TI5
PDTCH/MCS-5 or, if not supported, PDTCH/MCS-x with the next higher supported number x:	TI5
E-TCH/43.2NT or for the highest supported data speed.:	TI5
PDTCH/UAS-5 or, if not supported, PDTCH/UAS-x with the next higher supported number x:	TI5
PDTCH/UBS-5 or, if not supported, PDTCH/UBS-x with the next higher supported number x:	TI5
PDTCH/UBS-7 or, if not supported, PDTCH/UBS-x with the	

next higher supported number x: TI5

PDTCH/UBS-10 or, if not supported,
PDTCH/UBS-x with the

next higher supported number x: TI5

For all UBS-x, the tests need only to be performed for input signals with wide pulse-shaping filter.

The error performance given in tables 7.4-4 and 7.4-5 for the TI5 (no SFH) multipath propagation profile shall be met for all the above logical channel types tested.

If AMR or AMR-WB is supported by the BSS, the error performance given in tables 7.4-4 and 7.4-5 shall be met for one channel under TI5 propagation condition. The channel with the highest bitrate shall be tested.

If 8-PSK modulated AMR or AMR-WB is supported by the BSS, the error performance given in tables 7.4-4 and 7.4-5 shall be met for one traffic channel and corresponding associated control channel O-FACCH under TI5 propagation condition. The traffic channel with the highest bitrate shall be tested.

7.4.4 Complete conformance

Test Environment:

Normal.

Normal and Micro-BTS Conformance Requirement

The error performance given in tables 7.4-4 and 7.4-5 shall be met for all logical channel types supported by the BSS and for all the multipath propagation profiles (excluding TI5) given in tables 7.4-4 and 7.4-5.

For tests without SFH, the BTS shall detect valid GMSK modulated GSM signals with an RXQUAL of 6 or less for the duration of the test on the adjacent time slots.

Pico-BTS Conformance Requirement

The error performance given in tables 7.4-4 and 7.4-5 for the TI5 (no SFH) multipath propagation profile shall be met for all logical channel types defined in tables 7.4-4 and 7.4-5.

Table 7.4-4: Multipath error performance limits at RX sensitivity level

Table 7.4-4		GSM 400, GSM 700, GSM 850, GSM900 and MXM 850					
Channel Type	Error Measure	Error Ratios for the specified propagation conditions					Comments
		TU50 (no SFH)	TU50 (ideal SFH)	RA250 (no SFH)	HT100 (no SFH)	TI5 (no SFH)	
FACCH/H	(FER)	6.9 %	6.9 %	5.7 %	10.0 %	6.9 %	
FACCH/F	(FER)	8.0 %	3.8 %	3.4 %	6.3 %	8.0 %	
E-FACCH/F	(FER)	5 %	5 %	5 %	5 %	5 %	
SDCCH and SACCH	(FER)	13 %	8.0 %	8.0 %	12.0 %	13 %	
RACH	(FER)	13 %	13 %	12 %	13 %	13 %	
E-TCH/F43,2 NT	(BLER)	10 %	10 %	10 %	10 %	10 %	
E-TCH/F32,0 T	(BER)	0.1 %	0.1 %	0.1 %	0.1 %	0.1 %	
E-TCH/F28,8 T	(BER)	0.1 %	0.1 %	0.1 %	0.1 %	0.1 %	
E-TCH/F28,8 NT	(BLER)	10 %	10 %	10 %	10 %	10 %	
TCH/F 14.4	(BER)	2.5%	2.0%	2.0%	5.0%	2.5 %	
TCH/F9.6	(BER)	0.50 %	0.40 %	0.10 %	0.70 %	0.50 %	
TCH/F4.8	(BER)	10 ⁻⁴	10 ⁻⁴	10 ⁻⁴	10 ⁻⁴	10 ⁻⁴	
TCH/F2.4	(BER)	2 10 ⁻⁴	10 ⁻⁵	10 ⁻⁵	10 ⁻⁵	2 10 ⁻⁴	
TCH/H4.8	(BER)	0.50 %	0.40 %	0.10 %	0.70 %	0.50 %	
TCH/H2.4	(BER)	10 ⁻⁴	10 ⁻⁴	10 ⁻⁴	10 ⁻⁴	10 ⁻⁴	
TCH/FS	(FER)	6.0 α %	3.0 α %	2.0 α %	7.0 α %	6.0 α %	
- class Ib	(RBER)	0.40/ α %	0.30/ α %	0.20/ α %	0.50/ α %	0.40/ α %	
- class II	(RBER)	8.0 %	8.0 %	7.0 %	9.0 %	8.0 %	
TCH/HS	(FER)	4.1 %	4.1 %	4.1 %	4.5 %	4.1 %	
- class Ib	(RBER, BFI=0)	0.36 %	0.36 %	0.28 %	0.56 %	0.36 %	
- class II	(RBER, BFI=0)	6.9 %	6.9 %	6.8 %	7.6 %	6.9 %	
-	(UFR)	5.6 %	5.6 %	5.0 %	7.5 %	5.6 %	
- class Ib	(RBER, UFI=0)	0.24 %	0.24 %	0.21 %	0.32 %	0.24 %	
-	(ESIDR)	6.8 %	6.8 %	6.0 %	9.2 %	6.8 %	
-	(RBER, SID=2 and BFI=0)	0.01 %	0.01 %	0.01 %	0.02 %	0.01 %	
-	(ESIDR)	3.0 %	3.0 %	3.2 %	3.4 %	3.0 %	
-	(RBER, SID=1 or 2)	0.3 %	0.3 %	0.21 %	0.42 %	0.3 %	
TCH/EFS	(FER)	8 %	3 %	3 %	7%	8 %	
- class Ib	(RBER)	0.21 %	0.11 %	0.10 %	0.20 %	0.21 %	
- class II	(RBER)	7 %	8 %	7 %	9 %	7 %	
TCH/AFS12.2	(FER)	4,9 %	2,4 %	1,4 %	4,5 %	4,9 %	
- class Ib	(RBER)	1,5 %	1,5 %	1,2 %	2,1 %	1,5 %	
TCH/AFS10.2	(FER)	2,1 %	0,85 %	0,45 %	1,6 %	2,1 %	
- class Ib	(RBER)	0,23 %	0,15 %	0,092 %	0,26 %	0,23 %	
TCH/AFS7.95	(FER)	0,36 %	0,045 %	0,024 %	0,096 %	0,36 %	
- class Ib	(RBER)	0,11 %	0,032 %	0,02 %	0,06 %	0,11 %	
TCH/AFS7.4	(FER)	0,41 %	0,069 %	0,028 %	0,13 %	0,41 %	
- class Ib	(RBER)	0,054 %	0,016 %	0,009 %	0,033 %	0,054 %	
TCH/AFS6.7	(FER)	0,16 %	0,017 %	0,01 %	0,026 %	0,16 %	
- class Ib	(RBER)	0,082 %	0,022 %	0,013 %	0,044 %	0,082 %	
TCH/AFS5.9	(FER)	0,094 %	0,01 %	0,01 %	0,011 %	0,094 %	
- class Ib	(RBER)	0,014 %	0,001 %	0,001 %	0,003 %	0,014 %	
TCH/AFS5.15	(FER)	0,07 %	0,01 %	0,01 %	0,01 %	0,07 %	

Table 7.4-4		GSM 400, GSM 700, GSM 850, GSM900 and MXM 850					
Channel Type	Error Measure	Error Ratios for the specified propagation conditions					Comments
		TU50 (no SFH)	TU50 (ideal SFH)	RA250 (no SFH)	HT100 (no SFH)	TI5 (no SFH)	
- class Ib	(RBER)	0,014 %	0,001 %	0,001 %	0,002 %	0,014 %	
TCH/AFS4.75	(FER)	0,029 %	0,01 %	-	0,01 %	0,029 %	
- class Ib	(RBER)	0,005 %	0,001 %	0,001 %	0,001 %	0,005 %	
TCH/AFS-INB	(FER)	0,034 %	0,013 %	0,006 %	0,019 %	0,034 %	
TCH/AFS	(EVSIDUR)	0,82 %	0,17 %	0,17 %	0,17 %	0,82 %	
TCH/AFS	(EVRFR)	0,095 %	0,007 %	0,007 %	0,011 %	0,095 %	
TCH/AHS7.95	(FER)	20 %	20 %	17 %	28 %	20 %	
- class Ib	(RBER)	2,3 %	2,3 %	2 %	2,9 %	2,3 %	
- class II	(RBER)	5 %	5 %	4,7 %	5,7 %	5 %	
TCH/AHS7.4	(FER)	16 %	16 %	14 %	22 %	16 %	
- class Ib	(RBER)	1,4 %	1,4 %	1,1 %	1,8 %	1,4 %	
- class II	(RBER)	5,3 %	5,3 %	5 %	6,0 %	5,3 %	
TCH/AHS6.7	(FER)	9,2 %	9,2 %	8 %	13 %	9,2 %	
- class Ib	(RBER)	1,1 %	1,1 %	0,93 %	1,5 %	1,1 %	
- class II	(RBER)	5,8 %	5,8 %	5,5 %	6,6 %	5,8 %	
TCH/AHS5.9	(FER)	5,7 %	5,7 %	4,9 %	8,6 %	5,7 %	
- class Ib	(RBER)	0,51 %	0,51 %	0,42 %	0,73 %	0,51 %	
- class II	(RBER)	6 %	6 %	5,7 %	6,8 %	6 %	
TCH/AHS5.15	(FER)	2,5 %	2,5 %	2,2 %	4 %	2,5 %	
- class Ib	(RBER)	0,51 %	0,51 %	0,43 %	0,78 %	0,51 %	
- class II	(RBER)	6,3 %	6,3 %	6 %	7,2 %	6,3 %	
TCH/AHS4.75	(FER)	1,2 %	1,2 %	1,2 %	1,8 %	1,2 %	
- class Ib	(RBER)	0,17 %	0,17 %	0,14 %	0,26 %	0,17 %	
- class II	(RBER)	6,4 %	6,4 %	6,2 %	7,4 %	6,4 %	
TCH/AHS-INB	(FER)	0,72 %	0,64 %	0,53 %	0,94 %	0,72 %	
TCH/AHS	(EVSIDUR)	1,5 %	1,5 %	2,1 %	1,5 %	1,5 %	
TCH/AHS	(EVRFR)	0,25 %	0,24 %	0,33 %	0,38 %	0,25 %	
PDTCH/CS-1 to 4	(BLER)	10%	10%	10%	10%	10 %	
PDTCH/MCS-1 to 6	(BLER)	10%	10%	10%	10%	10%	
PDTCH/MCS-7	(BLER)	10 %	10 %	30 %	30 %	10 %	
PDTCH/MCS-8	(BLER)	10 %	10 %	-	30 %	10 %	
PDTCH/MCS-9	(BLER)	10 %	10 %	-	-	10 %	
PDTCH/UAS-7 to 9	(BLER)	10%	10%	10%	10%	10%	
PDTCH/UAS-10	(BLER)	10%	10%	30%	30%	10%	
PDTCH/UAS-11	(BLER)	10%	10%	-	30%	10%	
PDTCH/UBS-5 to 9	(BLER)	10% ³⁾	10%	10% ³⁾	10%	10% ³⁾	
PDTCH/UBS-10	(BLER)	10% ³⁾	10%	10% ³⁾	30% ³⁾	10% ³⁾	
PDTCH/UBS-11	(BLER)	10% ³⁾	10%	30% ³⁾	30% ³⁾	10% ³⁾	
PDTCH/UBS-12	(BLER)	10% ³⁾	10%	30% ³⁾	-	10% ³⁾	
PRACH/11 bits	(BLER)	15%	15%	15%	15%	15 %	
PRACH/8 bits	(BLER)	15%	15%	15%	15%	15 %	
PACCH	(BLER)	10%	10%	10%	10%	10 %	
TCH/WFS12.65	(FER)	1%	1%	1%	1%	1%	
	(RBER)	0,35 %	0,62 %	0,72 %	0,62 %	0,35 %	
TCH/ WFS8.85	(FER)	1%	1%	1%	1%	1%	
	(RBER)	0,38 %	0,59 %	0,72 %	0,62 %	0,38 %	
TCH/ WFS6.60	(FER)	1%	1%	1%	1%	1%	
	(RBER)	0,15 %	0,17 %	0,19 %	0,24 %	0,15 %	
O-FACCH/F	(FER)	5 %	5 %	5 %	5 %	5 %	
O-FACCH/H	(FER)	5 %	5 %	5 %	5 %	5 %	
O-TCH/AHS12.2	(FER)	1 %	1 %	1 %	1 %	1 %	
- class Ib	(RBER)	0,30 %	0,35 %	0,29 %	0,40 %	0,30 %	
O-TCH/AHS10.2	(FER)	1 %	1 %	1 %	1 %	1 %	
- class Ib	(RBER)	0,15 %	0,15 %	0,13 %	0,19 %	0,15 %	
O-TCH/AHS7.95	(FER)	1 %	1 %	1 %	1 %	1 %	
- class Ib	(RBER)	0,08 %	0,08 %	0,05 %	0,10 %	0,08 %	
O-TCH/AHS7.4	(FER)	1 %	1 %	1 %	1 %	1 %	
- class Ib	(RBER)	0,15 %	0,15 %	0,12 %	0,17 %	0,15 %	

Table 7.4-4		GSM 400, GSM 700, GSM 850, GSM900 and MXM 850					
Channel Type	Error Measure	Error Ratios for the specified propagation conditions					Comments
		TU50 (no SFH)	TU50 (ideal SFH)	RA250 (no SFH)	HT100 (no SFH)	TI5 (no SFH)	
O-TCH/AHS6.7	(FER)	1 %	1 %	1 %	1 %	1 %	
- class Ib	(RBER)	0,14 %	0,15 %	0,12 %	0,16 %	0,14 %	
O-TCH/AHS5.9	(FER)	1 %	1 %	1 %	1 %	1 %	
- class Ib	(RBER)	0,20 %	0,19 %	0,15 %	0,25 %	0,20 %	
O-TCH/AHS5.15	(FER)	1 %	1 %	1 %	1 %	1 %	
- class Ib	(RBER)	0,10 %	0,08 %	0,07 %	0,11 %	0,10 %	
O-TCH/AHS4.75	(FER)	1 %	1 %	1 %	1 %	1 %	
- class Ib	(RBER)	0,15 %	0,11 %	0,11 %	0,10 %	0,15 %	
O-TCH/AHS-INB	(FER)	0.5 %	0.5 %	0.5 %	0.5 %	0.5 %	
O-TCH/AHS	(EVSIDUR)	1 %	1 %	1 %	1 %	1 %	
O-TCH/AHS	(EVRFR)	1 %	1 %	1 %	1 %	1 %	
O-TCH/WFS23.85	(FER)	1 %	1 %	1 %	1 %	1 %	
- class Ib	(RBER)	0,16 %	0,28 %	0,24 %	0,28 %	0,16 %	
O-TCH/WFS15.85	(FER)	1 %	1 %	1 %	1 %	1 %	
- class Ib	(RBER)	0,44 %	0,33 %	0,64 %	0,50 %	0,44 %	
O-TCH/WFS12.65	(FER)	1 %	1 %	1 %	1 %	1 %	
- class Ib	(RBER)	0,37 %	0,21 %	0,51 %	0,59 %	0,37 %	
O-TCH/WFS8.85	(FER)	1 %	1 %	1 %	1 %	1 %	
- class Ib	(RBER)	0,31 %	0,22 %	0,42 %	0,48 %	0,31 %	
O-TCH/WFS6.60	(FER)	1 %	1 %	1 %	1 %	1 %	
- class Ib	(RBER)	0,18 %	0,12 %	0,23 %	0,27 %	0,18 %	
O-TCH/WFS-INB	(FER)	0.5 %	0.5 %	0.5 %	0.5 %	0.5 %	
O-TCH/WFS	(EVSIDUR)	1 %	1 %	1 %	1 %	1 %	
O-TCH/WFS	(EVRFR)	1 %	1 %	1 %	1 %	1 %	
O-TCH/WHS12.65	(FER)	1 %	1 %	1 %	1 %	1 %	
- class Ib	(RBER)	0,30 %	0,38 %	0,30 %	0,40 %	0,30 %	
O-TCH/WHS8.85	(FER)	1 %	1 %	1 %	1 %	1 %	
- class Ib	(RBER)	0,10 %	0,11 %	0,10 %	0,13 %	0,10 %	
O-TCH/WHS6.60	(FER)	1 %	1 %	1 %	1 %	1 %	
- class Ib	(RBER)	0,15 %	0,15 %	0,13 %	0,19 %	0,15 %	
O-TCH/WHS-INB	(FER)	0.5 %	0.5 %	0.5 %	0.5 %	0.5 %	
O-TCH/WHS	(EVSIDUR)	1 %	1 %	1 %	1 %	1 %	
O-TCH/WHS	(EVRFR)	1 %	1 %	1 %	1 %	1 %	
TCH/HS	(FER)	1 %	-	-	-	-	VAMOS mode with 0 dB SCPIR
- class Ib	(RBER)	0.21%	-	-	-	-	
- class II	(RBER)	5.48%	-	-	-	-	
TCH/EFS	(FER)	1 %	-	-	-	-	
- class Ib	(RBER)	0.04%	-	-	-	-	
- class II	(RBER)	3.52%	-	-	-	-	
TCH/AFS 12.2	(FER)	1 %	-	-	-	-	
- class Ib	(RBER)	0.45%	-	-	-	-	
TCH/AFS 4.75	(FER)	1 %	-	-	-	-	
- class Ib	(RBER)	0.14%	-	-	-	-	
TCH/AHS 7.4	(FER)	1 %	-	-	-	-	
- class Ib	(RBER)	0.16%	-	-	-	-	
- class II	(RBER)	1.54%	-	-	-	-	
TCH/AHS 4.75	(FER)	1 %	-	-	-	-	
- class Ib	(RBER)	0.18%	-	-	-	-	
- class II	(RBER)	6.30%	-	-	-	-	
TCH/WFS 12.65	(FER)	1 %	-	-	-	-	
- class Ib	(RBER)	0.4%	-	-	-	-	
TCH/WFS 6.60	(FER)	1 %	-	-	-	-	
- class Ib	(RBER)	0.2%	-	-	-	-	
FACCH/F	(FER)	5 %	-	-	-	-	
FACCH/H	(FER)	5 %	-	-	-	-	
SACCH	(FER)	5 %	-	-	-	-	
Repeated SACCH	(FER)	5 %	-	-	-	-	
TCH/HS	(FER)	1 %	-	-	-	-	VAMOS

Table 7.4-4		GSM 400, GSM 700, GSM 850, GSM900 and MXM 850					
Channel Type	Error Measure	Error Ratios for the specified propagation conditions					Comments
		TU50 (no SFH)	TU50 (ideal SFH)	RA250 (no SFH)	HT100 (no SFH)	TI5 (no SFH)	
- class Ib	(RBER)	0.16%	-	-	-	-	mode with -10 dB SCPIR
- class II	(RBER)	5.00%	-	-	-	-	
TCH/EFS	(FER)	1 %	-	-	-	-	
- class Ib	(RBER)	0.04%	-	-	-	-	
- class II	(RBER)	3.60%	-	-	-	-	
TCH/AFS 12.2	(FER)	1 %	-	-	-	-	
- class Ib	(RBER)	0.52%	-	-	-	-	
TCH/AHS 7.4	(FER)	1 %	-	-	-	-	
- class Ib	(RBER)	0.18%	-	-	-	-	
- class II	(RBER)	2.1%	-	-	-	-	
TCH/WFS 12.65	(FER)	1 %	-	-	-	-	
- class Ib	(RBER)	0.40%	-	-	-	-	

NOTE 1: For GSM 400 the speeds shall be doubled (e.g. TU50 shall be TU100) and for GSM 700 the speeds shall be multiplied by 1,2 (e.g. tU50 shall be TU60).

NOTE 2: The performance requirements for TCH/WFS inband signalling, SID_UPDATE and RATSCCH are the same as those given for TCH/AFS. It is sufficient to test inband signalling, SID_UPDATE and RATSCCH requirements for only one of the channel types TCH/AFS and TCH/WFS.

NOTE 3: No requirement apply for wanted signal narrow.

Table 7.4-5: Multipath error performance limits at RX sensitivity level

Table 7.4-5		DCS1800, PCS 1900 and MXM 1900					
Channel Type	Error Measure	Error Ratios for the specified propagation conditions					Comments
		TU50 (no SFH)	TU50 (ideal SFH)	RA130 (no SFH)	HT100 (no SFH)	TI5 (no SFH)	
FACCH/H	(FER)	7.2 %	7.2 %	5.7 %	10.4 %	6.9 %	
FACCH/F	(FER)	3.9 %	3.9 %	3.4 %	7.4 %	8.0 %	
E-FACCH/F	(FER)	5 %	5 %	5 %	5 %	5 %	
SDCCH and SACCH	(FER)	9.0 %	9.0 %	8.0 %	13.0 %	13 %	
RACH	(FER)	13 %	13 %	12 %	13 %	13 %	
E-TCH/F43,2 NT	(BLER)	10 %	10 %	10 %	10 %	10 %	
E-TCH/F32,0 T	(BER)	0.1 %	0.1 %	0.1 %	0.1 %	0.1 %	
E-TCH/F28,8 T	(BER)	0.1 %	0.1 %	0.1 %	0.1 %	0.1 %	
E-TCH/F28,8 NT	(BLER)	10 %	10 %	10 %	10 %	10 %	
TCH/F14.4	(BER)	2.1%	2.0%	2.0%	6.5%	2.5%	
TCH/F9.6	(BER)	0.40 %	0.40 %	0.10 %	0.70 %	0.50 %	
TCH/F4.8	(BER)	10 ⁻⁴	10 ⁻⁴	10 ⁻⁴	10 ⁻⁴	10 ⁻⁴	
TCH/F2.4	(BER)	10 ⁻⁵	10 ⁻⁵	10 ⁻⁵	10 ⁻⁵	2 10 ⁻⁴	
TCH/H4.8	(BER)	0.40 %	0.40 %	0.10 %	0.70 %	0.50 %	
TCH/H2.4	(BER)	10 ⁻⁴	10 ⁻⁴	10 ⁻⁴	10 ⁻⁴	10 ⁻⁴	
TCH/FS	(FER)	3.0 α %	3.0 α %	2.0 α %	7.0 α %	6.0 α %	
- class Ib	(RBER)	0.30/ α %	0.30/ α %	0.20/ α %	0.50/ α %	0.40/ α %	
- class II	(RBER)	8.0 %	8.0 %	7.0 %	9.0 %	8.0 %	
TCH/HS	(FER)	4.2 %	4.2 %	4.1 %	5.0 %	4.1 %	
- class Ib	(RBER, BFI=0)	0.38 %	0.38 %	0.28 %	0.63 %	0.36 %	
- class II	(RBER, BFI=0)	6.9 %	6.9 %	6.8 %	7.8 %	6.9 %	
-	(UFR)	5.7 %	5.7 %	5.0 %	8.1 %	5.6 %	
- class Ib	(RBER, UFI=0)	0.26 %	0.26 %	0.21 %	0.35 %	0.24 %	
-	(EVSIDR)	7.0 %	7.0 %	6.0 %	9.9 %	6.8 %	
-	(RBER, SID=2 and BFI=0)	0.01 %	0.01 %	0.01 %	0.02 %	0.01 %	
-	(ESIDR)	3.0 %	3.0 %	3.2 %	3.9 %	3.0 %	
-	(RBER, SID=1 or 2)	0.33 %	0.33 %	0.21 %	0.45 %	0.3 %	
TCH/EFS	(FER)	4 %	4 %	3 %	7%	8 %	
- class Ib	(RBER)	0.12 %	0.12 %	0.10 %	0.24 %	0.21 %	
- class II	(RBER)	8 %	8 %	7 %	9 %	7 %	
TCH/AFS12.2	(FER)	2 %	2,0 %	1,3 %	4,6 %	4,9 %	
- class Ib	(RBER)	1,4 %	1,4 %	1,2 %	2,1 %	1,5 %	
TCH/AFS10.2	(FER)	0,65 %	0,65 %	0,41 %	1,6 %	2,1 %	
- class Ib	(RBER)	0,12 %	0,12 %	0,084 %	0,26 %	0,23 %	
TCH/AFS7.95	(FER)	0,025 %	0,025 %	0,018 %	0,089 %	0,36 %	
- class Ib	(RBER)	0,023 %	0,023 %	0,016 %	0,061 %	0,11 %	
TCH/AFS7.4	(FER)	0,036 %	0,036 %	0,023 %	0,13 %	0,41 %	
- class Ib	(RBER)	0,013 %	0,013 %	0,007 %	0,031 %	0,054 %	
TCH/AFS6.7	(FER)	0,01 %	0,01 %	0,01 %	0,031 %	0,16 %	
- class Ib	(RBER)	0,017 %	0,017 %	0,01 %	0,041 %	0,082 %	
TCH/AFS5.9	(FER)	0,01 %	0,01 %	0,01 %	0,01 %	0,094 %	
- class Ib	(RBER)	0,001 %	0,001 %	0,001 %	0,002 %	0,014 %	
TCH/AFS5.15	(FER)	0,01 %	0,01 %	-	0,01 %	0,07 %	
- class Ib	(RBER)	0,001 %	0,001 %	0,001 %	0,003 %	0,014 %	
TCH/AFS4.75	(FER)	0,01 %	-	-	0,01 %	0,029 %	
- class Ib	(RBER)	0,001 %	0,001 %	0,001 %	0,001 %	0,005 %	
TCH/AFS-INB	(FER)	0,011 %	0,011 %	0,006 %	0,021 %	0,034 %	
TCH/AFS	(EVSIDUR)	0,19 %	0,19 %	0,17 %	0,25 %	0,82 %	
TCH/AFS	(EVRFR)	0,007 %	0,007 %	0,002 %	0,01 %	0,095 %	
TCH/AHS7.95	(FER)	20 %	20 %	17 %	27 %	20 %	

Table 7.4-5		DCS1800, PCS 1900 and MXM 1900					
Channel Type	Error Measure	Error Ratios for the specified propagation conditions					Comments
		TU50 (no SFH)	TU50 (ideal SFH)	RA130 (no SFH)	HT100 (no SFH)	TI5 (no SFH)	
- class Ib	(RBER)	2,3 %	2,3 %	2 %	2,9 %	2,3 %	
- class II	(RBER)	5 %	5 %	4,8 %	5,7 %	5 %	
TCH/AHS7.4	(FER)	16 %	16 %	13 %	22 %	16 %	
- class Ib	(RBER)	1,4 %	1,4 %	1,1 %	1,9 %	1,4 %	
- class II	(RBER)	5,3 %	5,3 %	5,1 %	6,1 %	5,3 %	
TCH/AHS6.7	(FER)	9,4 %	9,4 %	7,5 %	13 %	9,2 %	
- class Ib	(RBER)	1,1 %	1,1 %	0,92 %	1,5 %	1,1 %	
- class II	(RBER)	5,8 %	5,8 %	5,5 %	6,6 %	5,8 %	
TCH/AHS5.9	(FER)	5,9 %	5,9 %	4,6 %	8,5 %	5,7 %	
- class Ib	(RBER)	0,52 %	0,52 %	0,39 %	0,72 %	0,51 %	
- class II	(RBER)	6,1 %	6,1 %	5,8 %	6,8 %	6 %	
TCH/AHS5.15	(FER)	2,6 %	2,6 %	2 %	3,7 %	2,5 %	
- class Ib	(RBER)	0,53 %	0,53 %	0,4 %	0,76 %	0,51 %	
- class II	(RBER)	6,3 %	6,3 %	6,1 %	7,2 %	6,3 %	
TCH/AHS4.75	(FER)	1,2 %	1,2 %	1,1 %	1,7 %	1,2 %	
- class Ib	(RBER)	0,18 %	0,18 %	0,13 %	0,25 %	0,17 %	
- class II	(RBER)	6,5 %	6,5 %	6,2 %	7,3 %	6,4 %	
TCH/AHS-INB	(FER)	0,64 %	0,64 %	0,53 %	0,94 %	0,72 %	
TCH/AHS	(EVSIDUR)	1,3 %	1,3 %	2,1 %	1,5 %	1,5 %	
TCH/AHS	(EVRFR)	0,24 %	0,24 %	0,25 %	0,24 %	0,25 %	
PDTCH/CS-1 to 4	(BLER)	10%	10%	10%	10%	10%	
PDTCH/MCS-1 to 6	(BLER)	10%	10%	10%	10%	10%	
PDTCH/MCS-7	(BLER)	10 %	10 %	30 %	-	10 %	
PDTCH/MCS-8	(BLER)	30 %	30 %	-	-	30 %	
PDTCH/MCS-9	(BLER)	30 %	30 %	-	-	30 %	
PDTCH/UAS-7	(BLER)	10 %	10 %	10 %	10 %	10 %	
PDTCH/UAS-8 to 9	(BLER)	10%	10%	10%	30%	10%	
PDTCH/UAS-10	(BLER)	10%	10%	30%	-	10%	
PDTCH/UAS-11	(BLER)	30%	30%	-	-	30%	
PDTCH/UBS-5 to 12	(BLER)	10% ²⁾	10%	10% ²⁾	10% ²⁾	10% ²⁾	
PDTCH/UBS-8	(BLER)	10% ²⁾	10%	10% ²⁾	10% ³⁾	10% ²⁾	
PDTCH/UBS-9	(BLER)	10% ²⁾	10%	10% ²⁾	10% ³⁾	10% ²⁾	
PDTCH/UBS-10	(BLER)	10% ²⁾	10%	10% ²⁾	30% ²⁾	10% ²⁾	
PDTCH/UBS-11	(BLER)	10% ²⁾	10%	30% ²⁾	-	10% ²⁾	
PDTCH/UBS-12	(BLER)	10% ²⁾	10%	30% ²⁾	-	10% ²⁾	
PRACH/11 bit	(BLER)	15%	15%	15%	15%	15 %	
PRACH/8 bit	(BLER)	15%	15%	15%	15%	15 %	
PACCH	(BLER)	10%	10%	10%	10%	10 %	
TCH/WFS12.65	(FER)	1%	1%	1%	1%	1%	
	(RBER)	0,62 %	0,62 %	0,72 %	0,66 %	0,35 %	
TCH/ WFS8.85	(FER)	1%	1%	1%	1%	1%	
	(RBER)	0,59 %	0,59 %	0,72 %	0,58 %	0,38 %	
TCH/ WFS6.60	(FER)	1%	1%	1%	1%	1%	
	(RBER)	0,17 %	0,17 %	0,19 %	0,25 %	0,15 %	
O-FACCH/F	(FER)	5 %	5 %	5 %	5 %	5 %	
O-FACCH/H	(FER)	5 %	5 %	5 %	5 %	5 %	
O-TCH/AHS12.2	(FER)	1 %	1 %	1 %	1 %	1 %	
- class Ib	(RBER)	0,30 %	0,30 %	1 %	0,42 %	0,30 %	
O-TCH/AHS10.2	(FER)	1 %	1 %	0,29 %	1 %	1 %	
- class Ib	(RBER)	0,17 %	0,17 %	1 %	0,20 %	0,15 %	
O-TCH/AHS7.95	(FER)	1 %	1 %	0,13 %	1 %	1 %	
- class Ib	(RBER)	0,08 %	0,08 %	1 %	0,08 %	0,08 %	
O-TCH/AHS7.4	(FER)	1 %	1 %	0,05 %	1 %	1 %	
- class Ib	(RBER)	0,15 %	0,15 %	1 %	0,17 %	0,15 %	
O-TCH/AHS6.7	(FER)	1 %	1 %	0,12 %	1 %	1 %	
- class Ib	(RBER)	0,16 %	0,16 %	1 %	0,19 %	0,14 %	
O-TCH/AHS5.9	(FER)	1 %	1 %	0,12 %	1 %	1 %	
- class Ib	(RBER)	0,22 %	0,22 %	1 %	0,24 %	0,20 %	

Table 7.4-5		DCS1800, PCS 1900 and MXM 1900					
Channel Type	Error Measure	Error Ratios for the specified propagation conditions					Comments
		TU50 (no SFH)	TU50 (ideal SFH)	RA130 (no SFH)	HT100 (no SFH)	TI5 (no SFH)	
O-TCH/AHS5.15	(FER)	1 %	1 %	0,15 %	1 %	1 %	
- class Ib	(RBER)	0,11 %	0,11 %	1 %	0,12 %	0,10 %	
O-TCH/AHS4.75	(FER)	1 %	1 %	0,07 %	1 %	1 %	
- class Ib	(RBER)	0,15 %	0,15 %	1 %	0,17 %	0,15 %	
O-TCH/AHS-INB	(FER)	0.5 %	0.5 %	0.5 %	0.5 %	0.5 %	
O-TCH/AHS	(EVSIDUR)	1 %	1 %	1 %	1 %	1 %	
O-TCH/AHS	(EVRFR)	1 %	1 %	1 %	1 %	1 %	
O-TCH/WFS23.85	(FER)	1 %	1 %	1 %	1 %	1 %	
- class Ib	(RBER)	0,17 %	0,17 %	0,24 %	0,26 %	0,16 %	
O-TCH/WFS15.85	(FER)	1 %	1 %	1 %	1 %	1 %	
- class Ib	(RBER)	0,50 %	0,50 %	0,64 %	0,60 %	0,44 %	
O-TCH/WFS12.65	(FER)	1 %	1 %	1 %	1 %	1 %	
- class Ib	(RBER)	0,45 %	0,45 %	0,51 %	0,63 %	0,37 %	
O-TCH/WFS8.85	(FER)	1 %	1 %	1 %	1 %	1 %	
- class Ib	(RBER)	0,38 %	0,38 %	0,42 %	0,57 %	0,31 %	
O-TCH/WFS6.60	(FER)	1 %	1 %	1 %	1 %	1 %	
- class Ib	(RBER)	0,20 %	0,20 %	0,23 %	0,30 %	0,18 %	
O-TCH/WFS-INB	(FER)	0.5 %	0.5 %	0.5 %	0.5 %	0.5 %	
O-TCH/WFS	(EVSIDUR)	1 %	1 %	1 %	1 %	1 %	
O-TCH/WFS	(EVRFR)	1 %	1 %	1 %	1 %	1 %	
O-TCH/WHS12.65	(FER)	1 %	1 %	1 %	1 %	1 %	
- class Ib	(RBER)	0,34 %	0,34 %	0,30 %	0,44 %	0,30 %	
O-TCH/WHS8.85	(FER)	1 %	1 %	1 %	1 %	1 %	
- class Ib	(RBER)	0,12 %	0,12 %	0,10 %	0,15 %	0,10 %	
O-TCH/WHS6.60	(FER)	1 %	1 %	1 %	1 %	1 %	
- class Ib	(RBER)	0,16 %	0,16 %	0,13 %	0,19 %	0,15 %	
O-TCH/WHS-INB	(FER)	0.5 %	0.5 %	0.5 %	0.5 %	0.5 %	
O-TCH/WHS	(EVSIDUR)	1 %	1 %	1 %	1 %	1 %	
O-TCH/WHS	(EVRFR)	1 %	1 %	1 %	1 %	1 %	
TCH/HS	(FER)	1 %	-	-	-	-	VAMOS mode with 0 dB SCPIR
- class Ib	(RBER)	0.19%	-	-	-	-	
- class II	(RBER)	5.10%	-	-	-	-	
TCH/EFS	(FER)	1 %	-	-	-	-	
- class Ib	(RBER)	0.04%	-	-	-	-	
- class II	(RBER)	3.95%	-	-	-	-	
TCH/AFS 12.2	(FER)	1 %	-	-	-	-	
- class Ib	(RBER)	0.60%	-	-	-	-	
TCH/AFS 4.75	(FER)	1 %	-	-	-	-	
- class Ib	(RBER)	0.17%	-	-	-	-	
TCH/AHS 7.4	(FER)	1 %	-	-	-	-	
- class Ib	(RBER)	0.16%	-	-	-	-	
- class II	(RBER)	1.55%	-	-	-	-	
TCH/AHS 4.75	(FER)	1 %	-	-	-	-	
- class Ib	(RBER)	0.18%	-	-	-	-	
- class II	(RBER)	6.59%	-	-	-	-	
TCH/WFS 12.65	(FER)	1 %	-	-	-	-	
- class Ib	(RBER)	0.41%	-	-	-	-	
TCH/WFS 6.60	(FER)	1 %	-	-	-	-	
- class Ib	(RBER)	0.21%	-	-	-	-	
FACCH/F	(FER)	5 %	-	-	-	-	
FACCH/H	(FER)	5 %	-	-	-	-	
SACCH	(FER)	5 %	-	-	-	-	
Repeated SACCH	(FER)	5 %	-	-	-	-	
TCH/HS	(FER)	1 %	-	-	-	-	VAMOS mode with -10 dB SCPIR
- class Ib	(RBER)	0.15%	-	-	-	-	
- class II	(RBER)	5.00%	-	-	-	-	
TCH/EFS	(FER)	1 %	-	-	-	-	
- class Ib	(RBER)	0.04%	-	-	-	-	

Table 7.4-5		DCS1800, PCS 1900 and MXM 1900					
Channel Type	Error Measure	Error Ratios for the specified propagation conditions					Comments
		TU50 (no SFH)	TU50 (ideal SFH)	RA130 (no SFH)	HT100 (no SFH)	TI5 (no SFH)	
- class II	(RBER)	4.20%	-	-	-	-	
TCH/AFS 12.2	(FER)	1 %	-	-	-	-	
- class Ib	(RBER)	0.67%	-	-	-	-	
TCH/AHS 7.4	(FER)	1 %	-	-	-	-	
- class Ib	(RBER)	0.29%	-	-	-	-	
- class II	(RBER)	2.12%	-	-	-	-	
TCH/WFS 12.65	(FER)	1 %	-	-	-	-	
- class Ib	(RBER)	0.48%	-	-	-	-	

NOTE 1: The performance requirements for TCH/WFS inband signalling, SID_UPDATE and RATSCCH are the same as those given for TCH/AFS. It is sufficient to test inband signalling, SID_UPDATE and RATSCCH requirements for only one of the channel types TCH/AFS and TCH/WFS.

NOTE 2: No requirement apply for wanted signal narrow.

NOTE 3: 30% BLER requirement apply for wanted signal narrow.

The value of α in tables 7.4-4 and 7.4-5 shall be between 1 and 1.6, and shall be the same for both occurrences in each propagation condition; it may be different for different propagation conditions.

NOTE: For each TU50 (ideal FH), sufficient decorrelation may be achieved with 4 frequencies spaced over 5 MHz.

7.4.5 Requirement Reference

3GPP TS 45.005 subclause 6.2.

7.5 Reference interference level

7.5.1 Test Purpose

The reference interference level is a measure of the capability of the receiver to receive a wanted modulated signal without exceeding a given degradation due to the presence of an unwanted modulated signal at the same carrier frequency (co-channel interference) or at any adjacent carrier frequencies (adjacent channel interference).

7.5.2 Test Case

If Slow Frequency Hopping (SFH) is supported by the BSS, it shall be disabled during this measurement, except when performing tests using propagation conditions with ideal SFH.

When SFH is used in the test, the BSS shall hop over the maximum range and number of ARFCNs possible for the test environment and which are available in the BSS configuration. If SFH is not supported, the test shall be performed on the specified number of ARFCNs. As a minimum, one time slot shall be tested on one TRX.

The tests shall be performed in a single-antenna configuration except in case of packet-switched channels with higher symbol rate and channels in VAMOS mode where two-antenna configuration with no correlation or gain difference between the branches is used.

Two input signals shall be connected to the respective receiver connector via a combining network. When testing each signal shall be connected through a Multipath Fading Simulator (MFS) as described in annex B.1, except in the cases of frequency offsets of the interfering signal from the wanted signal of 400kHz or greater, where the interferer shall be static, unless otherwise stated in table 7.5-2 and 7.5-3. The multipath fading propagation conditions shall be uncorrelated. In the case of channels in VAMOS mode, two input wanted signals and two input interfering signals shall be connected to each receiver antenna connector via a Multipath Fading Simulator such that the multipath fading propagation conditions between all the input signals and all the receiver antennas are uncorrelated. The frequency offsets and the relative levels of the interfering signals are defined in table 7.5-1a for test scenarios VUTS-1, VUTS-2, VUTS-3 and VUTS-4. The wanted signals VAMOS sub-channel 1 and VAMOS sub-channel 2 shall be GMSK modulated and encoded according to the channel type in table 7.5-5a. The interfering signals shall be GMSK

modulated with a pseudo random bitstream without midamble. Independent pseudo random bit streams shall be assumed between all input signals.

Table 7.5-1a: Test scenarios for reference interference level for channels in VAMOS mode.

Test Scenario	Interfering Signal	Interferer power level*	TSC	Interferer Delay range
VUTS-1	Co-channel 1 Co-channel 2	- 0 dB	none none	no delay no delay
VUTS-2	Adjacent channel 1** Adjacent channel 2**	- 0 dB	none none	no delay no delay
VUTS-3	Co-channel 1*** Co-channel 2***	- 0 dB	none none	74 symbols 74 symbols
VUTS-4	Co-channel 1 Adjacent channel 1	- 3 dB	none none	no delay no delay
NOTE 1: *Power level relative to Co-channel 1 (VUTS-1, VUTS-3 and VUTS-4) or Adjacent channel 1 (VUTS-2).				
NOTE 2: **Both interferers are on the same adjacent channel frequency.				
NOTE 3: ***In calculating I1 (see table 7.5-5a), the power of the delayed interferer shall be measured over the active part of the burst of VAMOS sub-channel 2. No signal shall be applied in the timeslots adjacent to the delayed interferers.				

The referred power level for both signals shall be the average power into the BSS RX antenna connector. This shall be measured by taking the mean powers of the sum of the individual paths.

For GMSK modulated circuit switched channels except AMR-WB and channels in VAMOS mode, the wanted signal shall have the power level as defined in table 7.5-1. It shall have normal GSM modulation. In the case of a pico-BTS, the power level defined in table 7.5-1 (*) shall be 4dB greater for measurements performed with interferer offsets of 400kHz or greater.

For packet switched channels, ECSD and for AMR-WB, and for 8-PSK modulated AMR and AMR-WB channels, the wanted signal level shall be $(X-9\text{dB}+I_r)$, where "X" is the power level defined in table 7.5-1 and "I_r" is the co-channel interference ratio defined in table 7.5-4. As an exception, the wanted signal level shall be $(X+9\text{dB}+I_{ar})$ for packet-switched channels with QPSK, 16-QAM and 32-QAM modulation in the case of 200 kHz adjacent channel interference, where "X" is the power level defined in table 7.5-1 and 'I_{ar}' the interference ratio in table 7.5-5.

For channels in VAMOS mode, VAMOS sub-channel 2 shall be at input level $(X-9\text{dB}+I_r)$ for test scenarios VUTS-1, VUTS-3 and VUTS-4 and input level $(X+9\text{dB}+I_r)$ for test scenario VUTS-2, where "X" is the power level defined in table 7.5-1 and "I_r" is the carrier-to-interference ratio in table 7.5-5a. VAMOS sub-channel 1 shall be at an input level relative to VAMOS sub-channel 2 according to SCPIR_UL (see clause 3.1) in table 7.5-5a.

Table 7.5-1: Test signal average input level for Reference Interference Level measurements

BTS Type	Test signal average input level to receiver
GSM 400/GSM850/GSM900/DCS1800/PCS 1900/MXM 850/MXM 1900/GSM700 BTS	-84 dBm
GSM900/GSM850/MXM 850/GSM700 micro-BTS M1	-77 dBm
GSM900/GSM850/MXM 850/GSM700 micro-BTS M2	-72 dBm
GSM900/GSM850/MXM 850/GSM700 micro-BTS M3	-67 dBm
GSM900/GSM850/MXM 850/GSM700 pico-BTS P1	-68 dBm *
DCS1800/PCS 1900/ MXM 1900 micro-BTS M1	-82 dBm
DCS1800/PCS 1900/ MXM 1900 micro-BTS M2	-77 dBm
DCS1800/PCS 1900/ MXM 1900 micro-BTS M3	-72 dBm
DCS1800/PCS 1900/ MXM 1900 pico-BTS P1	-75 dBm *

The interfering signal shall be continuous and have GSM modulation of a pseudo-random bitstream without midamble. If the TRX supports 8-PSK, 16-QAM or 32-QAM at normal symbol rate it shall be tested with the interfering signal having GMSK modulation and with the interfering signal having 8-PSK modulation, unless it can be demonstrated that it is sufficient to test either with GMSK or 8-PSK modulated interfering signal.

If the wanted signal has higher symbol rate, the TRX shall be tested for adjacent (200 kHz) channel interference performance with an interfering signal at higher symbol rate, using the same modulation and pulse shaping filter as the wanted signal, while co-channel interference performance and adjacent (400 kHz) channel interference performance shall be tested with the interfering signal having GMSK modulation and with the interfering signal having 8-PSK modulation.

If the TRX does not support 8-PSK it shall be tested with the interfering signal having GMSK modulation. For SFH this interferer shall consist of either one signal which hops in synchronization with the time slot under test or a number of fixed frequency signal sources. In the latter case the number of interfering sources determines the number of frequencies over which the time slot under test can hop in the test environment irrespective of the upper limit of the BTS.

For packet-switched channels only BTTI without PAN need to be tested.

When testing 16-QAM, 32-QAM (both normal and higher symbol rate) and QPSK modulated channels TSC-6 shall be used for the wanted signal.

For GMSK modulated circuit switched channels except AMR-WB and channels in VAMOS mode, the test shall be performed with frequency offsets of the interfering signal from the wanted signal, for a relative level of interfering signal above the wanted signal as specified in table 7.5-2. In some cases a second requirement is specified, where the interference ratio in table 7.5-2 shall be increased or decreased by 3 dB. In these cases the Error measures are noted as FER@+3dB or FER@-3dB respectively.

For packet switched channels, ECSD and AMR-WB, and 8-PSK modulated AMR and AMR-WB channels except channels in VAMOS mode, the test shall be performed with frequency offsets of the interfering signal from the wanted signal, for a carrier to interferer ratio, relative to the co-channel interference ratio (C/I_c), as specified in table 7.5-3. The minimum co-channel interference ratio (C/I_c) for all the combinations of logical channel type and propagation condition are as specified in table 7.5-4.

For channels in VAMOS mode, the test shall be performed for the test scenarios in table 7.5-1 with a carrier to interferer ratio in table 7.5-5a. The minimum carrier to interference ratios are as specified in table 7.5-5a.

In the case of Slow Frequency Hopping (SFH) the interfering signal shall be on the same ARFCN as the wanted signal over the useful part of the time slot burst. For offsets greater than 0 kHz only the multipath propagation condition TU50 (no SFH) need be tested for normal and micro-BTS systems, and only the multipath propagation condition TI5 (no SFH) need be tested for pico-BTS systems.

Table 7.5-2: Co-channel and adjacent channel interference rejections for circuit switched channels except ECSD and AMR-WB channels, and 8-PSK modulated AMR and AMR-WB channels

Interferers offset:	Carrier to Interferer Ratio:		Fading of interferer
	Normal and Micro-BTS	Pico-BTS	
0 kHz	9 dB	13 dB	yes
200 kHz	-9 dB	-5 dB	yes
400 kHz	-41 dB	-37dB	no

Table 7.5-3: Co-channel and adjacent channel interference ratios for packet switched channels, for ECSD and for AMR-WB channels, and for 8-PSK modulated AMR and AMR-WB channels

Modulation of wanted signal	GMSK	8-PSK	16-QAM and 32-QAM with normal symbol rate	QPSK, 16-QAM and 32-QAM with higher symbol rate	
Interferers offset:	Carrier to Interferer Ratio	Carrier to Interferer Ratio	Carrier to Interferer Ratio	Carrier to Interferer Ratio	Fading of interferer
0 kHz	C/I_c (table 7.5-4)	C/I_c (table 7.5-4)	C/I_c (table 7.5-4)	C/I_c (table 7.5-4)	yes
200 kHz	$C/I_c - 18$ dB	Table 7.5-5	Table 7.5-5	Table 7.5-5	yes
400 kHz	$C/I_c - 50$ dB	$C/I_c - 50$ dB	$C/I_c - 48$ dB	$C/I_c - 44.5$ dB (QPSK) $C/I_c - 43$ dB (16QAM) $C/I_c - 42.5$ dB (32QAM)	yes

For QPSK, 16-QAM and 32-QAM modulated channels with higher symbol rate, the wanted signal shall be generated with wide pulse shaping filter when testing for co-channel and adjacent (400 kHz) channel performance. For tests of adjacent (200 kHz) channel performance the input signals shall be generated with pulse shaping filters according to table 7.5-5.

For channels in VAMOS mode, a time and frequency offset shall be applied to VAMOS sub-channel 1 relative to VAMOS sub-channel 2. The offsets shall be applied burst-wise and taken from a sample sequence that conforms to the

probability distribution in Eq 7.5.2a for the time offset and Eq 7.5.2b for the frequency offset, where σ and μ are given in the table below:

Frequency Band	850/900	1800	1900
μ	45 Hz	90 Hz	95 Hz
σ	10 Hz	17 Hz	17 Hz

$$p(\text{Time offset}) = \begin{cases} 0.25, & \text{for Time offset} = -1 \text{ Normal Symbol Periods} \\ 0.5, & \text{for Time offset} = 0 \text{ Normal Symbol Periods} \\ 0.25, & \text{for Time offset} = 1 \text{ Normal Symbol Periods} \\ 0, & \text{else} \end{cases} \quad (\text{Eq 7.5.2a})$$

$$p(\text{Frequency offset}) = \frac{1}{\sigma\sqrt{2\pi}} e^{-\frac{(\text{Frequency offset} - \mu)^2}{2\sigma^2}} \quad (\text{Eq 7.5.2b})$$

NOTE: The precise sample sequence for each offset has been left for test equipment manufacturers to specify.

Table 7.5-4: Co-channel interference ratios (C/I_c) for packet switched channels, for ECSD and for AMR-WB channels, and for 8-PSK modulated AMR and AMR-WB channels

Table 7.5-4 Channel Type	GSM 400, GSM 700, GSM900, GSM 850 and MXM 850***					
	Unit	Carrier to Interferer Ratios for specified propagation conditions				
		TU3 (no SFH)	TU50 (no SFH)	TU50 (ideal SFH)	RA250 (no SFH)	TI5 (no SFH)
PDTCH/CS-1	dB	13	10	9	9	14
PDTCH/CS-2	dB	15	14	13	13	18
PDTCH/CS-3	dB	16	16	15	16	20
PDTCH/CS-4	dB	21	24	24	*	27
PDTCH/MCS-1	dB	13	10.5	9.5	10	14.5
PDTCH/MCS-2	dB	15	12.5	12	12	16.5
PDTCH/MCS-3	dB	16.5	17	17	19	21
PDTCH/MCS-4	dB	19	22	22	*	26
PDTCH/MCS-5	dB	18	15.5	14.5	16	19.5
PDTCH/MCS-6	dB	20	18	17.5	21	22
PDTCH/MCS-7	dB	23.5	24	24.5	26.5**	28
PDTCH/MCS-8	dB	28.5	30	30	*	34
PDTCH/MCS-9	dB	30	33	35	*	37
PDTCH/UAS-7	dB	27	23.5	22.5	22	27.5
PDTCH/UAS-8	dB	28	25	24.5	25.5	29
PDTCH/UAS-9	dB	28.5	27	26.5	33	31
PDTCH/UAS-10	dB	29.5	29.5	29.5	34.5**	33.5
PDTCH/UAS-11	dB	30.5	33	33	*	37
PDTCH/UBS-5	dB	-4.5	-4.5	-6.0	-1.5	-0.5
PDTCH/UBS-6	dB	-2.0	-3.0	-3.5	1.5	1.0
PDTCH/UBS-7	dB	2.5	1.5	1.0	5.5	5.5
PDTCH/UBS-8	dB	4.5	4.0	3.5	9.5	8.0
PDTCH/UBS-9	dB	5.5	5.5	5.0	13.0	9.5
PDTCH/UBS-10	dB	11.0	12.5	12.0	26.0	16.5
PDTCH/UBS-11	dB	13.5	16.5	17.0	35.0	20.5
PDTCH/UBS-12	dB	15.0	19.5	19.5	28.0**	23.5
E-TCH/F43,2 NT	dB	24	19.5	19	21.5	23.5
E-TCH/F32,0 T	dB	25.5	17	15.5	15.5	21
E-TCH/F28,8 T	dB	27	17.5	15.5	16	21.5
E-TCH/F28,8 NT	dB	20	14.5	13.5	13.5	18.5
E-FACCH/F	dB	17.5	12.5	11.5	11.5	16.5
PACCH	dB	13	10	9	9	14
PRACH/11 bits	dB	8	8	8	10	12
PRACH/8 bits	dB	8	8	8	9	12
TCH/WFS12.65	dB	21,5	14,5	13	12,5	18,5
TCH/ WFS8.85	dB	20	11,5	10	9	15,5
TCH/ WFS6.60	dB	19	10,5	9	8	14,5
O-FACCH/F	dB	15,5	10	8	9	14
O-FACCH/H	dB	15,5	10	9	9,5	14
O-TCH/AHS12.2	dB	22,5	16,5	15,5	17	20,5
O-TCH/AHS10.2	dB	21,5	15,5	14,5	15,5	19,5
O-TCH/AHS7.95	dB	20,5	14,5	13,5	14,5	18,5
O-TCH/AHS7.4	dB	20	14	12,5	13,5	18
O-TCH/AHS6.7	dB	19,5	13,5	12	13	17,5
O-TCH/AHS5.9	dB	19	13	12	12,5	17
O-TCH/AHS5.15	dB	18,5	12,5	11	12	16,5
O-TCH/AHS4.75	dB	18	12	10,5	11,5	16

Table 7.5-4	GSM 400, GSM 700, GSM900, GSM 850 and MXM 850***					
O-TCH/AHS-INB (FER)	dB	16,5	10,5	10,5	12,5	14,5
O-TCH/AHS (EVSIDUR)	dB	16	10,5	9,5	10,5	14,5
O-TCH/AHS (EVRFR)	dB	16	10,5	9,5	11	14,5
O-TCH/WFS23.85	dB	22,5	16	13,5	13,5	20
O-TCH/WFS15.85	dB	20	13,5	11	10,5	17,5
O-TCH/WFS12.65	dB	18,5	11,5	9,5	9,5	15,5
O-TCH/WFS8.85	dB	17	10,5	7,5	7,5	14,5
O-TCH/WFS6.60	dB	16	9,5	7	6,5	13,5
O-TCH/WFS-INB (FER)	dB	14,5	7	6	6	11
O-TCH/WFS (EVSIDUR)	dB	17,5	11,5	9,5	9,5	15,5
O-TCH/WFS (EVRFR)	dB	16,5	10	7,5	7,5	14
O-TCH/WHS12.65	dB	22,5	17	15,5	17	21
O-TCH/WHS8.85	dB	21	15	14	15	19
O-TCH/WHS6.60	dB	19,5	13,5	12	13	17,5
O-TCH/WHS-INB (FER)	dB	16,5	10,5	10,5	12,5	14,5
O-TCH/WHS (EVSIDUR)	dB	16	10,5	9,5	10,5	14,5
O-TCH/WHS (EVRFR)	dB	16	10,5	9,5	11	14,5

Table 7.5-4		DCS1800, PCS 1900 and MXM1900***				
Channel Type	Unit	Carrier to Interferer Ratios for specified propagation conditions				
		TU1.5 (no SFH)	TU50 (no SFH)	TU50 (ideal SFH)	RA130 (no SFH)	T15 (no SFH)
PDTCH/CS-1	dB	13	9	9	9	14
PDTCH/CS-2	dB	15	13	13	13	18
PDTCH/CS-3	dB	16	16	16	16	20
PDTCH/CS-4	dB	21	27	27	*	27
PDTCH/MCS-1	dB	13	10	9.5	10	14.5
PDTCH/MCS-2	dB	15	12	12	12	16.5
PDTCH/MCS-3	dB	16.5	17	18	19	21
PDTCH/MCS-4	dB	19	23	23	*	26
PDTCH/MCS-5	dB	18	15	15	16	19.5
PDTCH/MCS-6	dB	20	17.5	18	21	22
PDTCH/MCS-7	dB	23.5	26	26.5	27**	28
PDTCH/MCS-8	dB	28.5	25**	24.5**	*	34
PDTCH/MCS-9	dB	30	29**	29**	*	37
PDTCH/UAS-7	dB	27	23	23	22	27.5
PDTCH/UAS-8	dB	28	25	25	25.5	29
PDTCH/UAS-9	dB	28.5	26	26	33	31
PDTCH/UAS-10	dB	29.5	26.5**	26.5**	34.5**	33.5
PDTCH/UAS-11	dB	30.5	29.5**	29.5**	*	37
PDTCH/UBS-5	dB	-4.5	-4.5	-4.5	-1.5	-0.5
PDTCH/UBS-6	dB	-2.0	-2.5	-2.5	1.5	1.0
PDTCH/UBS-7	dB	2.5	2.5	2.5	5.5	5.5
PDTCH/UBS-8	dB	4.5	5.0	5.0	9.5	8.0
PDTCH/UBS-9	dB	5.5	6.5	6.5	13.0	9.5
PDTCH/UBS-10	dB	11.0	14.5	14.5	26.0	16.5
PDTCH/UBS-11	dB	13.5	22.5	22.5	35.0	20.5
PDTCH/UBS-12	dB	15.0	28.5	28.5	28.0**	23.5
E-TCH/F43,2 NT	dB	24	19.5	19.5	22	23.5
E-TCH/F32,0 T	dB	25.5	16	15.5	15.5	21
E-TCH/F28,8 T	dB	27	16	16	17	21.5
E-TCH/F28,8 NT	dB	20	14	14	14.5	18.5
E-FACCH/F	dB	17.5	11.5	11.5	11.5	16.5
PACCH	dB	13	9	9	9	14
PRACH/11 bits	dB	9	9	9	10	12
PRACH/8 bits	dB	8	8	8	9	12
TCH/WFS12.65	dB	21,5	13	13	12,5	18,5
TCH/ WFS8.85	dB	20	10	10	9	15,5
TCH/ WFS6.60	dB	19	9	9	8	14,5
O-FACCH/F	dB	15,5	9	9	9	14
O-FACCH/H	dB	15,5	9,5	9,5	9,5	14
O-TCH/AHS12.2	dB	22,5	16,5	16,5	17	20,5
O-TCH/AHS10.2	dB	21,5	15,5	15,5	15,5	19,5
O-TCH/AHS7.95	dB	20,5	14,5	14,5	14,5	18,5
O-TCH/AHS7.4	dB	20	14	14	13,5	18
O-TCH/AHS6.7	dB	19,5	13	13	13	17,5
O-TCH/AHS5.9	dB	19	12,5	12,5	12,5	17
O-TCH/AHS5.15	dB	18,5	12	12	12	16,5
O-TCH/AHS4.75	dB	18	11,5	11,5	11,5	16
O-TCH/AHS-INB (FER)	dB	16,5	11	11	12,5	14,5

Table 7.5-4	DCS1800, PCS 1900 and MXM1900***					
O-TCH/AHS (EVSIDUR)	dB	16	10,5	10,5	10,5	14,5
O-TCH/AHS (EVRFR)	dB	16	10,5	10,5	11	14,5
O-TCH/WFS23.85	dB	22,5	14,5	14,5	13,5	20
O-TCH/WFS15.85	dB	20	12	12	10,5	17,5
O-TCH/WFS12.65	dB	18,5	10,5	10,5	9,5	15,5
O-TCH/WFS8.85	dB	17	9	9	7,5	14,5
O-TCH/WFS6.60	dB	16	8	8	6,5	13,5
O-TCH/WFS-INB (FER)	dB	14,5	6,5	6,5	6	11
O-TCH/WFS (EVSIDUR)	dB	17,5	11	11	9,5	15,5
O-TCH/WFS (EVRFR)	dB	16,5	9	9	7,5	14
O-TCH/WHS12.65	dB	22,5	16,5	16,5	17	21
O-TCH/WHS8.85	dB	21	14,5	14,5	15	19
O-TCH/WHS6.60	dB	19,5	13	13	13	17,5
O-TCH/WHS-INB (FER)	dB	16,5	11	11	12,5	14,5
O-TCH/WHS (EVSIDUR)	dB	16	10,5	10,5	10,5	14,5
O-TCH/WHS (EVRFR)	dB	16	10,5	10,5	11	14,5

NOTE 1: PDTCH/CS-4, MCS-x and UAS-x shall not be tested for the propagation conditions marked as (*).

NOTE 2: For GSM 400 the speeds shall be doubled (e.g. TU50 shall be TU100) and for GSM 700 the speeds shall be multiplied by 1,2 (e.g. TU50 shall be TU60).

NOTE 3: Performance is specified at 30% BLER for those cases marked as (**).

***NOTE 4: PDTCH/CS-1 to 4 and ECSD are not applicable for MXM850 and MXM1900.

NOTE 5: PDTCH/UBS-5 to 12 requirements assume two-antenna configuration. The wanted signal shall use higher symbol rate and be generated with wide pulse shaping filter. The interfering signal shall use GMSK and 8-PSK modulation.

Table 7.5-5 adjacent channel interference ratios (C/I_a) for EGPRS, EGPRS2, ECSD and 8-PSK modulated AMR and AMR-WB channels

Table 7.5-5 Channel Type	GSM 400, GSM 700, GSM900, GSM850 and MXM 850***						
	Unit	Carrier to Interferer Ratios for specified propagation conditions					Comment
		TU3 (no SFH)	TU50 (no SFH)	TU50 (ideal SFH)	RA250 (no SFH)	TI5 (no SFH)	
PDTCH/MCS-5	dB	2.5	-2	-2	1	2	
PDTCH/MCS-6	dB	4.5	1	1	6.5	5	
PDTCH/MCS-7	dB	8	8.5	8.5	13.5**	12.5	
PDTCH/MCS-8	dB	10.5	9**	9.5**	*	13**	
PDTCH/MCS-9	dB	12	13.5**	13.5**	*	17.5**	
PDTCH/UAS-7	dB	13	9.5	8	10.5	13.5	
PDTCH/UAS-8	dB	14.5	11	10	15	15	
PDTCH/UAS-9	dB	15.5	13.5	12.5	22.5	17.5	
PDTCH/UAS-10	dB	17.5	17	17	25**	21	
PDTCH/UAS-11	dB	19	23.5	24	-	27.5	
PDTCH/UBS-5	dB	-17.5	-16.5	-17.0	-9.0	-12.5	Input signals generated with wide pulse-shaping filter (Note 5)
PDTCH/UBS-6	dB	-15.0	-14.0	-14.5	-5.5	-10.0	
PDTCH/UBS-7	dB	-11.5	-9.5	-9.5	-2.5	-5.5	
PDTCH/UBS-8	dB	-8.0	-6.0	-6.0	1.5	-2.0	
PDTCH/UBS-9	dB	-6.0	-3.5	-4.0	4.0	0.5	
PDTCH/UBS-10	dB	0.0	1.0	1.0	12.5	5.0	
PDTCH/UBS-11	dB	5.5	9.0	9.0	25.0	13.0	
PDTCH/UBS-12	dB	8.0	13.5	12.5	16.5**	17.5	
PDTCH/UBS-5	dB	-14.5	-14.0	-14.0	-2.5	-10.0	Input signals generated with narrow pulse-shaping filter (Note 5)
PDTCH/UBS-6	dB	-12.0	-11.0	-11.5	1.5	-7.0	
PDTCH/UBS-7	dB	-1.5	-2.5	-3.0	7.0	1.5	
PDTCH/UBS-8	dB	1.0	0.5	0.5	11.0	4.5	
PDTCH/UBS-9	dB	2.5	2.0	2.0	12.5	6.0	
PDTCH/UBS-10	dB	7.0	9.0	9.0	18.0	13.0	
PDTCH/UBS-11	dB	8.5	13.0	13.5	18.5**	17.0	
PDTCH/UBS-12	dB	9.0	14.5	15.0	22.5**	18.5	
E-TCH/F43,2 NT	dB	8	3.5	2.5	12	7.5	
E-TCH/F32,0 T	dB	7.5	-2.5	-4	-4	1.5	
E-TCH/F28,8 T	dB	10	0.5	-1	2.5	4.5	
E-TCH/F28,8NT	dB	3.5	-1.5	-2.5	-0.5	2.5	
O-FACCH/F	dB	0	-7.5	-8	-8.5	-3.5	
O-FACCH/H	dB	0.5	-5.5	-6.5	-6	-1.5	
O-TCH/AHS12.2	dB	5	-1	-2	-0.5	3	
O-TCH/AHS10.2	dB	4.5	-2	-3	-2	2	
O-TCH/AHS7.95	dB	3	-3	-4	-3.5	1	
O-TCH/AHS7.4	dB	2.5	-4	-5	-4.5	0	
O-TCH/AHS6.7	dB	2	-4.5	-6	-5.5	-0.5	
O-TCH/AHS5.9	dB	1.5	-5.5	-6.5	-6.5	-1.5	
O-TCH/AHS5.15	dB	1	-6	-7	-7	-3	
O-TCH/AHS4.75	dB	0.5	-7	-7.5	-7.5	-4	
O-TCH/AHS-INB (FER)	dB	-1	-7	-7	-6.5	-3	
O-TCH/AHS (EVSIDUR)	dB	-1.5	-8	-8	-7.5	-4	
O-TCH/AHS (EVRFR)	dB	-1	-8	-8.5	-7.5	-4	
O-TCH/WFS23.85	dB	5	-2	-4	-4	2	
O-TCH/WFS15.85	dB	2	-5	-7	-7	-1	

Table 7.5-5		GSM 400, GSM 700, GSM900, GSM850 and MXM 850***					
Channel Type	Unit	Carrier to Interferer Ratios for specified propagation conditions					Comment
		TU3 (no SFH)	TU50 (no SFH)	TU50 (ideal SFH)	RA250 (no SFH)	TI5 (no SFH)	
O-TCH/WFS12.65	dB	0,5	-7	-9	-9	-3	
O-TCH/WFS8.85	dB	-0,5	-9	-11	-10,5	-5	
O-TCH/WFS6.60	dB	-1,5	-10	-12	-11,5	-6	
O-TCH/WFS-INB (FER)	dB	-4	-11,5	-13	-13	-7,5	
O-TCH/WFS (EVSIDUR)	dB	-0,5	-7	-8,5	-8	-3	
O-TCH/WFS (EVRFR)	dB	-1	-9,5	-11	-10,5	-5,5	
O-TCH/WHS12.65	dB	5	-1	-2	0	3	
O-TCH/WHS8.85	dB	3	-3	-3,5	-3	1	
O-TCH/WHS6.60	dB	2	-5	-6	-5,5	-1	
O-TCH/WHS-INB (FER)	dB	-1	-7	-7	-6,5	-3	
O-TCH/WHS (EVSIDUR)	dB	-1,5	-8	-8	-7,5	-4	
O-TCH/WHS (EVRFR)	dB	-1	-8	-8,5	-7,5	-4	

Table 7.5-5		DCS1800, PCS 1900 and MXM1900***						
Channel Type	Unit	Carrier to Interferer Ratios for specified propagation conditions					Comment	
		TU1.5 (no SFH)	TU50 (no SFH)	TU50 (ideal SFH)	RA130 (no SFH)	TI5 (no SFH)		
PDTCH/MCS-5	dB	2.5	-2	-1.5	1	2		
PDTCH/MCS-6	dB	4.5	1.5	1.5	6.5	5		
PDTCH/MCS-7	dB	8	10.5	11	13.5**	12.5		
PDTCH/MCS-8	dB	10.5	10**	9.5**	*	13**		
PDTCH/MCS-9	dB	12	16**	16**	*	17.5**		
PDTCH/UAS-7	dB	13	9.5	9.5	10.5	13.5		
PDTCH/UAS-8	dB	14.5	12	12	15	15		
PDTCH/UAS-9	dB	15.5	15.5	15.5	22.5	17.5		
PDTCH/UAS-10	dB	17.5	24.5	24.5	25**	21		
PDTCH/UAS-11	dB	19	20.5**	20.5**	-	27.5		
PDTCH/UBS-5	dB	-17.5	-13.0	-13.0	-9.0	-12.5	Input signals generated with wide pulse-shaping filter (Note 5)	
PDTCH/UBS-6	dB	-15.0	-10.0	-10.0	-5.5	-10.0		
PDTCH/UBS-7	dB	-11.5	-5.5	-5.5	-2.5	-5.5		
PDTCH/UBS-8	dB	-8.0	-2.0	-2.0	1.5	-2.0		
PDTCH/UBS-9	dB	-6.0	1.5	1.5	4.0	0.5		
PDTCH/UBS-10	dB	0.0	5.0	5.0	12.5	5.0		
PDTCH/UBS-11	dB	5.5	14.5	14.5	25.0	13.5		
PDTCH/UBS-12	dB	8.0	20.0	20.0	16.5**	17.5		
PDTCH/UBS-5	dB	-14.5	-10.0	-10.0	-2.5	-10.0		Input signals generated with narrow pulse-shaping filter (Note 5)
PDTCH/UBS-6	dB	-12.0	-6.5	-6.5	1.5	-7.5		
PDTCH/UBS-7	dB	-1.5	2.0	2.0	7.0	1.5		
PDTCH/UBS-8	dB	1.0	5.0	5.0	11.0	4.5		
PDTCH/UBS-9	dB	2.5	7.0	7.0	12.5	6.0		
PDTCH/UBS-10	dB	7.0	14.0	14.0	18.0	13.0		
PDTCH/UBS-11	dB	8.5	12.5**	12.5**	18.5**	17.0		
PDTCH/UBS-12	dB	9.0	14.0**	14.0**	22.5**	18.5		
E-TCH/F43,2 NT	dB	8	4	3.5	14	7.5		
E-TCH/F32,0 T	dB	7	-3.5	-3.5	-4	1.5		
E-TCH/F28,8 T	dB	10	-0.5	-0.5	5	4.5		
E-TCH/F28,8NT	dB	3.5	-2	-2	0.5	2.5		
O-FACCH/F	dB	0	-6,5	0	-8,5	-3,5		
O-FACCH/H	dB	0,5	-5,5	0,5	-6	-1,5		
O-TCH/AHS12.2	dB	5	-1	5	-0,5	3		
O-TCH/AHS10.2	dB	4,5	-2	4,5	-2	2		
O-TCH/AHS7.95	dB	3	-3	3	-3,5	1		
O-TCH/AHS7.4	dB	2,5	-4	2,5	-4,5	0		
O-TCH/AHS6.7	dB	2	-5	2	-5,5	-0,5		
O-TCH/AHS5.9	dB	1,5	-5,5	1,5	-6,5	-1,5		
O-TCH/AHS5.15	dB	1	-6,5	1	-7	-3		
O-TCH/AHS4.75	dB	0,5	-7	0,5	-7,5	-4		
O-TCH/AHS-INB (FER)	dB	-1	-6,5	-1	-6,5	-3		
O-TCH/AHS (EVSIDUR)	dB	-1,5	-7,5	-1,5	-7,5	-4		
O-TCH/AHS (EVRFR)	dB	-1	-8	-1	-7,5	-4		
O-TCH/WFS23.85	dB	5	-2,5	5	-4	2		
O-TCH/WFS15.85	dB	2	-5,5	2	-7	-1		
O-TCH/WFS12.65	dB	0,5	-7,5	0,5	-9	-3		

Table 7.5-5		DCS1800, PCS 1900 and MXM1900***					
Channel Type	Unit	Carrier to Interferer Ratios for specified propagation conditions					Comment
		TU1.5 (no SFH)	TU50 (no SFH)	TU50 (ideal SFH)	RA130 (no SFH)	TI5 (no SFH)	
O-TCH/WFS8.85	dB	-0,5	-10	-0,5	-10,5	-5	
O-TCH/WFS6.60	dB	-1,5	-11,5	-1,5	-11,5	-6	
O-TCH/WFS-INB (FER)	dB	-4	-11	-4	-13	-7,5	
O-TCH/WFS (EVSIDUR)	dB	-0,5	-8	-0,5	-8	-3	
O-TCH/WFS (EVRFR)	dB	-1	-10,5	-1	-10,5	-5,5	
O-TCH/WHS12.65	dB	5	-1	5	0	3	
O-TCH/WHS8.85	dB	3	-3	3	-3	1	
O-TCH/WHS6.60	dB	2	-5	2	-5,5	-1	
O-TCH/WHS-INB (FER)	dB	-1	-6,5	-1	-6,5	-3	
O-TCH/WHS (EVSIDUR)	dB	-1,5	-7,5	-1,5	-7,5	-4	
O-TCH/WHS (EVRFR)	dB	-1	-8	-1	-7,5	-4	

NOTE 1: PDTCH/MCS-x and UAS-x shall not be tested for the propagation conditions marked as (*).

NOTE 2: For GSM 400 the speeds shall be doubled (e.g. TU50 shall be TU100) and for GSM 700 the speeds shall be multiplied by 1,2 (e.g. TU50 shall be TU60).

NOTE 3: Performance is specified at 30% BLER for those cases marked as (**).

***NOTE 4: ECSD is not applicable for MXM850 and MXM1900.

NOTE 5: PDTCH/UBS-5 to 12 requirements assume two-antenna configuration. The Interfering signal shall use higher symbol rate and be generated with the same modulation and pulse shaping filter as the wanted signal.

Table 7.5-5a: carrier to interference ratios for channels in VAMOS mode.

Table 7.5-5a		GSM 400, GSM 700, GSM900, GSM 850 and MXM 850				
Channel Type	Unit	SCPIR_UL (dB)	Carrier to Interferer Ratios (C/I1) for test scenarios for propagation condition TU50 (no SFH)			
			VUTS-1	VUTS-2	VUTS-3	VUTS-4
TCH/HS	dB	0	11	-6.5	11.5	7
TCH/EFS	dB	0	13.5	-3.5	14	10
TCH/AFS 12.2	dB	0	13	-4.5	13.5	9.5
TCH/AFS 4.75	dB	0	7	-12.5	6	3.5
TCH/AHS 7.4	dB	0	15	-1	16.5	12
TCH/AHS 4.75	dB	0	10.5	-7.5	10.5	7.5
TCH/WFS 12.65	dB	0	13	-4	14	9.5
TCH/WFS 6.60	dB	0	9	-11	8.5	4.5
FACCH/F	dB	0	10	-8.5	11	6.5
FACCH/H	dB	0	10.5	-8.5	10.5	6
SACCH	dB	0	10	-7.5	11	6.5
Repeated SACCH	dB	0	6	-14.5	5	2.5
TCH/HS	dB	-10	11.5	-8	11	6
TCH/EFS	dB	-10	12.5	-7	13	7
TCH/AFS 12.2	dB	-10	12	-7.5	12.5	6.5
TCH/AHS 7.4	dB	-10	14.5	-3	15	10.5
TCH/WFS 12.65	dB	-10	12	-6.5	12.5	7

Table 7.5-5a		DCS1800, PCS 1900 and MXM1900				
Channel Type	Unit	SCPIR_UL (dB)	Carrier to Interferer Ratios (C/I1) for test scenarios for propagation condition TU50 (no SFH)			
			VUTS-1	VUTS-2	VUTS-3	VUTS-4
TCH/HS	dB	0	11	-5.5	11.5	7.5
TCH/EFS	dB	0	13.5	-3.5	14.5	10.5
TCH/AFS 12.2	dB	0	13	-4.5	14	10
TCH/AFS 4.75	dB	0	6	-14	5.5	1
TCH/AHS 7.4	dB	0	15.5	-1	17	12.5
TCH/AHS 4.75	dB	0	11.5	-7.5	10	8.5
TCH/WFS 12.65	dB	0	13.5	-4	14	10.5
TCH/WFS 6.60	dB	0	8.5	-11	8.5	4
FACCH/F	dB	0	10	-8.5	10.5	6.5
FACCH/H	dB	0	10.5	-8	10.5	6.5
SACCH	dB	0	12	-7	10.5	8.5
Repeated SACCH	dB	0	6	-15	5	2.5
TCH/HS	dB	-10	12	-6.5	12	7
TCH/EFS	dB	-10	13.5	-5	14	9
TCH/AFS 12.2	dB	-10	13.5	-6	14	8
TCH/AHS 7.4	dB	-10	17	0.5	17.5	14
TCH/WFS 12.65	dB	-10	13.5	-5	14	9

NOTE 1: I1 corresponds to the power of Co-channel 1 (VUTS-1, VUTS-3 and VUTS-4) or Adjacent channel 1 (VUTS-2)

NOTE 2: For GSM 400 the speeds shall be doubled (e.g. TU50 shall be TU100) and for GSM 700 the speeds shall be multiplied by 1,2 (e.g. TU50 shall be TU60)

All TRXs in the BSS configuration shall be on and transmitting full power in all time slots.

The input signal before channel encoding in the BSSTE shall be compared with the signal which is obtained from the BSS receiver after channel decoding.

7.5.3 Essential conformance

Test Environment:

Normal.

Normal and Micro-BTS Conformance Requirement

1) Co-channel:

The error performance shall be measured for TCH/FS channel (FER, class Ib and class II), for TU50 propagation condition. If synthesizer SFH is supported by the BSS, this shall be enabled, with the range of hopping frequencies centred around RF channel M. If synthesizer SFH is not supported, this shall be tested on one ARFCN channel.

With SFH disabled, the error performance for each of the following logical channel types supported by the BSS shall be measured, each on one ARFCN, for the specified propagation conditions (for GSM 400 applicable speeds are multiplied by 2 and for GSM 700 by 1,2):

TCH/FS:	TU1.5 or TU3
FACCH/F:	TU1.5 or TU3
FACCH/H:	TU1.5 or TU3
E-FACCH/F:	TU1.5 or TU3
SDCCH:	TU1.5 or TU3
TCH/F9.6:	TU1.5 or TU3, TU50
TCH/F4.8:	TU1.5 or TU3, TU50
PDTCH/CS-1:	TU1.5 or TU3, TU50
PDTCH/MCS-1 or, if not supported, for the PDTCH/MCS-x with the next higher supported number x:	TU1.5 or TU3, TU50
PDTCH/MCS-5 or, if not supported, PDTCH/MCS-x with the next higher supported number x:	TU1.5 or TU3, TU50
E-TCH/43,2 NT or for the highest supported data speed:	TU1.5 or TU3, TU50
PDTCH/UAS-7 or, if not supported, PDTCH/UAS-x with the next higher supported number x:	TU1.5 or TU3, TU50
PDTCH/UBS-5 or, if not supported, PDTCH/UBS-x with the next higher supported number x:	TU1.5 or TU3, TU50
PDTCH/UBS-7 or, if not supported, PDTCH/UBS-x with the next higher supported number x:	TU1.5 or TU3, TU50
PDTCH/UBS-10 or, if not supported, PDTCH/UBS-x with the next higher supported number x:	TU1.5 or TU3, TU50

If AMR or AMR-WB is supported by the BSS, the error performance given in tables 7.5-6 and 7.5-7 shall be met for one channel under TU50 (no SFH) propagation condition. The channel with the highest bitrate shall be tested.

If 8-PSK modulated AMR or AMR-WB is supported by the BSS, the error performance given in tables 7.5-6 and 7.5-7 shall be met for one traffic channel and corresponding associated control channel O-FACCH under TU50 (no SFH) propagation condition. The traffic channel with the highest bitrate shall be tested.

2) 200 kHz offset:

With SFH disabled, the error performance for each of the following logical channel types supported by the BSS shall be measured, each on one ARFCN, for the specified propagation conditions:

TCH/FS:	TU50
FACCH/F:	TU50

E-TCH/43,2 NT
 or for the highest supported data speed
 or PDTCH/MCS-5 or, if not supported,
 PDTCH/MCS-x with the
 next higher supported number x: TU50

PDTCH/UAS-7 or, if not supported,
 PDTCH/UAS-x with the next higher supported number x TU50

PDTCH/UBS-5 or, if not supported
 PDTCH/UBS-x with the next higher supported number x TU50

PDTCH/UBS-7 or, if not supported
 PDTCH/UBS-x with the next higher supported number x TU50

PDTCH/UBS-10 or, if not supported
 PDTCH/UBS-x with the next higher supported number x TU50

For tests with UBS-x, the Interfering signal shall use higher symbol rate and be generated with the same modulation and pulse shaping filter as the wanted signal.

3) 400 kHz offset:

With SFH disabled, the error performance for each of the following logical channel types supported by the BSS shall be measured, each on RF channels B, M and T, for the specified propagation conditions:

TCH/FS: TU50

E-TCH/43,2 NT
 or for the highest supported data speed
 or PDTCH/MCS-5 or, if not supported,
 PDTCH/MCS-x with the
 next higher supported number x: TU50

PDTCH/UAS-7 or, if not supported,
 PDTCH/UAS-x with the next higher supported number x TU50

PDTCH/UBS-5 or, if not supported
 PDTCH/UBS-x with the next higher supported number x TU50

PDTCH/UBS-7 or, if not supported
 PDTCH/UBS-x with the next higher supported number x TU50

PDTCH/UBS-10 or, if not supported
 PDTCH/UBS-x with the next higher supported number x TU50

With SFH disabled, the error performance for each of the following logical channel types supported by the BSS shall be measured, each on one ARFCN, for the specified propagation profiles:

FACCH/F: TU50

In cases 1) and 2) above, the error performance given in tables 7.5-6 and 7.5-7 shall be met for all combinations of logical channel type, frequency of wanted signal, 0kHz and 200kHz frequency offset of interfering signal and multipath propagation condition tested. For 8-PSK modulated AMR and AMR-WB channels 200 kHz offset table 7.5-8 applies.

In case 3) above, the error performance given in tables 7.5-6 and 7.5-7 for EGPRS, ECSD and AMR-WB, and 8-PSK modulated AMR and AMR-WB channels and tables 7.5-9 and 7.5-10 for other channels shall be met for all combinations of logical channel type, frequency of wanted signal, 400kHz frequency offset of interfering signal and multipath propagation condition tested.

The value of α in tables 7.5-6, 7.5-7, 7.5-9 and 7.5-10 shall be in the range 1 to 1.6, and shall be the same for both occurrences in each propagation condition; it may be different for different propagation conditions.

4) channels in VAMOS mode:

If VAMOS is supported by the BSS, the error performance given in table 7.5-8a shall be met for one supported traffic channel and its corresponding associated control channels (FACCH and SACCH) on one ARFCN for SCPIR_UL values 0 dB and -10 dB. The supported traffic channel (TCH/HS, TCH/EFS, TCH/AFS_x, TCH/AHS_x or TCH/WFS_x) and codec mode (if applicable) with the highest bitrate for which requirements exist at both SCPIR_UL values shall be tested.

Pico-BTS Conformance Requirement

1) Co-channel:

With SFH disabled, the error performance for each of the following logical channel types supported by the BSS shall be measured, each on one ARFCN, for the TI5 multipath propagation profile (for GSM 400 applicable speeds are multiplied by 2 and for GSM 700 by 1,2):

TCH/FS:	TI5
FACCH/F:	TI5
FACCH/H:	TI5
E-FACCH/F:	TI5
SDCCH:	TI5
TCH/F9.6:	TI5
TCH/F4.8:	TI5
PDTCH/CS-1	TI5
PDTCH/MCS-1 or, if not supported, PDTCH/MCS-x with the next higher supported number x:	TI5
PDTCH/MCS-5 or, if not supported, PDTCH/MCS-x with the next higher supported number x:	TI5
E-TCH/43,2 NT or for the highest supported data speed:	TI5
PDTCH/UAS-7 or, if not supported, PDTCH/UAS-x with the next higher supported number x	TI5
PDTCH/UBS-5 or, if not supported PDTCH/UBS-x with the next higher supported number x	TI5
PDTCH/UBS-7 or, if not supported PDTCH/UBS-x with the next higher supported number x	TI5
PDTCH/UBS-10 or, if not supported PDTCH/UBS-x with the next higher supported number x	TI5

If AMR or AMR-WB is supported by the BSS, the error performance given in tables 7.5-6 and 7.5-7 shall be met for one channel under TI5 propagation condition. The channel with the highest bitrate shall be tested.

If 8-PSK modulated AMR or AMR-WB is supported by the BSS, the error performance given in tables 7.5-6 and 7.5-7 shall be met for one traffic channel and corresponding associated control channel O-FACCH under TI5 propagation condition. The traffic channel with the highest bitrate shall be tested.

2) 200 kHz offset:

With SFH disabled, the error performance for each of the following logical channel types supported by the BSS shall be measured, each on one ARFCN, for the TI5 multipath propagation profile:

TCH/FS:	TI5
FACCH/F:	TI5
E-TCH/43,2 NT or for the highest supported data speed or PDTCH/MCS-5 or, if not supported, PDTCH/MCS-x with the next higher supported number x:	TI5
PDTCH/UAS-7 or, if not supported, PDTCH/UAS-x with the next higher supported number x	TI5
PDTCH/UBS-5 or, if not supported PDTCH/UBS-x with the next higher supported number x	TI5
PDTCH/UBS-7 or, if not supported PDTCH/UBS-x with the next higher supported number x	TI5
PDTCH/UBS-10 or, if not supported PDTCH/UBS-x with the next higher supported number x	TI5

3) 400 kHz offset:

With SFH disabled, the error performance for each of the following logical channel types supported by the BSS shall be measured, each on one ARFCN, for the TI5 multipath propagation profile:

TCH/FS:	TI5
FACCH/F:	TI5
E-TCH/43,2 NT or for the highest supported data speed or PDTCH/MCS-5 or, if not supported, PDTCH/MCS-x with the next higher supported number x:	TI5
PDTCH/UAS-7 or, if not supported, PDTCH/UAS-x with the next higher supported number x	TI5
PDTCH/UBS-5 or, if not supported PDTCH/UBS-x with the next higher supported number x	TI5
PDTCH/UBS-7 or, if not supported PDTCH/UBS-x with the next higher supported number x	TI5
PDTCH/UBS-10 or, if not supported PDTCH/UBS-x with the next higher supported number x	TI5

In cases 1) and 2) above, the error performance given in tables 7.5-6 and 7.5-7 shall be met for all combinations of logical channel type, frequency of wanted signal, 0kHz and 200kHz frequency offset of interfering signal and TI5 multipath propagation condition tested. For 8-PSK modulated AMR and AMR-WB channels 200 kHz offset table 7.5-8 applies.

In case 3) above, the error performance given in tables 7.5-6 and 7.5-7 for EGPRS, ECSD and AMR-WB channels and tables 7.5-9 and 7.5-10 for other channels shall be met for all combinations of logical channel type, frequency of wanted signal, 400kHz frequency offset of interfering signal and multipath propagation condition tested.

The value of α in tables 7.5-6, 7.5-7, 7.5-9 and 7.5-10 shall be in the range 1 to 1.6, and shall be the same for both occurrences in the TI5 propagation condition.

VAMOS mode is not applicable to pico BTS.

7.5.4 Complete conformance

Test Environment:

Normal.

Normal and Micro-BTS Conformance Requirement

The error performance of any logical channel type supported by the BSS for any multipath propagation condition (excluding TI5) given in tables 7.5-6, 7.5-7, 7.5-9 and 7.5-10 shall not be worse than the error ratios given in tables 7.5-6, 7.5-7, 7.5-9 and 7.5-10 with the exception that for EGPRS, EGPRS2, ECSD and AMR-WB, and 8-PSK modulated AMR and AMR-WB channels the requirements in tables 7.5-6 and 7.5-7 apply. For 8-PSK modulated AMR and AMR-WB channels 200 kHz offset table 7.5-8 applies. For the circuit switched control channels not listed in tables 7.5-6, 7.5-7, 7.5-9 and 7.5-10 the requirements for the SDCCH shall apply. The requirements for propagation conditions with ideal SFH shall only apply if SFH is supported by the BSS. For channels in VAMOS mode, table 7.5-8a applies.

For the propagation conditions with ideal SFH, the tests shall be performed with the range of hopping frequencies centred around RF channel M. For propagation conditions with no SFH, the tests shall be performed at the RF channels B, M, and T.

The value of α in tables 7.5-6, 7.5-7, 7.5-9 and 7.5-10 shall be in the range 1 to 1.6, and shall be the same for both occurrences in each propagation condition; it may be different for different propagation conditions.

NOTE 1: For TU50 (ideal FH), sufficient decorrelation may be achieved with 4 frequencies spaced over 5 MHz.

Pico-BTS Conformance Requirement

The error performance of any logical channel type for the TI5 multipath propagation condition shall not be worse than the error ratios given in tables 7.5-6, 7.5-7, 7.5-9 and 7.5-10. The tests shall be performed with SFH disabled, at the RF channels B, M, and T. The value of α in tables 7.5-6, 7.5-7, 7.5-9 and 7.5-10 shall be in the range 1 to 1.6, and shall be the same for both occurrences in the TI5 propagation condition.

Table 7.5-6: Multipath error performance limits at RX interference level

Table 7.5-6 Channel Type	GSM 400, GSM 700, GSM900, GSM 850 and MXM 850					
	Error Measure	Error Ratios for the specified propagation conditions				
		TU3 (no SFH)	TU50 (no SFH)	TU50 (ideal SFH)	RA250 (no SFH)	TI5 (no SFH)
FACCH/H	(FER)	22 %	6.7 %	6.7 %	5.7 %	6.7 %
FACCH/F	(FER)	22 %	9.5 %	3.4 %	3.5 %	9.5 %
E-FACCH/F	(FER)	5 %	5 %	5 %	5 %	5 %
SDCCH & SACCH	(FER)	22 % ⁽¹⁾	13 %	9 %	8.0 %	13 %
SACCH (TCH/AxS)	(FER @-3 dB)	40 % ⁽¹⁾	-	-	-	-
RACH	(FER)	15 %	16 %	16 %	13 %	16 %
E-TCH/F43,2 NT	(BLER)	10 %	10 %	10 %	10 %	10 %
E-TCH/F32,0 T	(BER)	0.1 %	0.1 %	0.1 %	0.1 %	0.1 %
E-TCH/F28,8 T	(BER)	0.1 %	0.1 %	0.1 %	0.1 %	0.1 %
E-TCH/F28,8 NT	(BLER)	10 %	10 %	10 %	10 %	10 %
TCH/F14.4	(BER)	10.0%	4.5%	3.0%	3.0%	4.5 %
TCH/F9.6	(BER)	8.0 %	0.80 %	0.30 %	0.2 %	0.80 %
TCH/F4.8	(BER)	3.0 %	10 ⁻⁴	10 ⁻⁴	10 ⁻⁴	10 ⁻⁴
TCH/F2.4	(BER)	3.0 %	10 ⁻⁴	10 ⁻⁵	10 ⁻⁵	10 ⁻⁴
TCH/H4.8	(BER)	8.0 %	0.80 %	0.30 %	0.20 %	0.80 %
TCH/H2.4	(BER)	4.0 %	2 10 ⁻⁴	10 ⁻⁴	10 ⁻⁴	2 10 ⁻⁴
TCH/FS	(FER)	21 α %	6.0 α %	3.0 α %	3.0 α %	6.0 α %
- class Ib	(RBER)	2.0/ α %	0.40/ α %	0.20/ α %	0.20/ α %	0.40/ α %
- class II	(RBER)	4.0 %	8.0 %	8.0 %	8.0 %	8.0 %
TCH/HS	(FER)	19.1 %	5.0 %	5.0 %	4.7 %	5.0 %
- class Ib	(RBER, BFI=0)	0.52 %	0.29 %	0.29 %	0.21 %	0.29 %
- class II	(RBER, BFI=0)	2.8 %	7.1 %	7.1 %	7.0 %	7.1 %
-	(UFR)	20.7 %	6.1 %	6.1 %	5.6 %	6.1 %
- class Ib	(RBER, UFI=0)	0.29 %	0.21 %	0.21 %	0.17 %	0.21 %
-	(EVSIDR)	21.9 %	7.0 %	7.0 %	6.3 %	7.0 %
-	(RBER, SID=2 and BFI=0)	0.02 %	0.01 %	0.01 %	0.01 %	0.01 %
-	(ESIDR)	17.1 %	3.6 %	3.6 %	3.4 %	3.6 %
-	(RBER, SID=1 or 2)	0.50 %	0.26 %	0.26 %	0.20 %	0.26 %
TCH/EFS	(FER)	23 %	9 %	3 %	4 %	9 %
- class Ib	(RBER)	0.20 %	0.20 %	0.10 %	0.13 %	0.20 %
- class II	(RBER)	3 %	7 %	8 %	8 %	7 %
TCH/AFS12.2	(FER)	22 %	6 %	3,5 %	2,5 %	6 %
- Class Ib	(RBER)	0,9 %	1,7 %	1,7 %	1,5 %	1,7 %
TCH/AFS10.2	(FER)	18 %	2,7 %	1,4 %	0,92 %	2,7 %
- Class Ib	(RBER)	0,53 %	0,3 %	0,21 %	0,16 %	0,3 %
TCH/AFS7.95	(FER)	13 % ⁽¹⁾	0,51 %	0,12 %	0,073 %	0,51 %
- Class Ib	(RBER)	0,66 % ⁽¹⁾	0,15 %	0,065 %	0,044 %	0,15 %
TCH/AFS7.95	(FER@-3dB)	26 % ⁽¹⁾	5,3 %	2,7 %	1,8 %	5,3 %
- Class Ib	(RBER@-3dB)	1,2 % ⁽¹⁾	1 %	0,78 %	0,6 %	1 %
TCH/AFS7.4	(FER)	14 % ⁽¹⁾	0,56 %	0,16 %	0,09 %	0,56 %
- Class Ib	(RBER)	0,43 % ⁽¹⁾	0,072 %	0,032 %	0,018 %	0,072 %
TCH/AFS7.4	(FER@-3dB)	26 % ⁽¹⁾	5,4 %	3,1 %	2 %	5,4 %
- Class Ib	(RBER@-3dB)	0,79 % ⁽¹⁾	0,52 %	0,38 %	0,28 %	0,52 %
TCH/AFS6.7	(FER)	11 % ⁽¹⁾	0,21 %	0,041 %	0,021 %	0,21 %
- Class Ib	(RBER)	0,75 % ⁽¹⁾	0,11 %	0,042 %	0,028 %	0,11 %
TCH/AFS6.7	(FER@-3dB)	23 % ⁽¹⁾	2,9 %	1,2 %	0,75 %	2,9 %
- Class Ib	(RBER@-3dB)	1,4 % ⁽¹⁾	0,86 %	0,6 %	0,44 %	0,86 %
TCH/AFS5.9	(FER)	10 % ⁽¹⁾	0,12 %	0,018 %	0,01 %	0,12 %
- Class Ib	(RBER)	0,38 % ⁽¹⁾	0,022 %	0,005 %	0,003 %	0,022 %
TCH/AFS5.9	(FER@-3dB)	21 % ⁽¹⁾	2 %	0,7 %	0,4 %	2 %
- Class Ib	(RBER@-3dB)	0,74 % ⁽¹⁾	0,23 %	0,12 %	0,079 %	0,23 %

Table 7.5-6		GSM 400, GSM 700, GSM900, GSM 850 and MXM 850				
Channel Type	Error Measure	Error Ratios for the specified propagation conditions				
		TU3 (no SFH)	TU50 (no SFH)	TU50 (ideal SFH)	RA250 (no SFH)	TI5 (no SFH)
TCH/AFS5.15	(FER)	9,2 % ⁽¹⁾	0,081 %	0,011 %	0,01 %	0,081 %
- Class Ib	(RBER)	0,44 % ⁽¹⁾	0,019 %	0,003 %	0,002 %	0,019 %
TCH/AFS5.15	(FER@-3dB)	19 % ⁽¹⁾	1,4 %	0,47 %	0,25 %	1,4 %
- Class Ib	(RBER@-3dB)	0,85 % ⁽¹⁾	0,22 %	0,11 %	0,069 %	0,22 %
TCH/AFS4.75	(FER)	7,9 % ⁽¹⁾	0,036 %	0,01 %	0,01 %	0,036 %
- Class Ib	(RBER)	0,32 % ⁽¹⁾	0,006 %	0,001 %	0,001 %	0,006 %
TCH/AFS4.75	(FER@-3dB)	17 % ⁽¹⁾	0,82 %	0,23 %	0,11 %	0,82 %
- Class Ib	(RBER@-3dB)	0,62 % ⁽¹⁾	0,11 %	0,033 %	0,019 %	0,11 %
TCH/AFS-INB	(FER)	1,5 % ⁽¹⁾	0,025 %	0,018 %	0,009 %	0,025 %
TCH/AFS-INB	(FER@-3dB)	3,5 % ⁽¹⁾	0,22 %	0,16 %	0,1 %	0,22 %
TCH/AFS	(EVSIDUR)	11 % ⁽¹⁾	1,4 % ⁽¹⁾	0,39 % ⁽¹⁾	0,46 % ⁽¹⁾	1,4 % ⁽¹⁾
TCH/AFS	(EVSIDUR@-3dB)	21 % ⁽¹⁾	6,3 % ⁽¹⁾	3,4 % ⁽¹⁾	3,1 % ⁽¹⁾	6,3 % ⁽¹⁾
TCH/AFS	(EVRFR)	10 % ⁽¹⁾	0,15 %	0,024 %	0,01 %	0,15 %
TCH/AFS	(EVRFR@-3dB)	21 % ⁽¹⁾	2,08 %	0,77 %	0,48 %	2,08 %
TCH/AHS7.95	(FER)	27 %	22 %	22 %	21 %	22 %
- Class Ib	(RBER)	0,84 %	2,3 %	2,3 %	2,1 %	2,3 %
- Class II	(RBER)	1,7 %	5,3 %	5,3 %	5 %	5,3 %
TCH/AHS7.95	(FER@+3dB)	14 %	6,7 %	6,7 %	7 %	6,7 %
- Class Ib	(RBER@+3dB)	0,48 %	1 %	1 %	1 %	1 %
- Class II	(RBER@+3dB)	1 %	3,2 %	3,2 %	3,2 %	3,2 %
TCH/AHS7.4	(FER)	25 %	18 %	18 %	17 %	18 %
- Class Ib	(RBER)	0,68 %	1,4 %	1,4 %	1,3 %	1,4 %
- Class II	(RBER)	1,9 %	5,6 %	5,6 %	5,4 %	5,6 %
TCH/AHS7.4	(FER@+3dB)	13 %	4,8 %	4,8 %	5,3 %	4,8 %
- Class Ib	(RBER@+3dB)	0,38 %	0,51 %	0,51 %	0,50 %	0,51 %
- Class II	(RBER@+3dB)	1,2 %	3,3 %	3,3 %	3,4 %	3,3 %
TCH/AHS6.7	(FER)	23 %	11 %	11 %	11 %	11 %
- Class Ib	(RBER)	0,71 %	1,2 %	1,2 %	1,1 %	1,2 %
- Class II	(RBER)	2,3 %	6,2 %	6,2 %	6 %	6,2 %
TCH/AHS6.7	(FER@+3dB)	11 %	2,3 %	2,3 %	2,9 %	2,3 %
- Class Ib	(RBER@+3dB)	0,39 %	0,39 %	0,39 %	0,4 %	0,39 %
- Class II	(RBER@+3dB)	1,4 %	3,6 %	3,6 %	3,6 %	3,6 %
TCH/AHS5.9	(FER)	21 %	7,1 %	7,1 %	7 %	7,1 %
- Class Ib	(RBER)	0,55 %	0,57 %	0,57 %	0,51 %	0,57 %
- Class II	(RBER)	2,6 %	6,5 %	6,5 %	6,3 %	6,5 %
TCH/AHS5.15	(FER)	17 %	3,3 %	3,3 %	3,5 %	3,3 %
- Class Ib	(RBER)	0,8 %	0,6 %	0,6 %	0,57 %	0,6 %
- Class II	(RBER)	3,1 %	6,9 %	6,9 %	6,7 %	6,9 %
TCH/AHS4.75	(FER)	15 %	1,8 %	1,8 %	2,1 %	1,8 %
- Class Ib	(RBER)	0,6 %	0,22 %	0,22 %	0,22 %	0,22 %
- Class II	(RBER)	3,6 %	7 %	7 %	6,9 %	7 %
TCH/AHS-INB	(FER)	2,7 % ⁽¹⁾	0,7 % ⁽¹⁾	0,7 % ⁽¹⁾	0,63 % ⁽¹⁾	0,7 % ⁽¹⁾
TCH/AHS-INB	(FER@-3dB)	6 % ⁽¹⁾	2,2 % ⁽¹⁾	2,2 % ⁽¹⁾	2 % ⁽¹⁾	2,2 % ⁽¹⁾
TCH/AHS	(EVSIDUR)	15 % ⁽¹⁾	2,5 % ⁽¹⁾	2,5 % ⁽¹⁾	3,8 % ⁽¹⁾	2,5 % ⁽¹⁾
TCH/AHS	(EVSIDUR@-3dB)	28 % ⁽¹⁾	15 % ⁽¹⁾	15 % ⁽¹⁾	15 % ⁽¹⁾	15 % ⁽¹⁾
TCH/AHS	(EVRFR)	11 % ⁽¹⁾	0,51 % ⁽¹⁾	0,51 % ⁽¹⁾	0,61 % ⁽¹⁾	0,51 % ⁽¹⁾
TCH/AHS	(EVRFR@-3dB)	22 % ⁽¹⁾	4,4 % ⁽¹⁾	4,4 % ⁽¹⁾	4,1 % ⁽¹⁾	4,4 % ⁽¹⁾
PDTCH/CS-1 to 4	(BLER)	10%	10%	10%	10%	10%
PDTCH/MCS-1 to 6	(BLER)	10%	10%	10%	10%	10%
PDTCH/MCS-7	(BLER)	10 %	10 %	10 %	30 %	10 %
PDTCH/MCS-8	(BLER)	10 %	10%/30 %*	10%/30 %*	-	30 %
PDTCH/MCS-9	(BLER)	10 %	10%/30 %*	10%/30 %*	-	30 %
PDTCH/UAS-7 to 9	(BLER)	10%	10%	10%	10%	10%
PDTCH/UAS-10	(BLER)	10%	10%	10%	30%	10%
PDTCH/UAS-11	(BLER)	10%	10%	10%	-	10%
PDTCH/UBS-5 to 10	(BLER)	10%	10%	10%	10%	10%
PDTCH/UBS-11	(BLER)	10%	10%	10%	10% ⁴⁾	10%
PDTCH/UBS-12	(BLER)	10%	10%	10%	30%	10%
PRACH/11 bit	(BLER)	15%	15%	15%	15%	15%

Table 7.5-6		GSM 400, GSM 700, GSM900, GSM 850 and MXM 850				
Channel Type	Error Measure	Error Ratios for the specified propagation conditions				
		TU3 (no SFH)	TU50 (no SFH)	TU50 (ideal SFH)	RA250 (no SFH)	TI5 (no SFH)
PRACH/8 bit	(BLER)	15%	15%	15%	15%	15 %
PACCH	(BLER)	10%	10%	10%	10%	10 %
TCH/WFS12.65	(FER)	1%	1%	1%	1%	1%
	(RBER)	0,08 %	0,40 %	0,63 %	0,63 %	0,40 %
TCH/ WFS8.85	(FER)	1%	1%	1%	1%	1%
	(RBER)	0,11 %	0,42 %	0,64 %	0,73 %	0,42 %
TCH/ WFS6.60	(FER)	1%	1%	1%	1%	1%
	(RBER)	0,09 %	0,16 %	0,27 %	0,24 %	0,16 %
O-FACCH/F	(FER)	5 %	5 %	5 %	5 %	5 %
O-FACCH/H	(FER)	5 %	5 %	5 %	5 %	5 %
O-TCH/AHS12.2	(FER)	1 %	1 %	1 %	1 %	1 %
- class 1b	(RBER)	0,17 %	0,30 %	0,32 %	0,26 %	0,30 %
O-TCH/AHS10.2	(FER)	1 %	1 %	1 %	1 %	1 %
- class 1b	(RBER)	0,09 %	0,15 %	0,16 %	0,20 %	0,15 %
O-TCH/AHS7.95	(FER)	1 %	1 %	1 %	1 %	1 %
- class 1b	(RBER)	0,06 %	0,06 %	0,07 %	0,10 %	0,06 %
O-TCH/AHS7.4	(FER)	1 %	1 %	1 %	1 %	1 %
- class 1b	(RBER)	0,08 %	0,12 %	0,13 %	0,16 %	0,12 %
O-TCH/AHS6.7	(FER)	1 %	1 %	1 %	1 %	1 %
- class 1b	(RBER)	0,09 %	0,12 %	0,14 %	0,20 %	0,12 %
O-TCH/AHS5.9	(FER)	1 %	1 %	1 %	1 %	1 %
- class 1b	(RBER)	0,11 %	0,16 %	0,18 %	0,17 %	0,16 %
O-TCH/AHS5.15	(FER)	1 %	1 %	1 %	1 %	1 %
- class 1b	(RBER)	0,06 %	0,08 %	0,09 %	0,09 %	0,08 %
O-TCH/AHS4.75	(FER)	1 %	1 %	1 %	1 %	1 %
- class 1b	(RBER)	0,08 %	0,09 %	0,10 %	0,13 %	0,09 %
O-TCH/AHS-INB	(FER)	0.5 %	0.5 %	0.5 %	0.5 %	0.5 %
O-TCH/AHS	(EVSIDUR)	1 %	1 %	1 %	1 %	1 %
O-TCH/AHS	(EVRFR)	1 %	1 %	1 %	1 %	1 %
O-TCH/WFS23.85	(FER)	1 %	1 %	1 %	1 %	1 %
- class 1b	(RBER)	0,10 %	0,15 %	0,23 %	0,28 %	0,15 %
O-TCH/WFS15.85	(FER)	1 %	1 %	1 %	1 %	1 %
- class 1b	(RBER)	0,26 %	0,35 %	0,60 %	0,60 %	0,35 %
O-TCH/WFS12.65	(FER)	1 %	1 %	1 %	1 %	1 %
- class 1b	(RBER)	0,18 %	0,31 %	0,45 %	0,40 %	0,31 %
O-TCH/WFS8.85	(FER)	1 %	1 %	1 %	1 %	1 %
- class 1b	(RBER)	0,16 %	0,22 %	0,40 %	0,42 %	0,22 %
O-TCH/WFS6.60	(FER)	1 %	1 %	1 %	1 %	1 %
- class 1b	(RBER)	0,10 %	0,14 %	0,18 %	0,23 %	0,14 %
O-TCH/WFS-INB	(FER)	0.5 %	0.5 %	0.5 %	0.5 %	0.5 %
O-TCH/WFS	(EVSIDUR)	1 %	1 %	1 %	1 %	1 %
O-TCH/WFS	(EVRFR)	1 %	1 %	1 %	1 %	1 %
O-TCH/WHS12.65	(FER)	1 %	1 %	1 %	1 %	1 %
- class 1b	(RBER)	0,16 %	0,27 %	0,36 %	0,32 %	0,27 %
O-TCH/WHS8.85	(FER)	1 %	1 %	1 %	1 %	1 %
- class 1b	(RBER)	0,07 %	0,11 %	0,11 %	0,11 %	0,11 %
O-TCH/WHS6.60	(FER)	1 %	1 %	1 %	1 %	1 %
- class 1b	(RBER)	0,09 %	0,12 %	0,13 %	0,14 %	0,12 %
O-TCH/WHS-INB	(FER)	0.5 %	0.5 %	0.5 %	0.5 %	0.5 %
O-TCH/WHS	(EVSIDUR)	1 %	1 %	1 %	1 %	1 %
O-TCH/WHS	(EVRFR)	1 %	1 %	1 %	1 %	1 %

Table 7.5-6	GSM 400, GSM 700, GSM900, GSM 850 and MXM 850					
Channel Type	Error Measure	Error Ratios for the specified propagation conditions				
		TU3 (no SFH)	TU50 (no SFH)	TU50 (ideal SFH)	RA250 (no SFH)	TI5 (no SFH)
<p>* Co-channel interference performance is defined at 10% BLER and adjacent channel interference performance at 30% BLER.</p> <p>NOTE 1: For GSM 400 the speeds shall be doubled (e.g. TU50 shall be TU100) and for GSM 700 the speeds shall be multiplied by 1,2 (e.g. TU50 shall be TU60).</p> <p>NOTE 3: The performance requirements for inband signalling, SID_UPDATE and RATSCCH are the same as those given for TCH/AFS. It is sufficient to test inband signalling, SID_UPDATE and RATSCCH requirements for only one of the channel types TCH/AFS and TCH/WFS.</p> <p>NOTE 4: 30% BLER requirement apply for wanted signal narrow.</p>						

Table 7.5-7: Multipath error performance limits at RX interference level

Table 7.5-7 Channel Type	DCS1800, PCS 1900 and MXM 1900					
	Error Measure	Error Ratios for the specified propagation conditions				
		TU1.5 (no SFH)	TU50 (no SFH)	TU50 (ideal SFH)	RA130 (no SFH)	TI5 (no SFH)
FACCH/H	(FER)	22 %	6.9 %	6.9 %	5.7 %	6.7 %
FACCH/F	(FER)	22 %	3.4 %	3.4 %	3.5 %	9.5 %
E-FACCH/F	(FER)	5	5 %	5 %	5 %	5 %
SDCCH & SACCH	(FER)	22 % ⁽¹⁾	9.0 %	9.0 %	8.0 %	13 %
SACCH (TCH/AxS)	(FER @-3 dB)	40 % ⁽¹⁾	-	-	-	-
RACH	(FER)	15 %	16 %	16 %	13 %	16 %
E-TCH/F43,2 NT	(BLER)	10 %	10 %	10 %	10 %	10 %
E-TCH/F32,0 T	(BER)	0.1 %	0.1 %	0.1 %	0.1 %	0.1 %
E-TCH/F28,8 T	(BER)	0.1 %	0.1 %	0.1 %	0.1 %	0.1 %
E-TCH/F28,8 NT	(BLER)	10 %	10 %	10 %	10 %	10 %
TCH/14.4	(BER)	10.0%	4.0%	3.1%	3.0%	4.5 %
TCH/F9.6	(BER)	8.0 %	0.80 %	0.30 %	0.2 %	0.80 %
TCH/F4.8	(BER)	3.0 %	10 ⁻⁴	10 ⁻⁴	10 ⁻⁴	10 ⁻⁴
TCH/F2.4	(BER)	3.0 %	10 ⁻⁵	10 ⁻⁵	10 ⁻⁵	10 ⁻⁴
TCH/H4.8	(BER)	8.0 %	0.80 %	0.30 %	0.20 %	0.80 %
TCH/H2.4	(BER)	4.0 %	10 ⁻⁴	10 ⁻⁴	10 ⁻⁴	2 10 ⁻⁴
TCH/FS	(FER)	21 α %	3.0 α %	3.0 α %	3.0 α %	6.0 α %
- class Ib	(RBER)	2.0/ α %	0.25/ α %	0.25/ α %	0.20/ α %	0.40/ α %
- class II	(RBER)	4.0 %	8.1 %	8.1 %	8.0 %	8.0 %
TCH/HS	(FER)	19.1 %	5.0 %	5.0 %	4.7 %	5.0 %
- class Ib	(RBER, BFI=0)	0.52 %	0.29 %	0.29 %	0.21 %	0.29 %
- class II	(RBER, BFI=0)	2.8 %	7.2 %	7.2 %	7.0 %	7.1 %
-	(UFR)	20.7 %	6.1 %	6.1 %	5.6 %	6.1 %
- class Ib	(RBER, UFI=0)	0.29 %	0.21 %	0.21 %	0.17 %	0.21 %
-	(EVSIDR)	21.9 %	7.0 %	7.0 %	6.3 %	7.0 %
-	(RBER, SID=2 and BFI=0)	0.02 %	0.01 %	0.01 %	0.01 %	0.01 %
-	(ESIDR)	17.1 %	3.6 %	3.6 %	3.4 %	3.6 %
-	(RBER, SID=1 or 2)	0.50 %	0.26 %	0.26 %	0.20 %	0.26 %
TCH/EFS	(FER)	23 %	3 %	3 %	4 %	9 %
- class Ib	(RBER)	0.20 %	0.10 %	0.10 %	0.13 %	0.20 %
- class II	(RBER)	3 %	8 %	8 %	8 %	7 %
TCH/AFS12.2	(FER)	22 %	2,7 %	2,7 %	1,8 %	6 %
- Class Ib	(RBER)	0,92 %	1,6 %	1,6 %	1,4 %	1,7 %
TCH/AFS10.2	(FER)	18 %	0,98 %	0,98 %	0,56 %	2,7 %
- Class Ib	(RBER)	0,54 %	0,17 %	0,17 %	0,12 %	0,3 %
TCH/AFS7.95	(FER)	13 % ⁽¹⁾	0,07 %	0,07 %	0,029 %	0,51 %
- Class Ib	(RBER)	0,67 % ⁽¹⁾	0,042 %	0,042 %	0,03 %	0,15 %
TCH/AFS7.95	(FER@-3dB)	25 % ⁽¹⁾	2 %	2 %	1,2 %	5,3 %
- Class Ib	(RBER@-3dB)	1,2 % ⁽¹⁾	0,68 %	0,68 %	0,48 %	1 %
TCH/AFS7.4	(FER)	14 % ⁽¹⁾	0,083 %	0,083 %	0,047 %	0,56 %
- Class Ib	(RBER)	0,43 % ⁽¹⁾	0,02 %	0,02 %	0,012 %	0,072 %
TCH/AFS7.4	(FER@-3dB)	26 % ⁽¹⁾	2,3 %	2,3 %	1,4 %	5,4 %
- Class Ib	(RBER@-3dB)	0,8 % ⁽¹⁾	0,32 %	0,32 %	0,22 %	0,52 %
TCH/AFS6.7	(FER)	11 % ⁽¹⁾	0,025 %	0,025 %	0,01 %	0,21 %
- Class Ib	(RBER)	0,76 % ⁽¹⁾	0,028 %	0,028 %	0,016 %	0,11 %
TCH/AFS6.7	(FER@-3dB)	22 % ⁽¹⁾	0,82 %	0,82 %	0,41 %	2,9 %
- Class Ib	(RBER@-3dB)	1,4 % ⁽¹⁾	0,51 %	0,51 %	0,34 %	0,86 %
TCH/AFS5.9	(FER)	10 % ⁽¹⁾	0,01 %	0,01 %	0,01 %	0,12 %
- Class Ib	(RBER)	0,38 % ⁽¹⁾	0,002 %	0,002 %	0,001 %	0,022 %
TCH/AFS5.9	(FER@-3dB)	21 % ⁽¹⁾	0,41 %	0,41 %	0,2 %	2 %
- Class Ib	(RBER@-3dB)	0,72 % ⁽¹⁾	0,079 %	0,079 %	0,046 %	0,23 %

Table 7.5-7		DCS1800, PCS 1900 and MXM 1900				
Channel Type	Error Measure	Error Ratios for the specified propagation conditions				
		TU1.5 (no SFH)	TU50 (no SFH)	TU50 (ideal SFH)	RA130 (no SFH)	TI5 (no SFH)
TCH/AFS5.15	(FER)	9,2 % ⁽¹⁾	0,01 %	0,01 %	0,01 %	0,081 %
- Class Ib	(RBER)	0,45 % ⁽¹⁾	0,001 %	0,001 %	0,001 %	0,019 %
TCH/AFS5.15	(FER@-3dB)	19 % ⁽¹⁾	0,26 %	0,26 %	0,13 %	1,4 %
- Class Ib	(RBER@-3dB)	0,84 % ⁽¹⁾	0,072 %	0,072 %	0,038 %	0,22 %
TCH/AFS4.75	(FER)	7,9 % ⁽¹⁾	0,01 %	0,01 %	-	0,036 %
- Class Ib	(RBER)	0,31 % ⁽¹⁾	0,001 %	0,001 %	0,001 %	0,006 %
TCH/AFS4.75	(FER@-3dB)	17 % ⁽¹⁾	0,1 %	0,1 %	0,051 %	0,82 %
- Class Ib	(RBER@-3dB)	0,61 % ⁽¹⁾	0,021 %	0,021 %	0,009 %	0,11 %
TCH/AFS-INB	(FER)	1,5 % ⁽¹⁾	0,013 %	0,013 %	0,008 %	0,025 %
TCH/AFS-INB	(FER@-3dB)	3,5 % ⁽¹⁾	0,12 %	0,12 %	0,1 %	0,22 %
TCH/AFS	(EVSIDUR)	11 % ⁽¹⁾	0,3 %	0,3 %	0,36 % ⁽¹⁾	1,4 % ⁽¹⁾
TCH/AFS	(EVSIDUR@-3dB)	21 % ⁽¹⁾	2,8 %	2,8 %	2,8 % ⁽¹⁾	6,3 % ⁽¹⁾
TCH/AFS	(EVRFR)	10 % ⁽¹⁾	0,022 %	0,022 %	0,005 %	0,15 %
TCH/AFS	(EVRFR@-3dB)	21 % ⁽¹⁾	0,78 %	0,78 %	0,28 %	2,08 %
TCH/AHS7.95	(FER)	27 %	23 %	23 %	20 %	22 %
- Class Ib	(RBER)	0,85 %	2,3 %	2,3 %	2,1 %	2,3 %
- Class II	(RBER)	1,7 %	5,1 %	5,1 %	5,1 %	5,3 %
TCH/AHS7.95	(FER@+3dB)	14 %	6,7 %	6,7 %	6,5 %	6,7 %
- Class Ib	(RBER@+3dB)	0,49 %	1 %	1 %	0,98 %	1 %
- Class II	(RBER@+3dB)	1 %	3,1 %	3,1 %	3,1 %	3,2 %
TCH/AHS7.4	(FER)	26 %	18 %	18 %	16 %	18 %
- Class Ib	(RBER)	0,69 %	1,4 %	1,4 %	1,3 %	1,4 %
- Class II	(RBER)	1,9 %	5,5 %	5,5 %	5,4 %	5,6 %
TCH/AHS7.4	(FER@+3dB)	13 %	4,9 %	4,9 %	4,8 %	4,8 %
- Class Ib	(RBER@+3dB)	0,39 %	0,51 %	0,51 %	0,47 %	0,51 %
- Class II	(RBER@+3dB)	1,2 %	3,3 %	3,3 %	3,3 %	3,3 %
TCH/AHS6.7	(FER)	23 %	12 %	12 %	9,9 %	11 %
- Class Ib	(RBER)	0,71 %	1,2 %	1,2 %	1 %	1,2 %
- Class II	(RBER)	2,3 %	6 %	6 %	6 %	6,2 %
TCH/AHS6.7	(FER@+3dB)	11 %	2,5 %	2,5 %	2,5 %	2,3 %
- Class Ib	(RBER@+3dB)	0,39 %	0,38 %	0,38 %	0,37 %	0,39 %
- Class II	(RBER@+3dB)	1,4 %	3,5 %	3,5 %	3,5 %	3,6 %
TCH/AHS5.9	(FER)	21 %	7,7 %	7,7 %	6,4 %	7,1 %
- Class Ib	(RBER)	0,55 %	0,6 %	0,6 %	0,48 %	0,57 %
- Class II	(RBER)	2,6 %	6,4 %	6,4 %	6,3 %	6,5 %
TCH/AHS5.15	(FER)	17 %	3,8 %	3,8 %	3,1 %	3,3 %
- Class Ib	(RBER)	0,8 %	0,66 %	0,66 %	0,53 %	0,6 %
- Class II	(RBER)	3,1 %	6,8 %	6,8 %	6,6 %	6,9 %
TCH/AHS4.75	(FER)	15 %	2,1 %	2,1 %	1,8 %	1,8 %
- Class Ib	(RBER)	0,6 %	0,25 %	0,25 %	0,19 %	0,22 %
- Class II	(RBER)	3,6 %	7 %	7 %	6,8 %	7 %
TCH/AHS-INB	(FER)	2,8 % ⁽¹⁾	0,71 % ⁽¹⁾	0,71 % ⁽¹⁾	0,6 % ⁽¹⁾	0,7 % ⁽¹⁾
TCH/AHS-INB	(FER@-3dB)	5,9 % ⁽¹⁾	2,2 % ⁽¹⁾	2,2 % ⁽¹⁾	1,8 % ⁽¹⁾	2,2 % ⁽¹⁾
TCH/AHS	(EVSIDUR)	15 % ⁽¹⁾	3,1 % ⁽¹⁾	3,1 % ⁽¹⁾	3,5 % ⁽¹⁾	2,5 % ⁽¹⁾
TCH/AHS	(EVSIDUR@-3dB)	28 % ⁽¹⁾	15 % ⁽¹⁾	15 % ⁽¹⁾	14 % ⁽¹⁾	15 % ⁽¹⁾
TCH/AHS	(EVRFR)	11 % ⁽¹⁾	0,53 % ⁽¹⁾	0,53 % ⁽¹⁾	0,52 % ⁽¹⁾	0,51 % ⁽¹⁾
TCH/AHS	(EVRFR@-3dB)	22 % ⁽¹⁾	4,5 % ⁽¹⁾	4,5 % ⁽¹⁾	3,8 % ⁽¹⁾	4,4 % ⁽¹⁾
PDTCH/CS-1 to 4	(BLER)	10%	10%	10%	10%	10%
PDTCH/MCS-1 to 6	(BLER)	10%	10%	10%	10%	10%
PDTCH/MCS-7	(BLER)	10%	10%	10%	30%	10%
PDTCH/MCS-8	(BLER)	10%	30%	30%	-	30%
PDTCH/MCS-9	(BLER)	10%	30%	30%	-	30%
PDTCH/UAS-7 to 9	(BLER)	10%	10%	10%	10%	10%
PDTCH/UAS-10	(BLER)	10%	30%/10%*	30%/10%*	30%	10%
PDTCH/UAS-11	(BLER)	10%	30%	30%	-	10%
PDTCH/UBS-5 to 10	(BLER)	10%	10%	10%	10%	10%
PDTCH/UBS-11	(BLER)	10%	10% ⁽²⁾	10% ⁽²⁾	10% ⁽²⁾	10% ⁽²⁾
PDTCH/UBS-12	(BLER)	10%	10% ⁽²⁾	10% ⁽²⁾	30%	10% ⁽²⁾
PRACH/11 bit	(BLER)	15%	15%	15%	15%	15%

Table 7.5-7		DCS1800, PCS 1900 and MXM 1900				
Channel Type	Error Measure	Error Ratios for the specified propagation conditions				
		TU1.5 (no SFH)	TU50 (no SFH)	TU50 (ideal SFH)	RA130 (no SFH)	TI5 (no SFH)
PRACH/8 bit	(BLER)	15%	15%	15%	15%	15 %
PACCH	(BLER)	10%	10%	10%	10%	10 %
TCH/WFS12.65	(FER)	1%	1%	1%	1%	1%
	(RBER)	0,08 %	0,63 %	0,63 %	0,63 %	0,40 %
TCH/ WFS8.85	(FER)	1%	1%	1%	1%	1%
	(RBER)	0,11 %	0,64 %	0,64 %	0,73 %	0,42 %
TCH/ WFS6.60	(FER)	1%	1%	1%	1%	1%
	(RBER)	0,09 %	0,27 %	0,27 %	0,24 %	0,16 %
O-FACCH/F	(FER)	5 %	5 %	5 %	5 %	5 %
O-FACCH/H	(FER)	5 %	5 %	5 %	5 %	5 %
O-TCH/AHS12.2	(FER)	1 %	1 %	1 %	1 %	1 %
- class 1b	(RBER)	0,17 %	0,30 %	0,30 %	0,26 %	0,30 %
O-TCH/AHS10.2	(FER)	1 %	1 %	1 %	1 %	1 %
- class 1b	(RBER)	0,09 %	0,13 %	0,13 %	0,20 %	0,15 %
O-TCH/AHS7.95	(FER)	1 %	1 %	1 %	1 %	1 %
- class 1b	(RBER)	0,06 %	0,07 %	0,07 %	0,10 %	0,06 %
O-TCH/AHS7.4	(FER)	1 %	1 %	1 %	1 %	1 %
- class 1b	(RBER)	0,08 %	0,12 %	0,12 %	0,16 %	0,12 %
O-TCH/AHS6.7	(FER)	1 %	1 %	1 %	1 %	1 %
- class 1b	(RBER)	0,09 %	0,12 %	0,12 %	0,20 %	0,12 %
O-TCH/AHS5.9	(FER)	1 %	1 %	1 %	1 %	1 %
- class 1b	(RBER)	0,11 %	0,15 %	0,15 %	0,17 %	0,16 %
O-TCH/AHS5.15	(FER)	1 %	1 %	1 %	1 %	1 %
- class 1b	(RBER)	0,06 %	0,08 %	0,08 %	0,09 %	0,08 %
O-TCH/AHS4.75	(FER)	1 %	1 %	1 %	1 %	1 %
- class 1b	(RBER)	0,08 %	0,10 %	0,10 %	0,13 %	0,09 %
O-TCH/AHS-INB	(FER)	0.5 %	0.5 %	0.5 %	0.5 %	0.5 %
O-TCH/AHS	(EVSIDUR)	1 %	1 %	1 %	1 %	1 %
O-TCH/AHS	(EVRFR)	1 %	1 %	1 %	1 %	1 %
O-TCH/WFS23.85	(FER)	1 %	1 %	1 %	1 %	1 %
- class 1b	(RBER)	0,10 %	0,20 %	0,20 %	0,28 %	0,15 %
O-TCH/WFS15.85	(FER)	1 %	1 %	1 %	1 %	1 %
- class 1b	(RBER)	0,26 %	0,44 %	0,44 %	0,60 %	0,35 %
O-TCH/WFS12.65	(FER)	1 %	1 %	1 %	1 %	1 %
- class 1b	(RBER)	0,18 %	0,32 %	0,32 %	0,40 %	0,31 %
O-TCH/WFS8.85	(FER)	1 %	1 %	1 %	1 %	1 %
- class 1b	(RBER)	0,16 %	0,28 %	0,28 %	0,42 %	0,22 %
O-TCH/WFS6.60	(FER)	1 %	1 %	1 %	1 %	1 %
- class 1b	(RBER)	0,10 %	0,16 %	0,16 %	0,23 %	0,14 %
O-TCH/WFS-INB	(FER)	0.5 %	0.5 %	0.5 %	0.5 %	0.5 %
O-TCH/WFS	(EVSIDUR)	1 %	1 %	1 %	1 %	1 %
O-TCH/WFS	(EVRFR)	1 %	1 %	1 %	1 %	1 %
O-TCH/WHS12.65	(FER)	1 %	1 %	1 %	1 %	1 %
- class 1b	(RBER)	0,16 %	0,30 %	0,30 %	0,32 %	0,27 %
O-TCH/WHS8.85	(FER)	1 %	1 %	1 %	1 %	1 %
- class 1b	(RBER)	0,07 %	0,11 %	0,11 %	0,11 %	0,11 %
O-TCH/WHS6.60	(FER)	1 %	1 %	1 %	1 %	1 %
- class 1b	(RBER)	0,09 %	0,12 %	0,12 %	0,14 %	0,12 %
O-TCH/WHS-INB	(FER)	0.5 %	0.5 %	0.5 %	0.5 %	0.5 %
O-TCH/WHS	(EVSIDUR)	1 %	1 %	1 %	1 %	1 %
O-TCH/WHS	(EVRFR)	1 %	1 %	1 %	1 %	1 %

Table 7.5-7	DCS1800, PCS 1900 and MXM 1900					
Channel Type	Error Measure	Error Ratios for the specified propagation conditions				
		TU1.5 (no SFH)	TU50 (no SFH)	TU50 (ideal SFH)	RA130 (no SFH)	TI5 (no SFH)
* Co-channel interference performance is defined at 30% BLER and adjacent channel interference performance at 10% BLER.						
NOTE 1: The performance requirements for inband signalling, SID_UPDATE and RATSCCH are the same as those given for TCH/AFS. It is sufficient to test inband signalling, SID_UPDATE and RATSCCH requirements for only one of the channel types TCH/AFS and TCH/WFS.						
NOTE 2: 30% BLER requirement apply for wanted signal narrow.						

Table 7.5-8: Multipath error performance limits at RX interference level offset 200 kHz

Table 7.5-8		GSM 400, GSM900, GSM 700, GSM 850 and MXM 850***				
Channel Type	Error Measure	Error Ratios for the specified propagation conditions				
		TU3 (no SFH)	TU50 (no SFH)	TU50 (ideal SFH)	RA250 (no SFH)	T15 (no SFH)
O-FACCH/F	(FER)	5 %	5 %	5 %	5 %	5 %
O-FACCH/H	(FER)	5 %	5 %	5 %	5 %	5 %
O-TCH/AHS12.2	(FER)	1 %	1 %	1 %	1 %	1 %
- class 1b	(RBER)	0,15 %	0,26 %	0,28 %	0,33 %	0,26 %
O-TCH/AHS10.2	(FER)	1 %	1 %	1 %	1 %	1 %
- class 1b	(RBER)	0,11 %	0,14 %	0,14 %	0,17 %	0,14 %
O-TCH/AHS7.95	(FER)	1 %	1 %	1 %	1 %	1 %
- class 1b	(RBER)	0,07 %	0,08 %	0,07 %	0,07 %	0,08 %
O-TCH/AHS7.4	(FER)	1 %	1 %	1 %	1 %	1 %
- class 1b	(RBER)	0,11 %	0,15 %	0,15 %	0,17 %	0,15 %
O-TCH/AHS6.7	(FER)	1 %	1 %	1 %	1 %	1 %
- class 1b	(RBER)	0,08 %	0,15 %	0,16 %	0,13 %	0,15 %
O-TCH/AHS5.9	(FER)	1 %	1 %	1 %	1 %	1 %
- class 1b	(RBER)	0,08 %	0,19 %	0,22 %	0,17 %	0,19 %
O-TCH/AHS5.15	(FER)	1 %	1 %	1 %	1 %	1 %
- class 1b	(RBER)	0,05 %	0,10 %	0,08 %	0,10 %	0,10 %
O-TCH/AHS4.75	(FER)	1 %	1 %	1 %	1 %	1 %
- class 1b	(RBER)	0,06 %	0,13 %	0,11 %	0,12 %	0,13 %
O-TCH/AHS-INB	(FER)	0.5 %	0.5 %	0.5 %	0.5 %	0.5 %
O-TCH/AHS	(EVSIDUR)	1 %	1 %	1 %	1 %	1 %
O-TCH/AHS	(EVRFR)	1 %	1 %	1 %	1 %	1 %
O-TCH/WFS23.85	(FER)	1 %	1 %	1 %	1 %	1 %
- class 1b	(RBER)	0,09 %	0,17 %	0,21 %	0,26 %	0,17 %
O-TCH/WFS15.85	(FER)	1 %	1 %	1 %	1 %	1 %
- class 1b	(RBER)	0,30 %	0,45 %	0,50 %	0,60 %	0,45 %
O-TCH/WFS12.65	(FER)	1 %	1 %	1 %	1 %	1 %
- class 1b	(RBER)	0,11 %	0,35 %	0,46 %	0,46 %	0,35 %
O-TCH/WFS8.85	(FER)	1 %	1 %	1 %	1 %	1 %
- class 1b	(RBER)	0,13 %	0,35 %	0,31 %	0,29 %	0,35 %
O-TCH/WFS6.60	(FER)	1 %	1 %	1 %	1 %	1 %
- class 1b	(RBER)	0,09 %	0,15 %	0,17 %	0,16 %	0,15 %
O-TCH/WFS-INB	(FER)	0.5 %	0.5 %	0.5 %	0.5 %	0.5 %
O-TCH/WFS	(EVSIDUR)	1 %	1 %	1 %	1 %	1 %
O-TCH/WFS	(EVRFR)	1 %	1 %	1 %	1 %	1 %
O-TCH/WHS12.65	(FER)	1 %	1 %	1 %	1 %	1 %
- class 1b	(RBER)	0,17 %	0,30 %	0,33 %	0,36 %	0,30 %
O-TCH/WHS8.85	(FER)	1 %	1 %	1 %	1 %	1 %
- class 1b	(RBER)	0,09 %	0,11 %	0,12 %	0,14 %	0,11 %
O-TCH/WHS6.60	(FER)	1 %	1 %	1 %	1 %	1 %
- class 1b	(RBER)	0,07 %	0,15 %	0,17 %	0,13 %	0,15 %
O-TCH/WHS-INB	(FER)	0.5 %	0.5 %	0.5 %	0.5 %	0.5 %
O-TCH/WHS	(EVSIDUR)	1 %	1 %	1 %	1 %	1 %
O-TCH/WHS	(EVRFR)	1 %	1 %	1 %	1 %	1 %

Table 7.5-8		DCS1800, PCS 1900 and MXM1900				
Channel Type	Error Measure	Error Ratios for the specified propagation conditions				
		TU1.5 (no SFH)	TU50 (no SFH)	TU50 (ideal SFH)	RA130 (no SFH)	TI5 (no SFH)
O-FACCH/F	(FER)	5 %	5 %	5 %	5 %	5 %
O-FACCH/H	(FER)	5 %	5 %	5 %	5 %	5 %
O-TCH/AHS12.2	(FER)	1 %	1 %	1 %	1 %	1 %
- class 1b	(RBER)	0,15 %	0,30 %	0,30 %	0,33 %	0,26 %
O-TCH/AHS10.2	(FER)	1 %	1 %	1 %	1 %	1 %
- class 1b	(RBER)	0,11 %	0,14 %	0,14 %	0,17 %	0,14 %
O-TCH/AHS7.95	(FER)	1 %	1 %	1 %	1 %	1 %
- class 1b	(RBER)	0,07 %	0,08 %	0,08 %	0,07 %	0,08 %
O-TCH/AHS7.4	(FER)	1 %	1 %	1 %	1 %	1 %
- class 1b	(RBER)	0,11 %	0,17 %	0,17 %	0,17 %	0,15 %
O-TCH/AHS6.7	(FER)	1 %	1 %	1 %	1 %	1 %
- class 1b	(RBER)	0,08 %	0,15 %	0,15 %	0,13 %	0,15 %
O-TCH/AHS5.9	(FER)	1 %	1 %	1 %	1 %	1 %
- class 1b	(RBER)	0,08 %	0,20 %	0,20 %	0,17 %	0,19 %
O-TCH/AHS5.15	(FER)	1 %	1 %	1 %	1 %	1 %
- class 1b	(RBER)	0,05 %	0,11 %	0,11 %	0,10 %	0,10 %
O-TCH/AHS4.75	(FER)	1 %	1 %	1 %	1 %	1 %
- class 1b	(RBER)	0,06 %	0,14 %	0,14 %	0,12 %	0,13 %
O-TCH/AHS-INB	(FER)	0.5 %	0.5 %	0.5 %	0.5 %	0.5 %
O-TCH/AHS	(EVSIDUR)	1 %	1 %	1 %	1 %	1 %
O-TCH/AHS	(EVRFR)	1 %	1 %	1 %	1 %	1 %
O-TCH/WFS23.85	(FER)	1 %	1 %	1 %	1 %	1 %
- class 1b	(RBER)	0,09 %	0,18 %	0,18 %	0,26 %	0,17 %
O-TCH/WFS15.85	(FER)	1 %	1 %	1 %	1 %	1 %
- class 1b	(RBER)	0,30 %	0,50 %	0,50 %	0,60 %	0,45 %
O-TCH/WFS12.65	(FER)	1 %	1 %	1 %	1 %	1 %
- class 1b	(RBER)	0,11 %	0,36 %	0,36 %	0,46 %	0,35 %
O-TCH/WFS8.85	(FER)	1 %	1 %	1 %	1 %	1 %
- class 1b	(RBER)	0,13 %	0,42 %	0,42 %	0,29 %	0,35 %
O-TCH/WFS6.60	(FER)	1 %	1 %	1 %	1 %	1 %
- class 1b	(RBER)	0,09 %	0,20 %	0,20 %	0,16 %	0,15 %
O-TCH/WFS-INB	(FER)	0.5 %	0.5 %	0.5 %	0.5 %	0.5 %
O-TCH/WFS	(EVSIDUR)	1 %	1 %	1 %	1 %	1 %
O-TCH/WFS	(EVRFR)	1 %	1 %	1 %	1 %	1 %
O-TCH/WHS12.65	(FER)	1 %	1 %	1 %	1 %	1 %
- class 1b	(RBER)	0,17 %	0,32 %	0,32 %	0,36 %	0,30 %
O-TCH/WHS8.85	(FER)	1 %	1 %	1 %	1 %	1 %
- class 1b	(RBER)	0,09 %	0,12 %	0,12 %	0,14 %	0,11 %
O-TCH/WHS6.60	(FER)	1 %	1 %	1 %	1 %	1 %
- class 1b	(RBER)	0,07 %	0,16 %	0,16 %	0,13 %	0,15 %
O-TCH/WHS-INB	(FER)	0.5 %	0.5 %	0.5 %	0.5 %	0.5 %
O-TCH/WHS	(EVSIDUR)	1 %	1 %	1 %	1 %	1 %
O-TCH/WHS	(EVRFR)	1 %	1 %	1 %	1 %	1 %

Table 7.5-8a: Multipath error performance limits at RX interference level for channels in VAMOS mode.

Table 7.5-8a		GSM 400, GSM 700, GSM900, GSM 850 and MXM 850				
Channel Type	Error Measure	SCPIR_UL (dB)	Error Ratios for the specified test scenario			
			VUTS-1	VUTS-2	VUTS-3	VUTS-4
TCH/HS	(FER)	0	1 %	1 %	1 %	1 %
- class Ib	(RBER)	0	0.2%	0.16%	0.24%	0.23%
- class II	(RBER)	0	4.52%	3.54%	4.51%	3.74%
TCH/EFS	(FER)	0	1 %	1 %	1 %	1 %
- class Ib	(RBER)	0	0.04%	0.04%	0.04%	0.04%
- class II	(RBER)	0	2.75%	3.10%	3.30%	2.70%
TCH/AFS 12.2	(FER)	0	1 %	1 %	1 %	1 %
- class Ib	(RBER)	0	0.46%	0.45%	0.53%	0.31%
TCH/AFS 4.75	(FER)	0	1 %	1 %	1 %	1 %
- class Ib	(RBER)	0	0.12%	0.1%	0.21%	0.13%
TCH/AHS 7.4	(FER)	0	1 %	1 %	1 %	1 %
- class Ib	(RBER)	0	0.17%	0.14%	0.18%	0.13%
- class II	(RBER)	0	1.40%	1.20%	1.79%	1.05%
TCH/AHS 4.75	(FER)	0	1 %	1 %	1 %	1 %
- class Ib	(RBER)	0	0.15%	0.18%	0.36%	0.15%
- class II	(RBER)	0	6%	4.50%	5.10%	5.2%
TCH/WFS 12.65	(FER)	0	1 %	1 %	1 %	1 %
- class Ib	(RBER)	0	0.32%	0.30%	0.33%	0.27%
TCH/WFS 6.60	(FER)	0	1 %	1 %	1 %	1 %
- class Ib	(RBER)	0	0.15%	0.15%	0.22%	0.15%
FACCH/F	(FER)	0	5 %	5 %	5 %	5 %
FACCH/H	(FER)	0	5 %	5 %	5 %	5 %
SACCH	(FER)	0	5 %	5 %	5 %	5 %
Repeated SACCH	(FER)	0	5 %	5 %	5 %	5 %
TCH/HS	(FER)	-10	1 %	1 %	1 %	1 %
- class Ib	(RBER)	-10	0.1%	0.13%	0.19%	0.15%
- class II	(RBER)	-10	4.50%	3.90%	4.95%	5%
TCH/EFS	(FER)	-10	1 %	1 %	1 %	1 %
- class Ib	(RBER)	-10	0.04%	0.04%	0.04%	0.05%
- class II	(RBER)	-10	3.30%	3.40%	3.50%	3.7%
TCH/AFS 12.2	(FER)	-10	1 %	1 %	1 %	1 %
- class Ib	(RBER)	-10	0.53%	0.63%	0.58%	0.42%
TCH/AHS 7.4	(FER)	-10	1 %	1 %	1 %	1 %
- class Ib	(RBER)	-10	0.18%	0.22%	0.22%	0.15%
- class II	(RBER)	-10	2.01%	1.60%	2.16%	1.84%
TCH/WFS 12.65	(FER)	-10	1 %	1 %	1 %	1 %
- class Ib	(RBER)	-10	0.42%	0.35%	0.37%	0.32%

Table 7.5-8a		DCS1800, PCS 1900 and MXM1900				
Channel Type	Error Measure	SCPIR_UL (dB)	Error Ratios for the specified test scenario			
			VUTS-1	VUTS-2	VUTS-3	VUTS-4
TCH/HS	(FER)	0	1 %	1 %	1 %	1 %
- class Ib	(RBER)	0	0.21%	0.18%	0.23%	0.23%
- class II	(RBER)	0	4.64%	3.50%	4.60%	3.86%
TCH/EFS	(FER)	0	1 %	1 %	1 %	1 %
- class Ib	(RBER)	0	0.04%	0.04%	0.04%	0.04%
- class II	(RBER)	0	2.90%	3.85%	3.10%	2.30%
TCH/AFS 12.2	(FER)	0	1 %	1 %	1 %	1 %
- class Ib	(RBER)	0	0.4%	0.52%	0.50%	0.39%
TCH/AFS 4.75	(FER)	0	1 %	1 %	1 %	1 %
- class Ib	(RBER)	0	0.14%	0.13%	0.26%	0.15%
TCH/AHS 7.4	(FER)	0	1 %	1 %	1 %	1 %
- class Ib	(RBER)	0	0.18%	0.18%	0.18%	0.16%
- class II	(RBER)	0	1.30%	1.54%	1.35%	1.15%
TCH/AHS 4.75	(FER)	0	1 %	1 %	1 %	1 %
- class Ib	(RBER)	0	0.25%	0.21%	0.37%	0.25%
- class II	(RBER)	0	6.39%	4.40%	5.40%	6.01%
TCH/WFS 12.65	(FER)	0	1 %	1 %	1 %	1 %
- class Ib	(RBER)	0	0.39%	0.32%	0.40%	0.42%
TCH/WFS 6.60	(FER)	0	1 %	1 %	1 %	1 %
- class Ib	(RBER)	0	0.20%	0.15%	0.27%	0.15%
FACCH/F	(FER)	0	5 %	5 %	5 %	5 %
FACCH/H	(FER)	0	5 %	5 %	5 %	5 %
SACCH	(FER)	0	5 %	5 %	5 %	5 %
Repeated SACCH	(FER)	0	5 %	5 %	5 %	5 %
TCH/HS	(FER)	-10	1 %	1 %	1 %	1 %
- class Ib	(RBER)	-10	0.17%	0.15%	0.18%	0.17%
- class II	(RBER)	-10	4.46%	4.01%	4.90%	4.24%
TCH/EFS	(FER)	-10	1 %	1 %	1 %	1 %
- class Ib	(RBER)	-10	0.04%	0.04%	0.04%	0.04%
- class II	(RBER)	-10	3.87%	3.41%	3.45%	3.27%
TCH/AFS 12.2	(FER)	-10	1 %	1 %	1 %	1 %
- class Ib	(RBER)	-10	0.70%	0.67%	0.70%	0.66%
TCH/AHS 7.4	(FER)	-10	1 %	1 %	1 %	1 %
- class Ib	(RBER)	-10	0.29%	0.23%	0.27%	0.18%
- class II	(RBER)	-10	2%	1.75%	2.02%	2%
TCH/WFS 12.65	(FER)	-10	1 %	1 %	1 %	1 %
- class Ib	(RBER)	-10	0.52%	0.50%	0.54%	0.39%

Table 7.5-9: Multipath error performance limits at RX interference level offset 400 kHz

Table 7.5-9			
GSM 400, GSM 700, GSM 900, GSM 850 and MXM 850			
Channel Type	Error Measure	Error Ratios for the specified propagation conditions	
		TU50 (no SFH)	TI5 (no SFH)
FACCH/F	(FER)	17.1 %	17.1 %
TCH/FS	(FER)	10.2 α %	10.2 α %
- class Ib	(RBER)	0.72/ α %	0.72/ α %
- class II	(RBER)	8.8 %	8.8 %

NOTE: For GSM 400 the speeds shall be doubled (e.g. TU50 shall be TU100) and for GSM 700 the speeds shall be multiplied by 1,2 (e.g. TU50 shall be TU60).

Table 7.5-10: Multipath error performance limits at RX interference level offset 400 kHz

Table 7.5-10			
DCS 1800, PCS 1900 and MXM 1900			
Channel Type	Error Measure	Error Ratios for the specified propagation conditions	
		TU50 (no SFH)	TI5 (no SFH)
FACCH/F	(FER)	6.1 %	17.1 %
TCH/FS	(FER)	5.1 α %	10.2 α %
- class Ib	(RBER)	0.45/ α %	0.72/ α %
- class II	(RBER)	8.9 %	8.8 %

NOTE 2: For TU 6 (ideal FH), TU3.6 (ideal FH), TU3 (ideal FH) and TU1.5 (ideal FH), sufficient decorrelation cannot readily be achieved between the channel propagation conditions for each frequency hopped on. The requirements in 3GPP TS 45.005 for performance with TU1.5, TU3, TU3.6 or TU6(ideal FH) propagation condition cannot hence be tested and are thus absent in this test specification. They are inherently tested by TU50 (ideal FH) together with TU3 (no FH), TU3.6 (no FH), TU 6 (no FH) or TU1.5 (no FH).

NOTE 3: In certain AMR channels, two requirements are given, one at the reference interference ratio and one at 3dB above or below the reference interference ratio. In these cases, only the requirement at 3dB above or below the reference interference ratio needs to be tested, except those marked by an (*), where only the requirement at the reference interference ratio needs to be tested.

7.5.5 Requirements Reference

3GPP TS 45.005 subclause 6.3.

7.6 Blocking Characteristics

7.6.1 Test Purpose

Blocking and spurious response rejection is a measure of the ability of a BSS receiver to receive a wanted GSM modulated signal in the presence of an interfering signal; the level of the interfering signal is higher for the test of blocking than for spurious response.

7.6.2 Test Case

The manufacturer shall declare any intermediate frequencies (IF1 to IFn) used within the receiver, and the frequency of the local oscillator applied to the first receiver mixer.

- 1) This measurement is carried out in three stages:
 - a) an optional preliminary test to identify frequencies of interfering signal which require more detailed investigation.

- b) measurement of blocking performance:
 - i) all out-of-band frequencies (general requirements for co-existence)
 - ii) in case of multicarrier BTS equipped with multicarrier receiver, if the BSS is declared to be suitable for co-location with systems in other frequency bands, in the declared frequency bands (co-location requirements)
 - c) measurement of spurious response performance; this test need only be performed at those frequencies of interfering signal at which the specification for blocking is not met.
- 2) The BSS shall be configured to operate as close to the centre of the operating receive band as is possible. In case of multicarrier receiver the BTS configuration in 4.10.10 applies. If Slow frequency hopping is supported by the BSS, it shall be disabled during these measurements.
- 3) The measurement shall be performed in a test configuration, depending on the declared type of receiver
- a) For all types of receivers except multicarrier BTS with multicarrier receiver, the two RF signals shall be fed into the receiver antenna connector of the BSS using a combining network. The wanted signal shall be at the operating frequency of the receiver, shall be modulated with normal GSM modulation, and shall be at a level as specified in table 7.6-1. The measurement is only performed under static propagation conditions.
 - b) In case of testing multicarrier BTS with multicarrier receiver, the maximum supported number of wanted signals or four, whichever is less, and the blocking signal shall be fed into the receiver antenna connector of the BSS using a combining network. The wanted signals shall be equally spread over the maximum Base Station RF bandwidth with two of them allocated at the edge frequencies of the maximum Base Station RF bandwidth of the receiver. Each wanted signal shall use a normal GSM modulation, with a signal level as specified in table 7.6-1 at the receiver input. If no requirement is defined in Table 7.6-3 for a combination of interfering signal power and frequency offset between interferer and wanted signal, the measured data for the corresponding wanted signal(s) may be discarded from the evaluation. The allocation of the center frequency of the RF Base Station bandwidth is set according to 4.10.10 except for out of band blocking tests where it is sufficient to allocate the center of the supported Base Station RF bandwidth as close as possible to the center frequency of the operating band.

The performances of the wanted signals are recorded simultaneously.

The tests are repeated until all applicable interferer levels in table 7.6-3 have been tested.

The measurement is only performed under static propagation conditions without reconfiguring any receiver resources during the test.

If BSS supports both EGPRS and ECSD, it is not necessary to perform testing in both modes. If ECSD channel other than E-TCH/F43.2 NT is to be measured a wanted signal level 3 dB above the test signal level specified in subclause 7.3 shall be used, with the exception for GSM 700, GSM850, MXM850 and MXM 1900 normal BTSs, where a wanted signal 1 dB above the test signal level specified in subclause 7.3 shall be used. If TCH/FS is not supported, the highest supported of PDTCH/MCS-1 to MCS-4 shall be measured using a wanted signal level 3 dB above the test signal level specified in subclause 7.3, with the exception for GSM 700, GSM850, MXM850 and MXM 1900 normal BTSs, where a wanted signal 1 dB above the test signal level specified in subclause 7.3 shall be used. A MXM 1900 normal BTS may instead be tested to the requirements of a PCS 1900 normal BTS.

Table 7.6-1: Power level of wanted signal for test of Blocking Characteristics

BTS Type	Power level of Wanted Signal						
	TCH/ FS	E-TCH/ F43.2 NT	PDTCH/ MCS-5	PDTCH/ MCS-6	PDTCH/ MCS-7	PDTCH/ MCS-8	PDTCH/ MCS-9
GSM 400/ GSM900/DCS1800/PCS 1900 BTS	-101 dBm	-94 dBm	-98 dBm	-96.5 dBm	-93 dBm	-90 dBm	-88.5 dBm
GSM700/GSM850/MXM 850*/MXM 1900* BTS	-103 dBm	-96 dBm	-100 dBm	-98.5 dBm	-95 dBm	-92 dBm	-90.5 dBm
GSM900/GSM700/GSM850/MXM 850* micro-BTS M1	-94 dBm	-87 dBm	-91 dBm	-89.5 dBm	-86 dBm	-83 dBm	-81.5 dBm
GSM900/GSM700/GSM850/MXM 850* micro-BTS M2	-89 dBm	-82 dBm	-86 dBm	-84.5 dBm	-81 dBm	-78 dBm	-76.5 dBm
GSM900/GSM700/GSM850/MXM 850* micro-BTS M3	-84 dBm	-77 dBm	-81 dBm	-79.5 dBm	-76 dBm	-73 dBm	-71.5 dBm
GSM900/GSM700/GSM850/MXM 850* pico-BTS P1	-85 dBm	-78 dBm	-82 dBm	-80.5 dBm	-93 dBm	-74 dBm	-72.5 dBm
DCS1800/PCS 1900/ MXM 1900* micro-BTS M1	-99 dBm	-92 dBm	-96 dBm	-94.5 dBm	-91 dBm	-88 dBm	-86.5 dBm
DCS1800/PCS 1900/ MXM 1900* micro-BTS M2	-94 dBm	-87 dBm	-91 dBm	-89.5 dBm	-86 dBm	-83 dBm	-81.5 dBm
DCS1800/PCS 1900/ MXM 1900* micro-BTS M3	-89 dBm	-82 dBm	-86 dBm	-84.5 dBm	-81 dBm	-78 dBm	-76.5 dBm
DCS1800/PCS 1900/ MXM 1900* pico-BTS P1	-92 dBm	-85 dBm	-89 dBm	-87.5 dBm	-84 dBm	-81 dBm	-79.5 dBm

* NOTE: TCH/FS and E-TCH/F43.2 are not applicable for MXM850 and 1900.

PRELIMINARY TEST

- 4) This optional test may be performed to reduce the number of measurements required in step 8. If it is performed, this shall be at the frequencies specified below. This test is not applicable for multicarrier BTS with multicarrier receiver when testing inband blocking frequencies. In case of multicarrier BTS with multicarrier receiver the test, if applied, shall be performed with simultaneous reception and evaluation of the number of wanted signals, as specified in step 3b), when testing out-of-band blocking frequencies.
- 5) The test shall be performed for an interfering signal at all frequencies which are integer multiples of 200 kHz , and which fall within one or more of the frequency ranges listed below, but excluding frequencies which exceed 12.75 GHz or are less than 600 kHz from the wanted signal:
 - a) from
 - TGSM 810: 706 MHz to 921 MHz inclusive.
 - PGSM 900: 790 MHz to 1015 MHz inclusive.
 - EGSM 900: 780 MHz to 1015 MHz inclusive.
 - RGSM 900: 776 MHz to 1015 MHz inclusive.
 - DCS 1800: 1610 MHz to 1885 MHz inclusive.
 - PCS 1900 and MXM 1900: 1750 MHz to 2010 MHz inclusive.
 - GSM 850 and MXM 850: 724 MHz to 949 MHz inclusive.
 - GSM 710: 598 MHz to 816 MHz inclusive.
 - GSM 750: 677 MHz to 893 MHz inclusive.
 - GSM 450: 350 MHz to 558 MHz inclusive.

GSM 480: 378 MHz to 586 MHz inclusive.

b) TGSM 810:

from Flo - (IF1 + IF2 + + IFn + 7.5 MHz) to

Flo + (IF1 + IF2 + + IFn + 7.5 MHz).

GSM 850, MXM 850, PGSM 900, EGSM900 and RGSM 900:

from Flo - (IF1 + IF2 + + IFn + 12.5 MHz) to

Flo + (IF1 + IF2 + + IFn + 12.5 MHz).

DCS 1800:

from Flo - (IF1 + IF2 + + IFn + 37.5 MHz) to

Flo + (IF1 + IF2 + + IFn + 37.5 MHz).

GSM 400:

from Flo - (IF1 + IF2 + + IFn + 3.6 MHz) to

Flo + (IF1 + IF2 + + IFn + 3.6 MHz).

PCS 1900 and MXM 1900:

from Flo - (IF1 + IF2 + + IFn + 30 MHz) to

Flo + (IF1 + IF2 + + IFn + 30 MHz).

GSM 700:

from Flo - (IF1 + IF2 + + IFn + 7.5 MHz) to

Flo + (IF1 + IF2 + + IFn + 7.5 MHz).

c) from IF1 - 400 kHz to IF1 + 400 kHz.

In the case of multicarrier BTS equipped with multicarrier receiver:

From $IF1 - RF_{BW\ Max}/2 - 200kHz$ to $IF1 + RF_{BW\ Max}/2 + 200kHz$

d) All of the ranges:

mFlo - IF1 - 200 kHz to mFlo - IF1 + 200 kHz

and

mFlo + IF1 - 200 kHz to mFlo + IF1 + 200 kHz

In the case of multicarrier BTS equipped with multicarrier receiver:

mFlo - IF1 - $RF_{BW\ Max}/2$ to mFlo - IF1 + $RF_{BW\ Max}/2$

and

mFlo + IF1 - $RF_{BW\ Max}/2$ to mFlo + IF1 + $RF_{BW\ Max}/2$

e) All integer multiples of 10 MHz

Where: Flo is the frequency of the local oscillator applied to the first receiver mixer.

IF1 ... IFn are the n intermediate frequencies in the digital as well as the analog part of the receiver.

m is all positive integers.

$RF_{BW\ Max}$ equals the maximum Base Station RF bandwidth.

To reduce test time, a shortened test procedure according to annex A of the present document may be used, with an upper limit of measurement of 4 GHz.

- 6) The interfering signal shall be frequency modulated with a modulation frequency of 2 kHz and a peak deviation of +/-100 kHz.
- 7) For interfering signal frequency within the range:
- TGSM810: 786 MHz to 831 MHz;
 - PGSM900: 870 MHz to 925 MHz;
 - EGSM900: 860 MHz to 925 MHz;
 - RGSM900: 856 MHz to 921 MHz;
 - DCS1800: 1690 MHz to 1805 MHz.
 - GSM 450: 444.4 MHz to 460.4 MHz;
 - GSM 480: 472.8 MHz to 488.8 MHz;
 - GSM 710: 678 MHz to 728 MHz;
 - GSM 750: 763 MHz to 813 MHz;
 - GSM 850 and MXM 850: 804 MHz to 869 MHz;
 - PCS 1900 and MXM 1900: 1830 MHz to 1930 MHz;

the level of the interfering signal at the receiver input, except for multicarrier BTS equipped with multicarrier receiver, shall be:

GSM 400, GSM 900, GSM 700, GSM 850 and MXM 850: -3 dBm.

DCS 1800, PCS 1900 and MXM 1900: -15 dBm.

For interfering signal frequencies on other frequencies, the level of the interfering signal shall be

BTS except for multicarrier BTS equipped with multicarrier receiver +10 dBm.

In case of multicarrier BTS equipped with multicarrier receiver the level of the interfering signal shall be: -9 dBm.

In case of multicarrier BTS equipped with multicarrier receiver, if the BSS is declared to be suitable for co-location with systems in other frequency bands, as defined in step 9a), the level of the interfering signal shall be: +22 dBm

The Residual Bit Error Ratio (RBER) for the TCH/FS channel using class II bits and the Block Error Ratio (BLER) for one supported PDTCH/MCS-x with lowest number x and 8PSK modulation (x=5, if the BSS supports all coding schemes) and/or E-TCH/F43,2 NT channel or BLER (or BER) for the highest supported data speed shall be measured and if TCH/FS is not supported the BLER for the tested PDTCH/MCS-1 to MCS-4. All frequencies at which the RBER exceeds 10 % and/or at which the BLER exceeds 25 % or the BER exceeds 0,25 % respectively shall be recorded for further study. A relaxed statistical significance may be used for this measurement, compared to that of step 9).

BLOCKING TEST

- 8) If the preliminary test has been performed, this test shall be performed at all frequencies which have been recorded at step 7. If the preliminary test has not been performed, this test shall be performed at all frequencies specified in step 5. The test is always applicable, irrespective of if the preliminary test has been performed or not, for multicarrier BTS with multicarrier receiver when testing inband blocking frequencies.

The interfering signal shall be unmodulated, and shall have a level at the receiver input as specified in table 7.6-3. For GSM 700 normal BTS, GSM 850 normal BTS, MXM 850 normal BTS and MXM 1900 normal BTS at inband frequency offsets ≥ 3000 kHz the interfering signal shall be GMSK modulated by any 148-bit sequence of the 511-bit pseudo random bit sequence, defined in CCITT Recommendation 0.153 fascicle IV.4.

- 9) The channels below shall, if supported, be measured. All frequencies at which the limit below is exceeded shall be recorded. In case of multicarrier BTS with multicarrier receiver these frequencies shall be recorded separately for each wanted signal frequency.

Channel: TCH/FS Limit: $\text{classII}(\text{RBER}) = 2.0 \%$.

Channel: E-TCH/F43,2 NT
or for the highest supported data speed Limit: according to table 7.3-6

Channel: PDTCH/MCS-5
or, if not supported,
PDTCH/MCS-x with the
next higher supported number x Limit: according to table 7.3-6

Channel: PDTCH/MCS-1 to MCS-4
if TCH/FS is not supported Limit: according to table 7.3-6

For packet-switched channels, the tests and requirements apply for BTTI without PAN.

For this test, in band frequencies are defined in table 7.6-2:

Table 7.6-2: Definition of inband frequencies

Relevant band	Lower frequency band edge	Upper frequency band edge
TGSM810	786 MHz	831 MHz
PGSM900	870 MHz	925 MHz
EGSM900	860 MHz	925 MHz
RGSM900	856 MHz	921 MHz
DCS1800	1690 MHz	1805 MHz.
GSM 450	444.4 MHz	460.4 MHz;
GSM 480	472.8 MHz	488.8 MHz;
GSM 710	678 MHz	728 MHz;
GSM 750	763 MHz	813 MHz;
GSM 850 and MXM 850	804 MHz	869 MHz
PCS 1900 and MXM 1900	1830 MHz	1930 MHz

NOTE: The methodology for the measurement of BER is described in annex A.

In case of a multicarrier BTS with multicarrier receiver, the testing duration may be reduced by simultaneously testing different logical channels on different carriers. The error rate shall be evaluated separately for each wanted signal and over the identical time interval for all wanted signals, determined by the logical channel under test requiring the longest test duration.

- 9a) In case of multicarrier BTS, if the manufacturer declares that the BSS is suitable for co-siting with systems in other frequency bands, the following test shall be performed in addition:

Step 8) and 9) shall be repeated for the following frequency band(s) with interfering signal levels according to the co-siting case in table 7.6-3:

- for a BSS suitable for co-siting with a DCS 1800 BSS, the band 1805 – 1880 MHz.
- for a BSS suitable for co-siting with a GSM 900 BSS, the band 925 – 960 MHz.
- for a BSS suitable for co-siting with a R-GSM BSS, the band 921 – 960 MHz.
- for a BSS suitable for co-siting with a T-GSM810 BSS, the band 851 – 866 MHz.
- for a BSS suitable for co-siting with a GSM 400 BSS, the bands 460,4 – 467,6 MHz and 488,8 – 496,0 MHz.
- for a BSS suitable for co-siting with a GSM 700 BSS, the bands 728 – 746 MHz and 747 – 763 MHz.
- for a BSS suitable for co-siting with a GSM 850 BSS, the band 869 – 894 MHz.
- for a BSS suitable for co-siting with a PCS 1900 BSS, the band 1930 – 1990 MHz.

- for a BSS suitable for co-siting with a E-UTRA/FDD BS, the band 791 – 821 MHz.
- for a BSS suitable for co-siting with a UTRA/FDD BS, the band 2110 – 2170 MHz.
- for a BSS suitable for co-siting with a UTRA/TDD BS, the band 1900 – 1920 and 2010 – 2025 MHz.
- for a BSS suitable for co-siting with a E-UTRA/TDD BS, the band 2300 – 2400 MHz.
- for a BSS suitable for co-siting with a E-UTRA/FDD BS, the band 2620 – 2690 MHz.
- for a BSS suitable for co-siting with a E-UTRA/TDD BS, the band 2570 – 2620 MHz.
- for a BSS suitable for co-siting with a E-UTRA/TDD BS, the band 1880 – 1920 MHz.

f_0 is the frequency of the wanted signal

Table 7.6-3: Level of interfering signal for blocking

Frequency band	GSM 400 and GSM900 (dBm)						DCS1800 and PCS 1900 (dBm)					
	BTS	Multicarrier BTS (Note 3)	micro and pico-BTS				BTS	Multicarrier BTS (Note 3)	micro and pico-BTS			
			M1	M2	M3	P1			M1	M2	M3	P1
in - band:												
$f_0 \pm 600$ kHz	-26	-35	-31	-26	-21	-34	-35	-35	-40	-35	-30	-41
$800 \text{ kHz} \leq f-f_0 < 1.6 \text{ MHz}$	-16	-25 & -16	-21	-16	-11	-34	-25	-25	-30	-25	-20	-41
$1.6 \text{ MHz} \leq f-f_0 < 3 \text{ MHz}$	-16	-25 & -16	-21	-16	-11	-26	-25	-25	-30	-25	-20	-31
$3 \text{ MHz} \leq f-f_0 $	-13	-25 or -16	-21	-16	-11	-18	-25	-25	-30	-25	-20	-23
out - of - band	General	8	-15	8	8	8	8	0	-15	0	0	0
	Co-siting	8	16	8	8	8	8	0	16	0	0	0
	GSM 700, GSM 850 and MXM 850 (dBm)						MXM 1900 (dBm)					
Frequency band	BTS	Multicarrier BTS (Note 3)	micro and pico-BTS				BTS	Multicarrier BTS (Note 3)	micro and pico-BTS			
			M1	M2	M3	P1			M1	M2	M3	P1
in - band:												
$f_0 \pm 600$ kHz	-37	-37	-31	-26	-21	-34	-43	-43	-40	-35	-30	-41
$800 \text{ kHz} \leq f-f_0 < 1.6 \text{ MHz}$	-35	-35	-21	-16	-11	-34	-38	-38	-30	-25	-20	-41
$1.6 \text{ MHz} \leq f-f_0 < 3 \text{ MHz}$	-33	-33	-21	-16	-11	-26	-33	-33	-30	-25	-20	-31
$3 \text{ MHz} \leq f-f_0 $	-33	-33	-21	-16	-11	-18	-33	-33	-30	-25	-20	-23
out - of - band	General	8	-15	8	8	8	8	0	-15	0	0	0
	Co-siting	8	+16	8	8	8	8	0	+16	0	0	0
NOTE 1: f refers to the interfering blocker signal and f_0 refers to the wanted signal under test. In case of more than one wanted signal under test f_0 refers to each wanted signal under test as described in step 3b).												
NOTE 2: Micro and pico-BTS is not defined for GSM400.												
NOTE 3: In case of multicarrier BTS with multicarrier receiver for GSM 400 and GSM 900, for inband requirements for frequency offsets $800 \text{ kHz} \leq f-f_0 $ and blocking signal levels higher than -25 dBm, the power level of wanted signal in table 7.6-1 may be increased up to 5 dB for interfering signal levels lower than -20 dBm and up to 9 dB for interfering signal levels above -20 dBm. The relaxed values for multicarrier BTS are not applicable for GSM-R usage. The requirements for multicarrier BTS apply to BTS with multicarrier receiver. In case of multicarrier BTS with multicarrier receiver for GSM 400 and GSM 900, for inband requirements and for frequency offsets $ f-f_0 \geq 3 \text{ MHz}$, the interfering signal level depends on the interferer frequency according to following rule: -16 dBm, if the interferer frequency is a multiple of 400 kHz and -25 dBm else.												

For PGSM900 and EGSM900, the blocking level in the band 925 MHz to 935 MHz is relaxed to 0 dBm.

For RGSM900 at offsets $600 \text{ kHz} \leq |f-f_0| < 3 \text{ MHz}$, the blocking level in the band 876 MHz - 880 MHz shall be reduced by 5 dB.

Spurious response

- 10) This test shall be performed at all frequencies and channels which have been recorded at step 9. The interfering signal shall be unmodulated, and shall have a level of -43 dBm. In case of multicarrier BTS with multicarrier receiver the test shall be performed with simultaneous reception and evaluation of the number of wanted signals, as specified in step 3b).

- 11) The RBER for TCH/FS channel using class II bits and BLER for one supported PDTCH/MCS-x with lowest number x and 8PSK modulation (x=5, if the BSS supports all coding schemes) and/or BLER for E-TCH/F4,2 NT or BLER (or BER) for the highest supported data speed and, if TCH/FS is not supported, the BLER for the tested PDTCH/MCS-1 to MCS-4 shall be measured.

7.6.3 Essential conformance

Test environment

Normal: One TRX shall be tested.

Conformance Requirement

For step 9) (blocking), the recorded frequencies for the channel type tested shall meet all of the following requirements per wanted signal frequency under test:

- a) For measurement frequencies which are:

GSM 900: 45 MHz or less from the wanted signal, the total number does not exceed six.

GSM 850 and MXM 850: in band frequencies, the total number does not exceed six.

GSM 700 : in band frequencies, the total number does not exceed six.

DCS 1800: 95 MHz or less from the wanted signal, the total number does not exceed twelve.

PCS 1900 and MXM 1900: In band frequencies, the total number does not exceed twelve.

GSM 400: in band frequencies, the total number does not exceed three.

- b) For measurement frequencies which are:

GSM 900: 45 MHz or less from the wanted signal, no more than three are consecutive.

GSM 850 and MXM 850: in band frequencies, no more than three are consecutive.

GSM 700: in band frequencies, no more than three are consecutive.

DCS 1800: 95 MHz or less from the wanted signal, no more than three are consecutive.

PCS 1900 and MXM 1900: In band frequencies , no more than three are consecutive.

- c) For measurement frequencies which are:

GSM 900: more than 45 MHz from the wanted signal, the total number does not exceed twenty four.

GSM 850 and MXM 850: out band frequencies, the total number does not exceed twenty four.

GSM 700: out band frequencies, the total number does not exceed twenty four.

DCS 1800: more than 95 MHz from the wanted signal, the total number does not exceed twenty four.

PCS 1900 and MXM 1900: out band frequencies, the total number does not exceed twenty four.

GSM 400: out band frequencies, the total number does not exceed twenty four.

- d) For measurement frequencies which are:

GSM 900: more than 45 MHz below the wanted signal, no more than three are consecutive.

GSM 850 and MXM 850: out band frequencies below the wanted signal, no more than three are consecutive.

GSM 700: out band frequencies below the wanted signal, no more than three are consecutive.

DCS 1800: more than 95 MHz below the wanted signal, no more than three are consecutive.

PCS 1900 and MXM 1900: out band frequencies below the wanted signal, no more than three are consecutive.

GSM 400: out band frequencies below the wanted signal, no more than three are consecutive.

- e) For multicarrier BTS equipped with multicarrier receiver the requirements in a) and b) above apply for inband frequencies on all frequency bands. Similarly the requirements in c) and d) apply for out band frequencies on all frequency bands.

For step 11) (spurious response), the limits below shall never be exceeded.

Channel: TCH/FS Limit: classII (RBER) = 2.0 %.

Channel: E-TCH/F43,2 NT
or the highest supported data speed Limit: according to table 7.3-6

Channel: PDTCH/MCS-5
or, if not supported,
PDTCH/MCS-x with the
next higher supported number x Limit: according to table 7.3-6

Channel: PDTCH/MCS-1 to MCS-4
if TCH/FS is not supported Limit: according to table 7.3-6

For packet-switched channels, the tests and requirements apply for BTTI without PAN.

7.6.4 Complete conformance

The requirements of essential conformance shall apply.

In addition for the multicarrier BTS equipped with multicarrier receiver, declared suitable for co-siting, the limits below shall never be exceeded for each supported frequency band in test 9a).

Channel: TCH/FS Limit: classII (RBER) = 2.0 %.

Channel: E-TCH/F43,2 NT
or the highest supported data speed Limit: according to table 7.3-6

Channel: PDTCH/MCS-5
or, if not supported,
PDTCH/MCS-x with the
next higher supported number x Limit: according to table 7.3-6

Channel: PDTCH/MCS-1 to MCS-4
if TCH/FS is not supported Limit: according to table 7.3-6

7.6.5 Requirements reference

3GPP TS 45.005 subclause 5.1.

7.7 Intermodulation characteristics

7.7.1 Test Purpose

This test measures the linearity of the receiver RF parts. It expresses the capability of the receiver to receive a wanted modulated signal without exceeding a given degradation due to the presence of two or more unwanted signals with a specific frequency relationship to the wanted signal frequency.

7.7.2 Test Case

If SFH is supported by the BSS, it shall be disabled during this measurement. The measurement is performed only under static conditions. The measurement shall be performed for the radio frequency channels B, M and T and for the supported channels in table 7.7-1. As a minimum, one time slot shall be tested on one TRX to be tested.

Three signals shall be applied to the receiver via a combining network. The powers of the signals are measured at the receiver antenna connector.

The wanted signal shall have a power level as defined in table 7.7-1. Only wanted signals with BTTI and no PAN need to be tested.

The second signal is an interfering signal, GMSK modulated by a pseudo-random bit sequence, and shall be 1.6 MHz above the wanted signal frequency. During the useful part of the burst of the wanted signal, the modulation of this interfering signal shall be any 148-bits subsequent of the 511-bits sequence, defined in CCITT Recommendation O.153 fascicle IV.4., and the power shall be -43 dBm for GSM 400, GSM 700, GSM 900, GSM 850 and MXM 850 and -49 dBm for DCS1800, PCS 1900 and MXM 1900.

NOTE: This signal can be a continuous signal modulated by the 511-bits sequence.

The third signal is an interfering signal and shall be unmodulated. It shall be 800 kHz above the wanted signal frequency, and the power shall be -43 dBm for GSM 400, GSM 700, GSM 900, GSM 850 and MXM 850 and -49 dBm for DCS1800, PCS 1900 and MXM 1900.

The various signals are illustrated in figure 7.7-1.

If BSS supports both EGPRS and ECSD, it is not necessary to perform testing in both modes. If ECSD channel other than E-TCH/F43.2 NT is to be measured a wanted signal level 3 dB above the test signal level specified in subclause 7.3 shall be used. If TCH/FS is not supported, the highest supported of PDTCH/MCS-1 to MCS-4 shall be measured using a wanted signal level 3 dB above the test signal level specified in subclause 7.3.

Table 7.7-1: Wanted signal level for testing of Intermodulation Characteristics

BTS Type	Power level of Wanted Signal						
	TCH/FS	E-TCH/ F43.2 NT	PDTCH/ MCS-5	PDTCH/ MCS-6	PDTCH/ MCS-7	PDTCH/ MCS-8	PDTCH/ MCS-9
GSM 400/GSM850/GSM900/ GSM700/DCS1800/PCS 1900/MXM 850/MXM 1900 BTS	-101 dBm	-94 dBm	-98 dBm	-96.5 dBm	-93 dBm	-90 dBm	-88.5 dBm
GSM900/ GSM700/GSM850/MXM 850 micro-BTS M1	-94 dBm	-87 dBm	-91 dBm	-89.5 dBm	-86 dBm	-83 dBm	-81.5 dBm
GSM900/ GSM700/GSM850/MXM 850 micro-BTS M2	-89 dBm	-82 dBm	-86 dBm	-84.5 dBm	-81 dBm	-78 dBm	-76.5 dBm
GSM900/ GSM700/GSM850/MXM 850 micro-BTS M3	-84 dBm	-77 dBm	-81 dBm	-79.5 dBm	-76 dBm	-73 dBm	-71.5 dBm
GSM900/ GSM700/GSM850/MXM 850 pico-BTS P1	-85 dBm	-78 dBm	-82 dBm	-80.5 dBm	-77 dBm	-74 dBm	-72.5 dBm
DCS1800/PCS 1900/ MXM 1900 micro-BTS M1	-99 dBm	-92 dBm	-96 dBm	-94.5 dBm	-91 dBm	-88 dBm	-86.5 dBm
DCS1800/PCS 1900/ MXM 1900 micro-BTS M2	-94 dBm	-87 dBm	-91 dBm	-89.5 dBm	-86 dBm	-83 dBm	-81.5 dBm
DCS1800/PCS 1900/ MXM 1900 micro-BTS M3	-89 dBm	-82 dBm	-86 dBm	-84.5 dBm	-81 dBm	-78 dBm	-76.5 dBm
DCS1800/PCS 1900/ MXM 1900 pico-BTS P1	-92 dBm	-85 dBm	-89 dBm	-87.5 dBm	-84 dBm	-81 dBm	-79.5 dBm

NOTE: TCH/FS and E-TCH/F43.2 are not applicable for MXM850 and 1900

The unprotected class II bits obtained from the BSS receiver after channel decoding and before any extrapolation shall be compared with the unprotected class II bits originating from the BSSTE.

The RBER of the TCH/FS class II bits and BLER of one supported PDTCH/MCS-x with lowest number x and 8PSK modulation (x=5, if the BSS supports all coding schemes) and E-TCH/F43,2 NT or BLER (or BER) of the highest

supported data speed and, if TCH/FS is not supported, the BLER for the tested PDTCH/MCS-1 to MCS-4 shall be measured.

The measurement shall be repeated with the unwanted signal frequencies below the carrier frequency of the wanted signal.

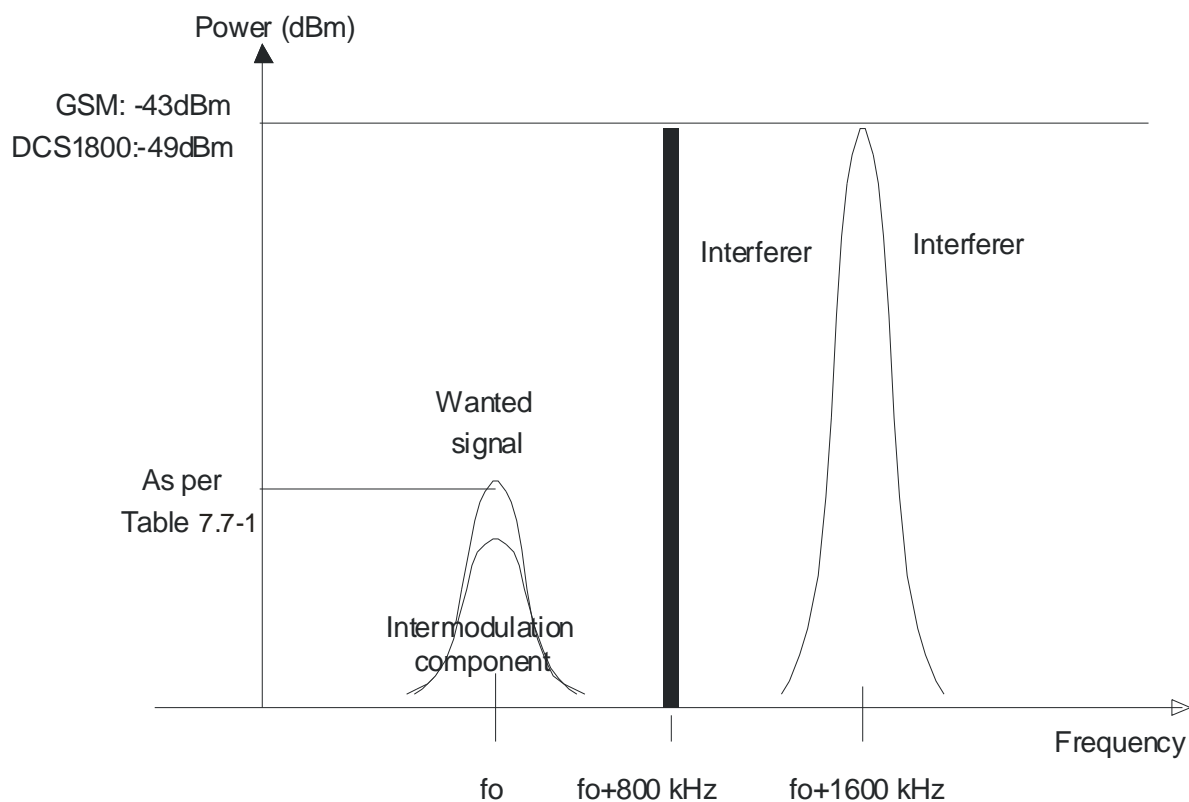


Figure 7.7-1: Example of RX intermodulation rejection

7.7.3 Essential conformance

Test Environment:

Normal: One TRX shall be tested.

Conformance Requirement

The RBER of TCH/FS Class II shall not exceed 2.0 %.

The BLER of E-TCH/F43.2 NT shall not exceed 10 % or BLER (or BER) of the highest supported data speed shall not exceed the values given in table 7.3-6.

The BLER of PDTCH/MCS-5
or, if not supported, of PDTCH/MCS-x
with the next higher supported number x shall not exceed 10 %.

For packet-switched channels, the tests and requirements apply for BTTI without PAN.

If TCH/FS is not supported the BLER of the tested PDTCH/MCS-1 to MCS-4 shall not exceed the values given in table 7.3-6.

NOTE: This conformance requirement together with conformance to subclause 7.5 (Reference Interference Level) is sufficient to demonstrate compliance to 3GPP TS 45.005 subclause 5.3 for all logical channel types.

7.7.4 Complete conformance

Test Environment:

Test Environment: Each TRX shall be tested

Conformance Requirement

The RBER of TCH/FS Class II shall not exceed 2.0 %.

The BLER of E-TCH/F43.2 NT shall not exceed 10 % or BLER (or BER) of the highest supported data speed shall not exceed the values given in table 7.3-6.

The BLER of PDTCH/MCS-5
or, if not supported, of PDTCH/MCS-x
with the next higher supported number x shall not exceed 10 %.

For packet-switched channels, the tests and requirements apply for BTTI without PAN

If TCH/FS is not supported the BLER of the tested PDTCH/MCS-1 to MCS-4 shall not exceed the values given in table 7.3-6.

NOTE: This conformance requirement together with conformance to subclause 7.5 (Reference Interference Level) is sufficient to demonstrate compliance to 3GPP TS 45.005 subclause 5.3 for all logical channel types.

7.7.5 Requirement Reference

3GPP TS 45.005 subclause 5.3.

7.8 AM suppression

7.8.1 Test Purpose

AM suppression is a measure of the ability of a BSS receiver to receive a wanted GSM modulated signal without exceeding a given degradation due to the presence of an unwanted modulated signal.

7.8.2 Test Case

If Slow Frequency Hopping (SFH) is supported by the BSS, it shall be disabled during this measurement. The measurement is performed only under static conditions.

- a) In case of BTS without multicarrier receiver

This test shall be performed at any one ARFCN on one TRX and on supported channels in table 7.8-1.

- b) In case of multicarrier BTS equipped with multicarrier receiver

The BTS shall be configured according to subclause 4.10.10 with the maximum supported number of wanted input signals or four, whichever less, applied for supported channels at a signal level as specified in table 7.8-1 at the receiver input. The frequencies of the wanted signals are allocated within the maximum Base Station RF bandwidth as symmetrically located as possible around center frequency of the maximum Base Station RF bandwidth with two wanted signals at frequencies 6.0 MHz from the interfering signal, and the remaining wanted signals located at the edges of the maximum supported RF bandwidth, as long as the frequency separation in the respective frequency pairs is at least 600 kHz, as indicated in figure 7.8-1.

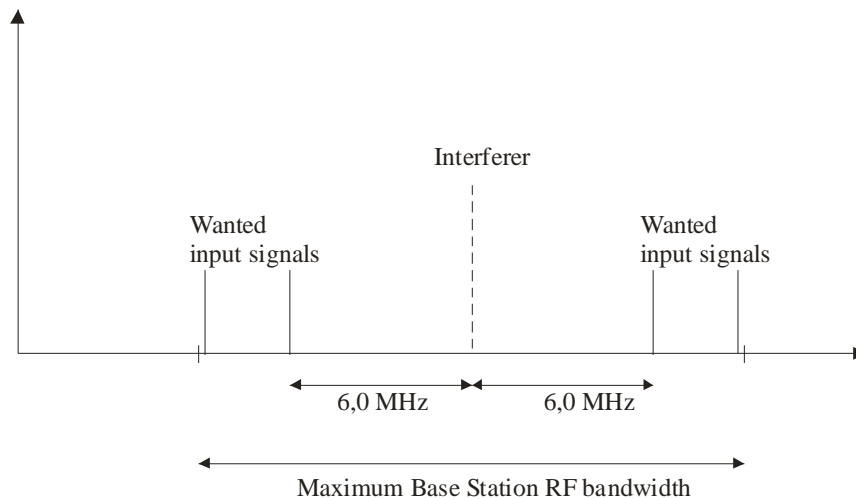


Figure 7.8-1 Allocation of wanted signals and interferer

If the maximum Base Station RF bandwidth does not allow allocating the signals at 6 MHz and more on each side of the interferer according to the description above, the frequency of the interferer is allocated to keep frequency separation to the wanted signals on one side of the interferer fixed at ≥ 6 MHz as described above and the wanted signal(s) are still allocated at the edge of the maximum Base Station RF bandwidth with 600 kHz frequency separation within the respective frequency pairs, if applicable.

NOTE: If the maximum number of supported wanted signals is three, above description implies that the outer signal with the smallest frequency separation to the interferer is left out compared to the four-signal setup. If the maximum number of supported wanted signals is two, both outer signals are left out.

The wanted signal shall have the same normal GSM modulation with a power level as defined in table 7.8-1.

If BSS supports both EGPRS and ECSD, it is not necessary to perform testing in both modes. If ECSD channel other than E-TCH/F43.2 NT is to be measured a wanted signal level 3 dB above the test signal level specified in subclause 7.3 shall be used. If TCH/FS is not supported, the highest supported of PDTCH/MCS-1 to MCS-4 shall be measured using a wanted signal level 3 dB above the test signal level specified in subclause 7.3.

Table 7.8-1: Test signal input level

BTS Type	Test signal Input Level to receiver TCH/FS	Power level of Wanted Signal					
		E-TCH/F43.2 NT	PDTCH/MCS-5	PDTCH/MCS-6	PDTCH/MCS-7	PDTCH/MCS-8	PDTCH/MCS-9
GSM400/GSM700/GSM850/MXM850/GSM900/DCS1800/PCS1900/MXM1900 BTS	-101 dBm	-94 dBm	-98 dBm	-96.5 dBm	-93 dBm	-90 dBm	-88.5 dBm
GSM900/GSM700/GSM850/MXM850 micro-BTS M1	-94 dBm	-87 dBm	-91 dBm	-89.5 dBm	-86 dBm	-83 dBm	-81.5 dBm
GSM900/GSM700/GSM850/MXM850 micro-BTS M2	-89 dBm	-82 dBm	-86 dBm	-84.5 dBm	-81 dBm	-78 dBm	-76.5 dBm
GSM900/GSM700/GSM850/MXM850 micro-BTS M3	-84 dBm	-77 dBm	-81 dBm	-79.5 dBm	-76 dBm	-73 dBm	-71.5 dBm
GSM900/GSM700/GSM850/MXM850 pico-BTS P1	-85 dBm	-78 dBm	-82 dBm	-80.5 dBm	-93 dBm	-74 dBm	-72.5 dBm
DCS1800/PCS1900/MXM1900 micro-BTS M1	-99 dBm	-92 dBm	-96 dBm	-94.5 dBm	-91 dBm	-88 dBm	-86.5 dBm
DCS1800/PCS1900/MXM1900 micro-BTS M2	-94 dBm	-87 dBm	-91 dBm	-89.5 dBm	-86 dBm	-83 dBm	-81.5 dBm
DCS1800/PCS1900/MXM1900 micro-BTS M3	-89 dBm	-82 dBm	-86 dBm	-84.5 dBm	-81 dBm	-78 dBm	-76.5 dBm
DCS1800/PCS1900/MXM1900 pico-BTS P1	-92 dBm	-85 dBm	-89 dBm	-87.5 dBm	-84 dBm	-81 dBm	-79.5 dBm

The interfering signal is GMSK modulated according to GSM characteristics (with or without a midamble) with a pseudo random bit sequence of at least 511 bits length.

NOTE 1: A 148-bit sequence of the 511-bit of a pseudo-random bit sequence as defined in CCITT Recommendation 0.153 fascile IV.4 is recommended.

i) In case of BTS without multicarrier receiver

The frequency (f) of the interfering signal shall be in the relevant receive band, at least 6 MHz separated from the ARFCN under test. Frequency f is an integer multiple of 200 kHz and at least 2 ARFCNs separated from any identified spurious response in step 9 of the test case in subclause 7.6.2.

ii) In case of multicarrier BTS with multicarrier receiver

The frequency (f) of the interfering signal shall be within the maximum Base Station RF bandwidth, at least 6 MHz separated from the ARFCN(s) under test. Frequency f is an integer multiple of 200 kHz and at least 2 ARFCNs separated from any identified spurious response in 9 in the test case in subclause 7.6.2.

The performances of the wanted signals at 6 MHz or more from the interferer are recorded simultaneously without reallocation of receiver resources during the test.

In case of a multicarrier BTS with multicarrier receiver, the testing duration may be reduced by simultaneously testing different logical channels on different carriers. The error rate shall be evaluated separately for each wanted signal and over the identical time interval for all wanted signals, determined by the logical channel under test requiring the longest test duration.

The interferer shall have one timeslot active, meeting the power/time mask of figure 6.4-1. The transmitted bursts shall be synchronized to but delayed in time between 61 and 86 symbol periods relative to the bursts of the wanted signal. The mean level of the interferer over the useful part of the burst is defined in table 7.8-2.

Table 7.8-2: Interfering signal level

	BTS (dBm)	Micro-BTS			Pico-BTS
		M1 (dBm)	M2 (dBm)	M3 (dBm)	P1 (dBm)
GSM 400	-31	-	-	-	-
GSM 900	-31	-34	-29	-24	-21
GSM 850	-31	-34	-29	-24	-21
MXM 850	-33	-34	-29	-24	-21
GSM 700	-31	-34	-29	-24	-21
DCS 1800	-35	-33	-28	-23	-26
PCS 1900	-35	-33	-28	-23	-26
MXM 1900	-35	-33	-28	-23	-26

All input signals shall be connected to the receiver via a combining network. The referred power level for all signals shall be the power into the BSS RX antenna connector.

NOTE 2: When testing this requirement, a notch filter may be necessary to ensure that the co channel performance of the receiver is not compromised.

7.8.3 Essential conformance

Test Environment:

Normal.

Conformance Requirement

For a TCH/FS the RBER of class II, class Ib and the FER the error performance shall not exceed the values given in table 7.3-6.

For a E-TCH/F43,2 NT the BLER or for the highest supported data speed the BLER (or BER) performance shall not exceed the values given in table 7.3-6.

For a PDTCH/MCS-5 or, if not supported, for a PDTCH/MCS-x with the next higher supported number x the BLER performance shall not exceed the values given in table 15.

For packet-switched channels, the tests and requirements apply for BTTI without PAN

If TCH/FS is not supported the BLER of the tested PDTCH/MCS-1 to MCS-4 shall not exceed the values given in table 7.3-6.

7.8.4 Complete conformance

Test Environment:

Normal.

Conformance Requirement

The requirements of essential conformance shall apply.

7.8.5 Requirement Reference

3GPP TS 45.005 subclause 5.2.

7.9 Spurious emissions from the receiver antenna connector

7.9.1 Test Purpose

Spurious emissions are emissions at frequencies other than those of the BTS transmitter ARFCNs and adjacent frequencies. This test measures spurious emissions from the BTS receiver antenna connector.

7.9.2 Test Case

The transmitter shall be configured with one TRX active. It shall be allocated to RF Channel M and shall transmit at full power on all time slots.

For a BTS equipped with diversity, the requirements of this subclause apply to each receiver dedicated antenna connector.

For a BTS equipped with a duplexer or duplexers, the requirements of subclause 6.6 apply to any antenna connector which is a port for both transmitter(s) and receiver(s). Therefore, this test need not be performed on these ports.

The receiver antenna connector shall be connected to a spectrum analyser or selective voltmeter with the same characteristic impedance.

The detecting device shall be configured as defined in table 7.9-1. Peak hold shall be enabled, and the video bandwidth shall be approximately three times the resolution bandwidth. If this bandwidth is not available on the detecting device, it shall be the maximum available, and at least 1 MHz. In case of multicarrier BTS with multicarrier receiver, RMS detector mode shall be enabled instead.

The power shall be measured over the frequency ranges specified in table 7.9-1.

Table 7.9-1: Measurement conditions for Conducted Emissions from the Receiver Antenna Connector

Frequency Band	Frequency offset	Resolution Bandwidth
100 kHz - 50 MHz		10 kHz
50 MHz - 500 MHz and outside the relevant transmit band	(offset from the edge of the relevant transmit band)	
	≥ 2 MHz	30 kHz
	≥ 5 MHz	100 kHz
500 MHz - 1 GHz and outside the relevant transmit band	(offset from the edge of the relevant transmit band)	
	≥2 MHz	30 kHz
	≥5 MHz	100 kHz
	≥10 MHz	300 kHz
	≥20 MHz	1 MHz
	≥30 MHz	3 MHz
1 GHz – 12,75 GHz and outside the relevant transmit band	(offset from the edge of the relevant transmit band)	
	≥2 MHz	30 kHz
	≥5 MHz	100 kHz
	≥10 MHz	300 kHz/ 1 MHz ^(NOTE)
	≥20 MHz	1 MHz
	≥30 MHz	3 MHz
Inside the relevant transmit band	(offset from the transmit carrier frequency)	
	≥1.8 MHz	30 kHz
	≥6 MHz	100 kHz

NOTE: 1 MHz measurement bandwidth applies only to BTS belonging to multicarrier BTS class equipped with multicarrier receiver.

7.9.3 Essential conformance

Test Environment:

Normal.

Conformance Requirement

The measured power shall not exceed:

-57 dBm for all frequencies up to 1 GHz.

-47 dBm for all frequencies above 1 GHz.

7.9.4 Complete conformance

The requirements of essential conformance shall apply.

7.9.5 Requirement Reference

3GPP TS 45.005 subclause 5.4.

8 Radiated spurious emissions

8.1 Test Purpose

This test measures radiated spurious emissions from the BSS cabinet, including emissions due to the transmitters. For a BTS with multiple enclosures according to clause 8.2 the BTS part with Radio digital unit and the Radio unit may be tested separately in alignment with requirements specified for such equipment operating UTRA [32] or E-UTRA [33], respectively.

8.2 Test Case

- a) A test site fulfilling the requirements of ITU-R SM.329-10 shall be used. The BTS shall be placed on a non-conducting support and shall be operated from a power source via an RF filter to avoid radiation from the power leads. The method of ITU-R SM.329-10 shall be used, except in any case where it conflicts with the present document.

Radiation of any spurious components shall be detected by the test antenna and measuring receiver (e.g. a spectrum analyser). At each frequency at which a component is detected, the BSS shall be rotated and the height of the test antenna adjusted to obtain maximum response, and the effective radiated power of that component determined by a substitution measurement. The measurement shall be repeated with the test antenna in the orthogonal polarization plane.

For BTS with single enclosure solution according to Fig. 8.2-1 and Fig. 8.2-2, radiated spurious emissions are measured from the BSS cabinet including emissions due to the transmitters from the radio equipment.

For BTS with multiple enclosure solution according to Fig. 8.2-1 and Fig. 8.2-3, radiated spurious emissions from the BTS part with radio digital unit and the radio unit may be tested separately.

The definition of enclosure port is aligned to [32] and [33] and is depicted below in Fig. 8.2-1. Further definitions are included in clause 3.1.

NOTE: For example, any connection point on an equipment intended for connection of cables to or from that equipment is considered as a port (see Fig. 8.2-1).

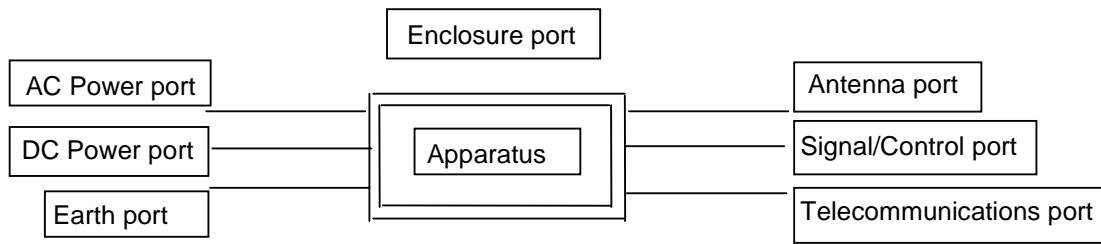


Figure 8.2-1: Examples of ports

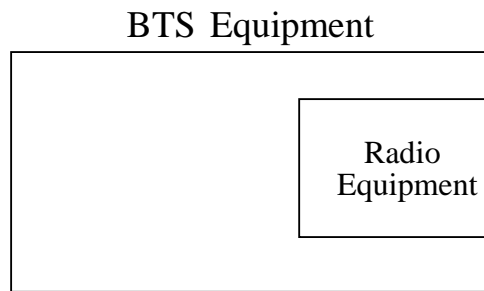


Figure 8.2-2: BTS with single enclosure solution

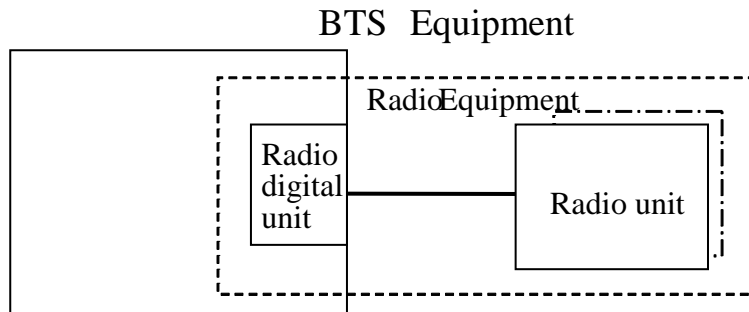


Figure 8.2-3: BTS with multiple enclosure solution

- b) The BTS shall be configured with one transmitter active, at its maximum output power on all time slots, on the specified ARFCNs. Slow frequency hopping shall be disabled.

NOTE: It may be necessary to take steps to ensure that emissions from other transmitters which are not active do not influence the results. This may be achieved by, for example, equipping the BTS with only one TRX or by muting the outputs of the transmitters to a greater degree than otherwise required in 3GPP TS 05.05 or 3GPP TS 45.005.

- c) The measuring receiver shall be configured with a resolution bandwidth of 30 kHz and a video bandwidth of approximately three times this value. Peak hold shall be enabled, except in case of multicarrier BTS where RMS detector mode applies. The received power shall be measured for frequencies with an offset of $1.8 \text{ MHz} \leq f < 6 \text{ MHz}$ from the carrier frequency, and which fall within the BTS relevant transmitter band.

At each frequency at which a component is detected, the maximum effective radiated power of that component shall be determined, as described in step a).

- d) The measuring receiver shall be configured with a resolution bandwidth of 100 kHz and a video bandwidth of approximately three times this value. Peak hold shall be enabled, except in case of multicarrier BTS where RMS detector mode applies. The received power shall be measured for frequencies with an offset of ≥ 6 MHz from the carrier frequency, and which fall within the BTS relevant transmitter band.

At each frequency at which a component is detected, the maximum effective radiated power of that component shall be determined, as described in step a).

- e) The BSS shall be configured with all transmitters active at their maximum output power on all time slots. If a TRX is designated as being a dedicated BCCH, it shall be allocated to RF channel M. All remaining TRXs shall be allocated in the following order; first to RF channel B, then to T, then distributed as evenly as possible throughout the BSS operating transmit band. Slow frequency hopping shall be disabled.

In case of multicarrier BTS the maximum number of supported carriers are active and operating at maximum declared power. The carriers are distributed over the maximum supported RF BW as defined in subclause 6.12.

The measuring receiver shall be configured as defined in table 8-1. Peak hold shall be enabled, and the video bandwidth shall be approximately three times the resolution bandwidth. If this video bandwidth is not available on the measuring receiver, it shall be the maximum available, and at least 1 MHz. In case of multicarrier BTS the RMS detector mode applies instead. The received power shall be measured over the frequency range 30 MHz to 12,75 GHz, excluding the BTS relevant transmitter band.

Table 8-1: Radiated spurious Emissions Measurements outside the transmit band

Frequency Band	Frequency offset	Resolution Bandwidth
30 MHz - 50 MHz		10 kHz
50 MHz - 500 MHz and outside the relevant transmit band	(offset from the edge of the relevant transmit band)	
	≥ 2 MHz	30 kHz
	≥ 5 MHz	100 kHz
500 MHz - 1 GHz and outside the relevant transmit band	(offset from the edge of the relevant transmit band)	
	≥ 2 MHz	30 kHz
	≥ 5 MHz	100 kHz
	≥ 10 MHz	300 kHz
	≥ 20 MHz	1 MHz
	≥ 30 MHz	3 MHz
1 GHz - 12,75 GHz and outside the relevant transmit band	(offset from the edge of the relevant transmit band)	
	≥ 2 MHz	30 kHz
	≥ 5 MHz	100 kHz
	≥ 10 MHz	300 kHz/ 1 MHz ^(NOTE)
	≥ 20 MHz	1 MHz
	≥ 30 MHz	3 MHz
NOTE: 1 MHz measurement bandwidth applies only to BTS belonging to multicarrier BTS class		

At each frequency at which a component is detected, the maximum effective radiated power of that component shall be determined, as described in step a).

8.3 Essential conformance

Test Environment:

- Normal: Inside the relevant TX band: The test shall be performed with the TRX active on one ARFCN.
 Outside the relevant TX band: The test shall be performed once.

Conformance Requirement

- a) The power measured at steps c) and d) shall not exceed -36 dBm.
 b) The power measured at step e) shall not exceed:

-36 dBm for frequencies up to 1 GHz.

-30 dBm for frequencies above 1 GHz.

8.4 Complete conformance

Test Environment:

Normal: Inside the relevant TX band: The test shall be performed three times with the TRX on one of the RF channels B, M, and T.

Outside the relevant TX band: The test shall be repeated until a measurement has been made with a TRX active on B, M and T.

NOTE: For a BSS with 3 or more TRX, this requires only one measurement.

Conformance Requirement

a) The power measured at steps c) and d) shall not exceed -36 dBm.

b) The power measured at step e) shall not exceed:

-36 dBm for frequencies up to 1 GHz.

-30 dBm for frequencies above 1 GHz.

8.5 Requirement reference

3GPP TS 45.005, subclause 4.3.

9 Radio link management

9.1 General

This clause describes the functions of the BSS which gain, maintain and release access to the radio link, the main objective being to provide a stable link for the higher protocol layers whilst hiding, as far as possible, the properties of the radiopath.

The detailed operation of these functions can be found in 3GPP TS 45.008 and 3GPP TS 45.010. Some requirements are also found in 3GPP TS 45.002.

9.2 Synchronization

The BSS provides control information to the MS so that its transmissions arrive at the BSS within the allocated timeslot window and within the correct frequency tolerance.

The following requirements related to synchronization are not tested in this subclause:

- 1) Absolute Frequency Tolerance.
This is tested in subclause 6.2

2) Relative Frequency Tolerance

It is not possible to verify by testing that the RF-frequencies of all the TRXs in a BSS are all derived from the same frequency source. This may be confirmed by a manufacturers declaration

3) Synchronization of Data Clocks

It is not possible to verify by testing that the BSS clocking and timebase are derived from the same frequency source used for RF generation. This may be confirmed by a manufacturers declaration.

9.2.1 Timing Tolerance

9.2.1.1 Test purpose

Description

The timing tolerance is the relative time between bits of the same bit number (BN) in timeslots of the same timeslot number (TN) and frame number (FN) transmitted simultaneously from two TRXs in one cell of the BSS.

9.2.1.2 Test case

For a BTS supporting only one TRX, this test is not performed.

If SFH is supported by the BSS, it shall be disabled during this test.

The TRX supporting the BCCH shall be used as the reference to measure the relative timing of the transmissions from different TRXs. The results shall be analysed to ensure that the relative timing between any two TRXs which are transmitted simultaneously meets the requirement.

- a) The BSSTE shall establish a TCH using timeslot 0 in the TDMA frame structure (TN=0) on a specific frequency.
- b) The relative timing between this frequency and the BCCH frequency shall be measured on the training sequence (BN=74). TDMA-frames carrying Frequency Correction bursts or Synchronization bursts (T3=0,1,10,11,20,21,30,31,40,41) shall be excluded. This measurement shall be repeated for at least 100 bursts and the average shall be calculated and recorded.
- c) Step a) and b) shall be carried out with the TCH at the RF channels B, M and T, but avoiding the use of the same frequency as the BCCH.
- d) Step c) shall be carried out with the BCCH at the RF channels B, M and T, but avoiding the use of the same frequency as the TCH. The BCCH frequency shall be offset to the closest used RF channel in case they coincide.
- e) Step d) shall be repeated for all other TRXs in the BSS.
- f) The timing measurement shall be used to establish the maximum time difference between any two TRXs operating in one cell.

9.2.1.3 Essential conformance

This test need not to be performed.

9.2.1.4 Complete conformance

Test environment

Normal

Conformance requirement

The timing difference (as established in step f)) between any two TRXs shall be no greater than 1/4 symbol, measured at the BSS antenna connector.

9.2.1.5 Requirement reference

3GPP TS 45.010.

9.3 Frame structure

This section verifies that the BSS correctly generates TDMA frames and is capable of receiving transmitted bursts from Mobile Stations generated according to GSM recommendations.

The following requirements relating to frame structure are not tested in this subclause:

- 1) The delay of three timeslots between uplink and downlink is tested implicitly in subclause 9.6
- 2) The SACCH multiframe structure is implicitly tested in transmitter bit exactness test of subclause 6.1.

9.3.1 BCCH Multiframe

9.3.1.1 Test purpose

Description

The BCCH multiframe consists of 51 TDMA frames. There is one BCCH logical channel per BSS, which broadcasts general information. The frequency information is carried on the Frequency Correction Channel (FCCH) and the synchronization is transmitted on the Synchronization Channel (SCH).

9.3.1.2 Test case

- a) The BSS is configured with one TRX configured to support a BCCH. This is monitored in the BSSTE.
- b) The BSSTE shall search for the Frequency Correction burst.
- c) The BSSTE shall then search for the Synchronization burst.

9.3.1.3 Essential conformance

This test need not to be performed.

9.3.1.4 Complete conformance

Test environment

Normal

Conformance requirements

- 1) The BSSTE shall detect Frequency Correction bursts at $T3 = 0, 10, 20, 30$ and 40 and for no other $T3$ ($T3 = FN \bmod 51$, $FN =$ TDMA frame number).
- 2) The BSSTE shall also detect synchronization bursts at $T3 = 1, 11, 21, 31,$ and 41 and for no other $T3$.
- 3) At the SCH the BSSTE shall detect the BSIC set up for the BTS/BSS. This applies to any BSIC. The BSSTE shall also detect the correct RFN for the various $T3$ s.

9.3.1.5 Requirement reference

3GPP TS 45.002 and 3GPP TS 45.010.

9.3.2 TDMA-frame structure

9.3.2.1 Test purpose

Description

One TDMA frame consists of eight timeslots, with an average length of 156.25 symbol periods. This may be achieved by setting all timeslots to be 156.25 symbol periods or setting timeslots 0 and 4 to 157 symbol periods and the remaining (1, 2, 3, 5, 6, 7) to 156 symbol periods. This section will test that the BSS conforms to the declared frame structure.

9.3.2.2 Test case

The BSS shall be configured to generate multiframe with a combination of logical channels which gives a contiguous stream of normal or dummy bursts as defined in 3GPP TS 45.002 for more than one frame. If SFH is supported by the BSS, it shall be disabled during this measurement.

The slot lengths will be measured between the leading edge of the 14th symbol of the training sequence for that timeslot and the leading edge of the 14th symbol of the training sequence for the next timeslot.

9.3.2.3 Essential conformance

This test need not to be performed.

9.3.2.4 Complete conformance

Test environment

Normal

Conformance requirements

The measurements shall conform to the frame structure 1) or 2) as declared by the manufacturer.

- 1) The length of each timeslot shall be 156.25 symbol periods.
- 2) The length of timeslots 0 and 4 shall be 157 symbol periods and the length of the remaining (1, 2, 3, 5, 6, 7) shall be 156 symbol periods.

9.3.2.5 Requirement reference

3GPP TS 45.002 and 3GPP TS 45.010.

9.4 Radio link measurements

Whilst calls are being established and for their duration, the reception quality shall be continuously assessed in the BSS as criteria for handover and RF power control algorithms. The following criteria may be employed in order to perform this assessment:

- Signal strength (RXLEV)
- Signal quality (RXQUAL)
- MS-BSS distance
- Idle channel level.

The handover and power control strategies based on above parameters are up to the operator.

Some test cases in this subclause assume that the manufacturer provides appropriate logical or physical test access to perform all tests in this subclause. The manufacturer may also show compliance to the requirements by other means agreed between the parties.

9.4.1 Signal Strength

9.4.1.1 Measurement Accuracy

9.4.1.1.1 Test purpose

Description

RXLEV is the received signal level measured at the BSS receiver input averaged over a reporting period of length of 1 SACCH multiframe for a TCH and a SDCCH. This test verifies the range and the accuracy of this parameter.

9.4.1.1.2 Test case

If the manufacturer does provide appropriate logical or physical access to perform all the tests in this subclause, the tests shall be performed according to the test cases below.

The manufacturer shall declare how many TRXs the BSS supports:

- 1 TRX: The test shall be performed on B, M, T
- 2 TRX: Tests shall be performed on B,M,T and both TRXs shall be tested on at least one frequency.
- 3 TRX or more: Three TRXs shall be tested, one on B, one on M and one on T.

If Slow Frequency Hopping (SFH) is supported by BSS, it shall be disabled during this test.

- a) A test signal with normal GSM modulation originated from the BSSTE shall be applied to the BSS RX antenna connector on one timeslot.
- b) The test signal level shall be adjusted over the level range -110.5 dBm to -47.5 dBm in 1 dB steps and shall be kept stable for one reporting period.
- c) The RXLEV measurements shall be performed under static propagation conditions only.

9.4.1.1.3 Essential conformance

This test need not to be performed.

9.4.1.1.4 Complete conformance

Test environment

Normal and extreme temperature
Conformance requirements

- 1) The RXLEV value shall nominally be mapped to the received signal level as in Table 9.4-1

Table 9.4-1: Signal level estimation requirements

RXLEV	Power level:
0	less than -110 dBm
1	-110 dBm to -109 dBm
2	-109 dBm to -108 dBm
.	.
.	.
62	-49 dBm to -48 dBm
63	greater than -48 dBm

- 2) For any input signals of level x_1 and x_2 dBm within the range -110 dBm to -48 dBm, where x_1 is above reference sensitivity in table 9.4-3, $x_1 < x_2$ and $(x_2 - x_1) < 20$ dB, the corresponding measured values y_1 and y_2 shall be such that

$$(x_2 - x_1) - a \leq (y_2 - y_1) \leq (x_2 - x_1) + b$$

where a and b are the tolerances given in table 9.4-2 (see 3GPP TS 45.008, 8.1.2).

Table 9.4-2: Tolerance for relative accuracy of received signal strength measurement

Absolute level of lower level signal x_i in dBm					Tolerance in dB	
normal-BTS	DCS1800, PCS 1900 and MXM 1900 micro-BTS M1	GSM900, GSM 700, GSM 850 and MXM 850 Micro-BTS M1 and DCS1800, PCS 1900 and MXM 1900 Micro BTS M2	GSM900, GSM 700, GSM 850 and MXM 850 micro-BTS M2 and DCS1800, PCS1900 and MXM 1900 micro BTS M3	GSM900, GSM 700, GSM 850 and MXM 850 micro-BTS M3	a	b
≥ -90	≥ -88	≥ -83	≥ -78	≥ -73	2	2
≥ -103	≥ -101	≥ -96	≥ -91	≥ -86	3	2
< -103	< -101	< -96	< -91	< -86	4	2

NOTE: It is optional for the BSS to be able to report values below the reference sensitivity in table 9.4-3. These specifications apply to measurements which are on the same or on different RF channel.

- 3) The RMS received signal level at the receiver input shall be measured with an absolute accuracy of ± 4 dB from -110 dBm to -70 dBm under normal conditions and ± 6 dB over the full range of -110 dBm to -48 dBm under both normal and extreme temperature conditions.
- 3) If the received signal level falls below the reference sensitivity level for the type of BSS then the BSS shall report a level within a range allowing for the absolute accuracy given in conformance requirement c) above. In case the upper limit of this range is below the reference sensitivity level for the type of BSS, then the upper limit shall be considered as equal to the reference sensitivity level in table 9.4-3.

Table 9.4-3: Reference sensitivity level

BTS Type	Reference sensitivity level
GSM 400/GSM900/ GSM700/GSM 850/DCS1800/PCS 1900/MXM 850/MXM 1900 BTS	-104 dBm
GSM900/ GSM700/GSM 850/MXM 850 micro-BTS M1	-97 dBm
GSM900/ GSM700/GSM 850/MXM 850 micro-BTS M2	-92 dBm
GSM900/ GSM700/GSM 850/MXM 850 micro-BTS M3	-87 dBm
GSM900/ GSM700/GSM 850/MXM 850 pico-BTS P1	-88 dBm
DCS1800/PCS 1900/ MXM 1900 micro-BTS M1	-102 dBm
DCS1800/PCS 1900/ MXM 1900 micro-BTS M2	-97 dBm
DCS1800/PCS 1900/ MXM 1900 micro-BTS M3	-92 dBm
DCS1800/PCS 1900/ MXM 1900 pico-BTS P1	-95 dBm

9.4.1.2 Selectivity of signal strength measurements

9.4.1.2.1 Test purpose

Description

The received signal level (RXLEV) defined in 9.4.1.1 shall be able to discriminate between wanted signal in actual RF channel and interfering signal in adjacent ARFCN's. This selectivity characteristic is tested in this subclause.

9.4.1.2.2 Test case

If the manufacturer does provide appropriate logical or physical access to perform all the tests in this subclause, the tests shall be performed according to the test cases below.

If Slow Frequency Hopping (SFH) is supported by BSS, it shall be disabled during this test.

- a) As a minimum the test shall be performed on one TRX on one timeslot on one ARFCN.

- b) One of the following test set-ups is used:

Test set-up A

Two input signals shall be connected to the receiver via a combining network. The test signal with normal GSM modulation shall have a power level 20 dB above the reference sensitivity level. The interfering signal shall be continuous, and have GSM modulation of pseudo-random bitstream without midamble

Test set-up B

The BSSTE shall establish a call set-up with the BSS and the RXLEV of the assigned channel shall be output from the BSS. The test signal with normal GSM modulation shall have a power level 20 dB above the reference sensitivity level.

- c) Register the signal strength (RXLEV value) with only the wanted signal present at the RX input port.
- d)
- i) In test set-up A repeat the measurements with interferer input signal frequency offset and input level increased for each offset according to table 9.4-4

Table 9.4-4: Interferer offset and input level for RXLEV selectivity measurements

Interferer frequency offset	Relative input level
±200 kHz	9 dB
±400 kHz	41 dB

- ii) In test set-up B repeat the measurements with the input signal at frequency offsets and signal levels according to table 9.4-5.

Table 9.4-5: Test signal offset and input level for RXLEV selectivity measurements

Frequency offset	Relative input level
200 kHz	16 dB
400 kHz	48 dB

- d) The measurements shall be performed under static propagation conditions only.

9.4.1.2.3 Essential conformance

This test need not to be performed.

9.4.1.2.4 Complete conformance

Test environment

Normal

Conformance requirements

The reported RXLEV value shall in test case d) not exceed

- the value in test case c) with more than 1 for test set-up A.
- the value in test case c) for test set-up B.

9.4.1.2.5 Requirement reference

3GPP TS 45.008, subclause 8.1

9.4.2 Signal quality

9.4.2.1 Test purpose

Description

The received signal quality (RXQUAL) is specified in terms of bit error ratio (BER) before channel decoding averaged over a reporting period of length of 1 SACCH multiframe on a TCH or a SDCCH.

This test verifies the range and the accuracy of this parameter

9.4.2.2 Test case

If the manufacturer does provide appropriate logical or physical access to perform all the tests in this subclause, the tests shall be performed according to the test cases below.

As a minimum the test shall be performed on one TRX on one timeslot on one ARFCN

- a) One of the following test set-ups is used:

Test set-up A

If Slow Frequency Hopping (SFH) is supported by BSS, it shall be enabled during this test for hopping on different ARFCN for all timeslots over the specified hopping bandwidth specified by the manufacturer.

A call shall be set up between the BSSTE and the BSS.

Test set-up B

If Slow Frequency Hopping (SFH) is supported by BSS, it shall be disabled during this test.

Two input signals originated from the BSSTE shall be connected to the receiver via a combining network. The test signal with normal GSM modulation shall have a power level 20 dB above the reference sensitivity level. The interfering signal shall be a random, continuous, GSM modulated signal on the same ARFCN. For test in TU50, each signal shall be connected through a multipath fading simulator (MFS) as described in Annex B1.

- b) The signal level (set-up A) and the interferer signal level (set-up B) respectively shall be varied such that the BER on the wanted TCH measured at the logical interface point before channel decoding in the BSS are within all the BER ranges for the RXQUAL values in table 9.4-6 in turn.
- c) The logical reference point before channel decoding may be obtained by using the unprotected class II bits after channel decoding before any extrapolation is applied. Half-rate channels are measured by first establishing a full-rate channel, measuring the error ratio and then establishing a half-rate channel and checking the indicated error ratio.
- d) For each BER range, 1000 RXQUAL values shall be recorded, and with and without uplink DTX.
- e) The measurement shall be performed under the propagation conditions static and TU50.

9.4.2.3 Essential conformance

This test need not to be performed.

9.4.2.4 Complete conformance

Test environment

Normal

Conformance requirements

- 1) Table 9.4-6 shows the minimum probability that, when on a TCH, a specified value of RXQUAL shall be reported for a BER within the range as indicated in the table under static propagation conditions.

- 2) Table 9.4-7 shows the minimum probability that, when on a TCH, a specified value of RXQUAL or an adjacent value shall be reported for a BER within the range as indicated in the table under TU50 multipath propagation conditions.

Table 9.4-6: Signal quality estimation requirements (static)

RXQUAL:	Range of actual BER:	Probability that correct RXQUAL band is reported shall exceed		
		Full rate:	Half rate	DTX:
0	< 0.10%	90 %	90 %	65 %
1	0.26% - 0.30 %	75 %	60 %	35 %
2	0.51% - 0.64 %	85 %	70 %	45 %
3	1.0% - 1.3 %	90 %	85 %	45 %
4	1.9% - 2.7 %	90 %	85 %	60 %
5	3.8% - 5.4 %	95 %	95 %	70 %
6	7.6% - 11.0%	95 %	95 %	80 %
7	> 15.0	95 %	95 %	85 %

NOTE 1: For the full-rate channel RXQUAL_FULL is based on 104 TDMA frames.

NOTE 2: For the half-rate channel RXQUAL_FULL is based on 52 TDMA frames.

NOTE 3: For the DTX-mode RXQUAL_SUB is based on 12 TDMA frames.

Table 9.4-7: Signal quality estimation requirements (TU50)

Expected RXQUAL_FULL:	Range of actual BER:	Probability that expected RXQUAL_FULL is reported shall exceed
0/1	< 0.10%	85 %
1/0/2	0.26% - 0.30 %	85 %
2/1/3	0.51% - 0.64 %	85 %
3/2/4	1.0% - 1.3 %	90 %
4/3/5	1.9% - 2.7 %	90 %
5/4/6	3.8% - 5.4 %	90 %
6/5/7	7.6% - 11.0%	90 %
7/6	> 15.0	90 %

9.4.2.5 Requirement reference

3GPP TS 45.008, subclause 8.2.

9.4.3 Idle channel signal level

9.4.3.1 Test purpose

Description

A procedure shall be implemented by which the BSS monitors the levels of interference on its idle traffic channels. These measurements are used for handover and channel allocation. This test verifies that BSS can measure signal strength including interference with appropriate accuracy on an idle channel. The measured signal strength of each idle channel is, after averaging, classified in one of five interference bands and reported to MSC on request in a RESOURCE INDICATION message. The report method, report period, averaging period and definition of interference band values are defined in a O&M message by the operator and the manufacturer. See 3GPP TS 08.08, subclauses 3.1.3, 3.2.18 and 3.2.2.48, and 3GPP TS 08.58 subclauses 8.6.1 and 9.3.21.

9.4.3.2 Test case

If the manufacturer does provide appropriate logical or physical access to perform all the tests in this subclause, the tests shall be performed according to the test cases below.

If the BSS is supporting SFH, this shall be disabled during this test.

The manufacturer shall declare how many TRXs the BSS supports:

- 1 TRX: The test shall be performed on B, M, T
 - 2 TRX: Tests shall be performed on B,M,T and both TRXs shall be tested on at least onefrequency.
 - 3 TRX or more: Three TRXs shall be tested, one on B, one on M and one on T.
- a) A GMSK signal modulated with pseudo-random bit sequences connected to BTS RX input.
 - b) The limits of the 5 possible interference bands, the reporting period and the averaging period are defined by the operator and the manufacturer.
 - c) The signal from the BSSTE shall be adjusted over the level range -110.5 dBm to -47.5 dBm in 1 dB steps.
 - d) The measured signal strength is recorded for each signal level.
 - e) The interference level expressed as one of the 5 possible interference level bands, included in the RF_RES_IND message, shall be stored for each idle channel.

9.4.3.3 Essential conformance

This test need not be performed.

9.4.3.4 Complete conformance

Test environment

Normal

Conformance requirement

- 1) The accuracy requirements 1)-4)for the measured signal strength in subclause 9.4.1.1.4 apply.
- 2) The measured signal levels shall be mapped into the interference level band defined in b) and the corresponding band value included in the RF_RES_IND message for each idle channel.

9.4.3.5 Requirement reference

3GPP TS 45.008 Annex A 3.1 e).

9.5 Adaptive frame alignment

9.5.1 Test purpose

Description

Adaptive frame alignment is the mechanism by which the timeslots transmitted by the MS are initially and dynamically adjusted in time so that the received timeslots in the BSS always fall within the correct time window. This mechanism is controlled by the BSS.

The adaptive frame alignment mechanism is needed since the guard time between timeslots in the timeslot structure is not long enough to cope with MS-BSS propagation delays due to absolute distance. The MS timing is initially adjusted (initial alignment) when accessing the BSS, and is then continuously adjusted for relative distance variations during the call (dynamic alignment).

The BSS continuously monitors the delay in the transmission from the MS relative to the expected signal from an MS at zero range. This is required to give Timing Advance information to the MS. This information of the delay (up to 63 or 219 symbols) may also be used as a criteria for initiating handover at the cell boundary (MAX_MS_RANGE).

This subclause also tests the MS-BSS distance assessment.

9.5.2 Test case

If Slow Frequency Hopping (SFH) is supported by the BSS, it shall be disabled during this measurement. The tests shall be performed at least on one TRX for the radio frequency channels B, M and T and for timeslots 0 (initial alignment) and 1 or other timeslot except 0 (dynamic alignment) respectively on the same TRX.

The tested timeslots shall be exposed to static propagation conditions.

For each MS emulated the signal strength shall be according to table 9.4-7. If other TCH than TCH/FS is to be used in the test, a input signal 3 dB below the test signal input level specified in subclause 7.3 shall be used.

Table 9.4-7: Input signal strength at test of adaptive time alignment

BTS Type	Input signal strength
GSM 400/GSM900/ GSM700/GSM 850/DCS1800/PCS 1900/MXM 850/MXM 1900 BTS	-107 dBm
GSM900/ GSM700/GSM 850/MXM 850 micro-BTS M1	-100 dBm
GSM900/ GSM700/GSM 850/MXM 850 micro-BTS M2	-95 dBm
GSM900/ GSM700/GSM 850/MXM 850 micro-BTS M3	-90 dBm
DCS1800/PCS 1900/ MXM 1900 micro-BTS M1	-105 dBm
DCS1800/PCS 1900/ MXM 1900 micro-BTS M2	-100 dBm
DCS1800/PCS 1900/ MXM 1900 micro-BTS M3	-95 dBm

To avoid a radio link time-out during the tests, the BSSTE may generate an uplink SACCH with a non-limiting signal strength including MEASUREMENT REPORT messages signalling high RXLEV and low RXQUAL values. This applies to the emulated MS when configured with an SACCH, i.e. configured with a dedicated channel.

- Initial alignment: Random access bursts shall be input on the RACH (timeslot 0) as often as possible using different random references .
- The emulated round-trip propagation delay shall be 3 different values corresponding to TA-values from 0 to 63 (0 to 219 for GSM 400) in turn (low, medium and high).
- The Timing Advance (TA) value reported to the MS shall be monitored and compared.
- Dynamic alignment: A TCH/FS (other TCH can be used if TCH/FS is not supported) shall be established between the BSSTE and the BSS.
- The emulated round-trip propagation delay of the MS shall vary corresponding to the vehicle speed of 500 km/h, starting from maximum MS-BSS distance moving close to the BSS and back.

The Timing Advance (TA) value signalled to the Mobile Station shall be monitored and compared.

9.5.3 Essential conformance

This test need not be performed

9.5.4 Complete conformance

Test environment

Normal

Conformance requirements

The difference DELTA between the emulated round-trip propagation delay and the signalled TA-value for the applicable timeslot shall be evaluated in symbols rounded to the nearest integer for at least 1000 pairs of timeslots, and shall have the following properties:

- For initial alignment, the mean of DELTA shall be not greater 0 +/- 1 symbol.
- For dynamic alignment, the mean of DELTA shall be not greater than 0 +/- 5/4 symbol.

3) Under all conditions the standard deviation of DELTA shall be less than 1 symbol.

NOTE: +/- 1 symbol tolerance is +/- 1/2 symbol for assessment error and +/- 1/2 symbol for quantization error.

NOTE: Requirement 1 above may need 1 additional symbol of tolerance if the BSS has an RX-TX delay tolerance of +/- 1 symbol.

The maximum allowed TA-value signalled to the MS is 63 symbols except for GSM 400 where it is 219 symbols.

9.5.5 Requirement reference

3GPP TS 45.010.

Annex A (informative): Testing of statistical parameters

When measuring statistical parameters like Bit Error Rates (BERs) or Frame Erasure Rates (FERs), the statistical nature of the error events may result in a natural variance in the observed test results. This variance will depend on the number of events observed. Consequently, due to such statistical limitations with the aim to reduce the test time to a minimum, some overall requirements should be met, indicating a certain confidence in the observed results.

Defining a "good" BSS as a BSS which on a long term basis (tested over an infinite time) meets the system requirement for an individual test, and a "bad" BSS as a BSS which on a long term basis fails the system requirement for an individual test, the overall requirements are the following:

- 1) The probability of passing a "good" BSS should be as high as possible.
- 2) The probability of passing a "bad" BSS should be as low as possible.

A.1 General theoretical methodology

Statistical parameters are measured as a number of error events M within a set of observed events (or samples) N , and the ratio M/N is used as the estimated value. This estimate has a given uncertainty due to the limited statistical material, i.e. the number of samples N . The general methodology to ensure correct PASS / FAIL decisions is outlined in the following.

Given a random variable X_i output from a random process indicating error/no error, the probability of an error is p and consequently, the probability of no error is $1-p$. The expected value $E(X_i)$ and variance $\text{Var}(X_i)$ as given in (Eq 1), according to the binomial probability distribution.

$$E(X_i) = p \quad (\text{Eq 1a})$$

$$\text{Var}(X_i) = p - p^2 \quad (\text{Eq 1b})$$

If the number of samples of the event is N , the average X of the random variables X_i is of interest, which has the expected value $E(X)$ and variance $\text{Var}(X)$ given in (Eq 2), assuming that the random variables X_i are independent.

$$E(X) = p \quad (\text{Eq 2a})$$

$$\text{Var}(X) = (p - p^2) / N \quad (\text{Eq 2b})$$

Assuming that the error probability p is small, the formula can be simplified as in (Eq 3).

$$E(X) = p \quad (\text{Eq 3a})$$

$$\text{Var}(X) = p / N \quad (\text{Eq 3b})$$

Furthermore, if the number of samples N is great, the probability density of X may be assumed to be Gaussian and the confidence intervals needed can easily be found.

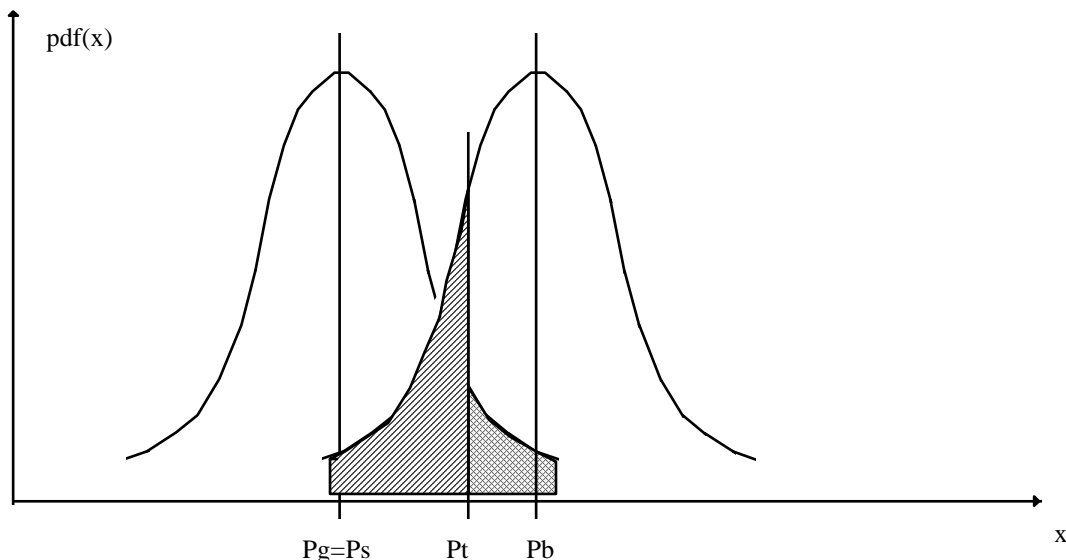
Assuming that a "good" BSS has the real performance P_g when measured over an infinite time and that a "bad" BSS has the corresponding performance P_b , the relationships to the system requirement P_s are the following:

$$P_g \leq P_s \quad (\text{Eq 4a})$$

$$P_b > P_s \quad (\text{Eq 4b})$$

Irrespective of the values of P_g and P_b , the aim would ideally be to guarantee that the probabilities of passing a "good" BSS, $P(\text{PASS}|P_g)$ and the probability of failing a "bad" BSS, $P(\text{FAIL}|P_b)$ are as high as possible. Given a certain P_g and a certain P_b , this can be done by increasing the number of samples N until the distributions around P_g and P_b are "narrow" enough, i.e. the variances are sufficiently reduced, so that there is sufficient space in between for a test requirement P_t with the required confidence. The principle is illustrated in figure A.1-1 with $P_g=P_s$.

In practice, the above ideal approach can not be used since when P_g or P_b get very close to P_s , the needed number of samples to reduce the variances would be infinite. However, what can be done is to represent P_g by the worst-case P_s and to have a certain confidence of failing a BSS which is a given amount worse than P_s , i.e. with a fixed P_b . This will, however, give less confidence in failing a "bad" BSS which has a performance closer to P_s . This is the exact principle illustrated in figure A.1-1.



P_s = system requirement

P_t = test requirement

P_g = real performance of a "good" BTS

P_b = real performance of a "bad" BTS

Figure A.1-1: Statistical testing

The test requirement P_t will then be as in equation (Eq 5) for the overall requirements depending on P_s and P_b , and on the needed number of samples N :

$$P_t = P_s + G (P_s/N)^{1/2} \tag{Eq 5a}$$

$$P_t = P_b - B (P_b/N)^{1/2} \tag{Eq 5b}$$

G and B are the ordinates (in fact the inverse Gaussian Q-function) giving the normalized Gaussian distribution confidence intervals required for passing a "good" BSS and failing a "bad" BSS, respectively.

Finally, if the ratio P_b/P_s is fixed, the number of samples is given by the following equations (Eq 6).

$$N = \frac{(G + \sqrt{K} B)^2}{(K - 1)^2 P_s} \tag{Eq6a}$$

$$P_b = K P_s \tag{Eq 6b}$$

A.2 Detailed theoretical methodology

The total number of statistical tests indicated in annex C (excluding blocking, intermodulation etc.) are:

GSM 900:95

DCS 1800: 96

and the rules of the tests are as follows:

- in order to pass a BSS it should pass all tests.
- a single test which fails should be repeated once. If the BSS fails a 2nd time, the BSS has failed.

This means that the overall probability of passing a good BSS through all the tests is lower than for the individual tests.

Taking into account the total of

GSM 900:95 tests,

DCS 1800: 96 tests,

assuming that the outcomes of the tests are independent, and requiring that the total probability of passing a "good" BSS should be equal to the total probability of failing a "bad" BSS, the overall confidence requirements in this annex should be as follows on a test by test basis:

$$P(\text{PASS}|P_s) \geq 99.9 \% \quad (\text{i.e. } G = 3.09)$$

$$P(\text{FAIL}|P_b) \geq 95.0 \% \quad (\text{i.e. } B = 1.65)$$

With the above assumptions, the total probabilities of passing a "good" BSS and failing a "bad" BSS will be around 91.0 %.

NOTE 1: If for some reason not all tests are carried out, then the probability of failing a "bad" BSS, $P(\text{FAIL}|P_b)$, should be increased accordingly.

Since the test requirement P_t will lie somewhere in between the system requirement P_s and P_b , and that an uncertainty in test equipment resulting from imperfections in the randomness of pseudo-random generators etc. can be expected to give errors of the order of $\pm 5\%$, the ratio P_b/P_s should be 2.

Under idealized assumptions, the resulting minimum number of samples needed to meet the overall confidence requirements is indicated as a function of the system requirement P_s using (Eq 6) in table A.2-1.

The ratio of the test requirement P_t to the system requirement P_s will in this case be:

$$P_t = 1.57 P_s$$

NOTE 2: It is possible to reduce the needed number of samples. In that case the ratio P_b/P_s should be increased, or the confidence levels should be reduced, see equation (Eq.5). It is preferable to keep the confidence and to increase P_b/P_s . However, the accepted error rate P_t , and P_b , should not deviate too much from the system requirement P_s , especially for high P_s . In order to have meaningful requirements it may even be desirable to reduce P_b/P_s for high P_s .

Table A.2-1: Minimum number of samples for statistical testing

Error rate P_s	Minimum number of samples
1.0 E-1	300
1.0 E-2	3 000
1.0 E-3	30 000
1.0 E-4	300 000
1.0 E-5	3 000 000

A.3 Limitations and corrections to the theoretical methodology

The idealized assumptions resulting in table A.2-1 are:

- 1) All random variables X_i (error events) are assumed to be independent.
- 2) The observed random variable X is assumed to have a Gaussian distribution.
- 3) All random variables X_i (error events) are assumed to be outputs of stationary random processes with identical distributions.
- 4) The system requirement P_s is assumed to be sufficiently small.

A.3.1 Independent errors

The assumption that all error events are independent does not strictly hold. The fact that error events are mutually dependent, would increase the variance of the observed random variable X , and consequently, the number of samples needed for the confidence required should be multiplied by some factor indicating the number of error events which on average are completely correlated.

- For FERs the events occur so seldom that the events may be regarded as independent (factor of 1), the exception being TCH/FS, FACCH, TCH/AxS which should have a factor of 2.
- Since a convolutional decoder on average will produce burst errors of the order of the constraint length, BERs and RBERs should have a factor of 5.

Generally, the situation will be such that a "good" BSS will have a performance P_g which is better than P_s . Consequently, the number of samples found in all cases by (Eq 6) should be multiplied by an additional factor of 2.

A.3.2 Gaussian distribution

The assumption of a Gaussian distribution for the observed random variable X should hold in most cases due to the high number of samples used.

A.3.3 Stationary random processes

The assumption that the error events are outputs of stationary random processes with identical distributions holds generally for static propagation conditions. However, for multipath propagation conditions this is not true. On the other hand, the multipath propagation condition may be assumed to be stationary for short periods of time. Taking into account the worst-case situation of flat fading where the distance between fades is a wavelength, the characteristics of the propagation condition may be assumed to change e.g. 10 times per wavelength and to be short term stationary in between. This means that all the different random variables X_i (error events) have a different p_i and consequently different $E(X_i)$ and $\text{Var}(X_i)$. Since all p_i are unknown and only the random variable X , which is the average of all X_i , is observed against a system requirement P_s , the statistical parameters of (Eq 7) result in the case of multipath propagation conditions assuming that all p_i are independent.

$$E(X) = \frac{1}{N} \sum_{i=1}^N p_i = p \quad (\text{Eq 7a})$$

$$\text{Var}(X) = \frac{p}{N} - \frac{1}{N^2} \sum_{i=1}^N p_i^2 \quad (\text{Eq 7b})$$

Also in this case the variance can (and should) be simplified to p/N if all p_i are small. However, in this case the second term of (Eq 7b) is dominated by the greatest p_i and the simplification is less valid than for static propagation conditions. Nevertheless, the needed number of samples given by (Eq 6) is conservative because the variance would ideally be lower. On the other hand, if the fact that the different p_i are likely to be correlated with positive correlation is taken into account, $\text{Var}(X)$ will increase and the simplification to p/N might be adequate.

Since under multipath conditions the observed random variable X results from an average of a set of random processes, we should ensure that the average takes into account a sufficient number of processes to get an overall stationary process. Requiring an average over 1000 wavelengths (or 10 000 processes if the multipath propagation condition is updated every 10th of a wavelength), the resulting observation period needed is indicated in table A.3-1 if the logical channel in question occupies the basic physical channel all the time. The percentage of the time "on the air" for the logical channel should also be taken into account and consequently, the observation period indicated in table A.3-1 will be increased by an inverse frame filling factor.

Table A.3-1: Required observation periods under multipath

Multipath condition	Time per Wavelength	Required observation period
TU1.5	800 ms	800s
TU3	400 ms	400 s
TU50	24 ms	24 s
HT100	12 ms	12 s
RA250	5 ms	5 s
RA130	9.6 ms	9.6 s
TI5	240 ms	240 s

A.3.4 Low error ratios

The assumption that the system requirement P_s is sufficiently small holds generally. However, when reaching a high P_s , e.g. around $10 E-1$, the approximation in (Eq 3) is not strictly accurate. However, using the correct variance would decrease the needed number of samples, so the assumptions give conservative results.

A.3.5 Total corrections

As a conclusion, the various limitations of the assumptions discussed in the above subclauses all lead to different increases of the needed number of samples to obtain the required confidence. The different increases should all be taken into account by taking the highest increase, and calculated number of samples are indicated in annex C. The overall confidence resulting is possibly slightly lower than 99.9 % and 95.0 %, but it should be quite close. Considering as well that the different tests are likely to be correlated, will make the overall probabilities of passing a "good" BSS and failing a "bad" BSS higher than indicated.

NOTE: The worst case in terms of test time it is the static sensitivity performance for the SACCH/T, giving 7,9 hours. On average, the test times are around 35,6 min and range from 5,0s.

A.4 Alternative experimental methodology

The alternative experimental methodology indicated in this subclause could be used to verify, or possibly modify, the needed number of samples indicated in the previous subclauses. This would be most useful in the case of multipath propagation conditions where the statistics are very complicated and can not easily fit into simple formulae.

The approach is indicated in the following, and should be carried out once and for all for each multipath propagation condition, for each logical channel and for each type of error event according to subclause A.5 to assess the needed number of samples. Then, it can be used ever after for any BSS.

- 1) Record the number of error events for N_p periods of N_s samples (events) under static propagation conditions for an average system requirement P_s and for a given type of error event on a given logical channel.
- 2) Estimate the error ratio $ER_i = M_i/N_s$ for each of the N_p periods.

- 3) Consider the average ER of all ER_i and estimate the expected value $E(ER)$ and the variance $Var(ER)$:

$$m = E(ER) = \frac{1}{N_p} \sum_{i=1}^{N_p} ER_i \quad (\text{Eq 8a})$$

$$s^2 = Var(ER) = \frac{1}{N_p} \sum_{i=1}^{N_p} ER_i^2 - m^2 \quad (\text{Eq 8b})$$

The test requirement P_t is found as follows:

$$P_t = P_s + G s \quad (\text{Eq 9a})$$

and

$$P_t = K P_s - B s \quad (\text{Eq 9b})$$

- 4) The test shall be repeated with a different number of samples N_s until the test requirement P_t differs with less than $\pm 5\%$ in (Eq 9a) and (Eq 9b).

The initial number of samples N_s should be as indicated in annex 3 and the number of tests N_p should be 100.

The average system requirement P_s should be around 1.0×10^{-2} . It can then be assumed that the needed number of samples N_s is inversely proportional to P_s .

A.5 Detailed definition of error events

- 1) Frame Erasure Ratio (FER):

The frame is defined as erased if the error detection functions in accordance with 3GPP TS 45.003 indicate an error. For full-rate speech this is the result of a 3 bit Cyclic Redundancy Check (CRC), for signalling the result of the FIRE code or other block code used. For data traffic the FER is not defined.

NOTE: For full-rate speech it would ideally be better if the Bad Frame Indication (BFI) is used as frame erasure indication since this is what is directly related to the subjective quality of the perceived speech. For the moment no requirements relate to the BFI, however, it is very difficult to assess what is subjectively the optimum combination of Frame Erasure Ratio (FER) and Residual Bit Error Ratio (RBER). This should therefore be avoided and it is essential that the BFI is optimized towards the ideal frame erasures independent of the processing to obtain it, and that the BFI is not biased towards BFI=0 or BFI=1.

- 2) Residual Bit Error Ratio (RBER):

The RBER is defined as the residual Bit Error Ratio (BER) in frames which have not been declared as erased.

- 3) Bit Error Ratio (BER):

The BER is the overall Bit Error Ratio (BER) independent of frame erasures or when erased frames are not defined.

Annex B (informative): Description of special test equipment

B.1 Base Station System Test Equipment (BSSTE)

The BSSTE is a functional tool for the purpose of acceptance testing of GSM Base Station Systems. The BSSTE functionally carries out all tests described in this equipment specification.

B.1.1 Fading and multipath propagation simulator

A Multipath Fading Simulator (MFS) is needed to perform some of the tests on the receiver, to simulate realistic wideband multipath propagation over the mobile radio channel (i.e. the path between the base station and mobile station antennas). The following set of standard multipath propagation conditions, as specified by COST 207 and described in 3GPP TS 45.005, are required:

- 1) Typical Urban terrain (TU)
- 2) Rural terrain (RA)
- 3) Hilly terrain (HT)

In addition the MFS needs to a special multipath profile, designed to verify the equalization capabilities of the receiver:

- 4) Equalizer (EQU)

The multipath profiles are used for a range of nominal vehicle speeds

GSM 900: From 3 km/h to 250 km/h. The speeds 3, 50, 100 and 250 km/h are used in particular.

DCS 1800: From 1.5 km/h to 130 km/h. The speeds 1.5, 50, 100 and 130 km/h are used in particular.

The details of the multipath conditions and the corresponding requirements on the MFS itself are to be found in 3GPP TS 11.10 (Mobile Station Conformity Specification).

The MFS is functionally a part of the BSSTE as described in this annex, but may physically be a separate piece of equipment.

B.2 Measurement set ups for TX intermodulation

The following test set-ups are examples for possible solutions for the measurements according to subclauses 6.7 and 6.8. These measurements are very difficult to perform due to the extreme requirements of the dynamic range. To get reproducible measurements precautions should be taken, so that non-linearity's in the test set-up do not influence the measurement results.

NOTE 1: Care should be exercised in creating the test set-up and good quality cables and connectors should be used. Cables should be physically secured and not disturbed unless necessary.

NOTE 2: Connectors should be free of ferro-magnetic substances. Different surface materials on both connectors as well as the applied torque of the connection have an influence on the intermod-performance.

NOTE 3: Power attenuators normally have an insufficient intermod-performance at high power input levels. Therefore it is recommended to use long cables for attenuation where high power is applied.

B.2.1 Test set-up for Intermodulation Attenuation (6.7.)

It is necessary to use different set-ups for the measurement of IM-products in the RX band and outside the RX band.

B.2.1.1 RX-Band

A recommended test set-up for the intermodulation attenuation in the receive band is illustrated in figure B.2-1. A directional coupler is used with the measurement performed on the primary line connector. Sufficient filtering is provided by the duplexer so that the spectrum analyser operates in its linear range. The injected signal is amplified and filtered to provide sufficient isolation to inhibit self generated intermodulation products in the test set-up.

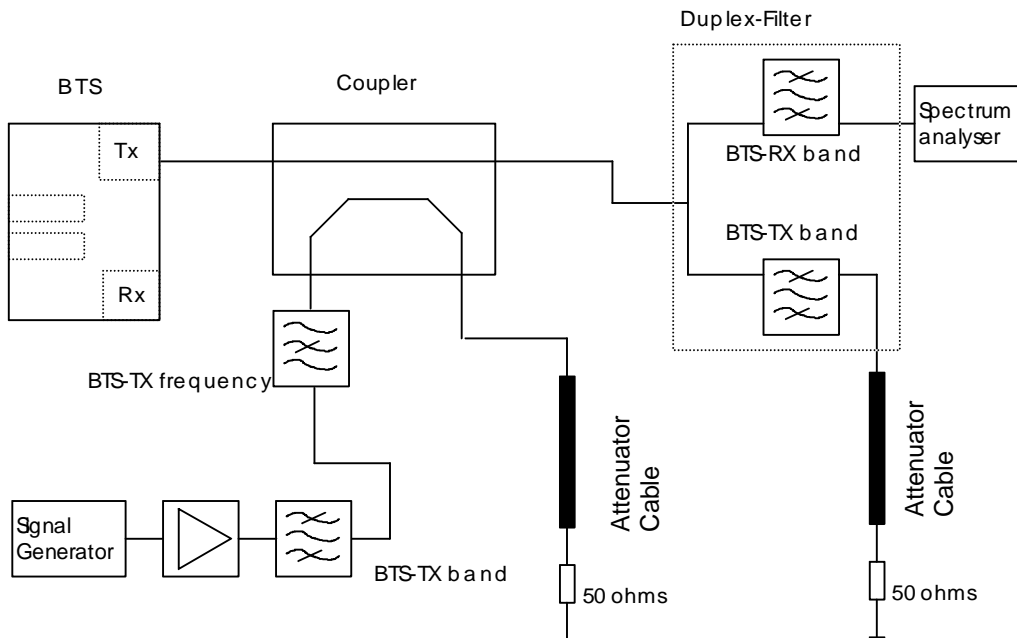


Figure B.2-1: Test set-up for Intermodulation Attenuation (6.7.) RX-Band

B.2.1.2 Outside RX Band

A recommended test set-up for the intermodulation attenuation outside the receive band is illustrated in figure B.2-2. The coupling device shall be specified to operate over sufficient bandwidth to comply with the measurement requirements.

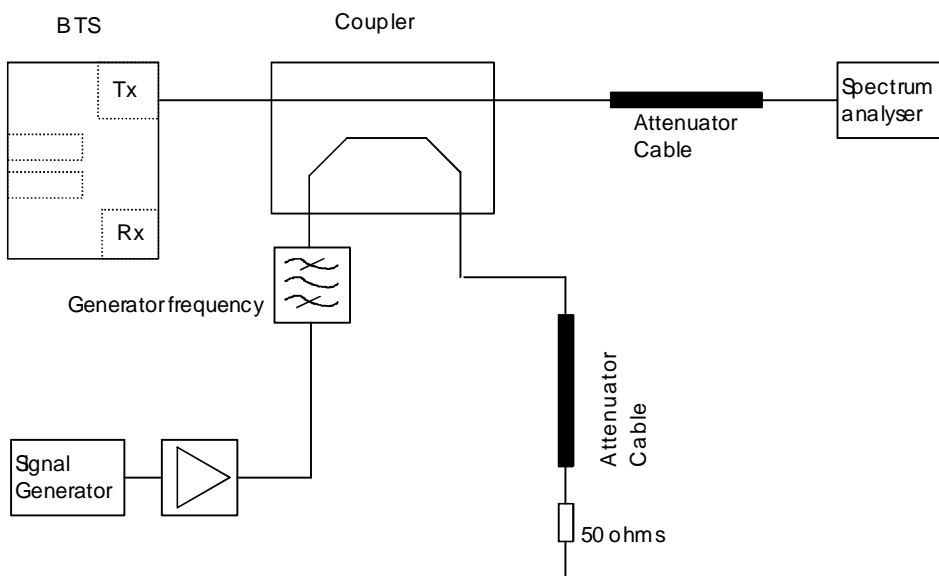


Figure B.2-2: Test set-up for Intermodulation Attenuation (6.7.) outside RX-Band

B.2.2 Test set-up for Intra BSS Intermodulation Attenuation (6.8.)

It is necessary to use different set-ups for the measurement of IM-products in the RX band and in the TX band.

B.2.2.1 RX-Band

A recommended test set-up for the intra base station intermodulation attenuation in the receive band is illustrated in figure B..2-3.

The stop band attenuation of the duplex filter has to be high enough to guarantee that the spectrum analyser is working in its linear range.

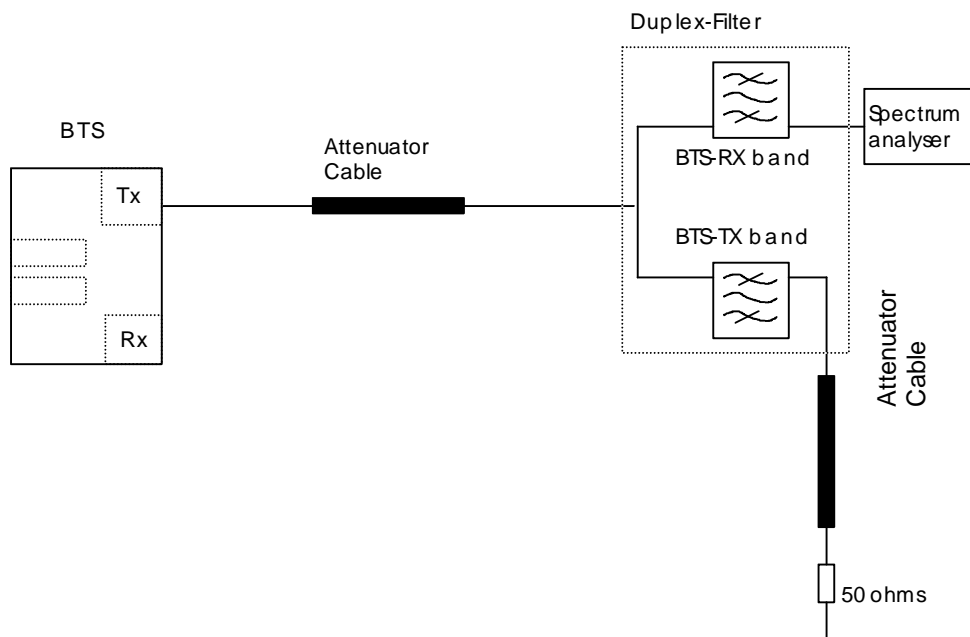


Figure B.2-3: Test set-up for Intra Base station Intermodulation Attenuation (6.8.) RX-Band

B.2.2.2 TX-Band

A recommended test set-up for the intra base station intermodulation attenuation inside the transmit band is illustrated in figure B..2-4. To decrease the dynamic range requirement of the spectrum analyser external filters should be used.

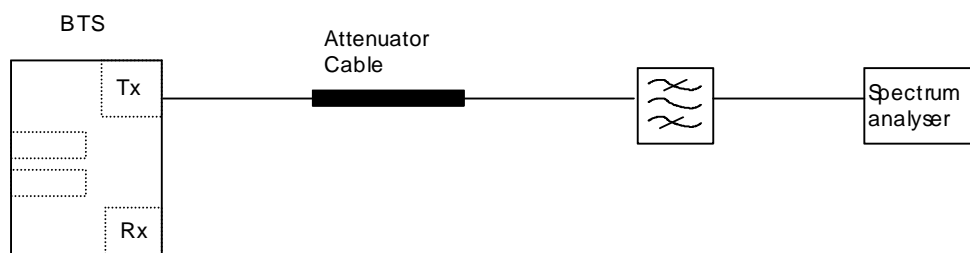


Figure B.2-4: Test set-up for Intra Base station Intermodulation Attenuation (6.8.) TX-Band

Annex C (informative): Number of samples needed for statistical testing

C.1 GSM 900; Number of samples for testing

GSM 900 SDCCH

(FER: 4.25 events/s, frame filling = 4/51)

Prop. cond.	Error rate	Stat. sign.	Indep. samples	Station. proc.	Samples:	Time: (s)
static	FER=0.10%	30 000	2	-	60 000	14 117.6
TU50	FER=13%	231	2	1 301	1 301	306.1
TU50 (SFH)	FER=8%	375	2	1 301	1 301	306.1
RA250	FER=8.0%	375	2	271	750	176.5
HT100	FER=12%	250	2	651	651	153.2
TU3	FER=22%	136	2	21 675	21 675	5 100.0
TU3(SFH)	FER=9%	333	2	21 675	21 675	5 100.0
TU50 (SFH)	FER=9%	333	2	1 301	1 301	306.1
TI5	FER=13%	231	2	13 005	13 005	3 060.0

GSM 900 RACH

(FER: 217 events/s, frame filling = 1)

Prop. cond.	Error rate	Stat. sign.	Indep. samples	Station. proc.	Samples:	Time: (s)
static	FER=0.50%	6 000	2	-	12 000	55.3
TU50	FER=13%	231	2	5 208	5 208	24.0
RA250	FER=12%	250	2	1 085	1 085	5.0
HT100	FER=13%	231	2	2 604	2 604	12.0
TU3	FER=15%	200	2	86 800	86 800	400.0
TU3(SFH)	FER=15%	200	2	86 800	86 800	400.0
TU50	FER=16%	188	2	5 208	5 208	24.0
RA250	FER=13%	231	2	1 085	1 085	5.0
TU50(SFH)	FER=13%	231	2	5 208	5 208	24.0
TI5	FER=13%	231	2	52 080	52 080	240.0
TU50(SFH)	FER=16%	188	2	5 208	5 208	24.0
TI5	FER=16%	188	2	52 080	52 080	240.0

GSM 900 SACCH/T

(FER: 2.1 events/s, frame filling = 1/26)

Prop. cond.	Error rate	Stat. sign.	Indep. samples	Station. proc.	Samples:	Time: (s)
static	FER=0.10%	30 000	2	-	60 000	28 571.4
TU50	FER=13%	231	2	1 311	1 311	624.3
TU50(SFH)	FER=8%	375	2	1 311	1311	624.3
RA250	FER=8.0%	375	2	273	750	357.1
HT100	FER=12%	250	2	656	656	312.4
TU3	FER=22%	136	2	21 840	21 840	10 400.0
TU3(SFH)	FER=9%	333	2	21 840	21 840	10 400.0
TU50(SFH)	FER=9%	333	2	1 311	1 311	624.3
TI5	FER=13%	231	2	13 104	13 104	6 240.0

GSM 900 SACCH/C

(FER: 2.13 events/s, frame filling = 4/102)

Prop. cond.	Error rate	Stat. sign.	Indep. samples	Station. proc.	Samples:	Time: (s)
static	FER=0.10%	30 000	2	-	60 000	28 169.0
TU50	FER=13%	231	2	1 304	1 304	612.2
TU50(SFH)	FER=8%	375	2	1 304	1 304	612.2
RA250	FER=8.0%	375	2	272	750	352.1
HT100	FER=12%	250	2	652	652	306.1
TU3	FER=22%	136	2	21 726	21 726	10 200.0
TU3(SFH)	FER=9%	333	2	21 726	21 726	10 200.0
TU50(SFH)	FER=9%	333	2	1 304	1 304	612.2
TI5	FER=13%	231	2	26 071	26 071	12 240

GSM 900 FACCH/F

(FER: 50 events/s, frame filling = 24/26)

Prop. cond.	Error rate	Stat. sign.	Indep. samples	Station. proc.	Samples:	Time: (s)
static	FER=0.10%	30 000	4	-	120 000	2 400.0
TU50	FER=8%	375	4	1 300	1 500	30.0
TU50(SFH)	FER=3.8%	789	4	1 300	3 156	63.1
RA250	FER=3.4%	882	4	271	3 528	70.6
HT100	FER=6.3%	476	4	650	1 904	38.1
TU3	FER=22%	136	4	21 667	21 667	433.3
TU3(SFH)	FER=3.4%	882	4	21 667	21 667	433.3
TU50	FER=9.5%	316	4	1 300	1 300	26.0
TU50(SFH)	FER=3.4%	882	4	1 300	1 300	70.6
RA250	FER=3.5%	857	4	271	3 428	68.6
TI5	FER=8.0%	375	4	13 000	13 000	260.0
TI5	FER=9.5%	316	4	13 000	13 000	260.0
TU50	FER=17.1%	176	4	1300	1300	26.0
TI5	FER=17.1%	176	4	13 000	13 000	260.0

GSM 900 FACCH/H

(FER: 25 events/s, frame filling = 12/26)

Prop. cond.	Error rate	Stat. sign.	Indep. samples	Station. proc.	Samples:	Time: (s)
static	FER=0.10%	30 000	4	-	120 000	4 800.0
TU50	FER=6.9%	435	4	1 300	1 740	69.6
RA250	FER=5.7%	526	4	271	2 104	84.2
HT100	FER=10%	300	4	650	1 200	48.0
TU3	FER=22%	136	4	21 667	21 667	866.7
TU3(SFH)	FER=6.7%	448	4	21 667	21 667	866.7
TU50	FER=6.7%	448	4	1 300	1 792	71.7
TU50(SFH)	FER=6.9%	435	4	1 300	1 740	69.6
TI5	FER=6.9%	435	4	13 000	13 000	520.0
TU50(SFH)	FER=6.7%	448	4	1 300	1 792	71.7
TI5	FER=6.7%	448	4	13 000	13 000	520.0

GSM 900 TCH/F9.6

(BER: 12000 events/s, frame filling = 24/26)

Prop. cond.	Error rate	Stat. sign.	Indep. samples	Station. proc.	Samples:	Time: (s)
static	BER=1.0E-5	3000 000	10	-	30000 000	2 500.0
TU50	BER=0.50%	6 000	10	312 000	312 000	26.0
TU50(SFH)	BER=0.4%	7 500	10	312 000	312 000	26.0
RA250	BER=0.10%	30 000	10	65 000	300 000	25.0
HT100	BER=0.70%	4 286	10	156 000	156 000	13.0
TU3	BER=8.0%	375	10	5200 000	5200 000	433.3
TU3(SFH)	BER=0.30%	10 000	10	5200 000	5200 000	433.3
TU50	BER=0.80%	3750	10	312 000	312 000	26.0
TU50(SFH)	BER=0.3%	10 000	10	312 000	312 000	26.0
RA250	BER=0.20%	15 000	10	65 000	150 000	12.5
TI5	BER=0.5%	6 000	10	3 120 000	3 120 000	260.0
TI5	BER=0.8%	3 750	10	3 120 000	3 120 000	260.0

GSM 900 TCH/H4.8

(BER: 6000 events/s, frame filling = 12/26)

Prop. cond.	Error rate	Stat. sign.	Indep. samples	Station. proc.	Samples:	Time: (s)
static	BER=1.0E-5	3000 000	10	-	30000 000	5 000.0
TU50	BER=0.50%	6 000	10	312 000	312 000	52.0
TU50(SFH)	BER=0.4%	7500	10	312 000	312 000	52.0
RA250	BER=0.10%	30 000	10	65 000	300 000	50.0
HT100	BER=0.70%	4 286	10	156 000	156 000	26.0
TU3	BER=8.0%	375	10	5200 000	5200 000	866.7
TU3(SFH)	BER=0.30%	10 000	10	5200 000	5200 000	866.7
TU50	BER=0.8%	3 750	10	312 000	312 000	52.0
TU50(SFH)	BER=0.3%	10 000	10	312 000	312 000	52.0
RA250	BER=0.20%	15 000	10	65 000	150 000	25.0
TI5	BER=0.5%	6 000	10	3 120 000	3 120 000	520.0
TI5	BER=0.8%	3 750	10	3 120 000	3 120 000	520.0

GSM 900 TCH/F4.8

(BER: 6000 events/s, frame filling = 24/26)

Prop. cond.	Error rate	Stat. sign.	Indep. samples	Station. proc.	Samples:	Time: (s)
TU50	BER=1.0E-4	300 000	10	156 000	3000 000	500.0
RA250	BER=1.0E-4	300 000	10	32 500	3000 000	500.0
HT100	BER=1.0E-4	300 000	10	78 000	3000 000	500.0
TU3	BER=3.0%	1 000	10	2600 000	2600 000	433.3
TU3(SFH)	BER=1.0E-4	300 000	10	2600 000	3000 000	500.0
TU50(SFH)	BER=1.0E-4	300 000	10	1 560 000	3 000 000	260.0
TI5	BER=1.0E-4	300 000	10	1 560 000	3 000 000	260.0

GSM 900 TCH/F2.4

(BER: 3600 events/s, frame filling = 24/26)

Prop. cond.	Error rate	Stat. sign.	Indep. samples	Station. proc.	Samples:	Time: (s)
TU50	BER=2.0E-04	1500 00	10	93 600	15000 00	416.7
RA250	BER=1.0E-5	3 000 000	10	3 900	30 000 000	8 333.3
HT100	BER=1.0E-5	3 000 000	10	46 800	30 000 000	8 333.3
TU3	BER=3.0%	1 000	10	1 560 000	1 560 000	433.3
TU3(SFH)	BER=1.0E-5	3 000 000	10	1 560 000	30 000 000	8 333.3
TU50	BER=3.0E-5	1 000 000	10	93 600	10 000 000	2 777.8
TU50(SFH)	BER=1E-05	3 000 000	10	93 600	30 000 000	8 333.3
TI5	BER=2.0E-4	150 000	10	936 000	1 500 000	416.7
TU50	BER=1.0 ^E -4	300 000	10	93 600	3 000 000	833.3
TI5	BER=1.0E-4	300 000	10	936 000	3 000 000	833.3

GSM 900 TCH/H2.4

(BER: 3600 events/s, frame filling = 12/26)

Prop. cond.	Error rate	Stat. sign.	Indep. samples	Station. proc.	Samples:	Time: (s)
TU50	BER=1.0E-4	300 000	10	187 200	3 000 000	833.3
RA250	BER=1.0E-4	300 000	10	39 000	3 000 000	833.3
HT100	BER=1.0E-4	300 000	10	93 600	3 000 000	833.3
TU3	BER=4.0%	750	10	3 120 000	3 120 000	866.7
TU3(SFH)	BER=1.0E-4	300 000	10	3 120 000	3 120 000	866.7
TU50	BER=2.0E-4	150 000	10	187 200	1 500 000	416.7
TU50(SFH)	BER=1.0E-04	300 000	10	187 200	3 000 000	833.3
TI5	BER=1.0E-4	300 000	10	1 872 000	3 000 000	833.3
TI5	BER=2.0E-4	150 000	10	1 872 000	1 872 000	520.0

GSM 900 TCH/FS

(FER: 50 events/s, RBER class Ib: 6600 events/s, RBER class II: 3900 events/s, frame filling = 24/26)

Prop. cond.	Error rate	Stat. sign.	Indep. samples	Station. proc.	Samples:	Time: (s)
static	FER=0.10%	30 000	4	-	120 000	2 400.0
Ib	RBER=0.40%	7 500	10	-	75 000	11.4
II	RBER=2.0%	1 500	10	-	15 000	3.8
TU50	FER=6.0%	500	4	1 300	2 000	40.0
Ib	RBER=0.40%	7 500	10	171 600	171 600	26.0
II	RBER=8.0%	375	10	101 400	101 400	26.0
TU50(SFH)	FER=3%	1 000	4	1 300	4 000	80.0
Ib	RBER=0.3%	10 000	10	171 600	171 600	26.0
II	RBER=8%	375	10	101 400	101 400	26.0
RA250	FER=2.0%	1 500	4	271	6 000	120.0
Ib	RBER=0.20%	15 000	10	35 750	150 000	22.7
II	RBER=7.0%	429	10	21 125	21 125	5.4
HT100	FER=7.0%	429	4	650	1 716	34.3
Ib	RBER=0.50%	6 000	10	85 800	85 800	13.0
II	RBER=9.0%	333	10	50 700	50 700	13.0
TU3	FER=21%	143	4	21 667	21 667	433.3
Ib	RBER=2.0%	1 500	10	2860 000	2 860 000	433.3
II	RBER=4.0%	750	10	1690 000	1 690 000	433.3
TU3(SFH)	FER=3.0%	1 000	4	21 667	21 667	433.3
Ib	RBER=0.20%	15 000	10	2860 000	2 860 000	433.3
II	RBER=8.0%	375	10	1690 000	1 690 000	433.3
TU50(SFH)	FER=3%	1 000	4	1 300	4 000	80.0
Ib	RBER=0.2%	15 000	10	171 600	171 600	26.0
II	RBER=8%	375	10	101 400	101 400	26.0
RA250	FER=3.0%	1 000	4	271	4 000	80.0
Ib	RBER=0.20%	15 000	10	35 750	150 000	22.7
II	RBER=8.0%	375	10	21 125	21 125	5.4
static II	RBER=1.0E-4	300 000	10	-	3 000 000	769.2
EQU50 II	RBER=3.0%	1 000	10	101 400	101 400	26.0
static	FER=5%	600	4	-	2400	48.0
TI5	FER=6%	500	4	13 000	13 000	260.0
Ib	RBER=0.4%	7500	10	1 716 000	1 716 000	260.0
II	RBER=8.0%	375	10	1 014 000	1 014 000	260.0
TU50	FER=10.2%	294	4	1 300	1 300	26.0
Ib	RBER=0.72%	4167	10	171 600	171 600	26.0
II	RBER=8.8%	341	10	101 400	101 400	26.0
TI5	FER=10.2%	294	4	13 000	1 300	26.0
Ib	RBER=0.72%	4167	10	1 716 000	1 716 000	260.0
II	RBER=8.8%	341	10	1 014 000	1 014 000	260.0

GSM 900 TCH/F14.4

(BER: 14500 events/s, frame filling = 24/26)

Prop. cond.	Error rate	Stat. Sign.	Indep. samples	Station. proc.	Samples:	Time: (s)
static	BER=1.0E-5	3 000 000	10	-	30 000 000	2 069.0
TU50	BER=2.5%	1 200	10	377 000	377 000	26.0
TU50(SFH)	BER=2.0%	1 500	10	377 000	377 000	26.0
RA250	BER=2.0%	1 500	10	78 542	78 542	5.4
HT100	BER=5.0%	600	10	188 500	188 500	13.0
TU3	BER=10.0%	300	10	6 283 333	6 283 333	433.3
TU3(SFH)	BER=3.0%	1000	10	6 283 333	6 283 333	433.3
TU50(SFH)	BER=3.0%	1 000	10	377 000	377 000	26.0

RA250	BER=3.0%	1 000	10	78 542	78 542	5.4
TU50	BER=4.5%	667	10	377 000	377 000	26.0
TI5	BER=2.5%	1 200	10	3 770 000	3 770 000	260.0
TI5	BER=4.5%	667	10	3 770 000	3 770 000	260.0

GSM 900 TCH/HS

(FER: 50 events/s, RBER class Ib: 3650 events/s, RBER class II: 850 events/s, frame filling = 12/26)

Prop. cond.	Error rate	Stat. sign.	Indep. samples	Station. proc.	Samples:	Time: (s)
static (FER)	0.025%	120 000	4	-	480 000	9 600.0
Ib	0.001%	3 000 000	10	-	30 000 000	8 219.2
II	0.720%	4 167	10	-	41 667	49.0
TU50 (FER)	4.10%	732	4	2 600	2 927	58.5
Ib	0.36%	8 333	10	189 800	189 800	52.0
II	6.90%	435	10	44 200	44 200	52.0
RA250 (FER)	4.10%	732	4	542	2 927	58.5
Ib	0.28%	10 714	10	39 542	107 143	29.4
II	6.80%	441	10	9 208	9 208	10.8
HT100 (FER)	4.50%	667	4	1 300	2 667	53.3
Ib	0.56%	5 357	10	94 900	94 900	26.0
II	7.60%	395	10	22 100	22 100	26.0
TU3 (FER)	19.10%	157	4	43 333	43 333	866.7
Ib	0.52%	5 769	10	3 163 333	3 163 333	866.7
II	2.80%	1 071	10	736 667	736 667	866.7
TU50 (FER)	5.00%	600	4	2 600	2 600	52.0
Ib	0.29%	10 345	10	189 800	189 800	52.0
II	7.10%	423	10	44 200	44 200	52.0
RA250 (FER)	4.70%	638	4	542	2 553	51.1
Ib	0.21%	14 286	10	39 542	142 857	39.1
II	7.00%	429	10	9 208	9 208	10.8
TU50 (SFH) FER	4.10%	732	4	2 600	2 927	58.5
Ib	0.36%	8 333	10	189 800	189 800	52.0
II	6.90%	435	10	44 200	44 200	52.0
TI5 (FER)	4.1%	732	4	26 000	26 000	520.0
Ib	0.36%	8 333	10	1 898 000	1 898 000	520.0
II	6.9%	435	10	442 000	442 000	520.0
TU50 (SFH) FER	5.0%	600	4	2 600	2 600	52.0
Ib	0.29%	10 345	10	189 800	189 800	52.0
II	7.1%	423	10	44 200	44 200	52.0
TI5 (FER)	5.0%	600	4	26 000	26 000	520.0
Ib	0.29%	10 345	10	1 898 000	1 898 000	520.0
II	7.1%	423	10	442 000	442 000	520.0

To reduce the testing time on static FER and RBER class Ib the factor $k = P_b/P_s$ may be increased from $k = 2$ to $k > 2$ thus resulting in reasonable reductions of the test times, see table below. If this test fails, the test may be repeated with the number of samples given in the table above.

Prop. cond.	$k = P_b/P_s$	Stat. sign.	Indep. samples	Samples:	Time: (s)	Probability of no error (1 - p)
static (FER)	2.5	60 000	4	240 000	4800 (1h20')	6.8 %
Ib	2.5	1 500 000	10	15 000 000	4110 (1h08')	6.8 %
static (FER)	3.0	40 000	4	160 000	2880 (48')	15.8 %
Ib	3.0	1 000 000	10	10 000 000	2466 (41')	15.8 %

GSM 900 TCH/EFS

(FER: 50 events/s, RBER class Ib: 6600 events/s, RBER class II: 3900 events/s, frame filling = 24/26)

Prop. cond.	Error rate	Stat. sign.	Indep. samples	Station. proc.	Samples:	Time: (s)
static	FER=0.10%	30 000	4	-	120 000	2 400.0
Ib	RBER=0.10%	30 000	10	-	300 000	45.5
II	RBER=2.0%	1 500	10	-	15 000	3.8
TU50	FER=8.0%	375	4	1 300	3 000	60.0
Ib	RBER=0.21%	14 286	10	171 600	171 600	26.0
II	RBER=7.0%	429	10	101 400	101 400	26.0
TU50(SFH)	FER=3.0%	1 000	4	1 300	4 000	80.0
Ib	RBER=0.11%	27 273	10	171 600	272 730	41.3
II	RBER=8.0%	375	10	101 400	101 400	26.0
RA250	FER=3.0%	1 000	4	271	4 000	80.0
Ib	RBER=0.10%	30 000	10	35 750	300 000	45.5
II	RBER=7.0%	429	10	21 125	21 125	5.4
HT100	FER=7.0%	429	4	650	1 716	34.3
Ib	RBER=0.20%	15 000	10	85 800	150 000	22.7
II	RBER=9.0%	333	10	50 700	50 700	13.0
TU3	FER=23%	130	4	21 667	21 667	433.3
Ib	RBER=0.20%	15 000	10	2860 000	2860 000	433.3
II	RBER=3.0%	1 000	10	1690 000	1690 000	433.3
TU3(SFH)	FER=3.0%	1 000	4	21 667	21 667	433.3
Ib	RBER=0.1%	30 000	10	2860 000	2860 000	433.3
II	RBER=8.0%	375	10	1690 000	1690 000	433.3
TU50	FER=9.0%	333	4	1 300	1 332	26.6
Ib	RBER=0.2%	15 000	10	171 600	171 600	26.0
II	RBER=7.0%	429	10	101 400	101 400	26.0
TU50(SFH)	FER=3.0%	1 000	4	1 300	4 000	80.0
Ib	RBER=0.1%	30 000	10	171 600	300 000	45.5
II	RBER=8.0%	375	10	101 400	101 400	26.0
RA250	FER=4.0%	750	4	271	3 000	60.0
Ib	RBER=0.13%	23 077	10	35 750	230 770	35.0
II	RBER=8.0%	375	10	21 125	21 125	5.4
TI5	FER=8.0%	375	4	13 000	13 000	260.0
Ib	RBER=0.21%	14 286	10	1 716 000	1 716 000	260.0
II	RBER=7.0%	429	10	1 014 000	1 014 000	260.0
TI5	FER=9.0%	333	4	13 000	13 000	260.0
Ib	RBER=0.2%	15 000	10	1 716 000	1 716 000	260.0
II	RBER=7.0%	429	10	1 014 000	1 014 000	260.0

GSM 900 TCH/AFS12.2

(FER: 50 events/s, RBER class Ib: 12200 events/s, frame filling = 24/26)

Prop. cond.	Error rate	Stat. sign.	Indep. samples	Station. proc.	Samples:	Time: (s)
Static (Ib)	RBER = 0,001 %	3000000	10	-	30000000	2459
TU50 (no SFH)	FER = 4,9 %	612,2	4	1300	2449	49
Ib	RBER = 1,5 %	2000	10	317200	317200	26
TU50 (ideal SFH)	FER = 2,4 %	1250	4	1300	5000	100
Ib	RBER = 1,5 %	2000	10	317200	317200	26
RA250 (no SFH)	FER = 1,4 %	2142,9	4	270,8	8571,4	171,4
Ib	RBER = 1,2 %	2500	10	66083,3	66083,3	5,4
HT100 (no SFH)	FER = 4,5 %	666,7	4	650	2666,7	53,3
Ib	RBER = 2,1 %	1428,6	10	158600	158600	13
TI5 (no SFH)	FER = 4,9 %	612,2	4	13000	13000	260
Ib	RBER = 1,5 %	2000	10	3172000	3172000	260
TU3 (no SFH)	FER = 22 %	136,4	4	21666,7	21666,7	433,3
Ib	RBER = 0,9 %	3333,3	10	5286666,7	5286666,7	433,3
TU50 (no SFH)	FER = 6 %	500	4	1300	2000	40
Ib	RBER = 1,7 %	1764,7	10	317200	317200	26
TU50 (ideal SFH)	FER = 3,5 %	857,1	4	1300	3428,6	68,6
Ib	RBER = 1,7 %	1764,7	10	317200	317200	26
RA250 (no SFH)	FER = 2,5 %	1200	4	270,8	4800	96
Ib	RBER = 1,5 %	2000	10	66083,3	66083,3	5,4
TI5 (no SFH)	FER = 6 %	500	4	13000	13000	260
Ib	RBER = 1,7 %	1764,7	10	3172000	3172000	260

GSM 900 TCH/AFS10.2

(FER: 50 events/s, RBER class Ib: 10200 events/s, frame filling = 24/26)

Prop. cond.	Error rate	Stat. sign.	Indep. samples	Station. proc.	Samples:	Time: (s)
Static (Ib)	RBER = 0,001 %	3000000	10	-	30000000	2941,2
TU50 (no SFH)	FER = 2,1 %	1428,6	4	1300	5714,3	114,3
Ib	RBER = 0,23 %	13043,5	10	265200	265200	26
TU50 (ideal SFH)	FER = 0,85 %	3529,4	4	1300	14117,6	282,4
Ib	RBER = 0,15 %	20000	10	265200	265200	26
RA250 (no SFH)	FER = 0,45 %	6666,7	4	270,8	26666,7	533,3
Ib	RBER = 0,092 %	32608,7	10	55250	326087	32
HT100 (no SFH)	FER = 1,6 %	1875	4	650	7500	150
Ib	RBER = 0,26 %	11538,5	10	132600	132600	13
TI5 (no SFH)	FER = 2,1 %	1428,6	4	13000	13000	260
Ib	RBER = 0,23 %	13043,5	10	2652000	2652000	260
TU3 (no SFH)	FER = 18 %	166,7	4	21666,7	21666,7	433,3
Ib	RBER = 0,53 %	5660,4	10	4420000	4420000	433,3
TU50 (no SFH)	FER = 2,7 %	1111,1	4	1300	4444,4	88,9
Ib	RBER = 0,3 %	10000	10	265200	265200	26
TU50 (ideal SFH)	FER = 1,4 %	2142,9	4	1300	8571,4	171,4
Ib	RBER = 0,21 %	14285,7	10	265200	265200	26
RA250 (no SFH)	FER = 0,92 %	3260,9	4	270,8	13043,5	260,9
Ib	RBER = 0,16 %	18750	10	55250	187500	18,4
TI5 (no SFH)	FER = 2,7 %	1111,1	4	13000	13000	260
Ib	RBER = 0,3 %	10000	10	2652000	2652000	260

GSM 900 TCH/AFS7.95

(FER: 50 events/s, RBER class Ib: 7950 events/s, frame filling = 24/26)

Prop. cond.	Error rate	Stat. sign.	Indep. samples	Station. proc.	Samples:	Time: (s)
TU50 (no SFH)	FER = 0,36 %	8333,3	4	1300	33333,3	666,7
Ib	RBER = 0,11 %	27272,7	10	206700	272727,3	34,3
TU50 (ideal SFH)	FER = 0,045 %	66666,7	4	1300	266666,7	5333,3
Ib	RBER = 0,032 %	93750	10	206700	937500	117,9
RA250 (no SFH)	FER = 0,024 %	125000	4	270,8	500000	10000
Ib	RBER = 0,02 %	150000	10	43062,5	1500000	188,7
HT100 (no SFH)	FER = 0,096 %	31250	4	650	125000	2500
Ib	RBER = 0,06 %	50000	10	103350	500000	62,9
TI5 (no SFH)	FER = 0,36 %	8333,3	4	13000	33333,3	666,7
Ib	RBER = 0,11 %	27272,7	10	2067000	2067000	260
TU3 (no SFH)	FER = 13 %	230,8	4	21666,7	21666,7	433,3
Ib	RBER = 0,66 %	4545,5	10	3445000	3445000	433,3
TU50 (no SFH)	FER = 0,51 %	5882,4	4	1300	23529,4	470,6
Ib	RBER = 0,15 %	20000	10	206700	206700	26
TU50 (ideal SFH)	FER = 0,12 %	25000	4	1300	100000	2000
Ib	RBER = 0,065 %	46153,8	10	206700	461538,5	58,1
RA250 (no SFH)	FER = 0,073 %	41095,9	4	270,8	164383,6	3287,7
Ib	RBER = 0,044 %	68181,8	10	43062,5	681818,2	85,8
TI5 (no SFH)	FER = 0,51 %	5882,4	4	13000	23529,4	470,6
Ib	RBER = 0,15 %	20000	10	2067000	2067000	260
TU3 (no SFH)	FER = 26 %	115,4	4	21666,7	21666,7	433,3
Ib	RBER = 1,2 %	2500	10	3445000	3445000	433,3
TU50 (no SFH)	FER = 5,3 %	566	4	1300	2264,2	45,3
Ib	RBER = 1 %	3000	10	206700	206700	26
TU50 (ideal SFH)	FER = 2,7 %	1111,1	4	1300	4444,4	88,9
Ib	RBER = 0,78 %	3846,2	10	206700	206700	26
RA250 (no SFH)	FER = 1,8 %	1666,7	4	270,8	6666,7	133,3
Ib	RBER = 0,6 %	5000	10	43062,5	50000	6,3
TI5 (no SFH)	FER = 5,3 %	566	4	13000	13000	260
Ib	RBER = 1 %	3000	10	2067000	2067000	260

GSM 900 TCH/AFS7.4

(FER: 50 events/s, RBER class Ib: 7400 events/s, frame filling = 24/26)

Prop. cond.	Error rate	Stat. sign.	Indep. samples	Station. proc.	Samples:	Time: (s)
TU50 (no SFH)	FER = 0,41 %	7317,1	4	1300	29268,3	585,4
Ib	RBER = 0,054 %	55555,6	10	192400	555555,6	75,1
TU50 (ideal SFH)	FER = 0,069 %	43478,3	4	1300	173913	3478,3
Ib	RBER = 0,016 %	187500	10	192400	1875000	253,4
RA250 (no SFH)	FER = 0,028 %	107142,9	4	270,8	428571,4	8571,4
Ib	RBER = 0,009 %	333333,3	10	40083,3	3333333,3	450,5
HT100 (no SFH)	FER = 0,13 %	23076,9	4	650	92307,7	1846,2
Ib	RBER = 0,033 %	90909,1	10	96200	909090,9	122,9
TI5 (no SFH)	FER = 0,41 %	7317,1	4	13000	29268,3	585,4
Ib	RBER = 0,054 %	55555,6	10	1924000	1924000	260
TU3 (no SFH)	FER = 14 %	214,3	4	21666,7	21666,7	433,3
Ib	RBER = 0,43 %	6976,7	10	3206666,7	3206666,7	433,3
TU50 (no SFH)	FER = 0,56 %	5357,1	4	1300	21428,6	428,6
Ib	RBER = 0,072 %	41666,7	10	192400	416666,7	56,3
TU50 (ideal SFH)	FER = 0,16 %	18750	4	1300	75000	1500
Ib	RBER = 0,032 %	93750	10	192400	937500	126,7
RA250 (no SFH)	FER = 0,09 %	33333,3	4	270,8	133333,3	2666,7
Ib	RBER = 0,018 %	166666,7	10	40083,3	1666666,7	225,2
TI5 (no SFH)	FER = 0,56 %	5357,1	4	13000	21428,6	428,6
Ib	RBER = 0,072 %	41666,7	10	1924000	1924000	260
TU3 (no SFH)	FER = 26 %	115,4	4	21666,7	21666,7	433,3
Ib	RBER = 0,79 %	3797,5	10	3206666,7	3206666,7	433,3
TU50 (no SFH)	FER = 5,4 %	555,6	4	1300	2222,2	44,4
Ib	RBER = 0,52 %	5769,2	10	192400	192400	26
TU50 (ideal SFH)	FER = 3,1 %	967,7	4	1300	3871	77,4
Ib	RBER = 0,38 %	7894,7	10	192400	192400	26
RA250 (no SFH)	FER = 2 %	1500	4	270,8	6000	120
Ib	RBER = 0,28 %	10714,3	10	40083,3	107142,9	14,5
TI5 (no SFH)	FER = 5,4 %	555,6	4	13000	13000	260
Ib	RBER = 0,52 %	5769,2	10	1924000	1924000	260

GSM 900 TCH/AFS6.7

(FER: 50 events/s, RBER class Ib: 6700 events/s, frame filling = 24/26)

Prop. cond.	Error rate	Stat. sign.	Indep. samples	Station. proc.	Samples:	Time: (s)
TU50 (no SFH)	FER = 0,16 %	18750	4	1300	75000	1500
Ib	RBER = 0,082 %	36585,4	10	174200	365853,7	54,6
TU50 (ideal SFH)	FER = 0,017 %	176470,6	4	1300	705882,4	14117,6
Ib	RBER = 0,022 %	136363,6	10	174200	1363636,4	203,5
RA250 (no SFH)	FER = 0,01 %	300000	4	270,8	1200000	24000
Ib	RBER = 0,013 %	230769,2	10	36291,7	2307692,3	344,4
HT100 (no SFH)	FER = 0,026 %	115384,6	4	650	461538,5	9230,8
Ib	RBER = 0,044 %	68181,8	10	87100	681818,2	101,8
TI5 (no SFH)	FER = 0,16 %	18750	4	13000	75000	1500
Ib	RBER = 0,082 %	36585,4	10	1742000	1742000	260
TU3 (no SFH)	FER = 11 %	272,7	4	21666,7	21666,7	433,3
Ib	RBER = 0,75 %	4000	10	2903333,3	2903333,3	433,3
TU50 (no SFH)	FER = 0,21 %	14285,7	4	1300	57142,9	1142,9
Ib	RBER = 0,11 %	27272,7	10	174200	272727,3	40,7
TU50 (ideal SFH)	FER = 0,041 %	73170,7	4	1300	292682,9	5853,7
Ib	RBER = 0,042 %	71428,6	10	174200	714285,7	106,6
RA250 (no SFH)	FER = 0,021 %	142857,1	4	270,8	571428,6	11428,6
Ib	RBER = 0,028 %	107142,9	10	36291,7	1071428,6	159,9
TI5 (no SFH)	FER = 0,21 %	14285,7	4	13000	57142,9	1142,9
Ib	RBER = 0,11 %	27272,7	10	1742000	1742000	260
TU3 (no SFH)	FER = 23 %	130,4	4	21666,7	21666,7	433,3
Ib	RBER = 1,4 %	2142,9	10	2903333,3	2903333,3	433,3
TU50 (no SFH)	FER = 2,9 %	1034,5	4	1300	4137,9	82,8
Ib	RBER = 0,86 %	3488,4	10	174200	174200	26
TU50 (ideal SFH)	FER = 1,2 %	2500	4	1300	10000	200
Ib	RBER = 0,6 %	5000	10	174200	174200	26
RA250 (no SFH)	FER = 0,75 %	4000	4	270,8	16000	320
Ib	RBER = 0,44 %	6818,2	10	36291,7	68181,8	10,2
TI5 (no SFH)	FER = 2,9 %	1034,5	4	13000	13000	260
Ib	RBER = 0,86 %	3488,4	10	1742000	1742000	260

GSM 900 TCH/AFS5.9

(FER: 50 events/s, RBER class Ib: 5900 events/s, frame filling = 24/26)

Prop. cond.	Error rate	Stat. sign.	Indep. samples	Station. proc.	Samples:	Time: (s)
TU50 (no SFH)	FER = 0,094 %	31914,9	4	1300	127659,6	2553,2
Ib	RBER = 0,014 %	214285,7	10	153400	2142857,1	363,2
TU50 (ideal SFH)	FER = 0,01 %	300000	4	1300	1200000	24000
Ib	RBER = 0,001 %	3000000	10	153400	30000000	5084,7
RA250 (no SFH)	FER = 0,01 %	300000	4	270,8	1200000	24000
Ib	RBER = 0,001 %	3000000	10	31958,3	30000000	5084,7
HT100 (no SFH)	FER = 0,011 %	272727,3	4	650	1090909,1	21818,2
Ib	RBER = 0,003 %	1000000	10	76700	10000000	1694,9
TI5 (no SFH)	FER = 0,094 %	31914,9	4	13000	127659,6	2553,2
Ib	RBER = 0,014 %	214285,7	10	1534000	2142857,1	363,2
TU3 (no SFH)	FER = 10 %	300	4	21666,7	21666,7	433,3
Ib	RBER = 0,38 %	7894,7	10	2556666,7	2556666,7	433,3
TU50 (no SFH)	FER = 0,12 %	25000	4	1300	100000	2000
Ib	RBER = 0,022 %	136363,6	10	153400	1363636,4	231,1
TU50 (ideal SFH)	FER = 0,018 %	166666,7	4	1300	666666,7	13333,3
Ib	RBER = 0,005 %	600000	10	153400	6000000	1016,9
RA250 (no SFH)	FER = 0,01 %	300000	4	270,8	1200000	24000
Ib	RBER = 0,003 %	1000000	10	31958,3	10000000	1694,9
TI5 (no SFH)	FER = 0,12 %	25000	4	13000	100000	2000
Ib	RBER = 0,022 %	136363,6	10	1534000	1534000	260
TU3 (no SFH)	FER = 21 %	142,9	4	21666,7	21666,7	433,3
Ib	RBER = 0,74 %	4054,1	10	2556666,7	2556666,7	433,3
TU50 (no SFH)	FER = 2 %	1500	4	1300	6000	120
Ib	RBER = 0,23 %	13043,5	10	153400	153400	26
TU50 (ideal SFH)	FER = 0,7 %	4285,7	4	1300	17142,9	342,9
Ib	RBER = 0,12 %	25000	10	153400	250000	42,4
RA250 (no SFH)	FER = 0,4 %	7500	4	270,8	30000	600
Ib	RBER = 0,079 %	37974,7	10	31958,3	379746,8	64,4
TI5 (no SFH)	FER = 2 %	1500	4	13000	13000	260
Ib	RBER = 0,23 %	13043,5	10	1534000	1534000	260

GSM 900 TCH/AFS5.15

(FER: 50 events/s, RBER class Ib: 5150 events/s, frame filling = 24/26)

Prop. cond.	Error rate	Stat. sign.	Indep. samples	Station. proc.	Samples:	Time: (s)
TU50 (no SFH)	FER = 0,07 %	42857,1	4	1300	171428,6	3428,6
Ib	RBER = 0,014 %	214285,7	10	133900	2142857,1	416,1
TU50 (ideal SFH)	FER = 0,01 %	300000	4	1300	1200000	24000
Ib	RBER = 0,001 %	3000000	10	133900	30000000	5825,2
RA250 (no SFH)	FER = 0,01 %	300000	4	270,8	1200000	24000
Ib	RBER = 0,001 %	3000000	10	27895,8	30000000	5825,2
HT100 (no SFH)	FER = 0,01 %	300000	4	650	1200000	24000
Ib	RBER = 0,002 %	1500000	10	66950	15000000	2912,6
TI5 (no SFH)	FER = 0,07 %	42857,1	4	13000	171428,6	3428,6
Ib	RBER = 0,014 %	214285,7	10	1339000	2142857,1	416,1
TU3 (no SFH)	FER = 9,2 %	326,1	4	21666,7	21666,7	433,3
Ib	RBER = 0,44 %	6818,2	10	2231666,7	2231666,7	433,3
TU50 (no SFH)	FER = 0,081 %	37037	4	1300	148148,1	2963
Ib	RBER = 0,019 %	157894,7	10	133900	1578947,4	306,6
TU50 (ideal SFH)	FER = 0,011 %	272727,3	4	1300	1090909,1	21818,2
Ib	RBER = 0,003 %	1000000	10	133900	10000000	1941,7
RA250 (no SFH)	FER = 0,01 %	300000	4	270,8	1200000	24000
Ib	RBER = 0,002 %	1500000	10	27895,8	15000000	2912,6
TI5 (no SFH)	FER = 0,081 %	37037	4	13000	148148,1	2963
Ib	RBER = 0,019 %	157894,7	10	1339000	1578947,4	306,6
TU3 (no SFH)	FER = 19 %	157,9	4	21666,7	21666,7	433,3
Ib	RBER = 0,85 %	3529,4	10	2231666,7	2231666,7	433,3
TU50 (no SFH)	FER = 1,4 %	2142,9	4	1300	8571,4	171,4
Ib	RBER = 0,22 %	13636,4	10	133900	136363,6	26,5
TU50 (ideal SFH)	FER = 0,47 %	6383	4	1300	25531,9	510,6
Ib	RBER = 0,11 %	27272,7	10	133900	272727,3	53
RA250 (no SFH)	FER = 0,25 %	12000	4	270,8	48000	960
Ib	RBER = 0,069 %	43478,3	10	27895,8	434782,6	84,4
TI5 (no SFH)	FER = 1,4 %	2142,9	4	13000	13000	260
Ib	RBER = 0,22 %	13636,4	10	1339000	1339000	260

GSM 900 TCH/AFS4.75

(FER: 50 events/s, RBER class Ib: 4750 events/s, frame filling = 24/26)

Prop. cond.	Error rate	Stat. sign.	Indep. samples	Station. proc.	Samples:	Time: (s)
TU50 (no SFH)	FER = 0,029 %	103448,3	4	1300	413793,1	8275,9
Ib	RBER = 0,005 %	600000	10	123500	6000000	1263,2
TU50 (ideal SFH)	FER = 0,01 %	300000	4	1300	1200000	24000
Ib	RBER = 0,001 %	3000000	10	123500	30000000	6315,8
RA250 (no SFH)	-	-	4	270,8	-	-
Ib	RBER = 0,001 %	3000000	10	25729,2	30000000	6315,8
HT100 (no SFH)	FER = 0,01 %	300000	4	650	1200000	24000
Ib	RBER = 0,001 %	3000000	10	61750	30000000	6315,8
TI5 (no SFH)	FER = 0,029 %	103448,3	4	13000	413793,1	8275,9
Ib	RBER = 0,005 %	600000	10	1235000	6000000	1263,2
TU3 (no SFH)	FER = 7,9 %	379,7	4	21666,7	21666,7	433,3
Ib	RBER = 0,32 %	9375	10	2058333,3	2058333,3	433,3
TU50 (no SFH)	FER = 0,036 %	83333,3	4	1300	333333,3	6666,7
Ib	RBER = 0,006 %	500000	10	123500	5000000	1052,6
TU50 (ideal SFH)	FER = 0,01 %	300000	4	1300	1200000	24000
Ib	RBER = 0,001 %	3000000	10	123500	30000000	6315,8
RA250 (no SFH)	FER = 0,01 %	300000	4	270,8	1200000	24000
Ib	RBER = 0,001 %	3000000	10	25729,2	30000000	6315,8
TI5 (no SFH)	FER = 0,036 %	83333,3	4	13000	333333,3	6666,7
Ib	RBER = 0,006 %	500000	10	1235000	5000000	1052,6
TU3 (no SFH)	FER = 17 %	176,5	4	21666,7	21666,7	433,3
Ib	RBER = 0,62 %	4838,7	10	2058333,3	2058333,3	433,3
TU50 (no SFH)	FER = 0,82 %	3658,5	4	1300	14634,1	292,7
Ib	RBER = 0,11 %	27272,7	10	123500	272727,3	57,4
TU50 (ideal SFH)	FER = 0,23 %	13043,5	4	1300	52173,9	1043,5
Ib	RBER = 0,033 %	90909,1	10	123500	909090,9	191,4
RA250 (no SFH)	FER = 0,11 %	27272,7	4	270,8	109090,9	2181,8
Ib	RBER = 0,019 %	157894,7	10	25729,2	1578947,4	332,4
TI5 (no SFH)	FER = 0,82 %	3658,5	4	13000	14634,1	292,7
Ib	RBER = 0,11 %	27272,7	10	1235000	1235000	260

GSM 900 TCH/AHS7.95

(FER: 50 events/s, RBER class Ib: 2800 events/s, RBER class II : 1800 events/s, frame filling = 12/26)

Prop. cond.	Error rate	Stat. sign.	Indep. samples	Station. proc.	Samples:	Time: (s)
Static	FER = 0,01 %	300000	4	-	1200000	24000
Ib	RBER = 0,004 %	750000	10	-	7500000	2678,6
II	RBER = 0,66 %	4545,5	10	-	45454,5	25,3
TU50 (no SFH)	FER = 20 %	150	4	2600	2600	52
Ib	RBER = 2,3 %	1304,3	10	145600	145600	52
II	RBER = 5 %	600	10	93600	93600	52
TU50 (ideal SFH)	FER = 20 %	150	4	2600	2600	52
Ib	RBER = 2,3 %	1304,3	10	145600	145600	52
II	RBER = 5 %	600	10	93600	93600	52
RA250 (no SFH)	FER = 17 %	176,5	4	541,7	705,9	14,1
Ib	RBER = 2 %	1500	10	30333,3	30333,3	10,8
II	RBER = 4,7 %	638,3	10	19500	19500	10,8
HT100 (no SFH)	FER = 28 %	107,1	4	1300	1300	26
Ib	RBER = 2,9 %	1034,5	10	72800	72800	26
II	RBER = 5,7 %	526,3	10	46800	46800	26
TI5 (no SFH)	FER = 20 %	150	4	26000	26000	520
Ib	RBER = 2,3 %	1304,3	10	1456000	1456000	520
II	RBER = 5 %	600	10	936000	936000	520
TU3 (no SFH)	FER = 27 %	111,1	4	43333,3	43333,3	866,7
Ib	RBER = 0,84 %	3571,4	10	2426666,7	2426666,7	866,7
II	RBER = 1,7 %	1764,7	10	1560000	1560000	866,7
TU50 (no SFH)	FER = 22 %	136,4	4	2600	2600	52
Ib	RBER = 2,3 %	1304,3	10	145600	145600	52
II	RBER = 5,3 %	566	10	93600	93600	52
TU50 (ideal SFH)	FER = 22 %	136,4	4	2600	2600	52
Ib	RBER = 2,3 %	1304,3	10	145600	145600	52
II	RBER = 5,3 %	566	10	93600	93600	52
RA250 (no SFH)	FER = 21 %	142,9	4	541,7	571,4	11,4
Ib	RBER = 2,1 %	1428,6	10	30333,3	30333,3	10,8
II	RBER = 5 %	600	10	19500	19500	10,8
TI5 (no SFH)	FER = 22 %	136,4	4	26000	26000	520
Ib	RBER = 2,3 %	1304,3	10	1456000	1456000	520
II	RBER = 5,3 %	566	10	936000	936000	520
TU3 (no SFH)	FER = 14 %	214,3	4	43333,3	43333,3	866,7
Ib	RBER = 0,48 %	6250	10	2426666,7	2426666,7	866,7
II	RBER = 1 %	3000	10	1560000	1560000	866,7
TU50 (no SFH)	FER = 6,7 %	447,8	4	2600	2600	52
Ib	RBER = 1 %	3000	10	145600	145600	52
II	RBER = 3,2 %	937,5	10	93600	93600	52
TU50 (ideal SFH)	FER = 6,7 %	447,8	4	2600	2600	52
Ib	RBER = 1 %	3000	10	145600	145600	52
II	RBER = 3,2 %	937,5	10	93600	93600	52
RA250 (no SFH)	FER = 7 %	428,6	4	541,7	1714,3	34,3
Ib	RBER = 1 %	3000	10	30333,3	30333,3	10,8
II	RBER = 3,2 %	937,5	10	19500	19500	10,8
TI5 (no SFH)	FER = 6,7 %	447,8	4	26000	26000	520
Ib	RBER = 1 %	3000	10	1456000	1456000	520
II	RBER = 3,2 %	937,5	10	936000	936000	520

GSM 900 TCH/AHS7.4

(FER: 50 events/s, RBER class Ib: 2950 events/s, RBER class II : 1400 events/s, frame filling = 12/26)

Prop. cond.	Error rate	Stat. sign.	Indep. samples	Station. proc.	Samples:	Time: (s)
Static	FER = 0,01 %	300000	4	-	1200000	24000
lb	RBER = 0,001 %	3000000	10	-	30000000	10169,5
II	RBER = 0,66 %	4545,5	10	-	45454,5	32,5
TU50 (no SFH)	FER = 16 %	187,5	4	2600	2600	52
lb	RBER = 1,4 %	2142,9	10	153400	153400	52
II	RBER = 5,3 %	566	10	72800	72800	52
TU50 (ideal SFH)	FER = 16 %	187,5	4	2600	2600	52
lb	RBER = 1,4 %	2142,9	10	153400	153400	52
II	RBER = 5,3 %	566	10	72800	72800	52
RA250 (no SFH)	FER = 14 %	214,3	4	541,7	857,1	17,1
lb	RBER = 1,1 %	2727,3	10	31958,3	31958,3	10,8
II	RBER = 5 %	600	10	15166,7	15166,7	10,8
HT100 (no SFH)	FER = 22 %	136,4	4	1300	1300	26
lb	RBER = 1,8 %	1666,7	10	76700	76700	26
II	RBER = 6,1 %	491,8	10	36400	36400	26
TI5 (no SFH)	FER = 16 %	187,5	4	26000	26000	520
lb	RBER = 1,4 %	2142,9	10	1534000	1534000	520
II	RBER = 5,3 %	566	10	728000	728000	520
TU3 (no SFH)	FER = 25 %	120	4	43333,3	43333,3	866,7
lb	RBER = 0,68 %	4411,8	10	2556666,7	2556666,7	866,7
II	RBER = 1,9 %	1578,9	10	1213333,3	1213333,3	866,7
TU50 (no SFH)	FER = 18 %	166,7	4	2600	2600	52
lb	RBER = 1,4 %	2142,9	10	153400	153400	52
II	RBER = 5,6 %	535,7	10	72800	72800	52
TU50 (ideal SFH)	FER = 18 %	166,7	4	2600	2600	52
lb	RBER = 1,4 %	2142,9	10	153400	153400	52
II	RBER = 5,6 %	535,7	10	72800	72800	52
RA250 (no SFH)	FER = 17 %	176,5	4	541,7	705,9	14,1
lb	RBER = 1,3 %	2142,9	10	31958,3	31958,3	10,8
II	RBER = 5,4 %	555,6	10	15166,7	15166,7	10,8
TI5 (no SFH)	FER = 18 %	166,7	4	26000	26000	520
lb	RBER = 1,4 %	2142,9	10	1534000	1534000	520
II	RBER = 5,6 %	535,7	10	728000	728000	520
TU3 (no SFH)	FER = 13 %	230,8	4	43333,3	43333,3	866,7
lb	RBER = 0,38 %	7894,7	10,0	2556666,7	2556666,7	866,7
II	RBER = 1,2 %	2500	10	1213333,3	1213333,3	866,7
TU50 (no SFH)	FER = 4,8 %	625	4	2600	2600	52
lb	RBER = 0,51 %	5882,4	10	153400	153400	52
II	RBER = 3,3 %	909,1	10	72800	72800	52
TU50 (ideal SFH)	FER = 4,8 %	625	4	2600	2600	52
lb	RBER = 0,51 %	5882,4	10	153400	153400	52
II	RBER = 3,3 %	909,1	10	72800	72800	52
RA250 (no SFH)	FER = 5,3 %	566	4	541,7	2264,2	45,3
lb	RBER = 0,5 %	6000	10	31958,3	60000	20,3
II	RBER = 3,4 %	882,4	10	15166,7	15166,7	10,8
TI5 (no SFH)	FER = 4,8 %	625	4	26000	26000	520
lb	RBER = 0,51 %	5882,4	10	1534000	1534000	520
II	RBER = 3,3 %	909,1	10	728000	728000	520

GSM 900 TCH/AHS6.7

(FER: 50 events/s, RBER class Ib: 2750 events/s, RBER class II : 1200 events/s, frame filling = 12/26)

Prop. cond.	Error rate	Stat. sign.	Indep. samples	Station. proc.	Samples:	Time: (s)
Static	FER = 0,01 %	300000	4	-	1200000	24000
Ib	RBER = 0,001 %	3000000	10	-	30000000	10909,1
II	RBER = 0,66 %	4545,5	10	-	45454,5	37,9
TU50 (no SFH)	FER = 9,2 %	326,1	4	2600	2600	52
Ib	RBER = 1,1 %	2727,3	10	143000	143000	52
II	RBER = 5,8 %	517,2	10	62400	62400	52
TU50 (ideal SFH)	FER = 9,2 %	326,1	4	2600	2600	52
Ib	RBER = 1,1 %	2727,3	10	143000	143000	52
II	RBER = 5,8 %	517,2	10	62400	62400	52
RA250 (no SFH)	FER = 8 %	375	4	541,7	1500	30
Ib	RBER = 0,93 %	3225,8	10	29791,7	32258,1	11,7
II	RBER = 5,5 %	545,5	10	13000	13000	10,8
HT100 (no SFH)	FER = 13 %	230,8	4	1300	1300	26
Ib	RBER = 1,5 %	2000	10	71500	71500	26
II	RBER = 6,6 %	454,5	10	31200	31200	26
TI5 (no SFH)	FER = 9,2 %	326,1	4	26000	26000	520
Ib	RBER = 1,1 %	2727,3	10	1430000	1430000	520
II	RBER = 5,8 %	517,2	10	624000	624000	520
TU3 (no SFH)	FER = 23 %	130,4	4	43333,3	43333,3	866,7
Ib	RBER = 0,71 %	4225,4	10	2383333,3	2383333,3	866,7
II	RBER = 2,3 %	1304,3	10	1040000	1040000	866,7
TU50 (no SFH)	FER = 11 %	272,7	4	2600	2600	52
Ib	RBER = 1,2 %	2500	10	143000	143000	52
II	RBER = 6,2 %	483,9	10	62400	62400	52
TU50 (ideal SFH)	FER = 11 %	272,7	4	2600	2600	52
Ib	RBER = 1,2 %	2500	10	143000	143000	52
II	RBER = 6,2 %	483,9	10	62400	62400	52
RA250 (no SFH)	FER = 11 %	272,7	4	541,7	1090,9	21,8
Ib	RBER = 1,1 %	2727,3	10	29791,7	29791,7	10,8
II	RBER = 6 %	500	10	13000	13000	10,8
TI5 (no SFH)	FER = 11 %	272,7	4	26000	26000	520
Ib	RBER = 1,2 %	2500	10	1430000	1430000	520
II	RBER = 6,2 %	483,9	10	624000	624000	520
TU3 (no SFH)	FER = 11 %	272,7	4	43333,3	43333,3	866,7
Ib	RBER = 0,39 %	7692,3	10	2383333,3	2383333,3	866,7
II	RBER = 1,4 %	2142,9	10	1040000	1040000	866,7
TU50 (no SFH)	FER = 2,3 %	1304,3	4	2600	5217,4	104,3
Ib	RBER = 0,39 %	7692,3	10	143000	143000	52
II	RBER = 3,6 %	833,3	10	62400	62400	52
TU50 (ideal SFH)	FER = 2,3 %	1304,3	4	2600	5217,4	104,3
Ib	RBER = 0,39 %	7692,3	10	143000	143000	52
II	RBER = 3,6 %	833,3	10	62400	62400	52
RA250 (no SFH)	FER = 2,9 %	1034,5	4	541,7	4137,9	82,8
Ib	RBER = 0,4 %	7500	10	29791,7	75000	27,3
II	RBER = 3,6 %	833,3	10	13000	13000	10,8
TI5 (no SFH)	FER = 2,3 %	1304,3	4	26000	26000	520
Ib	RBER = 0,39 %	7692,3	10	1430000	1430000	520
II	RBER = 3,6 %	833,3	10	624000	624000	520

GSM 900 TCH/AHS5.9

(FER: 50 events/s, RBER class Ib: 2350 events/s, RBER class II : 800 events/s, frame filling = 12/26)

Prop. cond.	Error rate	Stat. sign.	Indep. samples	Station. proc.	Samples:	Time: (s)
Static (II)	RBER = 0,66 %	4545,5	10	-	45454,5	56,8
TU50 (no SFH)	FER = 5,7 %	526,3	4	2600	2600	52
Ib	RBER = 0,51 %	5882,4	10	122200	122200	52
II	RBER = 6 %	500	10	41600	41600	52
TU50 (ideal SFH)	FER = 5,7 %	526,3	4	2600	2600	52
Ib	RBER = 0,51 %	5882,4	10	122200	122200	52
II	RBER = 6 %	500	10	41600	41600	52
RA250 (no SFH)	FER = 4,9 %	612,2	4	541,7	2449	49
Ib	RBER = 0,42 %	7142,9	10	25458,3	71428,6	30,4
II	RBER = 5,7 %	526,3	10	8666,7	8666,7	10,8
HT100 (no SFH)	FER = 8,6 %	348,8	4	1300	1395,3	27,9
Ib	RBER = 0,73 %	4109,6	10	61100	61100	26
II	RBER = 6,8 %	441,2	10	20800	20800	26
TI5 (no SFH)	FER = 5,7 %	526,3	4	26000	26000	520
Ib	RBER = 0,51 %	5882,4	10	1222000	1222000	520
II	RBER = 6 %	500	10	416000	416000	520
TU3 (no SFH)	FER = 21 %	142,9	4	43333,3	43333,3	866,7
Ib	RBER = 0,55 %	5454,5	10	2036666,7	2036666,7	866,7
II	RBER = 2,6 %	1153,8	10	693333,3	693333,3	866,7
TU50 (no SFH)	FER = 7,1 %	422,5	4	2600	2600	52
Ib	RBER = 0,57 %	5263,2	10	122200	122200	52
II	RBER = 6,5 %	461,5	10	41600	41600	52
TU50 (ideal SFH)	FER = 7,1 %	422,5	4	2600	2600	52
Ib	RBER = 0,57 %	5263,2	10	122200	122200	52
II	RBER = 6,5 %	461,5	10	41600	41600	52
RA250 (no SFH)	FER = 7 %	428,6	4	541,7	1714,3	34,3
Ib	RBER = 0,51 %	5882,4	10	25458,3	58823,5	25
II	RBER = 6,3 %	476,2	10	8666,7	8666,7	10,8
TI5 (no SFH)	FER = 7,1 %	422,5	4	26000	26000	520
Ib	RBER = 0,57 %	5263,2	10	1222000	1222000	520
II	RBER = 6,5 %	461,5	10	416000	416000	520

GSM 900 TCH/AHS5.15

(FER: 50 events/s, RBER class Ib: 2100 events/s, RBER class II : 600 events/s, frame filling = 12/26)

Prop. cond.	Error rate	Stat. sign.	Indep. samples	Station. proc.	Samples:	Time: (s)
Static (II)	RBER = 0,66 %	4545,5	10	-	45454,5	75,8
TU50 (no SFH)	FER = 2,5 %	1200	4	2600	4800	96
Ib	RBER = 0,51 %	5882,4	10	109200	109200	52
II	RBER = 6,3 %	476,2	10	31200	31200	52
TU50 (ideal SFH)	FER = 2,5 %	1200	4	2600	4800	96
Ib	RBER = 0,51 %	5882,4	10	109200	109200	52
II	RBER = 6,3 %	476,2	10	31200	31200	52
RA250 (no SFH)	FER = 2,2 %	1363,6	4	541,7	5454,5	109,1
Ib	RBER = 0,43 %	6976,7	10	22750	69767,4	33,2
II	RBER = 6 %	500	10	6500	6500	10,8
HT100 (no SFH)	FER = 4 %	750	4	1300	3000	60
Ib	RBER = 0,78 %	3846,2	10	54600	54600	26
II	RBER = 7,2 %	416,7	10	15600	15600	26
TI5 (no SFH)	FER = 2,5 %	1200	4	26000	26000	520
Ib	RBER = 0,51 %	5882,4	10	1092000	1092000	520
II	RBER = 6,3 %	476,2	10	312000	312000	520
TU3 (no SFH)	FER = 17 %	176,5	4	43333,3	43333,3	866,7
Ib	RBER = 0,8 %	3750	10	1820000	1820000	866,7
II	RBER = 3,1 %	967,7	10	520000	520000	866,7
TU50 (no SFH)	FER = 3,3 %	909,1	4	2600	3636,4	72,7
Ib	RBER = 0,6 %	5000	10	109200	109200	52
II	RBER = 6,9 %	434,8	10	31200	31200	52
TU50 (ideal SFH)	FER = 3,3 %	909,1	4	2600	3636,4	72,7
Ib	RBER = 0,6 %	5000	10	109200	109200	52
II	RBER = 6,9 %	434,8	10	31200	31200	52
RA250 (no SFH)	FER = 3,5 %	857,1	4	541,7	3428,6	68,6
Ib	RBER = 0,57 %	5263,2	10	22750	52631,6	25,1
II	RBER = 6,7 %	447,8	10	6500	6500	10,8
TI5 (no SFH)	FER = 3,3 %	909,1	4	26000	26000	520
Ib	RBER = 0,6 %	5000	10	1092000	1092000	520
II	RBER = 6,9 %	434,8	10	312000	312000	520

GSM 900 TCH/AHS4.75

(FER: 50 events/s, RBER class Ib: 2200 events/s, RBER class II : 600 events/s, frame filling = 12/26)

Prop. cond.	Error rate	Stat. sign.	Indep. samples	Station. proc.	Samples:	Time: (s)
Static (II)	RBER = 0,66 %	4545,5	10	-	45454,5	75,8
TU50 (no SFH)	FER = 1,2 %	2500	4	2600	10000	200
Ib	RBER = 0,17 %	17647,1	10	114400	176470,6	80,2
II	RBER = 6,4 %	468,8	10	31200	31200	52
TU50 (ideal SFH)	FER = 1,2 %	2500	4	2600	10000	200
Ib	RBER = 0,17 %	17647,1	10	114400	176470,6	80,2
II	RBER = 6,4 %	468,8	10	31200	31200	52
RA250 (no SFH)	FER = 1,2 %	2500	4	541,7	10000	200
Ib	RBER = 0,14 %	21428,6	10	23833,3	214285,7	97,4
II	RBER = 6,2 %	483,9	10	6500	6500	10,8
HT100 (no SFH)	FER = 1,8 %	1666,7	4	1300	6666,7	133,3
Ib	RBER = 0,26 %	11538,5	10	57200	115384,6	52,4
II	RBER = 7,4 %	405,4	10	15600	15600	26
TI5 (no SFH)	FER = 1,2 %	2500	4	26000	26000	520
Ib	RBER = 0,17 %	17647,1	10	1144000	1144000	520
II	RBER = 6,4 %	468,8	10	312000	312000	520
TU3 (no SFH)	FER = 15 %	200	4	43333,3	43333,3	866,7
Ib	RBER = 0,6 %	5000	10	1906666,7	1906666,7	866,7
II	RBER = 3,6 %	833,3	10	520000	520000	866,7
TU50 (no SFH)	FER = 1,8 %	1666,7	4	2600	6666,7	133,3
Ib	RBER = 0,22 %	13636,4	10	114400	136363,6	62
II	RBER = 7 %	428,6	10	31200	31200	52
TU50 (ideal SFH)	FER = 1,8 %	1666,7	4	2600	6666,7	133,3
Ib	RBER = 0,22 %	13636,4	10	114400	136363,6	62
II	RBER = 7 %	428,6	10	31200	31200	52
RA250 (no SFH)	FER = 2,1 %	1428,6	4	541,7	5714,3	114,3
Ib	RBER = 0,22 %	13636,4	10	23833,3	136363,6	62
II	RBER = 6,9 %	434,8	10	6500	6500	10,8
TI5 (no SFH)	FER = 1,8 %	1666,7	4	26000	26000	520
Ib	RBER = 0,22 %	13636,4	10	1144000	1144000	520
II	RBER = 7 %	428,6	10	312000	312000	520

GSM 900 PDTCH/CS-1 to CS-4

(BLER: 50 events/s, frame filling = 12/52)

Prop. cond.	Error rate	Stat. sign.	Indep. samples	Station. proc.	Samples:	Time: (s)
static	BLER=10%	300	2	-	600	12,0
TU50	BLER=10%	300	2	5 200	5 200	104,0
TU50 (SFH)	BLER=10%	300	2	5 200	5 200	104,0
RA250	BLER=10%	300	2	1 083	1 083	21,7
HT100	BLER=10%	300	2	2 600	2 600	52,0
TI5	BLER=10%	300	2	52 008	52 008	1 040
TU3	BLER=10%	300	2	86 680	86 680	1 733,6
TU3 (SFH)	BLER=10%	300	2	86 680	86 680	1 733,6

GSM 900 PRACH (11 bits), PRACH (8 bits)

(BLER: 217 events/s, frame filling = 1)

Prop. cond.	Error rate	Stat. sign.	Indep. samples	Station. proc.	Samples:	Time: (s)
static	BLER=15%	200	2	-	400	8.0
TU50	BLER=15%	200	2	5 208	5 208	104.1
TU50 (SFH)	BLER=15%	200	2	5 208	5 208	104.1
RA250	BLER=15%	200	2	1 085	1 085	21.7
HT100	BLER=15%	200	2	2 604	2 604	52.1
TI5	BLER=15%	200	2	52 080	52 080	1 041.6
TU3	BLER=15%	200	2	86 800	86 800	1 736
TU3 (SFH)	BLER=15%	200	2	86 800	86 800	1 736

GSM 900 PACCH

(BLER: 50 events/s, frame filling = 12/52)

Prop. Cond.	Error rate	Stat. sign.	Indep. samples	Station. proc.	Samples:	Time: (s)
Static	BLER=10%	300	2	-	3 000	60.0
TU50	BLER=10%	300	2	5 200	5 200	104.0
TU50 (SFH)	BLER=10%	300	2	5 200	5 200	104.0
RA250	BLER=10%	300	2	1 083	1 083	21.7
HT100	BLER=10%	300	2	2 600	2 600	52.0
TI5	BLER=10%	300	2	52 008	52 008	1 040
TU3	BLER=10%	300	2	86 680	86 680	1 733.6
TU3 (SFH)	BLER=10%	300	2	86 680	86 680	1 733.6

C.2 DCS 1800; Number of Samples for Testing

DCS 1800 SDCCH

(FER: 4.25 events/s, frame filling = 4/51)

Prop. cond.	Error rate	Stat. sign.	Indep. samples	Station. proc.	Samples:	Time: (s)
static	FER=0.10%	30 000	2	-	60 000	14 117.6
TU50	FER=9.0%	333	2	1 301	1 301	306.1
RA130	FER=8.0%	375	2	521	750	176.5
HT100	FER=13.0%	231	2	651	651	153.2
TU1.5	FER=22%	136	2	43 350	43 350	10 200.0
TU1.5(SFH)	FER=9.0%	333	2	43 350	43 350	10 200.0
TU50(SFH)	FER=9%	333	2	1 301	1 301	306.1
TI5	FER=13%	231	2	13 005	13 005	3 060

DCS 1800 RACH

(FER: 217 events/s, frame filling = 1)

Prop. cond.	Error rate	Stat. sign.	Indep. samples	Station. proc.	Samples:	Time: (s)
static	FER=0.50%	6 000	2	-	12 000	55.3
TU50	FER=13%	231	2	5 208	5 208	24.0
RA130	FER=12%	250	2	2 087	2 087	10.0
HT100	FER=13%	231	2	2 604	2 604	12.0
TU1.5	FER=15%	200	2	173 600	173 600	800.0
TU1.5(SFH)	FER=15%	200	2	173 600	173 600	800.0
TU50	FER=16%	188	2	5 208	5 208	24.0
RA130	FER=13%	231	2	2 087	2 087	10.0
TU50(SFH)	FER=13%	231	2	5 208	5 208	24.0
TI5	FER=13%	231	2	52 080	52 080	3063.5
TU50(SFH)	FER=16%	188	2	5208	5208	24
TI5	FER=16%	188	2	52 080	52 080	3063.5

DCS 1800 SACCH/T

(FER: 2.1 events/s, frame filling = 1/26)

Prop. cond.	Error rate	Stat. sign.	Indep. samples	Station. proc.	Samples:	Time: (s)
static	FER=0.10%	30 000	2	-	60 000	28 571.4
TU50	FER=9.0%	333	2	1 311	1 311	624.3
RA130	FER=8.0%	375	2	525	750	357.1
HT100	FER=13%	231	2	656	656	312.4
TU1.5	FER=22%	136	2	43 680	43 680	20 800.0
TU1.5(SFH)	FER=9.0%	333	2	43 680	43 680	20 800.0
TU50(SFH)	FER=9%	333	2	1 311	1 311	624.3
TI5	FER=13%	231	2	13 104	13 104	6 240.0

DCS 1800 SACCH/C

(FER: 2.13 events/s, frame filling = 4/102)

Prop. cond.	Error rate	Stat. sign.	Indep. samples	Station. proc.	Samples:	Time: (s)
static	FER=0.10%	30 000	2	-	60 000	28 169.0
TU50	FER=9%	333	2	1 304	1 304	612.2
RA130	FER=8.0%	375	2	523	750	352.1
HT100	FER=13%	251	2	652	652	306.1
TU1.5	FER=22%	136	2	43 452	43 452	20 400.0
TU1.5(SFH)	FER=9.0%	333	2	43 452	43 452	20 400.0
TU50(SFH)	FER=9%	333	2	1 304	1 304	612.2
TI5	FER=13%	231	2	26 071	26 071	12 240

DCS 1800 FACCH/F

(FER: 50 events/s, frame filling = 24/26)

Prop. cond.	Error rate	Stat. sign.	Indep. samples	Station. proc.	Samples:	Time: (s)
static	FER=0.10%	30 000	4	-	120 000	2 400.0
TU50	FER=3.9%	769	4	1 300	3 076	61.5
RA130	FER=3.4%	882	4	521	3 528	70.6
HT100	FER=7.4%	405	4	650	1 620	32.4
TU1.5	FER=22%	136	4	43 334	43 334	866.7
TU1.5(SFH)	FER=3.4%	882	4	43 334	43 334	866.7
TU50	FER=3.4%	882	4	1 300	3 528	70.6
RA130	FER=3.5%	857	4	521	3 428	68.6
TU50(SFH)	FER=3.9%	769	4	1 300	3 076	61.5
TI5	FER=8.0%	375	4	13 000	13 000	260.0
TU50(SFH)	FER=3.4%	882	4	1 300	3 528	70.6
TI5	FER=9.5%	316	4	13 000	13 000	260.0
TU50	FER=6.1%	492	4	1 300	1 968	39.4
TI5	FER=17.1%	176	4	13 000	13 000	260.0

DCS 1800 FACCH/H

(FER: 25 events/s, frame filling = 12/26)

Prop. cond.	Error rate	Stat. sign.	Indep. samples	Station. proc.	Samples:	Time: (s)
static	FER=0.10%	30 000	4	-	120 000	4 800.0
TU50	FER=7.2%	417	4	1 300	1 668	66.7
RA130	FER=5.7%	526	4	521	2 104	84.2
HT100	FER=10.4%	288	4	650	1 152	46.1
TU1.5	FER=22%	136	4	43 334	43 334	1733.4
TU1.5(SFH)	FER=6.7%	448	4	43 334	43 334	1733.4
TU50	FER=6.9%	435	4	1 300	1 740	69.6
TU50(SFH)	FER=7.2%	417	4	1 300	1 668	66.7
TI5	FER=6.9%	435	4	13 000	13 000	520.0
TU50(SFH)	FER=6.9%	435	4	1 300	1 740	69.6
TI5	FER=6.7%	448	4	13 000	13 000	520.0

DCS 1800 TCH/F9.6

(BER: 12000 events/s, frame filling = 24/26)

Prop. cond.	Error rate	Stat. sign.	Indep. samples	Station. proc.	Samples:	Time: (s)
static	BER=1.0E-5	3 000 000	10	-	30 000 000	2 500.0
TU50	BER=0.40%	7 500	10	312 000	312 000	26.0
RA130	BER=0.10%	30 000	10	125 000	300 000	25.0
HT100	BER=0.70%	4 286	10	156 000	156 000	13.0
TU1.5	BER=8.0%	375	10	10 400 000	10 400 000	866.7
TU1.5(SFH)	BER=0.30%	10 000	10	10 400 000	10 400 000	866.7
TU50	BER=0.80%	3 750	10	312 000	312 000	26.0
TU50 (SFH)	BER=0.3%	10 000	10	312 000	312 000	26.0
RA130	BER=0.20%	15 000	10	125 000	150 000	12.5
TU50(SFH)	BER=0.4%	7 500	10	312 000	312 000	26.0
TI5	BER=0.5%	6 000	10	3 120 000	3 120 000	260.0
TI5	BER=0.8%	3 750	10	3 120 000	3 120 000	260.0

DCS 1800 TCH/H4.8

(BER: 6000 events/s, frame filling = 12/26)

Prop. cond.	Error rate	Stat. sign.	Indep. samples	Station. proc.	Samples:	Time: (s)
static	BER=1.0E-5	3000 000	10	-	30000 000	5 000.0
TU50	BER=0.40%	7 500	10	312 000	312 000	52.0
RA130	BER=0.10%	30 000	10	125 000	300 000	50.0
HT100	BER=0.70%	4 286	10	156 000	156 000	26.0
TU1.5	BER=8.0%	375	10	10400 000	10400 000	1733.4
TU1.5(SFH)	BER=0.30%	10 000	10	10400 000	10400 000	1733.4
TU50	BER=0.80%	3 750	10	312 000	312 000	52.0
TU50(SFH)	BER=0.3%	10 000	10	312 000	312 000	52.0
RA130	BER=0.20%	15 000	10	125 000	150 000	25.0
TU50(SFH)	BER=0.40%	7 500	10	312 000	312 000	52.0
TI5	BER=0.50%	6 000	10	3 120 000	3 120 000	520.0
TI5	BER=0.80%	3 750	10	3 120 000	3 120 000	520.0

DCS 1800 TCH/F4.8

(BER: 6000 events/s, frame filling = 24/26)

Prop. cond.	Error rate	Stat. sign.	Indep. samples	Station. proc.	Samples:	Time: (s)
TU50	BER=1.0E-4	300 000	10	156 000	3000 000	500.0
RA130	BER=1.0E-4	300 000	10	62 500	3000 000	500.0
HT100	BER=1.0E-4	300 000	10	78 000	3000 000	500.0
TU1.5	BER=3.0%	1 000	10	5200 000	5200 000	866.7
TU1.5(SFH)	BER=1.0E-4	300 000	10	5200 000	5200 000	866.7
TU50(SFH)	BER=1.0E-4	300 000	10	1 560 000	3 000 000	260.0
TI5	BER=1.0E-4	300 000	10	1 560 000	3 000 000	260.0

DCS 1800 TCH/F2.4

(BER: 3600 events/s, frame filling = 24/26)

Prop. cond.	Error rate	Stat. sign.	Indep. samples	Station. proc.	Samples:	Time: (s)
TU50	BER=1.0E-5	3000 000	10	93 600	30000 000	8 333.3
RA130	BER=1.0E-5	3000 000	10	7 500	30000 000	8 333.3
HT100	BER=1.0E-5	3000 000	10	46 800	30000 000	8 333.3
TU1.5	BER=3.0%	1 000	10	3120 000	3120 000	866.7
TU1.5(SFH)	BER=1.0E-5	3000 000	10	3120 000	30000 000	8 333.3
TU50(SFH)	BER=1.0 ^E -5	3000 000	10	93 600	30000 000	8 333.3
TI5	BER=2.0 ^E -4	150 000	10	936 000	1 500 000	416.7
TI5	BER=1.0 ^E -4	300 000	10	93 600	3 000 000	833.3

DCS 1800 TCH/H2.4

(BER: 3600 events/s, frame filling = 12/26)

Prop. cond.	Error rate	Stat. sign.	Ind. samples	Station. proc.	Samples:	Time: (s)
TU50	BER=1.0E-4	300 000	10	187 200	3000 000	833.3
RA130	BER=1.0E-4	300 000	10	75 000	3000 000	833.3
HT100	BER=1.0E-4	300 000	10	93 600	3000 000	833.3
TU1.5	BER=4.0%	750	10	6240 000	6240 000	1733.4
TU1.5(SFH)	BER=1.0E-4	300 000	10	6240 000	6240 000	1733.4
TU50(SFH)	BER=1.0 ^E -4	300 000	10	187 200	3000 000	833.3
TI5	BER=1.0E-4	300 000	10	1 872 000	3 000 000	833.3
TI5	BER=2.0E-4	150 000	10	1 872 000	1 872 000	520.0

DCS 1800 TCH/FS

(FER: 50 events/s, RBER class Ib: 6600 events/s, RBER class II: 3900 events/s, frame filling = 24/26)

Prop. cond.	Error rate	Stat. sign.	Ind. samples	Station. proc	Samples:	Time: (s)
static	FER=0.10%	30 000	4	-	120 000	2 400.0
Ib	RBER=0.40%	7 500	10	-	75 000	11.4
II	RBER=2.0%	1 500	10	-	15 000	3.8
TU50	FER=3.0%	1000	4	1 300	4 000	80.0
Ib	RBER=0.30%	10 000	10	171 600	171 600	26.0
II	RBER=8.0%	375	10	101 400	101 400	26.0
RA130	FER=2.0%	1 500	4	521	6 000	120.0
Ib	RBER=0.20%	15 000	10	68 750	150 000	22.7
II	RBER=7.0%	429	10	40 625	40 625	10.4
HT100	FER=7.0%	429	4	650	1 716	34.3
Ib	RBER=0.50%	6 000	10	85 800	85 800	13.0
II	RBER=9.0%	333	10	50 700	50 700	13.0
TU1.5	FER=21%	143	4	43 334	43 334	866.7
Ib	RBER=2.0%	1 500	10	5720 000	5720 000	866.7
II	RBER=4.0%	750	10	3380 000	3380 000	866.7
TU1.5(SFH)	FER=3.0%	1 000	4	43 334	43 334	866.7
Ib	RBER=0.20%	15 000	10	5720 000	5730 000	866.7
II	RBER=8.0%	375	10	3380 000	3380 000	866.7
TU50	FER=3.0%	1 000	4	1 300	4 000	80.0
Ib	RBER=0.25%	12 500	10	171 600	171 600	26.0
II	RBER=8.1%	370	10	101 400	101 400	26.0
RA130	FER=3.0%	1 000	4	521	4 000	80.0
Ib	RBER=0.20%	15 000	10	71 500	150 000	22.7
II	RBER=8.0%	375	10	42 250	42 250	10.8
static II	RBER=1.0E-4	300 000	10	-	3000 000	769.2
EQU50	II RBER=3.0%	1 000	10	101 400	101 400	26.0
Static	FER=5%	600	4	-	2400	48.0
TU50(SFH)	FER=3.0%	1000	4	1 300	4 000	80.0
Ib	RBER=0.30%	10 000	10	171 600	171 600	26.0
II	RBER=8.0%	375	10	101 400	101 400	26.0
TI5	FER=6.0%	500	4	13 000	13 000	260.0
Ib	RBER=0.40%	7500	10	1 716 000	1 716 000	260.0
II	RBER=8.0%	375	10	1 014 000	1 014 000	260.0
TU50(SFH)	FER=3.0%	1000	4	1 300	4000	80.0
Ib	RBER=0.25%	12000	10	171 600	171 600	26.0
II	RBER=8.1%	370	10	101 400	101 400	26.0
TU50	FER=5.1%	588	4	1 300	2 352	47.0
Ib	RBER=0.45%	6667	10	171 600	171 600	26.0
II	RBER=8.9%	337	10	101 400	101 400	26.0
TI5	FER=10.2%	294	4	13 000	13 000	260.0
Ib	RBER=0.72%	4167	10	1 716 000	1 716 000	260.0
II	RBER=8.8%	341	10	1 014 000	1 014 000	260.0

GSM 1800 TCH/F14.4

(BER: 14500 events/s, frame filling = 24/26)

Prop. cond.	Error rate	Stat. sign.	Indep. Samples	Station. proc.	Samples:	Time: (s)
static	BER=1.0E-5	3 000 000	10	-	30 000 000	2 069.0
TU50	BER=2.1%	1 429	10	377 000	377 000	26.0
TU50(SFH)	BER=2.0%	1 500	10	377 000	377 000	26.0
RA130	BER=2.0%	1 500	10	150 800	150 800	10.4
HT100	BER=6.5%	462	10	188 500	188 500	13.0
TU1.5	BER=10.0%	300	10	12 566 667	12 566 667	866.7
TU1.5(SFH)	BER=3.0%	1 000	10	12 566 667	12 566 667	866.7
TU50	BER=4.0%	750	10	377 000	377 000	26.0
TU50(SFH)	BER=3.1%	968	10	377 000	377 000	26.0
RA130	BER=3.0%	1 000	10	150 800	150 800	10.4
TI5	BER=2.5%	1 200	10	3 770 000	3 770 000	260.0
TI5	BER=4.5%	667	10	3 770 000	3 770 000	260.0

DCS 1800 TCH/HS

(FER: 50 events/s, RBER class Ib: 3650 events/s, RBER class II: 850 events/s, frame filling = 12/26)

Prop. cond.	Error rate	Stat. sign.	Indep. samples	Station. proc	Samples:	Time: (s)
static (FER)	0.025%	120 000	4	-	480 000	9 600.0
Ib	0.001%	3 000 000	10	-	30 000 000	8 219.2
II	0.720%	4 167	10	-	41 667	49.0
TU50 (FER)	4.20%	714	4	2 600	2 857	57.1
Ib	0.38%	7 895	10	189 800	189 800	52.0
II	6.90%	435	10	44 200	44 200	52.0
RA130 (FER)	4.10%	732	4	1 040	2 927	58.5
Ib	0.28%	10 714	10	75 920	107 143	29.4
II	6.80%	441	10	17 680	17 680	20.8
HT100 (FER)	5.00%	600	4	1 300	2 400	48.0
Ib	0.63%	4 762	10	94 900	94 900	26.0
II	7.80%	385	10	22 100	22 100	26.0
TU1.5 (FER)	19.10%	157	4	86 667	86 667	1 733.3
Ib	0.52%	5 769	10	6 326 667	6 326 667	1 733.3
II	2.80%	1 071	10	1 473 333	1 473 333	1 733.3
TU50 (FER)	5.00%	600	4	2 600	2 600	52.0
Ib	0.29%	10 345	10	189 800	189 800	52.0
II	7.20%	417	10	44 200	44 200	52.0
RA130 (FER)	4.70%	638	4	1 040	2 553	51.1
Ib	0.21%	14 286	10	75 920	142 857	39.1
II	7.00%	429	10	17 680	17 680	20.8
TU50 (SFH) FER	4.20%	714	4	2 600	2 857	57.1
Ib	0.38%	7 895	10	189 800	189 800	52.0
II	6.90%	435	10	44 200	44 200	52.0
TI5 (FER)	4.10%	732	4	26 000	26 000	520.0
Ib	0.36%	8 333	10	1 898 000	1 898 000	520.0
II	6.90%	435	10	442 000	442 000	520.0
TU50 (SFH) FER	5.00%	600	4	2 600	2 600	52.0
Ib	0.29%	10 345	10	189 800	189 800	52.0
II	7.20%	417	10	44 200	44 200	52.0
TI5 (FER)	5.00%	600	4	26 000	26 000	520.0
Ib	0.29%	10 345	10	1 898 000	1 898 000	520.0
II	7.20%	417	10	442 000	442 000	520.0

To reduce the testing time on static FER and RBER class 1b the factor $k = P_b/P_s$ may be increased from $k = 2$ to $k > 2$ thus resulting in reasonable reductions of the test times, see table below. If this test fails, the test may be repeated with the number of samples given in the table above.

Prop. cond.	$k = P_b/P_s$	Stat. sign.	Indep. samples	Samples:	Time: (s)	Probability of no error (1 - p)
static (FER)	2.5	60 000	4	240 000	4800 (1h20')	6.8 %
1b	2.5	1 500 000	10	15 000 000	4110 (1h08')	6.8 %
static (FER)	3.0	40 000	4	160 000	2880 (48')	15.8 %
1b	3.0	1 000 000	10	10 000 000	2466 (41')	15.8 %

DCS 1800 TCH/EFS

(FER: 50 events/s, RBER class 1b: 6600 events/s, RBER class II: 3900 events/s, frame filling = 24/26)

Prop. cond.	Error rate	Stat. sign.	Indep. samples	Station. proc	Samples:	Time: (s)
Static	FER=0.10%	30 000	4	-	120 000	2 400.0
1b	RBER=0.10%	30 000	10	-	300 000	45.5
II	RBER=2.0%	1 500	10	-	15 000	3.8
TU50	FER=4.0%	750	4	1 300	3 000	60.0
1b	RBER=0.12%	25 000	10	171 600	250 000	37.9
II	RBER=8.0%	375	10	101 400	101 400	26.0
TU50 (SFH)	FER=4.0%	750	4	1 300	3 000	60.0
1b	RBER=0.12%	25 000	10	171 600	250 000	37.9
II	RBER=8.0%	375	10	101 400	101 400	26.0
RA130	FER=3.0%	1 000	4	520	4 000	80.0
1b	RBER=0.10%	30 000	10	68 640	300 000	45.5
II	RBER=7.0%	429	10	40 560	40 560	10.4
HT100	FER=7.0%	429	4	650	1 716	34.3
1b	RBER=0.24%	12 500	10	85 800	125 000	18.9
II	RBER=9.0%	333	10	50 700	50 700	13.0
TU1.5	FER=23.0%	130	4	43 334	43 334	866.7
1b	RBER=0.20%	15 000	10	5720 000	5720 000	866.7
II	RBER=3.0%	1 000	10	3380 000	3380 000	866.7
TU1.5(SFH)	FER=3.0%	1 000	4	43 334	43 334	866.7
1b	RBER=0.1%	30 000	10	5720 000	5720 000	866.7
II	RBER=8.0%	375	10	3380 000	3380 000	866.7
TU50	FER=3.0%	1 000	4	1 300	4 000	80.0
1b	RBER=0.10%	30 000	10	171 600	300 000	45.5
II	RBER=9.0%	333	10	101 400	101 400	26.0
TU50(SFH)	FER=3.0%	1 000	4	1 300	4 000	80.0
1b	RBER=0.10%	30 000	10	171 600	300 000	45.5
II	RBER=9.0%	1 000	10	101 400	101 400	26.0
RA130	FER=4.0%	750	4	520	3 000	60.0
1b	RBER=0.13%	23 077	10	68 640	300 000	45.5
II	RBER=8.0%	375	10	40 560	40 560	10.4
T15	FER=8.0%	375	4	13 000	13 000	260.0
1b	RBER=0.21%	14 286	10	1 716 000	1 716 000	260.0
II	RBER=7.0%	429	10	1 014 000	1 014 000	260.0
T15	FER=9.0%	333	4	13 000	13 000	260.0
1b	RBER=0.20%	15 000	10	1 716 000	1 716 000	260.0
II	RBER=7.0%	429	10	1 014 000	1 014 000	260.0

GSM 1800 TCH/AFS12.2

(FER: 50 events/s, RBER class Ib: 12200 events/s, frame filling = 24/26)

Prop. cond.	Error rate	Stat. sign.	Indep. samples	Station. proc.	Samples:	Time: (s)
Static (Ib)	RBER = 0,001 %	3000000	10	-	30000000	2459
TU50 (no SFH)	FER = 2 %	1500	4	1300	6000	120
Ib	RBER = 1,4 %	2142,9	10	317200	317200	26
TU50 (ideal SFH)	FER = 2 %	1500	4	1300	6000	120
Ib	RBER = 1,4 %	2142,9	10	317200	317200	26
RA130 (no SFH)	FER = 1,3 %	2307,7	4	520	9230,8	184,6
Ib	RBER = 1,2 %	2500	10	126880	126880	10,4
HT100 (no SFH)	FER = 4,6 %	652,2	4	650	2608,7	52,2
Ib	RBER = 2,1 %	1428,6	10	158600	158600	13
TI5 (no SFH)	FER = 4,9 %	612,2	4	13000	13000	260
Ib	RBER = 1,5 %	2000	10	3172000	3172000	260
TU1.5 (no SFH)	FER = 22 %	136,4	4	43333,3	43333,3	866,7
Ib	RBER = 0,92 %	3260,9	10	10573333,3	10573333,3	866,7
TU50 (no SFH)	FER = 2,7 %	1111,1	4	1300	4444,4	88,9
Ib	RBER = 1,6 %	1875	10	317200	317200	26
TU50 (ideal SFH)	FER = 2,7 %	1111,1	4	1300	4444,4	88,9
Ib	RBER = 1,6 %	1875	10	317200	317200	26
RA130 (no SFH)	FER = 1,8 %	1666,7	4	520	6666,7	133,3
Ib	RBER = 1,4 %	2142,9	10	126880	126880	10,4
TI5 (no SFH)	FER = 6 %	500	4	13000	13000	260
Ib	RBER = 1,7 %	1764,7	10	3172000	3172000	260

GSM 1800 TCH/AFS10.2

(FER: 50 events/s, RBER class Ib: 10200 events/s, frame filling = 24/26)

Prop. cond.	Error rate	Stat. sign.	Indep. samples	Station. proc.	Samples:	Time: (s)
Static (Ib)	RBER = 0,001 %	3000000	10	0	30000000	2941,2
TU50 (no SFH)	FER = 0,65 %	4615,4	4	1300	18461,5	369,2
Ib	RBER = 0,12 %	25000	10	265200	265200	26
TU50 (ideal SFH)	FER = 0,65 %	4615,4	4	1300	18461,5	369,2
Ib	RBER = 0,12 %	25000	10	265200	265200	26
RA130 (no SFH)	FER = 0,41 %	7317,1	4	520	29268,3	585,4
Ib	RBER = 0,084 %	35714,3	10	106080	357142,9	35
HT100 (no SFH)	FER = 1,6 %	1875	4	650	7500	150
Ib	RBER = 0,26 %	11538,5	10	132600	132600	13
TI5 (no SFH)	FER = 2,1 %	1428,6	4	13000	13000	260
Ib	RBER = 0,23 %	13043,5	10	2652000	2652000	260
TU1.5 (no SFH)	FER = 18 %	166,7	4	43333,3	43333,3	866,7
Ib	RBER = 0,54 %	5555,6	10	8840000	8840000	866,7
TU50 (no SFH)	FER = 0,98 %	3061,2	4	1300	12244,9	244,9
Ib	RBER = 0,17 %	17647,1	10	265200	265200	26
TU50 (ideal SFH)	FER = 0,98 %	3061,2	4	1300	12244,9	244,9
Ib	RBER = 0,17 %	17647,1	10	265200	265200	26
RA130 (no SFH)	FER = 0,56 %	5357,1	4	520	21428,6	428,6
Ib	RBER = 0,12 %	25000	10	106080	250000	24,5
TI5 (no SFH)	FER = 2,7 %	1111,1	4	13000	13000	260
Ib	RBER = 0,3 %	10000	10	2652000	2652000	260

GSM 1800 TCH/AFS7.95

(FER: 50 events/s, RBER class Ib: 7950 events/s, frame filling = 24/26)

Prop. cond.	Error rate	Stat. sign.	Indep. samples	Station. proc.	Samples:	Time: (s)
TU50 (no SFH)	FER = 0,025 %	120000	4	1300	480000	9600
Ib	RBER = 0,023 %	130434,8	10	206700	1304347,8	164,1
TU50 (ideal SFH)	FER = 0,025 %	120000	4	1300	480000	9600
Ib	RBER = 0,023 %	130434,8	10	206700	1304347,8	164,1
RA130 (no SFH)	FER = 0,018 %	166666,7	4	520	666666,7	13333,3
Ib	RBER = 0,016 %	187500	10	82680	1875000	235,8
HT100 (no SFH)	FER = 0,089 %	33707,9	4	650	134831,5	2696,6
Ib	RBER = 0,061 %	49180,3	10	103350	491803,3	61,9
TI5 (no SFH)	FER = 0,36 %	8333,3	4	13000	33333,3	666,7
Ib	RBER = 0,11 %	27272,7	10	2067000	2067000	260
TU1.5 (no SFH)	FER = 13 %	230,8	4	43333,3	43333,3	866,7
Ib	RBER = 0,67 %	4477,6	10	6890000	6890000	866,7
TU50 (no SFH)	FER = 0,07 %	42857,1	4	1300	171428,6	3428,6
Ib	RBER = 0,042 %	71428,6	10	206700	714285,7	89,8
TU50 (ideal SFH)	FER = 0,07 %	42857,1	4	1300	171428,6	3428,6
Ib	RBER = 0,042 %	71428,6	10	206700	714285,7	89,8
RA130 (no SFH)	FER = 0,029 %	103448,3	4	520	413793,1	8275,9
Ib	RBER = 0,03 %	100000	10	82680	1000000	125,8
TI5 (no SFH)	FER = 0,51 %	5882,4	4	13000	23529,4	470,6
Ib	RBER = 0,15 %	20000	10	2067000	2067000	260
TU1.5 (no SFH)	FER = 25 %	120	4	43333,3	43333,3	866,7
Ib	RBER = 1,2 %	2500	10	6890000	6890000	866,7
TU50 (no SFH)	FER = 2 %	1500	4	1300	6000	120
Ib	RBER = 0,68 %	4411,8	10	206700	206700	26
TU50 (ideal SFH)	FER = 2 %	1500	4	1300	6000	120
Ib	RBER = 0,68 %	4411,8	10	206700	206700	26
RA130 (no SFH)	FER = 1,2 %	2500	4	520	10000	200
Ib	RBER = 0,48 %	6250	10	82680	82680	10,4
TI5 (no SFH)	FER = 5,3 %	566	4	13000	13000	260
Ib	RBER = 1 %	3000	10	2067000	2067000	260

GSM 1800 TCH/AFS7.4

(FER: 50 events/s, RBER class Ib: 7400 events/s, frame filling = 24/26)

Prop. cond.	Error rate	Stat. sign.	Indep. samples	Station. proc.	Samples:	Time: (s)
TU50 (no SFH)	FER = 0,036 %	83333,3	4	1300	333333,3	6666,7
lb	RBER = 0,013 %	230769,2	10	192400	2307692,3	311,9
TU50 (ideal SFH)	FER = 0,036 %	83333,3	4	1300	333333,3	6666,7
lb	RBER = 0,013 %	230769,2	10	192400	2307692,3	311,9
RA130 (no SFH)	FER = 0,023 %	130434,8	4	520	521739,1	10434,8
lb	RBER = 0,007 %	428571,4	10	76960	4285714,3	579,2
HT100 (no SFH)	FER = 0,13 %	23076,9	4	650	92307,7	1846,2
lb	RBER = 0,031 %	96774,2	10	96200	967741,9	130,8
TI5 (no SFH)	FER = 0,41 %	7317,1	4	13000	29268,3	585,4
lb	RBER = 0,054 %	55555,6	10	1924000	1924000	260
TU1.5 (no SFH)	FER = 14 %	214,3	4	43333,3	43333,3	866,7
lb	RBER = 0,43 %	6976,7	10	6413333,3	6413333,3	866,7
TU50 (no SFH)	FER = 0,083 %	36144,6	4	1300	144578,3	2891,6
lb	RBER = 0,02 %	150000	10	192400	1500000	202,7
TU50 (ideal SFH)	FER = 0,083 %	36144,6	4	1300	144578,3	2891,6
lb	RBER = 0,02 %	150000	10	192400	1500000	202,7
RA130 (no SFH)	FER = 0,047 %	63829,8	4	520	255319,1	5106,4
lb	RBER = 0,012 %	250000	10	76960	2500000	337,8
TI5 (no SFH)	FER = 0,56 %	5357,1	4	13000	21428,6	428,6
lb	RBER = 0,072 %	41666,7	10	1924000	1924000	260
TU1.5 (no SFH)	FER = 26 %	115,4	4	43333,3	43333,3	866,7
lb	RBER = 0,8 %	3750	10	6413333,3	6413333,3	866,7
TU50 (no SFH)	FER = 2,3 %	1304,3	4	1300	5217,4	104,3
lb	RBER = 0,32 %	9375	10	192400	192400	26
TU50 (ideal SFH)	FER = 2,3 %	1304,3	4	1300	5217,4	104,3
lb	RBER = 0,32 %	9375	10	192400	192400	26
RA130 (no SFH)	FER = 1,4 %	2142,9	4	520	8571,4	171,4
lb	RBER = 0,22 %	13636,4	10	76960	136363,6	18,4
TI5 (no SFH)	FER = 5,4 %	555,6	4	13000	13000	260
lb	RBER = 0,52 %	5769,2	10	1924000	1924000	260

GSM 1800 TCH/AFS6.7

(FER: 50 events/s, RBER class Ib: 6700 events/s, frame filling = 24/26)

Prop. cond.	Error rate	Stat. sign.	Indep. samples	Station. proc.	Samples:	Time: (s)
TU50 (no SFH)	FER = 0,01 %	300000	4	1300	1200000	24000
Ib	RBER = 0,017 %	176470,6	10	174200	1764705,9	263,4
TU50 (ideal SFH)	FER = 0,01 %	300000	4	1300	1200000	24000
Ib	RBER = 0,017 %	176470,6	10	174200	1764705,9	263,4
RA130 (no SFH)	FER = 0,01 %	300000	4	520	1200000	24000
Ib	RBER = 0,01 %	300000	10	69680	3000000	447,8
HT100 (no SFH)	FER = 0,031 %	96774,2	4	650	387096,8	7741,9
Ib	RBER = 0,041 %	73170,7	10	87100	731707,3	109,2
TI5 (no SFH)	FER = 0,16 %	18750	4	13000	75000	1500
Ib	RBER = 0,082 %	36585,4	10	1742000	1742000	260
TU1.5 (no SFH)	FER = 11 %	272,7	4	43333,3	43333,3	866,7
Ib	RBER = 0,76 %	3947,4	10	5806666,7	5806666,7	866,7
TU50 (no SFH)	FER = 0,025 %	120000	4	1300	480000	9600
Ib	RBER = 0,028 %	107142,9	10	174200	1071428,6	159,9
TU50 (ideal SFH)	FER = 0,025 %	120000	4	1300	480000	9600
Ib	RBER = 0,028 %	107142,9	10	174200	1071428,6	159,9
RA130 (no SFH)	FER = 0,01 %	300000	4	520	1200000	24000
Ib	RBER = 0,016 %	187500	10	69680	1875000	279,9
TI5 (no SFH)	FER = 0,021 %	142857,1	4	13000	571428,6	11428,6
Ib	RBER = 0,11 %	27272,7	10	1742000	1742000	260
TU1.5 (no SFH)	FER = 22 %	136,4	4	43333,3	43333,3	866,7
Ib	RBER = 1,4 %	2142,9	10	5806666,7	5806666,7	866,7
TU50 (no SFH)	FER = 0,82 %	3658,5	4	1300	14634,1	292,7
Ib	RBER = 0,51 %	5882,4	10	174200	174200	26
TU50 (ideal SFH)	FER = 0,82 %	3658,5	4	1300	14634,1	292,7
Ib	RBER = 0,51 %	5882,4	10	174200	174200	26
RA130 (no SFH)	FER = 0,41 %	7317,1	4	520	29268,3	585,4
Ib	RBER = 0,34 %	8823,5	10	69680	88235,3	13,2
TI5 (no SFH)	FER = 2,9 %	1034,5	4	13000	13000	260
Ib	RBER = 0,86 %	3488,4	10	1742000	1742000	260

GSM 1800 TCH/AFS5.9

(FER: 50 events/s, RBER class Ib: 5900 events/s, frame filling = 24/26)

Prop. cond.	Error rate	Stat. sign.	Indep. samples	Station. proc.	Samples:	Time: (s)
TU50 (no SFH)	FER = 0,01 %	300000	4	1300	1200000	24000
lb	RBER = 0,001 %	3000000	10	153400	3000000	5084,7
TU50 (ideal SFH)	FER = 0,01 %	300000	4	1300	1200000	24000
lb	RBER = 0,001 %	3000000	10	153400	3000000	5084,7
RA130 (no SFH)	FER = 0,01 %	300000	4	520	1200000	24000
lb	RBER = 0,001 %	3000000	10	61360	3000000	5084,7
HT100 (no SFH)	FER = 0,01 %	300000	4	650	1200000	24000
lb	RBER = 0,002 %	1500000	10	76700	1500000	2542,4
TI5 (no SFH)	FER = 0,094 %	31914,9	4	13000	127659,6	2553,2
lb	RBER = 0,014 %	214285,7	10	1534000	2142857,1	363,2
TU1.5 (no SFH)	FER = 10 %	300	4	43333,3	43333,3	866,7
lb	RBER = 0,38 %	7894,7	10	5113333,3	5113333,3	866,7
TU50 (no SFH)	FER = 0,01 %	300000	4	1300	1200000	24000
lb	RBER = 0,002 %	1500000	10	153400	1500000	2542,4
TU50 (ideal SFH)	FER = 0,01 %	300000	4	1300	1200000	24000
lb	RBER = 0,002 %	1500000	10	153400	1500000	2542,4
RA130 (no SFH)	FER = 0,01 %	300000	4	520	1200000	24000
lb	RBER = 0,001 %	3000000	10	61360	3000000	5084,7
TI5 (no SFH)	FER = 0,12 %	25000	4	13000	100000	2000
lb	RBER = 0,022 %	136363,6	10	1534000	1534000	260
TU1.5 (no SFH)	FER = 21 %	142,9	4	43333,3	43333,3	866,7
lb	RBER = 0,72 %	4166,7	10	5113333,3	5113333,3	866,7
TU50 (no SFH)	FER = 0,41 %	7317,1	4	1300	29268,3	585,4
lb	RBER = 0,079 %	37974,7	10	153400	379746,8	64,4
TU50 (ideal SFH)	FER = 0,41 %	7317,1	4	1300	29268,3	585,4
lb	RBER = 0,079 %	37974,7	10	153400	379746,8	64,4
RA130 (no SFH)	FER = 0,2 %	15000	4	520	60000	1200
lb	RBER = 0,046 %	65217,4	10	61360	652173,9	110,5
TI5 (no SFH)	FER = 2 %	1500	4	13000	13000	260
lb	RBER = 0,23 %	13043,5	10	1534000	1534000	260

GSM 1800 TCH/AFS5.15

(FER: 50 events/s, RBER class Ib: 5150 events/s, frame filling = 24/26)

Prop. cond.	Error rate	Stat. sign.	Indep. samples	Station. proc.	Samples:	Time: (s)
TU50 (no SFH)	FER = 0,01 %	300000	4	1300	1200000	24000
Ib	RBER = 0,001 %	3000000	10	133900	3000000	5825,2
TU50 (ideal SFH)	FER = 0,01 %	300000	4	1300	1200000	24000
Ib	RBER = 0,001 %	3000000	10	133900	3000000	5825,2
RA130 (no SFH)	-	-	4	520	-	-
Ib	RBER = 0,01 %	300000	10	53560	3000000	582,5
HT100 (no SFH)	FER = 0,004 %	750000	4	650	3000000	60000
Ib	RBER = 0,003 %	1000000	10	66950	1000000	1941,7
TI5 (no SFH)	FER = 0,07 %	42857,1	4	13000	171428,6	3428,6
Ib	RBER = 0,014 %	214285,7	10	1339000	2142857,1	416,1
TU1.5 (no SFH)	FER = 9,2 %	326,1	4	43333,3	43333,3	866,7
Ib	RBER = 0,45 %	6666,7	10	4463333,3	4463333,3	866,7
TU50 (no SFH)	FER = 0,01 %	300000	4	1300	1200000	24000
Ib	RBER = 0,001 %	3000000	10	133900	3000000	5825,2
TU50 (ideal SFH)	FER = 0,01 %	300000	4	1300	1200000	24000
Ib	RBER = 0,001 %	3000000	10	133900	3000000	5825,2
RA130 (no SFH)	FER = 0,01 %	300000	4	520	1200000	24000
Ib	RBER = 0,001 %	3000000	10	53560	3000000	5825,2
TI5 (no SFH)	FER = 0,081 %	37037	4	13000	148148,1	2963
Ib	RBER = 0,019 %	157894,7	10	1339000	1578947,4	306,6
TU1.5 (no SFH)	FER = 19 %	157,9	4	43333,3	43333,3	866,7
Ib	RBER = 0,84 %	3571,4	10	4463333,3	4463333,3	866,7
TU50 (no SFH)	FER = 0,26 %	11538,5	4	1300	46153,8	923,1
Ib	RBER = 0,072 %	41666,7	10	133900	416666,7	80,9
TU50 (ideal SFH)	FER = 0,26 %	11538,5	4	1300	46153,8	923,1
Ib	RBER = 0,072 %	41666,7	10	133900	416666,7	80,9
RA130 (no SFH)	FER = 0,13 %	23076,9	4	520	92307,7	1846,2
Ib	RBER = 0,038 %	78947,4	10	53560	789473,7	153,3
TI5 (no SFH)	FER = 1,4 %	2142,9	4	13000	13000	260
Ib	RBER = 0,22 %	13636,4	10	1339000	1339000	260

GSM 1800 TCH/AFS4.75

(FER: 50 events/s, RBER class Ib: 4750 events/s, frame filling = 24/26)

Prop. cond.	Error rate	Stat. sign.	Indep. samples	Station. proc.	Samples:	Time: (s)
TU50 (no SFH)	FER = 0,01 %	300000	4	1300	1200000	24000
Ib	RBER = 0,001 %	3000000	10	123500	30000000	6315,8
TU50 (ideal SFH)	-	-	4	1300	-	-
Ib	RBER = 0,001 %	3000000	10	123500	30000000	6315,8
RA130 (no SFH)	-	-	4	520	-	-
Ib	RBER = 0,001 %	3000000	10	49400	30000000	6315,8
HT100 (no SFH)	FER = 0,01 %	300000	4	650	1200000	24000
Ib	RBER = 0,001 %	3000000	10	61750	30000000	6315,8
TI5 (no SFH)	FER = 0,029 %	103448,3	4	13000	413793,1	8275,9
Ib	RBER = 0,005 %	600000	10	1235000	6000000	1263,2
TU1.5 (no SFH)	FER = 7,9 %	379,7	4	43333,3	43333,3	866,7
Ib	RBER = 0,31 %	9677,4	10	4116666,7	4116666,7	866,7
TU50 (no SFH)	FER = 0,01 %	300000	4	1300	1200000	24000
Ib	RBER = 0,001 %	3000000	10	123500	30000000	6315,8
TU50 (ideal SFH)	FER = 0,01 %	300000	4	1300	1200000	24000
Ib	RBER = 0,001 %	3000000	10	123500	30000000	6315,8
RA130 (no SFH)	-	-	4	520	-	-
Ib	RBER = 0,001 %	3000000	10	49400	30000000	6315,8
TI5 (no SFH)	FER = 0,036 %	83333,3	4	13000	333333,3	6666,7
Ib	RBER = 0,036 %	83333,3	10	1235000	1235000	260
TU1.5 (no SFH)	FER = 17 %	176,5	4	43333,3	43333,3	866,7
Ib	RBER = 0,61 %	4918	10	4116666,7	4116666,7	866,7
TU50 (no SFH)	FER = 0,1 %	30000	4	1300	120000	2400
Ib	RBER = 0,021 %	142857,1	10	123500	1428571,4	300,8
TU50 (ideal SFH)	FER = 0,1 %	30000	4	1300	120000	2400
Ib	RBER = 0,021 %	142857,1	10	123500	1428571,4	300,8
RA130 (no SFH)	FER = 0,051 %	58823,5	4	520	235294,1	4705,9
Ib	RBER = 0,009 %	333333,3	10	49400	3333333,3	701,8
TI5 (no SFH)	FER = 0,82 %	3658,5	4	13000	14634,1	292,7
Ib	RBER = 0,11 %	27272,7	10	1235000	1235000	260

GSM 1800 TCH/AHS7.95

(FER: 50 events/s, RBER class Ib: 2800 events/s, RBER class II : 1800 events/s, frame filling = 12/26)

Prop. cond.	Error rate	Stat. sign.	Indep. samples	Station. proc.	Samples:	Time: (s)
Static	FER = 0,01 %	300000	4	-	1200000	24000
Ib	RBER = 0,004 %	750000	10	-	7500000	2678,6
II	RBER = 0,66 %	4545,5	10	-	45454,5	25,3
TU50 (no SFH)	FER = 20 %	150	4	2600	2600	52
Ib	RBER = 2,3 %	1304,3	10	145600	145600	52
II	RBER = 5 %	600	10	93600	93600	52
TU50 (ideal SFH)	FER = 20 %	150	4	2600	2600	52
Ib	RBER = 2,3 %	1304,3	10	145600	145600	52
II	RBER = 5 %	600	10	93600	93600	52
RA130 (no SFH)	FER = 17 %	176,5	4	1040	1040	20,8
Ib	RBER = 2 %	1500	10	58240	58240	20,8
II	RBER = 4,8 %	625	10	37440	37440	20,8
HT100 (no SFH)	FER = 27 %	111,1	4	1300	1300	26
Ib	RBER = 2,9 %	1034,5	10	72800	72800	26
II	RBER = 5,7 %	526,3	10	46800	46800	26
TI5 (no SFH)	FER = 20 %	150	4	26000	26000	520
Ib	RBER = 2,3 %	1304,3	10	1456000	1456000	520
II	RBER = 5 %	600	10	936000	936000	520
TU1.5 (no SFH)	FER = 27 %	111,1	4	86666,7	86666,7	1733,3
Ib	RBER = 0,85 %	3529,4	10	4853333,3	4853333,3	1733,3
II	RBER = 1,7 %	1764,7	10	3120000	3120000	1733,3
TU50 (no SFH)	FER = 23 %	130,4	4	2600	2600	52
Ib	RBER = 2,3 %	1304,3	10	145600	145600	52
II	RBER = 5,1 %	588,2	10	93600	93600	52
TU50 (ideal SFH)	FER = 23 %	130,4	4	2600	2600	52
Ib	RBER = 2,3 %	1304,3	10	145600	145600	52
II	RBER = 5,1 %	588,2	10	93600	93600	52
RA130 (no SFH)	FER = 20 %	150	4	1040	1040	20,8
Ib	RBER = 2,1 %	1428,6	10	58240	58240	20,8
II	RBER = 5,1 %	588,2	10	37440	37440	20,8
TI5 (no SFH)	FER = 22 %	136,4	4	26000	26000	520
Ib	RBER = 2,3 %	1304,3	10	1456000	1456000	520
II	RBER = 5,3 %	566	10	936000	936000	520
TU1.5 (no SFH)	FER = 14 %	214,3	4	86666,7	86666,7	1733,3
Ib	RBER = 0,49 %	6122,4	10	4853333,3	4853333,3	1733,3
II	RBER = 1 %	3000	10	3120000	3120000	1733,3
TU50 (no SFH)	FER = 6,7 %	447,8	4	2600	2600	52
Ib	RBER = 1 %	3000	10	145600	145600	52
II	RBER = 3,1 %	967,7	10	93600	93600	52
TU50 (ideal SFH)	FER = 6,7 %	447,8	4	2600	2600	52
Ib	RBER = 1 %	3000	10	145600	145600	52
II	RBER = 3,1 %	967,7	10	93600	93600	52
RA130 (no SFH)	FER = 6,5 %	461,5	4	1040	1846,2	36,9
Ib	RBER = 0,98 %	3061,2	10	58240	58240	20,8
II	RBER = 3,1 %	967,7	10	37440	37440	20,8
TI5 (no SFH)	FER = 6,7 %	447,8	4	26000	26000	520
Ib	RBER = 1 %	3000	10	1456000	1456000	520
II	RBER = 3,2 %	937,5	10	936000	936000	520

GSM 1800 TCH/AHS7.4

(FER: 50 events/s, RBER class Ib: 2950 events/s, RBER class II : 1400 events/s, frame filling = 12/26)

Prop. cond.	Error rate	Stat. sign.	Indep. samples	Station. proc.	Samples:	Time: (s)
Static	FER = 0,01 %	300000	4	-	1200000	24000
Ib	RBER = 0,001 %	3000000	10	-	30000000	10169,5
II	RBER = 0,66 %	4545,5	10	-	45454,5	32,5
TU50 (no SFH)	FER = 16 %	187,5	4	2600	2600	52
Ib	RBER = 1,4 %	2142,9	10	153400	153400	52
II	RBER = 5,3 %	566	10	72800	72800	52
TU50 (ideal SFH)	FER = 16 %	187,5	4	2600	2600	52
Ib	RBER = 1,4 %	2142,9	10	153400	153400	52
II	RBER = 5,3 %	566	10	72800	72800	52
RA130 (no SFH)	FER = 13 %	230,8	4	1040	1040	20,8
Ib	RBER = 1,1 %	2727,3	10	61360	61360	20,8
II	RBER = 5,1 %	588,2	10	29120	29120	20,8
HT100 (no SFH)	FER = 22 %	136,4	4	1300	1300	26
Ib	RBER = 1,9 %	1578,9	10	76700	76700	26
II	RBER = 6 %	500	10	36400	36400	26
TI5 (no SFH)	FER = 16 %	187,5	4	26000	26000	520
Ib	RBER = 1,4 %	2142,9	10	1534000	1534000	520
II	RBER = 5,3 %	566	10	728000	728000	520
TU1.5 (no SFH)	FER = 26 %	115,4	4	86666,7	86666,7	1733,3
Ib	RBER = 0,69 %	4347,8	10	5113333,3	5113333,3	1733,3
II	RBER = 1,9 %	1578,9	10	2426666,7	2426666,7	1733,3
TU50 (no SFH)	FER = 18 %	166,7	4	2600	2600	52
Ib	RBER = 1,4 %	2142,9	10	153400	153400	52
II	RBER = 5,5 %	545,5	10	72800	72800	52
TU50 (ideal SFH)	FER = 18 %	166,7	4	2600	2600	52
Ib	RBER = 1,4 %	2142,9	10	153400	153400	52
II	RBER = 5,5 %	545,5	10	72800	72800	52
RA130 (no SFH)	FER = 16 %	187,5	4	1040	1040	20,8
Ib	RBER = 1,3 %	2307,7	10	61360	61360	20,8
II	RBER = 5,4 %	555,6	10	29120	29120	20,8
TI5 (no SFH)	FER = 18 %	166,7	4	26000	26000	520
Ib	RBER = 1,4 %	2142,9	10	1534000	1534000	520
II	RBER = 5,6 %	535,7	10	728000	728000	520
TU1.5 (no SFH)	FER = 13 %	230,8	4	86666,7	86666,7	1733,3
Ib	RBER = 0,39 %	7692,3	10	5113333,3	5113333,3	1733,3
II	RBER = 1,2 %	2500	10	2426666,7	2426666,7	1733,3
TU50 (no SFH)	FER = 4,9 %	612,2	4	2600	2600	52
Ib	RBER = 0,51 %	5882,4	10	153400	153400	52
II	RBER = 3,3 %	909,1	10	72800	72800	52
TU50 (ideal SFH)	FER = 4,9 %	612,2	4	2600	2600	52
Ib	RBER = 0,51 %	5882,4	10	153400	153400	52
II	RBER = 3,3 %	909,1	10	72800	72800	52
RA130 (no SFH)	FER = 4,8 %	625	4	1040	2500	50
Ib	RBER = 0,47 %	6383	10	61360	63829,8	21,6
II	RBER = 3,3 %	909,1	10	29120	29120	20,8
TI5 (no SFH)	FER = 5,1 %	588,2	4	26000	26000	520
Ib	RBER = 0,51 %	5882,4	10	1534000	1534000	520
II	RBER = 3,3 %	909,1	10	728000	728000	520

GSM 1800 TCH/AHS6.7

(FER: 50 events/s, RBER class Ib: 2750 events/s, RBER class II : 1200 events/s, frame filling = 12/26)

Prop. cond.	Error rate	Stat. sign.	Indep. samples	Station. proc.	Samples:	Time: (s)
Static	FER = 0,01 %	300000	4	-	1200000	24000
Ib	RBER = 0,001 %	3000000	10	-	30000000	10909,1
II	RBER = 0,66 %	4545,5	10	-	45454,5	37,9
TU50 (no SFH)	FER = 9,4 %	319,1	4	2600	2600	52
Ib	RBER = 1,1 %	2727,3	10	143000	143000	52
II	RBER = 5,8 %	517,2	10	62400	62400	52
TU50 (ideal SFH)	FER = 9,4 %	319,1	4	2600	2600	52
Ib	RBER = 1,1 %	2727,3	10	143000	143000	52
II	RBER = 5,8 %	517,2	10	62400	62400	52
RA130 (no SFH)	FER = 7,5 %	400	4	1040	1600	32
Ib	RBER = 0,92 %	3260,9	10	57200	57200	20,8
II	RBER = 5,5 %	545,5	10	24960	24960	20,8
HT100 (no SFH)	FER = 13 %	230,8	4	1300	1300	26
Ib	RBER = 1,5 %	2000	10	71500	71500	26
II	RBER = 6,6 %	454,5	10	31200	31200	26
TI5 (no SFH)	FER = 9,2 %	326,1	4	26000	26000	520
Ib	RBER = 1,1 %	2727,3	10	1430000	1430000	520
II	RBER = 5,8 %	517,2	10	624000	624000	520
TU1.5 (no SFH)	FER = 23 %	130,4	4	86666,7	86666,7	1733,3
Ib	RBER = 0,71 %	4225,4	10	4766666,7	4766666,7	1733,3
II	RBER = 2,3 %	1304,3	10	2080000	2080000	1733,3
TU50 (no SFH)	FER = 12 %	250	4	2600	2600	52
Ib	RBER = 1,2 %	2500	10	143000	143000	52
II	RBER = 6 %	500	10	62400	62400	52
TU50 (ideal SFH)	FER = 12 %	250	4	2600	2600	52
Ib	RBER = 1,2 %	2500	10	143000	143000	52
II	RBER = 6 %	500	10	62400	62400	52
RA130 (no SFH)	FER = 9,9 %	303	4	1040	1212,1	24,2
Ib	RBER = 1 %	3000	10	57200	57200	20,8
II	RBER = 6 %	500	10	24960	24960	20,8
TI5 (no SFH)	FER = 11 %	272,7	4	26000	26000	520
Ib	RBER = 1,2 %	2500	10	1430000	1430000	520
II	RBER = 6,2 %	483,9	10	624000	624000	520
TU1.5 (no SFH)	FER = 11 %	272,7	4	86666,7	86666,7	1733,3
Ib	RBER = 0,39 %	7692,3	10	4766666,7	4766666,7	1733,3
II	RBER = 1,4 %	2142,9	10	2080000	2080000	1733,3
TU50 (no SFH)	FER = 2,5 %	1200	4	2600	4800	96
Ib	RBER = 0,38 %	7894,7	10	143000	143000	52
II	RBER = 3,5 %	857,1	10	62400	62400	52
TU50 (ideal SFH)	FER = 2,5 %	1200	4	2600	4800	96
Ib	RBER = 0,38 %	7894,7	10	143000	143000	52
II	RBER = 3,5 %	857,1	10	62400	62400	52
RA130 (no SFH)	FER = 2,5 %	1200	4	1040	4800	96
Ib	RBER = 0,37 %	8108,1	10	57200	81081,1	29,5
II	RBER = 3,5 %	857,1	10	24960	24960	20,8
TI5 (no SFH)	FER = 2,3 %	1304,3	4	26000	26000	520
Ib	RBER = 0,39 %	7692,3	10	1430000	1430000	520
II	RBER = 3,6 %	833,3	10	624000	624000	520

GSM 1800 TCH/AHS5.9

(FER: 50 events/s, RBER class Ib: 2350 events/s, RBER class II : 800 events/s, frame filling = 12/26)

Prop. cond.	Error rate	Stat. sign.	Indep. samples	Station. proc.	Samples:	Time: (s)
Static (II)	RBER = 0,66 %	4545,5	10	-	45454,5	56,8
TU50 (no SFH)	FER = 5,9 %	508,5	4	2600	2600	52
Ib	RBER = 0,52 %	5769,2	10	122200	122200	52
II	RBER = 6,1 %	491,8	10	41600	41600	52
TU50 (ideal SFH)	FER = 5,9 %	508,5	4	2600	2600	52
Ib	RBER = 0,52 %	5769,2	10	122200	122200	52
II	RBER = 6,1 %	491,8	10	41600	41600	52
RA130 (no SFH)	FER = 4,6 %	652,2	4	1040	2608,7	52,2
Ib	RBER = 0,39 %	7692,3	10	48880	76923,1	32,7
II	RBER = 5,8 %	517,2	10	16640	16640	20,8
HT100 (no SFH)	FER = 8,5 %	352,9	4	1300	1411,8	28,2
Ib	RBER = 0,72 %	4166,7	10	61100	61100	26
II	RBER = 6,8 %	441,2	10	20800	20800	26
TI5 (no SFH)	FER = 5,7 %	526,3	4	26000	26000	520
Ib	RBER = 0,51 %	5882,4	10	1222000	1222000	520
II	RBER = 6 %	500	10	416000	416000	520
TU1.5 (no SFH)	FER = 21 %	142,9	4	86666,7	86666,7	1733,3
Ib	RBER = 0,55 %	5454,5	10	4073333,3	4073333,3	1733,3
II	RBER = 2,6 %	1153,8	10	1386666,7	1386666,7	1733,3
TU50 (no SFH)	FER = 7,7 %	389,6	4	2600	2600	52
Ib	RBER = 0,6 %	5000	10	122200	122200	52
II	RBER = 6,4 %	468,8	10	41600	41600	52
TU50 (ideal SFH)	FER = 7,7 %	389,6	4	2600	2600	52
Ib	RBER = 0,6 %	5000	10	122200	122200	52
II	RBER = 6,4 %	468,8	10	41600	41600	52
RA130 (no SFH)	FER = 6,4 %	468,8	4	1040	1875	37,5
Ib	RBER = 0,48 %	6250	10	48880	62500	26,6
II	RBER = 6,3 %	476,2	10	16640	16640	20,8
TI5 (no SFH)	FER = 7,1 %	422,5	4	26000	26000	520
Ib	RBER = 0,57 %	5263,2	10	1222000	1222000	520
II	RBER = 6,5 %	461,5	10	416000	416000	520

GSM 1800 TCH/AHS5.15

(FER: 50 events/s, RBER class Ib: 2100 events/s, RBER class II : 600 events/s, frame filling = 12/26)

Prop. cond.	Error rate	Stat. sign.	Indep. samples	Station. proc.	Samples:	Time: (s)
Static (II)	RBER = 0,66 %	4545,5	10	-	45454,5	75,8
TU50 (no SFH)	FER = 2,6 %	1153,8	4	2600	4615,4	92,3
Ib	RBER = 0,53 %	5660,4	10	109200	109200	52
II	RBER = 6,3 %	476,2	10	31200	31200	52
TU50 (ideal SFH)	FER = 2,6 %	1153,8	4	2600	4615,4	92,3
Ib	RBER = 0,53 %	5660,4	10	109200	109200	52
II	RBER = 6,3 %	476,2	10	31200	31200	52
RA130 (no SFH)	FER = 2 %	1500	4	1040	6000	120
Ib	RBER = 0,4 %	7500	10	43680	75000	35,7
II	RBER = 6,1 %	491,8	10	12480	12480	20,8
HT100 (no SFH)	FER = 3,7 %	810,8	4	1300	3243,2	64,9
Ib	RBER = 0,76 %	3947,4	10	54600	54600	26
II	RBER = 7,2 %	416,7	10	15600	15600	26
TI5 (no SFH)	FER = 2,5 %	1200	4	26000	26000	520
Ib	RBER = 0,51 %	5882,4	10	1092000	1092000	520
II	RBER = 6,3 %	476,2	10	312000	312000	520
TU1.5 (no SFH)	FER = 17 %	176,5	4	86666,7	86666,7	1733,3
Ib	RBER = 0,8 %	3750	10	3640000	3640000	1733,3
II	RBER = 3,1 %	967,7	10	1040000	1040000	1733,3
TU50 (no SFH)	FER = 3,8 %	789,5	4	2600	3157,9	63,2
Ib	RBER = 0,66 %	4545,5	10	109200	109200	52
II	RBER = 6,8 %	441,2	10	31200	31200	52
TU50 (ideal SFH)	FER = 3,8 %	789,5	4	2600	3157,9	63,2
Ib	RBER = 0,66 %	4545,5	10	109200	109200	52
II	RBER = 6,8 %	441,2	10	31200	31200	52
RA130 (no SFH)	FER = 3,1 %	967,7	4	1040	3871	77,4
Ib	RBER = 0,53 %	5660,4	10	43680	56603,8	27
II	RBER = 6,6 %	454,5	10	12480	12480	20,8
TI5 (no SFH)	FER = 3,3 %	909,1	4	26000	26000	520
Ib	RBER = 0,6 %	5000	10	1092000	1092000	520
II	RBER = 6,9 %	434,8	10	312000	312000	520

GSM 1800 TCH/AHS4.75

(FER: 50 events/s, RBER class Ib: 2200 events/s, RBER class II : 600 events/s, frame filling = 12/26)

Prop. cond.	Error rate	Stat. sign.	Indep. samples	Station. proc.	Samples:	Time: (s)
Static (II)	RBER = 0,66 %	4545,5	10	-	45454,5	75,8
TU50 (no SFH)	FER = 1,2 %	2500	4	2600	10000	200
Ib	RBER = 0,18 %	16666,7	10	114400	166666,7	75,8
II	RBER = 6,5 %	461,5	10	31200	31200	52
TU50 (ideal SFH)	FER = 1,2 %	2500	4	2600	10000	200
Ib	RBER = 0,18 %	16666,7	10	114400	166666,7	75,8
II	RBER = 6,5 %	461,5	10	31200	31200	52
RA130 (no SFH)	FER = 1,1 %	2727,3	4	1040	10909,1	218,2
Ib	RBER = 0,13 %	23076,9	10	45760	230769,2	104,9
II	RBER = 6,2 %	483,9	10	12480	12480	20,8
HT100 (no SFH)	FER = 1,7 %	1764,7	4	1300	7058,8	141,2
Ib	RBER = 0,25 %	12000	10	57200	120000	54,5
II	RBER = 7,3 %	411	10	15600	15600	26
TI5 (no SFH)	FER = 1,2 %	2500	4	26000	26000	520
Ib	RBER = 0,17 %	17647,1	10	1144000	1144000	520
II	RBER = 6,4 %	468,8	10	312000	312000	520
TU1.5 (no SFH)	FER = 15 %	200	4	86666,7	86666,7	1733,3
Ib	RBER = 0,6 %	5000	10	3813333,3	3813333,3	1733,3
II	RBER = 3,6 %	833,3	10	1040000	1040000	1733,3
TU50 (no SFH)	FER = 2,1 %	1428,6	4	2600	5714,3	114,3
Ib	RBER = 0,25 %	12000	10	114400	120000	54,5
II	RBER = 7 %	428,6	10	31200	31200	52
TU50 (ideal SFH)	FER = 2,1 %	1428,6	4	2600	5714,3	114,3
Ib	RBER = 0,25 %	12000	10	114400	120000	54,5
II	RBER = 7 %	428,6	10	31200	31200	52
RA130 (no SFH)	FER = 1,8 %	1666,7	4	1040	6666,7	133,3
Ib	RBER = 0,19 %	15789,5	10	45760	157894,7	71,8
II	RBER = 6,8 %	441,2	10	12480	12480	20,8
TI5 (no SFH)	FER = 1,8 %	1666,7	4	26000	26000	520
Ib	RBER = 0,22 %	13636,4	10	1144000	1144000	520
II	RBER = 7 %	428,6	10	312000	312000	520

GSM 1800 PDTCH/CS-1 to CS-4

(BLER: 50 events/s, frame filling = 12/52)

Prop. cond.	Error rate	Stat. sign.	Indep. samples	Station. proc.	Samples:	Time: (s)
static	BLER=10%	300	2	-	600	12.0
TU50	BLER=10%	300	2	5 200	5 200	104.0
TU50 (SFH)	BLER=10%	300	2	5 200	5 200	104.0
RA130	BLER=10%	300	2	2 080	2 080	41.6
HT100	BLER=10%	300	2	2 600	2 600	52.0
TI5	BLER=10%	300	2	52 008	52 008	1 040.2
TU1.5	BLER=10%	300	2	173 360	173 360	3 467.2
TU1.5 (SFH)	BLER=10%	300	2	173 360	173 360	3 467.2

GSM 1800 PRACH (11 bits), PRACH (8 bits)

(BLER: 217 events/s, frame filling = 1)

Prop. cond.	Error rate	Stat. sign.	Indep. samples	Station. proc.	Samples:	Time: (s)
static	BLER=15%	200	2	-	400	8.0
TU50	BLER=15%	200	2	5 208	5 208	104.2
TU50 (SFH)	BLER=15%	200	2	5 208	5 208	104.2
RA130	BLER=15%	200	2	2 083	2 083	41.7
HT100	BLER=15%	200	2	2 604	2 604	52.1
TI5	BLER=15%	200	2	52 080	52 080	1 041.6
TU1.5	BLER=15%	200	2	173 600	173 600	3 472.0
TU1.5 (SFH)	BLER=15%	200	2	173 600	173 600	3 472.0

GSM 1800 PACCH

(BLER: 50 events/s, frame filling = 12/52)

Prop. cond.	Error rate	Stat. sign.	Indep. samples	Station. proc.	Samples:	Time: (s)
static	BLER=10%	300	2	-	600	12.0
TU50	BLER=10%	300	2	5 200	5 200	104.0
TU50 (SFH)	BLER=10%	300	2	5 200	5 200	104.0
RA130	BLER=10%	300	2	2 080	2 080	41.6
HT100	BLER=10%	300	2	2 600	2 600	52.0
TI5	BLER=10%	300	2	52 008	52 008	1 040.2
TU1.5	BLER=10%	300	2	173 360	173 360	3 467.2
TU1.5 (SFH)	BLER=10%	300	2	173 360	173 360	3 467.2

Annex D (informative): Change history

This annex lists all change requests approved for the present document since the first phase 2 version was approved by ETSI SMG.

SMG / GP#	SMG/GP tdoc	SMG8/G3/G1 tdoc	VERS	CR	R	PH	CAT	SUBJECT	Resulting Version
S12	584/94		4.0.0	001		2	F	Amendments to GSM 11.21; revision of static and multipath reference sensitivity tests, and editorial changes	4.1.0
S13	99/95		4.1.0	002		2	F	Frequency range for E-GSM 900	4.2.0
	99/95		4.1.0	003		2	F	Types of implementation of frequency hopping	4.2.0
	99/95		4.1.0	004		2	F	Section 4.1.6.3, number of static power steps	4.2.0
	99/95		4.1.0	005		2	F	Spectrum due to modulation	4.2.0
	99/95		4.1.0	006		2	F	Intermodulation attenuation	4.2.0
	99/95		4.1.0	007		2	F	Definition of test environment for section 4.1.7.8	4.2.0
	99/95		4.1.0	009		2	D	Annex 2: Number of samples needed for statistical testing	4.2.0
S15	401/95		4.2.0	010		2	3	Reformatting	4.3.0
	401/95		4.2.0	011		2	1	new sections	4.3.0
	401/95		4.2.0	012		2	1	Splitting of conformance requirements	4.3.0
	401/95		4.2.0	013		2	1	Definition of extreme power supply conditions	4.3.0
	401/95		4.2.0	014		2	F	Corrections of inconsistencies	4.3.0
	401/95		4.2.0	015		2	3	Testing of reference interference	4.3.0
	401/95		4.2.0	016		2	1	Testing of reference sensitivity and interference	4.3.0
	401/95		4.2.0	017		2	1	Measurement BW for intermodulation attenuation tests	4.3.0
S16	566/95		4.3.0	018		2	1	Measurement uncertainties	4.4.0
	566/95		4.3.0	019		2	2	Mean transmitted RF carrier power	4.4.0
	566/95		4.3.0	020		2	1	Intermodulation attenuation	4.4.0
	566/95		4.3.0	021		2	2	Erroneous frame indication performance	4.4.0
	566/95		4.3.0	022		2	1	Reference sensitivity; testing of essential conformance	4.4.0
	566/95		4.3.0	023		2	1	AM suppression	4.4.0
	566/95		4.3.0	024		2	F	Measurement BW for transmitted RF carrier power vs time	4.4.0
	566/95		4.3.0	025		2	3	Editorial corrections and clarifications	4.4.0
S17	092/96		4.4.0	026		2	F	CR to GSM 11.21 section 7.5, Reference interference	4.5.0
	092/96		4.4.0	027		2	F	Testing of switching transients spectrum	4.5.0
	092/96		4.4.0	028		2	F	Measurement uncertainties	4.5.0
	092/96		4.4.0	029		2	F	BTS configurations	4.5.0
	092/96		4.4.0	030		2	F	Mean transmitted RF carrier power	4.5.0
	092/96		4.4.0	031		2	D	Configuration of BTS for section 6.2	4.5.0
	092/96		4.4.0	032		2	F	Testing of Multipath reference sensitivity with TU 50	4.5.0
	092/96		4.4.0	033		2	D	Section 6.4	4.5.0
S18	253/96		4.5.0	A034		2	F	Incorporation of technical PE comments	4.6.0
	265/96		4.5.0	A035		2	F	Correction of Tables for intermodulation limits in receive band	4.6.0
	253/96		4.5.0	A036		2	F	Incorporation of editorial and technical PE comments	4.6.0
	253/96		4.5.0	A037		2	F	Spectrum due to modulation and wideband noise: definition and correction	4.6.0
S20	606/96	52/96	4.6.0	A038		2	F	Correction of inconsistency with 05.05	4.7.0
	606/96	53/96	4.6.0	A039		2	F	Correction of statistical tables in informative annex	4.7.0
	627/96	29/96	4.6.0	A040		2	F	Maintenance of consistency with GSM 05.05	4.7.0
s22	348/97	006/97	4.7.1	A041		2	F	Deletion of TU3 and TU1.5 tests	5.0.0
	349/97		4.7.1	A049		2+	B	Definition of R-GSM band and the associated RF-parameters	5.0.0
s23	783/97	050/97	5.0.0	A051		R96	B	Addition of Radio Link Management chapter	5.1.0
	783/97	052/97	5.0.0	A053		R96	B	Testing BSS with ancillary FR amplifiers	5.1.0
	783/97	057/97	5.0.0	A055		R96	B	BSS using Antenna arrays	5.1.0
	783/97	064/97	5.0.0	A057		R96	B	Definition of EFR test cases	5.1.0

SMG / GP#	SMG/GP tdoc	SMG8/G3/G1 tdoc	VERS	CR	R	PH	CAT	SUBJECT	Resulting Version
	783/97	061/97	5.0.0	A058		R96	B	Addition of 14.4 test case	5.1.0
	783/97	060/97	5.0.0	A059		R96	B	Conversion of phase 2+ TS to phase2 and 2+ EN	5.1.0
s25	98-0164	98p028	5.1.0	A060		R96	D	Conducted spurious emissions from the antenna connector	5.2.0
	98-0164	98p029	5.1.0	A061		R96	D	Intra BTS intermodulation attenuation	5.2.0
	98-0164	98p025	5.1.0	A062		R96	B	Definition of the number of samples required for TCH/HS	5.2.0
	98-0165	98p009	5.1.0	A063		R96	A	Measurement of average signal level through a multipath fading simulator	5.2.0
s26	98-394	98p035	5.2.0	A069		R96	F	Definition of timeslot to use for testing of Spectrum due to modulation, subclause 6.5.1.	5.3.0
	98-394	98p037	5.2.0	A070		R96	D	Environmental conditions during essential conformance testing	5.3.0
	98-394	98p045	5.2.0	A071		R96	F	Ancillary RF amplifier	5.3.0
	98-394	98p054	5.2.0	A072		R96	B	New requirements for static layer 1 receiver functions	5.3.0
	98-441	98p058	5.2.0	A073		R96	F	Clarification of "relevant" and "operational" bands	5.3.0
	98-394	98p060	5.2.0	A075		R96	F	Resolution of PE comment SE3	5.3.0
	98-394	98p061	5.2.0	A076		R96	F	Resolution of PE comment UK2	5.3.0
s27	98-742	98p091	5.3.0	A077		R96	F	Addition to chap. 4.10.5 to define a BTS with separated antenna ports	5.4.0
	98-742	98p105	5.3.0	A079		R96	F	Reduction of Half Rate Speech (TCH/HS) number of samples to be tested as defined in Annex C1 and C2 for static FER and RBER class 1b.	5.4.0
	98-742	98p104	5.3.0	A082		R96	F	Erroneous frame indication performance	5.4.0
	98-742	98p098	5.3.0	A083		R96	D	Clarification on conformance requirements for testcases 6.7/6.8	5.4.0
s28	99-064	98p123	5.4.0	A085		R96	D	Spurious emissions from the receiver antenna connector	7.0.0
	99-064	98p126	5.4.0	A086		R96	A	Speeds for Multipath Fading profiles	7.0.0
	99-064	98p132	5.4.0	A087		R96	A	Multipath Reference Sensitivity Level	7.0.0
	99-064	98p139	5.4.0	A089		R96	A	Clarification on number of power steps	7.0.0
	99-064	98p134	5.4.0	A090		R96	A	Correction of multipath error performance limits	7.0.0
	99-064	98p137	5.4.0	A092		R97	B	GPRS Test Cases	7.0.0
	99-064	98p100	5.4.0	A095		R98	B	Pico-BTS requirements	7.0.0
	99-064	98p107	5.4.0	A096		R98	B	Pico-BTS requirements section 6.2.	7.0.0
s29	99-477	416/99	7.0.0	A099		R98		Correction regarding transmitter tests	7.1.0
	99-477	420/99	7.0.0	A101		R98		Removal of power levels in Watts in table 3	7.1.0
	99-477	418/99	7.0.0	A102	1	R98		Adding Pico requirements to GPRS sections	7.1.0
	99-477	491/99	7.0.0	A104		R98		Testing of BTSs that can be equipped with various configurations of antenna combiners	7.1.0
	99-477	528/99	7.0.0	A106		R98		Clarification on tests at extreme power supply	7.1.0
	99-477	614/99	7.0.0	A108		R98		Updates to annex A and C	7.1.0
s30	99-624	1372/99	7.1.0	A019	1	R98		Correction to Section 7.4 Multipath Reference Sensitivity	7.2.0
	99-624	1373/99	7.1.0	A113	1	R98		Clarification of Intra BSS intermodulation attenuation test purpose	7.2.0
	99-624	1378/99	7.1.0	A114	2	R98		Introduction of AMR requirements	7.2.0
	99-624	1245/99	7.1.0	A112		R98		C/I requirements for PicoBTS in GSM 1800	7.2.0
s30b	99-810	1596/99	7.2.0	A118		R98		Correction of tables in sections 6.7, 6.8 for Pico BTS	8.0.0
	99-811	1938/99	7.2.0	A115	2	R99		Introduction of GSM 400, PCS 1900, MXM 850 and MXM 1900	8.0.0
	99-812	1935/99	7.2.0	A117	2	R99		Changes in clause 1- 6 due to EDGE introduction	8.0.0
s31	00-099	442/00	8.0.0	A119	2	R99		Modification EDGE TX test cases	8.1.0
	00-099	449/00	8.0.0	A120	2	R99		EDGE RX test cases	8.1.0
	00-099	481/00	8.0.0	A121	1	R99		Switching Transients for 8-PSK	8.1.0
s31b	00-190	865/00	8.1.0	A122	1	R99		EDGE TX-test cases and uncertainties	8.2.0
	00-190	868/00	8.1.0	A123	1	R99		EDGE radio link management test cases	8.2.0
	00-191	532/00	8.1.0	A124		R99		Corrections of GSM 400 Spurious	8.2.0
	00-190	869/00	8.1.0	A125	2	R99		Changes in clause 7 due to EDGE and GSM850	8.2.0
s32	00-251	1208/00	8.2.0	A130		R99	B	Channels to be tested for AMR included	8.3.0
	00-252	1209/00	8.2.0	A126	2	R99	B	New subcaluse 9.4.4 Signal quality EGPRS	8.3.0
	00-252	974/00	8.2.0	A128		R99	C	Correction of acceptable measurement uncertainty	8.3.0
	00-252	1211/00	8.2.0	A129	1	R99	B	Missing values in table 19c	8.3.0
	00-259	1210/00	8.2.0	A127	2	R99	B	Spurious requirements in UMTS bands	8.3.0
GP1	GP-000365	GP-000365	8.3.0	A134	1	R99	F	Correction of Blocking and AM suppression test case in GSM11.21	8.4.0
	GP-000366	GP-000366	8.3.0	A131	1	R99	F	Changes in clause 7 due to EDGE and GSM 05.01	8.4.0
	GP-000367	GP-000367	8.3.0	A132	1	R99	F	Correction of test case for Signal quality, EGPRS	8.4.0

SMG / GP#	SMG/GP tdoc	SMG8/G3/G1 tdoc	VERS	CR	R	PH	CAT	SUBJECT	Resulting Version
	GP-000368	GP-000368	8.3.0	A133	1	R99	F	Correction of spurious requirements in UMTS bands	8.4.0
GP2	GP-000864	GP-000864	8.4.0	A135	1	R99	F	Modification of complete conformance, AM suppression	8.5.0
	GP-000515	GP-000515	8.4.0	A136		R99	F	Relaxation of PDTCH/CS-4 C/I requirements	8.5.0
	GP-000866	GP-000866	8.4.0	A137	2	R99	F	Additions to facilitate test on MXM systems	8.5.0
	GP-000525	GP-000525	8.4.0	A138		R99	F	Change of referenced specification for test site requirements for Radiated Spurious Emissions, Base Station testing	8.5.0
	GP-000865	GP-000865	8.4.0	A139	1	R99	F	BTS output power capability and requirements with 8PSK	8.5.0
GP4	GP-010480	GP-010480	8.5.0	A142		R99	F	Relaxation of Power versus time.	8.6.0
GP4	GP-010485	GP-010485	8.5.0	A147		R99	F	Correction of error parameter in Table 15	8.6.0
GP4	GP-010486	GP-010486	8.5.0	A148		R99	F	Testing of blocking requirements for MXM 1900 BTS	8.6.0
GP4	GP-010487	GP-010487	8.5.0	A149		R99	F	Alignment of AM suppression test for MXM 850/1900 normal BTS	8.6.0
GP4	GP-010901	GP-010901	8.5.0	A150	1	R99	F	Relaxed uncertainty for EVM	8.6.0
GP4	GP-010682	GP-010682	8.5.0	A141	1	R99	F	Intermodulation attenuation test method for MXM-850/1900 Systems	8.6.0
GP4	GP-010902	GP-010902	8.5.0	A143	1	R99	F	Correction of phase 2 references	8.6.0
GP4	GP-010483	GP-010483	8.5.0	A145		R99	F	Alternative test procedure for vibration.	8.6.0
GP7								Version for Release 4.	4.0.0
GP10	GP-021481	GP-021481	4.0.0	001		Rel4	F	Clarification of output power measurement in 8-PSK	4.1.0
GP10	GP-021956	GP-021956	4.0.0	003		Rel4	F	Alignment of AMR inband requirement with TS 45.005 for GSM900 TCH/AFS	4.1.0
								Version for Release 5.	5.0.0
GP12	GP-023412	GP-023412	5.0.0	004	1	Rel5	F	Introduction of tests and requirements for AMR and WB-AMR on 8-PSK modulated channels	5.1.0
GP12	GP-023411	GP-023411	5.0.0	005	1	Rel5	F	Introduction of tests and requirements for WB-AMR on GMSK modulated channels	5.1.0
GP12	GP-023408	GP-023408	5.0.0	007	1	Rel5	A	Update of references to GERAN and ETSI specifications	5.1.0
GP12	GP-023410	GP-023410	5.0.0	009	1	Rel5	A	Introduction of GSM 700	5.1.0
GP12	GP-022961	GP-022961	5.0.0	011		Rel5	A	Correction of requirements for PDTCH/CS-4 C/Ic	5.1.0
GP12	GP-023212	GP-023212	5.0.0	013		Rel5	A	Removal of clause 9.4.4	5.1.0
GP13	GP-030415	GP-030415	5.1.0	015	1	Rel5	A	Correction to reference interference performance requirements	5.2.0
GP13	GP-030416	GP-030416	5.1.0	016	1	Rel6	A	Correction to reference interference performance requirements	6.0.0
GP13	GP-030377	GP-030377	5.2.0	017		Rel6	F	Clarification of interference performance test conditions for AMR	6.0.0
GP15	GP-031207	GP-031207	6.0.0	020		Rel6	A	Clarification of requirements for BSS IM attenuation for GSM 700, GSM 850 and PCS 1900	6.1.0
GP15	GP-031212	GP-031212	6.0.0	023		Rel6	A	Alignment of receiver requirements with TS 45.005	6.1.0
GP15	GP-031213	GP-031213	6.0.0	024		Rel6	F	Clarification of requirements for Intra-BTS IM for GSM 700, GSM 850 and PCS 1900	6.1.0
GP21	GP-042229	GP-042229	6.1.0	025	2	Rel6	F	Correction of preliminary test of blocking performance for BSS	6.2.0
GP26	GP-051894	GP-051894	6.2.0	0029		Rel7	B	Introduction of T-GSM 810	7.0.0
GP27	GP-052816	GP-052816	7.0.0	0030		Rel7	A	Performance requirements for E-TCH/F32.0	7.1.0
GP38	GP-080933	GP-080933	7.1.0	0034	2	Rel7	B	Introduction of EGPRS2 and LATRED	7.2.0
GP39	GP-081368	GP-081368	7.2.0	0036	1	Rel7	F	Corrections for EGPRS2 and LATRED	7.3.0
GP39	GP-081379	GP-081379	7.3.0	0035	3	Rel8	B	Introduction of multicarrier BTS classes with changed requirements	8.0.0
GP40	GP-081593	GP-081593	8.0.0	0038		Rel8	A	Clarification for Interference ratio for adjacent channel requirements	8.1.0
GP40	GP-081884	GP-081884	8.0.0	0039	2	Rel8	F	Clarification of MCBTS test cases	8.1.0
GP40	GP-081904	GP-081904	8.0.0	0040	2	Rel8	F	Wide band noise lower limit in MCBTS	8.1.0
GP40	GP-081631	GP-081631	8.0.0	0043		Rel8	D	Editorial correction related to test of intermodulation attenuation for multicarrier BTS class	8.1.0
GP41	GP-090206	GP-090206	8.1.0	0042	2	Rel8	A	Inclusion of GSM 700	8.2.0
GP41	GP-090434	GP-090434	8.1.0	0045	3	Rel8	F	Enhancement of readability of multicarrier spectral requirements and other clarifications	8.2.0
GP41	GP-090439	GP-090439	8.1.0	0046	1	Rel8	B	Introduction of multicarrier BTS class for GSM 700/850/1900	8.2.0
GP41	GP-090432	GP-090432	8.1.0	0048	1	Rel8	A	Introduction of receiver performance requirements for EGPRS2-A	8.2.0
GP41	GP-090475	GP-090475	8.1.0	0049	2	Rel8	F	Correction of absolute limit for IM products from multicarrier BTS enhancement of readability of	8.2.0

SMG / GP#	SMG/GP tdoc	SMG8/G3/G1 tdoc	VERS	CR	R	PH	CAT	SUBJECT	Resulting Version
								multicarrier spectral requirements and other clarifications	
GP41	GP-090538	GP-090538	8.1.0	0051	3	Rel8	F	Alignment of Power Level in Static Layer 1 receiver functions to the Relaxed Blocking Values of GSM 400, T-GSM 810 and E-GSM 900	8.2.0
GP42	GP-090714	GP-090714	8.2.0	0059		Rel8	A	Reference performance EGPRS2-A, UL, Co-channel and Adjacent channel interference	8.3.0
GP42	GP-090719	GP-090719	8.2.0	0061		Rel8	A	Wanted signal level for testing of blocking, intermodulation and AM suppression characteristics	8.3.0
GP42	GP-090981	GP-090981	8.2.0	0062	1	Rel8	F	Clarifications of requirements for Spectrum due to switching transients for MCBTS	8.3.0
GP42	GP-090996	GP-090996	8.2.0	0063	1	Rel8	F	Alignment of requirements for Nominal Error Rate (NER) and RACH performance with blocking requirements for MCBTS in lower frequency bands	8.3.0
GP42	GP-090979	GP-090979	8.2.0	0064	1	Rel8	F	Correction of absolute limit for IM products and related clarifications for multicarrier BTS	8.3.0
GP42	GP-090804	GP-090804	8.2.0	0069		Rel8	A	Correction to Wanted Signal Level for Testing of Intermodulation Characteristics	8.3.0
GP42	GP-091043	GP-091043	8.2.0	0071	1	Rel8	A	Reference performance EGPRS2, UL, Sensitivity	8.3.0
GP42	GP-090980	GP-090980	8.2.0	0072		Rel8	F	Testing spectrum requirements at split frequency allocation	8.3.0
GP42	GP-090986	GP-090986	8.2.0	0073		Rel8	F	Improvement of alignment between spurious emissions of MCBTS Classes 1 and 2	8.3.0
GP42	GP-091046	GP-091046	8.2.0	0074		Rel8	F	Clarifications of requirements for Spectrum due to modulation for MCBTS at frequency offset below 1.8 MHz	8.3.0
GP43	GP-091084	GP-091084	8.3.0	0053	1	Rel8	A	EVM for EGPRS2	8.4.0
GP43	GP-091255	GP-091255	8.3.0	0055	2	Rel8	A	Requirements for Spectrum due to Modulation and wideband noise for EGPRS2-B with narrow pulse-shaping filter	8.4.0
GP43	GP-091259	GP-091259	8.3.0	0057	1	Rel8	A	Reference performance EGPRS2-A, 400 kHz adjacent channel	8.4.0
GP43	GP-091083	GP-091083	8.3.0	0075		Rel8	F	Inclusion of deleted paragraph and correction of a misplaced sentence	8.4.0
GP43	GP-091518	GP-091518	8.3.0	0081	1	Rel8	A	Reference performance EGPRS2-B, UL, Sensitivity and Reduced Latency	8.4.0
GP43	GP-091520	GP-091520	8.3.0	0083	1	Rel8	A	Reference performance EGPRS2-B, UL, Co-channel	8.4.0
GP43	GP-091562	GP-091562	8.3.0	0085	2	Rel8	A	Reference performance EGPRS2-B, UL, Adj-channel	8.4.0
GP43	GP-091298	GP-091298	8.3.0	0087		Rel8	A	Removal of brackets, Modulation accuracy, EGPRS2, Base station	8.4.0
GP43	GP-091304	GP-091304	8.3.0	0089		Rel8	A	Removal of brackets: NER requirements for EGPRS2	8.4.0
GP43	GP-091568	GP-091568	8.3.0	0090	1	Rel8	F	Correction of exceptions in requirements for Spectrum due to modulation and wide band noise for MCBTS	8.4.0
GP43	GP-091569	GP-091569	8.3.0	0091	1	Rel8	F	Clarification of exceptions in requirements for Spectrum due to modulation and wide band noise for MCBTS in single carrier operation	8.4.0
GP43	GP-091324	GP-091324	8.3.0	0093		Rel8	F	Introduction of test cases for requirements for protection of services in the new frequency bands: 1880-1920 MHz and 2300-2400 MHz available for 3GPP access technologies	8.4.0
GP43	GP-091668	GP-091668	8.3.0	0100		Rel8	A	Removal of blocking, IM characteristics and AM suppression receiver requirements for QPSK, 16QAM and 32QAM modulations introduced EGPRS2	8.4.0
GP44	GP-092302	GP-092302	8.4.0	0079	7	Rel8	A	Removal of brackets, EGPRS2-A, UL	8.5.0
GP44	GP-092321	GP-092321	8.4.0	0095	4	Rel8	F	Correction of MCBTS capability for operating split frequency allocation	8.5.0
GP44	GP-092413	GP-092413	8.4.0	0098	7	Rel8	F	Introduction of test case for unwanted emissions in multicarrier operation with the carriers spread over the declared maximum Base Station RF bandwidth of the MCBTS	8.5.0
GP44	GP-092192	GP-092192	8.4.0	0103	4	Rel8	A	Removal of brackets, EGPRS2-B, UL	8.5.0
GP44	GP-091993	GP-091993	8.4.0	0105	2	Rel8	A	Reference performance EGPRS2-B, 400 kHz adjacent channel, without brackets	8.5.0
GP44	GP-092319	GP-092319	8.4.0	0106	3	Rel8	F	Correction of application of spurious emission requirements for MCBTS	8.5.0
GP44	GP-092147	GP-092147	8.4.0	0107		Rel8	F	Clarification of exceptions for MCBTS in single	8.5.0

SMG / GP#	SMG/GP tdoc	SMG8/G3/G1 tdoc	VERS	CR	R	PH	CAT	SUBJECT	Resulting Version
								carrier operation and applicable lower limit on GSM850 and PCS1900 bands in requirements for Spectrum due to modulation and wide band noise	
GP44	GP-092002	GP-092002	8.4.0	0108	1	Rel8	F	Correction of application of inband spurious emission requirements for MCBTS	8.5.0
GP44	GP-092150	GP-092150	8.4.0	0110	2	Rel8	F	Correction of MCBTS unwanted emission measurement conditions	8.5.0
GP44	GP-092018	GP-092018	8.4.0	0112		Rel8	A	Correction to EGPRS2-A UL, 400 kHz ACI	8.5.0
GP44			8.5.0			Rel9		Version for Release 9	9.0.0
GP45	GP-100575	GP-100575	9.0.0	0115	1	Rel9	F	Clarification to the blocking test interfering signal	9.1.0
GP45	GP-100379	GP-100379	9.0.0	0118	1	Rel9	A	Clarification of input signals when testing receiver performance for EGPRS2-B	9.1.0
GP45	GP-100216	GP-100216	9.0.0	0121		Rel9	A	Correction of test case for Static Reference Sensitivity Level	9.1.0
GP45	GP-100219	GP-100219	9.0.0	0124		Rel9	A	Correction of test case for Transmitted RF carrier power versus time	9.1.0
GP45	GP-100226	GP-100226	9.0.0	0127		Rel9	A	Correction of frequency distribution in the test case for Modulation accuracy	9.1.0
GP45	GP-100228	GP-100228	9.0.0	0129		Rel9	A	Editorial correction of test case for out-of-band spurious emissions and other tests for the MCBTS	9.1.0
GP45	GP-100230	GP-100230	9.0.0	0131		Rel9	A	Correction of test case for spurious emissions for the MCBTS in frequency bands, used by UTRA and E-UTRA	9.1.0
GP45	GP-100232	GP-100232	9.0.0	0133		Rel9	A	Correction of test case for Spectrum due to Modulation and wideband noise	9.1.0
GP45	GP-100250	GP-100250	9.0.0	0144		Rel9	A	Correction of references for DTX and Environmental conditions and requirements	9.1.0
GP45	GP-100565	GP-100565	9.0.0	0148	1	Rel9	A	Corrections and clarifications of the MCBTS requirements for unwanted emissions	9.1.0
GP46	GP-100984	GP-100984	9.1.0	0135	2	Rel9	A	Correction of exceptions of Spectrum due to modulation and wideband noise for MCBTS	9.2.0
GP46	GP-100913	GP-100913	9.1.0	0141	2	Rel9	A	Correction of test case for Spectrum due to Modulation and wideband noise when testing with the lowest supported numbers of carriers (≥ 2)	9.2.0
GP46	GP-101036	GP-101036	9.1.0	0142	4	Rel9	A	Alignment of blocking requirements in multi-RAT operation and in GSM single-RAT operation for MSR equipment	9.2.0
GP46	GP-100929	GP-100929	9.1.0	0151	1	Rel9	A	Alignment of requirements for out-of-band spurious emissions with CEPT/ERC/REC 74-01	9.2.0
GP46	GP-100999	GP-100999	9.1.0	0157		Rel9	A	Alignment of inband frequency range for GSM 850 with other 3GPP access technologies	9.2.0
GP46	GP-101039	GP-101039	9.1.0	0158	1	Rel9	F	Introduction of spurious emission requirements in frequency band 20	9.2.0
GP47	GP-101323	GP-101323	9.2.0	0160		Rel9	A	Clarification of applicable modulation in multicarrier tests	9.3.0
GP47	GP-101325	GP-101325	9.2.0	0162		Rel9	A	Aligning the upper measurement frequency for radiated spurious emissions with ERC/REC 74-01	9.3.0
GP47	GP-101327	GP-101327	9.2.0	0164		Rel9	A	Definition of the Lowest Static Power Level	9.3.0
GP47	GP-101329	GP-101329	9.2.0	0166		Rel9	A	Alignment of measurement bandwidths for receiver spurious emissions with TS 45.005	9.3.0
GP47	GP-101541	GP-101541	9.2.0	0168	1	Rel9	A	Clarification of multicarrier BTS receiver requirements	9.3.0
GP47	GP-101338	GP-101338	9.2.0	0169		Rel9	F	Renumbering tables and figures to improve maintainability	9.3.0
GP47	GP-101642	GP-101642	9.2.0	0171	2	Rel9	A	Corrections of the MCBTS IM requirements	9.3.0
GP47	GP-101614	GP-101614	9.2.0	0174		Rel9	F	Removal of inconsistencies related to frequency ranges for multicarrier BTS tests in single carrier and multicarrier operation	9.3.0
GP48	GP-101993	GP-101993	9.3.0	0137	3	Rel9	A	Reduction of the number of multicarrier BTS classes	9.4.0
GP48	GP-102045	GP-102045	9.3.0	0176	1	Rel9	A	MCBTS minimum carrier spacing	9.4.0
GP48	GP-101841	GP-101841	9.3.0	0178		Rel9	F	Minor error corrections in TS 51.021	9.4.0
GP48	GP-102049	GP-102049	9.3.0	0180	1	Rel9	A	Clarification of the measurement of the spectrum exceptions in MCBTS	9.4.0
GP48	GP-102043	GP-102043	9.3.0	0181	1	Rel9	F	Cleaning up and reformatting long tables in 51.021	9.4.0
GP49	GP-110485	GP-110485	9.4.0	0182	2	Rel9	B	Introduction of test cases and performance requirements for VAMOS	9.5.0
GP49						Rel-10		Version for Release 10	10.0.0
GP50	GP-110995	GP-110995	10.0.0	0187	1	Rel-10	A	Modified test of receiver performance for multicarrier BTS equipped with multicarrier receiver	10.1.0
GP50	GP-110949	GP-110949	10.0.0	0188	1	Rel-10	A	Modified test of AM suppression receiver	10.1.0

SMG / GP#	SMG/GP tdoc	SMG8/G3/G1 tdoc	VERS	CR	R	PH	CAT	SUBJECT	Resulting Version
								performance for multicarrier BTS equipped with multicarrier receiver	
GP50	GP-110997	GP-110997	10.0.0	0189	2	Rel-10	A	Modified test of blocking receiver performance for multicarrier BTS equipped with multicarrier receiver	10.1.0
GP50	GP-110680	GP-110680	10.0.0	0192		Rel-10	A	Clarification of operating band applicability for MCBTS	10.1.0
GP50	GP-110865	GP-110865	10.0.0	0195	1	Rel-10	A	Alignment with core specification of measurement method for RX spurious emission	10.1.0
GP50	GP-110876	GP-110876	10.0.0	0201	1	Rel-10	A	Power versus time mask for AQPSK	10.1.0
GP51	GP-111424	GP-111424	10.1.0	0203	4	Rel-10	A	Clarification of the notation used for the minimum spacing between carriers	10.2.0
GP51	GP-111354	GP-111354	10.1.0	0205	1	Rel-10	A	Correction of blocking frequency range and definition of preliminary test interfering signal level for multicarrier BTS equipped with multicarrier receiver	10.2.0
GP51	GP-111356	GP-111356	10.1.0	0207	1	Rel-10	A	Specification of the applicability of equivalent receiver paths	10.2.0
GP51	GP-111379	GP-111379	10.1.0	0209	1	Rel-10	A	Correction to conducted spurious emissions test case	10.2.0
GP51	GP-111194	GP-111194	10.1.0	0211		Rel-10	A	Introduction of EVM requirements for AQPSK	10.2.0
GP51	GP-111448	GP-111448	10.1.0	0213	1	Rel-10	A	Uplink receiver performance requirements for VAMOS	10.2.0
GP51	GP-111486	GP-111486	10.1.0	0216	3	Rel-10	A	Reduction of testing effort related to blocking receiver performance and AM suppression for multicarrier BTS equipped with multicarrier receiver	10.2.0
GP51	GP-111488	GP-111488	10.1.0	0218	3	Rel-10	A	Clarification of applicability of requirements for spurious response frequencies and of the blocking requirement for multicarrier receiver	10.2.0
GP51	GP-111417	GP-111417	10.1.0	0221		Rel-10	A	Clarification on VAMOS essential conformance	10.2.0
GP52	GP-111865	GP-111865	10.2.0	0214	4	Rel-10	F	Aligning MCBTS testing according to MSR-NC principles	10.3.0
GP52	GP-111622	GP-111622	10.2.0	0224		Rel-10	A	Correction to uplink receiver performance requirements for VAMOS and removal of brackets	10.3.0
GP52	GP-111631	GP-111631	10.2.0	0226		Rel-10	A	Clarification of test for output power	10.3.0
GP52	GP-111769	GP-111769	10.2.0	0228	1	Rel-10	A	Clarifying application of Maximum Base Station RF bandwidth for MCBTS equipped with different operational bandwidth in transmitter and receiver	10.3.0
GP52	GP-111635	GP-111635	10.2.0	0230		Rel-10	A	Removal of brackets for preliminary blocking level for multicarrier BTS equipped with multicarrier receiver	10.3.0
GP52	GP-111846	GP-111846	10.2.0	0233	1	Rel-10	A	Corrections related to conducted spurious emissions in other frequency bands	10.3.0
GP52	GP-111747	GP-111747	10.2.0	0235		Rel-10	A	Removal of brackets for VAMOS BTS requirements	10.3.0
GP53	GP-120279	GP-120279	10.3.0	0236	1	Rel-10	F	Correction related to MSR-NC BS declaration	10.4.0
GP54	GP-120755	GP-120755	10.4.0	0239	1	Rel-10	A	Clarifications in the MCBTS test for wideband noise and IM	10.5.0
GP54	GP-120758	GP-120758	10.4.0	0242	1	Rel-10	A	Spurious emission and Intermodulation attenuation - protection of operating RX band	10.5.0
GP54	GP-120586	GP-120586	10.4.0	0245		Rel-10	A	Intra BSS Intermodulation attenuation - protection of operating RX band	10.5.0
GP54	GP-120690	GP-120690	10.4.0	0248		Rel-10	A	Miscellaneous corrections	10.5.0
GP55	GP-121123	GP-121123	10.5.0	0252	1	Rel-10	A	Miscellaneous corrections for multicarrier BTS testing requirements	10.6.0
GP55	GP-121002	GP-121002	10.5.0	0255		Rel-10	A	Spurious emission - protection of operating Rx band	10.6.0

History

Document history		
V10.0.0	April 2011	Publication
V10.1.0	June 2011	Publication
V10.2.0	October 2011	Publication
V10.3.0	January 2012	Publication
V10.4.0	March 2012	Publication
V10.5.0	July 2012	Publication
V10.6.0	October 2012	Publication