

**a-Si TFT LCD Single Chip Driver
176RGBx220 Resolution and 262K color**

Datasheet
Preliminary

Version: V0.22
Document No.: ILI9225DS_V0.22.pdf

ILI TECHNOLOGY CORP.

4F, No. 2, Tech. 5th Rd., Hsinchu Science Park,
Taiwan 300, R.O.C.
Tel.886-3-5670095; Fax.886-3-5670096
<http://www.ilitek.com>

Table of Contents

Section	Page
1. Introduction.....	6
2. Features	6
3. Block Diagram.....	8
4. Pin Descriptions	9
5. Pad Arrangement and Coordination.....	14
6. Block Description	20
7. System Interface	23
7.1. Interface Specifications	23
7.2. Input Interfaces	24
7.2.1. i80/18-bit System Interface.....	25
7.2.2. i80/16-bit System Interface.....	26
7.2.3. i80/9-bit System Interface.....	27
7.2.4. i80/8-bit System Interface.....	27
7.3. Serial Peripheral Interface (SPI)	29
7.4. RGB Input Interface	34
7.4.1. RGB Interface	35
7.4.2. RGB Interface Timing	36
7.4.3. Moving Picture Mode.....	38
7.4.4. 6-bit RGB Interface.....	39
7.4.5. 16-bit RGB Interface.....	40
7.4.6. 18-bit RGB Interface.....	40
7.5. Interface Timing.....	43
8. Register Descriptions	44
8.1. Registers Access.....	44
8.2. Instruction Descriptions.....	48
8.2.1. Index (IR).....	51
8.2.2. Status Read (RS).....	51
8.2.3. Start Oscillation (R00h).....	51
8.2.4. Driver Output Control (R01h)	51
8.2.5. LCD Driving Waveform Control (R02h)	54
8.2.6. Entry Mode (R03h).....	56
8.2.7. Display Control 1 (R07h)	58
8.2.8. Display Control 2 (R08h)	59
8.2.9. Frame Cycle Control (R0Bh).....	60
8.2.10. RGB Input Interface Control 1 (R0Ch)	61
8.2.11. Oscillator Control (R0Fh).....	62
8.2.12. Power Control 1 (R10h).....	63
8.2.13. Power Control 2 (R11h).....	64

8.2.14. Power Control 3 (R12h).....	65
8.2.15. Power Control 4 (R13h).....	67
8.2.16. Power Control 5 (R14h).....	67
8.2.17. VCI Recycling (R15h).....	68
8.2.18. RAM Address Set (R20h, R21h)	69
8.2.19. Write Data to GRAM (R22h).....	69
8.2.20. Read Data from GRAM (R22h)	70
8.2.21. Software Reset (R28h).....	70
8.2.22. Gate Scan Control (R30h).....	70
8.2.23. Vertical Scroll Control 1 (R31h, R32h)	71
8.2.24. Vertical Scroll Control 1 (R33h).....	72
8.2.25. Partial Screen Driving Position (R34h, R35h).....	72
8.2.26. Horizontal and Vertical RAM Address Position (R36h/R37h, R38h/R39h)	74
8.2.27. Gamma Control (R50h ~ R59h)	75
8.2.28. NV Memory Data Programming (R60h)	75
8.2.29. NV Memory Control (R61h).....	76
8.2.30. NV Memory Status (R62h).....	76
8.2.31. NV memory Protection Key (R63h).....	76
8.2.32. ID Code (R65h)	76
9. NV Memory Programming Flow.....	77
10. GRAM Address Map & Read/Write.....	78
11. Window Address Function.....	82
12. Gamma Correction.....	83
13. Application.....	100
13.1. Configuration of Power Supply Circuit	100
13.2. Display ON/OFF Sequence	102
13.3. Standby and Sleep Mode.....	103
13.4. Power Supply Configuration	104
13.5. Voltage Generation	105
14. Electrical Characteristics.....	106
14.1. Absolute Maximum Ratings	106
14.2. DC Characteristics	107
14.3. Clock Characteristics	107
14.4. Reset Timing Characteristics	107
14.5. LCD Driver Output Characteristics.....	108
14.6. AC Characteristics	108
14.6.1. i80-System Interface Timing Characteristics.....	108
14.6.2. M68-System Interface Timing Characteristics.....	110
14.6.3. Serial Data Transfer Interface Timing Characteristics.....	111
14.6.4. RGB Interface Timing Characteristics	112

15. Revision History 113

Figures

FIGURE1 SYSTEM INTERFACE AND RGB INTERFACE CONNECTION 24

FIGURE2 18-BIT SYSTEM INTERFACE DATA FORMAT 25

FIGURE3 16-BIT SYSTEM INTERFACE DATA FORMAT 26

FIGURE4 9-BIT SYSTEM INTERFACE DATA FORMAT 27

FIGURE5 8-BIT SYSTEM INTERFACE DATA FORMAT 28

FIGURE6 DATA TRANSFER SYNCHRONIZATION IN 8/9-BIT SYSTEM INTERFACE..... 29

FIGURE7 DATA FORMAT OF SPI INTERFACE..... 31

FIGURE8 DATA TRANSMISSION THROUGH SERIAL PERIPHERAL INTERFACE (SPI) 32

FIGURE9 DATA TRANSMISSION THROUGH SERIAL PERIPHERAL INTERFACE (SPI), TRI="1" AND DFM="10")..... 33

FIGURE100 RGB INTERFACE DATA FORMAT 34

1. Introduction

ILI9225 is a 262,144-color one-chip SoC driver for a-TFT liquid crystal display with resolution of 176RGBx220 dots, comprising a 528-channel source driver, a 220-channel gate driver, 87120 bytes RAM for graphic data of 176RGBx220 dots, and power supply circuit.

ILI9225 has four kinds of system interfaces which are i80/M68-system MPU interface (8-/9-/16-/18-bit bus width), serial data transfer interface (SPI) and RGB 6-/16-/18-bit interface (DOTCLK, VSYNC, HSYNC, ENABLE, DB[17:0]).

In RGB interface, the combined use of high-speed RAM write function and window address function enables to display a moving picture at a position specified by a user and still pictures in other areas on the screen simultaneously, which makes it possible to transfer display the refresh data only to minimize data transfers and power consumption.

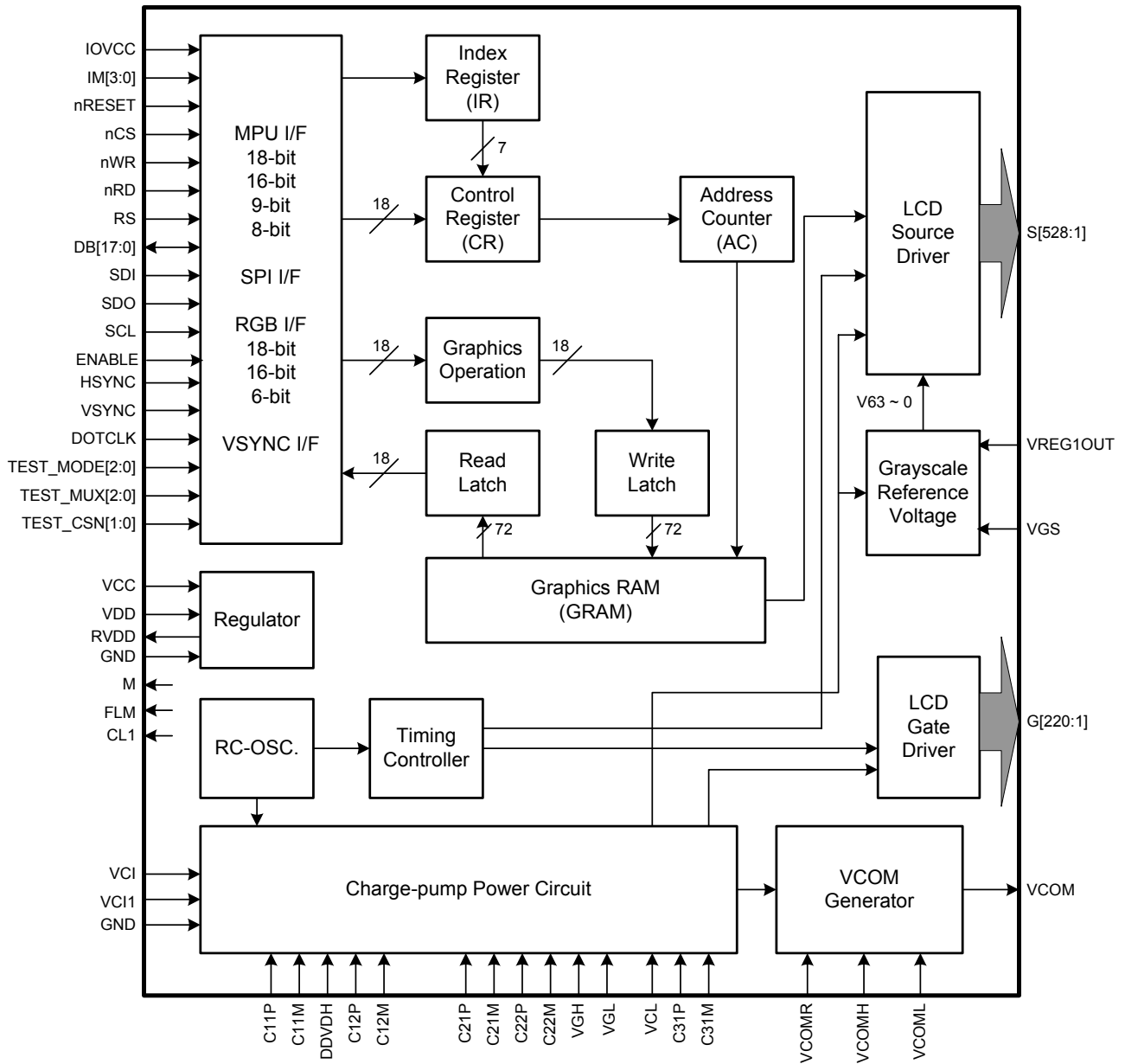
ILI9225 can operate with low I/O interface power supply up to 1.65V, with an incorporated voltage follower circuit to generate voltage levels for driving an LCD. The ILI9225 also supports a function to display in 8 colors and a standby mode, allowing for precise power control by software. These features make the ILI9225 an ideal LCD driver for medium or small size portable products such as digital cellular phones or small PDA, where long battery life is a major concern.

2. Features

- ◆ Single chip solution for a liquid crystal QCIF+ TFT LCD display
- ◆ 176RGBx220-dot resolution capable of graphics display in 262,144 color
- ◆ Incorporate 528-channel source driver and 220-channel gate driver
- ◆ Internal 87,120 bytes graphic RAM
- ◆ High-speed RAM burst write function
- ◆ System interfaces
 - i80 system interface with 8-/ 9-/16-/18-bit bus width
 - M68 system interface with 8-/ 9-/16-/18-bit bus width
 - Serial Peripheral Interface (SPI)
 - RGB interface with 8-/16-/18-bit bus width (VSYNC, HSYNC, DOTCLK, ENABLE, DB[17:0])
- ◆ n-line liquid crystal AC drive: invert polarity at an interval of arbitrarily n lines (n: 1 ~ 64)
- ◆ Internal oscillator and hardware reset
- ◆ Reversible source/gate driver shift direction
- ◆ Window address function to specify a rectangular area for internal GRAM access
- ◆ Bit operation function for facilitating graphics data processing
 - Bit-unit write data mask function
 - Pixel-unit logical/conditional write function
- ◆ Abundant functions for color display control
 - γ -correction function enabling display in 262,144 colors
 - Line-unit vertical scrolling function
- ◆ Partial drive function, enabling partially driving an LCD panel at positions specified by user

- ◆ Incorporate step-up circuits for stepping up a liquid crystal drive voltage level up to 6 times (x6)
- ◆ Power saving functions
 - 8-color mode
 - standby mode
 - sleep mode
- ◆ Low -power consumption architecture
 - Low operating power supplies:
 - IOVcc (VDD3) = 1.65 ~ 3.3 V (interface I/O)
 - Vci = 2.5 ~ 3.3 V
 - Low voltage drive: DDVDH (AVDD) = 4.5 ~ 5.5 V

3. Block Diagram



4. Pin Descriptions

Pin Name	I/O	Type	Descriptions																																																																								
Input Interface																																																																											
IM3, IM2, IM1, IM0/ID	I	IOVcc	<p>Select the MPU system interface mode</p> <table border="1"> <thead> <tr> <th>IM3</th> <th>IM2</th> <th>IM1</th> <th>IM0</th> <th>MPU-Interface Mode</th> <th>DB Pin in use</th> </tr> </thead> <tbody> <tr> <td>0</td> <td>0</td> <td>0</td> <td>0</td> <td>M68-system 16-bit interface</td> <td>DB[17:10], DB[8:1]</td> </tr> <tr> <td>0</td> <td>0</td> <td>0</td> <td>1</td> <td>M68-system 8-bit interface</td> <td>DB[17:10]</td> </tr> <tr> <td>0</td> <td>0</td> <td>1</td> <td>0</td> <td>i80-system 16-bit interface</td> <td>DB[17:10], DB[8:1]</td> </tr> <tr> <td>0</td> <td>0</td> <td>1</td> <td>1</td> <td>i80-system 8-bit interface</td> <td>DB[17:10]</td> </tr> <tr> <td>0</td> <td>1</td> <td>0</td> <td>ID</td> <td>Serial Peripheral Interface (SPI)</td> <td>SDI, SDO</td> </tr> <tr> <td>0</td> <td>1</td> <td>1</td> <td>*</td> <td>Setting invalid</td> <td></td> </tr> <tr> <td>1</td> <td>0</td> <td>0</td> <td>0</td> <td>M68-system 18-bit interface</td> <td>DB[17:0]</td> </tr> <tr> <td>1</td> <td>0</td> <td>0</td> <td>1</td> <td>M68-system 9-bit interface</td> <td>DB[17:9]</td> </tr> <tr> <td>1</td> <td>0</td> <td>1</td> <td>0</td> <td>i80-system 18-bit interface</td> <td>DB[17:0]</td> </tr> <tr> <td>1</td> <td>0</td> <td>1</td> <td>1</td> <td>i80-system 9-bit interface</td> <td>DB[17:9]</td> </tr> <tr> <td>1</td> <td>1</td> <td>*</td> <td>*</td> <td>Setting invalid</td> <td></td> </tr> </tbody> </table> <p>When the serial peripheral interface is selected, IM0 pin is used for the device code ID setting.</p>	IM3	IM2	IM1	IM0	MPU-Interface Mode	DB Pin in use	0	0	0	0	M68-system 16-bit interface	DB[17:10], DB[8:1]	0	0	0	1	M68-system 8-bit interface	DB[17:10]	0	0	1	0	i80-system 16-bit interface	DB[17:10], DB[8:1]	0	0	1	1	i80-system 8-bit interface	DB[17:10]	0	1	0	ID	Serial Peripheral Interface (SPI)	SDI, SDO	0	1	1	*	Setting invalid		1	0	0	0	M68-system 18-bit interface	DB[17:0]	1	0	0	1	M68-system 9-bit interface	DB[17:9]	1	0	1	0	i80-system 18-bit interface	DB[17:0]	1	0	1	1	i80-system 9-bit interface	DB[17:9]	1	1	*	*	Setting invalid	
IM3	IM2	IM1	IM0	MPU-Interface Mode	DB Pin in use																																																																						
0	0	0	0	M68-system 16-bit interface	DB[17:10], DB[8:1]																																																																						
0	0	0	1	M68-system 8-bit interface	DB[17:10]																																																																						
0	0	1	0	i80-system 16-bit interface	DB[17:10], DB[8:1]																																																																						
0	0	1	1	i80-system 8-bit interface	DB[17:10]																																																																						
0	1	0	ID	Serial Peripheral Interface (SPI)	SDI, SDO																																																																						
0	1	1	*	Setting invalid																																																																							
1	0	0	0	M68-system 18-bit interface	DB[17:0]																																																																						
1	0	0	1	M68-system 9-bit interface	DB[17:9]																																																																						
1	0	1	0	i80-system 18-bit interface	DB[17:0]																																																																						
1	0	1	1	i80-system 9-bit interface	DB[17:9]																																																																						
1	1	*	*	Setting invalid																																																																							
nCS	I	MPU IOVcc	<p>A chip select signal.</p> <p>Low: the ILI9225 is selected and accessible</p> <p>High: the ILI9225 is not selected and not accessible</p> <p>Fix to IOVCC level when not in use.</p>																																																																								
RS	I	MPU IOVcc	<p>A register select signal.</p> <p>Low: select an index or status register</p> <p>High: select a control register</p> <p>Fix to GND level when not in use.</p>																																																																								
RW_nWR /SCL	I	MPU IOVcc	<p>In 68-system mode, this is used to select operation, read or write. (RW)</p> <p>In 80-system mode, this serves as a write strobe signal (nWR).</p> <p>In SPI mode, it serves as a synchronous clock (SCL).</p>																																																																								
E_nRD	I	MPU IOVcc	<p>In 68-system mode, this serves as write/read enable strobe (E).</p> <p>In 80-system mode, this serves as a read strobe signal. (nRD).</p> <p>Must be fixed to GND level when SPI mode.</p>																																																																								
nRESET	I	MPU IOVcc	<p>A reset pin.</p> <p>Initializes the ILI9225 with a low input. Be sure to execute a power-on reset after supplying power.</p>																																																																								
DB[17:0]	I/O	MPU IOVcc	<p>18-bit parallel bi-directional data bus for MPU system interface mode</p> <p>Serves as an input data bus for MPU I/F.</p> <p>8-bit I/F: DB[17:10] is used.</p> <p>9-bit I/F: DB[17:9] is used.</p> <p>16-bit I/F: DB[17:10] and DB[8:1] is used.</p> <p>18-bit I/F: DB[17:0] is used.</p>																																																																								

Pin Name	I/O	Type	Descriptions
			<p>Serves as an input data bus for RGB I/F.</p> <p>6-bit interface: DB[17:12]</p> <p>16-bit interface: {DB[17:13], DB[11:1]}</p> <p>18-bit interface: DB[17:0]</p> <p>Unused pins must be fixed GND level.</p>
SDI	I	MPU IOVcc	<p>Serial data input (SDI) pin in serial interface operation. The data is latched on the rising edge of the SCL signal.</p> <p>Fix to GND level when not in use.</p>
SDO	O	MPU IOVcc	<p>Serial data output (SDO) pin in serial interface operation. The data is outputted on the falling edge of the SCL signal.</p> <p>When the SPI interface is not used, please let SDO as floating.</p>
DOTCLK	I	MPU IOVcc	<p>A dot clock signal.</p> <p>DPL = "0": Input data on the rising edge of DOTCLK</p> <p>DPL = "1": Input data on the falling edge of DOTCLK</p> <p>Fix to GND level when not in use.</p>
VSYNC	I	MPU IOVcc	<p>A frame synchronizing signal.</p> <p>VSPL = "0": Active low.</p> <p>VSPL = "1": Active high.</p> <p>Fix to GND level when not in use.</p>
HSYNC	I	MPU IOVcc	<p>A line synchronizing signal.</p> <p>HSPL = "0": Active low.</p> <p>HSPL = "1": Active high.</p> <p>Fix to GND level when not in use.</p>
ENABLE	I	MPU IOVcc	<p>A data ENEABLE signal in RGB interface mode.</p> <p>Low: Select (access enabled)</p> <p>High: Not select (access inhibited)</p> <p>The EPL bit inverts the polarity of the ENABLE signal.</p> <p>Fix to GND level when not in use.</p>
LCD Driving signals			
S528~S1	O	LCD	<p>Source output voltage signals applied to liquid crystal.</p> <p>To change the shift direction of signal outputs, use the SS bit.</p> <p>SS = "0", the data in the RAM address "h00000" is output from S1.</p> <p>SS = "1", the data in the RAM address "h00000" is output from S528.</p> <p>S1, S4, S7, ... display red (R), S2, S5, S8, ... display green (G), and S3, S6, S9, ... display blue (B) (SS = 0).</p>

Pin Name	I/O	Type	Descriptions
G220~G1	O	LCD	Gate line output signals. VGH: the level selecting gate lines VGL: the level not selecting gate lines
VCOM	O	TFT common electrode	A supply voltage to the common electrode of TFT panel. VCOM is AC voltage alternating signal between the VCOMH and VCOML levels.
Charge-pump and Regulator Circuit			
VCOMH	O	Stabilizing capacitor	The high level of VCOM AC voltage. Connect to a stabilizing capacitor.
VCOML	O	Stabilizing capacitor	The low level of VCOM AC voltage. Adjust the VCOML level with the VDV bits. Connect to a stabilizing capacitor. To fix the VCOML level to GND and set VCOMG = "0". In this case, capacitor connection is not necessary.
VCOMR	I	Variable resistor or open	A reference level to generate the VCOMH level either with an externally connected variable resistor or by setting the register of the ILI9225. When using a variable resistor, halt the internal VCOMH adjusting circuit by setting the register and place the resistor between VREG1OUT and GND. When generating the VCOMH level by setting the register, leave this pin open.
C11P, C11M C12P, C12M	-	Step-up capacitor	Connect the charge-pumping capacitor for generating AVDD level.
C21P, C21M C22P, C22M	-	Step-up capacitor	Connect the charge-pumping capacitor for generating VGH, VGL level.
C31P, C31M	-	Step-up capacitor	Connect the charge-pumping capacitor for generating VCL level.
DDVDH	O	Stabilizing capacitor, DDVDH	An output voltage from the step-up circuit 1, twice the Vci1 level. Place a stabilizing capacitor between GND. Place a shottkey diode between Vci and DDVDH. See "Configurations of Power supply circuit". DDVDH = 4.5 ~ 5.5V
VGH	O	Stabilizing capacitor, VGH	An output voltage from the step-up circuit 2, 4 ~ 6 times the Vci1 level. The step-up rate is set with the BT bits. Place a stabilizing capacitor between GND. Place a shottkey diode between Vci. See "Configurations of Power supply circuit". VGH = max 16.5V
VGL	O	Stabilizing capacitor, VGL	An output voltage from the step-up circuit 2, -3 ~ -5 times the Vci1 level. The step-up rate is set with the BT bits. Place a stabilizing capacitor between GND. Place a shottkey diode between Vci. See "Configurations of Power supply circuit". VGL = min -16.5V
VCL	O	Stabilizing	An output voltage from the step-up circuit 2, -1 times the Vci1 level.

Pin Name	I/O	Type	Descriptions
		capacitor, VCL	Connect to a stabilizing capacitor. $V_{CLC} = 0 \sim -3.3V$
VREG1OUT (GVDD)	I/O	Stabilizing capacitor or power supply	A voltage level of DDVDH-GND, generated from the reference level of Vci-GND according to the rate set with the VRH[3:0] bits. VREG1OUT is (1) a source driver grayscale reference voltage VDH, (2) a VCOMH level reference voltage, and (3) a VCOM amplitude reference voltage. Connect to a stabilizing capacitor. $V_{REG1OUT} = 3.0 \sim (DDVDH - 0.5)V$
VGS	I	GND or external resistor	A reference level for the grayscale voltage generating circuit. The VGS level can be changed by connecting to an external resistor.
VREF	I/O	Stabilizing capacitor	Reference voltage for generating GVDD voltage.
AVDD (DDVDH)	P		Generated power output pin for source driver block. Output voltage of 1 st booster circuit ($= 2 \times V_{CI1}$) Input voltage to 2 nd booster circuit. This pin needs to connect a capacitor for storage function.
Power Pads			
Vci	I	Power supply	A supply voltage to the analog circuit. Connect to an external power supply of 2.5 ~ 3.3V.
Vci1	O	Stabilizing capacitor Vci1	An internal reference voltage for the step-up circuit1. The amplitude between Vci and GND is determined by the VC[2:0] bits. Vci1 must be set so that the output voltages DDVDH, VGH, VGL are generated within the respective setting ranges.
IOVCC (VDD3)	I	Power supply	A supply voltage to the interface pins ($IOV_{CC} = 1.65 \sim 3.3V$).
AVSS (GND)	P	-	GND for analog circuits
VSSC (GND)	P	-	GND for booster circuits.
VSS (GND)	P	-	GND for logic circuits.
RVDD	P	Stabilizing Capacitor	Voltage regulator output for VDD. Connect to VDD pad for supplying power. Connect a capacitor for stabilization.
VDD	P	RVDD	Power supply for memory and internal logic circuit. Connect this pin to regulated voltage output RVDD. Do not apply any external power to this pin over 1.8V.
Test Pads			
CL1	O	-	Output pins used only for test purpose at vendor-side. In normal operation, leave this pin open.

Pin Name	I/O	Type	Descriptions
FLM	O	-	Tearing effect output pin to synchronize MCU to frame writing, activated by S/W command. When this pin is not activated, this pin is low. If not used, open this pin.
M	O	-	Output pins used only for test purpose at vendor-side. In normal operation, leave this pin open.
TEST_MODE[2:0]	I	-	Input pins used only for test purpose In normal operation, connect this pin to VSS or IOVCC.
TEST_MUX[2]	I	-	Input pins used only for test purpose This pin is internal pull low. In normal operation, please connect this pin to GND or leave this pin as open.
TEST_MUX[1:0]	I	-	Input pins used only for test purpose In normal operation, connect this pin to VSS or IOVCC.
TEST_DA	I	-	Input pins used only for test purpose In normal operation, connect this pin to VSS or IOVCC.
Contact	-	-	Contact resistance measurement pin.
EXCLK	I	-	Test pin In normal operation, connect this pin to VSS or IOVCC.
EN_EXCLK	I	-	Test pin In normal operation, connect this pin to VSS or IOVCC.

Liquid crystal power supply specifications Table 1

No.	Item	Description	
1	TFT data lines	528 pins (176 x RGB)	
2	TFT gate lines	220 pins	
3	TFT display's capacitor structure	Cst structure only (Common VCOM)	
4	Liquid crystal drive output	S1 ~ S528	V0 ~ V63 grayscales
		G1 ~ G220	VGH - VGL
		VCOM	VCOMH - VCOML: Amplitude = electronic volumes VCOMH=VCOMR: Adjusted with an external resistor
5	Input voltage	IOVcc	1.65V ~ 3.30V
		Vci	2.50V ~ 3.30V
6	Internal step-up circuits	DDVDH	Vci1 x 2
		VGH	Vci1 x 4, x 5, x 6
		VGL	Vci1 x -3, x -4, x -5
		VCL	Vci1 x -1

5. Pad Arrangement and Coordination

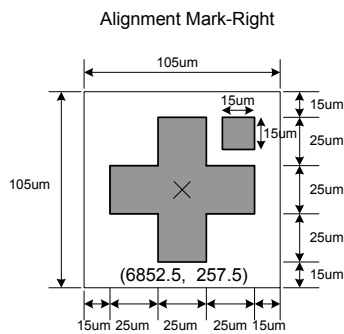
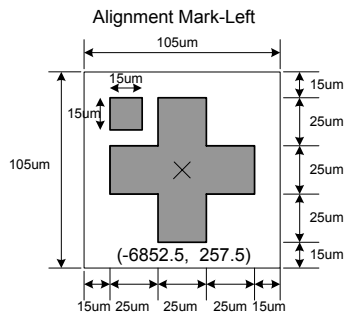
Chip Size: 13880um x 7000um

Chip thickness : 400 um (typ.)

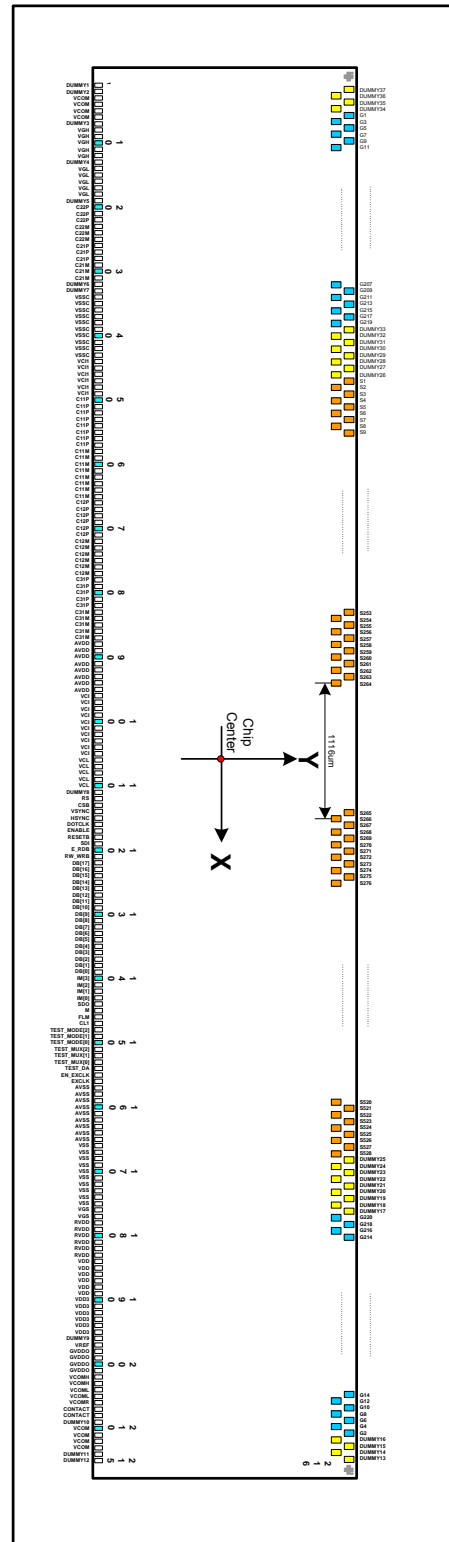
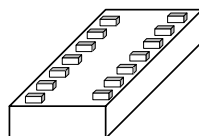
Pad Location: Pad Center.

Coordinate Origin: Chip Center

Au bump height: 15 +3 um



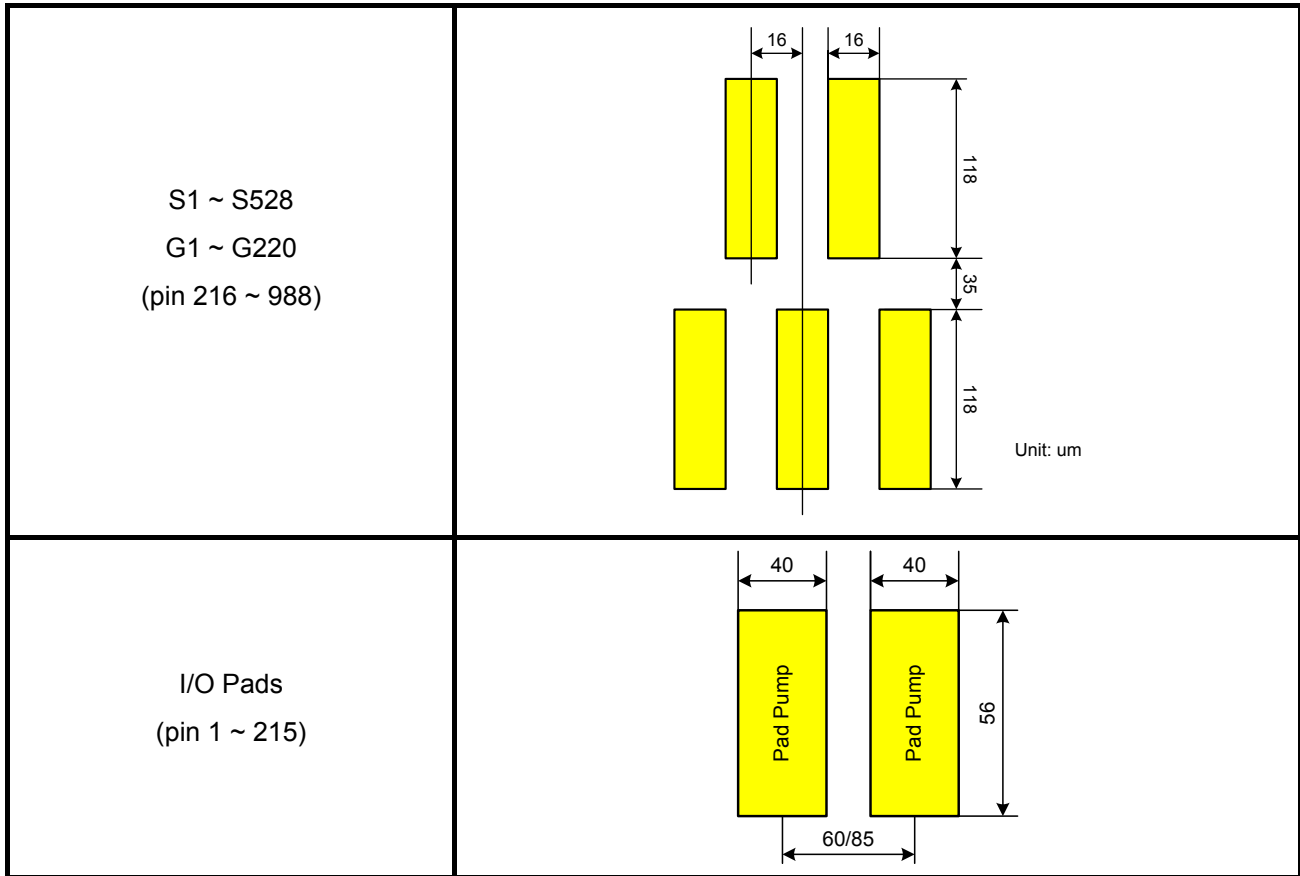
Face Up
(Bump View)



No.	Name	X	Y	No.	Name	X	Y	No.	Name	X	Y	No.	Name	X	Y	No.	Name	X	Y
1	DUMMY1	-6695	-267	51	C11P	-3695	-267	101	VCI	-695	-267	151	TEST_MUX<2>	2855	-267	201	GVDDO	5855	-267
2	DUMMY2	-6635	-267	52	C11P	-3635	-267	102	VCI	-635	-267	152	TEST_MUX<1>	2915	-267	202	VCOMH	5915	-267
3	VCOM	-6575	-267	53	C11P	-3575	-267	103	VCI	-575	-267	153	TEST_MUX<0>	2975	-267	203	VCOMH	5975	-267
4	VCOM	-6515	-267	54	C11P	-3515	-267	104	VCI	-515	-267	154	TEST_DA	3035	-267	204	VCOML	6035	-267
5	VCOM	-6455	-267	55	C11P	-3455	-267	105	VCI	-455	-267	155	EN_EXCLK	3095	-267	205	VCOML	6095	-267
6	VCOM	-6395	-267	56	C11P	-3395	-267	106	VCL	-395	-267	156	EXCLK	3155	-267	206	VCOMR	6155	-267
7	DUMMY3	-6335	-267	57	C11P	-3335	-267	107	VCL	-335	-267	157	AVSS	3215	-267	207	CONTACT	6215	-267
8	VGH	-6275	-267	58	C11M	-3275	-267	108	VCL	-275	-267	158	AVSS	3275	-267	208	CONTACT	6275	-267
9	VGH	-6215	-267	59	C11M	-3215	-267	109	VCL	-215	-267	159	AVSS	3335	-267	209	DUMMY10	6335	-267
10	VGH	-6155	-267	60	C11M	-3155	-267	110	VCL	-155	-267	160	AVSS	3395	-267	210	VCOM	6395	-267
11	VGH	-6095	-267	61	C11M	-3095	-267	111	DUMMY8	-95	-267	161	AVSS	3455	-267	211	VCOM	6455	-267
12	VGH	-6035	-267	62	C11M	-3035	-267	112	RS	-35	-267	162	AVSS	3515	-267	212	VCOM	6515	-267
13	DUMMY4	-5975	-267	63	C11M	-2975	-267	113	CSB	25	-267	163	AVSS	3575	-267	213	VCOM	6575	-267
14	VGL	-5915	-267	64	C11M	-2915	-267	114	VSYNC	85	-267	164	AVSS	3635	-267	214	DUMMY11	6635	-267
15	VGL	-5855	-267	65	C11M	-2855	-267	115	HSYNC	145	-267	165	AVSS	3695	-267	215	DUMMY12	6695	-267
16	VGL	-5795	-267	66	C12P	-2795	-267	116	DOTCLK	205	-267	166	VSS	3755	-267	216	DUMMY13	6772	236
17	VGL	-5735	-267	67	C12P	-2735	-267	117	ENABLE	265	-267	167	VSS	3815	-267	217	DUMMY14	6756	83
18	VGL	-5675	-267	68	C12P	-2675	-267	118	RESETB	325	-267	168	VSS	3875	-267	218	DUMMY15	6740	236
19	DUMMY5	-5615	-267	69	C12P	-2615	-267	119	SDI	385	-267	169	VSS	3935	-267	219	DUMMY16	6724	83
20	C22P	-5555	-267	70	C12P	-2555	-267	120	E_RDB	445	-267	170	VSS	3995	-267	220	G<2>	6708	236
21	C22P	-5495	-267	71	C12P	-2495	-267	121	RW_WRB	505	-267	171	VSS	4055	-267	221	G<4>	6692	83
22	C22P	-5435	-267	72	C12M	-2435	-267	122	DB<17>	565	-267	172	VSS	4115	-267	222	G<6>	6676	236
23	C22M	-5375	-267	73	C12M	-2375	-267	123	DB<16>	625	-267	173	VSS	4175	-267	223	G<8>	6660	83
24	C22M	-5315	-267	74	C12M	-2315	-267	124	DB<15>	685	-267	174	VSS	4235	-267	224	G<10>	6644	236
25	C22M	-5255	-267	75	C12M	-2255	-267	125	DB<14>	745	-267	175	VSS	4295	-267	225	G<12>	6628	83
26	C21P	-5195	-267	76	C12M	-2195	-267	126	DB<13>	805	-267	176	VGS	4355	-267	226	G<14>	6612	236
27	C21P	-5135	-267	77	C12M	-2135	-267	127	DB<12>	865	-267	177	VGS	4415	-267	227	G<16>	6596	83
28	C21P	-5075	-267	78	C31P	-2075	-267	128	DB<11>	925	-267	178	RVDD	4475	-267	228	G<18>	6580	236
29	C21M	-5015	-267	79	C31P	-2015	-267	129	DB<10>	985	-267	179	RVDD	4535	-267	229	G<20>	6564	83
30	C21M	-4955	-267	80	C31P	-1955	-267	130	DB<9>	1045	-267	180	RVDD	4595	-267	230	G<22>	6548	236
31	C21M	-4895	-267	81	C31P	-1895	-267	131	DB<8>	1105	-267	181	RVDD	4655	-267	231	G<24>	6532	83
32	DUMMY6	-4835	-267	82	C31P	-1835	-267	132	DB<7>	1165	-267	182	RVDD	4715	-267	232	G<26>	6516	236
33	DUMMY7	-4775	-267	83	C31M	-1775	-267	133	DB<6>	1225	-267	183	RVDD	4775	-267	233	G<28>	6500	83
34	VSSC	-4715	-267	84	C31M	-1715	-267	134	DB<5>	1285	-267	184	VDD	4835	-267	234	G<30>	6484	236
35	VSSC	-4655	-267	85	C31M	-1655	-267	135	DB<4>	1345	-267	185	VDD	4895	-267	235	G<32>	6468	83
36	VSSC	-4595	-267	86	C31M	-1595	-267	136	DB<3>	1405	-267	186	VDD	4955	-267	236	G<34>	6452	236
37	VSSC	-4535	-267	87	C31M	-1535	-267	137	DB<2>	1465	-267	187	VDD	5015	-267	237	G<36>	6436	83
38	VSSC	-4475	-267	88	AVDD	-1475	-267	138	DB<1>	1525	-267	188	VDD	5075	-267	238	G<38>	6420	236
39	VSSC	-4415	-267	89	AVDD	-1415	-267	139	DB<0>	1585	-267	189	VDD	5135	-267	239	G<40>	6404	83
40	VSSC	-4355	-267	90	AVDD	-1355	-267	140	IM<3>	1645	-267	190	VDD3	5195	-267	240	G<42>	6388	236
41	VSSC	-4295	-267	91	AVDD	-1295	-267	141	IM<2>	1705	-267	191	VDD3	5255	-267	241	G<44>	6372	83
42	VSSC	-4235	-267	92	AVDD	-1235	-267	142	IM<1>	1765	-267	192	VDD3	5315	-267	242	G<46>	6356	236
43	VSSC	-4175	-267	93	AVDD	-1175	-267	143	IM<0>	1825	-267	193	VDD3	5375	-267	243	G<48>	6340	83
44	VCI1	-4115	-267	94	AVDD	-1115	-267	144	SDO	1885	-267	194	VDD3	5435	-267	244	G<50>	6324	236
45	VCI1	-4055	-267	95	AVDD	-1055	-267	145	M	1945	-267	195	VDD3	5495	-267	245	G<52>	6308	83
46	VCI1	-3995	-267	96	VCI	-995	-267	146	FLM	2005	-267	196	DUMMY9	5555	-267	246	G<54>	6292	236
47	VCI1	-3935	-267	97	VCI	-935	-267	147	CL1	2065	-267	197	VREF	5615	-267	247	G<56>	6276	83
48	VCI1	-3875	-267	98	VCI	-875	-267	148	TEST_MODE<2>	2125	-267	198	GVDDO	5675	-267	248	G<58>	6260	236
49	VCI1	-3815	-267	99	VCI	-815	-267	149	TEST_MODE<1>	2185	-267	199	GVDDO	5735	-267	249	G<60>	6244	83
50	C11P	-3755	-267	100	VCI	-755	-267	150	TEST_MODE<0>	2245	-267	200	GVDDO	5795	-267	250	G<62>	6228	236

No.	Name	X	Y	No.	Name	X	Y	No.	Name	X	Y	No.	Name	X	Y	No.	Name	X	Y
251	G<64>	6212	83	301	G<164>	5412	83	351	S<516>	4612	83	401	S<466>	3812	83	451	S<416>	3012	83
252	G<66>	6196	236	302	G<166>	5396	236	352	S<515>	4596	236	402	S<465>	3796	236	452	S<415>	2996	236
253	G<68>	6180	83	303	G<168>	5380	83	353	S<514>	4580	83	403	S<464>	3780	83	453	S<414>	2980	83
254	G<70>	6164	236	304	G<170>	5364	236	354	S<513>	4564	236	404	S<463>	3764	236	454	S<413>	2964	236
255	G<72>	6148	83	305	G<172>	5348	83	355	S<512>	4548	83	405	S<462>	3748	83	455	S<412>	2948	83
256	G<74>	6132	236	306	G<174>	5332	236	356	S<511>	4532	236	406	S<461>	3732	236	456	S<411>	2932	236
257	G<76>	6116	83	307	G<176>	5316	83	357	S<510>	4516	83	407	S<460>	3716	83	457	S<410>	2916	83
258	G<78>	6100	236	308	G<178>	5300	236	358	S<509>	4500	236	408	S<459>	3700	236	458	S<409>	2900	236
259	G<80>	6084	83	309	G<180>	5284	83	359	S<508>	4484	83	409	S<458>	3684	83	459	S<408>	2884	83
260	G<82>	6068	236	310	G<182>	5268	236	360	S<507>	4468	236	410	S<457>	3668	236	460	S<407>	2868	236
261	G<84>	6052	83	311	G<184>	5252	83	361	S<506>	4452	83	411	S<456>	3652	83	461	S<406>	2852	83
262	G<86>	6036	236	312	G<186>	5236	236	362	S<505>	4436	236	412	S<455>	3636	236	462	S<405>	2836	236
263	G<88>	6020	83	313	G<188>	5220	83	363	S<504>	4420	83	413	S<454>	3620	83	463	S<404>	2820	83
264	G<90>	6004	236	314	G<190>	5204	236	364	S<503>	4404	236	414	S<453>	3604	236	464	S<403>	2804	236
265	G<92>	5988	83	315	G<192>	5188	83	365	S<502>	4388	83	415	S<452>	3588	83	465	S<402>	2788	83
266	G<94>	5972	236	316	G<194>	5172	236	366	S<501>	4372	236	416	S<451>	3572	236	466	S<401>	2772	236
267	G<96>	5956	83	317	G<196>	5156	83	367	S<500>	4356	83	417	S<450>	3556	83	467	S<400>	2756	83
268	G<98>	5940	236	318	G<198>	5140	236	368	S<499>	4340	236	418	S<449>	3540	236	468	S<399>	2740	236
269	G<100>	5924	83	319	G<200>	5124	83	369	S<498>	4324	83	419	S<448>	3524	83	469	S<398>	2724	83
270	G<102>	5908	236	320	G<202>	5108	236	370	S<497>	4308	236	420	S<447>	3508	236	470	S<397>	2708	236
271	G<104>	5892	83	321	G<204>	5092	83	371	S<496>	4292	83	421	S<446>	3492	83	471	S<396>	2692	83
272	G<106>	5876	236	322	G<206>	5076	236	372	S<495>	4276	236	422	S<445>	3476	236	472	S<395>	2676	236
273	G<108>	5860	83	323	G<208>	5060	83	373	S<494>	4260	83	423	S<444>	3460	83	473	S<394>	2660	83
274	G<110>	5844	236	324	G<210>	5044	236	374	S<493>	4244	236	424	S<443>	3444	236	474	S<393>	2644	236
275	G<112>	5828	83	325	G<212>	5028	83	375	S<492>	4228	83	425	S<442>	3428	83	475	S<392>	2628	83
276	G<114>	5812	236	326	G<214>	5012	236	376	S<491>	4212	236	426	S<441>	3412	236	476	S<391>	2612	236
277	G<116>	5796	83	327	G<216>	4996	83	377	S<490>	4196	83	427	S<440>	3396	83	477	S<390>	2596	83
278	G<118>	5780	236	328	G<218>	4980	236	378	S<489>	4180	236	428	S<439>	3380	236	478	S<389>	2580	236
279	G<120>	5764	83	329	G<220>	4964	83	379	S<488>	4164	83	429	S<438>	3364	83	479	S<388>	2564	83
280	G<122>	5748	236	330	DUMMY17	4948	236	380	S<487>	4148	236	430	S<437>	3348	236	480	S<387>	2498	236
281	G<124>	5732	83	331	DUMMY18	4932	83	381	S<486>	4132	83	431	S<436>	3332	83	481	S<386>	2482	83
282	G<126>	5716	236	332	DUMMY19	4916	236	382	S<485>	4116	236	432	S<435>	3316	236	482	S<385>	2466	236
283	G<128>	5700	83	333	DUMMY20	4900	83	383	S<484>	4100	83	433	S<434>	3300	83	483	S<384>	2450	83
284	G<130>	5684	236	334	DUMMY21	4884	236	384	S<483>	4084	236	434	S<433>	3284	236	484	S<383>	2434	236
285	G<132>	5668	83	335	DUMMY22	4868	83	385	S<482>	4068	83	435	S<432>	3268	83	485	S<382>	2418	83
286	G<134>	5652	236	336	DUMMY23	4852	236	386	S<481>	4052	236	436	S<431>	3252	236	486	S<381>	2402	236
287	G<136>	5636	83	337	DUMMY24	4836	83	387	S<480>	4036	83	437	S<430>	3236	83	487	S<380>	2386	83
288	G<138>	5620	236	338	DUMMY25	4820	236	388	S<479>	4020	236	438	S<429>	3220	236	488	S<379>	2370	236
289	G<140>	5604	83	339	S<528>	4804	83	389	S<478>	4004	83	439	S<428>	3204	83	489	S<378>	2354	83
290	G<142>	5588	236	340	S<527>	4788	236	390	S<477>	3988	236	440	S<427>	3188	236	490	S<377>	2338	236
291	G<144>	5572	83	341	S<526>	4772	83	391	S<476>	3972	83	441	S<426>	3172	83	491	S<376>	2322	83
292	G<146>	5556	236	342	S<525>	4756	236	392	S<475>	3956	236	442	S<425>	3156	236	492	S<375>	2306	236
293	G<148>	5540	83	343	S<524>	4740	83	393	S<474>	3940	83	443	S<424>	3140	83	493	S<374>	2290	83
294	G<150>	5524	236	344	S<523>	4724	236	394	S<473>	3924	236	444	S<423>	3124	236	494	S<373>	2274	236
295	G<152>	5508	83	345	S<522>	4708	83	395	S<472>	3908	83	445	S<422>	3108	83	495	S<372>	2258	83
296	G<154>	5492	236	346	S<521>	4692	236	396	S<471>	3892	236	446	S<421>	3092	236	496	S<371>	2242	236
297	G<156>	5476	83	347	S<520>	4676	83	397	S<470>	3876	83	447	S<420>	3076	83	497	S<370>	2226	83
298	G<158>	5460	236	348	S<519>	4660	236	398	S<469>	3860	236	448	S<419>	3060	236	498	S<369>	2210	236
299	G<160>	5444	83	349	S<518>	4644	83	399	S<468>	3844	83	449	S<418>	3044	83	499	S<368>	2194	83
300	G<162>	5428	236	350	S<517>	4628	236	400	S<467>	3828	236	450	S<417>	3028	236	500	S<367>	2178	236

No.	Name	X	Y	No.	Name	X	Y	No.	Name	X	Y	No.	Name	X	Y	No.	Name	X	Y
501	S<366>	2162	83	551	S<316>	1362	83	601	S<266>	562	83	651	S<216>	-1322	83	701	S<166>	-2122	83
502	S<365>	2146	236	552	S<315>	1346	236	602	S<265>	546	236	652	S<215>	-1338	236	702	S<165>	-2138	236
503	S<364>	2130	83	553	S<314>	1330	83	603	S<264>	-554	83	653	S<214>	-1354	83	703	S<164>	-2154	83
504	S<363>	2114	236	554	S<313>	1314	236	604	S<263>	-570	236	654	S<213>	-1370	236	704	S<163>	-2170	236
505	S<362>	2098	83	555	S<312>	1298	83	605	S<262>	-586	83	655	S<212>	-1386	83	705	S<162>	-2186	83
506	S<361>	2082	236	556	S<311>	1282	236	606	S<261>	-602	236	656	S<211>	-1402	236	706	S<161>	-2202	236
507	S<360>	2066	83	557	S<310>	1266	83	607	S<260>	-618	83	657	S<210>	-1418	83	707	S<160>	-2218	83
508	S<359>	2050	236	558	S<309>	1250	236	608	S<259>	-634	236	658	S<209>	-1434	236	708	S<159>	-2234	236
509	S<358>	2034	83	559	S<308>	1234	83	609	S<258>	-650	83	659	S<208>	-1450	83	709	S<158>	-2250	83
510	S<357>	2018	236	560	S<307>	1218	236	610	S<257>	-666	236	660	S<207>	-1466	236	710	S<157>	-2266	236
511	S<356>	2002	83	561	S<306>	1202	83	611	S<256>	-682	83	661	S<206>	-1482	83	711	S<156>	-2282	83
512	S<355>	1986	236	562	S<305>	1186	236	612	S<255>	-698	236	662	S<205>	-1498	236	712	S<155>	-2298	236
513	S<354>	1970	83	563	S<304>	1170	83	613	S<254>	-714	83	663	S<204>	-1514	83	713	S<154>	-2314	83
514	S<353>	1954	236	564	S<303>	1154	236	614	S<253>	-730	236	664	S<203>	-1530	236	714	S<153>	-2330	236
515	S<352>	1938	83	565	S<302>	1138	83	615	S<252>	-746	83	665	S<202>	-1546	83	715	S<152>	-2346	83
516	S<351>	1922	236	566	S<301>	1122	236	616	S<251>	-762	236	666	S<201>	-1562	236	716	S<151>	-2362	236
517	S<350>	1906	83	567	S<300>	1106	83	617	S<250>	-778	83	667	S<200>	-1578	83	717	S<150>	-2378	83
518	S<349>	1890	236	568	S<299>	1090	236	618	S<249>	-794	236	668	S<199>	-1594	236	718	S<149>	-2394	236
519	S<348>	1874	83	569	S<298>	1074	83	619	S<248>	-810	83	669	S<198>	-1610	83	719	S<148>	-2410	83
520	S<347>	1858	236	570	S<297>	1058	236	620	S<247>	-826	236	670	S<197>	-1626	236	720	S<147>	-2426	236
521	S<346>	1842	83	571	S<296>	1042	83	621	S<246>	-842	83	671	S<196>	-1642	83	721	S<146>	-2442	83
522	S<345>	1826	236	572	S<295>	1026	236	622	S<245>	-858	236	672	S<195>	-1658	236	722	S<145>	-2458	236
523	S<344>	1810	83	573	S<294>	1010	83	623	S<244>	-874	83	673	S<194>	-1674	83	723	S<144>	-2474	83
524	S<343>	1794	236	574	S<293>	994	236	624	S<243>	-890	236	674	S<193>	-1690	236	724	S<143>	-2490	236
525	S<342>	1778	83	575	S<292>	978	83	625	S<242>	-906	83	675	S<192>	-1706	83	725	S<142>	-2506	83
526	S<341>	1762	236	576	S<291>	962	236	626	S<241>	-922	236	676	S<191>	-1722	236	726	S<141>	-2522	236
527	S<340>	1746	83	577	S<290>	946	83	627	S<240>	-938	83	677	S<190>	-1738	83	727	S<140>	-2538	83
528	S<339>	1730	236	578	S<289>	930	236	628	S<239>	-954	236	678	S<189>	-1754	236	728	S<139>	-2554	236
529	S<338>	1714	83	579	S<288>	914	83	629	S<238>	-970	83	679	S<188>	-1770	83	729	S<138>	-2570	83
530	S<337>	1698	236	580	S<287>	898	236	630	S<237>	-986	236	680	S<187>	-1786	236	730	S<137>	-2586	236
531	S<336>	1682	83	581	S<286>	882	83	631	S<236>	-1002	83	681	S<186>	-1802	83	731	S<136>	-2602	83
532	S<335>	1666	236	582	S<285>	866	236	632	S<235>	-1018	236	682	S<185>	-1818	236	732	S<135>	-2618	236
533	S<334>	1650	83	583	S<284>	850	83	633	S<234>	-1034	83	683	S<184>	-1834	83	733	S<134>	-2634	83
534	S<333>	1634	236	584	S<283>	834	236	634	S<233>	-1050	236	684	S<183>	-1850	236	734	S<133>	-2650	236
535	S<332>	1618	83	585	S<282>	818	83	635	S<232>	-1066	83	685	S<182>	-1866	83	735	S<132>	-2716	83
536	S<331>	1602	236	586	S<281>	802	236	636	S<231>	-1082	236	686	S<181>	-1882	236	736	S<131>	-2732	236
537	S<330>	1586	83	587	S<280>	786	83	637	S<230>	-1098	83	687	S<180>	-1898	83	737	S<130>	-2748	83
538	S<329>	1570	236	588	S<279>	770	236	638	S<229>	-1114	236	688	S<179>	-1914	236	738	S<129>	-2764	236
539	S<328>	1554	83	589	S<278>	754	83	639	S<228>	-1130	83	689	S<178>	-1930	83	739	S<128>	-2780	83
540	S<327>	1538	236	590	S<277>	738	236	640	S<227>	-1146	236	690	S<177>	-1946	236	740	S<127>	-2796	236
541	S<326>	1522	83	591	S<276>	722	83	641	S<226>	-1162	83	691	S<176>	-1962	83	741	S<126>	-2812	83
542	S<325>	1506	236	592	S<275>	706	236	642	S<225>	-1178	236	692	S<175>	-1978	236	742	S<125>	-2828	236
543	S<324>	1490	83	593	S<274>	690	83	643	S<224>	-1194	83	693	S<174>	-1994	83	743	S<124>	-2844	83
544	S<323>	1474	236	594	S<273>	674	236	644	S<223>	-1210	236	694	S<173>	-2010	236	744	S<123>	-2860	236
545	S<322>	1458	83	595	S<272>	658	83	645	S<222>	-1226	83	695	S<172>	-2026	83	745	S<122>	-2876	83
546	S<321>	1442	236	596	S<271>	642	236	646	S<221>	-1242	236	696	S<171>	-2042	236	746	S<121>	-2892	236
547	S<320>	1426	83	597	S<270>	626	83	647	S<220>	-1258	83	697	S<170>	-2058	83	747	S<120>	-2908	83
548	S<319>	1410	236	598	S<269>	610	236	648	S<219>	-1274	236	698	S<169>	-2074	236	748	S<119>	-2924	236
549	S<318>	1394	83	599	S<268>	594	83	649	S<218>	-1290	83	699	S<168>	-2090	83	749	S<118>	-2940	83
550	S<317>	1378	236	600	S<267>	578	236	650	S<217>	-1306	236	700	S<167>	-2106	236	750	S<117>	-2956	236



6. Block Description

MPU System Interface

ILI9225 supports three system high-speed interfaces: i80/M68-system high-speed interfaces to 8-, 9-, 16-, 18-bit parallel ports and serial peripheral interface (SPI). The interface mode is selected by setting the IM[3:0] pins.

ILI9225 has a 16-bit index register (IR), an 18-bit write-data register (WDR), and an 18-bit read-data register (RDR). The IR is the register to store index information from control registers and the internal GRAM. The WDR is the register to temporarily store data to be written to control registers and the internal GRAM. The RDR is the register to temporarily store data read from the GRAM. Data from the MPU to be written to the internal GRAM are first written to the WDR and then automatically written to the internal GRAM in internal operation. Data are read via the RDR from the internal GRAM. Therefore, invalid data are read out to the data bus when the ILI9225 read the first data from the internal GRAM. Valid data are read out after the ILI9225 performs the second read operation.

Registers are written consecutively as the register execution time except starting oscillator takes 0 clock cycle.

Registers selection by system interface (8-/9-/16-/18-bit bus width)	I80			M68	
	RS	nWR	nRD	E	RW
Write an index to IR register	0	0	1	1	0
Read an internal status	0	1	0	1	1
Write to control registers or the internal GRAM by WDR register.	1	0	1	1	0
Read from the internal GRAM by RDR register.	1	1	0	1	1

Registers selection by the SPI system interface		
Function	R/W	RS
Write an index to IR register	0	0
Read an internal status	1	0
Write to control registers or the internal GRAM by WDR register.	0	1
Read from the internal GRAM by RDR register.	1	1

Parallel RGB Interface

ILI9225 supports the RGB interface as the external interface for displaying a moving picture. When the RGB interface is selected, display operations are synchronized with externally supplied signals, VSYNC, HSYNC, and DOTCLK. In RGB interface mode, data (DB17-0) are written in synchronization with these signals according to the polarity of enable signal (ENABLE) to prevent flicker on display while updating display data.

In VSYNC interface mode, the display operation is synchronized with the internal clock except frame synchronization, where the operation is synchronized with the VSYNC signal. Display data are written to the internal GRAM via the system interface. In this case, there are constraints in speed and method in writing data to the internal RAM. For details, see the “External Display Interface” section. The ILI9225 allows for switching between the external display interface and the system interface by instruction so that the optimum interface is

selected for the kind of picture to be displayed on the screen (still and/or moving picture(s)). The RGB interface, by writing all display data to the internal RAM, allows for transferring data only when updating the frames of a moving picture, contributing to low power requirement for moving picture display.

Bit Operation

The ILI9225 supports a write data mask function for selectively writing data to the internal RAM in units of bits and a logical/compare operation to write data to the GRAM only when a condition is met as a result of comparing the data and the compare register bits. For details, see “Graphics Operation Functions”.

Address Counter (AC)

The address counter (AC) gives an address to the internal GRAM. When the index of the register for setting a RAM address in the AC is written to the IR, the address information is sent from the IR to the AC. As writing data to the internal GRAM, the address in the AC is automatically updated plus or minus 1. The window address function enables writing data only in the rectangular area arbitrarily set by users on the GRAM.

Graphics RAM (GRAM)

GRAM is graphics RAM storing bit-pattern data of 87,120 (176 x 220x 18/8) bytes, using 18 bits for each pixel.

Grayscale Voltage Generating Circuit

The grayscale voltage generating circuit generates a liquid crystal drive voltage according to grayscale data set in the γ -correction register to display in 262,144 colors. For details, see the “ γ -Correction Register” section.

Timing Controller

The timing generator generates a timing signal for operation of internal circuits such as the internal GRAM. The timing for the display operation such as RAM read operation and the timing for the internal operation such as access from the MPU are generated in the way not to interfere each other.

Oscillator (OSC.)

ILI9225 generates RC oscillation with an external oscillation resistor placed between the OSC1 and OSC2 pins. The oscillation frequency is changed according to the value of an external resistor. Adjust the oscillation frequency in accordance to the operating voltage or the frame frequency. An operating clock can be input externally. During standby mode, RC oscillation is halted to reduce power consumption. For details, see “Oscillator”.

LCD Driver Circuit

The LCD driver circuit of ILI9225 consists of a 528-output source driver (S1 ~ S528) and a 220-output gate driver (G1~G220). Display pattern data are latched when the 528th bit data are input. The latched data control the source driver and generate a drive waveform. The gate driver for scanning gate lines outputs either VGH

or VGL level. The shift direction of 528-bit source outputs from the source driver is set with the SS bit and the shift direction of gate outputs from the gate driver is set with the GS bit. The scan mode by the gate driver is set with the SM bit. These bits allow setting an appropriate scan method for an LCD module.

LCD Driver Power Supply Circuit

The LCD drive power supply circuit generates the voltage levels VREG1OUT, VGH, VGL and Vcom for driving an LCD.

7. System Interface

7.1. Interface Specifications

ILI9225 has the system interface to read/write the control registers and display graphics memory (GRAM), and the RGB Input Interface for displaying a moving picture. User can select an optimum interface to display the moving or still picture with efficient data transfer. All display data are stored in the GRAM to reduce the data transfer efforts and only the updating data is necessary to be transferred. User can only update a sub-range of GRAM by using the window address function.

ILI9225 also has the RGB interface to transfer the display data without flicker the moving picture on the screen. In RGB interface mode, the display data is written into the GRAM through the control signals of ENABLE, VSYNC, HSYNC, DOTCLK and data bus DB[17:0].

ILI9225 operates in one of the following 4 modes. The display mode can be switched by the control register. When switching from one mode to another, refer to the sequences mentioned in the sections of RGB interfaces.

Operation Mode	RAM Access Setting (RM)	Display Operation Mode (DM[1:0])
Internal operating clock only (Displaying still pictures)	System interface (RM = 0)	Internal operating clock (DM[1:0] = 00)
RGB interface (1) (Displaying moving pictures)	RGB interface (RM = 1)	RGB interface (DM[1:0] = 01)
RGB interface (2) (Rewriting still pictures while displaying moving pictures)	System interface (RM = 0)	RGB interface (DM[1:0] = 01)

Note 1) Registers are set only via the system interface.

Note 2) The RGB-I/F is not available simultaneously.

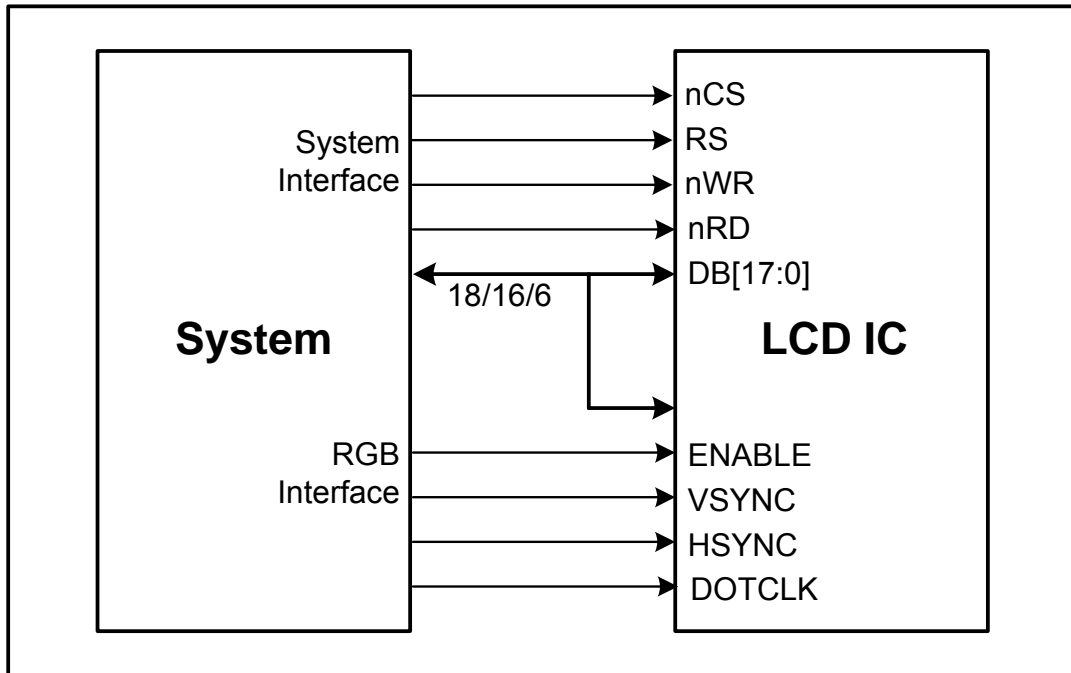


Figure1 System Interface and RGB Interface connection

7.2. Input Interfaces

The following are the system interfaces available with the ILI9225. The interface is selected by setting the IM[3:0] pins. The system interface is used for setting instructions and RAM access.

IM3	IM2	IM1	IM0/ID	Interface Mode	DB Pin
0	0	0	0	M68-system 16-bit interface	DB[17:10], DB[8:1]
0	0	0	1	M68-system 8-bit interface	DB[17:10]
0	0	1	0	i80-system 16-bit interface	DB[17:10], DB[8:1]
0	0	1	1	i80-system 8-bit interface	DB[17:10]
0	1	0	ID	Serial Peripheral Interface (SPI)	SDI, SDO (DB[1:0])
0	1	1	*	Setting invalid	
1	0	0	0	M68-system 18-bit interface	DB[17:0]
1	0	0	1	M68-system 9-bit interface	DB[17:9]
1	0	1	0	i80-system 18-bit interface	DB[17:0]
1	0	1	1	i80-system 9-bit interface	DB[17:9]
1	1	*	*	Setting invalid	

7.2.1. i80/18-bit System Interface

The i80/18-bit system interface is selected by setting the IM[3:0] as "1010" levels.

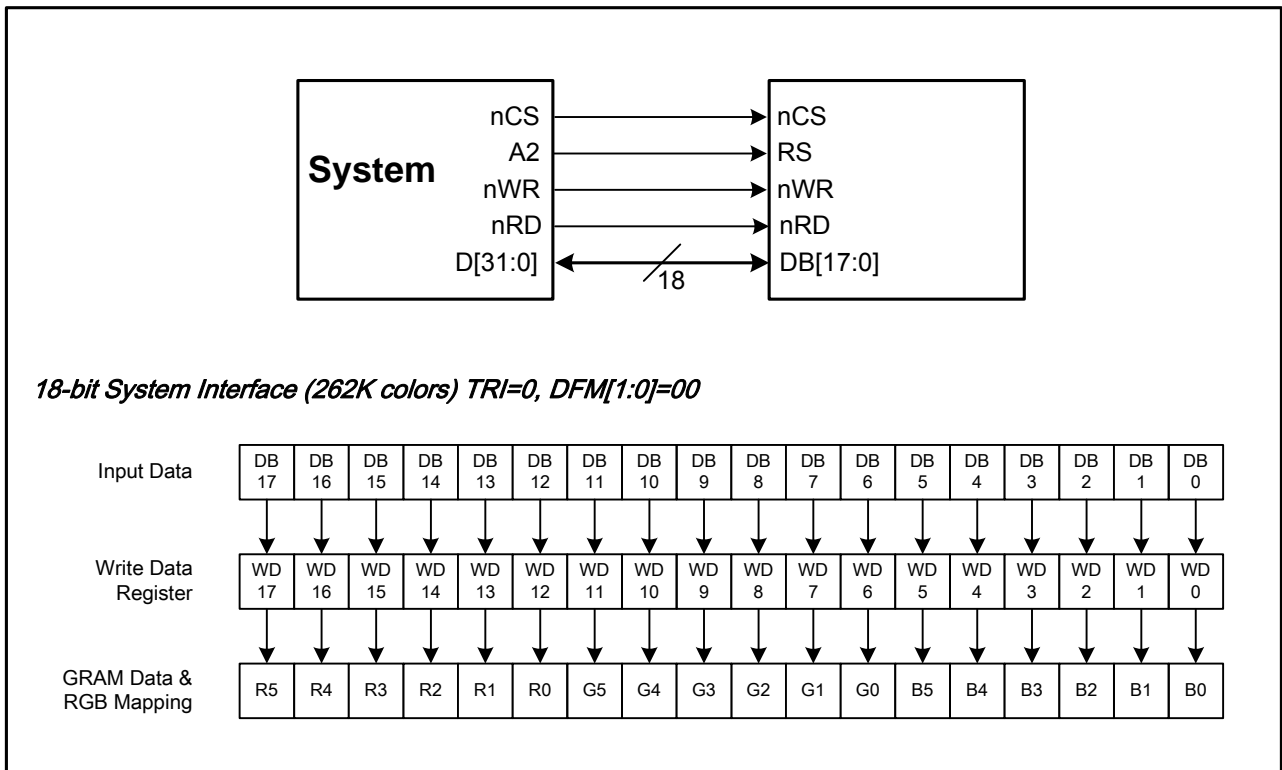


Figure2 18-bit System Interface Data Format

7.2.2. i80/16-bit System Interface

The i80/16-bit system interface is selected by setting the IM[3:0] as "0010" levels.

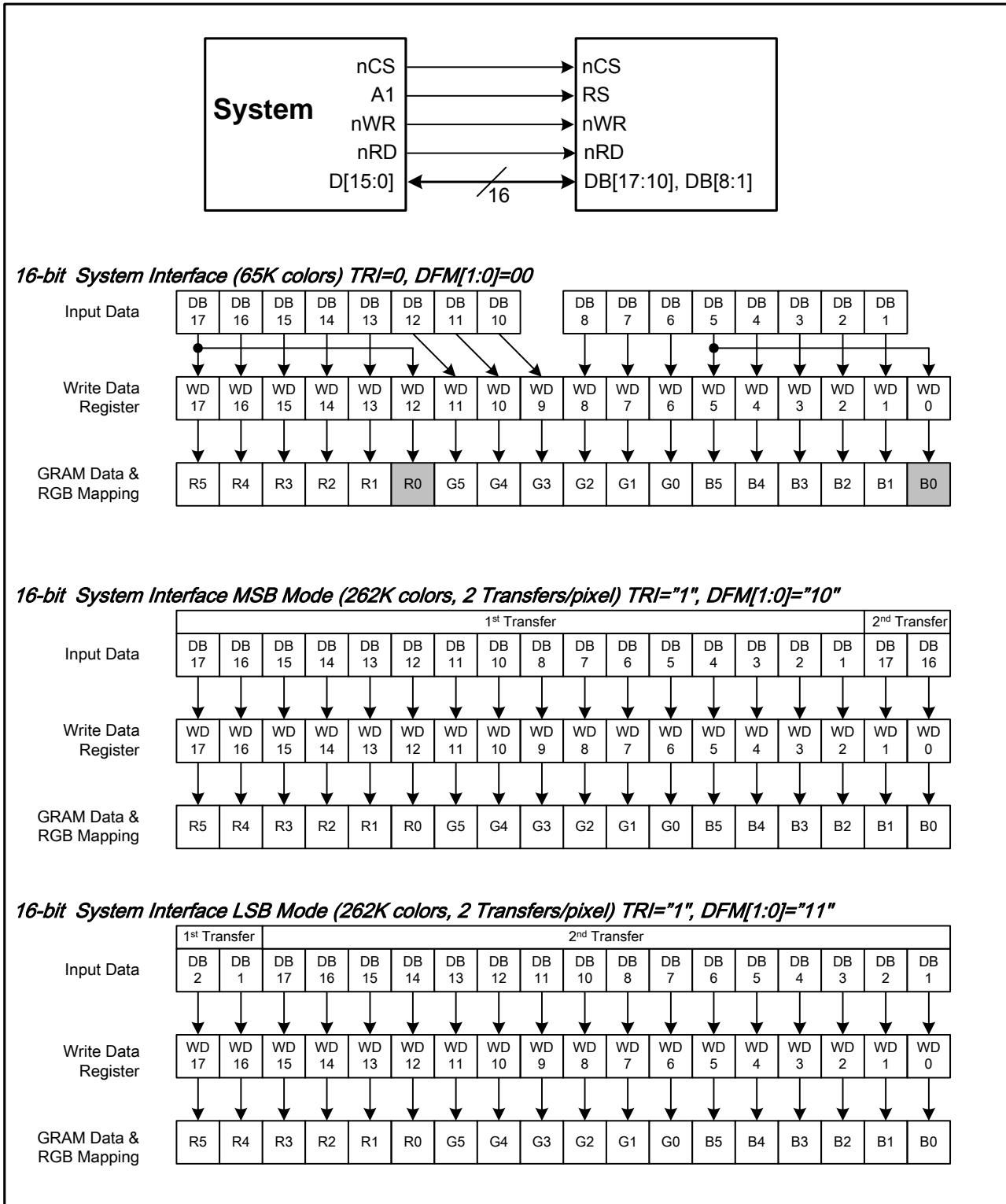


Figure3 16-bit System Interface Data Format

7.2.3. i80/9-bit System Interface

The i80/9-bit system interface is selected by setting the IM[3:0] as “1011” and the DB17~DB9 pins are used to transfer the data. When writing the 16-bit register, the data is divided into upper byte (8 bits and LSB is not used) lower byte and the upper byte is transferred first. The display data is also divided in upper byte (9 bits) and lower byte, and the upper byte is transferred first. The unused DB[8:0] pins must be tied to ground.

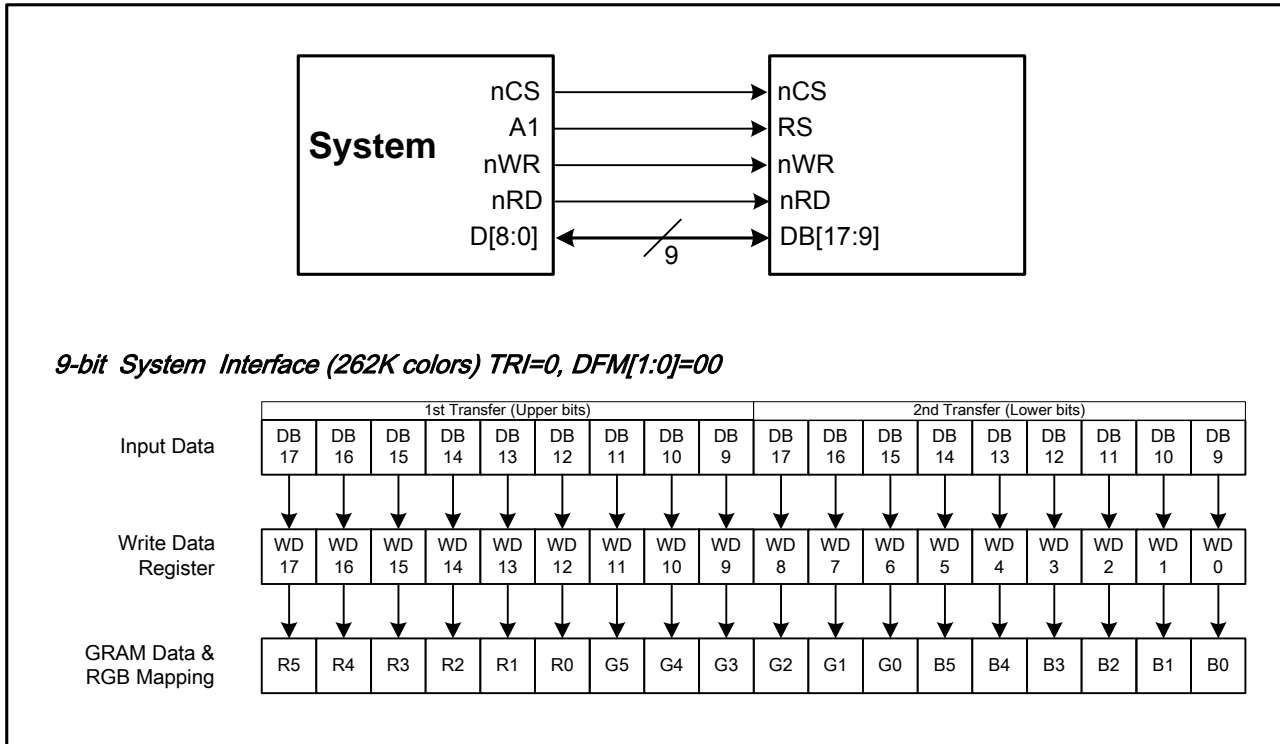
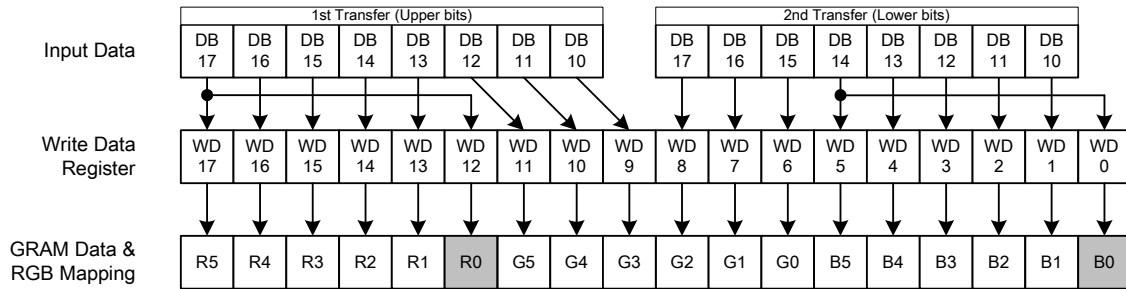


Figure4 9-bit System Interface Data Format

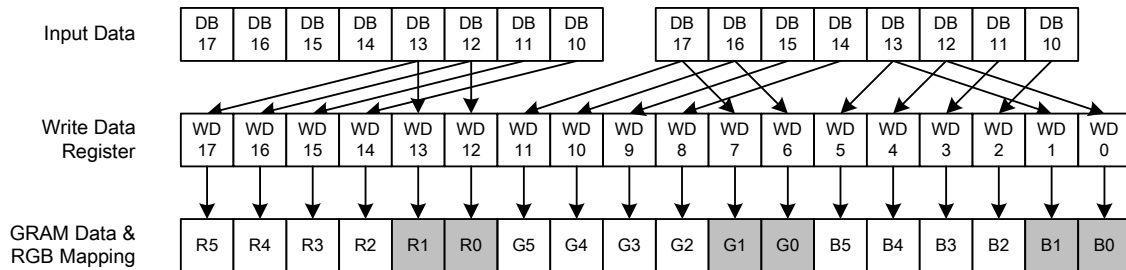
7.2.4. i80/8-bit System Interface

The i80/8-bit system interface is selected by setting the IM[3:0] as “0011” and the DB17~DB10 pins are used to transfer the data. When writing the 16-bit register, the data is divided into upper byte (8 bits and LSB is not used) lower byte and the upper byte is transferred first. The display data is also divided in upper byte (8 bits) and lower byte, and the upper byte is transferred first. The written data is expanded into 18 bits internally (see the figure below) and then written into GRAM. The unused DB[9:0] pins must be tied to ground.

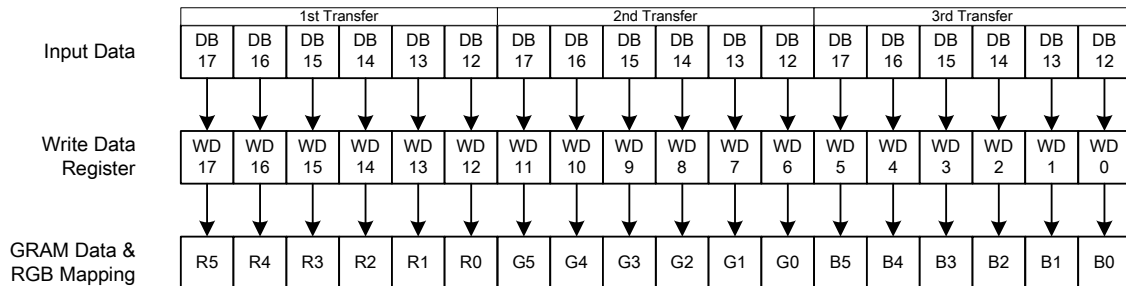
8-bit System Interface (65K colors) TRI=0, DFM[1:0]=00



8-bit System Interface (4096 colors) TRI=0, DFM[1:0]=01



8-bit System Interface (262K colors) TRI=1, DFM[1:0]=10



8-bit System Interface (65K colors) TRI=1, DFM[1:0]=11

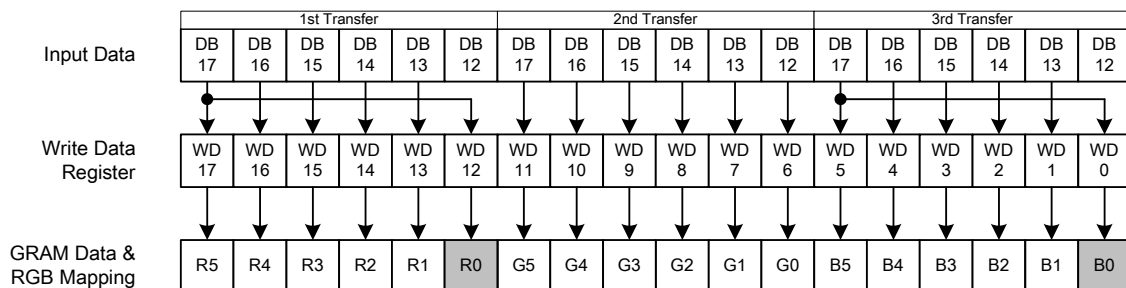


Figure5 8-bit System Interface Data Format

Data transfer synchronization in 8/9-bit bus interface mode

ILI9225 supports a data transfer synchronization function to reset upper and lower counters which count the transfers number of upper and lower byte in 8/9-bit interface mode. If a mismatch arises in then numbers of transfers between the upper and lower byte counters due to noise and so on, the “00”h register is written 4 times consecutively to reset the upper and lower counters so that data transfer will restart with a transfer of upper byte. This synchronization function can effectively prevent display error if the upper/lower counters are periodically reset.

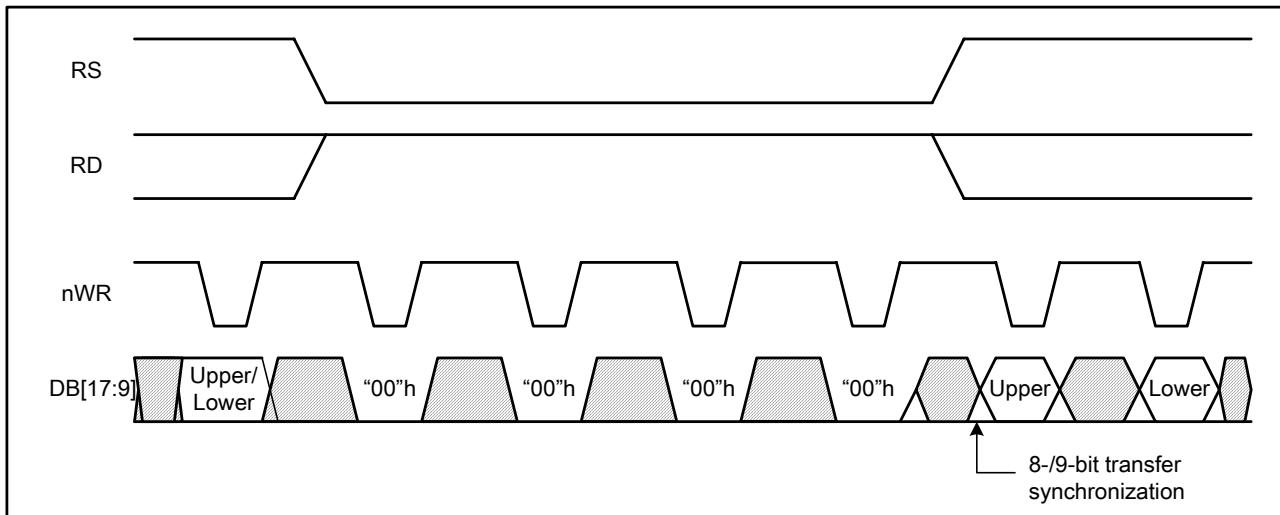


Figure6 Data Transfer Synchronization in 8/9-bit System Interface

7.3. Serial Peripheral Interface (SPI)

The Serial Peripheral Interface (SPI) is selected by setting the IM[3:0] pins as “010x” level. The chip select pin (nCS), the serial transfer clock pin (SCL), the serial data input pin (SDI) and the serial data output pin (SDO) are used in SPI mode. The ID pin sets the least significant bit of the identification code. The DB[17:0] pins, which are not used, must be tied to ground.

The SPI interface operation enables from the falling edge of nCS and ends of data transfer on the rising edge of nCS. The start byte is transferred to start the SPI interface and the read/write operation and RS information are also included in the start byte. When the start byte is matched, the subsequent data is received by ILI9225.

The seventh bit of start byte is RS bit. When RS = “0”, either index write operation or status read operation is executed. When RS = “1”, either register write operation or RAM read/write operation is executed. The eighth bit of the start byte is used to select either read or write operation (R/W bit). Data is written when the R/W bit is “0” and read back when the R/W bit is “1”.

After receiving the start byte, ILI9225 starts to transfer or receive the data in unit of byte and the data transfer starts from the MSB bit. All the registers of the ILI9225 are 16-bit format and receive the first and the second

byte data as the upper and the lower eight bits of the 16-bit register respectively. In SPI mode, 5 bytes dummy read is necessary and the valid data starts from 6th byte of read back data.

Start Byte Format

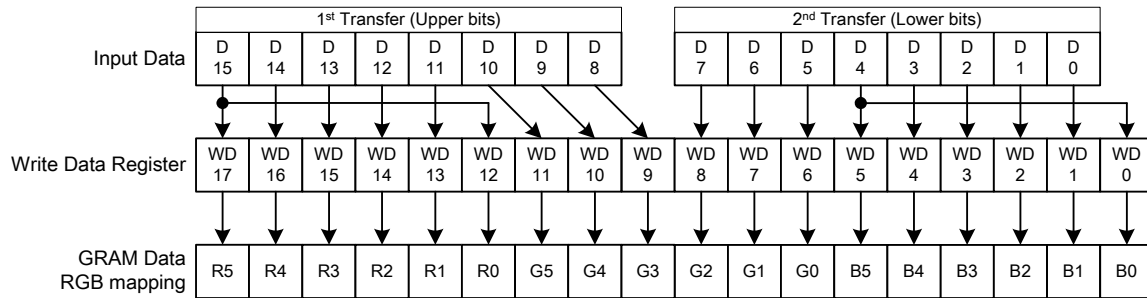
Transferred bits	S	1	2	3	4	5	6	7	8	
Start byte format	Transfer start	Device ID code					RS	R/W		
		0	1	1	1	0	ID	1/0	1/0	

Note: ID bit is selected by setting the IM0/ID pin.

RS and R/W Bit Function

RS	R/W	Function
0	0	Set an index register
0	1	Read a status
1	0	Write a register or GRAM data
1	1	Read a register or GRAM data

Serial Data Transfer Interface (65K colors) TRI=0, DFM[1:0]=00



Serial Data Transfer Interface (262K colors) TRI=1, DFM[1:0]=11

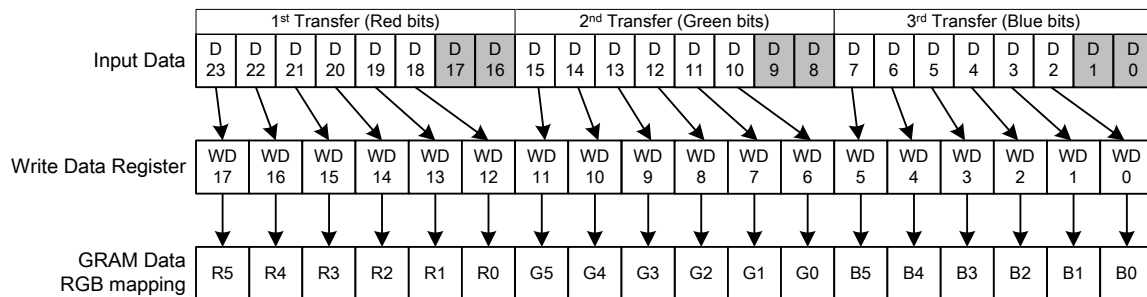
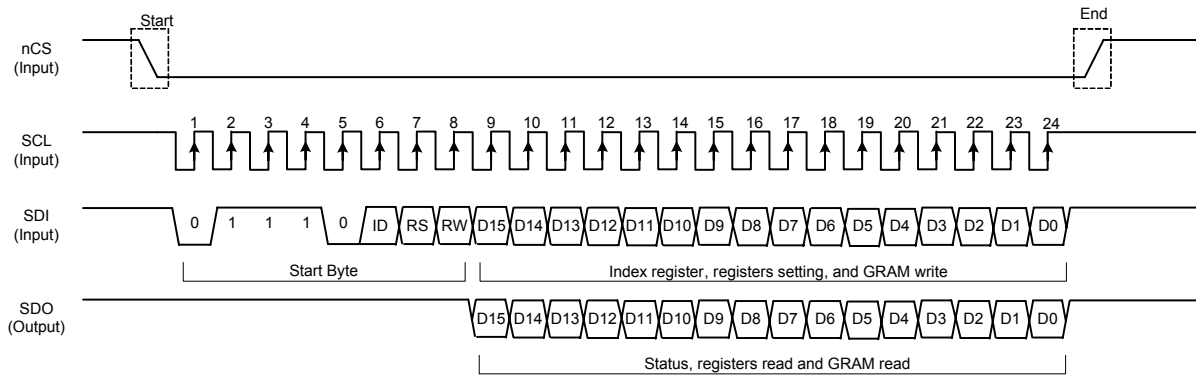
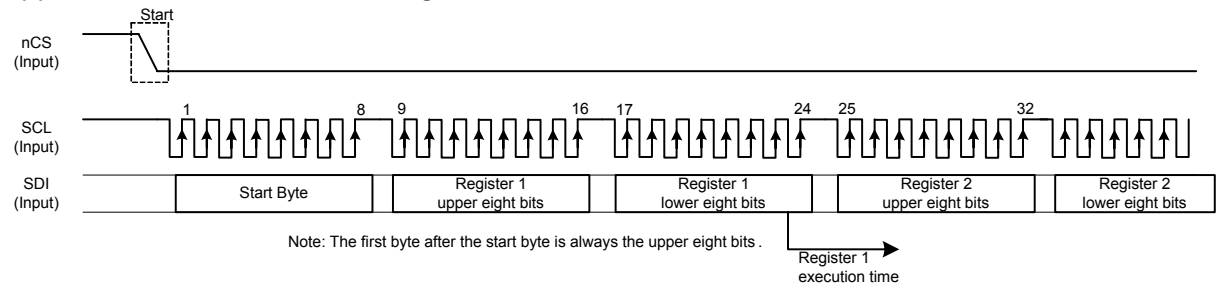


Figure7 Data Format of SPI Interface

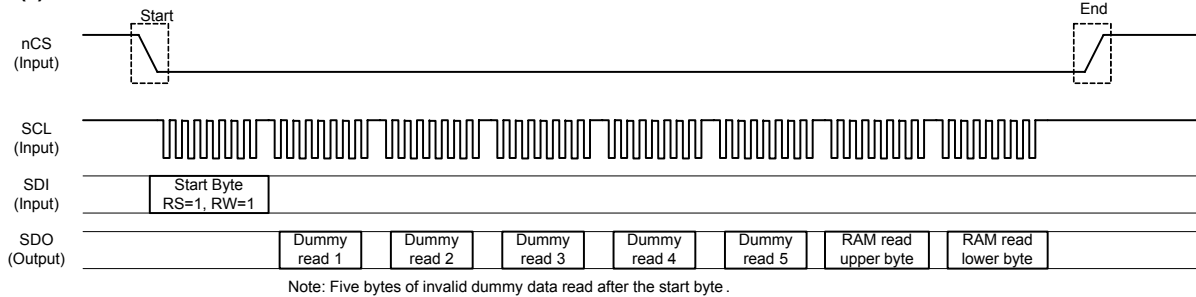
(a) Basic data transmission through SPI



(b) Consecutive data transmission through SPI



(c) GRAM data read transmission



(d) Status/registers read transmission

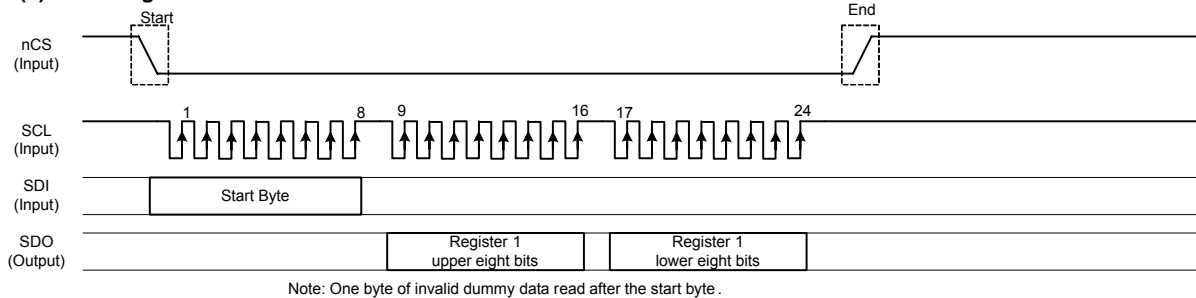


Figure8 Data transmission through serial peripheral interface (SPI)

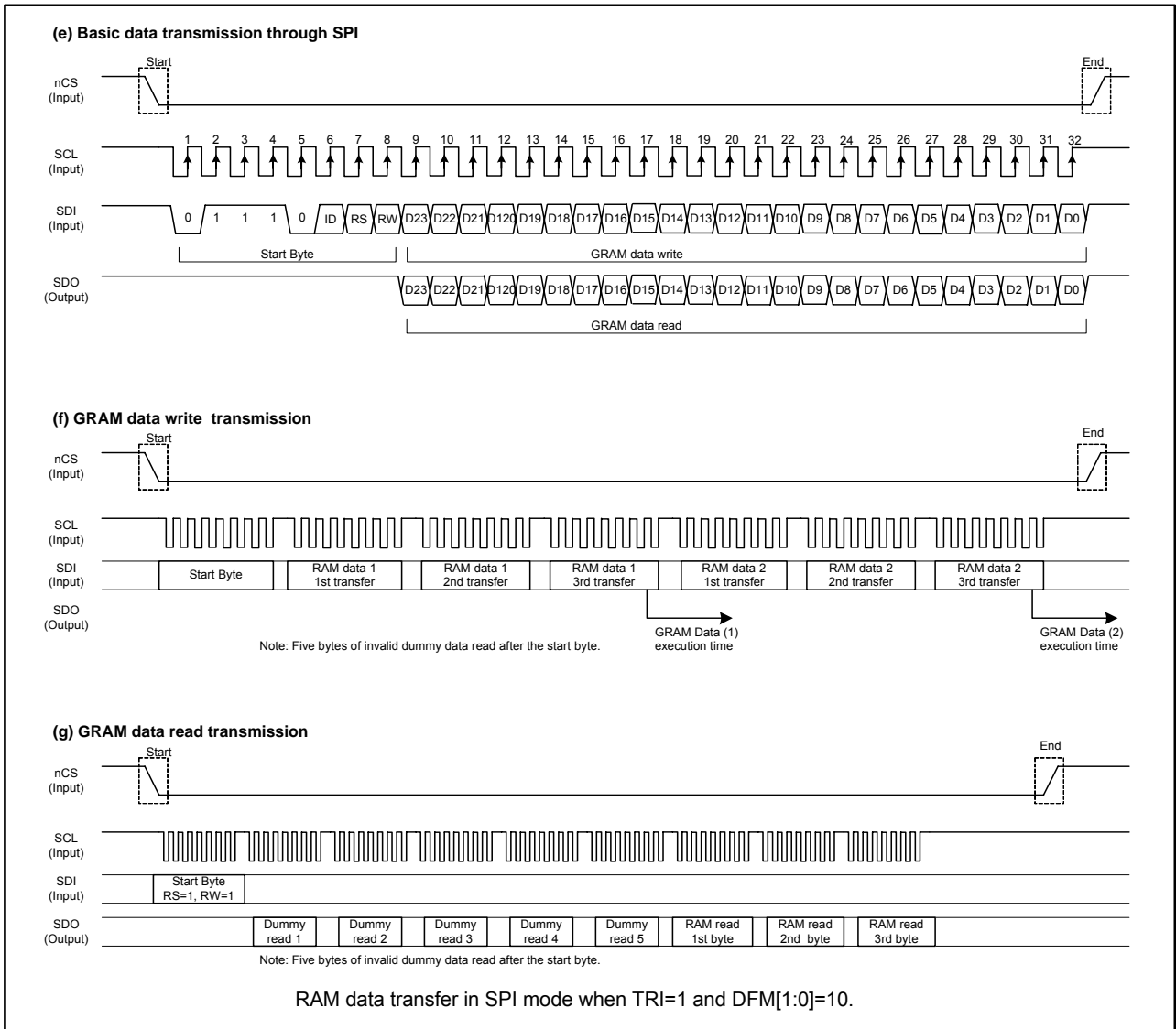


Figure9 Data transmission through serial peripheral interface (SPI), TRI="1" and DFM="10"

7.4. RGB Input Interface

The RGB Interface mode is available for ILI9225 and the interface is selected by setting the RIM[1:0] bits as following table.

RIM1	RIM0	RGB Interface	DB pins
0	0	18-bit RGB Interface	DB[17:0]
0	1	16-bit RGB Interface	DB[17:13], DB[11:1]
1	0	6-bit RGB Interface	DB[17:12]
1	1	Setting prohibited	

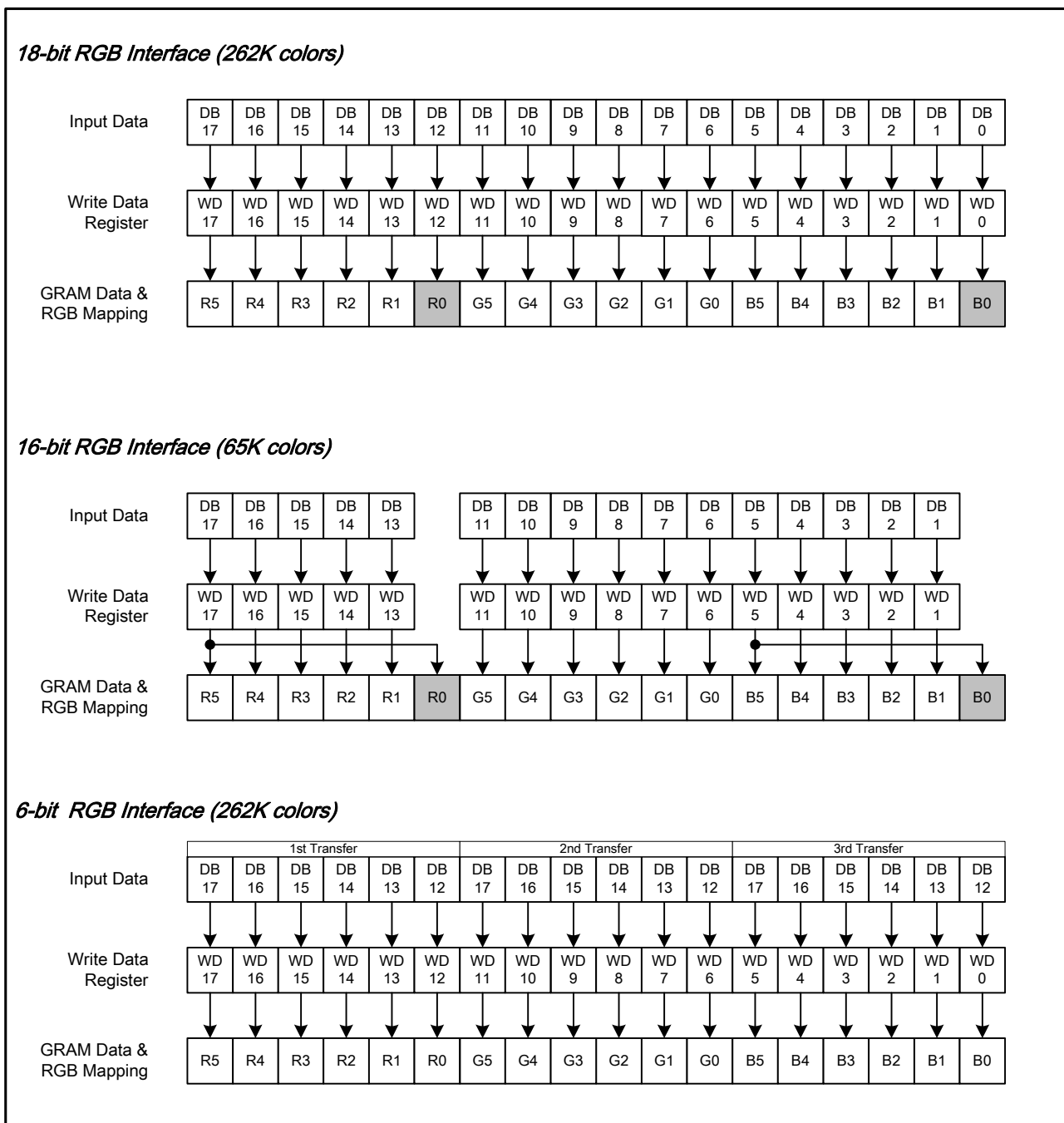


Figure100 RGB Interface Data Format

7.4.1. RGB Interface

The display operation via the RGB interface is synchronized with the VSYNC, HSYNC, and DOTCLK signals. The RGB interface transfers the updated data to GRAM with the high-speed write function and the update area is defined by the window address function. The back porch and front porch are used to set the RGB interface timing.

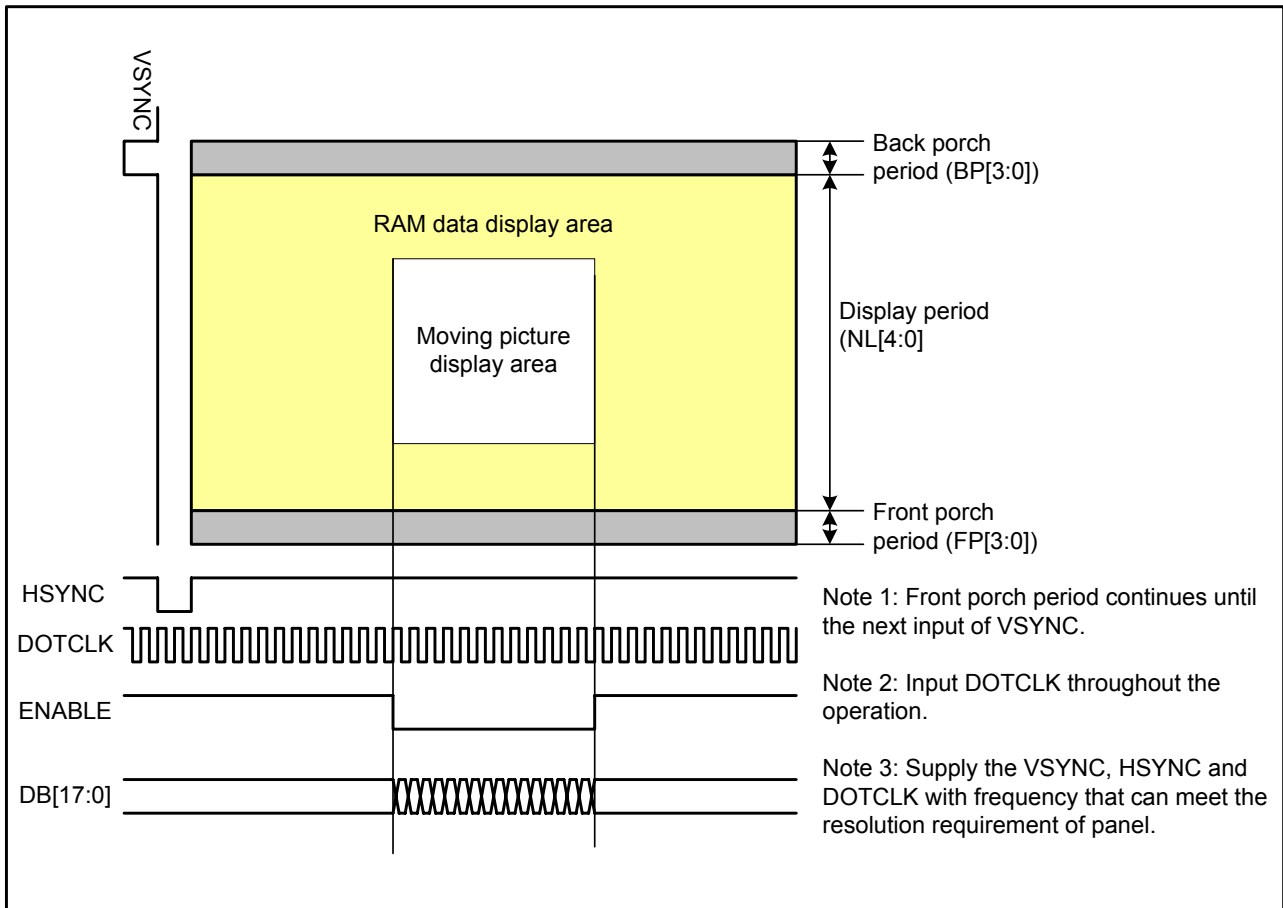


Figure11 GRAM Access Area by RGB Interface

7.4.2. RGB Interface Timing

The timing chart of 18-/16-bit RGB interface mode is shown as follows.

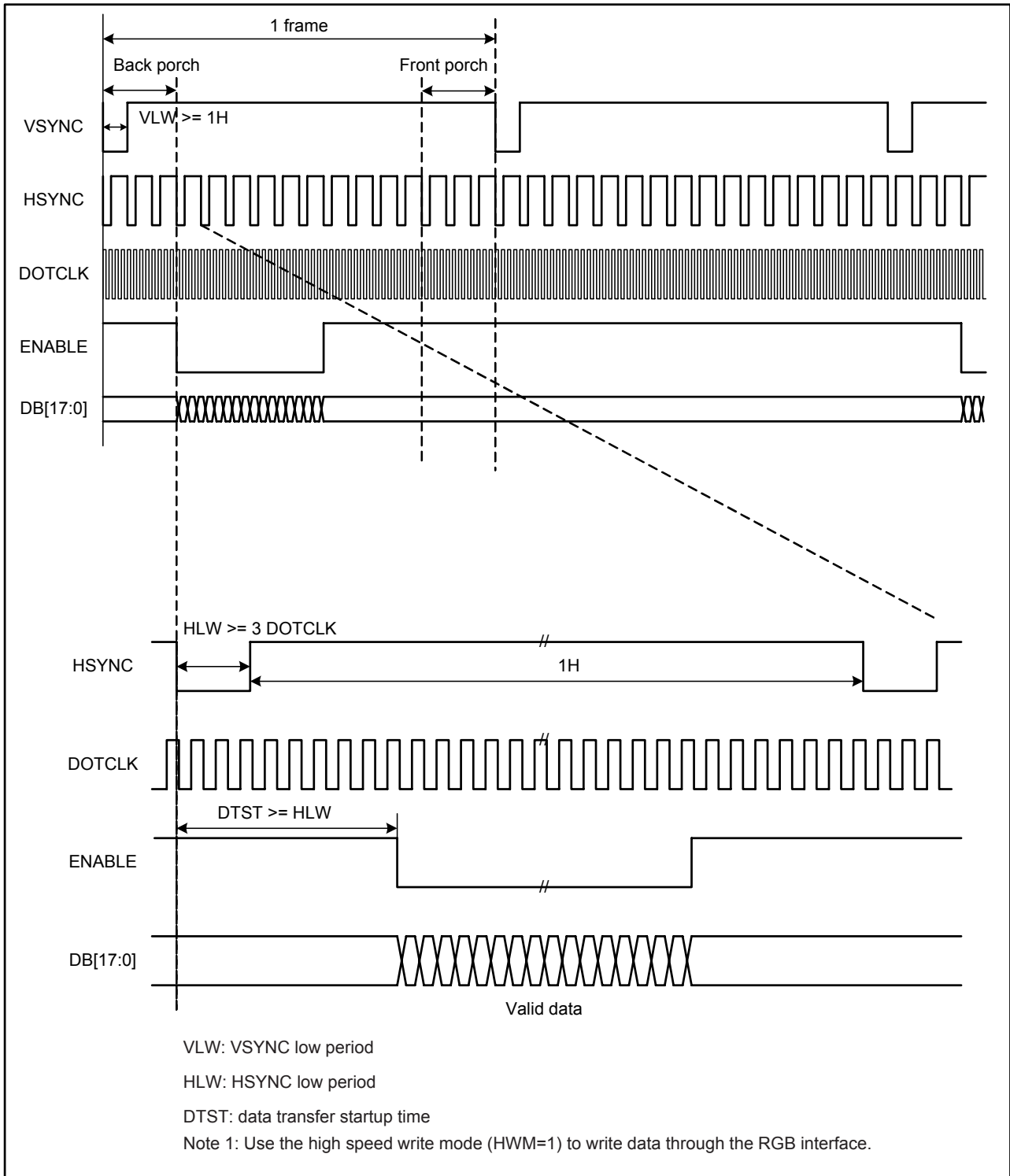


Figure12 Timing Chart of Signals in 18-/16-bit RGB Interface Mode

The timing chart of 6-bit RGB interface mode is shown as follows.

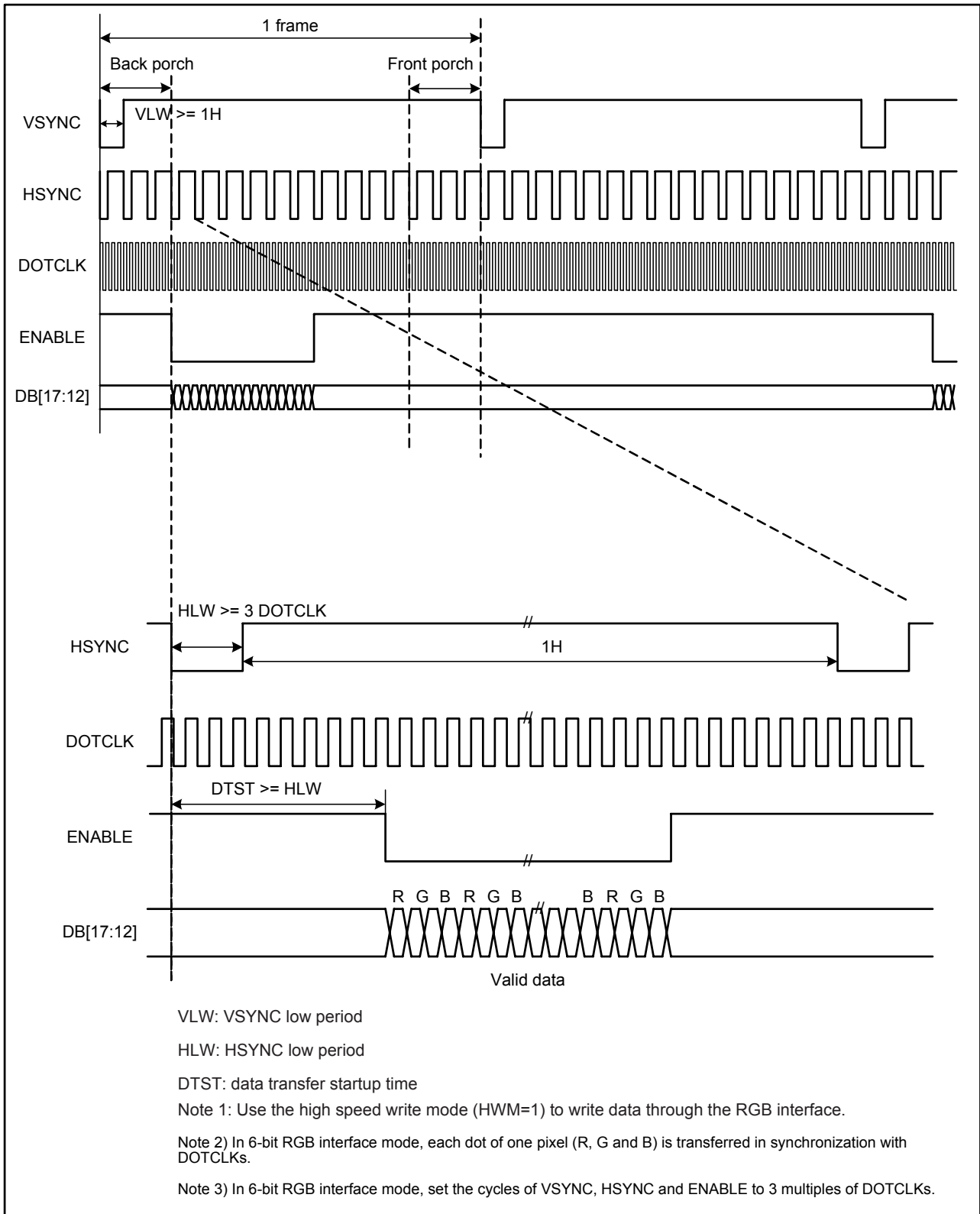


Figure13 Timing chart of signals in 6-bit RGB interface mode

7.4.3. Moving Picture Mode

ILI9225 has the RGB interface to display moving picture and incorporates GRAM to store display data, which has following merits in displaying a moving picture.

- The window address function defined the update area of GRAM.
- Only the moving picture area of GRAM is updated.
- When display the moving picture in RGB interface mode, the DB[17:0] can be switched as system interface to update still picture area and registers, such as icons.

RAM access via a system interface in RGB-I/F mode

ILI9225 allows GRAM access via the system interface in RGB interface mode. In RGB interface mode, data are written to the internal GRAM in synchronization with DOTCLK and ENABLE signals. When write data to the internal GRAM by the system interface, set ENABLE to terminate the RGB interface and switch to the system interface to update the registers (RM = "0") and the still picture of GRAM. When restart RAM access in RGB interface mode, wait one read/write cycle and then set RM = "1" and the index register to R22h to start accessing RAM via the RGB interface. If RAM accesses via two interfaces conflicts, there is no guarantee that data are written to the internal GRAM.

The following figure illustrates the operation of the ILI9225 when displaying a moving picture via the RGB interface and rewriting the still picture RAM area via the system interface.

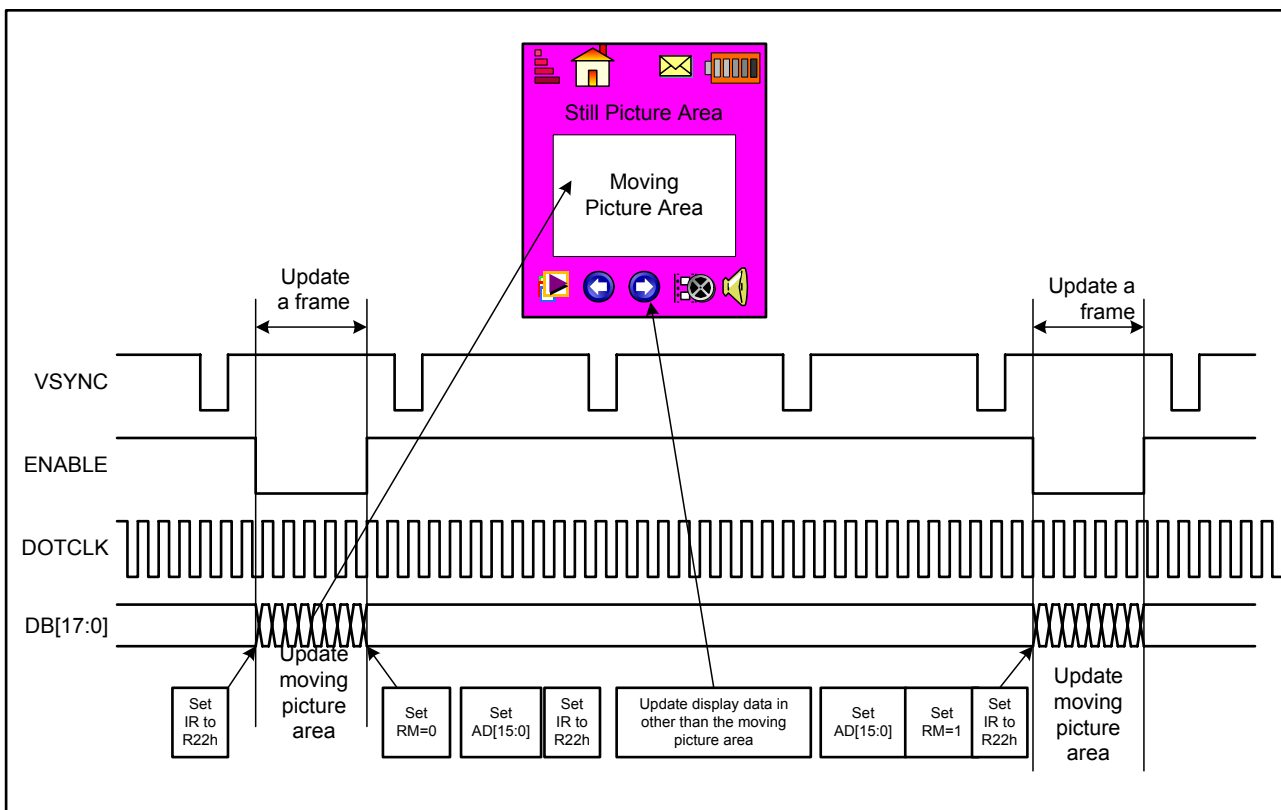
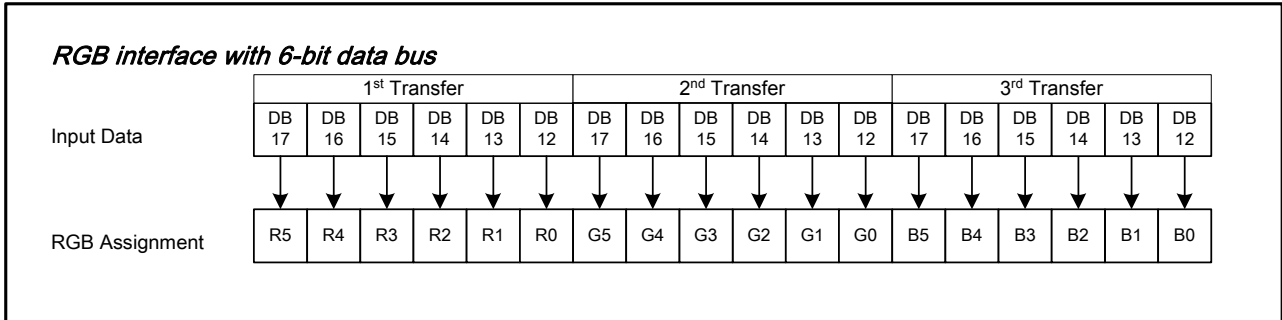


Figure14 Example of update the still and moving picture

7.4.4. 6-bit RGB Interface

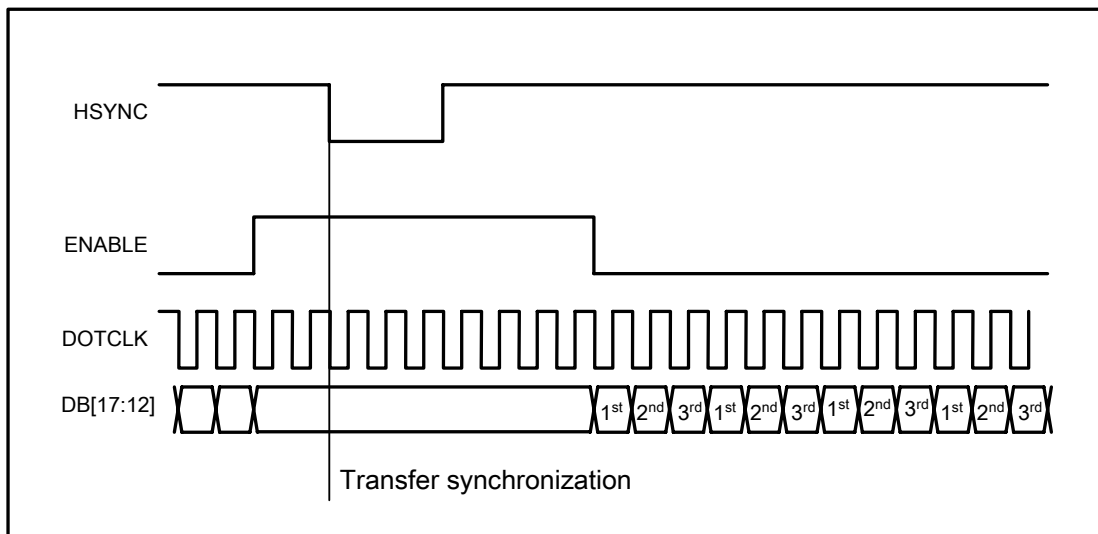
The 6-bit RGB interface is selected by setting the RIM[1:0] bits to “10”. The display operation is synchronized with VSYNC, HSYNC, and DOTCLK signals. Display data are transferred to the internal GRAM in synchronization with the display operation via 6-bit RGB data bus (DB[17:12]) according to the data enable signal (ENABLE). Unused pins (DB[11:0]) must be fixed at ground. Registers can be set by the system interface (i80/M68/SPI).



Data transfer synchronization in 6-bit RGB interface mode

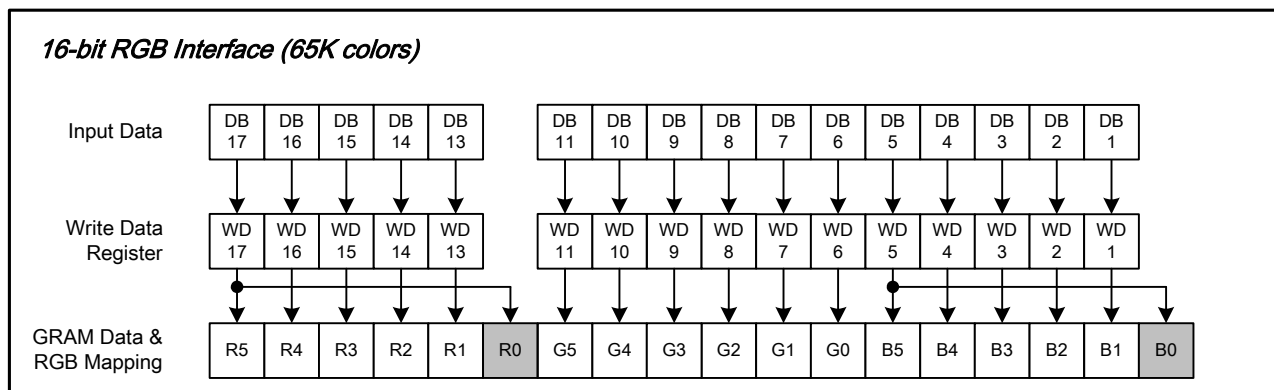
ILI9225 has data transfer counters to count the first, second, third data transfers in 6-bit RGB interface mode. The transfer counter is always reset to the state of first data transfer on the falling edge of VSYNC. If a mismatch arises in the number of each data transfer, the counter is reset to the state of first data transfer at the start of the frame (i.e. on the falling edge of VSYNC) to restart data transfer in the correct order from the next frame. This function is expedient for moving picture display, which requires consecutive data transfer in light of minimizing effects from failed data transfer and enabling the system to return to a normal state.

Note that internal display operation is performed in units of pixels (RGB: taking 3 inputs of DOTCLK). Accordingly, the number of DOTCLK inputs in one frame period must be a multiple of 3 to complete data transfer correctly. Otherwise it will affect the display of that frame as well as the next frame.



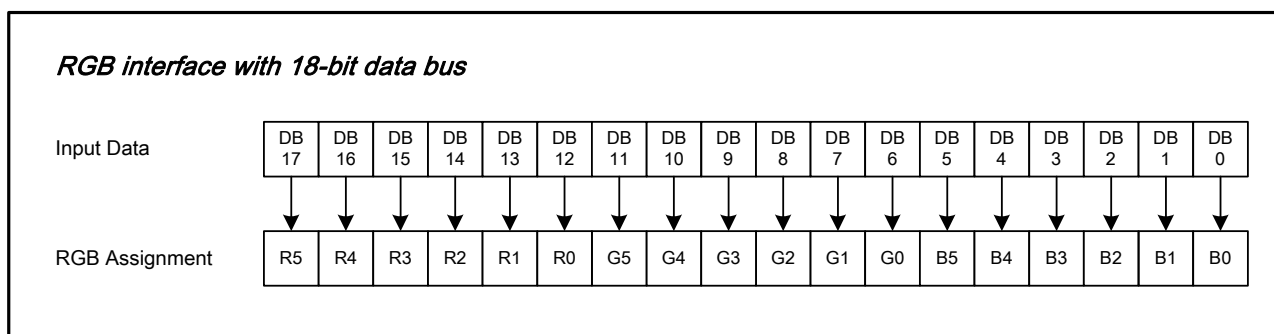
7.4.5. 16-bit RGB Interface

The 16-bit RGB interface is selected by setting the RIM[1:0] bits to “01”. The display operation is synchronized with VSYNC, HSYNC, and DOTCLK signals. Display data are transferred to the internal RAM in synchronization with the display operation via 16-bit RGB data bus (DB17-13, DB11-1) according to the data enable signal (ENABLE). Registers are set only via the system interface.



7.4.6. 18-bit RGB Interface

The 18-bit RGB interface is selected by setting the RIM[1:0] bits to “00”. The display operation is synchronized with VSYNC, HSYNC, and DOTCLK signals. Display data are transferred to the internal RAM in synchronization with the display operation via 18-bit RGB data bus (DB[17:0]) according to the data enable signal (ENABLE). Registers are set only via the system interface.



Notes in using the RGB Input Interface

1. The following are the functions not available in RGB Input Interface mode.

Function	RGB interface	I80/M68 system interface
Partial display	Not available	Available
Scroll function	Not available	Available
Interlaced scan	Not available	Available
Graphics operation function	Not available	Available

2. VSYNC, HSYNC, and DOTCLK signals must be supplied throughout a display operation period.
3. The periods set with the NO[1:0] bits (gate output non-overlap period), STD[1:0] bits (source output delay period) and EQ[1:0] bits (equalization period) are not based on the internal clock but based on DOTCLK in

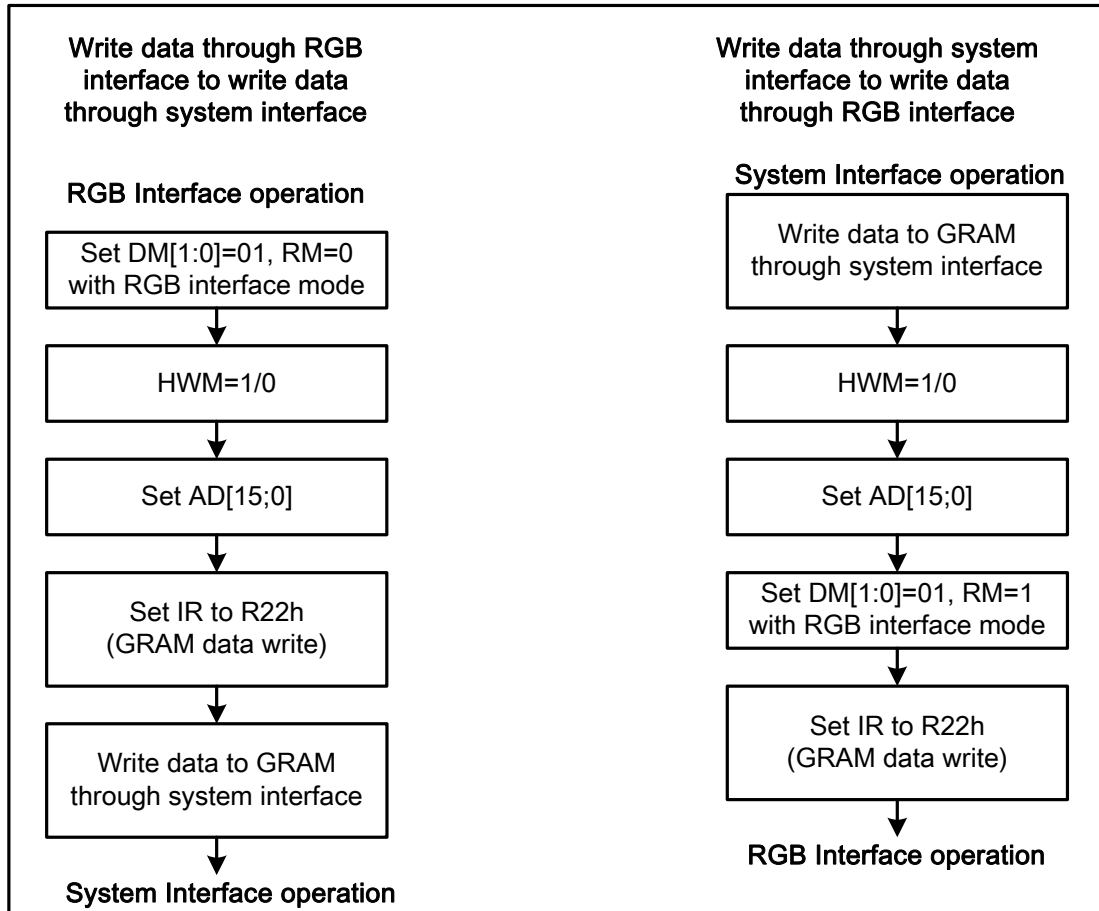


Figure16 GRAM access between system interface and RGB interface

7.5. Interface Timing

The following are diagrams of interfacing timing with LCD panel control signals in internal operation and RGB interface modes.

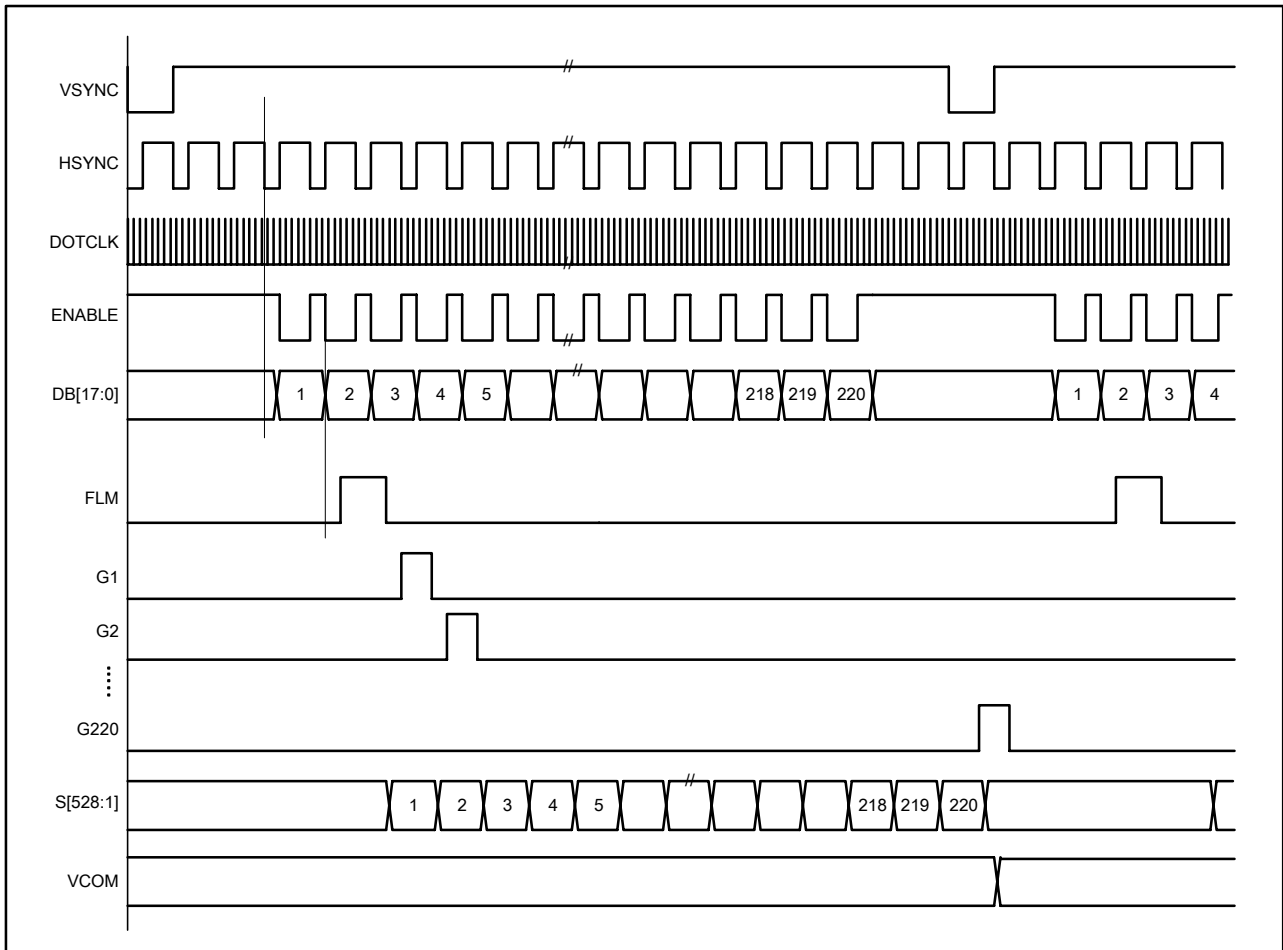


Figure17 Relationship between RGB I/F signals and LCD Driving Signals for Panel

8. Register Descriptions

8.1. Registers Access

ILI9225 adopts 18-bit bus interface architecture for high-performance microprocessor. All the functional blocks of ILI9225 starts to work after receiving the correct instruction from the external microprocessor by the 18-, 16-, 9-, 8-bit interface. The index register (IR) stores the register address to which the instructions and display data will be written. The register selection signal (RS), the read/write signals (nRD/nWR) and data bus D17-0 are used to read/write the instructions and data of ILI9225. The registers of the ILI9225 are categorized into the following groups.

1. Specify the index of register (IR)
2. Read a status
3. Display control
4. Power management Control
5. Graphics data processing
6. Set internal GRAM address (AC)
7. Transfer data to/from the internal GRAM (R22)
8. Internal grayscale γ -correction (R30 ~ R39)

Normally, the display data (GRAM) is most often updated, and in order since the ILI9225 can update internal GRAM address automatically as it writes data to the internal GRAM and minimize data transfer by using the window address function, there are fewer loads on the program in the microprocessor. As the following figure shows, the way of assigning data to the 16 register bits (D[15:0]) varies for each interface. Send registers in accordance with the following data transfer format.

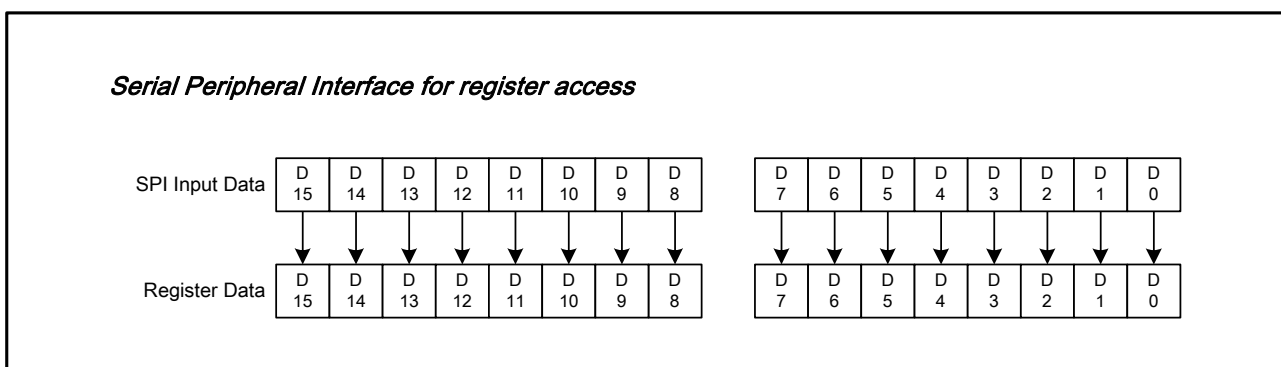
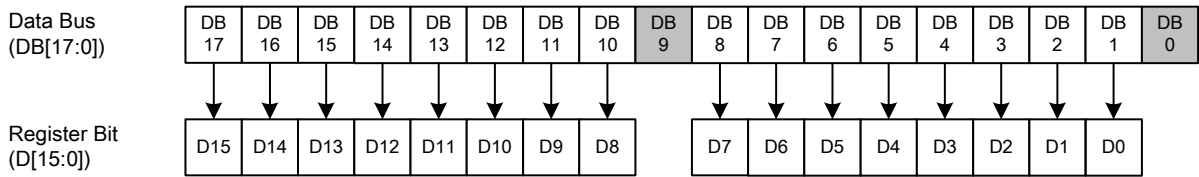
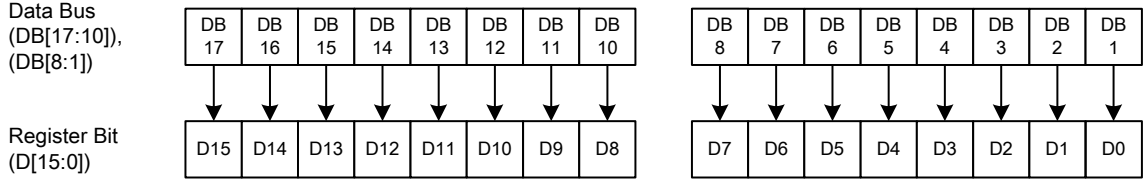


Figure18 Register Setting with Serial Peripheral Interface (SPI)

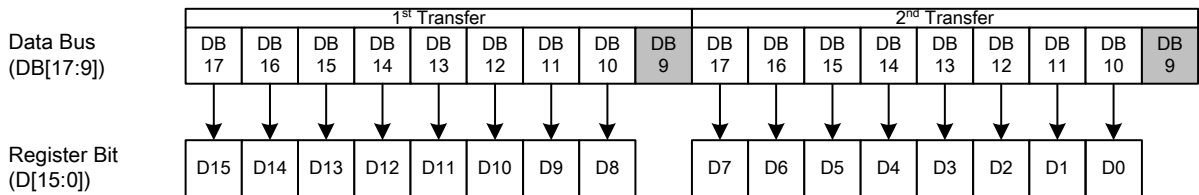
i80/M68 system 18-bit data bus interface



i80/M68 system 16-bit data bus interface



i80/M68 system 9-bit data bus interface



i80/M68 system 8-bit data bus interface/Serial peripheral interface (2/3 transmission)

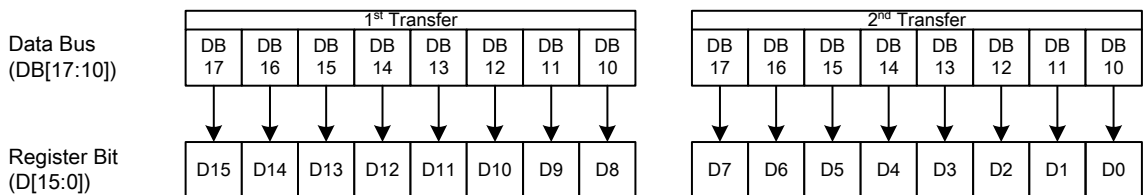


Figure19 Register setting with i80/M68 System Interface

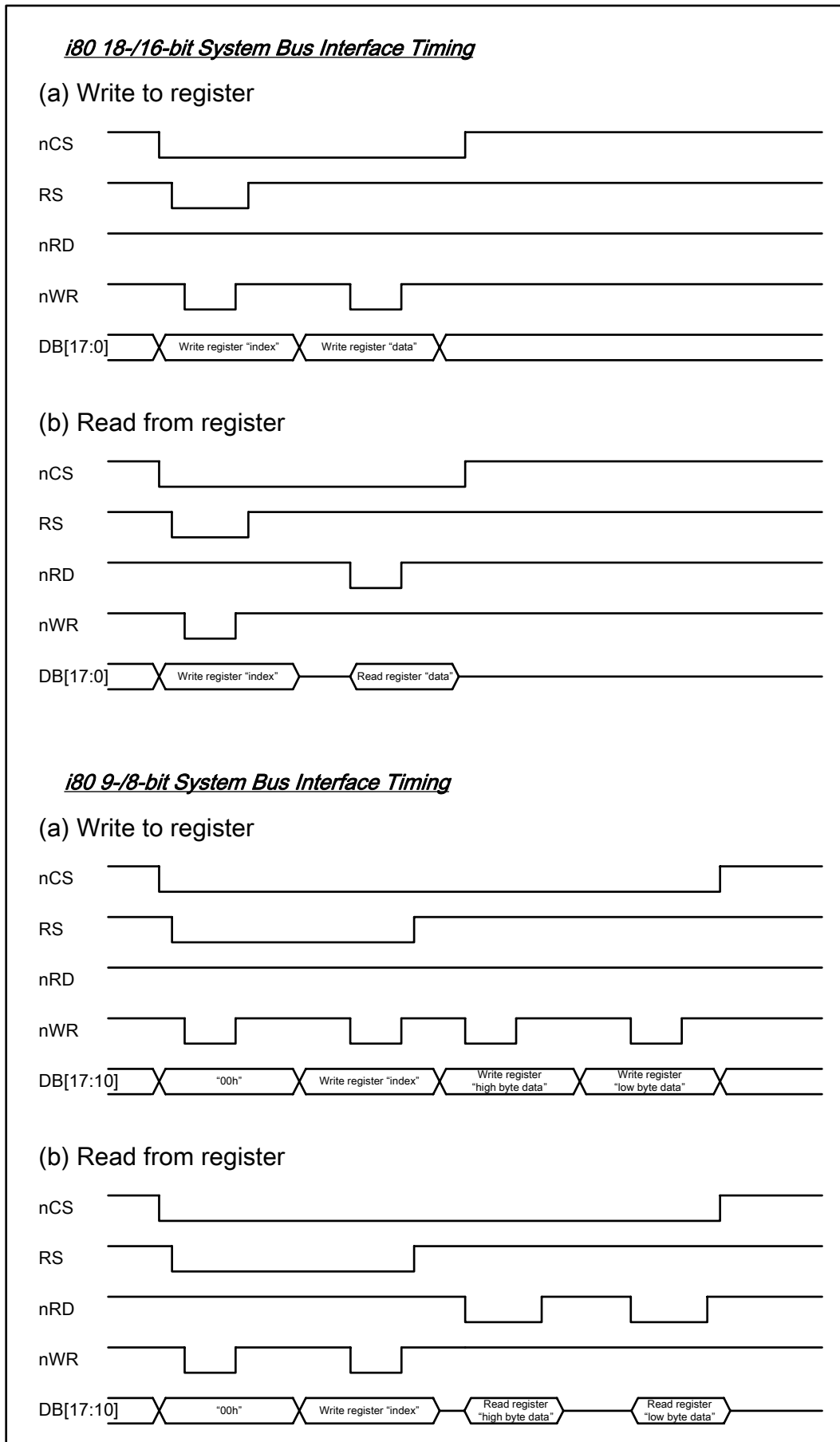


Figure20 Register Read/Write Timing of i80 System Interface

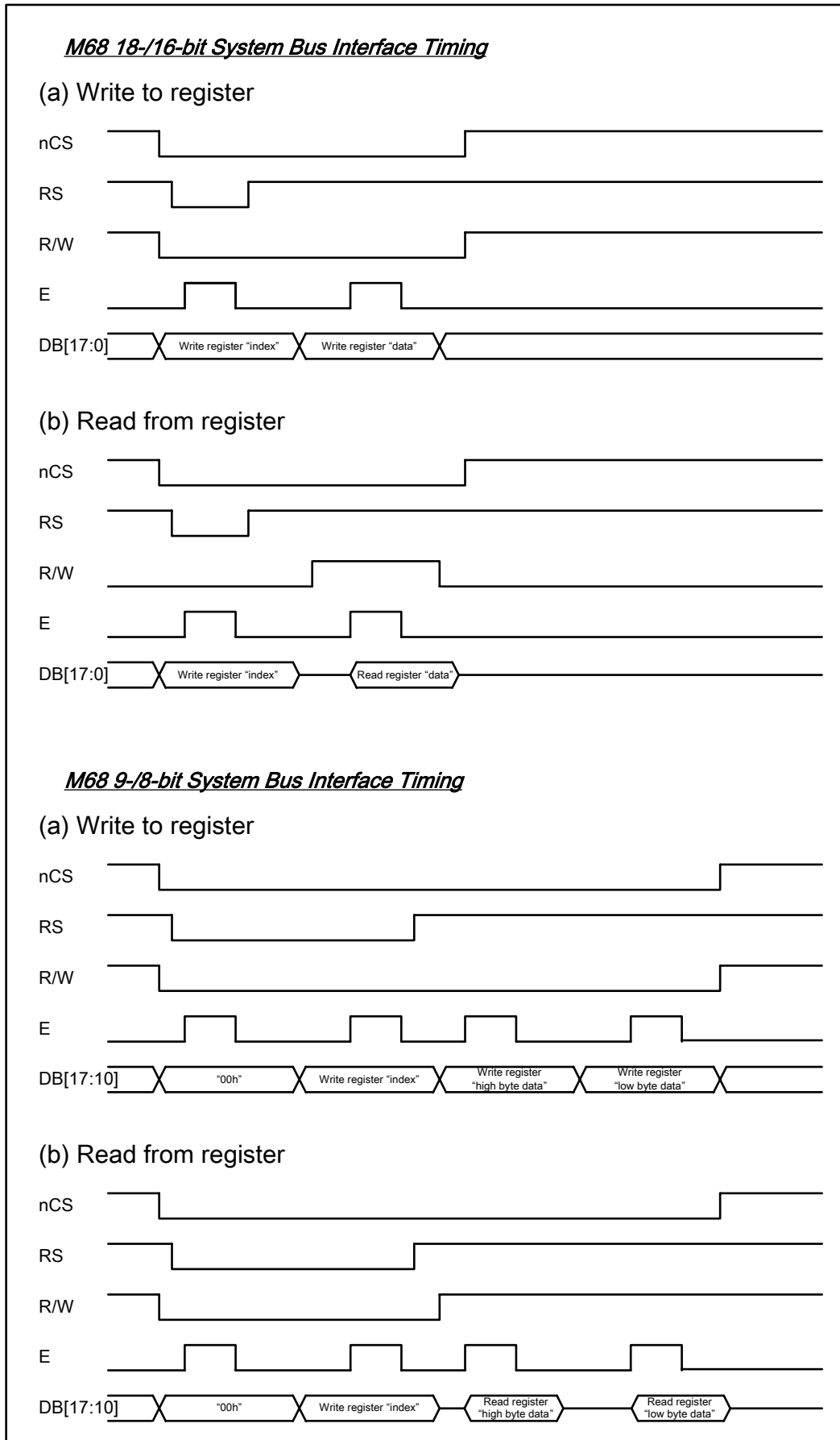


Figure21 Register Read/Write Timing of M68 System Interface

8.2. Instruction Descriptions

No.	Registers Name	R/W	RS	D15	D14	D13	D12	D11	D10	D9	D8	D7	D6	D5	D4	D3	D2	D1	D0
IR	Index	W	0	x	x	x	x	x	x	x	x	x	ID6	ID5	ID4	ID3	ID2	ID1	ID0
SR	Status Read	R	0	x	x	x	x	x	x	x	L8	L7	L6	L5	L4	L3	L2	L1	L0
00h	Driver Code Read	R	1	0	0	0	0	0	0	0	1	0	1	1	0	0	1	0	0
01h	Driver Output Control	W	1	VSPL (0)	HSPL (0)	DPL (0)	EPL (0)	x	SM (0)	GS (0)	SS (0)	x	x	x	NL4 (0)	NL3 (0)	NL2 (0)	NL1 (0)	NL0 (0)
02h	LCD AC Driving Control	W	1	x	x	x	x	x	x	INV1 (0)	INV0 (1)	x	x	x	x	x	x	x	FLD (0)
03h	Entry Mode	W	1	x	x	x	BGR (0)	x	x	MDT1 (0)	MDT0 (0)	x	x	ID1 (1)	ID0 (0)	AM (0)	x	x	x
07h	Display Control 1	W	1	x	x	x	TEMON (0)	x	x	x	x	x	x	x	GON (0)	CL (0)	REV (0)	D1 (0)	D0 (0)
08h	Blank Period Control 1	W	1	x	x	x	x	FP3 (0)	FP2 (0)	FP1 (0)	FP0 (0)	x	x	x	x	BP3 (1)	BP2 (0)	BP1 (0)	BP0 (0)
0Bh	Frame Cycle Control	W	1	NO3 (0)	NO2 (0)	NO1 (0)	NO0 (1)	SDT3 (0)	SDT2 (0)	SDT1 (0)	SDT0 (1)	x	x	x	x	RTN3 (0)	RTN2 (0)	RTN1 (0)	RTN0 (0)
0Ch	Interface Control	W	1	x	x	x	x	x	x	x	RM (0)	x	x	x	DM (0)	x	x	RIM1 (0)	RIM0 (0)
0Fh	Oscillation Control	W	1	x	x	x	FOSC4 (0)	FOSC3 (0)	FOSC2 (1)	FOSC1 (0)	FOSC0 (1)	x	x	x	x	x	x	x	OSC ON(1)
10h	Power Control 1	W	1	x	x	x	x	SAP3 (0)	SAP2 (0)	SAP (1)	SAP0 (0)	x	x	x	AB2A (0)	x	x	DSTB (0)	STB (0)
11h	Power Control 2	W	1	x	x	x	APON (0)	PON3 (0)	PON2 (0)	PON1 (0)	PON0 (0)	x	x	AON (0)	VC11 EN(0)	VC3 (0)	VC2 (0)	VC1 (0)	VC0 (0)
12h	Power Control 3	W	1	x	BT2 (0)	BT1 (0)	BT0 (0)	x	x	DC11 (0)	DC10 (0)	x	x	DC21 (0)	DC20 (0)	x	x	DC31 (0)	DC30 (0)
13h	Power Control 4	W	1	x	x	x	DCR_EX (0)	x	DCR2 (0)	DCR1 (0)	DCR0 (0)	x	GVD6 (0)	GVD5 (0)	GVD4 (0)	GVD3 (0)	GVD2 (0)	GVD1 (0)	GVD0 (0)
14h	Power Control 5	W	1	VCOMG (1)	VCM6 (0)	VCM5 (0)	VCM4 (0)	VCM3 (0)	VCM2 (0)	VCM1 (0)	VCM0 (0)	VCMR (0)	VML6 (0)	VML5 (0)	VML4 (0)	VML3 (0)	VML2 (0)	VML1 (0)	VML0 (0)
15h	VCI Recycling	W	1	x	x	x	x	x	x	x	x	x	VCIR2 (0)	VCIR1 (0)	VCIR0 (0)	x	x	x	VCIR VSS(0)
20h	RAM Address Set 1	W	1	x	x	x	x	x	x	x	x	AD7 (0)	AD6 (0)	AD5 (0)	AD4 (0)	AD3 (0)	AD2 (0)	AD1 (0)	AD0 (0)
21h	RAM Address Set 2	W	1	x	x	x	x	x	x	x	x	AD15 (0)	AD14 (0)	AD13 (0)	AD12 (0)	AD11 (0)	AD10 (0)	AD9 (0)	AD8 (0)

No.	Registers Name	R/W	RS	D15	D14	D13	D12	D11	D10	D9	D8	D7	D6	D5	D4	D3	D2	D1	D0
IR	Index	W	0	x	x	x	x	x	x	x	x	x	ID6	ID5	ID4	ID3	ID2	ID1	ID0
SR	Status Read	R	0	x	x	x	x	x	x	x	L8	L7	L6	L5	L4	L3	L2	L1	L0
22h	Write Data to GRAM	W	1	WD[17:0]: Pin assignment varies according to the interface method.															
22h	Write Data to GRAM	R	1	RD[17:0]: Pin assignment varies according to the interface method.															
28h	Software Reset	W	1	x	x	x	x	x	x	x	x	1	1	0	0	1	1	1	0
30h	Gate Scan Control	W	1	x	x	x	x	x	x	x	x	x	x	x	SCN4 (0)	SCN3 (0)	SCN2 (0)	SCN1 (0)	SCN0 (0)
31h	Vertical Scroll Control 1	W	1	x	x	x	x	x	x	x	x	SEA7 (1)	SEA6 (1)	SEA5 (0)	SEA4 (1)	SEA3 (1)	SEA2 (0)	SEA1 (1)	SEA0 (1)
32h	Vertical Scroll Control 2	W	1	x	x	x	x	x	x	x	x	SSA7 (0)	SSA6 (0)	SSA5 (0)	SSA4 (0)	SSA3 (0)	SSA2 (0)	SSA1 (0)	SSA0 (0)
33h	Vertical Scroll Control 3	W	1	x	x	x	x	x	x	x	x	SST7 (0)	SST6 (0)	SST5 (0)	SST4 (0)	SST3 (0)	SST2 (0)	SST1 (0)	SST0 (0)
34h	Partial Driving Position -1	W	1	x	x	x	x	x	x	x	x	SE17 (1)	SE16 (1)	SE15 (0)	SE14 (1)	SE13 (1)	SE12 (0)	SE11 (1)	SE10 (1)
35h	Partial Driving Position -2	W	1	x	x	x	x	x	x	x	x	SS17 (0)	SS16 (0)	SS15 (0)	SS14 (0)	SS13 (0)	SS12 (0)	SS11 (0)	SS10 (0)
36h	Horizontal Window Address -1	W	1	x	x	x	x	x	x	x	x	HEA7 (1)	HEA6 (0)	HEA5 (1)	HEA4 (0)	HEA3 (1)	HEA2 (1)	HEA1 (1)	HEA0 (1)
37h	Horizontal Window Address -2	W	1	x	x	x	x	x	x	x	x	HSA7 (0)	HSA6 (0)	HSA5 (0)	HSA4 (0)	HSA3 (0)	HSA2 (0)	HSA1 (0)	HSA0 (0)
38h	Vertical Window Address -1	W	1	x	x	x	x	x	x	x	x	VEA7 (1)	VEA6 (1)	VEA5 (0)	VEA4 (1)	VEA3 (1)	VEA2 (0)	VEA1 (1)	VEA0 (1)
39h	Vertical Window Address -2	W	1	x	x	x	x	x	x	x	x	VSA7 (0)	VSA6 (0)	VSA5 (0)	VSA4 (0)	VSA3 (0)	VSA2 (0)	VSA1 (0)	VSA0 (0)
50h	Gamma Control 1	W	1	x	x	x	x	KP13 (0)	KP12 (0)	KP11 (0)	KP10 (0)	x	x	x	x	KP03 (0)	KP02 (0)	KP01 (0)	KP00 (0)
51h	Gamma Control 2	W	1	x	x	x	x	KP33 (0)	KP32 (0)	KP31 (0)	KP30 (0)	x	x	x	x	KP23 (0)	KP22 (0)	KP21 (0)	KP20 (0)
52h	Gamma Control 3	W	1	x	x	x	x	KP53 (0)	KP52 (0)	KP51 (0)	KP50 (0)	x	x	x	x	KP43 (0)	KP42 (0)	KP41 (0)	KP40 (0)
53h	Gamma Control 4	W	1	x	x	x	x	RP13 (0)	RP12 (0)	RP11 (0)	RP10 (0)	x	x	x	x	RP03 (0)	RP02 (0)	RP01 (0)	RP00 (0)
54h	Gamma Control 5	W	1	x	x	x	x	KN13 (0)	KN12 (0)	KN11 (0)	KN10 (0)	x	x	x	x	KN03 (0)	KN02 (0)	KN01 (0)	KN00 (0)

No.	Registers Name	R/W	RS	D15	D14	D13	D12	D11	D10	D9	D8	D7	D6	D5	D4	D3	D2	D1	D0
IR	Index	W	0	x	x	x	x	x	x	x	x	x	ID6	ID5	ID4	ID3	ID2	ID1	ID0
SR	Status Read	R	0	x	x	x	x	x	x	x	L8	L7	L6	L5	L4	L3	L2	L1	L0
55h	Gamma Control 6	W	1	x	x	x	x	KN33 (0)	KN32 (0)	KN31 (0)	KN30 (0)	x	x	x	x	KN23 (0)	KN22 (0)	KN21 (0)	KN20 (0)
56h	Gamma Control 7	W	1	x	x	x	x	KN53 (0)	KN52 (0)	KN51 (0)	KN50 (0)	x	x	x	x	KN43 (0)	KN42 (0)	KN41 (0)	KN40 (0)
57h	Gamma Control 8	W	1	x	x	x	x	RN13 (0)	RN12 (0)	RN11 (0)	RN10 (0)	x	x	x	x	RN03 (0)	RN02 (0)	RN01 (0)	RN00 (0)
58h	Gamma Control 9	W	1	x	x	x	VRP14 (0)	VRP13 (0)	VRP12 (0)	VRP11 (0)	VRP10 (0)	x	x	x	VRP04 (0)	VRP03 (0)	VRP02 (0)	VRP01 (0)	VRP00 (0)
59h	Gamma Control 10	W	1	x	x	x	VRN14 (0)	VRP13 (0)	VRP12 (0)	VRP11 (0)	VRP10 (0)	x	x	x	VRN04 (0)	VRN03 (0)	VRN02 (0)	VRN01 (0)	VRN00 (0)
80h	MTP Test Key	W	1	x	x	x	x	x	x	x	x	TEST_ KEY7 (1)	TEST_ KEY6 (0)	TEST_ KEY5 (0)	TEST_ KEY4 (0)	TEST_ KEY3 (1)	TEST_ KEY2 (1)	TEST_ KEY1 (0)	TEST_ KEY0 (0)
81h	MTP Control Register	W	1	MTP_ MODE (0)	MTP_ EX_ EX (0)	x	MTP_ SEL_ SEL (1)	x	x	x	MTP_ ERB_ ERB (1)	x	x	x	MTP_ WRB_ WRB (1)	x	x	x	MTP_ LOAD_ LOAD (0)
82h	MTP Data Read	W	1	x	x	x	x	x	x	x	x	x	x	x	MTP_ DIN4 (0)	MTP_ DIN3 (0)	MTP_ DIN2 (0)	MTP_ DIN1 (0)	MTP_ DIN0 (0)
		R	1	x	x	x	x	x	x	x	x	x	x	MTP_ DOUT5	MTP_ DOUT4	MTP_ DOUT3	MTP_ DOUT2	MTP_ DOUT1	MTP_ DOUT0

8.2.1. Index (IR)

R/W	RS	D15	D14	D13	D12	D11	D10	D9	D8	D7	D6	D5	D4	D3	D2	D1	D0
W	0	-	-	-	-	-	-	-	-	-	ID6	ID5	ID4	ID3	ID2	ID1	ID0

The index register specifies the address of register (R00h ~ R4Fh) or RAM which will be accessed.

8.2.2. Status Read (RS)

R/W	RS	D15	D14	D13	D12	D11	D10	D9	D8	D7	D6	D5	D4	D3	D2	D1	D0
R	0	L7	L6	L5	L4	L3	L2	L1	L0	0	0	0	0	0	0	0	0

The SR bits represent the internal status of the ILI9225.

L[7:0] Indicates the position of driving line which is driving the TFT panel currently.

8.2.3. Start Oscillation (R00h)

R/W	RS	D15	D14	D13	D12	D11	D10	D9	D8	D7	D6	D5	D4	D3	D2	D1	D0
W	1	-	-	-	-	-	-	-	-	-	-	-	-	-	-	-	1
R	1	1	0	0	1	0	0	1	0	0	0	1	0	0	1	0	1

Set the OSC bit as '1' to start the internal oscillator and as '0' to stop the oscillator. Wait at least 10ms to let the frequency of oscillator stable and then do the other function setting. The device code "9225" is read out when read this register.

8.2.4. Driver Output Control (R01h)

R/W	RS	D15	D14	D13	D12	D11	D10	D9	D8	D7	D6	D5	D4	D3	D2	D1	D0
W	1	VSPL	HSPL	DPL	EPL	0	SM	GS	SS	0	0	0	NL4	NL3	NL2	NL1	NL0

VSPL: Inverts the polarity of signals from the VSYNC pin.

VSPL = "0" : Low active.

VSPL = "1" : High active.

HSPL: Inverts the polarity of signals from the HSYNC pin.

HSPL = "0" : Low active.

HSPL = "1" : High active.

DPL: Inverts the polarity of signals from the DOTCLK pin.

DPL = "0" : Data are read on the rising edge of the DOTCLK.

DPL = "1" : Data are read on the falling edge of the DOTCLK.

EPL: Set the polarity of the signal from the ENABLE pin in RGB interface mode. .

EPL = "0":

ENABLE = "Low" / Write data to DB[17:0]

ENABLE = "High" / Inhibit data write operation

EPL = "1":

ENABLE = "High" / Write data to DB[17:0]

ENABLE = "Low" / Inhibit data write operation

The following table shows the relationship between the EPL, ENABLE bits, and RAM access.

EPL	ENABLE	RAM write	RAM address
0	0	Enabled	Updated
0	1	Inhibited	Retained
1	0	Inhibited	Retained
1	1	Enabled	Updated

SS: Select the shift direction of outputs from the source driver.

When SS = 0, the shift direction of outputs is from S1 to S528

When SS = 1, the shift direction of outputs is from S528 to S1.

In addition to the shift direction, the settings for both SS and BGR bits are required to change the assignment of R, G, B dots to the source driver pins.

To assign R, G, B dots to the source driver pins interchangeably from S1, set SS = 0, BGR = 0.

To assign R, G, B dots to the source driver pins interchangeably from S528, set SS = 1, BGR = 1.

When changing SS or BGR bits, RAM data must be rewritten.

GS: Select the shift direction of outputs from the gate driver. The scan order is changeable in accordance to the scan mode by the gate driver. Select an optimum shift direction for the assembly.

SM: Set the scan order by the gate driver. Select an optimum scan order for the assembly.

SM	GS	Scan Direction	Gate Output Sequence
0	0		<p>G1, G2, G3, G4, ..., G216 G217, G218, G219, G220</p>
0	1		<p>G220, G219, G218, ..., G6, G5, G4, G3, G2, G1</p>
1	0		<p>G1, G3, G5, G7, ..., G211 G213, G215, G217, G219</p> <p>G2, G4, G6, G8, ..., G212 G214, G216, G218, G220</p>
1	1		<p>G220, G218, G216, ..., G10, G8, G6, G4, G2</p> <p>G219, G217, G215, ..., G9, G7, G5, G3, G1</p>

NL[4:0] Set the active gate driver line to drive the liquid crystal display panel with 8 multiples as the following

table. The GRAM address mapping is independent from the number of gate lines set with the NL[4:0] bits.

NL4	NL3	NL2	NL1	NL0	Display Size	Number of LCD Driver Lines	Gate Driver Used
0	0	0	0	0		Reserved	
0	0	0	0	1	528 * 8 dots	8	G1~G8
0	0	0	1	0	528 * 16 dots	16	G1~G16
0	0	0	1	1	528 * 24 dots	24	G1~G24
0	0	1	0	0	528 * 32 dots	32	G1~G32
0	0	1	0	1	528 * 40 dots	40	G1~G40
0	0	1	1	0	528 * 48 dots	48	G1~G48
0	0	1	1	1	528 * 56 dots	56	G1~G56
0	1	0	0	0	528 * 64 dots	64	G1~G64
0	1	0	0	1	528 * 72 dots	72	G1~G72
0	1	0	1	0	528 * 80 dots	80	G1~G80
0	1	0	1	1	528 * 88 dots	88	G1~G88
0	1	1	0	0	528 * 96 dots	96	G1~G96
0	1	1	0	1	528 * 104 dots	104	G1~G104
0	1	1	1	0	528 * 112 dots	112	G1~G112
0	1	1	1	1	528 * 120 dots	120	G1~G120
1	0	0	0	0	528 * 128 dots	128	G1~G128
1	0	0	0	1	528 * 136 dots	136	G1~G136
1	0	0	1	0	528 * 144 dots	144	G1~G144
1	0	0	1	1	528 * 152 dots	152	G1~G152
1	0	1	0	0	528 * 160 dots	160	G1~G160
1	0	1	0	1	528 * 168 dots	168	G1~G168
1	0	1	1	0	528 * 176 dots	176	G1~G176
1	0	1	1	1	528 * 184 dots	184	G1~G184
1	1	0	0	0	528 * 192 dots	192	G1~G200
1	1	0	0	1	528 * 200 dots	200	G1~G208
1	1	0	1	0	528 * 208 dots	208	G1~G216
1	1	0	1	1	528 * 216 dots	216	G1~G220
1	1	1	0	0	528 * 220 dots	220	G1~G220

8.2.5. LCD Driving Waveform Control (R02h)

R/W	RS	D15	D14	D13	D12	D11	D10	D9	D8	D7	D6	D5	D4	D3	D2	D1	D0
W	1	0	0	0	0	0	0	INV1	INV0	0	0	0	0	0	0	0	FLD

Set LCD inversion method as show below.

Enables or disables 3-field interlaced scanning function like below.

INV[1:0]	FLD	Description
00	0	Frame Inversion – 1 field interlace
	1	3 field interlace
01	0	Line Inversion – 1 field interlace
	1	Setting Disable
10	0	Two Line Inversion – 1 field interlace
	1	Setting Disable
11	0	No Inversion. Active with positive polarity (VCOM = Low)
	1	No Inversion. Active with negative polarity (VCOM = High)

GS = "0"						GS = "1"					
FLD["0"	"1"				FLD	"0"	"1"			
Field	-	1	2	3	4	Field	-	1	2	3	4
Gate						Gate					
G1	*	*			*	G220	*	*			*
G2	*		*			G219	*		*		
G3	*			*		G218	*			*	
G4	*	*			*	G217	*	*			*
G5	*		*			G216	*		*		
G6	*			*		G215	*			*	
G7	*	*			*	G214	*	*			*
G8	*		*			G213	*		*		
G9	*			*		G212	*			*	
G10	*	*			*	G211	*	*			*
	⋮	⋮	⋮	⋮	⋮		⋮	⋮	⋮	⋮	⋮
G217	*	*		*		G4	*	*		*	
G218	*		*		*	G3	*		*		*
G219	*			*		G2	*			*	
G220	*	*			*	G1	*	*			*

Figure22 Interlace Scan of AC Drive

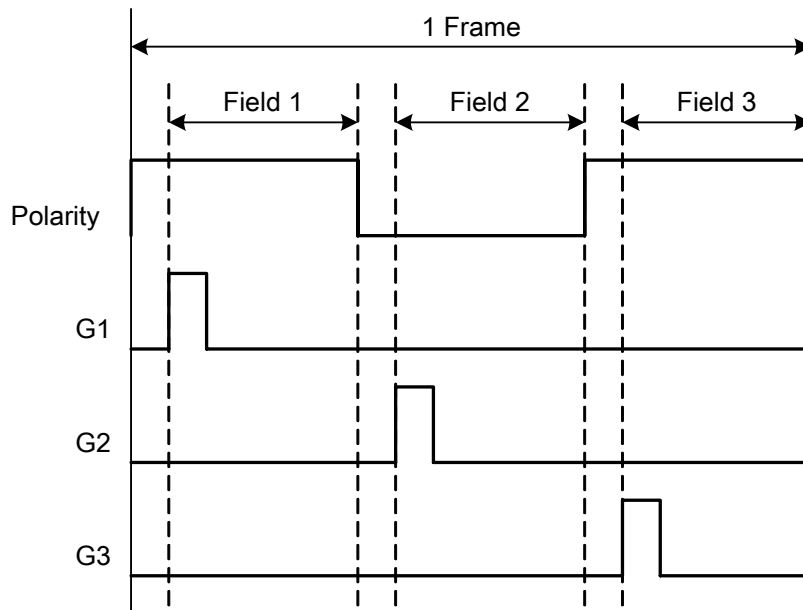


Figure23 Output Timing of Interlace Gate Signals (Three-field is selected)

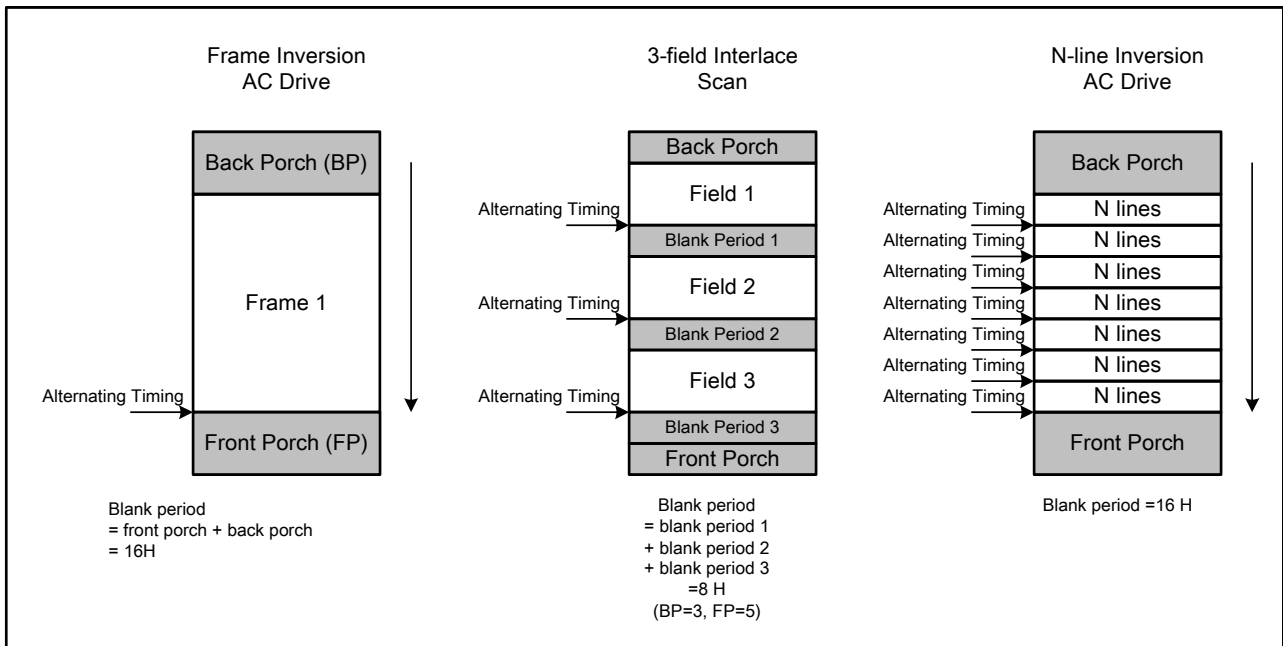


Figure 24 AC Driving Alternating Timing

8.2.6. Entry Mode (R03h)

R/W	RS	D15	D14	D13	D12	D11	D10	D9	D8	D7	D6	D5	D4	D3	D2	D1	D0
W	1	0	0	0	BGR	0	0	MDT1	MDT0	0	0	I/D1	I/D0	AM	0	0	0

AM Control the GRAM update direction. When AM = “0”, the address is updated in horizontal writing direction. When AM = “1”, the address is updated in vertical writing direction. When a window area is set by registers R44h and R45h, only the addressed GRAM area is updated based on I/D[1:0] and AM bits setting.

I/D[1:0] Control the address counter (AC) to automatically increase or decrease by 1 when update one pixel display data. Refer to the following figure for the details.

	I/D[1:0] = 00 Horizontal : decrement Vertical : decrement	I/D[1:0] = 01 Horizontal : increment Vertical : decrement	I/D[1:0] = 10 Horizontal : decrement Vertical : increment	I/D[1:0] = 11 Horizontal : increment Vertical : increment
AM = 0 Horizontal				
AM = 1 Vertical				

Figure25 GRAM Access Direction Setting

AM	I/D[1:0]	Register R21 Start Address
0/1	00	DBAFh
	01	DB00h
	10	00AFh
	11	0000h

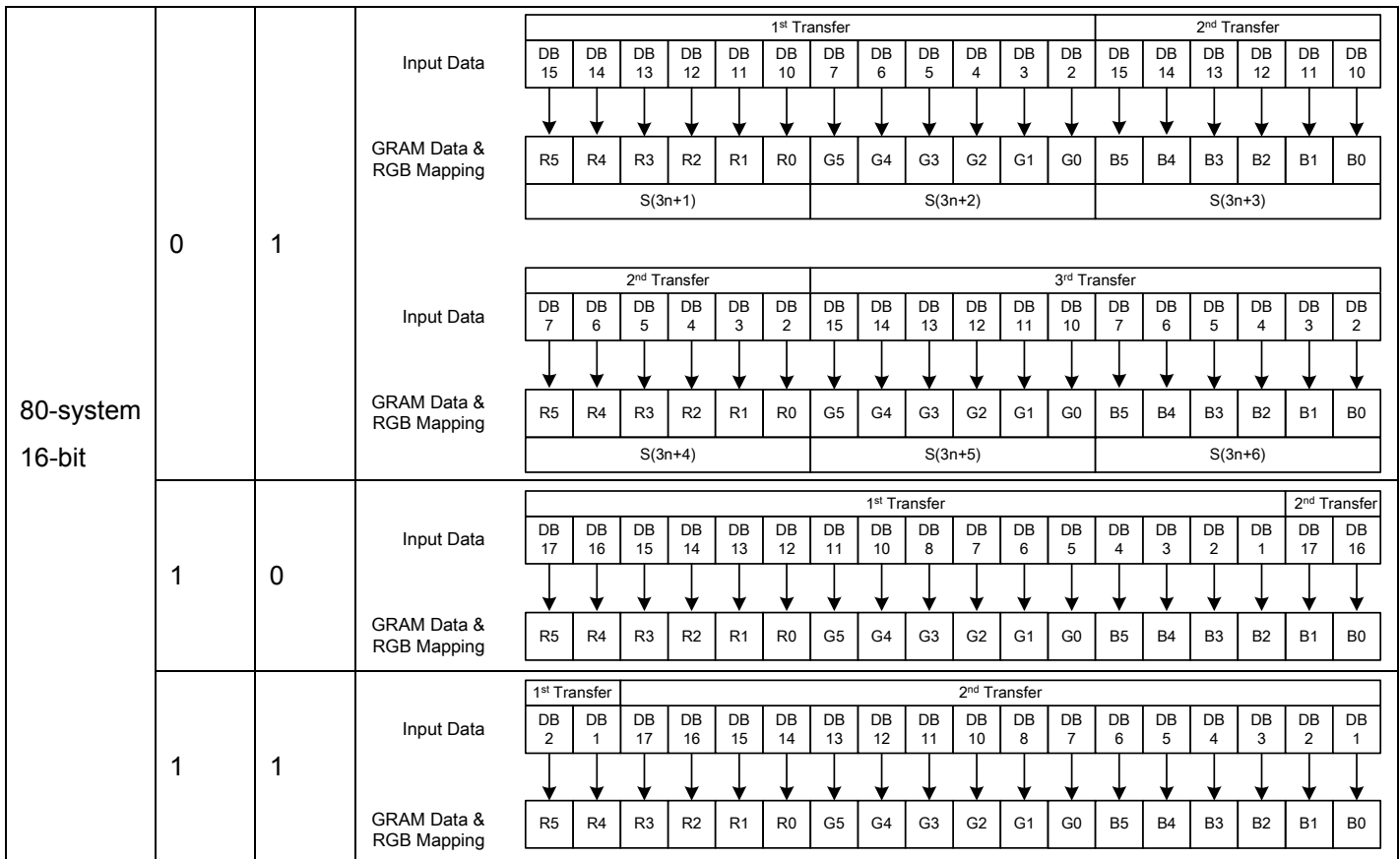
MDT1: This bit is active on the 80-system of 8-bit bus, and the data for 1-pixel is transported to the memory for 3 write cycles. This bit is on the 80-system of 16-bit bus, and the data for 1-pixel is transported to the memory for 2 write cycles. When the 80-system interface mode is not set in the 8-bit or 16-bit mode, set MDT1 bit to be "0".

MDT0: When 8-bit or 16-bit 80 interface mode and MDT1 bit =1, MDT0 defines color depth for the IC.

BGR Swap the R and B order of written data. Note that the order of RGB dots in both WM[17:0] and CP[17:0] registers are automatically changed on BGR= "1". When the BGR=1, the B and R order is swapped.

Interface Mode	MDT1	MDT0	Write data to GRAM																																																			
*	0	0	Default transfer value. Multiple data transfer (MDT[1:0]) function is not available. Data transfer is controlled by interface mode.																																																			
	0	1	Multiple data transfer (MDT[1:0]) function is not available.																																																			
80-system 8-bit	1	0	<div style="display: flex; align-items: center;"> <div style="margin-right: 10px;">Input Data</div> <table border="1" style="font-size: 8px;"> <tr> <th colspan="5">1st Transfer</th> <th colspan="5">2nd Transfer</th> <th colspan="5">3rd Transfer</th> </tr> <tr> <td>DB 17</td><td>DB 16</td><td>DB 15</td><td>DB 14</td><td>DB 13</td><td>DB 12</td> <td>DB 17</td><td>DB 16</td><td>DB 15</td><td>DB 14</td><td>DB 13</td><td>DB 12</td> <td>DB 17</td><td>DB 16</td><td>DB 15</td><td>DB 14</td><td>DB 13</td><td>DB 12</td> </tr> </table> </div> <div style="margin-top: 5px; text-align: center;"> </div> <div style="margin-top: 5px; text-align: center;"> <table border="1" style="font-size: 8px;"> <tr> <td>R5</td><td>R4</td><td>R3</td><td>R2</td><td>R1</td><td>R0</td> <td>G5</td><td>G4</td><td>G3</td><td>G2</td><td>G1</td><td>G0</td> <td>B5</td><td>B4</td><td>B3</td><td>B2</td><td>B1</td><td>B0</td> </tr> </table> </div>	1st Transfer					2nd Transfer					3rd Transfer					DB 17	DB 16	DB 15	DB 14	DB 13	DB 12	DB 17	DB 16	DB 15	DB 14	DB 13	DB 12	DB 17	DB 16	DB 15	DB 14	DB 13	DB 12	R5	R4	R3	R2	R1	R0	G5	G4	G3	G2	G1	G0	B5	B4	B3	B2	B1	B0
	1st Transfer					2nd Transfer					3rd Transfer																																											
DB 17	DB 16	DB 15	DB 14	DB 13	DB 12	DB 17	DB 16	DB 15	DB 14	DB 13	DB 12	DB 17	DB 16	DB 15	DB 14	DB 13	DB 12																																					
R5	R4	R3	R2	R1	R0	G5	G4	G3	G2	G1	G0	B5	B4	B3	B2	B1	B0																																					
1	1	<div style="display: flex; align-items: center;"> <div style="margin-right: 10px;">Input Data</div> <table border="1" style="font-size: 8px;"> <tr> <th colspan="5">1st Transfer</th> <th colspan="5">2nd Transfer</th> <th colspan="5">3rd Transfer</th> </tr> <tr> <td>DB 17</td><td>DB 16</td><td>DB 15</td><td>DB 14</td><td>DB 13</td><td>DB 12</td> <td>DB 17</td><td>DB 16</td><td>DB 15</td><td>DB 14</td><td>DB 13</td><td>DB 12</td> <td>DB 17</td><td>DB 16</td><td>DB 15</td><td>DB 14</td><td>DB 13</td><td>DB 12</td> </tr> </table> </div> <div style="margin-top: 5px; text-align: center;"> </div> <div style="margin-top: 5px; text-align: center;"> <table border="1" style="font-size: 8px;"> <tr> <td>R5</td><td>R4</td><td>R3</td><td>R2</td><td>R1</td><td>R0</td> <td>G5</td><td>G4</td><td>G3</td><td>G2</td><td>G1</td><td>G0</td> <td>B5</td><td>B4</td><td>B3</td><td>B2</td><td>B1</td><td>B0</td> </tr> </table> </div>	1st Transfer					2nd Transfer					3rd Transfer					DB 17	DB 16	DB 15	DB 14	DB 13	DB 12	DB 17	DB 16	DB 15	DB 14	DB 13	DB 12	DB 17	DB 16	DB 15	DB 14	DB 13	DB 12	R5	R4	R3	R2	R1	R0	G5	G4	G3	G2	G1	G0	B5	B4	B3	B2	B1	B0	
1st Transfer					2nd Transfer					3rd Transfer																																												
DB 17	DB 16	DB 15	DB 14	DB 13	DB 12	DB 17	DB 16	DB 15	DB 14	DB 13	DB 12	DB 17	DB 16	DB 15	DB 14	DB 13	DB 12																																					
R5	R4	R3	R2	R1	R0	G5	G4	G3	G2	G1	G0	B5	B4	B3	B2	B1	B0																																					

Interface Mode	MDT1	MDT0	Write data to GRAM



8-bit (80-system), MDT0 = 0: 262k-color mode (3 times of 6-bit data transfer to GRAM)

8-bit (80-system), MDT0 = 1: 65k-color mode (5-bit, 6-bit, 5-bit data transfer to GRAM)

16-bit (80-system), MDT0 = 0: 262k-color mode (16-bit, 2-bit data transfer to GRAM)

16-bit (80-system), MDT1 = 1: 262k-color mode (2-bit, 16-bit data transfer to GRAM)

8.2.7. Display Control 1 (R07h)

R/W	RS	D15	D14	D13	D12	D11	D10	D9	D8	D7	D6	D5	D4	D3	D2	D1	D0
W	1	0	0	0	TEMON	0	0	0	0	0	0	0	GON	CL	REV	D1	D0

D[1:0] Set D[1:0]="11" to turn on the display panel, and D[1:0]="00" to turn off the display panel.

D1	D0	GON	Source Output	Gate Output	VCOM Output	Display
0	0	X	VSS	VGL	VSS	Off
0	1	0	VSS	VGL	VSS	Off
		1	VSS	Operate	VSS	Off
1	0	0	White on Normally WhitePanel Black on Normally Black Panel	VGL	Operate	Off
		1	White on Normally WhitePanel Black on Normally Black Panel	Operate	Operate	Off
1	1	0	Normal Display	VGL	Operate	Off
		1	Normal Display	Operate	Operate	On

Note: data write operation from the microcontroller is performed irrespective of the setting of D[1:0] bits.

GON Set the output level of gate driver G1 ~ G220 as follows

GON	G1 ~G220 Gate Output
-----	----------------------

0	VGL
1	Normal Display

CL When CL = "1", the 8-color display mode is selected. For details, see the "8-color Display Mode" section.

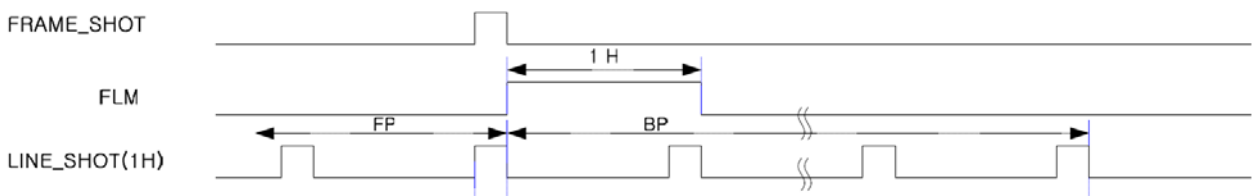
CL	Colors
0	262,144
1	8

REV When REV = "1", the grayscale levels can be inverted. The source output level of front and back porch periods and a blank period in partial display mode is set with the PT[1:0] bits.

REV	GRAM Data	Source Output in Display Area	
		Positive polarity	negative polarity
0	18'h00000	V63	V0
	.	.	.
	.	.	.
	18'h3FFFF	V0	V63
1	18'h00000	V0	V63
	.	.	.
	.	.	.
	18'h3FFFF	V63	V0

TEMON :

TEMON = 1, Enable the Frame flag output signal from the FLM signal line for preventing Tearing Effect.
 TEMON = 0, Disable the Frame flag output signal from the FLM signal line for preventing Tearing Effect.



8.2.8. Display Control 2 (R08h)

R/W	RS	D15	D14	D13	D12	D11	D10	D9	D8	D7	D6	D5	D4	D3	D2	D1	D0
W	1	0	0	0	0	FP3	FP2	FP1	FP0	0	0	0	0	BP3	BP2	BP1	BP0

FP[3:0]/BP[3:0]

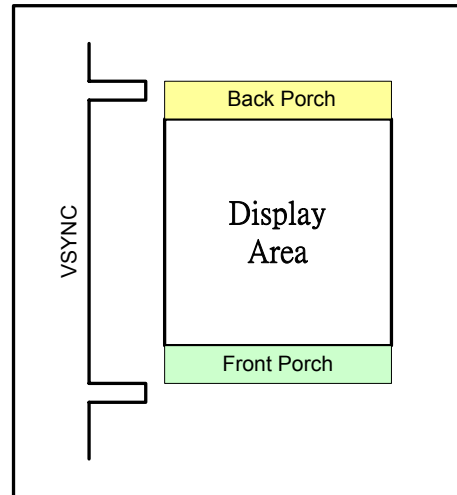
The FP[3:0] and BP[3:0] bits specify the line number of front and back porch periods respectively.

When setting the FP[3:0] and BP[3:0] value, the following conditions shall be met:

- BP + FP ≤ 16 lines
- FP ≥ 2 lines
- BP ≥ 2 lines

FP[3:0] Number of lines for Front Porch

BP[3:0]	Number of lines for Back Porch
0000	Setting Prohibited
0001	Setting Prohibited
0010	2 lines
0011	3 lines
0100	4 lines
0101	5 lines
0110	6 lines
0111	7 lines
1000	8 lines
1001	9 lines
1010	10 lines
1011	11 lines
1100	12 lines
1101	13 lines
1110	14 lines
1111	Setting Prohibited



Note: The output timing to the LCD is delayed by 2 lines period from the input of synchronizing signal.

Set the BP[3:0] and FP[3:0] bits as below for each operation mode

Operation Mode	Number of Interface Scan Field	BP	FP	BP+FP
I80/M68	FLD[1:0] = "01"	BP ≥ 2 lines	FP ≥ 2 lines	FP +BP ≤ 16 lines
System Interface	FLD[1:0] = "11"	BP = 3 lines	FP = 5 lines	-
RGB interface		BP ≥ 2 lines	FP ≥ 2 lines	FP +BP ≤ 16 lines

8.2.9. Frame Cycle Control (R0Bh)

R/W	RS	D15	D14	D13	D12	D11	D10	D9	D8	D7	D6	D5	D4	D3	D2	D1	D0
W	1	NO3	NO2	NO1	NO0	SDT3	SDT2	SDT1	SDT0	0	0	0	0	RTN3	RTN2	RTN1	RTN0

RTN[3:0] Set the clock cycle number of one display line.

RTN[3:0]	Clock Cycles per line
4'h0	16 clocks
4'h1	17 clocks
4'h2	18 clocks
4'h3	19 clocks
4'h4	20 clocks
4'h5	21 clocks
4'h6	22 clocks
4'h7	23 clocks
4'h8	24 clocks
4'h9	25 clocks
4'hA	26 clocks
4'hB	27 clocks
4'hC	28 clocks
4'hD	29 clocks
4'hE	30 clocks
4'hF	31 clocks

NO[3:0]: Set amount of non-overlay for the gate output.

Gate output delay period			
NO[3:0]	System Interface Mode	18/16-bit RGB Interface Mode	6-bit RGB Interface Mode

4'h0	Setting disable	Setting disable	Setting disable
4'h1	1 clock	8 clocks	8*3 clocks
4'h2	2 clocks	16 clocks	16*3 clocks
4'h3	3 clocks	24 clocks	24*3 clocks
4'h4	4 clocks	32 clocks	32*3 clocks
4'h5	5 clocks	40 clocks	40*3 clocks
4'h6	6 clocks	48 clocks	48*3 clocks
4'h7	7 clocks	56 clocks	56*3 clocks
4'h8	8 clocks	64 clocks	64*3 clocks
4'h9	9 clocks	72 clocks	72*3 clocks
4'hA	10 clocks	80 clocks	80*3 clocks
4'hB	Setting disable	88 clocks	88*3 clocks
4'hC	Setting disable	96 clocks	96*3 clocks
4'hD	Setting disable	104 clocks	104*3 clocks
4'hE	Setting disable	112 clocks	112*3 clocks
4'hF	Setting disable	120 clocks	120*3 clocks

SDT[3:0]: Set delay amount from gate edge (end) to source output.

Source output delay period			
SDT[3:0]	System Interface Mode	18/16-bit RGB Interface Mode	6-bit RGB Interface Mode
4'h0	Setting disable	Setting disable	Setting disable
4'h1	1 clock	8 clocks	8*3 clocks
4'h2	2 clocks	16 clocks	16*3 clocks
4'h3	3 clocks	24 clocks	24*3 clocks
4'h4	4 clocks	32 clocks	32*3 clocks
4'h5	5 clocks	40 clocks	40*3 clocks
4'h6	6 clocks	48 clocks	48*3 clocks
4'h7	7 clocks	56 clocks	56*3 clocks
4'h8	8 clocks	64 clocks	64*3 clocks
4'h9	9 clocks	72 clocks	72*3 clocks
4'hA	10 clocks	80 clocks	80*3 clocks
4'hB	Setting disable	88 clocks	88*3 clocks
4'hC	Setting disable	96 clocks	96*3 clocks
4'hD	Setting disable	104 clocks	104*3 clocks
4'hE	Setting disable	112 clocks	112*3 clocks
4'hF	Setting disable	120 clocks	120*3 clocks

8.2.10. RGB Input Interface Control 1 (R0Ch)

R/W	RS	D15	D14	D13	D12	D11	D10	D9	D8	D7	D6	D5	D4	D3	D2	D1	D0
W	1	0	0	0	0	0	0	0	RM	0	0	0	DM	0	0	RIM1	RIM0

RIM[1:0] Select the data bus width of RGB interface modes.

RIM1	RIM0	RGB Interface Mode
0	0	18-bit RGB interface (one transfer/pixel)
0	1	16-bit RGB interface (one transfer/pixel)
1	0	6-bit RGB interface (three transfers/pixel)
1	1	Setting disabled

Note1: Registers are set only by the system interface.

Note2: Be sure that one pixel (3 dots) data transfer finished when interface switch.

DM Select the display operation mode.

DM	Display Interface
0	Internal system clock
1	RGB interface

RM Select the interface to access the GRAM.

RM	Interface for RAM Access
0	Internal system clock interface
1	RGB interface (when writing display data by the RGB interface.)

Display State	Operation Mode	RAM Access (RM)	Display Operation Mode (DM)]
Still pictures	Internal clock operation	System interface (RM = 0)	Internal clock operation (DM = 0)
Moving pictures	RGB interface (1)	RGB interface (RM = 1)	RGB interface (DM = 1)
Rewrite still picture area while Displaying moving pictures.	RGB interface (2)	System interface (RM = 0)	RGB interface (DM = 1)

Note 1) Registers are set only via the system interface or SPI interface.

Note 2) Refer to the flowcharts of "RGB Input Interface" section for the mode switch.

8.2.11. Oscillator Control (R0Fh)

R/W	RS	D15	D14	D13	D12	D11	D10	D9	D8	D7	D6	D5	D4	D3	D2	D1	D0
W	1	0	0	0	0	FOSC[3]	FOSC[2]	FOSC[1]	FOSC[0]	0	0	0	0	0	0	0	OSC_EN

FOSC[3:0]: Select the oscillation frequency of internal oscillator

FR_SEL[3:0]	OSC. Frequency
0000	125KHz
0001	153.8KHz
0010	173.9KHz
0011	190.4KHz
0100	210.5KHz
0101	235.2KHz
0110	250.0KHz
0111	266.6KHz (default)
1000	285.7KHz
1001	307.6KHz
1010	333.3KHz
1011	363.6KHz
1100	400.0KHz
1101	444.4KHz
1110	500.0KHz
1111	571.4KHz

OSC_EN

This instruction starts the oscillator from the Halt State in the standby mode. After this instruction, Wait at least 10 ms for oscillation to stabilize before giving the next instruction.

OSC_EN	OSC Control
0	OSC. Off
1	OSC. On

8.2.12. Power Control 1 (R10h)

R/W	RS	D15	D14	D13	D12	D11	D10	D9	D8	D7	D6	D5	D4	D3	D2	D1	D0
W	1	0	0	0	0	SAP3	SAP2	SAP1	SAP0	0	0	0	0	0	0	DSTB	STB

SAP[3:0] Set the driving capability of source driver.

Set a larger driving capability to obtain better display quality, but the power consumption also increases.

SAP[3:0]	Source Amp. Current Level
4'h0	Stop
4'h1	Slow 1 (Slowest)
4'h2	Slow 2
4'h3	Slow 3
4'h4	Medium Slow 1
4'h5	Medium Slow 2
4'h6	Medium Slow 3
4'h7	Medium Slow 4
4'h8	Medium Fast 1
4'h9	Medium Fast 2
4'hA	Medium Fast 3
4'hB	Medium Fast 4
4'hC	Fast 1
4'hD	Fast 2
4'hE	Fast 3
4'hF	Fast 4 (Fastest)

DSTB: When DSTB = 1, the ILI9225 enters the deep standby mode, where the power supply for the internal logic is turned off to save more power than the standby mode. Writing the GRAM data or setting any instructions are prohibited during the deep-standby mode and they must be reset after releasing from the deep standby mode.

STB: When STB = 1, the ILI9225 enters the sleep mode, where display operation completely stops, halting all the internal operations including the internal R-C oscillator. Further, no external clock pulses are supplied.

Outputs	Conditions
VCOM	VSS
Gate	VSS
Source	VSS

8.2.13. Power Control 2 (R11h)

R/W	RS	D15	D14	D13	D12	D11	D10	D9	D8	D7	D6	D5	D4	D3	D2	D1	D0
W	1	0	0	0	APON	PON3	PON2	PON1	PON	0	0	AON	VCI1EN	VC3	VC2	VC1	VC0

APON: This is an automatic-boosting-operation-starting bit for the booster circuits. In case of APON=0, the auto booster sequence circuit is stopped, but the booster circuits are independently operated by PON, PON1, PON2 and PON3 bits. In case of APON=1, booster circuits are automatically and sequentially operated.

PON3: This is an operation-starting bit for the booster circuit 3(VCL). In case of PON3 = 0, the circuit is stopped and vice versa.

PON2: This is an operation-starting bit for the booster circuit 2(VGL). In case of PON2 = 0, the circuit is stopped and vice versa.

PON1: This is an operation-starting bit for the booster circuit 2(VGH). In case of PON1 = 0, the circuit is stopped and vice versa.

PON: This is an operation-starting bit for the booster circuit1. In case of PON = 0, the circuit is stopped and vice versa.

AON: This is an operation-starting bit for the Amplifier. In case of AON = 0, the circuit is stopped and vice versa.

VCI1_EN: Internal VCI1 generation amplifier operation control bit. When VCI1_EN=0, VCI1 voltage is not generated.

VC[3:0]: Set the VCI1 voltage. These bits set the VCI1 voltage up to 3V as the nominal output (upper limit value may depend on VCI voltage)

VC[3:0]	VCI1
4'h0	1.35
4'h1	1.75
4'h2	2.07
4'h3	2.16
4'h4	2.25
4'h5	2.34
4'h6	2.43
4'h7	2.52
4'h8	2.58
4'h9	2.64
4'hA	2.70
4'hB	2.76
4'hC	2.82
4'hD	2.88
4'hE	2.94
4'hF	3.00

NOTE: Do not set any higher VCI1 level than VCI.

8.2.14. Power Control 3 (R12h)

R/W	RS	D15	D14	D13	D12	D11	D10	D9	D8	D7	D6	D5	D4	D3	D2	D1	D0
W	1	0	BT2	BT1	BT0	0	DC12	DC11	DC10	0	DC22	DC21	DC20	0	DC32	DC31	DC30

BT[2:0] The output factor of step-up circuit is selected. Adjust scale factor of the step-up circuit by the voltage used. Lower amplification of the step-up circuit consumes less current.

BT2	BT1	BT0	Circuit1 DDVDH	Circuit4 VCL	Circuit2 VGH	Circuit3 VGL
0	0	0	2 x VCI1	-1 x VCI1	4 x VCI1	-3 x VCI1
0	0	1	2 x VCI1	-1 x VCI1	4 x VCI1	-4 x VCI1
0	1	0	2 x VCI1	-1 x VCI1	5 x VCI1	-3 x VCI1
0	1	1	2 x VCI1	-1 x VCI1	5 x VCI1	-4 x VCI1
1	0	0	2 x VCI1	-1 x VCI1	5 x VCI1	-5 x VCI1
1	0	1	2 x VCI1	-1 x VCI1	6 x VCI1	-3 x VCI1
1	1	0	2 x VCI1	-1 x VCI1	6 x VCI1	-4 x VCI1
1	1	1	2 x VCI1	-1 x VCI1	6 x VCI1	-5 x VCI1

Note: The conditions of $DDVDH \leq 5.5V$ and $VGH \leq 16.5V$ must be satisfied.

DC1[1:0]: The operating frequency in the step-up circuit1 is selected. When the step-up operating frequency is high, the driving ability of the step-up circuit and the display quality become high, but the current consumption is increased. Adjust the frequency considering the display quality and the current consumption.

DC1[2:0]	Internal Operation (synchronized with internal clock)	RGB I/F Operation (synchronized with DOTCLK)
	$f(CL1) : f(DCCLK1)$	$f(DCCLK) : f(DCCLK1)$
3'h0	1:4	1:1
3'h1	1:2	1:2
3'h2	1:1	1:4
3'h3	1:1/2	1:8
3'h4	1:1/4	1:16
3'h5	1:1/8	1:32
3'h6	1:1/16	1:64
3'h7	Halt	Halt

[NOTE] DCCLK1 is pumping clock for step-up circuit1, $f(1H)$ is horizontal frequency (1 raster-row)

DC2[1:0]: The operating frequency in the step-up circuit 2 is selected.

DC2[2:0]	Internal Operation (synchronized with internal clock)	RGB I/F Operation (synchronized with DOTCLK)
	$f(CL1) : f(DCCLK2)$	$f(DCCLK) : f(DCCLK2)$
3'h0	1:2	1:4
3'h1	1:1	1:8
3'h2	1:1/2	1:16
3'h3	1:1/4	1:32
3'h4	1:1/8	1:64
3'h5	1:1/16	1:128

3'h6	1:1/32	1:256
3'h7	Halt	Halt

[NOTE] DCCLK2 is pumping clock for step-up circuit1,

DC3[1:0]: The operating frequency in the step-up circuit 3 is selected.

DC3[2:0]	Internal Operation (synchronized with internal clock)	RGB I/F Operation (synchronized with DOTCLK)
	f(CL1) : f(DCCLK3)	f(DCCLK):f(DCCLK3)
3'h0	1:4	1:4
3'h1	1:2	1:8
3'h2	1:1	1:16
3'h3	1:1/2	1:32
3'h4	1:1/4	1:64
3'h5	1:1/8	1:128
3'h6	1:1/16	1:256
3'h7	Halt	Halt

[NOTE] DCCLK3 is pumping clock for step-up circuit3,

8.2.15. Power Control 4 (R13h)

R/W	RS	D15	D14	D13	D12	D11	D10	D9	D8	D7	D6	D5	D4	D3	D2	D1	D0
W	1	0	0	0	0	0	0	0	0	0	GVDD6	GVDD5	GVDD4	GVDD3	GVDD2	GVDD1	GVDD0

GVDD[6:0]: Set the amplifying factor of the GVDD voltage (the voltage for the Gamma voltage). It allows ranging from 2.66V to 5.5V.

GVDD[6:0]	GVDD	GVDD[6:0]	GVDD	GVDD[6:0]	GVDD	GVDD[6:0]	GVDD
0000000	5.05V	0100000	3.10V	1000000	3.74V	1100000	4.38V
0000001	5.10V	0100001	3.12V	1000001	3.76V	1100001	4.40V
0000010	5.15V	0100010	3.14V	1000010	3.78V	1100010	4.42V
0000011	5.20V	0100011	3.16V	1000011	3.80V	1100011	4.44V
0000100	5.25V	0100100	3.18V	1000100	3.82V	1100100	4.46V
0000101	5.30V	0100101	3.20V	1000101	3.84V	1100101	4.48V
0000110	5.35V	0100110	3.22V	1000110	3.86V	1100110	4.50V
0000111	5.40V	0100111	3.24V	1000111	3.88V	1100111	4.52V
0001000	5.45V	0101000	3.26V	1001000	3.90V	1101000	4.54V
0001001	5.50V	0101001	3.28V	1001001	3.92V	1101001	4.56V
0001010	2.66V	0101010	3.30V	1001010	3.94V	1101010	4.58V
0001011	2.68V	0101011	3.32V	1001011	3.96V	1101011	4.60V
0001100	2.70V	0101100	3.34V	1001100	3.98V	1101100	4.62V
0001101	2.72V	0101101	3.36V	1001101	4.00V	1101101	4.64V
0001110	2.74V	0101110	3.38V	1001110	4.02V	1101110	4.66V
0001111	2.76V	0101111	3.40V	1001111	4.04V	1101111	4.68V
0010000	2.78V	0110000	3.42V	1010000	4.06V	1110000	4.70V
0010001	2.80V	0110001	3.44V	1010001	4.08V	1110001	4.72V
0010010	2.82V	0110010	3.46V	1010010	4.10V	1110010	4.74V
0010011	2.84V	0110011	3.48V	1010011	4.12V	1110011	4.76V
0010100	2.86V	0110100	3.50V	1010100	4.14V	1110100	4.78V
0010101	2.88V	0110101	3.52V	1010101	4.16V	1110101	4.80V
0010110	2.90V	0110110	3.54V	1010110	4.18V	1110110	4.82V
0010111	2.92V	0110111	3.56V	1010111	4.20V	1110111	4.84V
0011000	2.94V	0111000	3.58V	1011000	4.22V	1111000	4.86V
0011001	2.96V	0111001	3.60V	1011001	4.24V	1111001	4.88V
0011010	2.98V	0111010	3.62V	1011010	4.26V	1111010	4.90V
0011011	3.00V	0111011	3.64V	1011011	4.28V	1111011	4.92V
0011100	3.02V	0111100	3.66V	1011100	4.30V	1111100	4.94V
0011101	3.04V	0111101	3.68V	1011101	4.32V	1111101	4.96V
0011110	3.06V	0111110	3.70V	1011110	4.34V	1111110	4.98V
0011111	3.08V	0111111	3.72V	1011111	4.36V	1111111	5.00V

8.2.16. Power Control 5 (R14h)

R/W	RS	D15	D14	D13	D12	D11	D10	D9	D8	D7	D6	D5	D4	D3	D2	D1	D0
W	1	VCOMG	VCM6	VCM5	VCM4	VCM3	VCM2	VCM1	VCM0	0	VML6	VML5	VML4	VML3	VML2	VML1	VML0

VCOMG: When VCOMG = 1, low level of VCOM signal is to be fixed at AVSS. Therefore, the amplitude of VCOM signal is determined as |VCOMH – AVSS| regardless of VML setting. In this case, VCOML pin can be open or connected to GND, because VCOML amp is off and VCOML output is floated.

When VCOMG=0, the amplitude of VCOM signal is determined as $|VCOMH - VCOML|$.

VCM[6:0]: Set the VCOMH voltage (a high level voltage at the Vcom alternating drive), these bits amplify the VcomH voltage from 0.4015 to 1.1000 times the GVDD voltage.

VCM[6:0]	VCOMH Voltage
7'h00	GVDD x 0.4015
7'h01	GVDD x 0.4070
7'h02	GVDD x 0.4125
7'h03	GVDD x 0.4180
.	.
7'h7A	GVDD x 1.0725
7'h7B	GVDD x 1.0780
7'h7C	GVDD x 1.0835
7'h7D	GVDD x 1.0890
7'h7E	GVDD x 1.0945
7'h7F	GVDD x 1.100

[NOTE]

1. $VcomH = GVDD \times (0.4015 + 0.0055 \times VCM)$
2. When using VCI recycling function, VCOMH voltage should be higher than VCI.
3. VCM6-0 register set is invalid when MTP_SEL=1.

VML[6:0]: Set the alternating amplitudes of VCOM at the VCOM alternating drive. These bits amplify VCOM from 0.534 to 1.20 times the GVDD voltage. When the VCOM alternation is not driven, the settings become invalid.

VML[6:0]	VCOMH Voltage
7'h00~7'0F	Setting prohibited
7'h10	GVDD x 0.534
7'h11	GVDD x 0.540
7'h12	GVDD x 0.546
.	.
7'h7A	GVDD x 1.170
7'h7B	GVDD x 1.176
7'h7C	GVDD x 1.182
7'h7D	GVDD x 1.188
7'h7E	GVDD x 1.194
7'h7F	GVDD x 1.200

[NOTE]

1. $VCOM\ amplitude = GVDD \times (0.534 + 0.006(VML-16))$
2. Adjust the settings between GVDD and VML[6:0] so that the Vcom amplitudes are lower than 6.0 V.
3. VcomL voltage should be satisfied the following condition. : $0.0V > VcomL > 0.0VCL+0.5V$

8.2.17. VCI Recycling (R15h)

R/W	RS	D15	D14	D13	D12	D11	D10	D9	D8	D7	D6	D5	D4	D3	D2	D1	D0
W	1	0	0	0	0	0	0	0	0	0	VCIR2	VCIR1	VCIR0	0	0	0	0

VCIR[2:0]: VCI recycling period is sustained for the number of clock cycle which is set on VCIR[2:0].

VCIR[2]	VCIR[1]	VCIR[0]	Amount of non-overlap	
			VCI recycling period (Synchronized with OSC clock)	RGB I/F operation (Synchronized with PCLK clock)
0	0	0	0 clocks	-
0	0	1	1 clocks	16 clocks
0	1	0	2 clocks	32 clocks
0	1	1	3 clocks	48 clocks
1	0	0	4 clocks	64 clocks
1	0	1	5 clocks	80 clocks
1	1	0	6 clocks	96 clocks
1	1	1	7 clocks	112 clocks

8.2.18. RAM Address Set (R20h, R21h)

R/W	RS	D15	D14	D13	D12	D11	D10	D9	D8	D7	D6	D5	D4	D3	D2	D1	D0
W	1	X	X	X	X	X	X	X	X	AD7	AD6	AD5	AD4	AD3	AD2	AD1	AD0
W	1	X	X	X	X	X	X	X	X	AD15	AD14	AD13	AD12	AD11	AD10	AD9	AD8

AD[15:0] Set the initial value of address counter (AC).

The address counter (AC) is automatically updated in accordance to the setting of the AM, I/D bits as data is written to the internal GRAM. The address counter is not automatically updated when read data from the internal GRAM.

Note1: GRAM address setting is not allowed in standby mode. Ensure that the address is set within the specified window area specified with VSA, VEA, HAS and HEA.

Note2: When the RGB interface is selected (RM = "1"), the address AD[15:0] is set to the address counter every frame on the falling edge of VSYNC.

Note3: When the internal clock operation or the VSYNC interface mode is selected (RM = "0"), the address AD[15:0] is set upon the execution of an instruction.

GRAM Address Range

AD[15:0]	Gram setting
"0000H" to "00AF"H	Bitmap data for G1
"0100H" to "01AF"H	Bitmap data for G2
"0200H" to "02AF"H	Bitmap data for G3
"0300H" to "03AF"H	Bitmap data for G4
⋮	⋮
⋮	⋮
⋮	⋮
"0800H" to "D8AF"H	Bitmap data for G217
"0900H" to "D9AF"H	Bitmap data for G218
"0A00H" to "DAAF"H	Bitmap data for G219
"0B00H" to "DBAF"H	Bitmap data for G220

8.2.19. Write Data to GRAM (R22h)

R/W	RS	D17	D16	D15	D14	D13	D12	D11	D10	D9	D8	D7	D6	D5	D4	D3	D2	D1	D0
-----	----	-----	-----	-----	-----	-----	-----	-----	-----	----	----	----	----	----	----	----	----	----	----

W	1	RAM write data (WD[17:0], the DB[17:0] pin assignment differs for each interface).
---	---	--

This register is the GRAM access port. When update the display data through this register, the address counter (AC) is increased/decreased automatically.

8.2.20. Read Data from GRAM (R22h)

R/W	RS	D17	D16	D15	D14	D13	D12	D11	D10	D9	D8	D7	D6	D5	D4	D3	D2	D1	D0
R	1	RAM Read Data (RD[17:0], the DB[17:0] pin assignment differs for each interface).																	

RD[17:0] Read 18-bit data from GRAM through the read data register (RDR).

8.2.21. Software Reset (R28h)

R/W	RS	D15	D14	D13	D12	D11	D10	D9	D8	D7	D6	D5	D4	D3	D2	D1	D0
W	1	0	0	0	0	0	0	0	1	1	0	0	0	1	1	1	0

When Software Reset parameter is 00CEh, It cause a software reset. This register automatically set to Zero after a Software Reset.

8.2.22. Gate Scan Control (R30h)

R/W	RS	D15	D14	D13	D12	D11	D10	D9	D8	D7	D6	D5	D4	D3	D2	D1	D0
W	1	0	0	0	0	0	0	0	0	0	0	SCN4	SCN3	SCN2	SCN1	SCN0	

SCN[4:0] The ILI9225 allows specifying the gate line from which the gate driver starts scan by setting the SCN[4:0] bits.

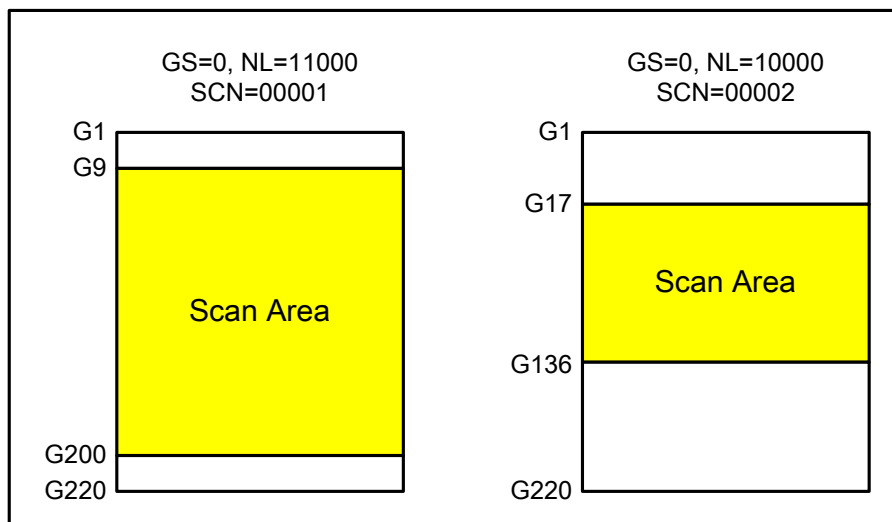


Figure26 Scanning Start Position for Gate Driver

Note: Don't set NL[4:0], SCN[4:0] over the end position of gate line (G220)

Note: Set NL[4:0] and SCN[4:0] to let the number for the end position of the gate line scans will not exceed 220.

SCN4	SCN3	SCN2	SCN1	SCN0	Scanning Start Position			
					SM=0 GS=0	SM=0 GS=1	SM=1 GS=0	SM=1 GS=1
0	0	0	0	0	G1	G220	G1	G220

0	0	0	0	1	G9	G212	G17	G204
0	0	0	1	0	G17	G204	G33	G188
0	0	0	1	1	G25	G196	G49	G172
0	0	1	0	0	G33	G188	G65	G156
0	0	1	0	1	G41	G180	G81	G140
0	0	1	1	0	G49	G172	G97	G124
0	0	1	1	1	G57	G164	G113	G108
0	1	0	0	0	G65	G156	G129	G92
0	1	0	0	1	G73	G148	G145	G76
0	1	0	1	0	G81	G140	G161	G60
0	1	0	1	1	G89	G132	G177	G44
0	1	1	0	0	G97	G124	G193	G28
0	1	1	0	1	G105	G116	G209	G12
0	1	1	1	0	G113	G108	G2	G219
0	1	1	1	1	G121	G100	G18	G203
1	0	0	0	0	G129	G92	G34	G187
1	0	0	0	1	G137	G84	G50	G171
1	0	0	1	0	G145	G76	G66	G155
1	0	0	1	1	G153	G68	G82	G139
1	0	1	0	0	G161	G60	G98	G123
1	0	1	0	1	G169	G52	G114	G107
1	0	1	1	0	G177	G44	G130	G91
1	0	1	1	1	G185	G36	G146	G75
1	1	0	0	0	G193	G28	G162	G59
1	1	0	0	1	G201	G20	G178	G43
1	1	0	1	0	G209	G12	G194	G27
1	1	0	1	1	G217	G4	G210	G11

8.2.23. Vertical Scroll Control 1 (R31h, R32h)

R/W	RS	D15	D14	D13	D12	D11	D10	D9	D8	D7	D6	D5	D4	D3	D2	D1	D0
W	1	0	0	0	0	0	0	0	0	SEA7	SEA6	SEA5	SEA4	SEA3	SEA2	SEA1	SEA0
W	1	0	0	0	0	0	0	0	0	SSA7	SSA6	SSA5	SSA4	SSA3	SSA2	SSA1	SSA0

SSA[7:0]: Specify scroll start address at the scroll display for vertical smooth scrolling.

SSA7	SSA 6	SSA 5	SSA 4	SSA 3	SSA 2	SSA 1	SSA 0	Scroll Start Lines
0	0	0	0	0	0	0	0	0 line
0	0	0	0	0	0	0	1	1 line
0	0	0	0	0	0	1	0	2 lines
.
.
.
1	1	0	1	1	0	1	0	218 lines
1	1	0	1	1	0	1	1	219 lines

SEA[7:0]: Specify scroll end address at the scroll display for vertical smooth scrolling.

SEA7	SEA 6	SEA 5	SEA 4	SEA 3	SEA 2	SEA 1	SEA 0	Scroll End Lines
0	0	0	0	0	0	0	0	0 line
0	0	0	0	0	0	0	1	1 line
0	0	0	0	0	0	1	0	2 lines
.

.
1	1	0	1	1	0	1	0	218 lines
1	1	0	1	1	0	1	1	219 lines

NOTE]

Do not set any higher raster-row than 219 (“DB”H).

Set SS17-10 ≤ SSA7-0, if set out of range, SSA7-0 = SS17-10.

Set SE17-10 ≥ SEA7-0, if set out of range, SEA7-0 = SE17-10

8.2.24. Vertical Scroll Control 1 (R33h)

R/W	RS	D15	D14	D13	D12	D11	D10	D9	D8	D7	D6	D5	D4	D3	D2	D1	D0
W	1	0	0	0	0	0	0	0	0	SST7	SST6	SST5	SST4	SST3	SST2	SST1	SST0

SST8-0: Specify scroll start and step at the scroll display for vertical smooth scrolling. Any line from the 1st to 220th can be scrolled for the number of the raster-row. After 219th line is displayed, the display restarts from the first raster-row. When SST7-0 = 00000000, Vertical Scroll Function is disabled.

SST7	SST6	SST5	SST4	SST3	SST2	SST1	SST0	Scrolling Lines
0	0	0	0	0	0	0	0	0 line
0	0	0	0	0	0	0	1	1 line
0	0	0	0	0	0	1	0	2 lines
.
.
.
1	1	0	1	1	0	1	0	218 lines
1	1	0	1	1	0	1	1	219 lines

[NOTE]

Do not set any higher raster-row than 219 (“DB”H)

Set SS17-10 < SSA7-0 + SST7-0 ≤ SEA7-0 ≤ SE17-10, if set out of range, Scroll function is disabled

8.2.25. Partial Screen Driving Position (R34h, R35h)

R/W	RS	D15	D14	D13	D12	D11	D10	D9	D8	D7	D6	D5	D4	D3	D2	D1	D0
W	1	0	0	0	0	0	0	0	0	SE17	SE16	SE15	SE14	SE13	SE12	SE11	SE10
W	1	0	0	0	0	0	0	0	0	SS17	SS16	SS15	SS14	SS13	SS12	SS11	SS10

SE1[7:0]: Specify the driving end position for the screen in a line unit. The LCD driving is performed to the ‘set value + 1’ gate driver. For example, when SS1[7:0] = 019h and SE1[7:0] = 029h are set, the LCD driving is performed from G26 to G42, and non-display driving is performed for G1 to G25, G43, and others. Ensure that SS1[7:0] ≤ SE1[7:0] ≤ DBh.

SS1[7:0]: Specify the drive starting position for the first screen in a line unit. The LCD driving starts from the ‘set value +1’ gate driver.

Note: Do not set the partial setting when the operation is in the normal display condition. Set this register only

when in the partial display condition.

Ex) SS1[7:0]=07h and SE1[7:0]=10h are performed from G8 to G17.

8.2.26. Horizontal and Vertical RAM Address Position (R36h/R37h, R38h/R39h)

R/W	RS	D15	D14	D13	D12	D11	D10	D9	D8	D7	D6	D5	D4	D3	D2	D1	D0
W	1	0	0	0	0	0	0	0	0	HEA7	HEA6	HEA5	HEA4	HEA3	HEA2	HEA1	HEA0
W	1	0	0	0	0	0	0	0	0	HSA7	HSA6	HSA5	HSA4	HSA3	HSA2	HSA1	HSA0
W	1	0	0	0	0	0	0	0	0	VEA7	VEA6	VEA5	VEA4	VEA3	VEA2	VEA1	VEA0
W	1	0	0	0	0	0	0	0	0	VSA7	VSA6	VSA5	VSA4	VSA3	VSA2	VSA1	VSA0

HSA[7:0]/HEA[7:0] HSA[7:0] and HEA[7:0] represent the respective addresses at the start and end of the window address area in horizontal direction. By setting HSA and HEA bits, it is possible to limit the area on the GRAM horizontally for writing data. The HSA and HEA bits must be set before starting RAM write operation. In setting these bits, be sure “00”h ≤ HSA[7:0] < HEA[7:0] ≤ “AF”h.

VSA[7:0]/VEA[7:0] VSA[7:0] and VEA[7:0] represent the respective addresses at the start and end of the window address area in vertical direction. By setting VSA and VEA bits, it is possible to limit the area on the GRAM vertically for writing data. The VSA and VEA bits must be set before starting RAM write operation. In setting, be sure “00”h ≤ VSA[7:0] < VEA[7:0] ≤ “DB”h.

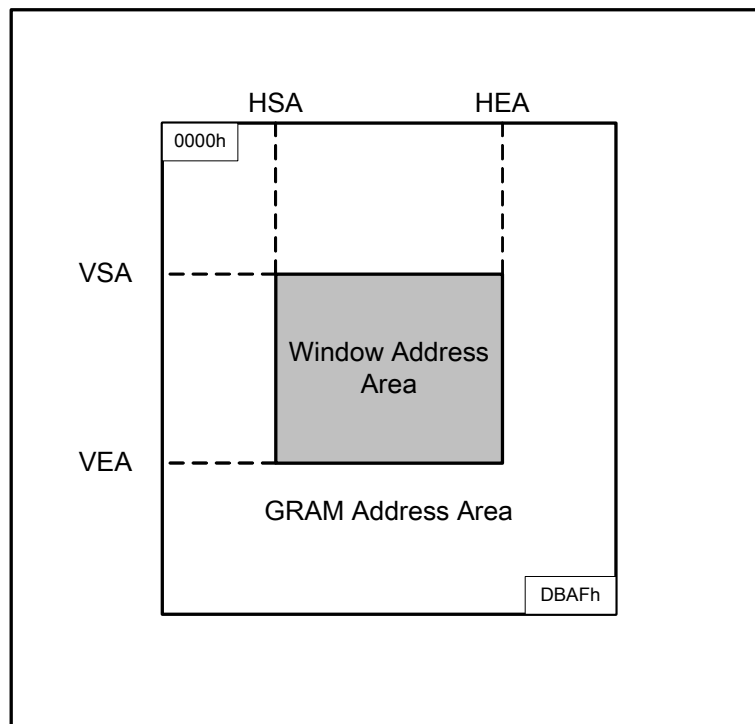


Figure27 GRAM Access Range configuration

$$“00”h \leq HAS[7:0] \leq HEA[7:0] \leq “AF”h$$

$$“00”h \leq VSA[7:0] \leq VEA[7:0] \leq “DB”h$$

Note1. The window address range must be within the GRAM address space.

Note2. Data are written to GRAM in four-words when operating in high speed mode, the dummy write operations should be inserted depending on the window address area. For details, see the High-Speed RAM Write Function section.

8.2.27. Gamma Control (R50h ~ R59h)

	R/W	RS	D15	D14	D13	D12	D11	D10	D9	D8	D7	D6	D5	D4	D3	D2	D1	D0
R50h	W	1	0	0	0	0	KP13	KP12	KP11	KP10	0	0	0	0	KP03	KP02	KP01	KP00
R51h	W	1	0	0	0	0	KP33	KP32	KP31	KP30	0	0	0	0	KP23	KP22	KP21	KP20
R52h	W	1	0	0	0	0	KP53	KP52	KP51	KP50	0	0	0	0	KP43	KP42	KP41	KP40
R53h	W	1	0	0	0	0	RP13	RP12	RP11	RP10	0	0	0	0	RP03	RP02	RP01	RP00
R54h	W	1	0	0	0	0	KN13	KN12	KN11	KN10	0	0	0	0	KN03	KN02	KN01	KN00
R55h	W	1	0	0	0	0	KN33	KN32	KN31	KN30	0	0	0	0	KN23	KN22	KN21	KN20
R56h	W	1	0	0	0	0	KN53	KN52	KN51	KN50	0	0	0	0	KN43	KN42	KN41	KN40
R57h	W	1	0	0	0	0	RN13	RN12	RN11	RN10	0	0	0	0	RN03	RN02	RN01	RN00
R58h	W	1	0	0	0	VRP	VRP	VRP	VRP	VRP	0	0	0	VRP	VRP	VRP	VRP	VRP
						14	13	12	11	10				04	03	02	01	00
R59h	W	1	0	0	0	VRN	VRN	VRN	VRN	VRN	0	0	0	VRN	VRN	VRN	VRN	VRN
						14	13	12	11	10				04	03	02	01	00

KP53-00: The gamma fine adjustment register for the positive polarity output

*Initial Value: KP53-00 = 0000

RP13-00: The gradient adjustment register for the positive polarity output.

*Initial Value: RP13-00 = 0000

.

KN53-00: The gamma fine adjustment register for the negative polarity output.

*Initial Value: KN53-00 = 0000

RN13-00: The gradient adjustment register for the negative polarity output

*Initial Value: RN13-00 = 0000

VRP14-00: The amplitude adjustment register for the positive polarity output.

*Initial Value: VRP14-00 = 0000

VRN14-00: The amplitude adjustment register for the negative polarity output

*Initial Value: VRN14-00 = 0000

8.2.28. NV Memory Data Programming (R60h)

R/W	RS	D15	D14	D13	D12	D11	D10	D9	D8	D7	D6	D5	D4	D3	D2	D1	D0
W	1	0	0	0	0	0	0	0	0	VM _{D7}	VM _{D6}	VM _{D5}	VM _{D4}	VM _{D3}	VM _{D2}	VM _{D1}	VM _{D0}

VM_D[7:0]: NV memory data programming.

8.2.29. NV Memory Control (R61h)

R/W	RS	D15	D14	D13	D12	D11	D10	D9	D8	D7	D6	D5	D4	D3	D2	D1	D0
W	1	0	0	0	0	0	0	0	VCM_SEL	0	0	0	0	0	0	ID_PGM_EN	VCM_PGM_EN

VCM_PGM_EN: VCM OTP programming enable. When writing the VCOMH NV memory, the bit must be set as '1'.

ID_PGM_EN: ID OTP programming enable. When writing the ID code NV memory, the bit must be set as '1'.

ID_PGM_EN	VCM_PGM_EN	OTP Programming Selection
0	0	NV Memory programming disabled
0	1	VCM (VCOMH) NV Memory programming enable
1	0	ID code NV Memory programming enable
1	1	Setting Prohibited

VCM_SEL: ID OTP programming enable. When writing the ID code NV memory, the bit must be set as '1'.

VCM_SEL	VCM Selection
0	Use the register R14 to adjust the VCOMH voltage
1	Use the NV memory to adjust the VCOMH voltage

Note: The default value of VCM_SEL depends on the NV memory programming, when the NV memory had been programmed.

8.2.30. NV Memory Status (R62h)

R/W	RS	D15	D14	D13	D12	D11	D10	D9	D8	D7	D6	D5	D4	D3	D2	D1	D0
W	1	0	0	PGM_CNT2	PGM_CNT1	0	0	0	0	0	VCM_D6	VCM_D5	VCM_D4	VCM_D3	VCM_D2	VCM_D1	VCM_D0

PGM_CNT[1:0]: VCM NV memory programmed record, the NV memory can be programmed 2 times to adjust the VCOMH voltage. These bits are read only.

PGM_CNT[1:0]	Description
00	OTP clean
01	OTP programmed 1 time
10	OTP programmed 2 times

VCM_D[6:0]: OTP VCM data read value. These bits are read only.

8.2.31. NV memory Protection Key (R63h)

R/W	RS	D15	D14	D13	D12	D11	D10	D9	D8	D7	D6	D5	D4	D3	D2	D1	D0
W	1	KEY 15	KEY 14	KEY 13	KEY 12	KEY 11	KEY 10	KEY 9	KEY 8	KEY 7	KEY 6	KEY 5	KEY 4	KEY 3	KEY 2	KEY 1	KEY 0

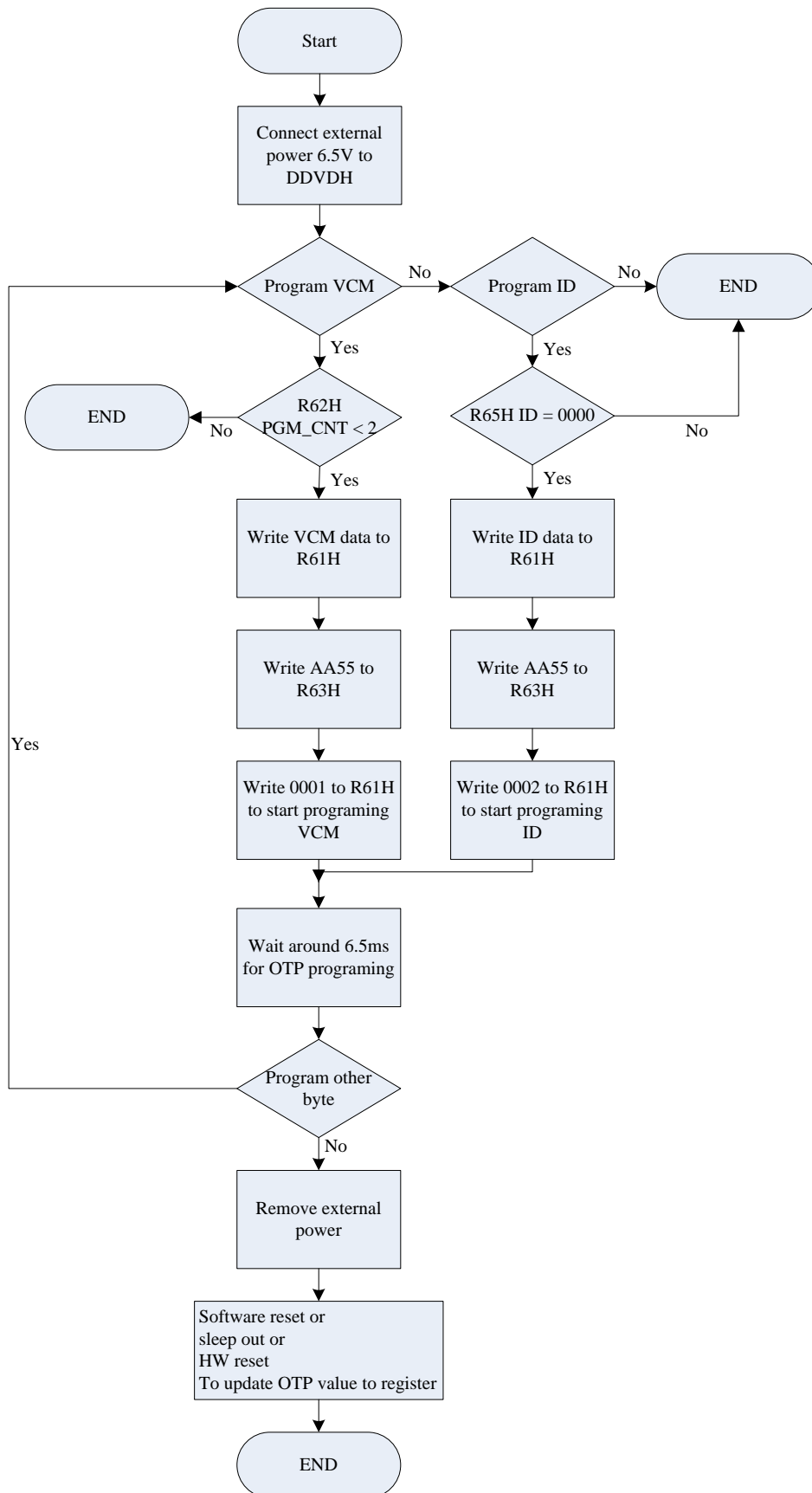
KEY[15:0]: NV memory protection key. When programming the NV memory, the KEY[15:0] must set as 0xAA55 value first to make NV memory programming successfully.

8.2.32. ID Code (R65h)

R/W	RS	D15	D14	D13	D12	D11	D10	D9	D8	D7	D6	D5	D4	D3	D2	D1	D0
W	1	0	0	0	0	0	0	0	0	0	0	0	0	ID3	ID2	ID1	ID0

ID[3:0]: This ID code is stored in the VN memory to record the LCM vender code (read only).

9. NV Memory Programming Flow



10. GRAM Address Map & Read/Write

ILI9225 has an internal graphics RAM (GRAM) of 87,120 bytes to store the display data and one pixel is constructed of 18 bits. The GRAM can be accessed through the i80/M68 system, SPI and RGB interfaces.

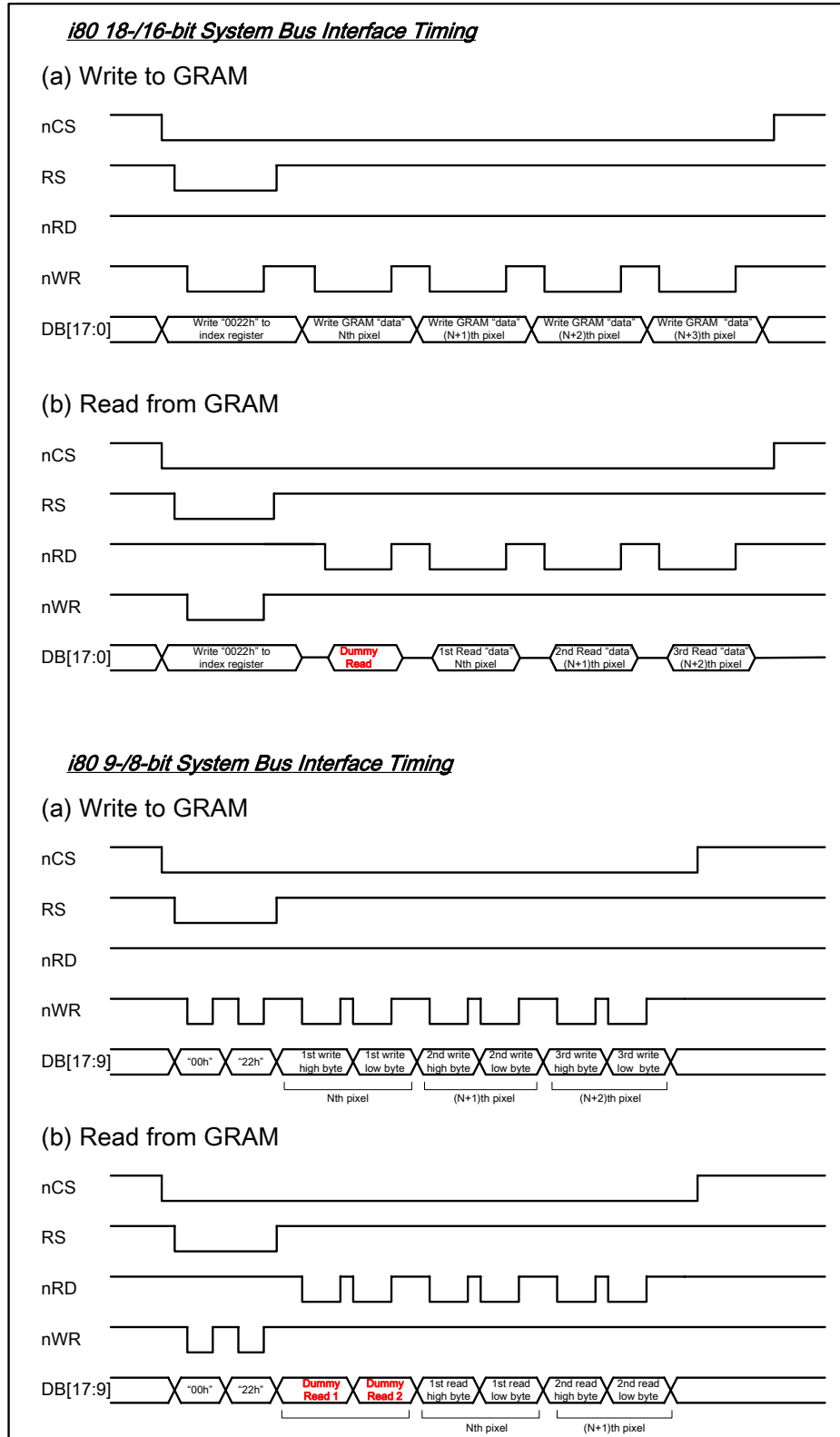


Figure28 GRAM Read/Write Timing of i80-System Interface

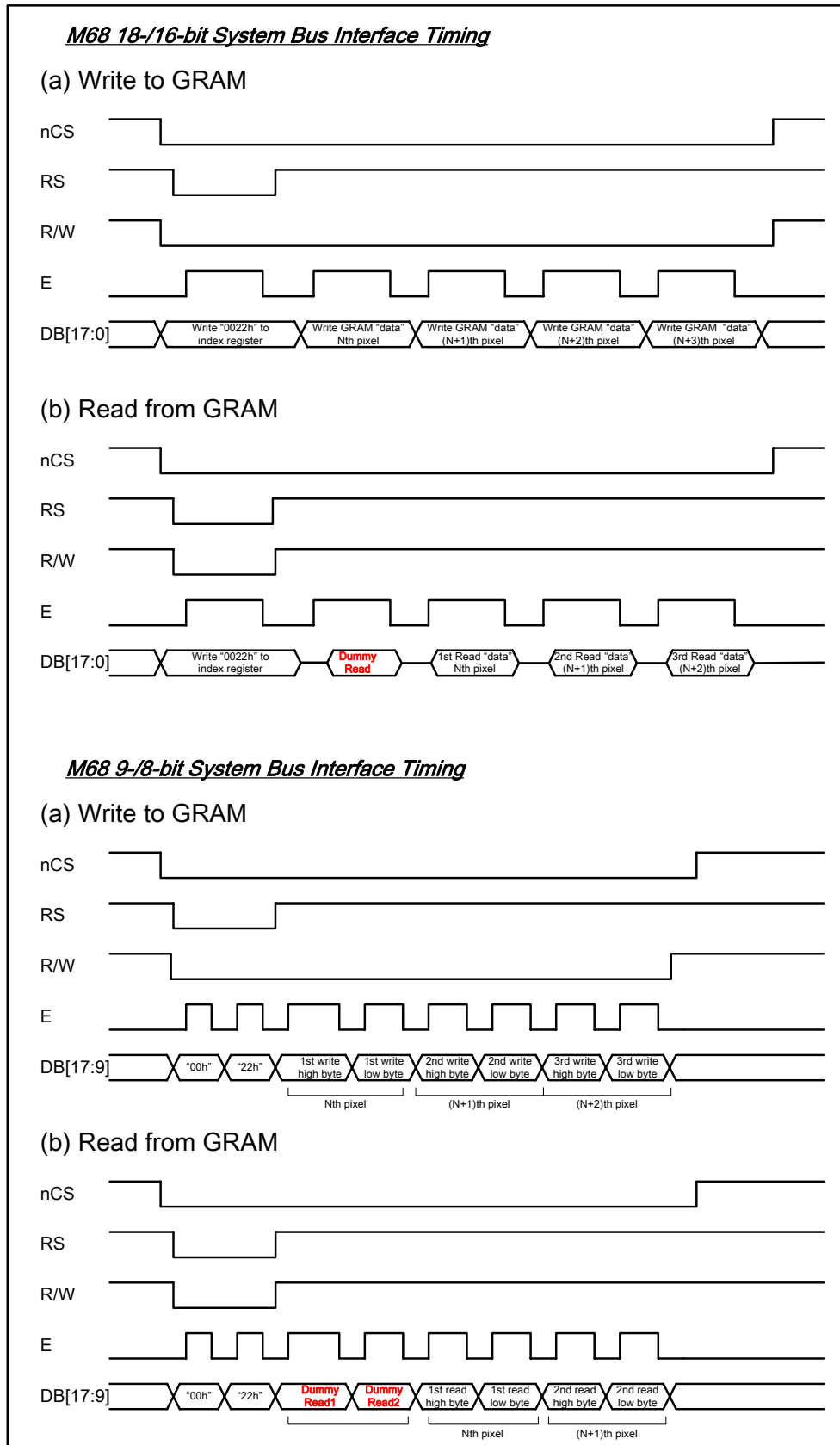


Figure29 GRAM Read/Write Timing of M68-System Interface

GRAM address map table of SS=0, BGR=0

SS=0, BGR=0	S1...S3	S4...S6	S7...S9	S10...S12	...	S517...S519	S520...S522	S523...S525	S526...S528	
GS=0	GS=1	DB17...0	DB17...0	DB17...0	DB17...0	...	DB17...0	DB17...0	DB17...0	DB17...0
G1	G220	"0000h"	"0001h"	"0002h"	"0003h"	...	"00ACh"	"00ADh"	"00AEh"	"00AFh"
G2	G219	"0100h"	"0101h"	"0102h"	"0103h"	...	"01ACh"	"01ADh"	"01AEh"	"01AFh"
G3	G218	"0200h"	"0201h"	"0202h"	"0203h"	...	"02ACh"	"02ADh"	"02AEh"	"02AFh"
G4	G217	"0300h"	"0301h"	"0302h"	"0303h"	...	"03ACh"	"03ADh"	"03AEh"	"03AFh"
G5	G216	"0400h"	"0401h"	"0402h"	"0403h"	...	"04ACh"	"04ADh"	"04AEh"	"04AFh"
G6	G215	"0500h"	"0501h"	"0502h"	"0503h"	...	"05ACh"	"05ADh"	"05AEh"	"05AFh"
G7	G214	"0600h"	"0601h"	"0602h"	"0603h"	...	"06ACh"	"06ADh"	"06AEh"	"06AFh"
G8	G213	"0700h"	"0701h"	"0702h"	"0703h"	...	"07ACh"	"07ADh"	"07AEh"	"07AFh"
G9	G212	"0800h"	"0801h"	"0802h"	"0803h"	...	"08ACh"	"08ADh"	"08AEh"	"08AFh"
G10	G211	"0900h"	"0901h"	"0902h"	"0903h"	...	"09ACh"	"09ADh"	"09AEh"	"09AFh"
.
.
.
G211	G10	"D200h"	"D201h"	"D202h"	"D203h"	...	"D2ACh"	"D2ADh"	"D2AEh"	"D2AFh"
G212	G9	"D300h"	"D301h"	"D302h"	"D303h"	...	"D3ACh"	"D3ADh"	"D3AEh"	"D3AFh"
G213	G8	"D400h"	"D401h"	"D402h"	"D403h"	...	"D4ACh"	"D4ADh"	"D4AEh"	"D4AFh"
G214	G7	"D500h"	"D501h"	"D502h"	"D503h"	...	"D5ACh"	"D5ADh"	"D5AEh"	"D5AFh"
G215	G6	"D600h"	"D601h"	"D602h"	"D603h"	...	"D6ACh"	"D6ADh"	"D6AEh"	"D6AFh"
G216	G5	"D700h"	"D701h"	"D702h"	"D703h"	...	"D7ACh"	"D7ADh"	"D7AEh"	"D7AFh"
G217	G4	"D800h"	"D801h"	"D802h"	"D803h"	...	"D8ACh"	"D8ADh"	"D8AEh"	"D8AFh"
G218	G3	"D900h"	"D901h"	"D902h"	"D903h"	...	"D9ACh"	"D9ADh"	"D9AEh"	"D9AFh"
G219	G2	"DA00h"	"DA01h"	"DA02h"	"DA03h"	...	"DAACH"	"DAADh"	"DAAEh"	"DAAFh"
G220	G1	"DB00h"	"DB01h"	"DB02h"	"DB03h"	...	"DBACH"	"DBADh"	"DBAEh"	"DBAFh"

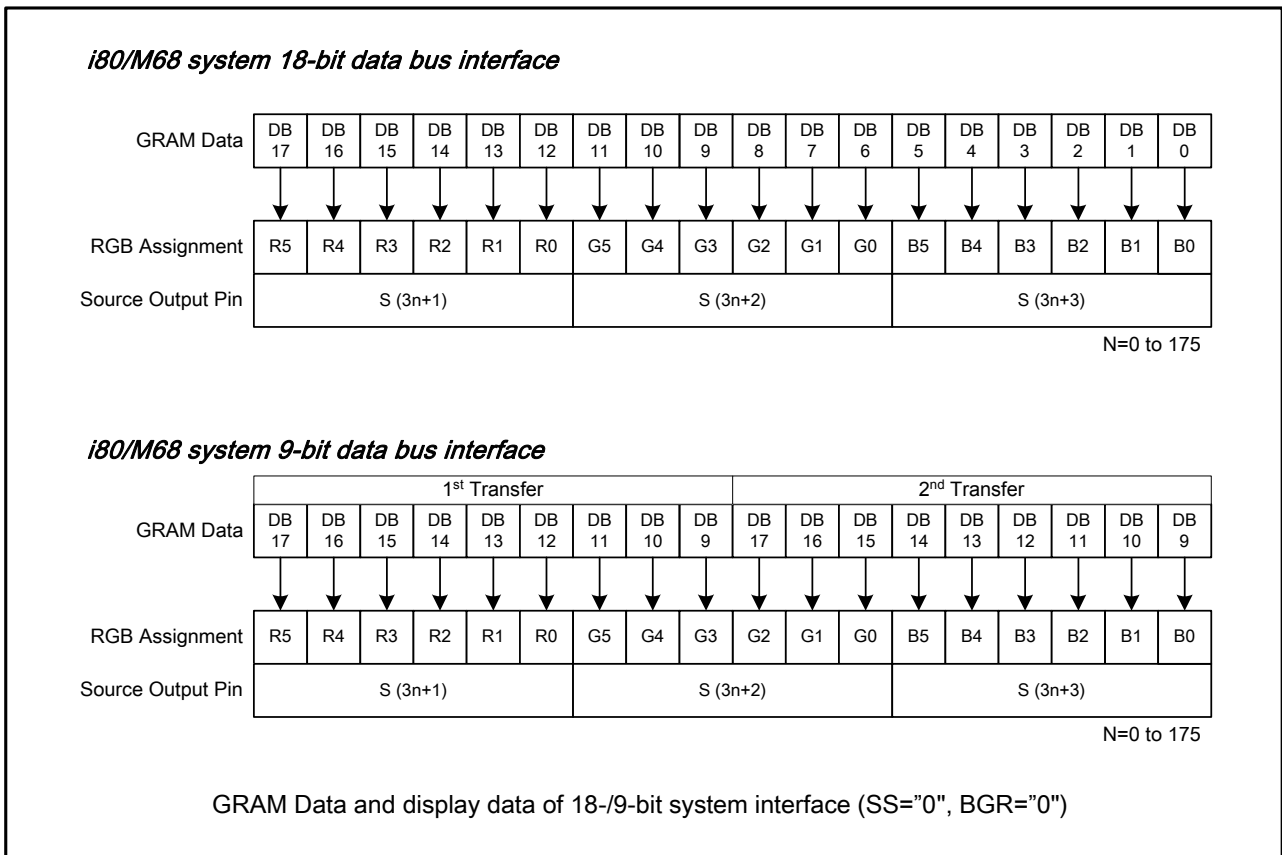


Figure30 i80-System Interface with 18-/9-bit Data Bus (SS="0", BGR="0")

GRAM address map table of SS=1, BGR=1

SS=1, BGR=1	S1...S3	S4...S6	S7...S9	S10...S12	...	S517...S519	S520...S522	S523...S525	S526...S528	
GS=0	GS=1	DB17...0	DB17...0	DB17...0	DB17...0	...	DB17...0	DB17...0	DB17...0	DB17...0
G1	G220	"00AFh"	"00AEh"	"00ADh"	"00ACh"	...	"0003h"	"0002h"	"0001h"	"0000h"
G2	G219	"01AFh"	"01AEh"	"01ADh"	"01ACh"	...	"0103h"	"0102h"	"0101h"	"0100h"
G3	G218	"02AFh"	"02AEh"	"02ADh"	"02ACh"	...	"0203h"	"0202h"	"0201h"	"0200h"
G4	G217	"03AFh"	"03AEh"	"03ADh"	"03ACh"	...	"0303h"	"0302h"	"0301h"	"0300h"
G5	G216	"04AFh"	"04AEh"	"04ADh"	"04ACh"	...	"0403h"	"0402h"	"0401h"	"0400h"
G6	G215	"05AFh"	"05AEh"	"05ADh"	"05ACh"	...	"0503h"	"0502h"	"0501h"	"0500h"
G7	G214	"06AFh"	"06AEh"	"06ADh"	"06ACh"	...	"0603h"	"0602h"	"0601h"	"0600h"
G8	G213	"07AFh"	"07AEh"	"07ADh"	"07ACh"	...	"0703h"	"0702h"	"0701h"	"0700h"
G9	G212	"08AFh"	"08AEh"	"08ADh"	"08ACh"	...	"0803h"	"0802h"	"0801h"	"0800h"
G10	G211	"09AFh"	"09AEh"	"09ADh"	"09ACh"	...	"0903h"	"0902h"	"0901h"	"0900h"
.
.
.
G211	G10	"D2AFh"	"D2AEh"	"D2ADh"	"D2ACh"	...	"D203h"	"D202h"	"D201h"	"D200h"
G212	G9	"D3AFh"	"D3AEh"	"D3ADh"	"D3ACh"	...	"D303h"	"D302h"	"D301h"	"D300h"
G213	G8	"D4AFh"	"D4AEh"	"D4ADh"	"D4ACh"	...	"D403h"	"D402h"	"D401h"	"D400h"
G214	G7	"D5AFh"	"D5AEh"	"D5ADh"	"D5ACh"	...	"D503h"	"D502h"	"D501h"	"D500h"
G215	G6	"D6AFh"	"D6AEh"	"D6ADh"	"D6ACh"	...	"D603h"	"D602h"	"D601h"	"D600h"
G216	G5	"D7AFh"	"D7AEh"	"D7ADh"	"D7ACh"	...	"D703h"	"D702h"	"D701h"	"D700h"
G217	G4	"D8AFh"	"D8AEh"	"D8ADh"	"D8ACh"	...	"D803h"	"D802h"	"D801h"	"D800h"
G218	G3	"D9AFh"	"D9AEh"	"D9ADh"	"D9ACh"	...	"D903h"	"D902h"	"D901h"	"D900h"
G219	G2	"DAAFh"	"DAAEh"	"DAADh"	"DAACH"	...	"DA03h"	"DA02h"	"DA01h"	"DA00h"
G220	G1	"DBAFh"	"DBAEh"	"DBADh"	"DBACH"	...	"DB03h"	"DB02h"	"DB01h"	"DB00h"

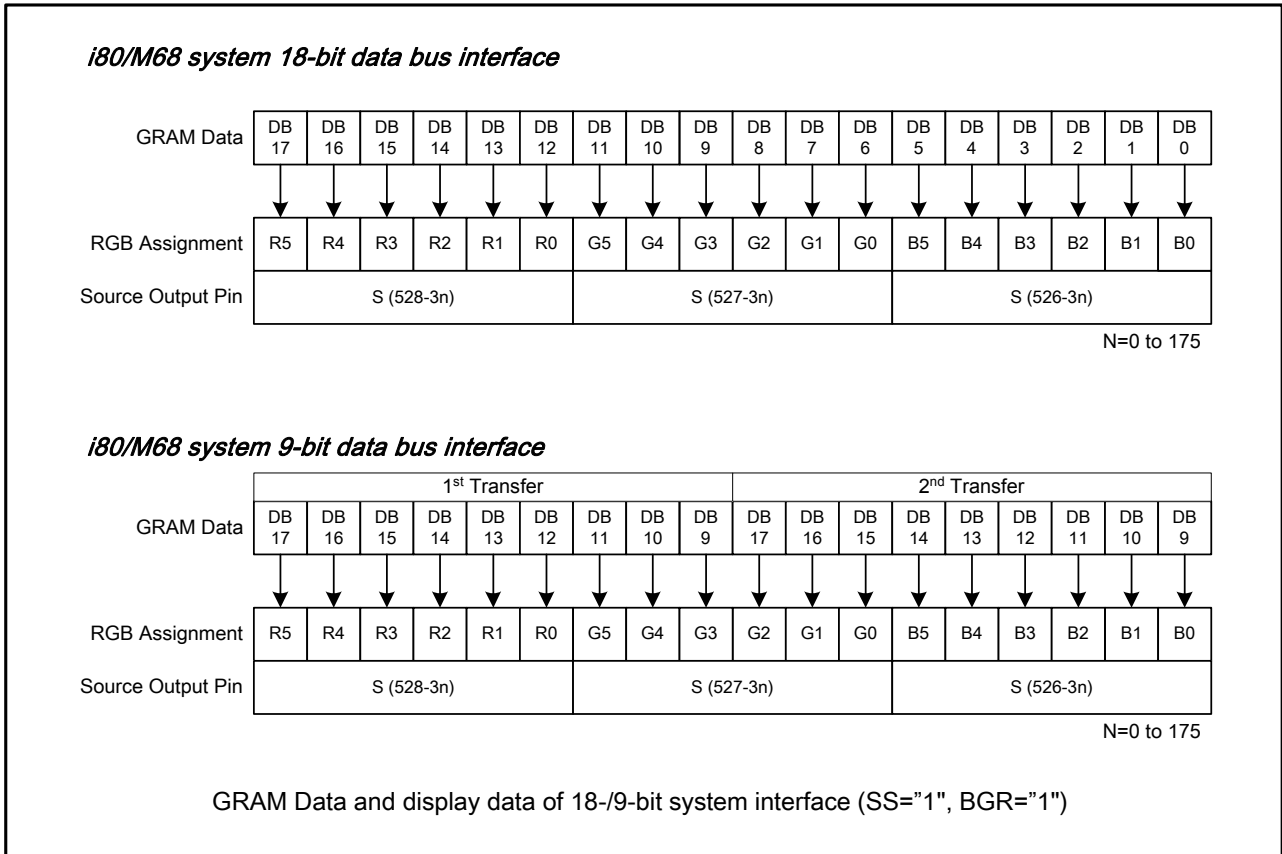


Figure31 i80-System Interface with 18-/9-bit Data Bus (SS="1", BGR="1")

11. Window Address Function

The window address function enables writing display data consecutively in a rectangular area (a window address area) made on the internal RAM. The window address area is made by setting the horizontal address register (start: HSA[7:0], end: HEA[7:0] bits) and the vertical address register (start: VSA[7:0], end: VEA[7:0] bits). The AM bit sets the transition direction of RAM address (either increment or decrement). These bits enable the ILI9225 to write data including image data consecutively not taking data wrap positions into account.

The window address area must be made within the GRAM address map area. Also, the AD[15:0] bits (RAM address set register) must be an address within the window address area.

[Window address setting area]

(Horizontal direction) $00H \leq HSA[7:0] \leq HEA[7:0] \leq "AF"H$

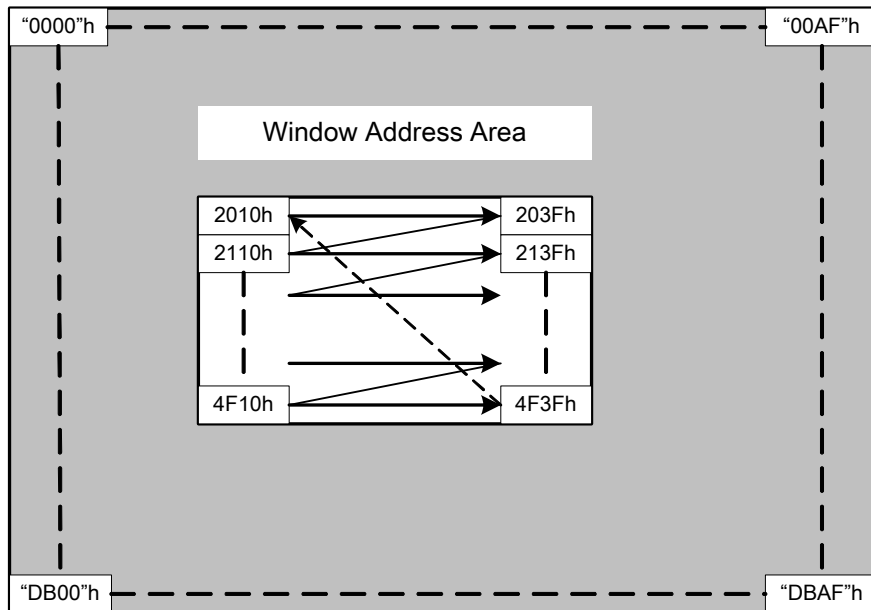
(Vertical direction) $00H \leq VSA[7:0] \leq VEA[7:0] \leq "DB"H$

[RAM address, AD[15:0] (an address within a window address area)]

(RAM address) $HSA[7:0] \leq AD[7:0] \leq HEA[7:0]$

$VSA[7:0] \leq AD[15:8] \leq VEA[7:0]$

GRAM Address Map



Window address setting area

HSA[7:0] = 10h, HSA[7:0] = 3Fh, I/D = 1 (increment)

VSA[7:0] = 20h, VSA[7:0] = 4Fh, AM = 0 (horizontal writing)

Figure32 GRAM Access Window Map

12. Gamma Correction

ILI9225 incorporates the γ -correction function to display 262,144 colors for the LCD panel. The γ -correction is performed with 3 groups of registers determining eight reference grayscale levels, which are gradient adjustment, amplitude adjustment and fine-adjustment registers for positive and negative polarities, to make ILI9225 available with liquid crystal panels of various characteristics.

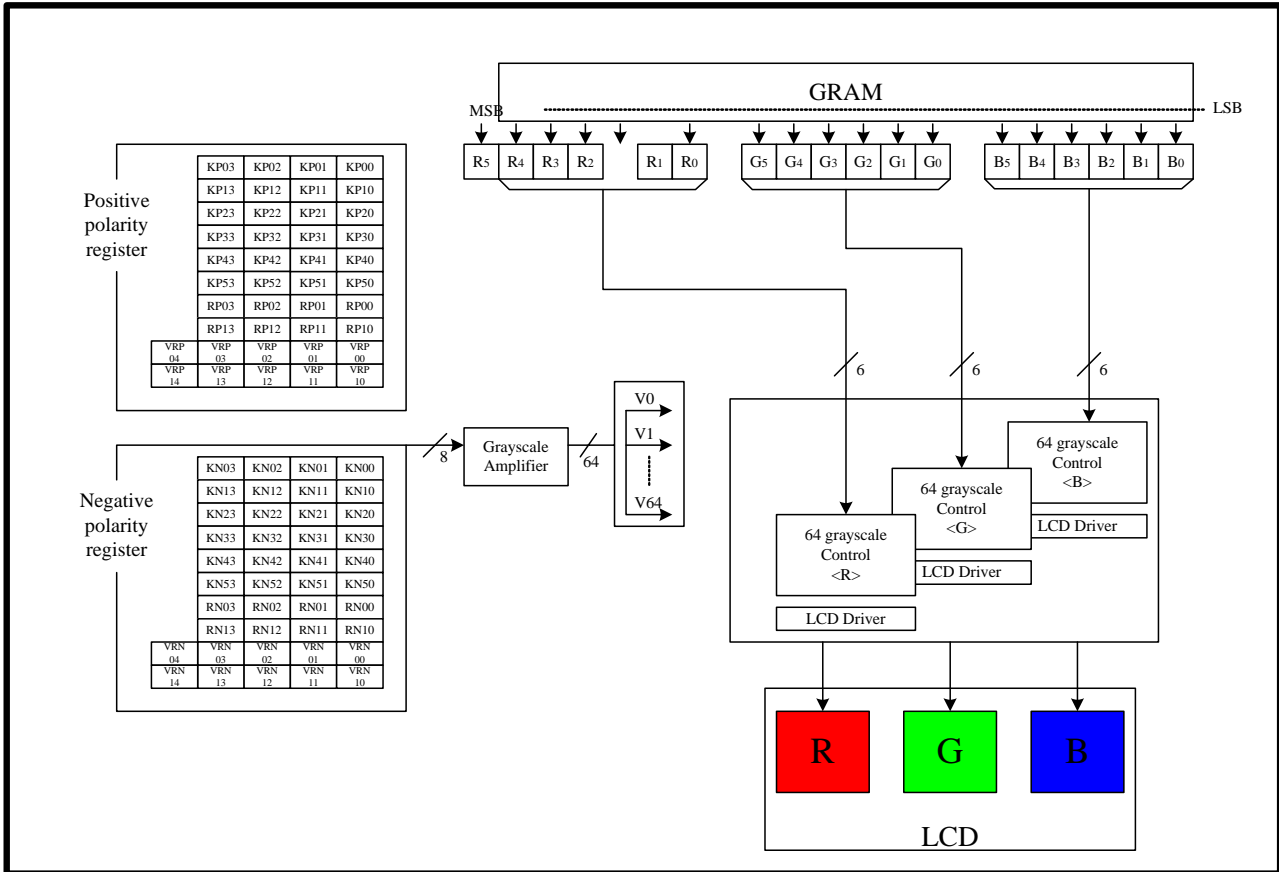


Figure33 Grayscale Mapping

Grayscale Voltage Generator Configuration

The following figure illustrates the grayscale voltage generator function of the ILI9225. To generate 64 grayscale voltages (V0~V63), ILI9225 first generates eight reference grayscale voltages (VgP/N0, VgP/N1, VgP/N8, VgP/N20, VgP/N43, VgP/N55, VgP/N62, VgP/N63) and the grayscale amplifier unit then divides eight reference grayscale voltages with the ladder resistors incorporated therein. Total 64 grayscale levels are generated from the γ -correction function and used for the LCD source driver.

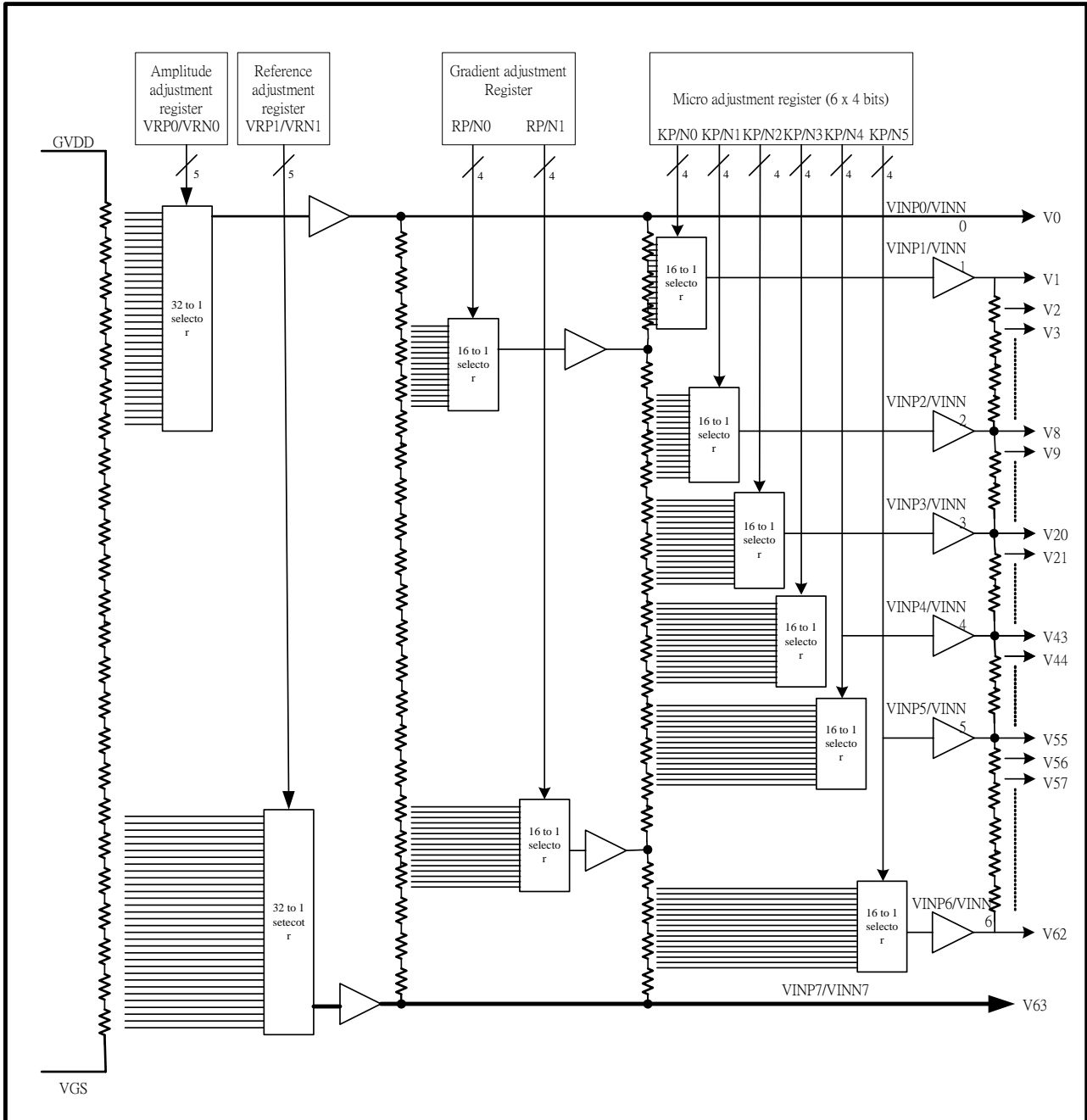


Figure34 Grayscale Voltage Generation

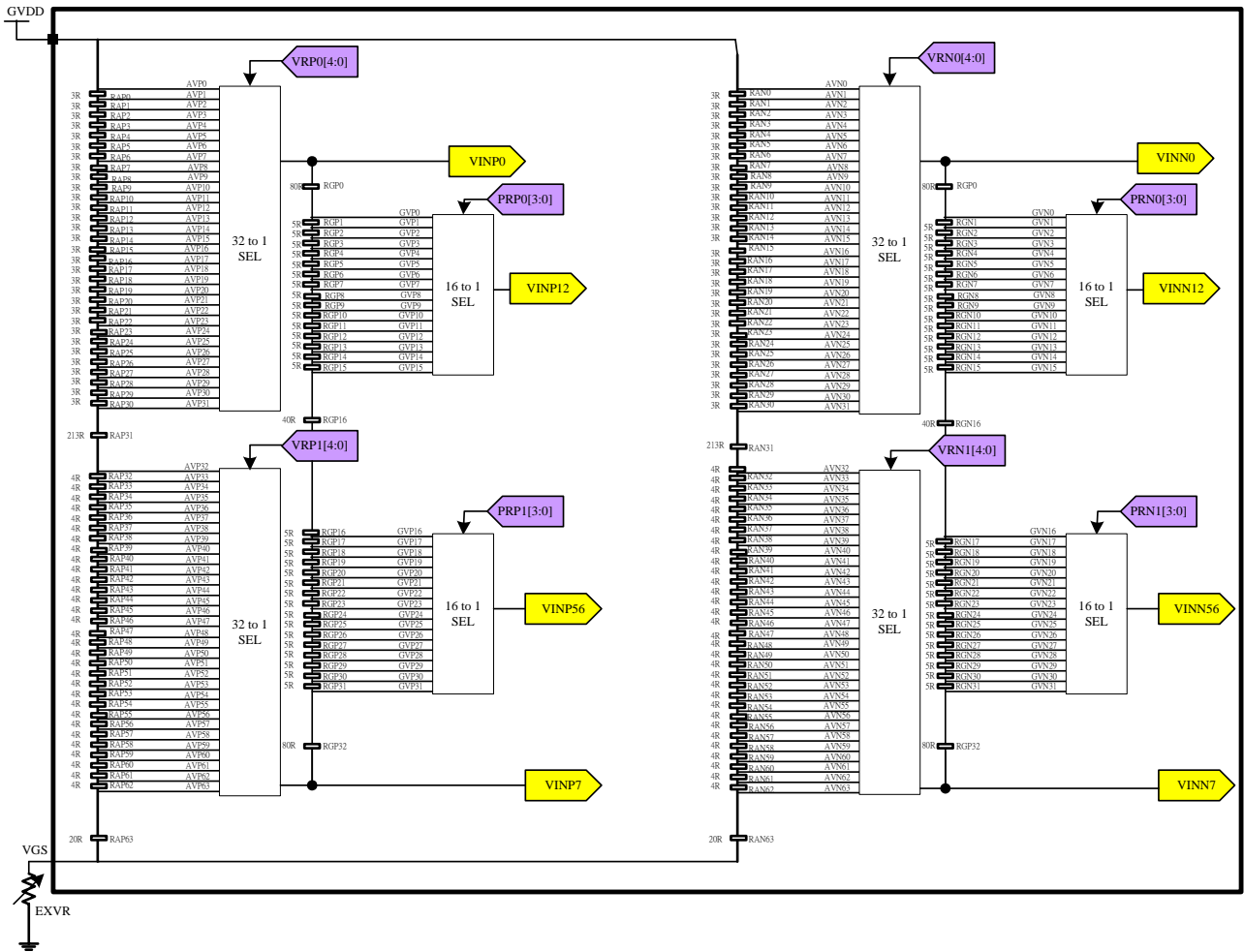


Figure35 Grayscale Voltage Adjustment 1

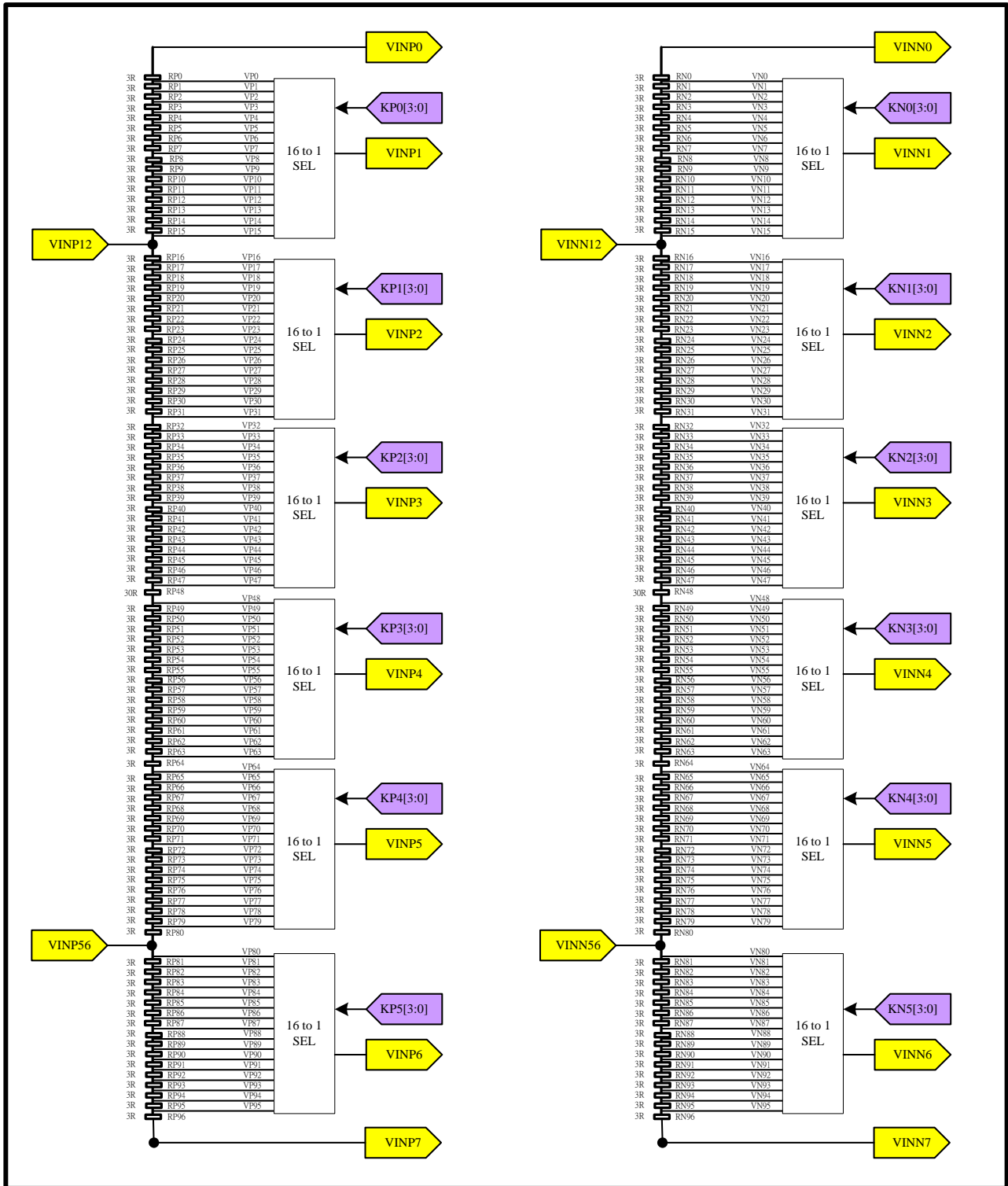


Figure36 Grayscale Voltage Adjustment 2

1. Gradient adjustment registers

The gradient adjustment registers are used to adjust the gradient of the curve representing the relationship between the grayscale and the grayscale reference voltage level. To accomplish the adjustment, it controls the VINP12/VINN12 and VINP56/VINN56 voltage level by the 16 to 1 selector towards the 16-leveled reference voltage generated from the resistor ladder between VINP0/VINN0 and VINP7/VINN7. Also, there is an independent register on the positive/negative polarities in order for corresponding to asymmetry drive.

2. Reference adjusting register

The Reference adjustment register is to adjust the reference of the grayscale voltage. To accomplish the adjustment, it controls the VINP7/VINN7 voltage level by 32 to 1 selector towards the 32-leveled voltage generated from the resistor ladder between GVDD and VGS.

3. Amplitude adjustment registers

The Amplitude adjustment register is to adjust the amplitude of the grayscale voltage. To accomplish the adjustment, it controls the VINP0/VINN0 voltage level by 32 to 1 selector towards the 32-leveled reference voltage generated from the resistor ladder between GVDD and VGS.

4. Fine adjustment registers

The fine adjustment registers are used to fine-adjust grayscale voltage levels. To fine-adjust grayscale voltage levels, fine adjustment registers adjust the reference voltage levels, 16 levels for each register generated from the ladder resistor, in respective 16-to-1 selectors. Same with other registers, the fine adjustment registers consist of positive and negative polarity registers.

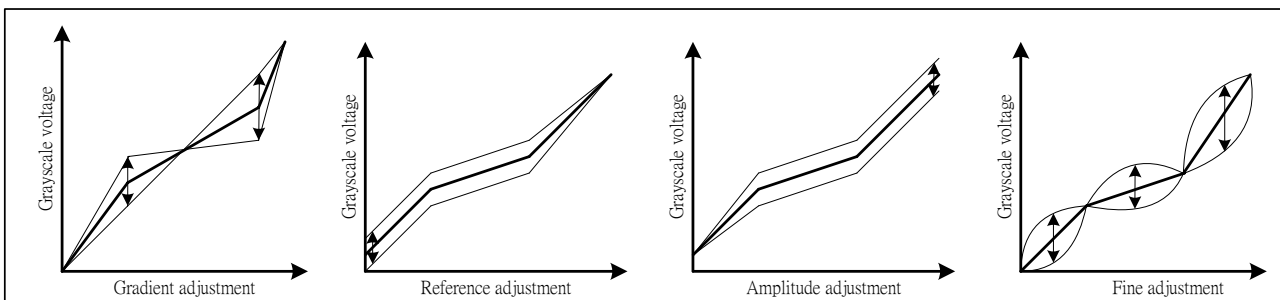


Figure37 Gamma Curve Adjustment

Gamma Adjustment Register

Register	Positive polarity	Negative polarity	Set-up contents
Gradient adjustment	PRP0[3:0]	PRN0[3:0]	The volateg of VINP12/VINN12 is elected by the 16 to 1 selector
	PRP1[3:0]	PRN1[3:0]	The volateg of VINP56/VINN56 is elected by the 16 to 1 selector
Reference adjustment	VRP1[4:0]	VRN11[4:0]	The volateg of VINP7/VINN7 is elected by the 32 to 1 selector

Amplitude adjustment	VRP0[4:0]	VRN0[4:0]	The voltage of VINP0/VINN0 is elected by the 32 to 1 selector
Fine adjustment	PKP0[3:0]	PKN0[3:0]	The voltage of grayscale number 1 is selected by the 16 to 1 selector
	PKP1[3:0]	PKN1[3:0]	The voltage of grayscale number 20 is selected by the 16 to 1 selector
	PKP2[3:0]	PKN2[3:0]	The voltage of grayscale number 43 is selected by the 16 to 1 selector
	PKP3[3:0]	PKN3[3:0]	The voltage of grayscale number 55 is selected by the 16 to 1 selector
	PKP4[3:0]	PKN4[3:0]	The voltage of grayscale number 1 is selected by the 16 to 1 selector
	PKP5[3:0]	PKN5[3:0]	The voltage of grayscale number 62 is selected by the 16 to 1 selector

RESISTOR LADDER NETWORK / SELECTOR

This block outputs the reference voltage of the grayscale voltage. There are four ladder resistors including the 8 to 1 selector selecting voltage generated by the ladder resistance voltage. Also, there are pins that connect to the external volume resistor. In addition, it allows compensating the dispersion of length between one panel and another.

Resistor ladder network 1 /selector

There are 4 adjustments that are for the gradient adjustment (VRHP(N)/VRLP(N)) and for the reference / amplitude adjustment (VRP(N)1 / VRP(N)0). The voltage level is set by the gradient adjustment register and the reference / amplitude adjustment registers as below.

Amplitude Adjustment

Register value VRP(N)0 [4:0]	Selected voltage VINP(N)0	Formula of VINP(N)0
0000	AVP(N)0	$(450R/450R) * (GVDD-VGS) + VGS$
0001	AVP(N)1	$(447R/450R) * (GVDD-VGS) + VGS$
0010	AVP(N)2	$(444R/450R) * (GVDD-VGS) + VGS$
0011	AVP(N)3	$(441R/450R) * (GVDD-VGS) + VGS$
0100	AVP(N)4	$(438R/450R) * (GVDD-VGS) + VGS$
0101	AVP(N)5	$(435R/450R) * (GVDD-VGS) + VGS$
0110	AVP(N)6	$(432R/450R) * (GVDD-VGS) + VGS$
0111	AVP(N)7	$(429R/450R) * (GVDD-VGS) + VGS$
1000	AVP(N)8	$(426R/450R) * (GVDD-VGS) + VGS$
1001	AVP(N)9	$(423R/450R) * (GVDD-VGS) + VGS$
1010	AVP(N)10	$(420R/450R) * (GVDD-VGS) + VGS$
1011	AVP(N)11	$(417R/450R) * (GVDD-VGS) + VGS$
1100	AVP(N)12	$(414R/450R) * (GVDD-VGS) + VGS$
1101	AVP(N)13	$(411R/450R) * (GVDD-VGS) + VGS$
1110	AVP(N)14	$(408R/450R) * (GVDD-VGS) + VGS$
1111	AVP(N)15	$(405R/450R) * (GVDD-VGS) + VGS$
1000	AVP(N)16	$(402R/450R) * (GVDD-VGS) + VGS$
1001	AVP(N)17	$(399R/450R) * (GVDD-VGS) + VGS$
1010	AVP(N)18	$(396R/450R) * (GVDD-VGS) + VGS$
1011	AVP(N)19	$(393R/450R) * (GVDD-VGS) + VGS$
1010	AVP(N)20	$(390R/450R) * (GVDD-VGS) + VGS$
1011	AVP(N)21	$(387R/450R) * (GVDD-VGS) + VGS$
1011	AVP(N)22	$(384R/450R) * (GVDD-VGS) + VGS$
1011	AVP(N)23	$(381R/450R) * (GVDD-VGS) + VGS$
1100	AVP(N)24	$(378R/450R) * (GVDD-VGS) + VGS$
1100	AVP(N)25	$(375R/450R) * (GVDD-VGS) + VGS$
1101	AVP(N)26	$(372R/450R) * (GVDD-VGS) + VGS$
1101	AVP(N)27	$(369R/450R) * (GVDD-VGS) + VGS$
1110	AVP(N)28	$(366R/450R) * (GVDD-VGS) + VGS$
1110	AVP(N)29	$(363R/450R) * (GVDD-VGS) + VGS$
1111	AVP(N)30	$(360R/450R) * (GVDD-VGS) + VGS$
1111	AVP(N)31	$(357R/450R) * (GVDD-VGS) + VGS$

Reference Adjustment

Register value VRP(N)1 [4:0]	Selected voltage VINP(N)7	Formula of VINP(N)7
0000	AVP(N)63	$(20R/450R) * (GVDD-VGS) + VGS$
0001	AVP(N)62	$(24R/450R) * (GVDD-VGS) + VGS$
0010	AVP(N)61	$(28R/450R) * (GVDD-VGS) + VGS$
0011	AVP(N)60	$(32R/450R) * (GVDD-VGS) + VGS$
00100	AVP(N)59	$(36R/450R) * (GVDD-VGS) + VGS$
00101	AVP(N)58	$(40R/450R) * (GVDD-VGS) + VGS$
00110	AVP(N)57	$(44R/450R) * (GVDD-VGS) + VGS$
00111	AVP(N)56	$(48R/450R) * (GVDD-VGS) + VGS$
01000	AVP(N)55	$(52R/450R) * (GVDD-VGS) + VGS$
01001	AVP(N)54	$(56R/450R) * (GVDD-VGS) + VGS$
01010	AVP(N)53	$(60R/450R) * (GVDD-VGS) + VGS$
01011	AVP(N)52	$(64R/450R) * (GVDD-VGS) + VGS$
01100	AVP(N)51	$(68R/450R) * (GVDD-VGS) + VGS$
01101	AVP(N)50	$(72R/450R) * (GVDD-VGS) + VGS$
01110	AVP(N)49	$(76R/450R) * (GVDD-VGS) + VGS$
01111	AVP(N)48	$(80R/450R) * (GVDD-VGS) + VGS$
10000	AVP(N)47	$(84R/450R) * (GVDD-VGS) + VGS$
10001	AVP(N)46	$(88R/450R) * (GVDD-VGS) + VGS$
10010	AVP(N)45	$(92R/450R) * (GVDD-VGS) + VGS$
10011	AVP(N)44	$(96R/450R) * (GVDD-VGS) + VGS$
10100	AVP(N)43	$(100R/450R) * (GVDD-VGS) + VGS$
10101	AVP(N)42	$(104R/450R) * (GVDD-VGS) + VGS$
10110	AVP(N)41	$(108R/450R) * (GVDD-VGS) + VGS$
10111	AVP(N)40	$(112R/450R) * (GVDD-VGS) + VGS$
11000	AVP(N)39	$(116R/450R) * (GVDD-VGS) + VGS$
11001	AVP(N)38	$(120R/450R) * (GVDD-VGS) + VGS$
11010	AVP(N)37	$(124R/450R) * (GVDD-VGS) + VGS$
11011	AVP(N)36	$(128R/450R) * (GVDD-VGS) + VGS$
11100	AVP(N)35	$(132R/450R) * (GVDD-VGS) + VGS$
11101	AVP(N)34	$(136R/450R) * (GVDD-VGS) + VGS$
11110	AVP(N)33	$(140R/450R) * (GVDD-VGS) + VGS$
11111	AVP(N)32	$(144R/450R) * (GVDD-VGS) + VGS$

Gradient Adjustment (1)

Register value PRP(N)0 [2:0]	Selected voltage VINP(N)12	Formula of VINP(N)12
0000	GVP(N)0	$(270R/350R) * (VINP(N)0 - VINP(N)7) + VINP(N)7$
0001	GVP(N)1	$(265R/350R) * (VINP(N)0 - VINP(N)7) + VINP(N)7$
0010	GVP(N)2	$(260R/350R) * (VINP(N)0 - VINP(N)7) + VINP(N)7$
0011	GVP(N)3	$(255R/350R) * (VINP(N)0 - VINP(N)7) + VINP(N)7$
0100	GVP(N)4	$(250R/350R) * (VINP(N)0 - VINP(N)7) + VINP(N)7$
0101	GVP(N)5	$(245R/350R) * (VINP(N)0 - VINP(N)7) + VINP(N)7$
0110	GVP(N)6	$(240R/350R) * (VINP(N)0 - VINP(N)7) + VINP(N)7$
0111	GVP(N)7	$(235R/350R) * (VINP(N)0 - VINP(N)7) + VINP(N)7$
1000	GVP(N)8	$(230R/350R) * (VINP(N)0 - VINP(N)7) + VINP(N)7$
1001	GVP(N)9	$(225R/350R) * (VINP(N)0 - VINP(N)7) + VINP(N)7$
1010	GVP(N)10	$(220R/350R) * (VINP(N)0 - VINP(N)7) + VINP(N)7$
1011	GVP(N)11	$(215R/350R) * (VINP(N)0 - VINP(N)7) + VINP(N)7$
1100	GVP(N)12	$(210R/350R) * (VINP(N)0 - VINP(N)7) + VINP(N)7$
1101	GVP(N)13	$(205R/350R) * (VINP(N)0 - VINP(N)7) + VINP(N)7$
1110	GVP(N)14	$(195R/350R) * (VINP(N)0 - VINP(N)7) + VINP(N)7$
1111	GVP(N)15	$(190R/350R) * (VINP(N)0 - VINP(N)7) + VINP(N)7$

Reference Adjustment (2)

Register value PRP(N)1 [2:0]	Selected voltage VINP(N)56	Formula of VINP(N)56
0000	GVP(N)0	$(80R/350R) \cdot (VINP(N)0 - VINP(N)7) + VINP(N)7$
0001	GVP(N)1	$(85R/350R) \cdot (VINP(N)0 - VINP(N)7) + VINP(N)7$
0010	GVP(N)2	$(90R/350R) \cdot (VINP(N)0 - VINP(N)7) + VINP(N)7$
0011	GVP(N)3	$(95R/350R) \cdot (VINP(N)0 - VINP(N)7) + VINP(N)7$
0100	GVP(N)4	$(100R/350R) \cdot (VINP(N)0 - VINP(N)7) + VINP(N)7$
0101	GVP(N)5	$(105R/350R) \cdot (VINP(N)0 - VINP(N)7) + VINP(N)7$
0110	GVP(N)6	$(110R/350R) \cdot (VINP(N)0 - VINP(N)7) + VINP(N)7$
0111	GVP(N)7	$(115R/350R) \cdot (VINP(N)0 - VINP(N)7) + VINP(N)7$
1000	GVP(N)8	$(120R/350R) \cdot (VINP(N)0 - VINP(N)7) + VINP(N)7$
1001	GVP(N)9	$(125R/350R) \cdot (VINP(N)0 - VINP(N)7) + VINP(N)7$
1010	GVP(N)10	$(130R/350R) \cdot (VINP(N)0 - VINP(N)7) + VINP(N)7$
1011	GVP(N)11	$(135R/350R) \cdot (VINP(N)0 - VINP(N)7) + VINP(N)7$
1100	GVP(N)12	$(140R/350R) \cdot (VINP(N)0 - VINP(N)7) + VINP(N)7$
1101	GVP(N)13	$(145R/350R) \cdot (VINP(N)0 - VINP(N)7) + VINP(N)7$
1110	GVP(N)14	$(150R/350R) \cdot (VINP(N)0 - VINP(N)7) + VINP(N)7$
1111	GVP(N)15	$(155R/350R) \cdot (VINP(N)0 - VINP(N)7) + VINP(N)7$

Resistor ladder network 2/selector

In the 16-to-1 selector, the voltage level must be selected by the given ladder resistance and the micro-adjustment register and output the six types of the reference voltage, VIN1 to VIN6.

Following figure explains the relationship between the micro-adjustment register and the selected voltage.

Relationship between Fine-adjustment Register and Selected Voltage

register value PKP(N) [3:0]	Selected voltage					
	VINP(N)1	VINP(N)2	VINP(N)3	VINP(N)4	VINP(N)5	VINP(N)6
0000	KVP(N)0	KVP(N)16	KVP(N)32	KVP(N)63	KVP(N)79	KVP(N)95
0001	KVP(N)1	KVP(N)17	KVP(N)33	KVP(N)62	KVP(N)78	KVP(N)94
0010	KVP(N)2	KVP(N)18	KVP(N)34	KVP(N)61	KVP(N)77	KVP(N)93
0011	KVP(N)3	KVP(N)19	KVP(N)35	KVP(N)60	KVP(N)76	KVP(N)92
0100	KVP(N)4	KVP(N)20	KVP(N)36	KVP(N)59	KVP(N)75	KVP(N)91
0101	KVP(N)5	KVP(N)21	KVP(N)37	KVP(N)58	KVP(N)74	KVP(N)90
0110	KVP(N)6	KVP(N)22	KVP(N)38	KVP(N)57	KVP(N)73	KVP(N)89
0111	KVP(N)7	KVP(N)23	KVP(N)39	KVP(N)56	KVP(N)72	KVP(N)88
1000	KVP(N)8	KVP(N)24	KVP(N)40	KVP(N)55	KVP(N)71	KVP(N)87
1001	KVP(N)9	KVP(N)25	KVP(N)41	KVP(N)54	KVP(N)70	KVP(N)86
1010	KVP(N)10	KVP(N)26	KVP(N)42	KVP(N)53	KVP(N)69	KVP(N)85
1011	KVP(N)11	KVP(N)27	KVP(N)43	KVP(N)52	KVP(N)68	KVP(N)84
1100	KVP(N)12	KVP(N)28	KVP(N)44	KVP(N)51	KVP(N)67	KVP(N)83
1101	KVP(N)13	KVP(N)29	KVP(N)45	KVP(N)50	KVP(N)66	KVP(N)82
1110	KVP(N)14	KVP(N)30	KVP(N)46	KVP(N)49	KVP(N)65	KVP(N)81
1111	KVP(N)15	KVP(N)31	KVP(N)47	KVP(N)48	KVP(N)64	KVP(N)80

[NOTE] The grayscale levels are determined by the following formulas listed in the next pages.

Formulas for Calculating Gamma Adjusting Voltage (Positive Polarity) 1

Pins	Formula	Fine-adjusting register value	Reference voltage
KVP0	$(45R/48R) \cdot (VINP0 - VINP12) + VINP12$	PKP0[3:0]="0000"	VINP1
KVP1	$(42R/48R) \cdot (VINP0 - VINP12) + VINP12$	PKP0[3:0]="0001"	
KVP2	$(39R/48R) \cdot (VINP0 - VINP12) + VINP12$	PKP0[3:0]="0010"	
KVP3	$(36R/48R) \cdot (VINP0 - VINP12) + VINP12$	PKP0[3:0]="0011"	
KVP4	$(33R/48R) \cdot (VINP0 - VINP12) + VINP12$	PKP0[3:0]="0100"	
KVP5	$(30R/48R) \cdot (VINP0 - VINP12) + VINP12$	PKP0[3:0]="0101"	
KVP6	$(27R/48R) \cdot (VINP0 - VINP12) + VINP12$	PKP0[3:0]="0110"	
KVP7	$(24R/48R) \cdot (VINP0 - VINP12) + VINP12$	PKP0[3:0]="0111"	
KVP8	$(21R/48R) \cdot (VINP0 - VINP12) + VINP12$	PKP0[3:0]="1000"	
KVP9	$(18R/48R) \cdot (VINP0 - VINP12) + VINP12$	PKP0[3:0]="1001"	
KVP10	$(15R/48R) \cdot (VINP0 - VINP12) + VINP12$	PKP0[3:0]="1010"	
KVP11	$(12R/48R) \cdot (VINP0 - VINP12) + VINP12$	PKP0[3:0]="1011"	
KVP12	$(9R/48R) \cdot (VINP0 - VINP12) + VINP12$	PKP0[3:0]="1100"	
KVP13	$(6R/48R) \cdot (VINP0 - VINP12) + VINP12$	PKP0[3:0]="1101"	
KVP14	$(3R/48R) \cdot (VINP0 - VINP12) + VINP12$	PKP0[3:0]="1110"	
KVP15	VINP12	PKP0[3:0]="1111"	
KVP16	$(219R/222R) \cdot (VINP12 - VINP56) + VINP56$	PKP1[3:0]="0000"	VINP2
KVP17	$(216R/222R) \cdot (VINP12 - VINP56) + VINP56$	PKP1[3:0]="0001"	
KVP18	$(213R/222R) \cdot (VINP12 - VINP56) + VINP56$	PKP1[3:0]="0010"	
KVP19	$(210R/222R) \cdot (VINP12 - VINP56) + VINP56$	PKP1[3:0]="0011"	
KVP20	$(207R/222R) \cdot (VINP12 - VINP56) + VINP56$	PKP1[3:0]="0100"	
KVP21	$(204R/222R) \cdot (VINP12 - VINP56) + VINP56$	PKP1[3:0]="0101"	
KVP22	$(201R/222R) \cdot (VINP12 - VINP56) + VINP56$	PKP1[3:0]="0110"	
KVP23	$(198R/222R) \cdot (VINP12 - VINP56) + VINP56$	PKP1[3:0]="0111"	
KVP24	$(195R/222R) \cdot (VINP12 - VINP56) + VINP56$	PKP1[3:0]="1000"	
KVP25	$(192R/222R) \cdot (VINP12 - VINP56) + VINP56$	PKP1[3:0]="1001"	
KVP26	$(189R/222R) \cdot (VINP12 - VINP56) + VINP56$	PKP1[3:0]="1010"	
KVP27	$(186R/222R) \cdot (VINP12 - VINP56) + VINP56$	PKP1[3:0]="1011"	
KVP28	$(183R/222R) \cdot (VINP12 - VINP56) + VINP56$	PKP1[3:0]="1100"	
KVP29	$(180R/222R) \cdot (VINP12 - VINP56) + VINP56$	PKP1[3:0]="1101"	
KVP30	$(177R/222R) \cdot (VINP12 - VINP56) + VINP56$	PKP1[3:0]="1110"	
KVP31	$(174R/222R) \cdot (VINP12 - VINP56) + VINP56$	PKP1[3:0]="1111"	
KVP32	$(171R/222R) \cdot (VINP12 - VINP56) + VINP56$	PKP2[3:0]="0000"	VINP3
KVP33	$(168R/222R) \cdot (VINP12 - VINP56) + VINP56$	PKP2[3:0]="0001"	
KVP34	$(165R/222R) \cdot (VINP12 - VINP56) + VINP56$	PKP2[3:0]="0010"	
KVP35	$(162R/222R) \cdot (VINP12 - VINP56) + VINP56$	PKP2[3:0]="0011"	
KVP36	$(159R/222R) \cdot (VINP12 - VINP56) + VINP56$	PKP2[3:0]="0100"	
KVP37	$(156R/222R) \cdot (VINP12 - VINP56) + VINP56$	PKP2[3:0]="0101"	
KVP38	$(153R/222R) \cdot (VINP12 - VINP56) + VINP56$	PKP2[3:0]="0110"	
KVP39	$(150R/222R) \cdot (VINP12 - VINP56) + VINP56$	PKP2[3:0]="0111"	
KVP40	$(147R/222R) \cdot (VINP12 - VINP56) + VINP56$	PKP2[3:0]="1000"	
KVP41	$(144R/222R) \cdot (VINP12 - VINP56) + VINP56$	PKP2[3:0]="1001"	
KVP42	$(141R/222R) \cdot (VINP12 - VINP56) + VINP56$	PKP2[3:0]="1010"	
KVP43	$(138R/222R) \cdot (VINP12 - VINP56) + VINP56$	PKP2[3:0]="1011"	
KVP44	$(135R/222R) \cdot (VINP12 - VINP56) + VINP56$	PKP2[3:0]="1100"	
KVP45	$(132R/222R) \cdot (VINP12 - VINP56) + VINP56$	PKP2[3:0]="1101"	
KVP46	$(129R/222R) \cdot (VINP12 - VINP56) + VINP56$	PKP2[3:0]="1110"	
KVP47	$(126R/222R) \cdot (VINP12 - VINP56) + VINP56$	PKP2[3:0]="1111"	

Pins	Formula	Fine-adjusting register value	Reference voltage
KVP48	$(96R/222R) \cdot (VINP12 - VINP56) + VINP56$	PKP3[3:0]="1111"	VINP4
KVP49	$(93R/222R) \cdot (VINP12 - VINP56) + VINP56$	PKP3[3:0]="1110"	
KVP50	$(90R/222R) \cdot (VINP12 - VINP56) + VINP56$	PKP3[3:0]="1101"	
KVP51	$(87R/222R) \cdot (VINP12 - VINP56) + VINP56$	PKP3[3:0]="1100"	
KVP52	$(84R/222R) \cdot (VINP12 - VINP56) + VINP56$	PKP3[3:0]="1011"	
KVP53	$(81R/222R) \cdot (VINP12 - VINP56) + VINP56$	PKP3[3:0]="1010"	
KVP54	$(78R/222R) \cdot (VINP12 - VINP56) + VINP56$	PKP3[3:0]="1001"	
KVP55	$(75R/222R) \cdot (VINP12 - VINP56) + VINP56$	PKP3[3:0]="1000"	
KVP56	$(72R/222R) \cdot (VINP12 - VINP56) + VINP56$	PKP3[3:0]="0111"	
KVP57	$(69R/222R) \cdot (VINP12 - VINP56) + VINP56$	PKP3[3:0]="0110"	
KVP58	$(66R/222R) \cdot (VINP12 - VINP56) + VINP56$	PKP3[3:0]="0101"	
KVP59	$(63R/222R) \cdot (VINP12 - VINP56) + VINP56$	PKP3[3:0]="0100"	
KVP60	$(60R/222R) \cdot (VINP12 - VINP56) + VINP56$	PKP3[3:0]="0011"	
KVP61	$(57R/222R) \cdot (VINP12 - VINP56) + VINP56$	PKP3[3:0]="0010"	
KVP62	$(54R/222R) \cdot (VINP12 - VINP56) + VINP56$	PKP3[3:0]="0001"	
KVP63	$(51R/222R) \cdot (VINP12 - VINP56) + VINP56$	PKP3[3:0]="0000"	
KVP64	$(48R/222R) \cdot (VINP12 - VINP56) + VINP56$	PKP4[3:0]="1111"	VINP5
KVP65	$(45R/222R) \cdot (VINP12 - VINP56) + VINP56$	PKP4[3:0]="1110"	
KVP66	$(42R/222R) \cdot (VINP12 - VINP56) + VINP56$	PKP4[3:0]="1101"	
KVP67	$(39R/222R) \cdot (VINP12 - VINP56) + VINP56$	PKP4[3:0]="1100"	
KVP68	$(36R/222R) \cdot (VINP12 - VINP56) + VINP56$	PKP4[3:0]="1011"	
KVP69	$(33R/222R) \cdot (VINP12 - VINP56) + VINP56$	PKP4[3:0]="1010"	
KVP70	$(30R/222R) \cdot (VINP12 - VINP56) + VINP56$	PKP4[3:0]="1001"	
KVP71	$(27R/222R) \cdot (VINP12 - VINP56) + VINP56$	PKP4[3:0]="1000"	
KVP72	$(24R/222R) \cdot (VINP12 - VINP56) + VINP56$	PKP4[3:0]="0111"	
KVP73	$(21R/222R) \cdot (VINP12 - VINP56) + VINP56$	PKP4[3:0]="0110"	
KVP74	$(18R/222R) \cdot (VINP12 - VINP56) + VINP56$	PKP4[3:0]="0101"	
KVP75	$(15R/222R) \cdot (VINP12 - VINP56) + VINP56$	PKP4[3:0]="0100"	
KVP76	$(12R/222R) \cdot (VINP12 - VINP56) + VINP56$	PKP4[3:0]="0011"	
KVP77	$(9R/222R) \cdot (VINP12 - VINP56) + VINP56$	PKP4[3:0]="0010"	
KVP78	$(6R/222R) \cdot (VINP12 - VINP56) + VINP56$	PKP4[3:0]="0001"	
KVP79	$(3R/222R) \cdot (VINP12 - VINP56) + VINP56$	PKP4[3:0]="0000"	
KVP80	VINP56	PKP5[3:0]="1111"	VINP6
KVP81	$(45R/48R) \cdot (VINP56 - VINP7) + VINP7$	PKP5[3:0]="1110"	
KVP82	$(42R/48R) \cdot (VINP56 - VINP7) + VINP7$	PKP5[3:0]="1101"	
KVP83	$(39R/48R) \cdot (VINP56 - VINP7) + VINP7$	PKP5[3:0]="1100"	
KVP84	$(36R/48R) \cdot (VINP56 - VINP7) + VINP7$	PKP5[3:0]="1011"	
KVP85	$(33R/48R) \cdot (VINP56 - VINP7) + VINP7$	PKP5[3:0]="1010"	
KVP86	$(30R/48R) \cdot (VINP56 - VINP7) + VINP7$	PKP5[3:0]="1001"	
KVP87	$(27R/48R) \cdot (VINP56 - VINP7) + VINP7$	PKP5[3:0]="1000"	
KVP88	$(24R/48R) \cdot (VINP56 - VINP7) + VINP7$	PKP5[3:0]="0111"	
KVP89	$(21R/48R) \cdot (VINP56 - VINP7) + VINP7$	PKP5[3:0]="0110"	
KVP90	$(18R/48R) \cdot (VINP56 - VINP7) + VINP7$	PKP5[3:0]="0101"	
KVP91	$(15R/48R) \cdot (VINP56 - VINP7) + VINP7$	PKP5[3:0]="0100"	
KVP92	$(12R/48R) \cdot (VINP56 - VINP7) + VINP7$	PKP5[3:0]="0011"	
KVP93	$(9R/48R) \cdot (VINP56 - VINP7) + VINP7$	PKP5[3:0]="0010"	
KVP94	$(6R/48R) \cdot (VINP56 - VINP7) + VINP7$	PKP5[3:0]="0001"	
KVP95	$(3R/48R) \cdot (VINP56 - VINP7) + VINP7$	PKP5[3:0]="0000"	

Formulas for Calculating Gamma Adjusting Voltage (Positive Polarity) 2

Grayscale voltage	Formula	Grayscale voltage	Formula
V0	VINP0	V32	$V20-(V20-V43)^*(12/23)$
V1	VINP1	V33	$V20-(V20-V43)^*(13/23)$
V2	$V1-(V1-V8)^*(28/96)$	V34	$V20-(V20-V43)^*(14/23)$
V3	$V1-(V1-V8)^*(42/96)$	V35	$V20-(V20-V43)^*(15/23)$
V4	$V1-(V1-V8)^*(60/96)$	V36	$V20-(V20-V43)^*(16/23)$
V5	$V1-(V1-V8)^*(69/96)$	V37	$V20-(V20-V43)^*(17/23)$
V6	$V1-(V1-V8)^*(78/96)$	V38	$V20-(V20-V43)^*(18/23)$
V7	$V1-(V1-V8)^*(87/96)$	V39	$V20-(V20-V43)^*(19/23)$
V8	VINP2	V40	$V20-(V20-V43)^*(20/23)$
V9	$V8-(V8-V20)^*(2/24)$	V41	$V20-(V20-V43)^*(21/23)$
V10	$V8-(V8-V20)^*(4/24)$	V42	$V20-(V20-V43)^*(22/23)$
V11	$V8-(V8-V20)^*(6/24)$	V43	VINP4
V12	$V8-(V8-V20)^*(8/24)$	V44	$V43-(V43-V55)^*(2/24)$
V13	$V8-(V8-V20)^*(10/24)$	V45	$V43-(V43-V55)^*(4/24)$
V14	$V8-(V8-V20)^*(12/24)$	V46	$V43-(V43-V55)^*(6/24)$
V15	$V8-(V8-V20)^*(14/24)$	V47	$V43-(V43-V55)^*(8/24)$
V16	$V8-(V8-V20)^*(16/24)$	V48	$V43-(V43-V55)^*(10/24)$
V17	$V8-(V8-V20)^*(18/24)$	V49	$V43-(V43-V55)^*(12/24)$
V18	$V8-(V8-V20)^*(20/24)$	V50	$V43-(V43-V55)^*(14/24)$
V19	$V8-(V8-V20)^*(22/24)$	V51	$V43-(V43-V55)^*(16/24)$
V20	VINP3	V52	$V43-(V43-V55)^*(18/24)$
V21	$V20-(V20-V43)^*(1/23)$	V53	$V43-(V43-V55)^*(20/24)$
V22	$V20-(V20-V43)^*(2/23)$	V54	$V43-(V43-V55)^*(22/24)$
V23	$V20-(V20-V43)^*(3/23)$	V55	VINP5
V24	$V20-(V20-V43)^*(4/23)$	V56	$V55-(V55-V62)^*(9/96)$
V25	$V20-(V20-V43)^*(5/23)$	V57	$V55-(V55-V62)^*(18/96)$
V26	$V20-(V20-V43)^*(6/23)$	V58	$V55-(V55-V62)^*(27/96)$
V27	$V20-(V20-V43)^*(7/23)$	V59	$V55-(V55-V62)^*(36/96)$
V28	$V20-(V20-V43)^*(8/23)$	V60	$V55-(V55-V62)^*(45/96)$
V29	$V20-(V20-V43)^*(9/23)$	V61	$V55-(V55-V62)^*(54/96)$
V30	$V20-(V20-V43)^*(10/23)$	V62	VINP6
V31	$V20-(V20-V43)^*(11/23)$	V63	VINP7

Formulas for Calculating Gamma Adjusting Voltage (Negative Polarity) 1

Pins	Formula	Fine-adjusting register value	Reference voltage
KVN0	$(45R/48R) \cdot (VINN0 - VINN12) + VINN12$	PKN0[3:0]="0000"	VINN1
KVN1	$(42R/48R) \cdot (VINN0 - VINN12) + VINN12$	PKN0[3:0]="0001"	
KVN2	$(39R/48R) \cdot (VINN0 - VINN12) + VINN12$	PKN0[3:0]="0010"	
KVN3	$(36R/48R) \cdot (VINN0 - VINN12) + VINN12$	PKN0[3:0]="0011"	
KVN4	$(33R/48R) \cdot (VINN0 - VINN12) + VINN12$	PKN0[3:0]="0100"	
KVN5	$(30R/48R) \cdot (VINN0 - VINN12) + VINN12$	PKN0[3:0]="0101"	
KVN6	$(27R/48R) \cdot (VINN0 - VINN12) + VINN12$	PKN0[3:0]="0110"	
KVN7	$(24R/48R) \cdot (VINN0 - VINN12) + VINN12$	PKN0[3:0]="0111"	
KVN8	$(21R/48R) \cdot (VINN0 - VINN12) + VINN12$	PKN0[3:0]="1000"	
KVN9	$(18R/48R) \cdot (VINN0 - VINN12) + VINN12$	PKN0[3:0]="1001"	
KVN10	$(15R/48R) \cdot (VINN0 - VINN12) + VINN12$	PKN0[3:0]="1010"	
KVN11	$(12R/48R) \cdot (VINN0 - VINN12) + VINN12$	PKN0[3:0]="1011"	
KVN12	$(9R/48R) \cdot (VINN0 - VINN12) + VINN12$	PKN0[3:0]="1100"	
KVN13	$(6R/48R) \cdot (VINN0 - VINN12) + VINN12$	PKN0[3:0]="1101"	
KVN14	$(3R/48R) \cdot (VINN0 - VINN12) + VINN12$	PKN0[3:0]="1110"	
KVN15	VINN12	PKN0[3:0]="1111"	
KVN16	$(219R/222R) \cdot (VINN12 - VINN56) + VINN56$	PKN1[3:0]="0000"	VINN2
KVN17	$(216R/222R) \cdot (VINN12 - VINN56) + VINN56$	PKN1[3:0]="0001"	
KVN18	$(213R/222R) \cdot (VINN12 - VINN56) + VINN56$	PKN1[3:0]="0010"	
KVN19	$(210R/222R) \cdot (VINN12 - VINN56) + VINN56$	PKN1[3:0]="0011"	
KVN20	$(207R/222R) \cdot (VINN12 - VINN56) + VINN56$	PKN1[3:0]="0100"	
KVN21	$(204R/222R) \cdot (VINN12 - VINN56) + VINN56$	PKN1[3:0]="0101"	
KVN22	$(201R/222R) \cdot (VINN12 - VINN56) + VINN56$	PKN1[3:0]="0110"	
KVN23	$(198R/222R) \cdot (VINN12 - VINN56) + VINN56$	PKN1[3:0]="0111"	
KVN24	$(195R/222R) \cdot (VINN12 - VINN56) + VINN56$	PKN1[3:0]="1000"	
KVN25	$(192R/222R) \cdot (VINN12 - VINN56) + VINN56$	PKN1[3:0]="1001"	
KVN26	$(189R/222R) \cdot (VINN12 - VINN56) + VINN56$	PKN1[3:0]="1010"	
KVN27	$(186R/222R) \cdot (VINN12 - VINN56) + VINN56$	PKN1[3:0]="1011"	
KVN28	$(183R/222R) \cdot (VINN12 - VINN56) + VINN56$	PKN1[3:0]="1100"	
KVN29	$(180R/222R) \cdot (VINN12 - VINN56) + VINN56$	PKN1[3:0]="1101"	
KVN30	$(177R/222R) \cdot (VINN12 - VINN56) + VINN56$	PKN1[3:0]="1110"	
KVN31	$(174R/222R) \cdot (VINN12 - VINN56) + VINN56$	PKN1[3:0]="1111"	
KVN32	$(171R/222R) \cdot (VINN12 - VINN56) + VINN56$	PKN2[3:0]="0000"	VINN3
KVN33	$(168R/222R) \cdot (VINN12 - VINN56) + VINN56$	PKN2[3:0]="0001"	
KVN34	$(165R/222R) \cdot (VINN12 - VINN56) + VINN56$	PKN2[3:0]="0010"	
KVN35	$(162R/222R) \cdot (VINN12 - VINN56) + VINN56$	PKN2[3:0]="0011"	
KVN36	$(159R/222R) \cdot (VINN12 - VINN56) + VINN56$	PKN2[3:0]="0100"	
KVN37	$(156R/222R) \cdot (VINN12 - VINN56) + VINN56$	PKN2[3:0]="0101"	
KVN38	$(153R/222R) \cdot (VINN12 - VINN56) + VINN56$	PKN2[3:0]="0110"	
KVN39	$(150R/222R) \cdot (VINN12 - VINN56) + VINN56$	PKN2[3:0]="0111"	
KVN40	$(147R/222R) \cdot (VINN12 - VINN56) + VINN56$	PKN2[3:0]="1000"	
KVN41	$(144R/222R) \cdot (VINN12 - VINN56) + VINN56$	PKN2[3:0]="1001"	
KVN42	$(141R/222R) \cdot (VINN12 - VINN56) + VINN56$	PKN2[3:0]="1010"	
KVN43	$(138R/222R) \cdot (VINN12 - VINN56) + VINN56$	PKN2[3:0]="1011"	
KVN44	$(135R/222R) \cdot (VINN12 - VINN56) + VINN56$	PKN2[3:0]="1100"	
KVN45	$(132R/222R) \cdot (VINN12 - VINN56) + VINN56$	PKN2[3:0]="1101"	
KVN46	$(129R/222R) \cdot (VINN12 - VINN56) + VINN56$	PKN2[3:0]="1110"	
KVN47	$(126R/222R) \cdot (VINN12 - VINN56) + VINN56$	PKN2[3:0]="1111"	

Pins	Formula	Fine-adjusting register value	Reference voltage
KVN48	$(96R/222R) * (VINP12 - VINP56) + VINP56$	PKP4[3:0]="1111"	VINN4
KVN49	$(93R/222R) * (VINP12 - VINP56) + VINP56$	PKP4[3:0]="1110"	
KVN50	$(90R/222R) * (VINP12 - VINP56) + VINP56$	PKP4[3:0]="1101"	
KVN51	$(87R/222R) * (VINP12 - VINP56) + VINP56$	PKP4[3:0]="1100"	
KVN52	$(84R/222R) * (VINP12 - VINP56) + VINP56$	PKP4[3:0]="1011"	
KVN53	$(81R/222R) * (VINP12 - VINP56) + VINP56$	PKP4[3:0]="1010"	
KVN54	$(78R/222R) * (VINP12 - VINP56) + VINP56$	PKP4[3:0]="1001"	
KVN55	$(75R/222R) * (VINP12 - VINP56) + VINP56$	PKP4[3:0]="1000"	
KVN56	$(72R/222R) * (VINP12 - VINP56) + VINP56$	PKP4[3:0]="0111"	
KVN57	$(69R/222R) * (VINP12 - VINP56) + VINP56$	PKP4[3:0]="0110"	
KVN58	$(66R/222R) * (VINP12 - VINP56) + VINP56$	PKP4[3:0]="0101"	
KVN59	$(63R/222R) * (VINP12 - VINP56) + VINP56$	PKP4[3:0]="0100"	
KVN60	$(60R/222R) * (VINP12 - VINP56) + VINP56$	PKP4[3:0]="0011"	
KVN61	$(57R/222R) * (VINP12 - VINP56) + VINP56$	PKP4[3:0]="0010"	
KVN62	$(54R/222R) * (VINP12 - VINP56) + VINP56$	PKP4[3:0]="0001"	
KVN63	$(51R/222R) * (VINP12 - VINP56) + VINP56$	PKP4[3:0]="0000"	
KVN64	$(48R/222R) * (VINP12 - VINP56) + VINP56$	PKP4[3:0]="1111"	VINN5
KVN65	$(45R/222R) * (VINP12 - VINP56) + VINP56$	PKP4[3:0]="1110"	
KVN66	$(42R/222R) * (VINP12 - VINP56) + VINP56$	PKP4[3:0]="1101"	
KVN67	$(39R/222R) * (VINP12 - VINP56) + VINP56$	PKP4[3:0]="1100"	
KVN68	$(36R/222R) * (VINP12 - VINP56) + VINP56$	PKP4[3:0]="1011"	
KVN69	$(33R/222R) * (VINP12 - VINP56) + VINP56$	PKP4[3:0]="1010"	
KVN70	$(30R/222R) * (VINP12 - VINP56) + VINP56$	PKP4[3:0]="1001"	
KVN71	$(27R/222R) * (VINP12 - VINP56) + VINP56$	PKP4[3:0]="1000"	
KVN72	$(24R/222R) * (VINP12 - VINP56) + VINP56$	PKP4[3:0]="0111"	
KVN73	$(21R/222R) * (VINP12 - VINP56) + VINP56$	PKP4[3:0]="0110"	
KVN74	$(18R/222R) * (VINP12 - VINP56) + VINP56$	PKP4[3:0]="0101"	
KVN75	$(15R/222R) * (VINP12 - VINP56) + VINP56$	PKP4[3:0]="0100"	
KVN76	$(12R/222R) * (VINP12 - VINP56) + VINP56$	PKP4[3:0]="0011"	
KVN77	$(9R/222R) * (VINP12 - VINP56) + VINP56$	PKP4[3:0]="0010"	
KVN78	$(6R/222R) * (VINP12 - VINP56) + VINP56$	PKP4[3:0]="0001"	
KVN79	$(3R/222R) * (VINP12 - VINP56) + VINP56$	PKP4[3:0]="0000"	
KVN80	VINP56	PKP4[3:0]="1111"	VINN6
KVN81	$(45R/48R) * (VINP56 - VINP7) + VINP7$	PKP4[3:0]="1110"	
KVN82	$(42R/48R) * (VINP56 - VINP7) + VINP7$	PKP4[3:0]="1101"	
KVN83	$(39R/48R) * (VINP56 - VINP7) + VINP7$	PKP4[3:0]="1100"	
KVN84	$(36R/48R) * (VINP56 - VINP7) + VINP7$	PKP4[3:0]="1011"	
KVN85	$(33R/48R) * (VINP56 - VINP7) + VINP7$	PKP4[3:0]="1010"	
KVN86	$(30R/48R) * (VINP56 - VINP7) + VINP7$	PKP4[3:0]="1001"	
KVN87	$(27R/48R) * (VINP56 - VINP7) + VINP7$	PKP4[3:0]="1000"	
KVN88	$(24R/48R) * (VINP56 - VINP7) + VINP7$	PKP4[3:0]="0111"	
KVN89	$(21R/48R) * (VINP56 - VINP7) + VINP7$	PKP4[3:0]="0110"	
KVN90	$(18R/48R) * (VINP56 - VINP7) + VINP7$	PKP4[3:0]="0101"	
KVN91	$(15R/48R) * (VINP56 - VINP7) + VINP7$	PKP4[3:0]="0100"	
KVN92	$(12R/48R) * (VINP56 - VINP7) + VINP7$	PKP4[3:0]="0011"	
KVN93	$(9R/48R) * (VINP56 - VINP7) + VINP7$	PKP4[3:0]="0010"	
KVN94	$(6R/48R) * (VINP56 - VINP7) + VINP7$	PKP4[3:0]="0001"	
KVN95	$(3R/48R) * (VINP56 - VINP7) + VINP7$	PKP4[3:0]="0000"	

Formulas for Calculating Gamma Adjusting Voltage (Negative Polarity) 2

Grayscale voltage	Formula	Grayscale voltage	Formula
V0	VINNO	V32	$V20-(V20-V43)^*(12/23)$
V1	VINN1	V33	$V20-(V20-V43)^*(13/23)$
V2	$V1-(V1-V8)^*(28/96)$	V34	$V20-(V20-V43)^*(14/23)$
V3	$V1-(V1-V8)^*(42/96)$	V35	$V20-(V20-V43)^*(15/23)$
V4	$V1-(V1-V8)^*(60/96)$	V36	$V20-(V20-V43)^*(16/23)$
V5	$V1-(V1-V8)^*(69/96)$	V37	$V20-(V20-V43)^*(17/23)$
V6	$V1-(V1-V8)^*(78/96)$	V38	$V20-(V20-V43)^*(18/23)$
V7	$V1-(V1-V8)^*(87/96)$	V39	$V20-(V20-V43)^*(19/23)$
V8	VINN2	V40	$V20-(V20-V43)^*(20/23)$
V9	$V8-(V8-V20)^*(2/24)$	V41	$V20-(V20-V43)^*(21/23)$
V10	$V8-(V8-V20)^*(4/24)$	V42	$V20-(V20-V43)^*(22/23)$
V11	$V8-(V8-V20)^*(6/24)$	V43	VINN4
V12	$V8-(V8-V20)^*(8/24)$	V44	$V43-(V43-V55)^*(2/24)$
V13	$V8-(V8-V20)^*(10/24)$	V45	$V43-(V43-V55)^*(4/24)$
V14	$V8-(V8-V20)^*(12/24)$	V46	$V43-(V43-V55)^*(6/24)$
V15	$V8-(V8-V20)^*(14/24)$	V47	$V43-(V43-V55)^*(8/24)$
V16	$V8-(V8-V20)^*(16/24)$	V48	$V43-(V43-V55)^*(10/24)$
V17	$V8-(V8-V20)^*(18/24)$	V49	$V43-(V43-V55)^*(12/24)$
V18	$V8-(V8-V20)^*(20/24)$	V50	$V43-(V43-V55)^*(14/24)$
V19	$V8-(V8-V20)^*(22/24)$	V51	$V43-(V43-V55)^*(16/24)$
V20	VINN3	V52	$V43-(V43-V55)^*(18/24)$
V21	$V20-(V20-V43)^*(1/23)$	V53	$V43-(V43-V55)^*(20/24)$
V22	$V20-(V20-V43)^*(2/23)$	V54	$V43-(V43-V55)^*(22/24)$
V23	$V20-(V20-V43)^*(3/23)$	V55	VINN5
V24	$V20-(V20-V43)^*(4/23)$	V56	$V55-(V55-V62)^*(9/96)$
V25	$V20-(V20-V43)^*(5/23)$	V57	$V55-(V55-V62)^*(18/96)$
V26	$V20-(V20-V43)^*(6/23)$	V58	$V55-(V55-V62)^*(27/96)$
V27	$V20-(V20-V43)^*(7/23)$	V59	$V55-(V55-V62)^*(36/96)$
V28	$V20-(V20-V43)^*(8/23)$	V60	$V55-(V55-V62)^*(45/96)$
V29	$V20-(V20-V43)^*(9/23)$	V61	$V55-(V55-V62)^*(54/96)$
V30	$V20-(V20-V43)^*(10/23)$	V62	VINN6
V31	$V20-(V20-V43)^*(11/23)$	V63	VINN7

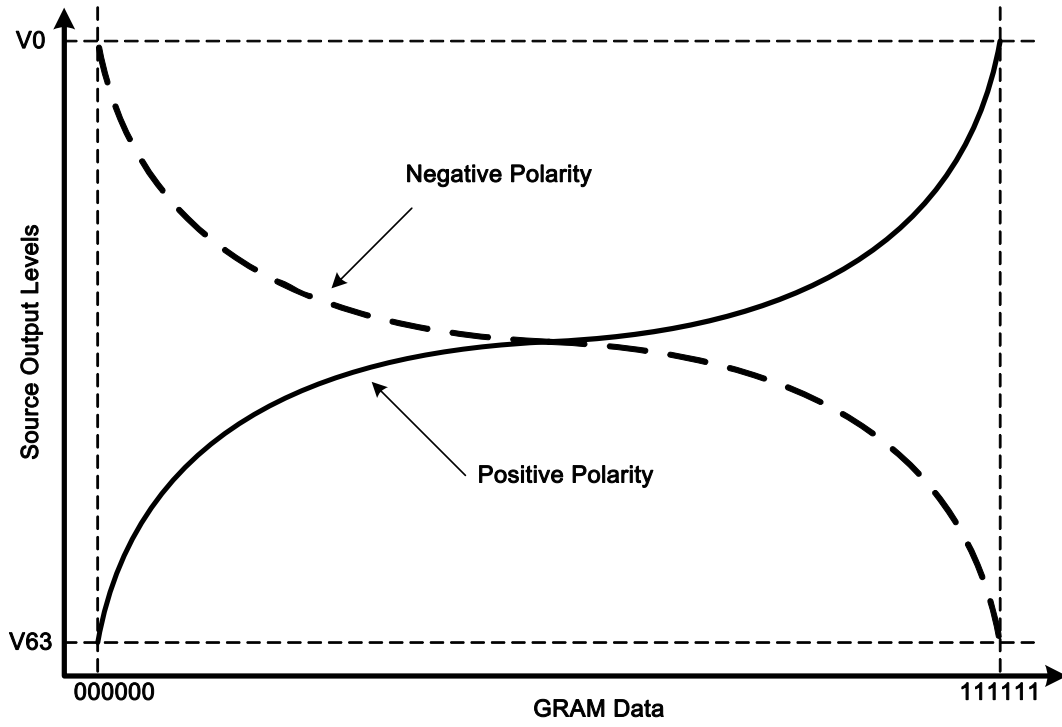


Figure38 Relationship between GRAM Data and Output Level

13. Application

13.1. Configuration of Power Supply Circuit

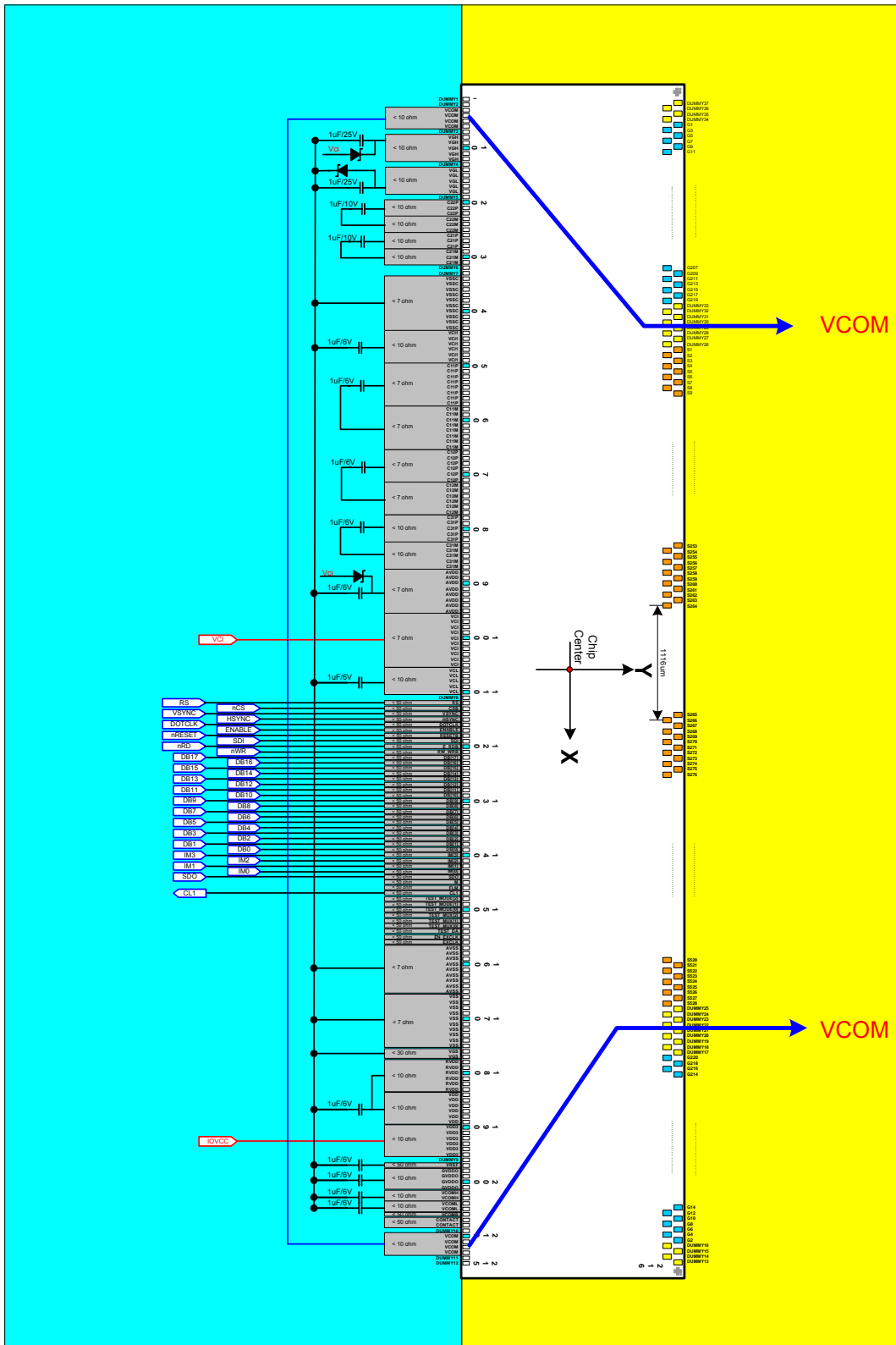


Figure39 Power Supply Circuit Block

The following table shows specifications of external elements connected to the ILI9225's power supply circuit.

Items	Recommended Specification	Pin connection
Capacity 1 μ F (B characteristics)	6V	VREG1OUT, VCI1, VDDD, VCL, VCOMH, VCOML, C11A/B, C12A/B
	10V	DDVDH, C21A/B, C22A/B
	25V	VGH, VGL
Schottky diode	$V_F < 0.4V/20mA$ at 25°C, $V_R \geq 30V$ (Recommended diode: HSC226)	(GND – VGL), (Vci – VGH), (Vci – DDVDH)
Variable resistor	> 200 k Ω	VCOMR

13.2. Display ON/OFF Sequence

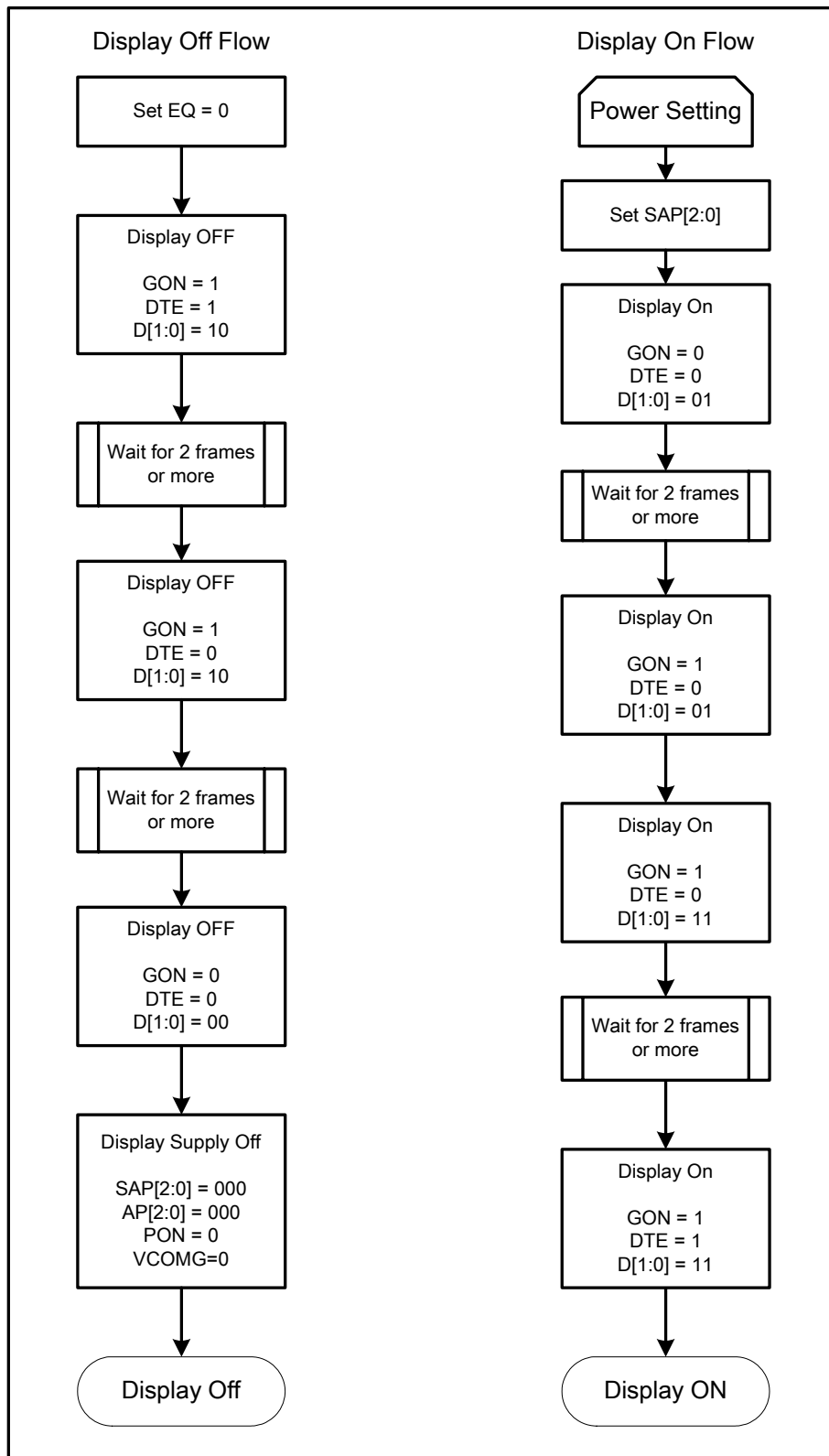


Figure40 Display On/Off Register Setting Sequence

13.3. Standby and Sleep Mode

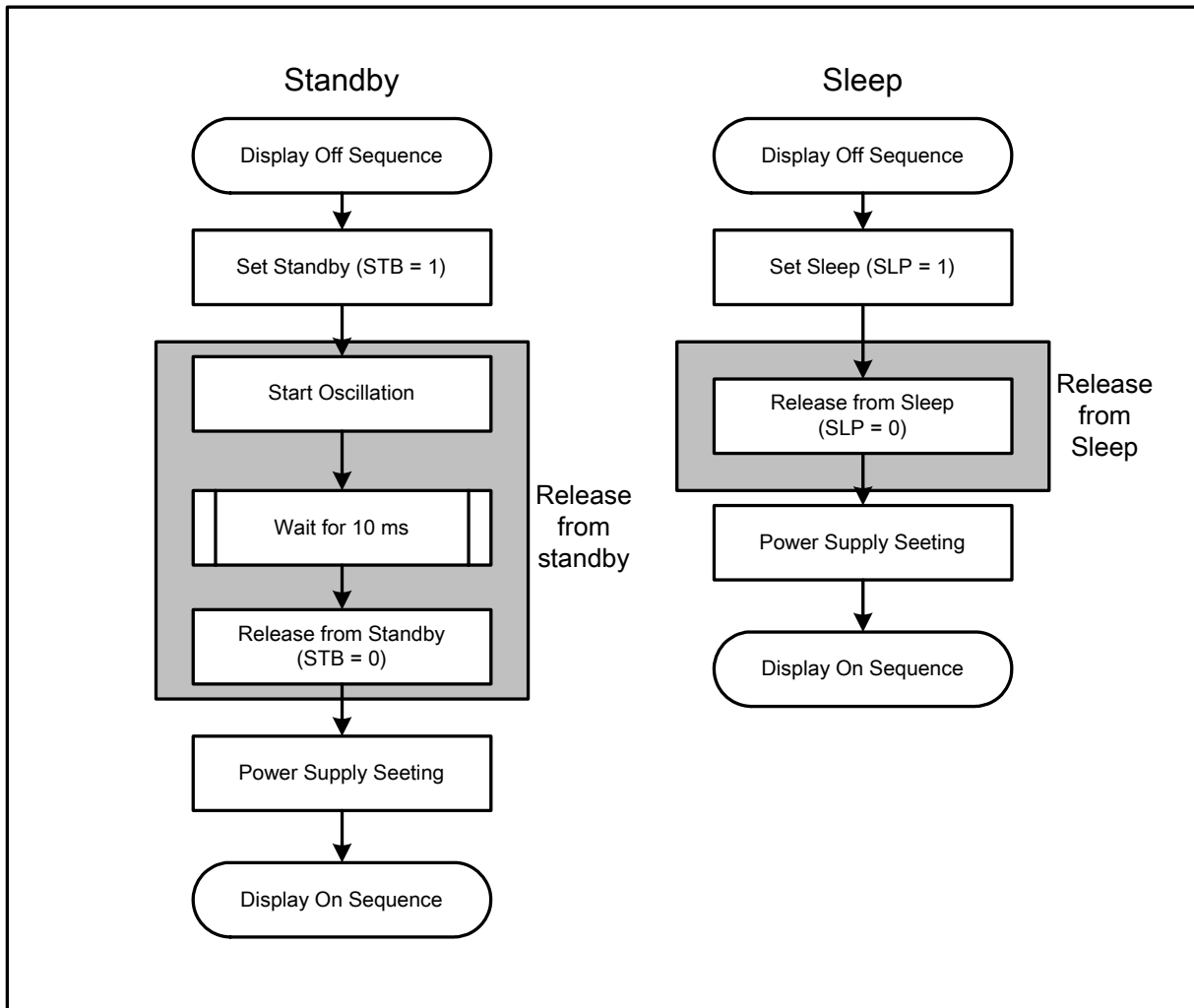


Figure41 Standby/Sleep Mode Register Setting Sequence

13.4. Power Supply Configuration

When supplying and cutting off power, follow the sequence below. The setting time for oscillators, step-up circuits and operational amplifiers depends on external resistance and capacitance.

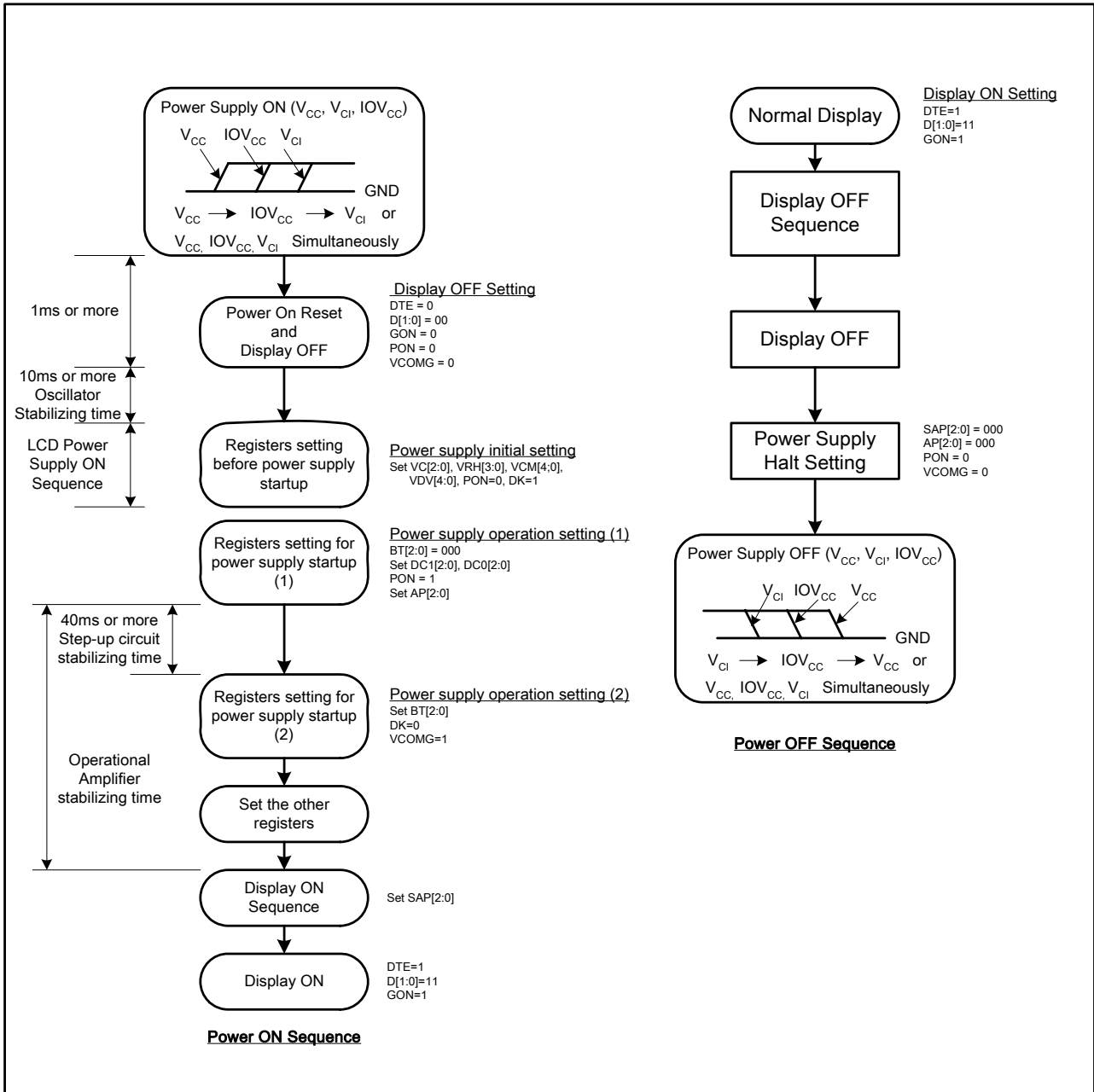


Figure42 Power Supply ON/OFF Sequence

13.5. Voltage Generation

The pattern diagram for setting the voltages and the waveforms of the voltages of the ILI9225 are as follows.

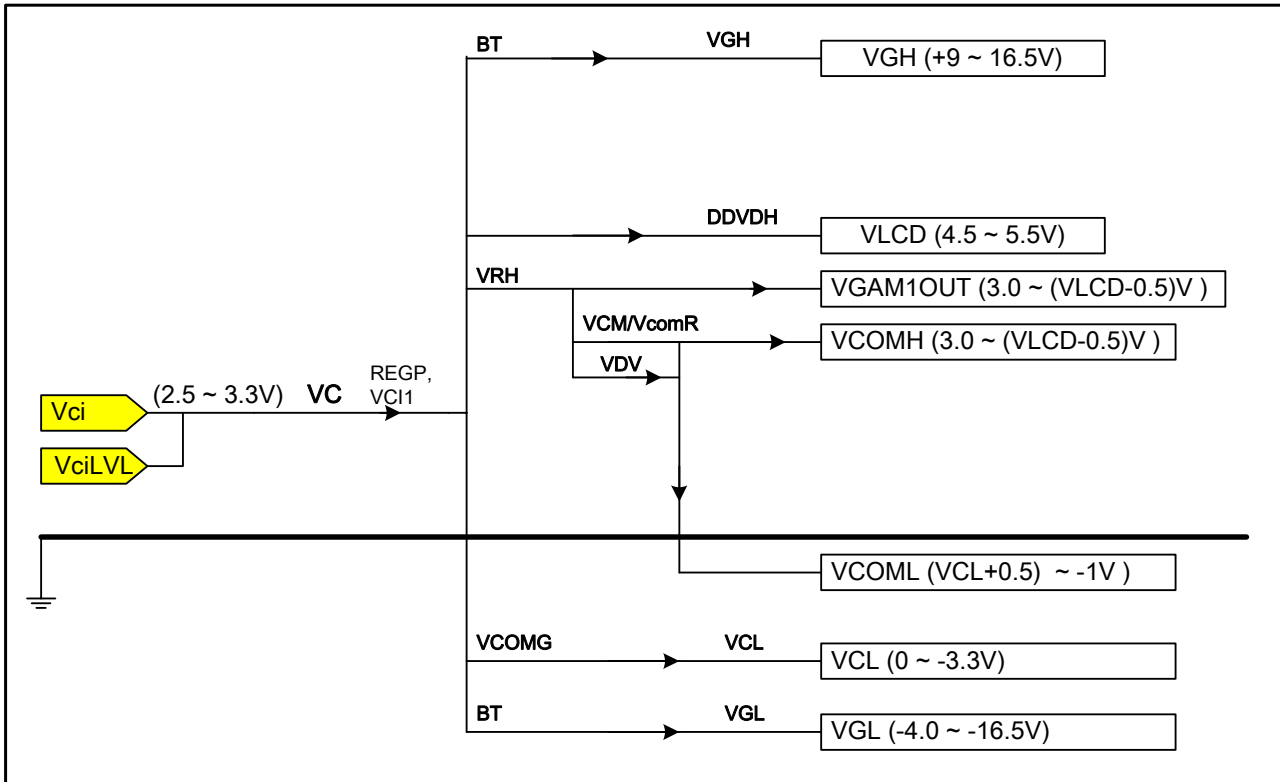


Figure43 Voltage Configuration Diagram

Note: The DDVDH, VGH, VGL, and VCL output voltage levels are lower than their theoretical levels (ideal voltage levels) due to current consumption at respective outputs. The voltage levels in the following relationships $(DDVDH - VREG1OUT) > 0.5V$, $(VCOML1 - VCL) > 0.5V$, $(VCOML2 - VCL) > 0.5V$ are the actual voltage levels. When the alternating cycles of VCOM are set high (e.g. the polarity inverts every line cycle), current consumption is large. In this case, check the voltage before use.

14. Electrical Characteristics

14.1. Absolute Maximum Ratings

The absolute maximum rating is listed on following table. When ILI9225 is used out of the absolute maximum ratings, the ILI9225 may be permanently damaged. To use the ILI9225 within the following electrical characteristics limit is strongly recommended for normal operation. If these electrical characteristic conditions are exceeded during normal operation, the ILI9225 will malfunction and cause poor reliability.

Item	Symbol	Unit	Value	Note
Power supply voltage (1)	IOVCC	V	-0.3 ~ + 4.6	1, 2
Power supply voltage (1)	VCI - GND	V	-0.3 ~ + 4.6	1, 4
Power supply voltage (1)	DDVDH - GND	V	-0.3 ~ + 6.0	1, 4
Power supply voltage (1)	GND -VCL	V	-0.3 ~ + 4.6	1
Power supply voltage (1)	DDVDH - VCL	V	-0.3 ~ + 9.0	1, 5
Power supply voltage (1)	VGH - GND	V	-0.3 ~ + 18.5	1, 5
Power supply voltage (1)	GND - VGL	V	-0.3 ~ + 18.5	1, 6
Input voltage	Vt	V	-0.3 ~ VCI+ 0.3	1
Operating temperature	Topr	°C	-40 ~ + 85	8, 9
Storage temperature	Tstg	°C	-55 ~ + 110	8, 9

Notes:

1. VCI,GND must be maintained
2. (High) VCI ≥ GND (Low), (High) IOVCC ≥ GND (Low).
3. Make sure (High) VCI ≥ GND (Low).
4. Make sure (High) DDVDH ≥ ASSD (Low).
5. Make sure (High) DDVDH ≥ VCL (Low).
6. Make sure (High) VGH ≥ ASSD (Low).
7. Make sure (High) ASSD ≥ VGL (Low).
8. For die and wafer products, specified up to 85°C.
9. This temperature specifications apply to the TCP package

14.2. DC Characteristics

(VCI = 2.50 ~ 3.30V, IOVCC = 1.65 ~ 3.30V, Ta = -40 ~ 85 °C)

Item	Symbol	Unit	Test Condition	Min.	Typ.	Max.	Note
Input high voltage	V _{IH}	V	IOVCC= 1.65 ~ 3.3V	0.8*IOVCC	-	IOVCC	-
Input low voltage	V _{IL}	V	IOVCC= 1.65 ~ 3.3V	-0.3	-	0.2*IOVCC	-
Output high voltage(1) (DB0-17 Pins)	V _{OH1}	V	IOH = -0.1 mA	0.8*IOVCC	-	-	-
Output low voltage (DB0-17 Pins)	V _{OL1}	V	IOVCC=1.65~3.3V VCI= 2.5 ~ 3.3V IOL = 0.1mA	-	-	0.2*IOVCC	-
I/O leakage current	I _{LI}	μA	Vin = 0 ~ IOVCC	-0.1	-	0.1	-
Current consumption during normal operation (VCI – GND)	I _{OP}	μA	VCI=2.8V , Ta=25°C , fOSC = 177KHz (176 Line) GRAM data = 0000h	-	100 (IOVCC)	-	-
Current consumption during standby mode (VCI – GND)	I _{ST}	μA	VCI=2.8V , Ta=25°C	-	5	10	-
LCD Drive Power Supply Current (DDVDH-GND)	ILCD	mA	VCI=2.8V , VREG1OUT=5.0V DDVDH=5.5V , fOSC = 177KHz (160 line) , Ta=25°C, GRAM data = 0000h, REV="0", SAP="001", ON4-0="0", OP4-0="0", MP52-00="0", MN52-00="0", CP12-00="0" CN12-00="0"	-	3.0	-	-
LCD Driving Voltage (DDVDH-GND)	DDVDH	V	-	4.5	-	6	-
Output voltage deviation		mV	-	-	5	-	-
Dispersion of the Average Output Voltage	V	mV	-	-10	-	10	-

14.3. Clock Characteristics

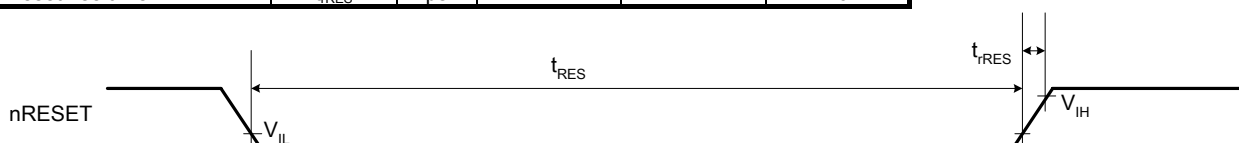
VCI = 2.5 ~ 3.30V, IOVCC = 1.65 ~ 3.30V

Item	Symbol	Test Condition	Min.	Typ.	Max.	Unit
External Clock Frequency	f _{cp}	VCI = 2.5 ~ 3.3V	275	335	395	KHz
External Clock Duty	f _{duty}	VCI = 2.5 ~ 3.3V	45	50	55	
External Clock Rising Time	Trcp	VCI = 2.5 ~ 3.3V	-	-	0.2	μs
External Clock Falling Time	Tfcp	VCI = 2.5 ~ 3.3V	-	-	0.2	μs
RC oscillation clock	f _{OSC}	Rf = 130KΩ, VCC = 2.8V	275	335	395	KHz

14.4. Reset Timing Characteristics

Reset Timing Characteristics (VCI = 2.5 ~ 3.3 V, IOVCC = 1.65 ~ 3.3V)

Item	Symbol	Unit	Min.	Typ.	Max.
Reset low-level width	t _{RES}	ms	1	-	-
Reset rise time	t _{RES}	μs	-	-	10



14.5. LCD Driver Output Characteristics

Item	Symbol	Timing diagram	Min.	Typ.	Max.	Unit
Driver output delay time	t _{dd}	VCI=2.8V, DDVDH=5.5V, VREG1OUT=5.0V, RC oscillation: fosc =315kHz (220 lines), Ta=25°C REV=0, SAP=010, AP=010, 0N14-00=0, 0P14-00=0, MP52-00=0, MN52-00=0, CP12-00=0, CN12-00=0, Load resistance R=10kΩ, Load capacitance C=20pF • when the level changes from a same grayscale level on all pins • Time to reach +/-35mV when VCOM polarity inverts	-	35	-	μs

14.6. AC Characteristics

14.6.1. i80-System Interface Timing Characteristics

Normal Write Mode (IOVCC = 1.65~3.3V, VCI=2.5~3.3V)

Item	Symbol	Unit	Min.	Typ.	Max.	Test Condition
Bus cycle time	Write	t _{CYCW}	ns	100	-	-
	Read	t _{CYCR}	ns	300	-	-
Write low-level pulse width	PW _{LW}	ns	50	-	500	-
Write high-level pulse width	PW _{HW}	ns	50	-	-	-
Read low-level pulse width	PW _{LR}	ns	150	-	-	-
Read high-level pulse width	PW _{HR}	ns	150	-	-	-
Write / Read rise / fall time	t _{WRr} /t _{WRf}	ns	-	-	25	-
Setup time	Write (RS to nCS, E/nWR)	t _{AS}	ns	10	-	-
	Read (RS to nCS, RW/nRD)			5	-	-
Address hold time	t _{AH}	ns	5	-	-	-
Write data set up time	t _{DSW}	ns	10	-	-	-
Write data hold time	t _H	ns	15	-	-	-
Read data delay time	t _{DDR}	ns	-	-	100	-
Read data hold time	t _{DHR}	ns	5	-	-	-

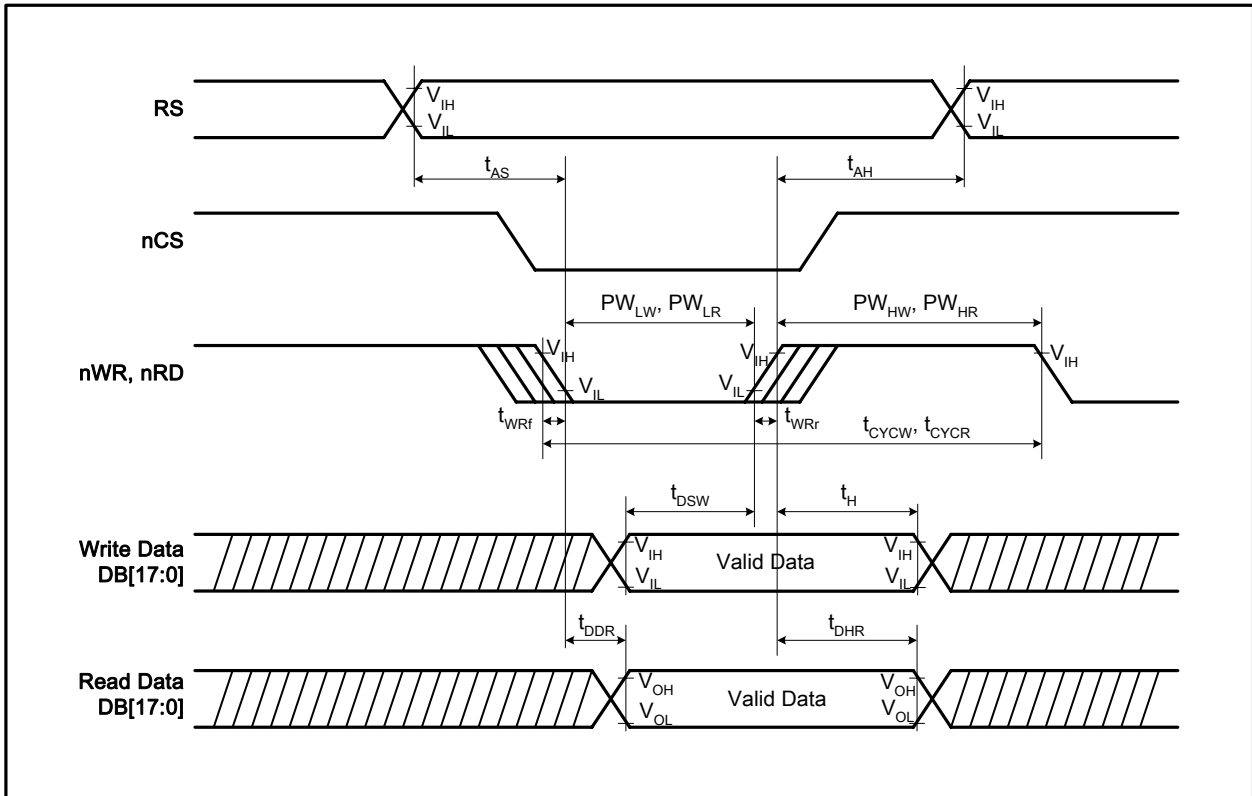


Figure44 i80-System Bus Timing

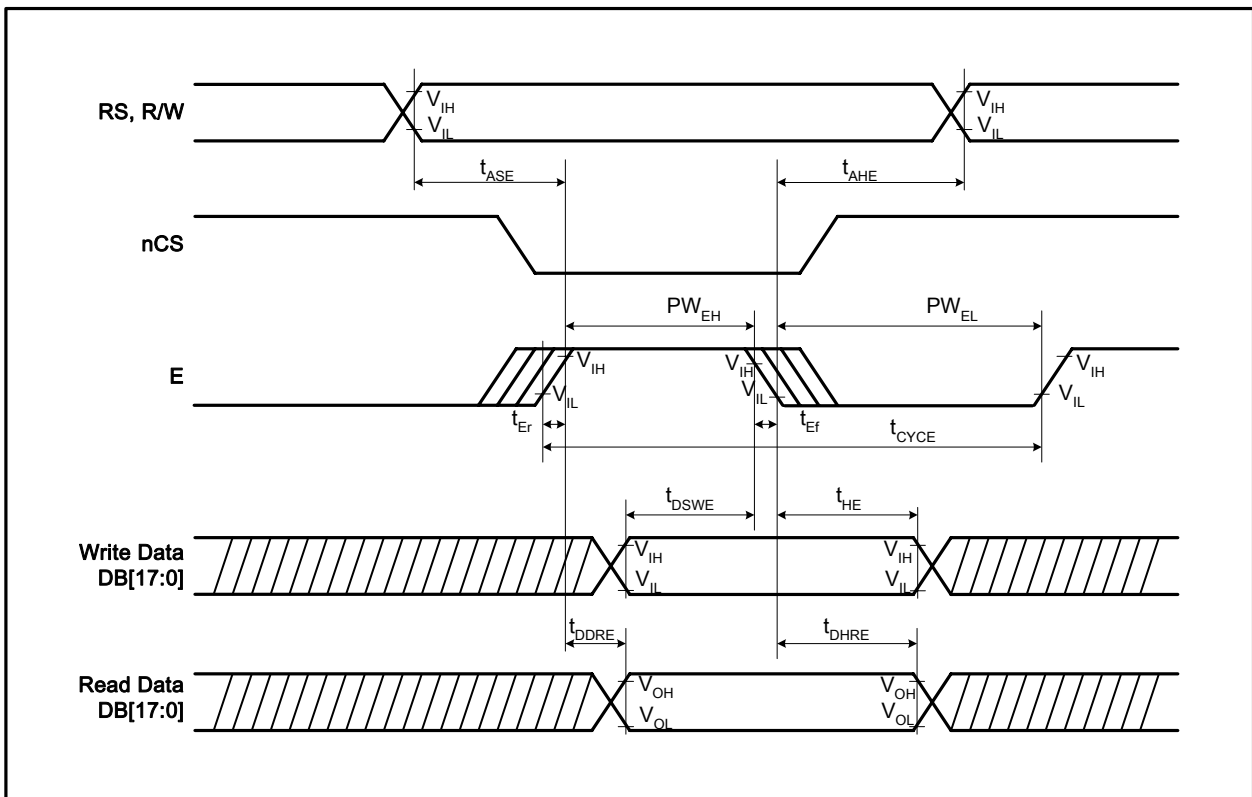


Figure45 M68-System Bus Timing

14.6.2. M68-System Interface Timing Characteristics

Normal Write Mode (IOVCC = 1.65~3.3V, VCI=2.5~3.3V)

Item	Symbol	Unit	Min.	Typ.	Max.	Test Condition
Bus cycle time	Write	t_{CYCEW}	ns	100	-	-
	Read	t_{CYCER}	ns	300	-	-
Write low-level pulse width	PW_{ELW}	ns	50	-	500	-
Write high-level pulse width	PW_{EHW}	ns	50	-	-	-
Read low-level pulse width	PW_{ELR}	ns	150	-	-	-
Read high-level pulse width	PW_{EHR}	ns	150	-	-	-
Write / Read rise / fall time	t_{WRr}/t_{WRf}	ns	-	-	25	-
Setup time	Write (RS to nCS, E/nWR)	t_{ASE}	ns	10	-	-
	Read (RS to nCS, RW/nRD)			10	-	-
Address hold time	t_{AHE}	ns	5	-	-	
Write data set up time	t_{DSWE}	ns	10	-	-	
Write data hold time	t_{HE}	ns	15	-	-	
Read data delay time	t_{DDRE}	ns	-	-	100	
Read data hold time	t_{DHRE}	ns	5	-	-	

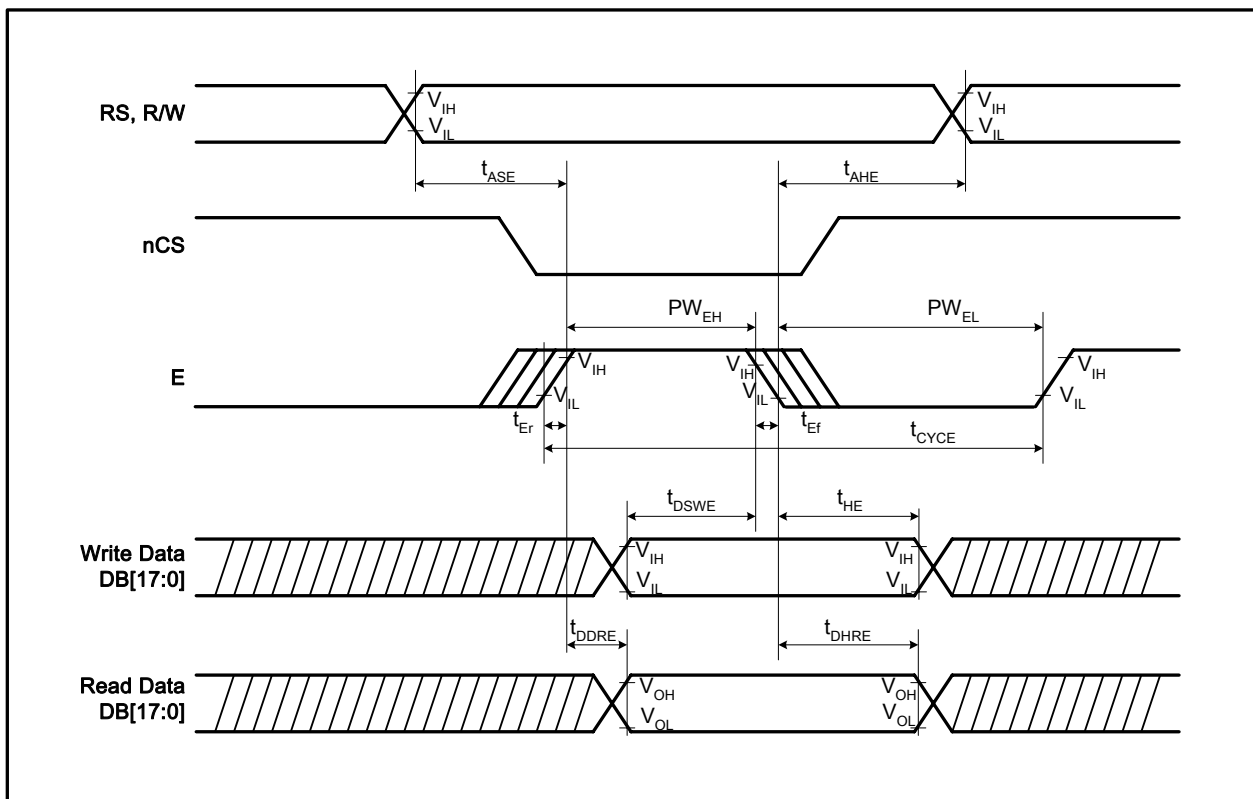


Figure46 M68-System Interface Timing

14.6.3. Serial Data Transfer Interface Timing Characteristics

(IOVCC= 1.653.3V and VCI=2.5~3.3V)

Item	Symbol	Unit	Min.	Typ.	Max.	Test Condition
Serial clock cycle time	Write (received)	t_{SCYC}	ns	20	-	-
	Read (transmitted)	t_{SCYC}	ns	40	-	-
Serial clock high – level pulse width	Write (received)	t_{SCH}	ns	8	-	-
	Read (transmitted)	t_{SCH}	ns	18	-	-
Serial clock low – level pulse width	Write (received)	t_{SCL}	ns	8	-	-
	Read (transmitted)	t_{SCL}	ns	18	-	-
Serial clock rise / fall time	t_{SCr}, t_{SCf}	ns	-	-	5	
Chip select set up time	t_{CSU}	ns	10	-	-	
Chip select hold time	t_{CH}	ns	10	-	-	
Serial input data set up time	t_{SISU}	ns	5	-	-	
Serial input data hold time	t_{SIH}	ns	5	-	-	
Serial output data set up time	t_{SOD}	ns	-	-	100	
Serial output data hold time	t_{SOH}	ns	10	-	-	

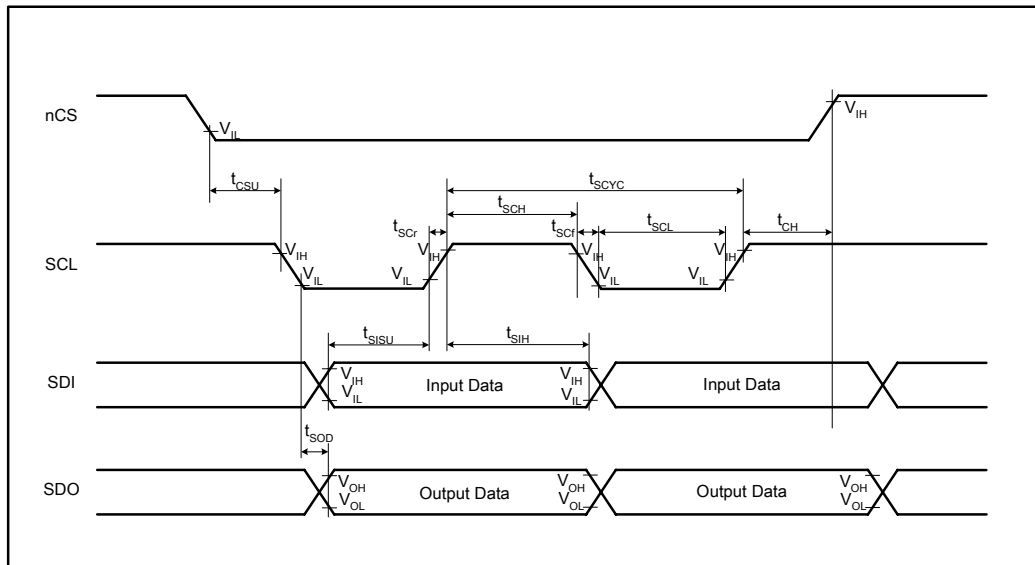


Figure47 SPI System Bus Timing

14.6.4. RGB Interface Timing Characteristics

18/16-bit Bus RGB Interface Mode (IOVCC = 1.65 ~ 3.3V, VCI=2.5~3.3V)

Item	Symbol	Unit	Min.	Typ.	Max.	Test Condition
VSYNC/HSYNC setup time	t_{SYNCS}	ns	0	-	-	-
ENABLE setup time	t_{ENS}	ns	10	-	-	-
ENABLE hold time	t_{ENH}	ns	10	-	-	-
PD Data setup time	t_{PDS}	ns	10	-	-	-
PD Data hold time	t_{PDH}	ns	40	-	-	-
DOTCLK high-level pulse width	PWDH	ns	40	-	-	-
DOTCLK low-level pulse width	PWDL	ns	40	-	-	-
DOTCLK cycle time	t_{CYCD}	ns	100	-	-	-
DOTCLK, VSYNC, HSYNC, rise/fall time	t_{rghr}, t_{rghf}	ns	-	-	25	-

6-bit Bus RGB Interface Mode (IOVCC = 1.65 ~ 3.3V, VCI=2.5~3.3V)

Item	Symbol	Unit	Min.	Typ.	Max.	Test Condition
VSYNC/HSYNC setup time	t_{SYNCS}	ns	0	-	-	-
ENABLE setup time	t_{ENS}	ns	10	-	-	-
ENABLE hold time	t_{ENH}	ns	10	-	-	-
PD Data setup time	t_{PDS}	ns	10	-	-	-
PD Data hold time	t_{PDH}	ns	30	-	-	-
DOTCLK high-level pulse width	PWDH	ns	30	-	-	-
DOTCLK low-level pulse width	PWDL	ns	30	-	-	-
DOTCLK cycle time	t_{CYCD}	ns	80	-	-	-
DOTCLK, VSYNC, HSYNC, rise/fall time	t_{rghr}, t_{rghf}	ns	-	-	25	-

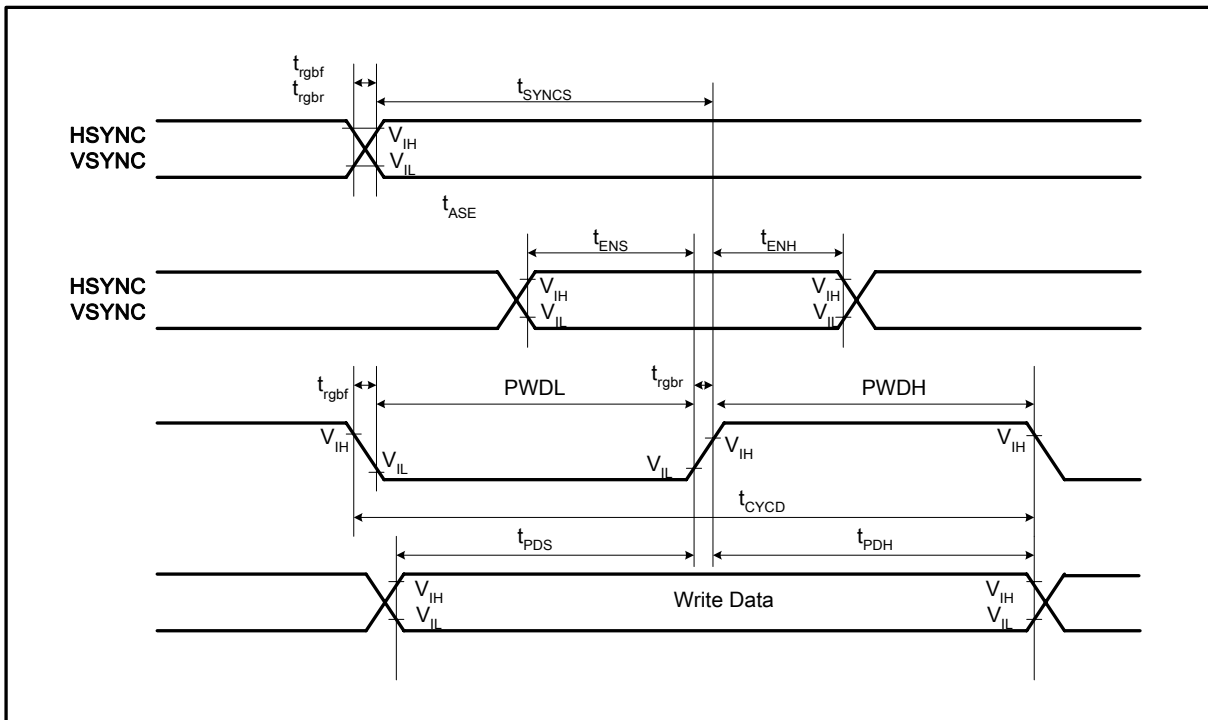


Figure48 RGB Interface Timing

15. Revision History

Version No.	Date	Page	Description
V0.14	2007/9/1		Update pad location and alignment mark location
V0.15	2007/9/3		Modify the alignment mark location
V0.16	2007/9/13		Modify the NV memory register R6xh
V0.19	2007/11/22	58,	Modify NL[4:0]
		69	Modify DC1~3[1:0]
		71	Modify D8/9/10/12
		72	Modify D0
		73	Add R20h
		79	Modify Common Control Table
V0.21	2007/12/25	82	Modify the NV Programgin Flow
V0.22	2008/01/23	13	Modify the test pin connection description (TEST_MUX[2:0], TEST_MODE[2:0]).